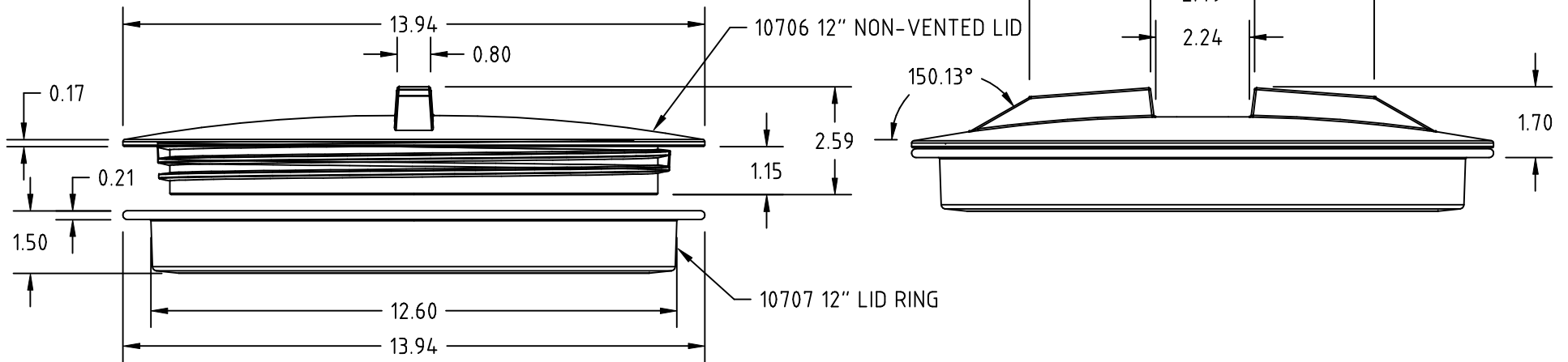

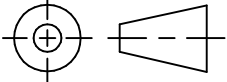


© DEN HARTOG INDUSTRIES, INC.

Copyright. All information furnished within this document, electronic file or design correspondence is the property of Den Hartog Industries, Inc. and shall not be used, disclosed to others or copied without the expressed written consent of Den Hartog Industries, Inc.



				DRAWN / DATE REH / 7/17/02		MATERIAL		 INJECTION MOLDING A DIVISION OF DEN HARTOG INDUSTRIES, INC. 4010 HOSPERS DRIVE S., BOX 425, HOSPERS, IOWA 51238-0425	
				APPRD. / DATE GWC 4/23/07					
A	UPDATE LOGO AND TOL.	CCN 1296	4/20/07	GWC			CLIENT / DESCRIPTION		
REV	DESCRIPTION	DATE	APPRD				12" NON-VENTED LID ASSEMBLY		
ALL DIMENSIONS ARE IN DECIMAL INCHES TOLERANCES UNLESS OTHERWISE SPECIFIED .XXX +/- .016 .XX +/- .032 .X +/- .064					THIRD ANGLE PROJECTION ANSI 14.5M 		NOTES:		
							SCALE	PART NO.	
							N.S.	10526	