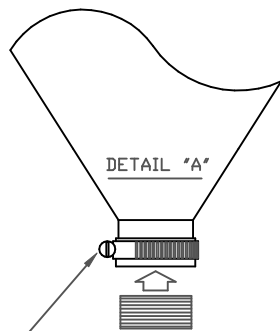
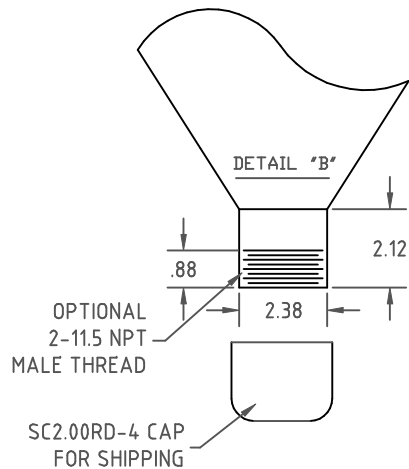
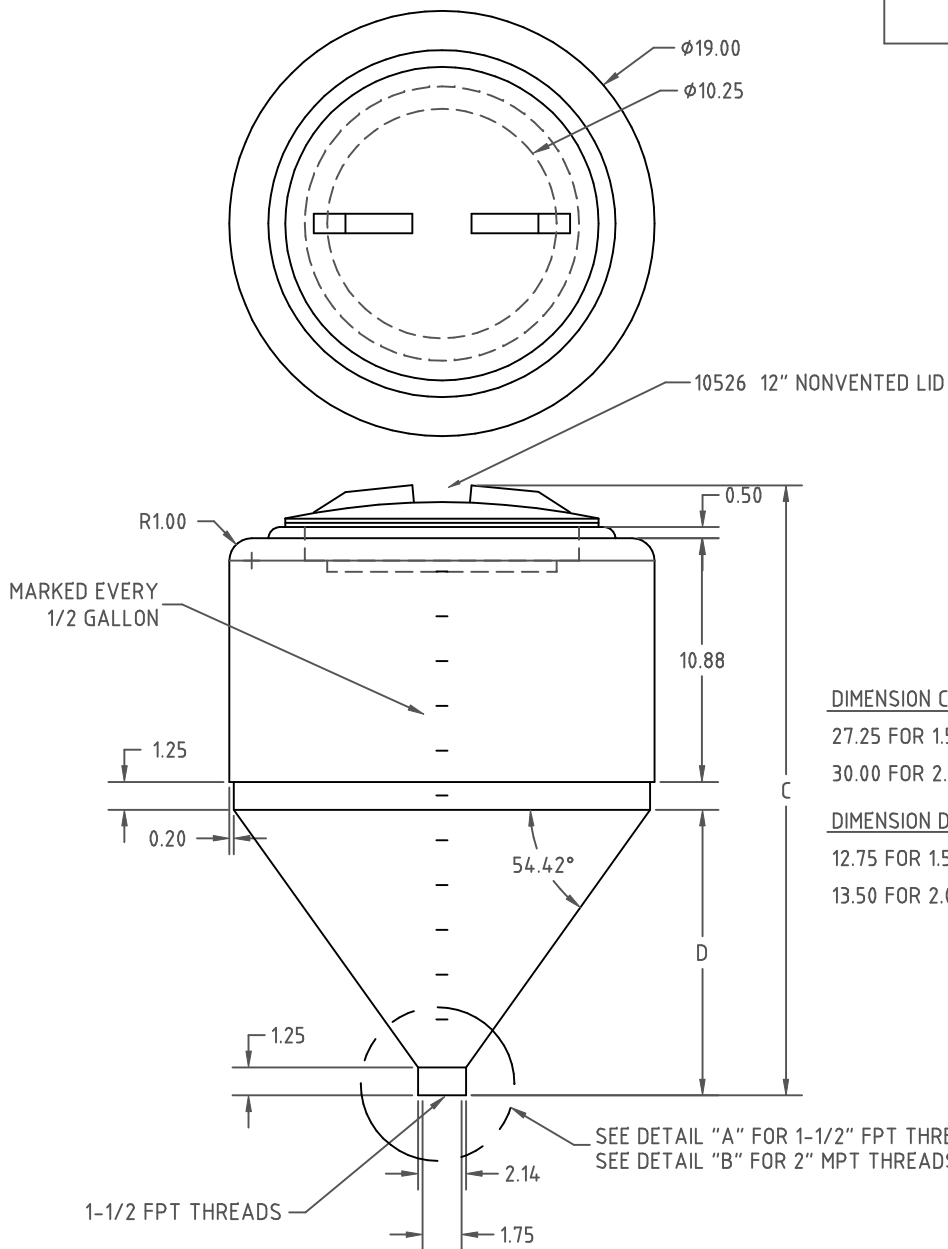


Copyright. All information furnished within this document, electronic file or design correspondence is the property of Den Hartog industries, Inc. and shall not be used, disclosed to others or copied without the expressed written consent of Den Hartog Industries, Inc.



TIGHTEN TO SECURE PLUG FOR SHIPMENT. CLAMP MUST BE USED TO TIGHTEN AGAINST OUTLET FITTING INSTALLED BY CUSTOMER.

① INSTALL 10075 PLUG FOR SHIPMENT



DIMENSION C  
27.25 FOR 1.5 NPT OUTLET  
30.00 FOR 2.00 NPT OUTLET

DIMENSION D  
12.75 FOR 1.5 NPT OUTLET  
13.50 FOR 2.00 NPT OUTLET

				DRAWN / DATE DHJ 2/7/07	MATERIAL MEDIUM DENSITY POLYETHYLENE
B	ADDED 2 INCH MALE THREAD OPTION	DHJ 8/15/11	2269	APPRD. / DATE REH 6/29/06	
A	10075 PLUG WAS 19412 PLUG	ADH 1/28/08	1579		
REV	DESCRIPTION	BY / DATE	CCN		

SHOT WEIGHT: 10 LBS.  
SHIPPING WEIGHT: 12 LBS.  
FINISH:

NOTES:  
1. .20 WALL



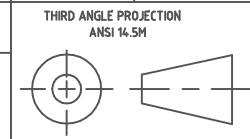
**Den Hartog**  
INDUSTRIES, INC.

Ace Roto-Mold Injection Molding Blow Molding Sowjoy  
4010 HOSPERS DRIVE S. BOX 425, HOSPERS, IOWA 51238-0425

ALL DIMENSIONS ARE IN DECIMAL INCHES  
TOLERANCES UNLESS OTHERWISE SPECIFIED

**POLYETHYLENE**  
±1% @ 68° F

**METAL**  
DECIMAL ± .125"  
FRACTION ± 1/4"  
ANGLE ± 1°



DESCRIPTION	15 GALLON INDUCTOR FULL DRAIN	
SCALE	N.S.	PART NO. INFD15-19