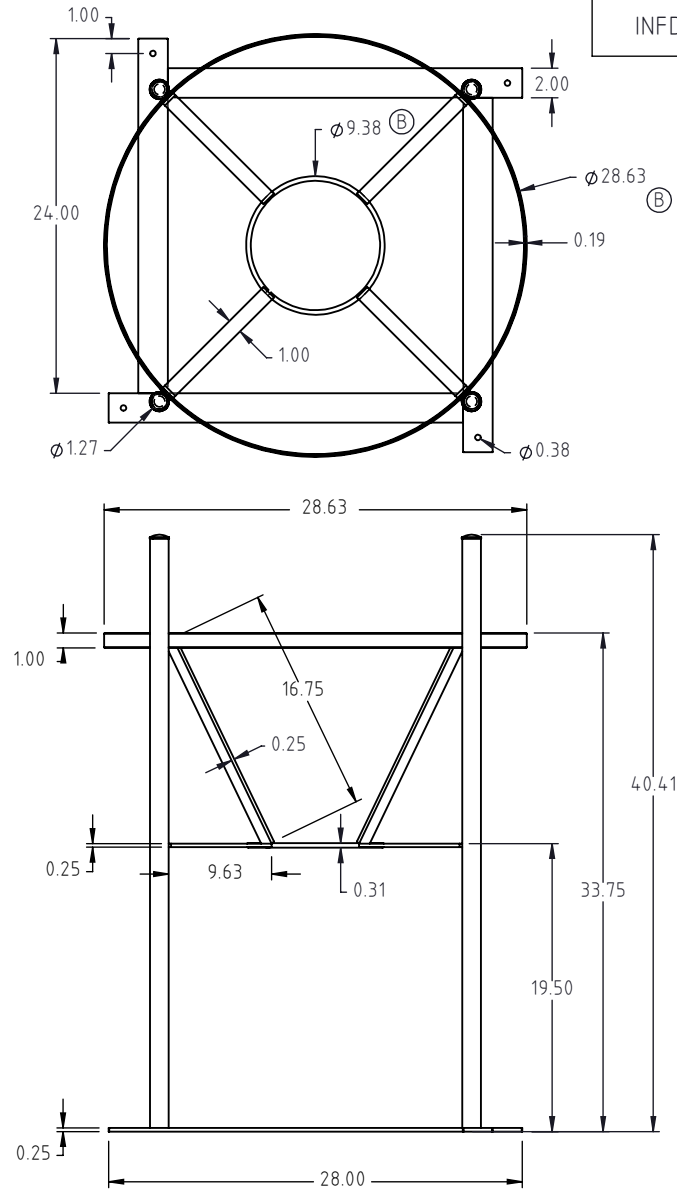
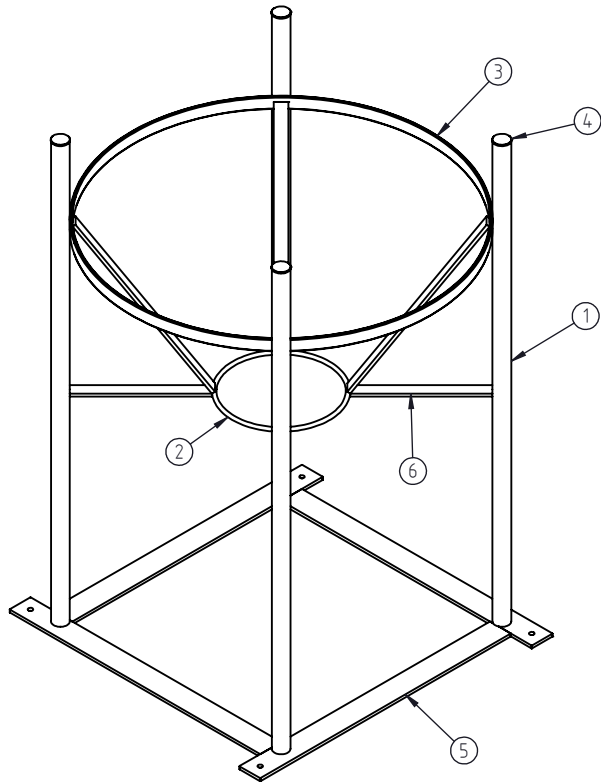


© DEN HARTOG INDUSTRIES, INC.

Copyright. All information furnished within this document, electronic file or design correspondence is the property of Den Hartog industries, Inc. and shall not be used, disclosed to others or copied without the expressed written consent of Den Hartog Industries, Inc.

KEY	PART NUMBER	DESCRIPTION	QTY.
1	INFD40-85-ST-1	IN, STAND 40/85/110 LEG PIPE	4
2	IN40-85-ST-2	IN, 40/85/110 CENTER RING	1
3	IN40-85-ST-3	IN, STAND 40/85/110 GAL RING	1
4	12583	PIPE PLUG, 1" BLACK	4
5	IN40-85-ST-5	IN, STAND 40/85/110 BASE STRAP	4
6	IN40-85-ST-8	IN/INFD, SUPPORT SUB ASSEMBLY	4



INFD40-85-ST

B

B	UPDATED SHEET FORMAT & LAYOUT. 28.63 WAS 28.5. 9.38 WAS 9.00. 45.0LBS WAS 49.0LBS.	SRA	8/30/24	4633
A	IN40-85-ST-6 AND 7 COMBINED INTO SUBASSEMBLY IN40-85-ST-8	ADH	10/26/2016	3311
REV.	DESCRIPTION	BY	DATE	CCN

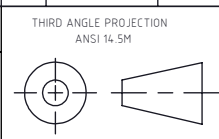
DRAWN / DATE	MATERIAL :
ADH 11/20/2015	SEE COMPONENTS
APPRD. / DATE	
REH 12/14/2015	

Den Hartog INDUSTRIES, INC.
 Ace Roto-Mold • Injection Molding • Blow Molding • Sowjoy
 4010 HOSPERS DRIVE S. BOX 425, HOSPERS, IOWA 51238-0425

ALL DIMENSIONS ARE IN DECIMAL INCHES TOLERANCES UNLESS OTHERWISE SPECIFIED

POLYETHYLENE
 ±1% @ 68°F

METAL
 DECIMAL ± .125"
 FRACTION ± 1/4"
 ANGLE ± 1°



SHOT WEIGHT:	NOTES:
SHIPPING WEIGHT:	
45.0LBS	
FINISH:	
Powder Coat	

DESCRIPTION	IN, STAND 40/85/110 GAL FULL DRAIN	
SCALE	N.S.	
PART NO.	INFD40-85-ST	
SHEET	1 OF 1	