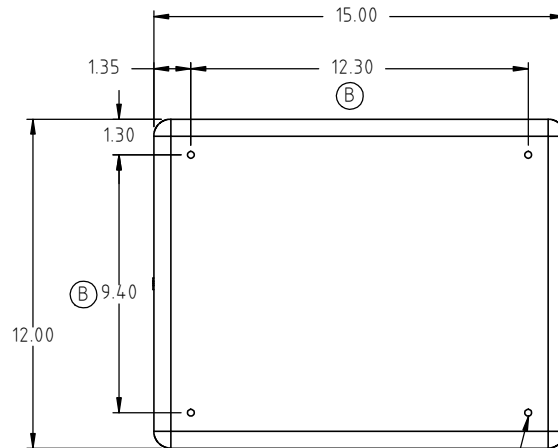
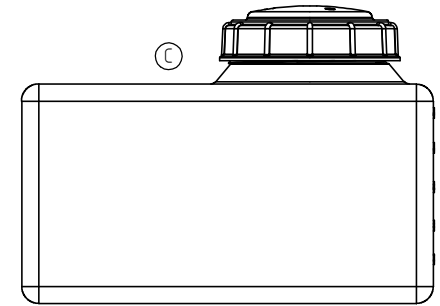
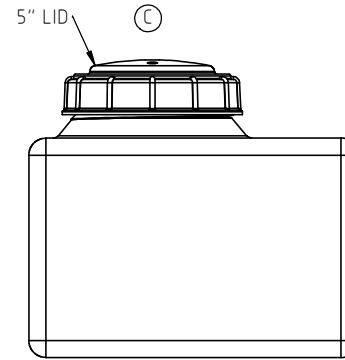
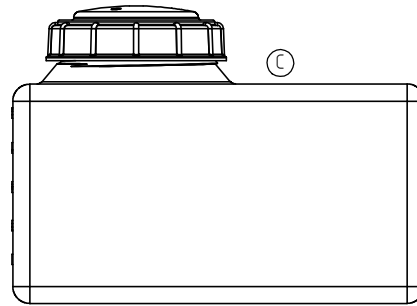
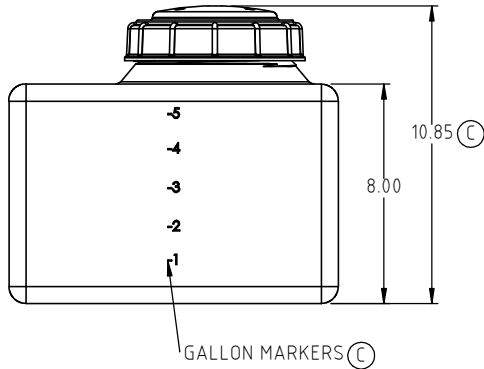
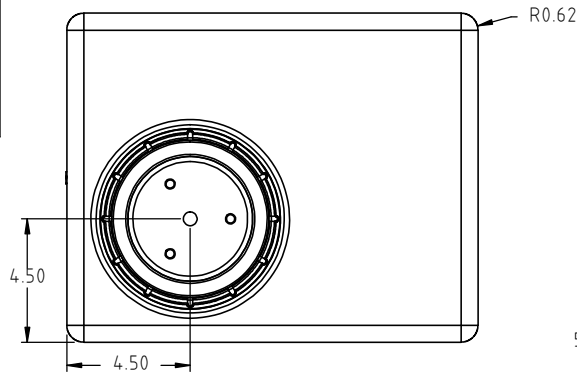


© DEN HARTOG INDUSTRIES, INC.

Copyright. All information furnished within this document, electronic file or design correspondence is the property of Den Hartog industries, Inc. and shall not be used, disclosed to others or copied without the expressed written consent of Den Hartog Industries, Inc.

SP0006-5N

C



Ø .250-20 UNC X .50 DEEP THREADED INSERTS X 4
P.N. 10107

C	ADDITIONAL VIEWS ADDED, NEW 5" LID AND GALLON MARKERS SHOWN, 10.85" WAS 11.23"	ADH 5/29/14	2855	DRAWN / DATE DHJ 7/26/01	MATERIAL MOBIL 134
B	12.30 WAS 12.50, 9.40 WAS 9.62. DRAWING TEMPLATE UPDATED	ADH 2/6/12	2365	APPRD. / DATE REH 7/26/01	
A	SHOT WEIGHT CORRECTED	ADH 2/16/09	1802		
REV	DESCRIPTION	BY / DATE	CCN		
ALL DIMENSIONS ARE IN DECIMAL INCHES TOLERANCES UNLESS OTHERWISE SPECIFIED		THIRD ANGLE PROJECTION ANSI 14.5M		SHOT WEIGHT: 5.00 LBS.	NOTES: 1.) NATURAL COLOR 2.) NOM. WALL .150
POLYETHYLENE	METAL DECIMAL ± .125" FRACTION ± 1/4" ANGLE ± 1°			SHIPPING WEIGHT: 6.00 LBS.	
±1% @ 68°F				FINISH:	



Den Hartog
INDUSTRIES, INC.

Ace Roto-Mold Injection Molding Blow Molding Sowjoy

4010 HOSPERS DRIVE S. BOX 425, HOSPERS, IOWA 51238-0425

DESCRIPTION	6 GAL. SPECIALTY TANK	
SCALE	N.S.	PART NO. SP0006-5N