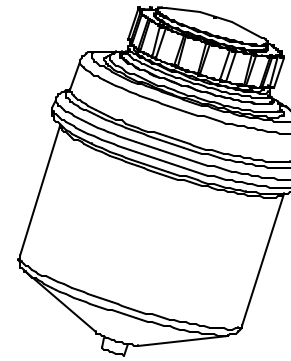
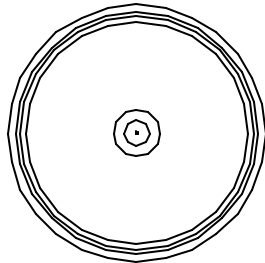


PROPRIETARY DATA

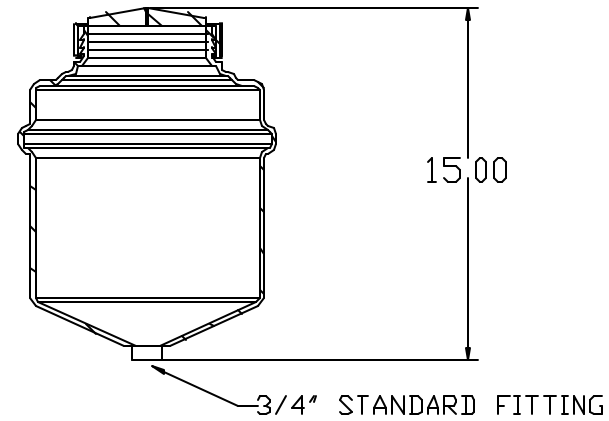
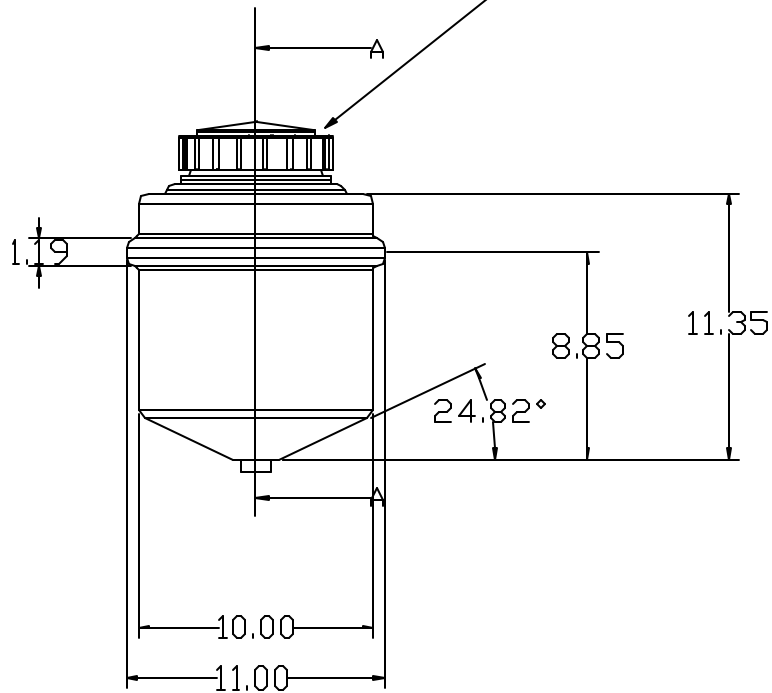
PROPERTY OF ACE ROTO-MOLD MFG., INC. INFORMATION FURNISHED HEREIN IS THE PROPERTY OF ACE ROTO-MOLD MFG., INC. AND SHALL NOT BE USED, DISCLOSED TO OTHERS, OR COPIED WITHOUT THE EXPRESSED WRITTEN CONSENT OF ACE ROTO-MOLD MFG., INC. ALL RIGHTS RESERVED.


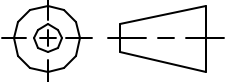
SP03.5-CL



Ø5 INCH LID

SECTION A



				DRAWN / DATE NVE 6/14/05	MATERIAL	 Ace Roto-Mold A DIVISION OF DEN HARTOG INDUSTRIAL INC. 401B HWY. 60 BLVD., BOX 421, HDSPERS, IA WA 5123B	
				APPRD. / DATE DHJ 6/22/15	MDPE OR EQUIVALENT REFERENCE MATERIAL DATA SHEET FOR SPECIFIC PROPERTIES.		
REV	DESCRIPTION	DATE	APPRO	THRD ANGLE PROJECTION ANSI 11.5-1 		CLIENT / DESCRIPTION 3.5 GALLON CONE BOTTOM TANK CYLINDER	
ALL DIMENSIONS ARE IN DECIMAL INCHES TOLERANCES UNLESS OTHERWISE SPECIFIED ± 1% @ 68° F						NOTES: 1. NOM WALL @ 2011 2. WHITE DR YELLOW COLOR 3. SHOT WEIGHT & LBS.	