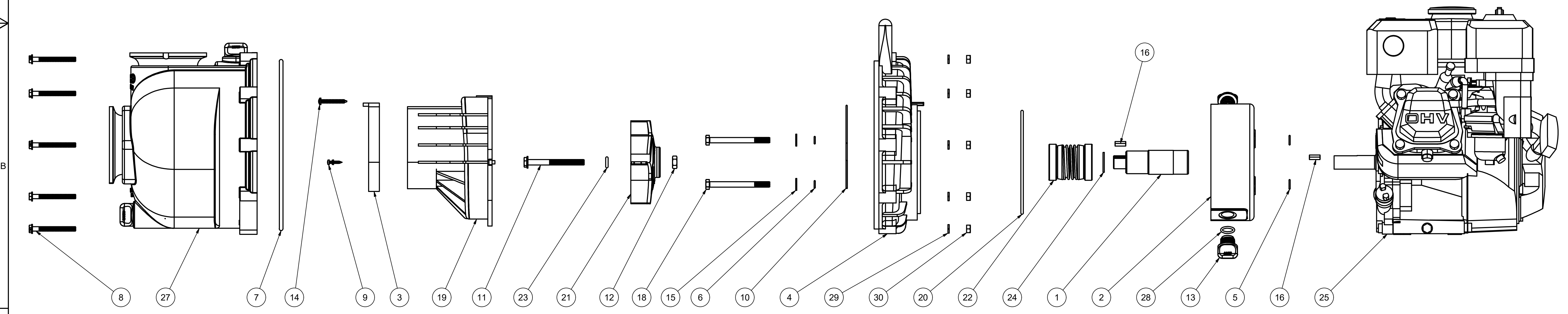


Parts List				
ITEM	QTY	PART NUMBER	DESCRIPTION	
1	1	12155	ADAPTER SHAFT	
2	1	12202W	2" POLY RESERVOIR	
3	1	12705	PUMP CHECKVALVE, EPDM	
4	1	12707W	2" W.S. REAR BRACKET	
5	4	12709	#13 O-RING, EPDM	
6	4	12717	#11 O-RING, EPDM	
7	1	12719A	#375 O-RING, EPDM	
8	10	12720	1/4-20 X 2 1/2" SL IND HWHS	
9	2	12725	#6 X 1/2" PPH SMS	
10	1	12754	O-RING SEGMENT	
11	1	12766	5/16-24 X 3 1/4" HFS	
12	1	12775A	7/16-14 HEX NUT	
13	2	12777	1/2" DRAIN PLUG	
14	1	12900	#10 X 1 1/2" PPH SMS	
15	4	12901	5/16" FLAT WASHER	
16	2	12902A	3/16" SQ. X 5/8" KEY	
17	1	12910	PUMP DECAL (N/S)	
18	4	13034	5/16-24 X 3 1/2" HHCS	
19	1	13702	3" POLY PUMP VOLUTE	
20	1	13719	#256 O-RING, EPDM	
21	1	13771	3" POLY PUMP TRIMMED IMPELLER	
22	1	15035E	MECH. SEAL ASSY, EPDM	
23	1	A204	#204 O-RING, EPDM	
24	1	CV10175	GASKET, EPDM	
25	1	E6H	6.5 HP HONDA	
26	1	KK-57	WARNING TAG (N/S)	
27	1	M13712	3" MNFLD POLY PUMP BODY ASSY.	
28	2	UV15163	#114 O-RING, EPDM	
29	10	V07018	1/4" LOCKWASHER	
30	10	V07019	1/4-20 HEX NUT	



THIS DRAWING AND ALL INFORMATION CONTAINED THEREON ARE THE EXCLUSIVE PROPERTY OF BANJO CORPORATION.

UNLESS SPECIFICALLY NOTED, THIS DRAWING AND ITEMS SHOWN ON THIS DRAWING ARE SUBJECT TO CHANGE AT ANY TIME.

BANJO CORPORATION  
 150 BANJO DRIVE, CRAWFORDSVILLE, IN 47933  
 WEB SITE: WWW.BANJO.CORP.COM  
 E-MAIL: BANJOSALES@DEXCORP.COM

DESCRIPTION  
**3" POLY WET SEAL PUMP W/ 6.5HP HONDA**

PART NUMBER  
**M300PH6W**