

4

3

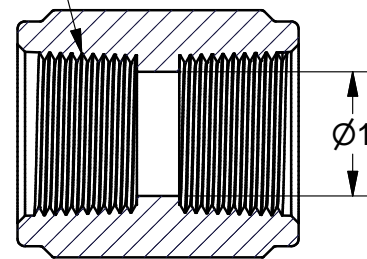
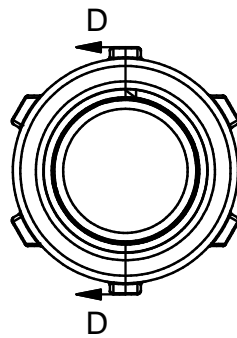
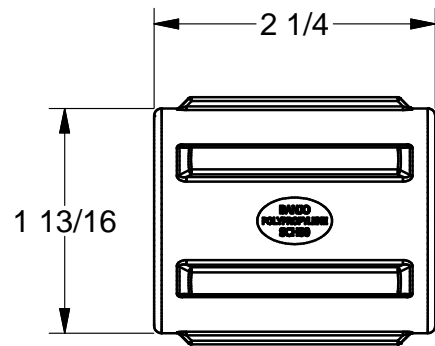


2

1



1" ANS BLUNT START
TAPERED PIPE THD



TOLERANCE UNLESS OTHERWISE SPECIFIED
DECIMALS 0.00 = +/- 0.010
DECIMALS 0.000 = +/- 0.005
FRACTIONS 1/X = +/- 1/32
ANGLES = +/- 1
BREAK ALL SHOWN CORNERS W/ 1/32 R UNLESS OTHERWISE SPECIFIED



DRAWN MJC 8/27/2010
CHECKED
QA
MFG
APPROVED

BANJO CORPORATION
150 BANJO DRIVE, CRAWFORDSVILLE, IN 47933

TITLE
1" PIPE COUPLING

SIZE	DWG TYPE	DWG NO	REV
B		CPLG100	
SCALE	SHEET 3 OF 3		

4

3



2

1

B

B

A

A