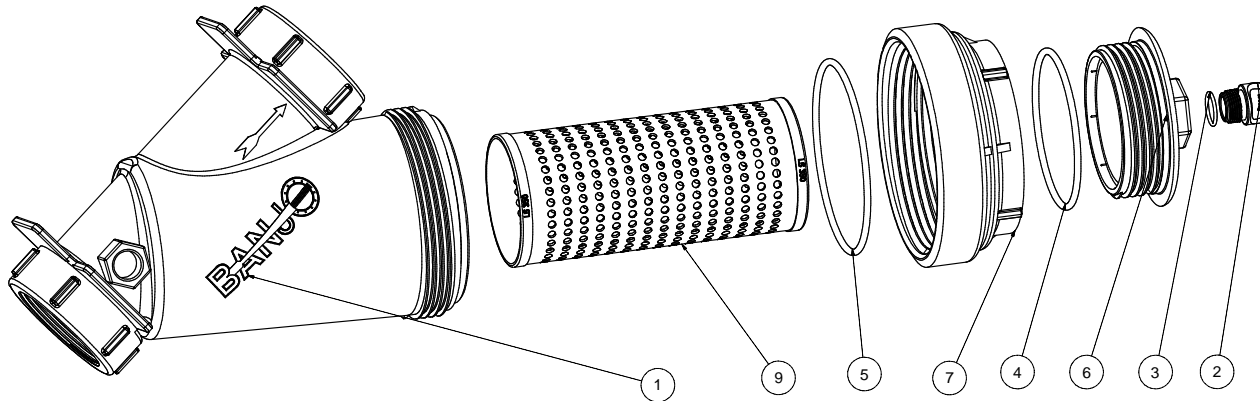


Parts List			
ITEM	QTY	PART NUMBER	DESCRIPTION
1	1	MLS300B1	3" LINE STRAINER BODY
2	1	13777	3/4" DRAIN PLUG
3	1	13778	2-119 O-RING
4	1	MLS300ECG	#352 O-RING
5	1	MLS300G	#361 O-RING
6	1	LS300EC	3" LINESTRAINER END CAP
7	1	MLS300CAP	3" LINESTRAINER CAP
8	1	LS200-D	DECAL (N/S)
9	1	LS350	LINE STRAINER SCREEN



BANJO CORPORATION
 150 BANJO DRIVE, CRAWFORDSVILLE, IN 47933
 WEB SITE: WWW.BANJOCORP.COM
 E-MAIL: SALES1@BANJOCORP.COM

THIS DRAWING AND ALL INFORMATION CONTAINED THEREON ARE THE EXCLUSIVE PROPERTY OF BANJO CORPORATION.

UNLESS SPECIFICALLY NOTED, THIS DRAWING AND ITEMS SHOWN ON THIS DRAWING ARE SUBJECT TO CHANGE AT ANY TIME.

DESCRIPTION:
3" NPT LINESTRAINER W/ #50 MESH SCREEN

PART NUMBER
LSM300-50