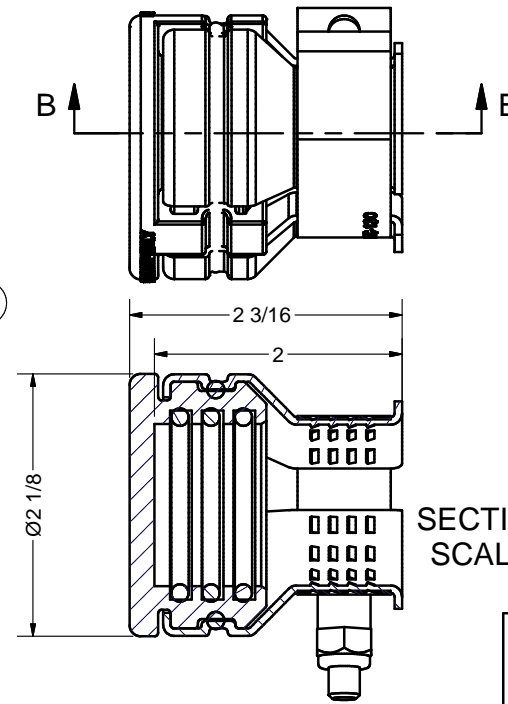
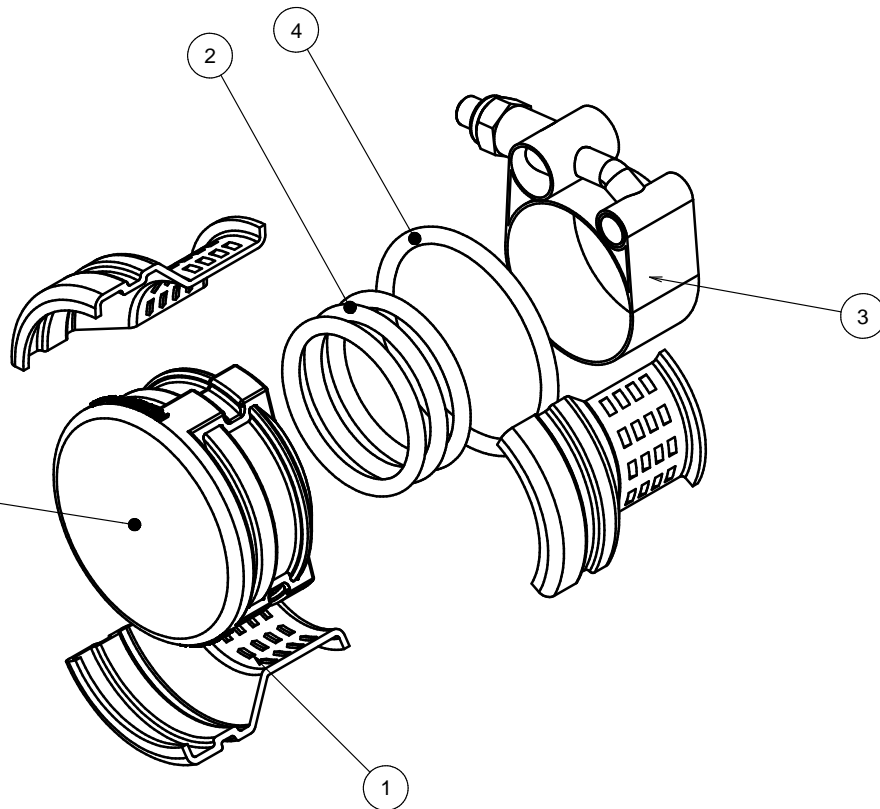


Note:

Lubricate internal o-rings before installing on pipe.

Clamp Torque: 65-85 in-lbs.

Parts List			
ITEM	QTY	PART NUMBER	DESCRIPTION
1	3	MPA1002	Pipe Adapter Bracket
2	3	A219	2-219 EPDM O-ring
6	0	schedule05x1	1" Pipe
3	1	TC130	1 1/4"-1 3/4" T-Bolt Clamp
4	1	DM20265E	2-224 EPDM O-ring
5	1	MPA1001C	1" Manifold Pipe Adapter Cap - Machined



THIS DRAWING AND ALL INFORMATION CONTAINED THEREON ARE THE EXCLUSIVE PROPERTY OF BANJO CORPORATION.

UNLESS SPECIFICALLY NOTED, THIS DRAWING AND ITEMS SHOWN ON THIS DRAWING ARE SUBJECT TO CHANGE AT ANY TIME.



BANJO CORPORATION

150 BANJO DRIVE, CRAWFORDSVILLE, IN 47933
 WEB SITE: WWW.BANJOCORP.COM
 E-MAIL: SALES1@BANJOCORP.COM

DESCRIPTION	1" Pipe adapter Cap
PART NUMBER	M100PAC