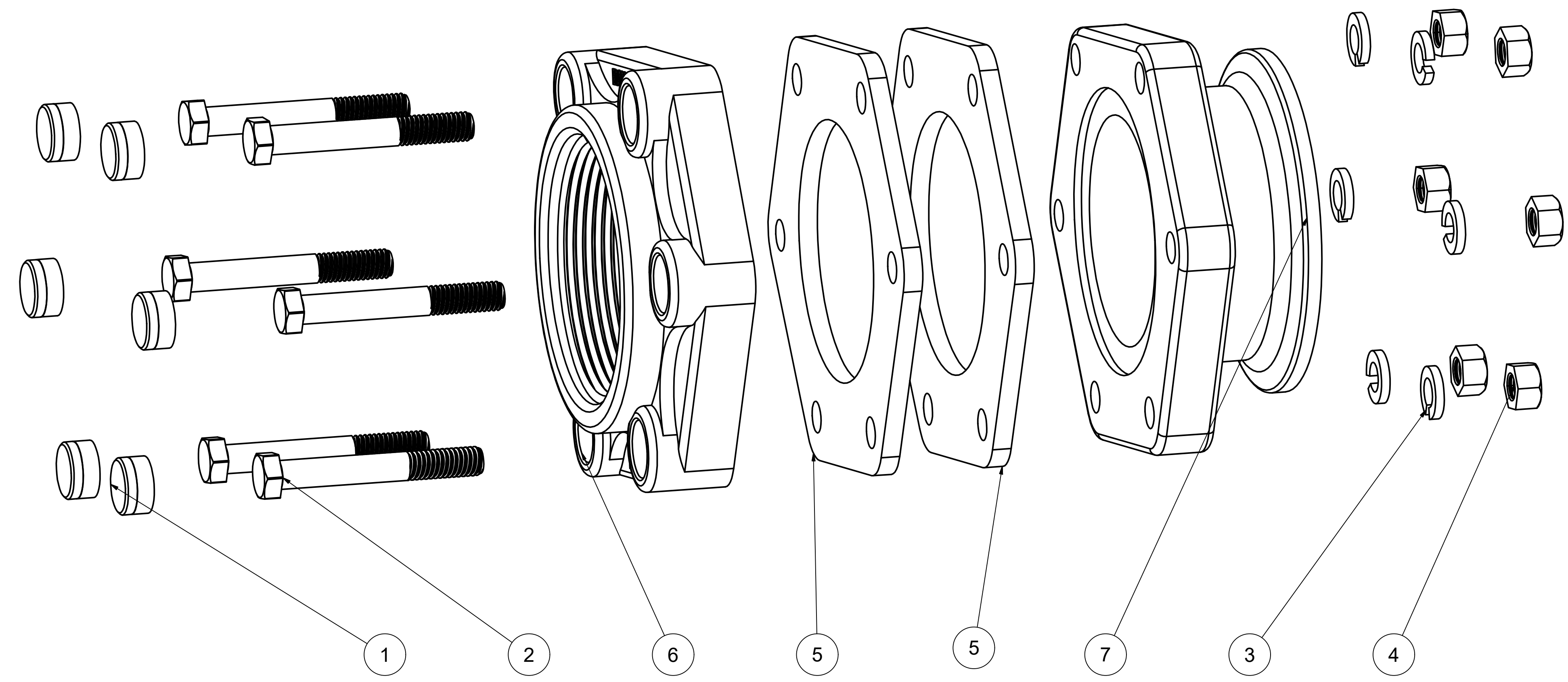


Parts List			
ITEM	QTY	PART NUMBER	DESCRIPTION
1	6	BF304AT	Bolted Flange Plug Tumbled
2	6	BF306	3/8"-16 x 2.75" HHCS
3	6	V20018	3/8" LOCKWASHER
4	6	V20019	3/8" HEX NUT
5	2	BF300GE	3" BOLTED FLG GASKET
6	1	BF301	3" BOLTED FLG END PLATE
7	1	BF30178	3" FLG END PLATE
8	1	VL1004	EPDM LABEL (N/S)



THIS DRAWING AND ALL INFORMATION CONTAINED THEREON ARE THE EXCLUSIVE PROPERTY OF BANJO CORPORATION.
UNLESS SPECIFICALLY NOTED, THIS DRAWING AND ITEMS SHOWN ON THIS DRAWING ARE SUBJECT TO CHANGE AT ANY TIME.

BANJO CORPORATION
 150 BANJO DRIVE, CRAWFORDSVILLE, IN 47933
 WEB SITE: WWW.BANJOCORP.COM
 E-MAIL: BANJOSALES@IDEXCORP.COM

DESCRIPTION
3" MANIFOLD TANK FLANGE

PART NUMBER
MBF300