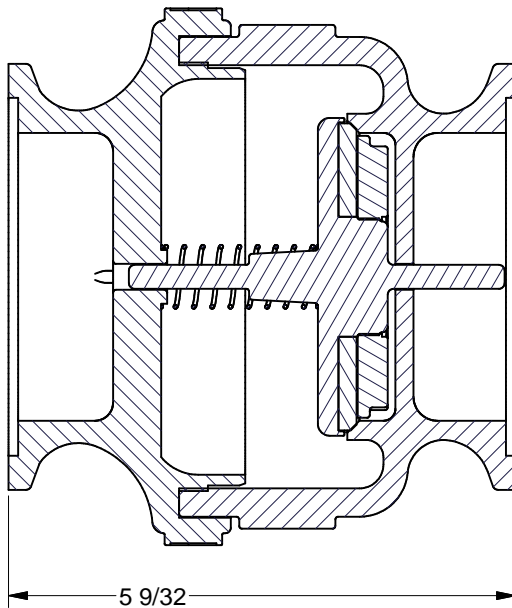
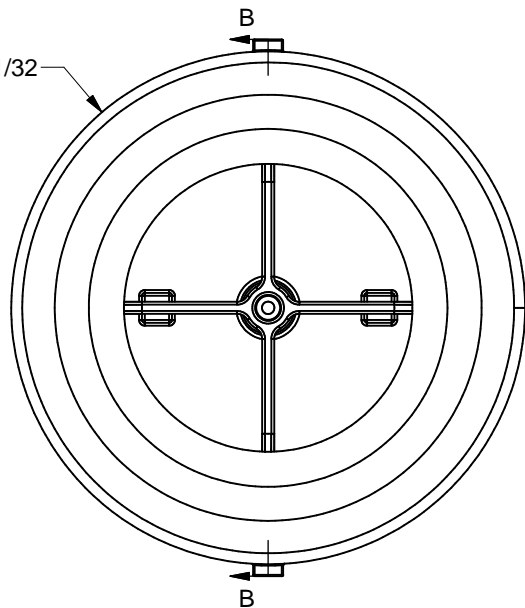
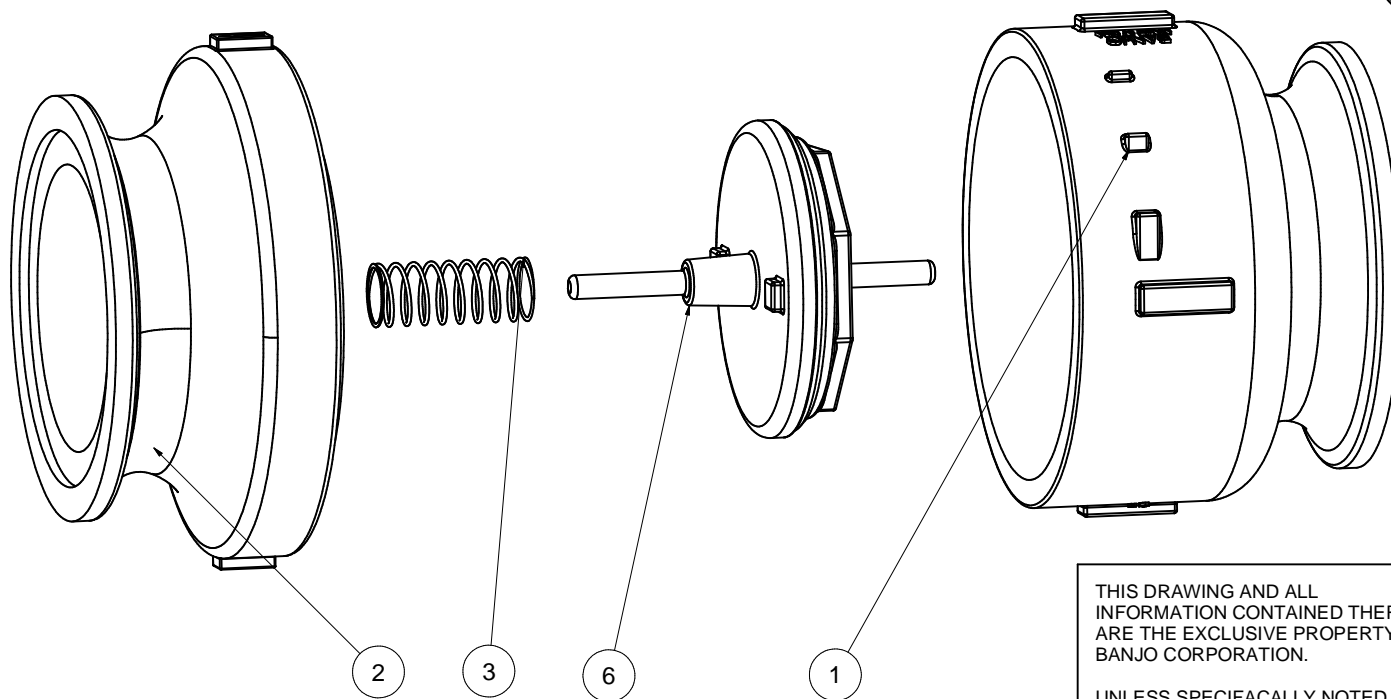


Ø5 11/32



Parts List					
ITEM	QTY	PART NUMBER	DESCRIPTION		
1	1	MCV30054	3" FP FMLE HALF CV END PLATE		
2	1	MCV30056	3" FP MALE HALF CV END PLATE		
3	1	CV21505	CV 1/2 PSI SPRING		
4	1	CV10005	PSI DECAL (N/S)		
5	1	VL1004	EPDM DECAL (N/S)		
6	1	CV30055A	3" FP POPPET ASSEMBLY		



THIS DRAWING AND ALL INFORMATION CONTAINED THEREON ARE THE EXCLUSIVE PROPERTY OF BANJO CORPORATION.

UNLESS SPECIFICALLY NOTED, THIS DRAWING AND ITEMS SHOWN ON THIS DRAWING ARE SUBJECT TO CHANGE AT ANY TIME.

BANJO CORPORATION
 150 BANJO DRIVE, CRAWFORDSVILLE, IN 47933
 WEB SITE: WWW.BANJOCORP.COM
 E-MAIL: SALES1@BANJOCORP.COM

DESCRIPTION
3" FULL PORT MANIFOLD CHECKVALVE

PART NUMBER
MCV300



This document was created with the Win2PDF "print to PDF" printer available at <http://www.win2pdf.com>

This version of Win2PDF 10 is for evaluation and non-commercial use only.

This page will not be added after purchasing Win2PDF.

<http://www.win2pdf.com/purchase/>