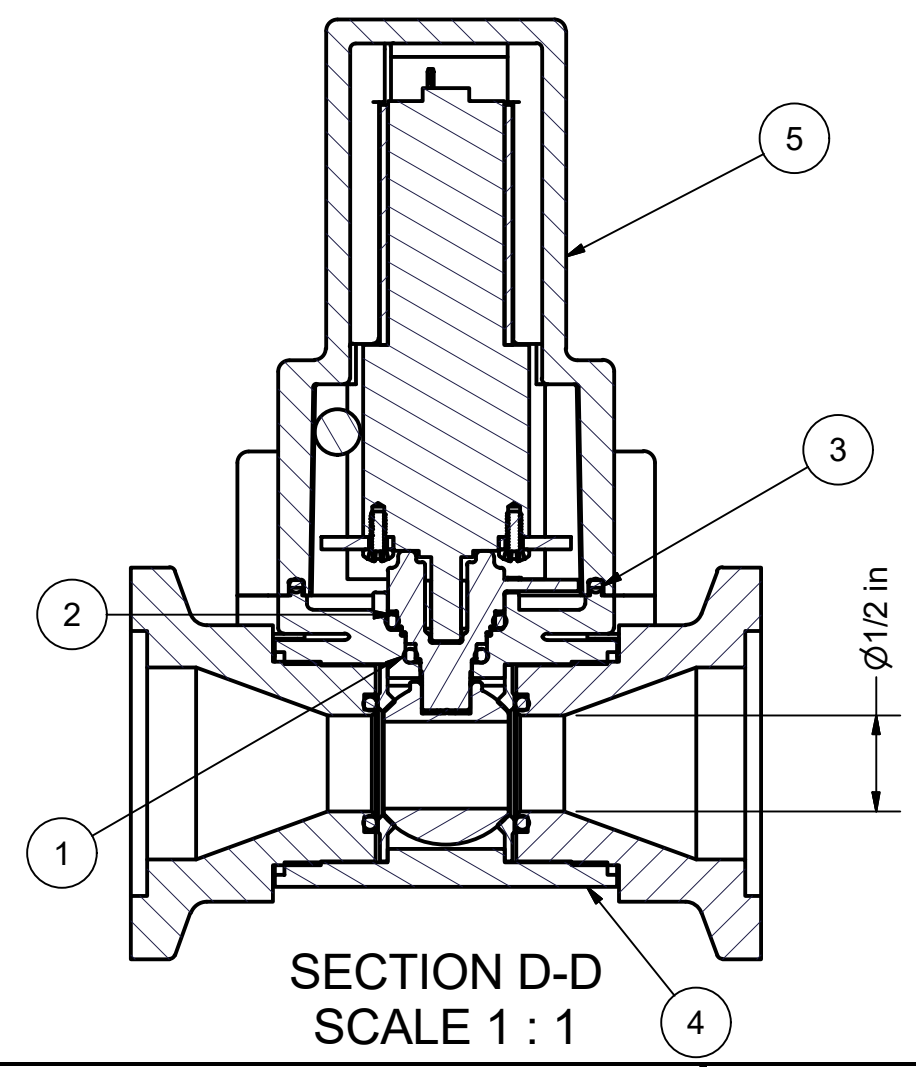
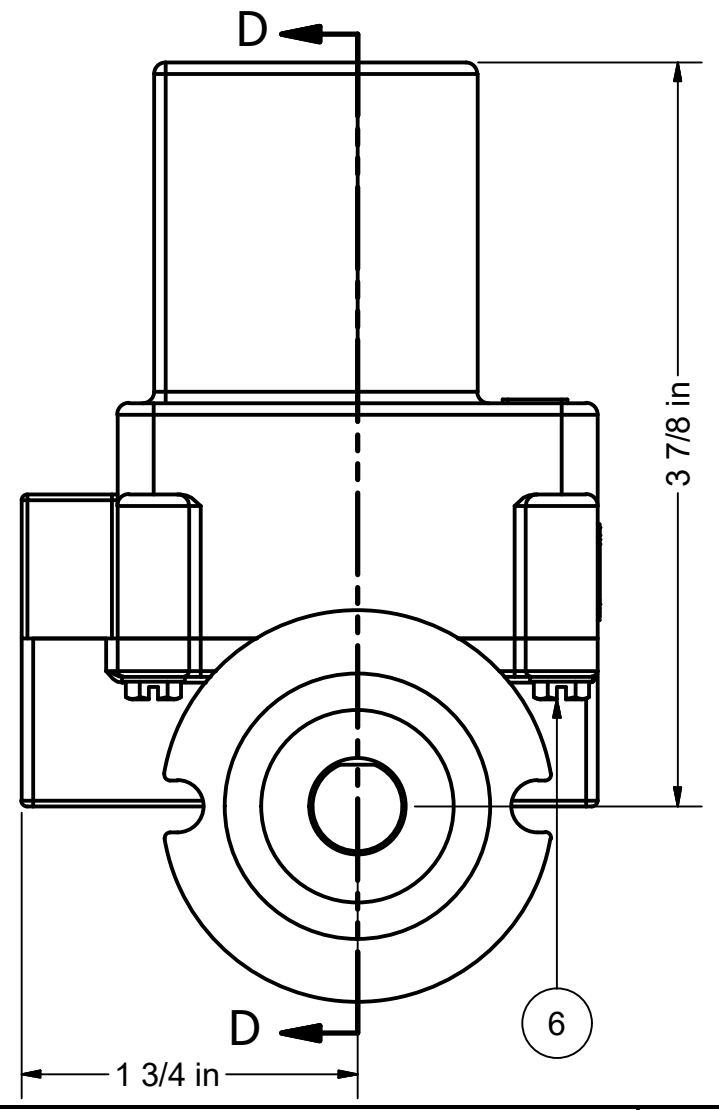
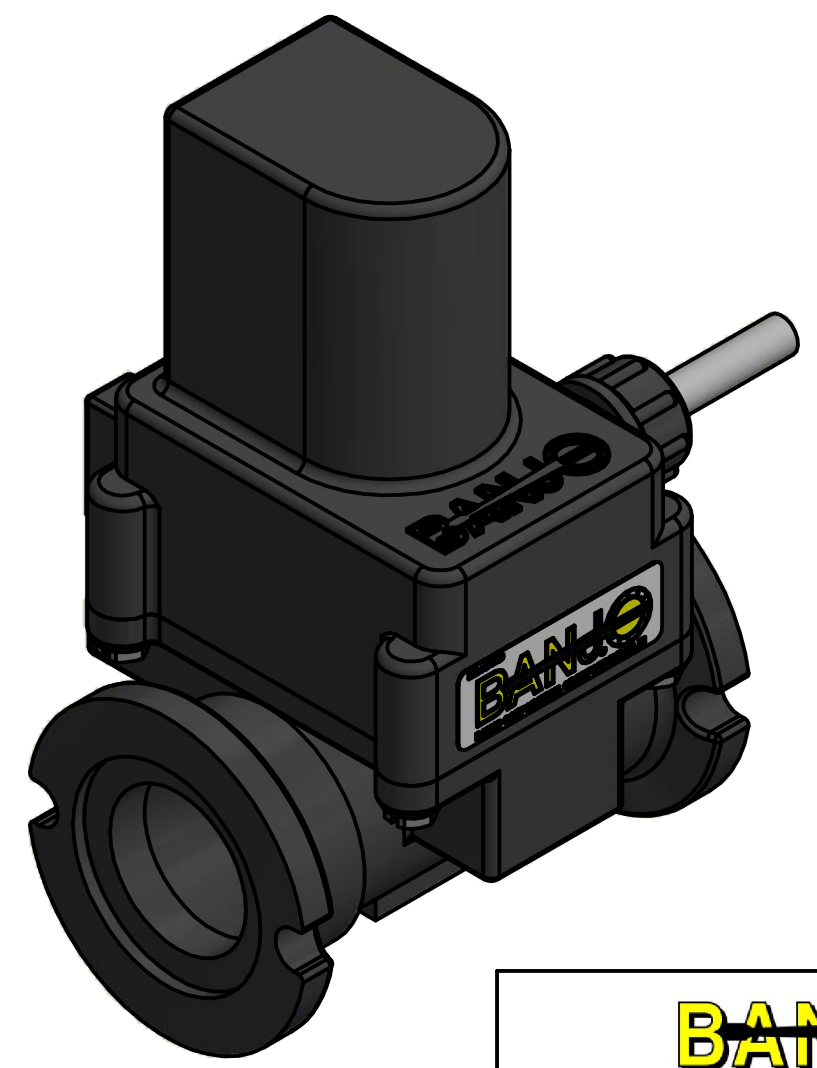


Note:
 Wiring, 3 Wire
 Red = +12 VDC
 Black = Ground
 White = Signal



SECTION D-D
 SCALE 1 : 1

Parts List			
ITEM	QTY	PART NUMBER	DESCRIPTION
1	1	12717	#11 O-RING, EPDM
2	1	12724	#14 O-RING
3	1	A035	2-035 O-ring, EPDM
4	1	MLEV100X	1/2" MLEV w/ M100 Valve Only Assy
5	1	LEV3000	3 Wire LEV Actuator Assy
6	4	VE15220	#6x3/4"18-8SS HWH SMS
7	1	050DECAL	Banjo Logo Decal



THIS DRAWING AND ALL INFORMATION CONTAINED THEREON ARE THE EXCLUSIVE PROPERTY OF BANJO CORPORATION.
 UNLESS SPECIFICALLY NOTED, THIS DRAWING AND ITEMS SHOWN ON THIS DRAWING ARE SUBJECT TO CHANGE AT ANY TIME.

BANJO CORPORATION

150 BANJO DRIVE, CRAWFORDSVILLE, IN 47933
 WEB SITE: WWW.BANJOCORP.COM
 E-MAIL: SALES1@BANJOCORP.COM

DESCRIPTION
 1/2" MLEV w/ M100 Valve, 3 Wire

PART NUMBER
 MLEV100