

# CENTRIFUGAL PUMPS

## 2" 222 SERIES CAST IRON PUMPS

### FEATURES

- Cast iron construction for rugged dependable service
- Carbon ceramic seal with stainless steel cup and spring with FKM rubber
- Replaceable inlet and outlet flanges
- Dynamically balanced impeller
- Heavy duty slinger seal on motor shaft
- Large weep holes between pump end and engine
- Pump only packs complete and ready for attachment to gasoline engine
- Pedestal pump for long coupling to electric motor
- Recommendation for 3/4" shaft: 5 HP, 3600 RPM
- Recommendation for 225POI: use with 10 pound per gallon material or more
- Due to weight and size of pumps, Banjo ships these by truck only.
- Engine warranty service available at authorized dealers



**WARNING! DO NOT RUN PUMP DRY, RESTRICT OR REDUCE PORT SIZES OR DEAD HEAD PUMP**



**WARNING! DO NOT USE WITH FLAMMABLE LIQUIDS**



### 222 SERIES CAST IRON PUMPS W/GAS ENGINES

| PART NO   | DESCRIPTION   | HP  | QTY |
|-----------|---|-----|-----|
| 222PIH5   | 2" CAST IRON PUMP W/5.5 HP HONDA® ENGINE                        | 5.5 | 1   |
| 222PIH6   | 2" CAST IRON PUMP W/6.5 HP HONDA® ENGINE                        | 6.5 | 1   |
| 222PIH5E  | 2" CAST IRON PUMP W/5.5 HP HONDA® ENGINE W/ ELECTRIC START      | 5.5 | 1   |
| 222PI6PRO | 2" CAST IRON PUMP W/6.5 HP BRIGGS & STRATTON® ENGINE PRO SERIES | 6.5 | 1   |



### 222 SERIES CAST IRON PUMP ONLYS

| PART NO | DESCRIPTION                                | HP  | QTY |
|---------|--|-----|-----|
| 222POI  | 2" CAST IRON PUMP ONLY W/ FULL IMPELLER    | N/A | 1   |
| 225POI  | 2" CAST IRON PUMP ONLY W/ TRIMMED IMPELLER | N/A | 1   |



### 222 SERIES CAST IRON BEARING PEDESTAL

| PART NO | DESCRIPTION  | HP  | QTY |
|---------|--|-----|-----|
| 222PBI  | 2" CAST IRON BEARING PEDESTAL W/ 3/4" STRAIGHT KEYED SHAFT | N/A | 1   |

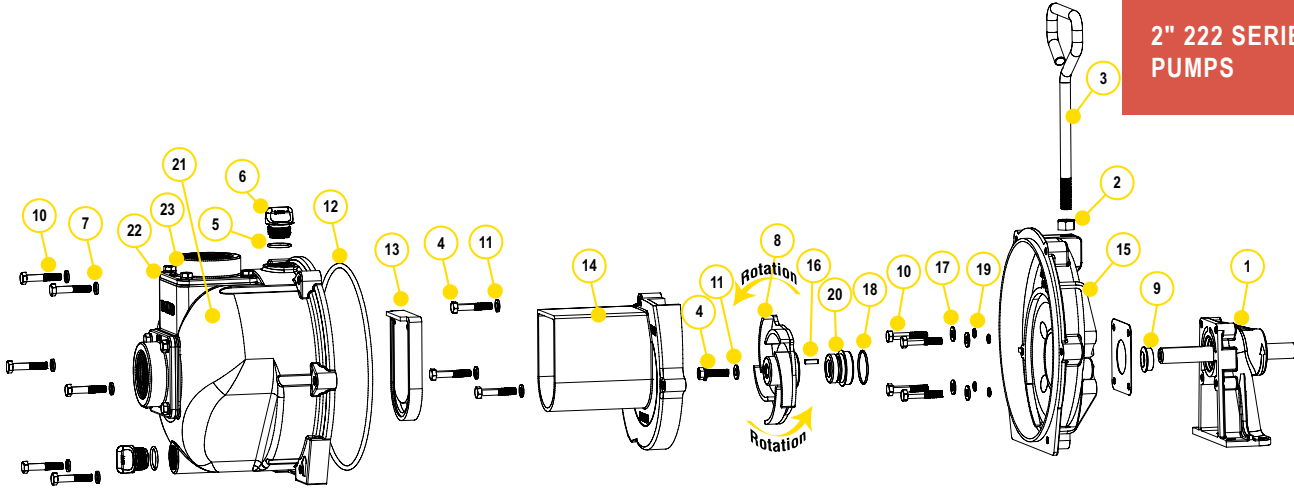


### 222 SERIES CAST IRON HYDRAULIC PUMPS

| PART NO | DESCRIPTION                               | HP | QTY |
|---------|---|----|-----|
| 222PIHY | 2" CAST IRON PUMP W/12 HP HYDRAULIC MOTOR | 12 | 1   |

# CENTRIFUGAL PUMPS

## 2" 222 SERIES CAST IRON PUMPS



### REPLACEMENT PARTS 2" CAST IRON PUMPS

| ITEM | PART NO | DESCRIPTION  | QTY    |
|------|---------|--|--------|
| 1    | 12882A  | BEARING PEDESTAL ASSEMBLY                                      | 1      |
| 1    | 12600B  | HYDRAULIC PEDESTAL ASSEMBLY                                    | 1      |
| 2    | 17010   | 1/2" JAM NUT   | 1      |
| 3    | 15022   | HANDLE   | 1      |
| 4    | 12765A  | 5/16" - 24 X 1.12 IMPELLER BOLT                                | 1      |
| 5    | 13778   | O-RING   | 2      |
| 6    | 13777   | 3/4" PLUG  | 2      |
| 7    | V10118  | 5/16" LOCK WASHER  | 9      |
| 8    | 15772   | 5 VANE IMPELLER  | 1      |
| 9    | 12716   | PUMP SLINGER   | 1      |
| 10   | 12715A  | 5/16" - 24 X 1.75 HHCS   | 13     |
| 11   | A204    | O-RING   | 1      |
| 12   | 12719A  | BODY O-RING  | 1      |
| 13   | 12705   | CHECK VALVE  | 1      |
| 14   | 15702   | VOLUTE   | 1      |
| 15   | 15703   | REAR BRACKET   | 1      |
| 16   | 12902A  | 3/16" SQ X 5/8" KEY  | 1      |
| 17   | 12901   | 5/16" FLAT WASHER  | 4      |
| 18   | 12710   | O-RING   | 1      |
| 19   | 12717   | O-RING   | 4      |
| 20   | 12713V  | SEAL ASSEMBLY  | 1      |
| 20   | 12713SD | SEVERE DUTY SEAL   | 1      |
| 21   | 15712   | BODY   | 1      |
| 22   | 17013   | FLANGE GASKET  | 2      |
| 23   | 17000   | 2" NPT THREADED FLANGE   | 2      |
| 24   | 17019   | 5/16" - 18 X 0.75 HHCS   | 8      |
| 25   | V10118  | 5/16" LOCK WASHER  | 8      |
| N/S  | 12099   | 7/16"-14 X 1.25" HHCS  | 1      |
| N/S  | 15751   | BRACKET SHIM   | 1      |
| N/S  | 15752   | IMPELLER SHIM  | 1      |
| N/S  | 17033   | Z-RAILS  | 1 PAIR |
| N/S  | 17034   | 5/16" - 18 X 1 3/4" ZINC PLATED                                | 4      |
| N/S  | V10119  | 5/16" -18 HEX NUT  | 4      |
| N/S  | V10118  | 5/16" LOCK WASHER  | 4      |
| N/S  | 15000   | REPAIR KIT<br>(ITEMS 5, 8, 11-12, 18-20, 12099, 15751 & 15752) | 1      |
| N/S  | 15000V  | FKM REPAIR KIT   | 1      |
| N/S  | 15999   | SEAL KIT<br>(ITEMS 5, 11-12, 18-20, 12099, 15751 & 15752)      | 1      |
| N/S  | 15999V  | FKM SEAL KIT   | 1      |

### KITS 222 CAST IRON PUMPS

| PART NO   | EPDM REPAIR KIT NO | FKM REPAIR KIT NO | EPDM SEAL KIT NO | FKM SEAL KIT NO |
|-----------|--------------------|-------------------|------------------|-----------------|
| 222PIH5   | 15000              | 15000V            | 15999            | 15999V          |
| 222PIH6   | 15000              | 15000V            | 15999            | 15999V          |
| 222PIH5E  | 15000              | 15000V            | 15999            | 15999V          |
| 222PI6PRO | 15000              | 15000V            | 15999            | 15999V          |
| 222POI    | 15000              | 15000V            | 15999            | 15999V          |
| 225POI    | 15000              | 15000V            | 15999            | 15999V          |
| 222PBI    | 15000              | 15000V            | 15999            | 15999V          |
| 222PIHY   | 15000              | 15000V            | 15999            | 15999V          |

