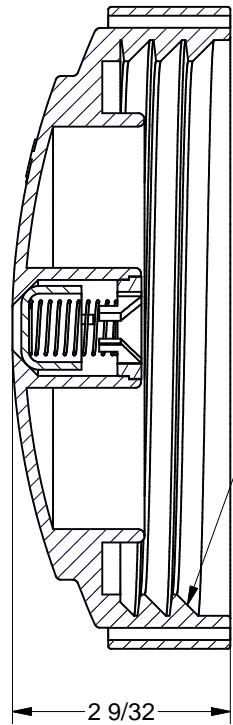


Ø6 13/32

BANJO

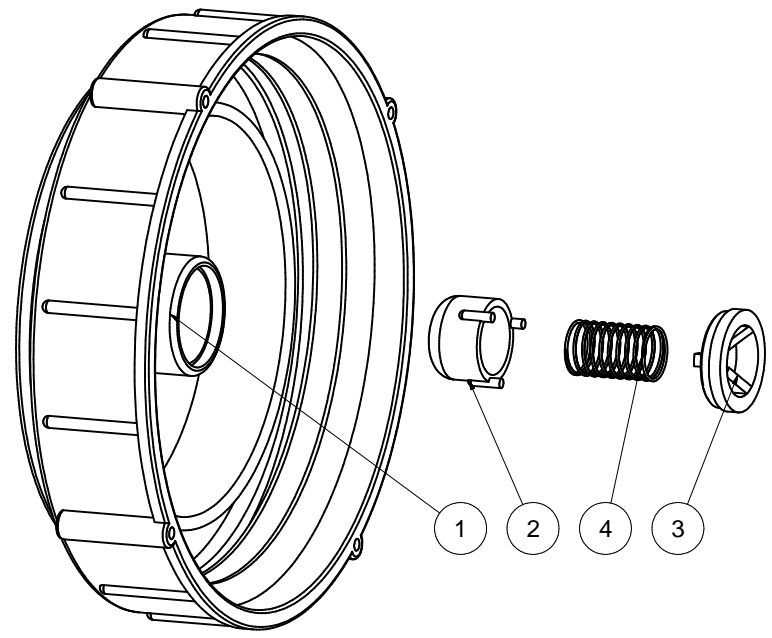
B

B



6"-3 ANS 7°/45°
BUTTRESS THDS
BLUNT START

Parts List			
IT	QT	PART NU	DESCRIPTION
1	1	TL6002	6" Ag Tank Lid with Check, Unassembled
2	1	TL6030	Tank Lid Poppet for TL600C
3	1	TL6031	SPRING RETAINER FOR TL600C
4	1	TL6032	SPRING FOR TL600C



1 2 4 3

THIS DRAWING AND ALL INFORMATION CONTAINED THEREON ARE THE EXCLUSIVE PROPERTY OF BANJO CORPORATION.

UNLESS SPECIFICALLY NOTED, THIS DRAWING AND ITEMS SHOWN ON THIS DRAWING ARE SUBJECT TO CHANGE AT ANY TIME.



BANJO CORPORATION

150 BANJO DRIVE, CRAWFORDSVILLE, IN 47933
 WEB SITE: WWW.BANJOCORP.COM
 E-MAIL: SALES1@BANJOCORP.COM

DESCRIPTION	
6" AG TANK LID W/ CHECK	
PART NUMBER	TL600C