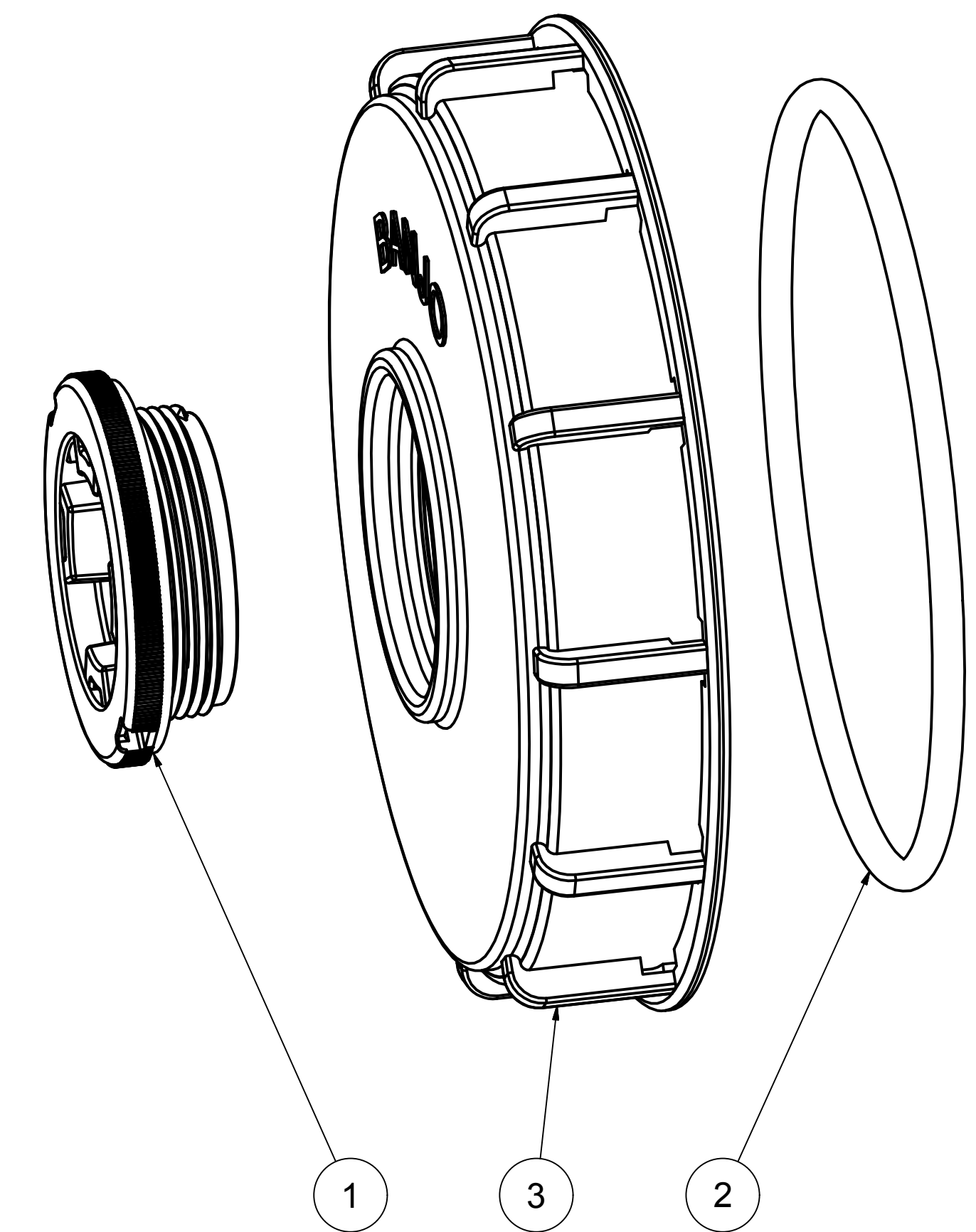
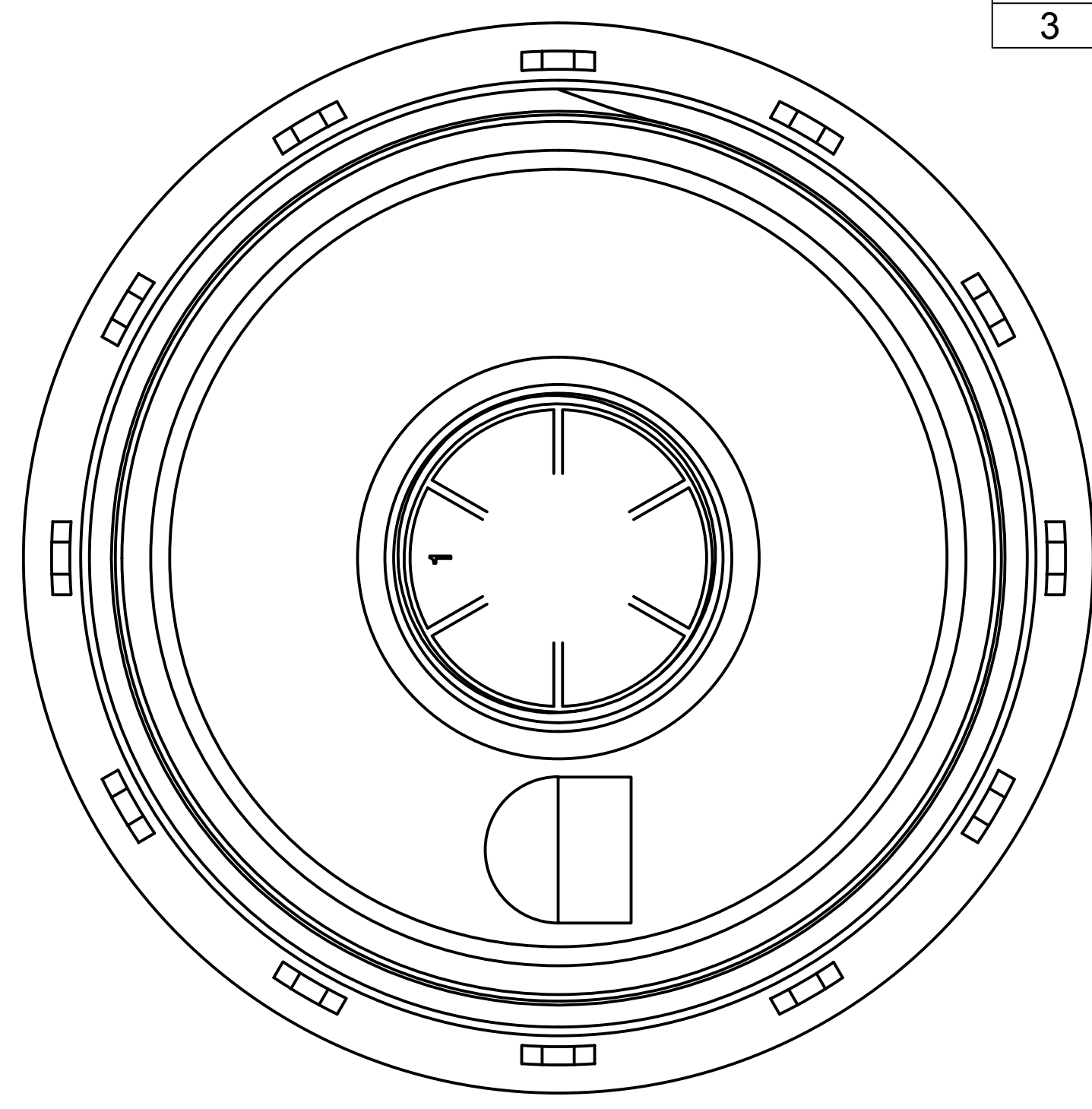
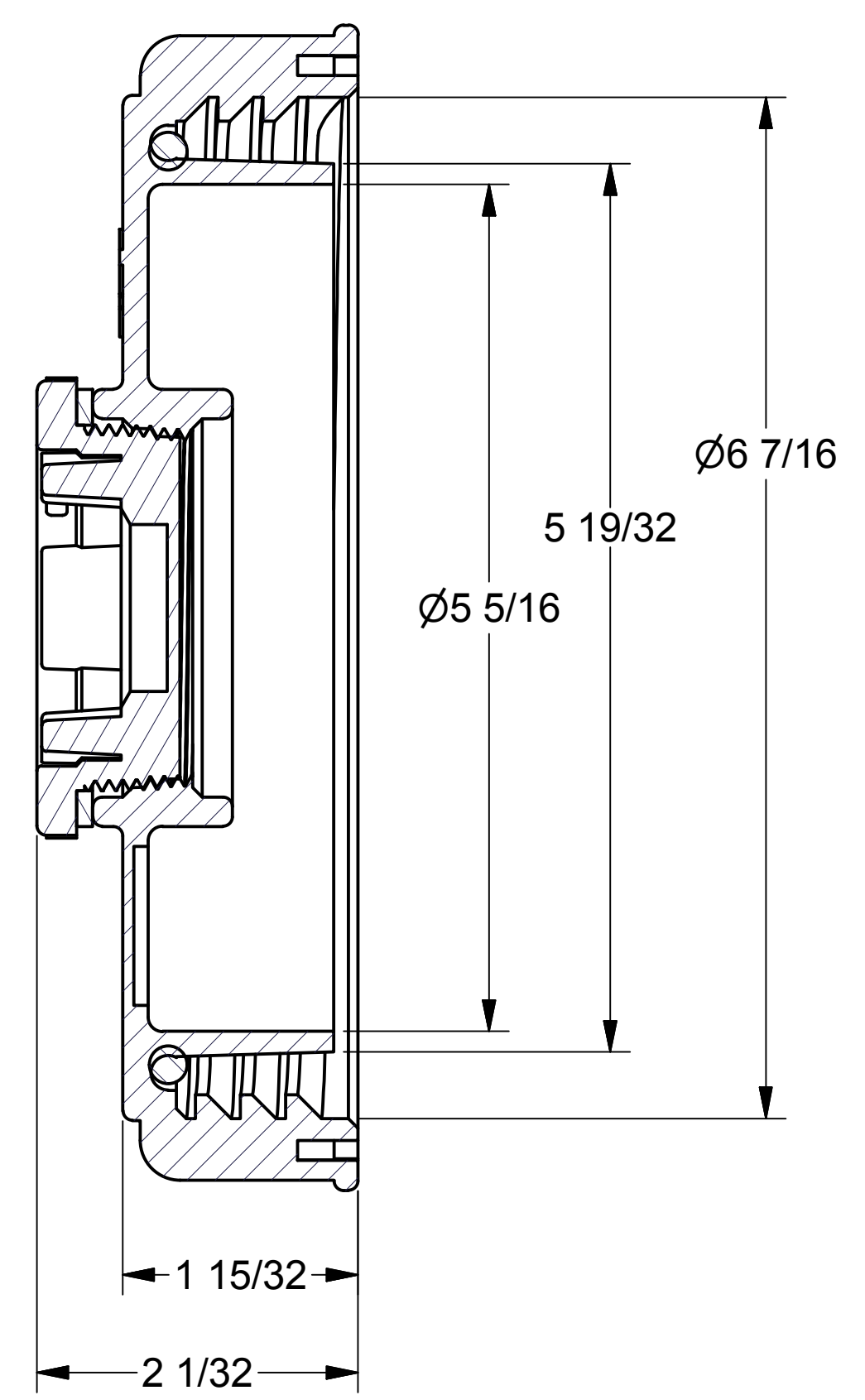
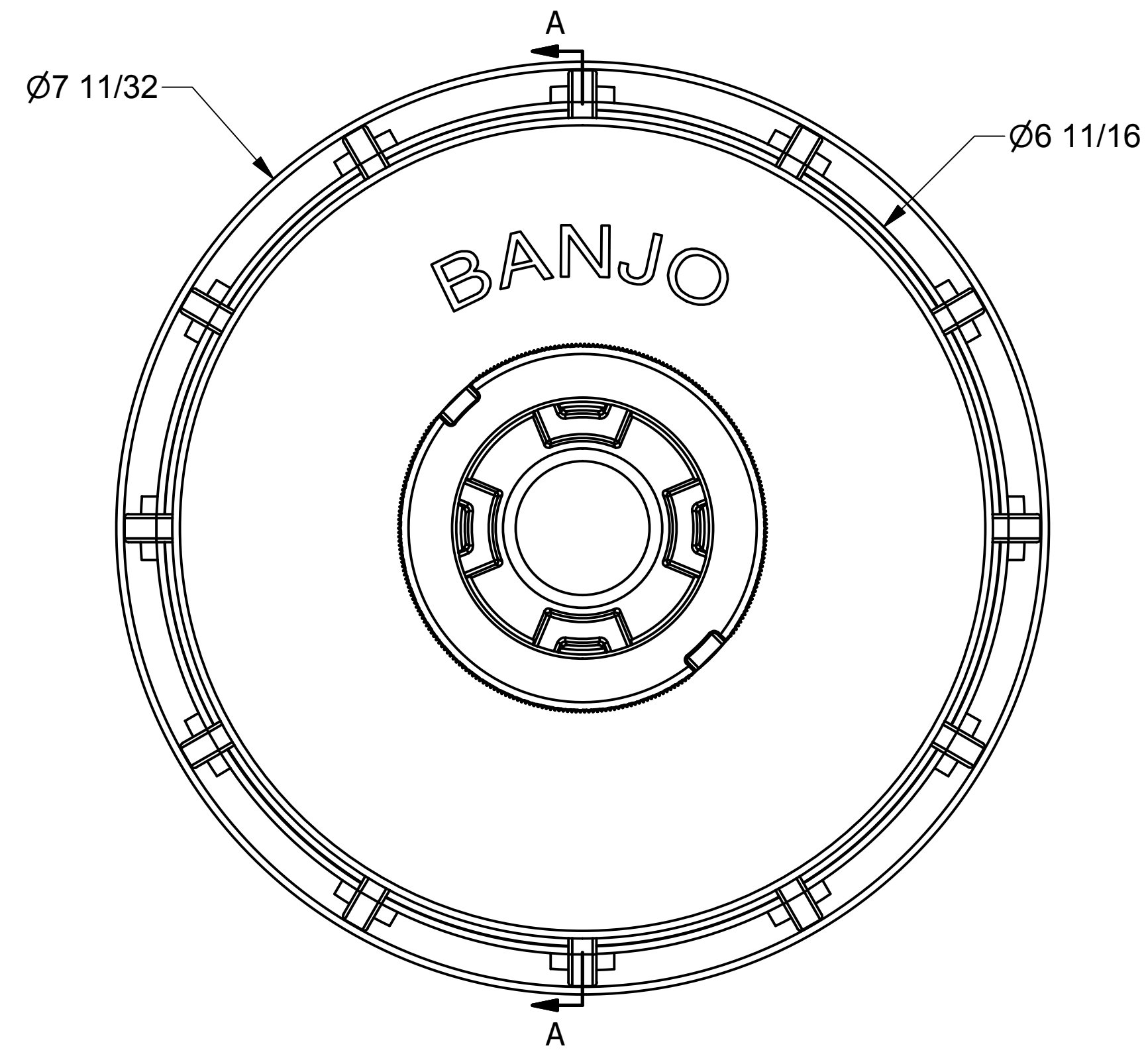


| Parts List |     |             |                              |
|------------|-----|-------------|------------------------------|
| ITEM       | QTY | PART NUMBER | DESCRIPTION                  |
| 1          | 1   | 231MPT      | 2" PLUG W/ EPDM SEAL         |
| 2          | 1   | A140M6E     | M6X140MM 70 DURO EPDM O-RING |
| 3          | 1   | TL6502      | 6" IBC TANK LID W/ 2" FNPT   |



THIS DRAWING AND ALL INFORMATION CONTAINED THEREON ARE THE EXCLUSIVE PROPERTY OF BANJO CORPORATION.

UNLESS SPECIFICALLY NOTED, THIS DRAWING AND ITEMS SHOWN ON THIS DRAWING ARE SUBJECT TO CHANGE AT ANY TIME.



**BANJO CORPORATION**

BANJO CORPORATION  
150 BANJO DRIVE, CRAWFORDSVILLE, IN 47933  
WEB SITE: WWW.BANJOCORP.COM  
E-MAIL: BANJOSALES@IDEXCORP.COM

|             |                                    |
|-------------|------------------------------------|
| DESCRIPTION | TANK LID W/ SOLID BUNG & EPDM SEAL |
| PART NUMBER | TL651E                             |