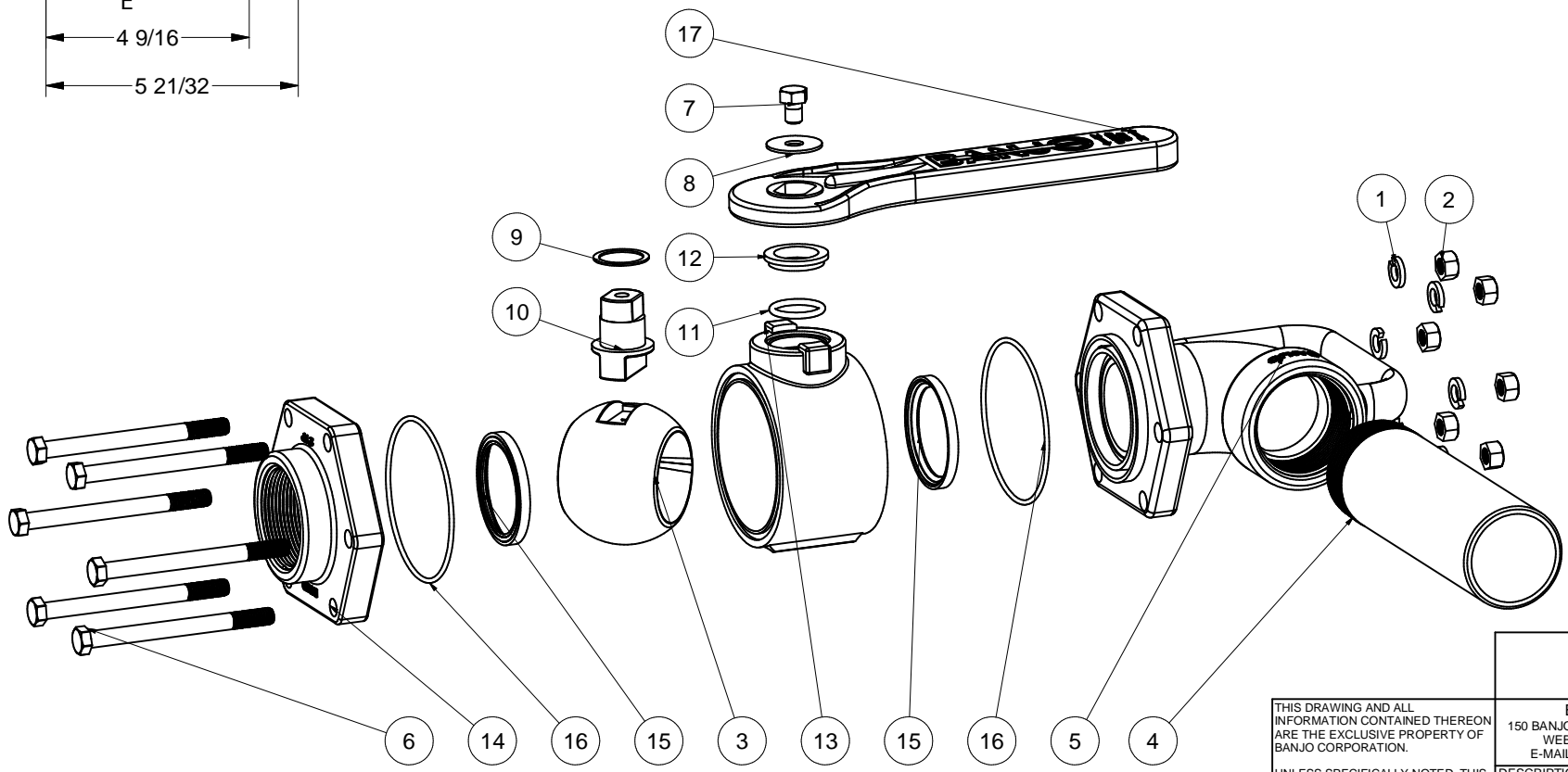


Parts List			
ITEM	QTY	PART NUMBER	DESCRIPTION
1	6	V20018	3/8" LOCKWASHER
2	6	V20019	3/8" HEX NUT
3	1	V25255A	2" FP Valve Ball
4	1	V25165	2" NPT X 8" NOZZLE PIPE
5	1	V25261	2" FP ANGLE FLANGE END PLATE
6	6	V25017	3/8-16 X 4 1/2" HHCS
7	1	V25020	3/8" Handle Bolt
8	1	V25121	3/8" Fender Washer
9	1	V25060	VALVE STEM THRUST BEARING
10	1	V25151B	2" FP Stem
11	1	V25163	#214 FKM O'RING
12	1	V25160	Stem Bushing
13	1	V25254	2" FP VALVE BODY
14	1	V25256	2" Full Port Endplate
15	2	V25258A	3" FP Ball Seat
16	2	V25264	CUSTOM BODY O-RING
17	1	V25152	2" FP ANGLE HANDLE



THIS DRAWING AND ALL INFORMATION CONTAINED THEREON ARE THE EXCLUSIVE PROPERTY OF BANJO CORPORATION.

UNLESS SPECIFICALLY NOTED, THIS DRAWING AND ITEMS SHOWN ON THIS DRAWING ARE SUBJECT TO CHANGE AT ANY TIME.

BANJO CORPORATION

BANJO CORPORATION
 150 BANJO DRIVE, CRAWFORDSVILLE, IN 47933
 WEB SITE: WWW.BANJOCORP.COM
 E-MAIL: BANJOSALES@IDEXCORP.COM

DESCRIPTION
 2" FNPT NOZZLE W/ 2" PORT

PART NUMBER
 VA200FP