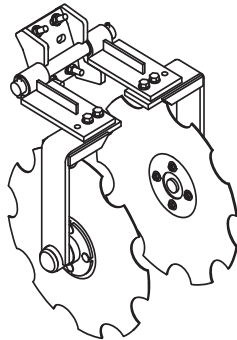


INDEPENDENT STYLE

#	PART NUMBER	QTY.
1	4410171 INDEPENDENT STYLE $\Delta$	1
2	4410174 UPPER MOUNTING BRACKET $\square$	1
3	DS 4420271 SHANK MOUNTING BRACKET	1
4	DS 4410256 PIVOT ARM W BUSHING, LH	1
5	4440857 BUSHING, COMPOSITE	2
6	DS 4410255 PIVOT ARM W BUSHING, RH	1
7	150251 FLAT WASHER, 1.25 ID x 1.875 OD	2
8	101689 SPRING PIN .375x2	2
9	4420277 HUB ASSEMBLY, STD $\square$	2
10	DS 4420273 HUB BRACKET, STD, WELDMENT	1
11	DS 4420201 SPINDLE HUB, STD, WELDMENT	1
12	151222 GREASE ZERK, .25 SELF TAPPING	1
13	4440704 SEAL	1
14	4440702 BEARING	2
15	4440703 RACE	2
16	150224 FLAT WASHER, .625	1
17	4440737 SLOTTED NUT,	1
18	150406 COTTER PIN, .125 x 2	1
19	QDS909923 DUST CAP, 1.75	1
20	151835 CARRIAGE BOLT .375x.75 NC PLTD	8
21	DS 4440785 BLADE, 18 INCH NOTCHED	2
22	158005 FLANGE NUT, .375 NC	8
23	158006 FLANGE BOLT, .5 NC x 1.75, G5	4
24	158007 FLANGE NUT, .5 NC	8
25	4440788 U-BOLT, 2 x 2.5 x .5 NC, SQUARE HEAD	2

**ALL QUANTITIES ARE PER ROW UNIT**

**4450048 - STANDARD DISC SEALER REBUILD KIT  
-INCLUDES (2) BEARINGS, (2) RACES, AND (1) SEAL**



**4410171 INDEPENDENT STYLE**

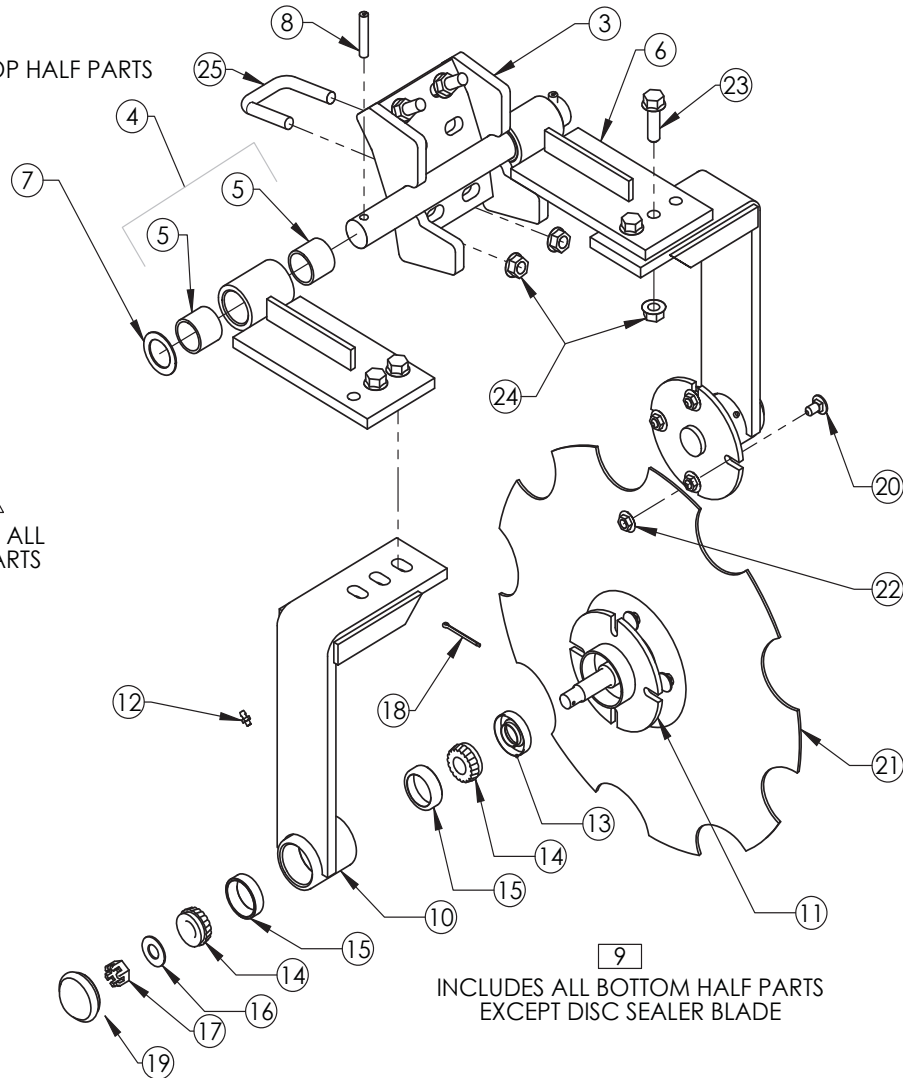
**PROPRIETARY AND CONFIDENTIAL**  
THE INFORMATION CONTAINED IN THIS DRAWING IS THE SOLE PROPERTY OF DALTON AG. ANY REPRODUCTION IN PART OR AS A WHOLE WITHOUT THE WRITTEN PERMISSION OF DALTON AG IS PROHIBITED.

**4410171 INDEPENDENT STYLE**

**2**  
INCLUDES ALL TOP HALF PARTS

**1**  
INCLUDES ALL LISTED PARTS

**9**  
INCLUDES ALL BOTTOM HALF PARTS EXCEPT DISC SEALER BLADE



**4410171, STANDARD DISC SEALER**

DRAWN BY	RICH SMOTHERS	10/21/2013
CHECKED BY		
PRINT DATE	6/28/2016	
CONFIG.	EXP VIEW	
COMMENTS:		



DWG: INDEPENDENT STYLE

SIZE	SHEET TITLE:	REV
<b>A</b>	B.O.M.	<b>A</b>

SCALE: 1:7

SHEET 1 OF 1