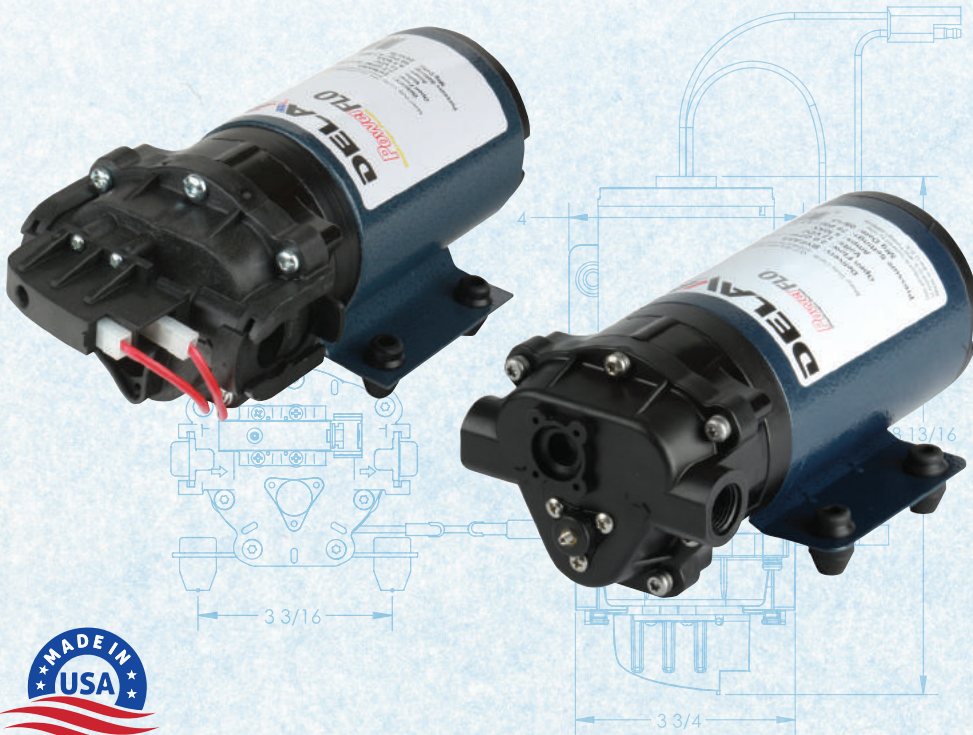


Diaphragm Pumps

Engineered for Excellence



3000 Series – 1.0 to 2.2 GPM Diaphragm Pump

Pump Type: Bypass, Demand, Bypass-Demand

Flow: Up to 2.2 GPM

Pressure: Up to 60 PSI

Valves: Viton

Diaphragm: Santoprene

Ports: 3/8" FNPT, 5/8" Quick Attach, 3/4" Quick Attach

Power: 12V – Wire Leads with 2-Pin Molded Connector, 115V AC Corded Plug

Weight: 6 lbs.

Packaging: Bulk Box, Retail Boxx

Shipping: 8 Per Carton Bulk, 8 Per Carton Retail

- 100% Factory Tested
- NSF Approved
- High Torque Motor for Superior Flow at Pressure
- Self-Priming
- Can be Run Dry
- Optional Motor Mounted ON/OFF Switch Available



Performance Specifications

1.0 GPM Demand

PSI	GPM	AMPS
0	1.15	2.4
10	1.08	3.17
20	1.02	3.52
30	0.95	4.01
40	0.85	4.32
50	0.8	4.59

2.0 GPM Demand

PSI	GPM	AMPS
0	2	3.8
10	1.87	4.65
20	1.8	5.3
30	1.75	6.05
40	1.7	6.6
50	1.67	7.27

2.2 GPM Demand

PSI	GPM	AMPS
0	2.2	3.66
10	1.92	4.7
20	1.88	5.35
30	1.79	6.17
40	1.7	6.96
50	1.62	7.66

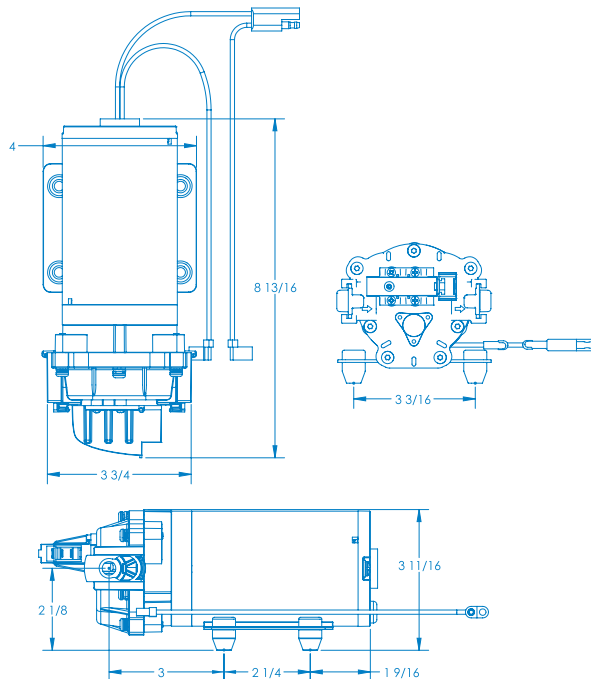
1.0 GPM Bypass

PSI	GPM	AMPS
0	1.25	2.86
10	1.2	3.63
20	1.12	4
30	1.1	4.45
40	1.05	4.87
50	1	5.25

2.0 GPM Bypass

PSI	GPM	AMPS
0	2	4.16
10	1.85	4.97
20	1.8	5.67
30	1.75	6.2
40	1.7	6.78
50	1.65	7.41

Demand



Bypass

