

2" High-Flow
Dura-Meter™



DURA PRODUCTS

INTRODUCING OUR NEW

2" AND 3" HIGH-FLOW DURA-METER™

- / Intuitive menu-driven backlit display
- / Impact resistant Lexan™ faceplate
- / 100% Moisture-sealed circuitry
- / Multiple plumbing options
- / Includes a 2-year Warranty & Maintenance Program

3" High-Flow
Dura-Meter™



SPECIFICATIONS

	2"	3"
Nominal Size	2"	3"
Connection	M220 Flange	M300 Flange
Model	Dura HFM 2	Dura HFM 3
Batteries	(2) 9 Volt	(2) 9 Volt
Accuracy	+ / - 0.5%	+ / - 0.5%
Backlit Display	Yes	Yes
GPM	15 - 300	15 - 700
Maximum Pressure	150 PSI	150 PSI
Wetted Materials	GF Polypropylene, Viton®, EPDM or Silicone seal, Sapphire	GF Polypropylene, Viton®, EPDM or Silicone seal, Sapphire

ORDERING INFORMATION

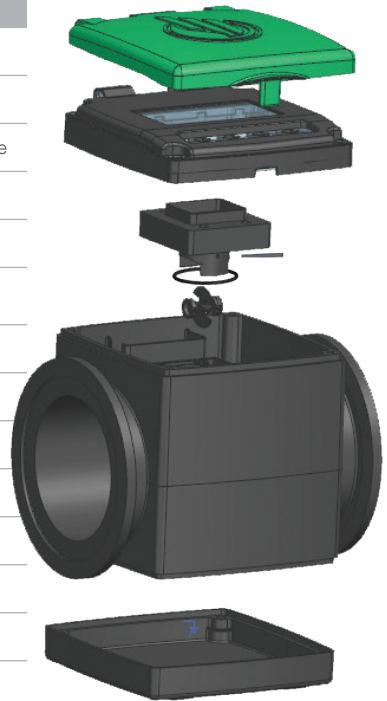
2"	DP-HFM2V Viton®	DP-HFM2E EPDM	DP-HFM2S Silicone
3"	DP-HFM3V Viton®	DP-HFM3E EPDM	DP-HFM3S Silicone

Must specify Viton® (**product # and V**),
EPDM (**product # and E**), or
Silicone (**product # and S**) when ordering.

2" HIGH-FLOW AND 3" HIGH-FLOW COMPARISON

Specifications	2"	3"
Nominal Size	2"	3"
Model	DP-HFM2	DP-HFM3
Connection	M220 flange	M300 flange
Meter Accuracy	+/- 0.5%	+/- 0.5%
Non-conductive Fluids	Yes	Yes
Fluid Flow Initiates Measurement	Yes	Yes
Battery Size/Voltage	(2) 9 Volt	(2) 9 Volt
Battery Life Indicator	Yes	Yes
Backlit Display	Yes	Yes
Maximum Pressure	150 PSI	150 PSI
Minimum GPM	15	15
Maximum GPM	300	700
Minimum Temp	+ 32 °F	+ 32 °F
Maximum Temp	+ 140 °F	+ 140 °F
Meter Type/Style	Paddlewheel	Paddlewheel
Body Construction Material	GF Polypropylene	GF Polypropylene
Paddle Bearing Construction Material	Sapphire	Sapphire
Electrodes Construction Material	No	No
Straight Inlet *	7" *	7" *
Straight Outlet *	7" *	7" *
Field Calibration Capability *	Yes *	Yes *

* Straight Inlet / Outlet Requirements are significantly reduced with Meter Calibration to achieve +/- 0.5% Accuracy



Moisture sealed circuitry.



Special Features

- / Easily serviced
- / Extended battery life with use of (2) 9V batteries
- / Fluid flow initiates measurement
- / Versatile plumbing configurations
- / Displays batch and total volume
- / Gallons / Liters flow rate measurement