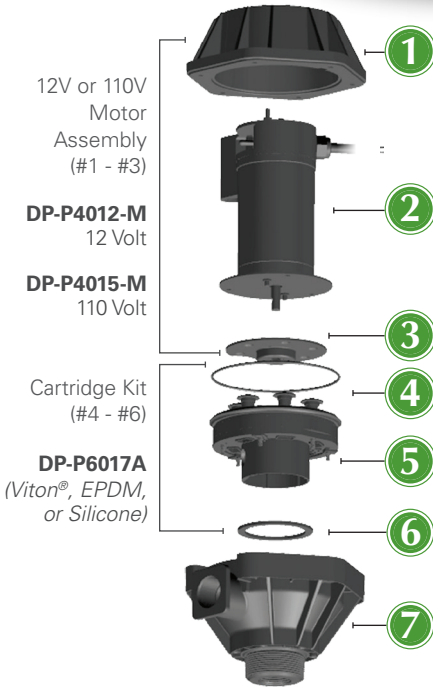


DURA-PUMP™

**NEW
FOR 2024**



- / High-Flow with up to 18GPM/68LPM flow rate; a 20% improvement in flow rate over our previous pump
- / Newly redesigned, simplified cartridge for easier serviceability
- / Self-priming diaphragm pump with internal by-pass
- / Motor thermally protected from overheating
- / 30-minute duty cycle
- / Suction port has 2" Male NPT and 1" Female NPT
- / Includes a 2-year Warranty & Maintenance Program

- 1** Upper Housing
DP-P4002A
- 2** 12V or 110V Motor
- 3** Drive Plate **DP-P6013A**
- 4** O-ring
DP-P4004AO (Viton®, EPDM, or Silicone)
- 5** Cartridge
DP-P6017A (Viton®, EPDM, or Silicone)
- 6** Bottom Gasket
DP-P4001AG (Viton®, EPDM, or Silicone)
- 7** Bottom Housing
DP-H4001A (Viton®, EPDM, or Silicone)

SPECIFICATIONS	
Check Valve	Internal; EPA 165.45 compliant
Vertical Suction Lift	Self-priming to 10ft, 3m
Power Cord	12 Volt: 20ft, 6m; 110 Volt: 6.5ft, 2m
Motor	1/4 HP, 186W
Amps	12 Volt: 18.5; 110 Volt: 2.0
Suction Port	2" Male and 1" Female NPT thread
Discharge Port	1" Female NPT thread
Wetted Materials	Polypropylene; Santoprene; Viton®, EPDM, or Silicone seals; 304 Stainless Steel, PVDF (Kynar®)

ORDERING INFORMATION	
12 VOLT	110 VOLT
DP-6018V-12 Viton®	DP-6018V-110 Viton®
DP-6018E-12 EPDM	DP-6018E-110 EPDM
DP-6018S-12 Silicone	DP-6018S-110 Silicone

Always turn pump off and disconnect system from power when not in use.