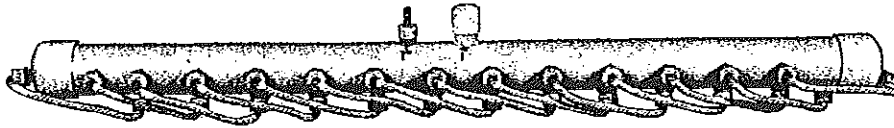


GREEN LEAF INCORPORATED®

- * Put filler cap on to slow flow.
- * Tighten nuts on rope.
- * Will Drip if held stationary.

• STRING WING •



Note check all fittings to insure they are tight before filling.
* Compression nuts should be hand tight only.

- Wick arrangement gives a double wipe which means an even application rate and a better kill.
- Because wicks run from top to bottom rather than side to side you never have to worry about the top row of wicks drying out as has been a problem on the first generation of wick applicators.
- 5' sections help reduce wicks from drying out when applying on uneven ground where the wick bar is constantly tilted.
- Build any length applicator you want with the "String Wing" — the convenient 5' sections allow you to build 10' - 15' - 20' etc. sections.
- The special design of alternating wicks on the end cap means when you put "String Wings" end to end you get full swath coverage. (No Spots Missed).
- Each "String Wing" has its own 1-1/4" fill opening and a breather to prevent vapor locking or pressure surges due to weather temperatures.

For Further Wick or Pressurizing Information Contact Green Leaf, Inc.®

OPERATION & CARE OF— MOUNTING:

1. Front of tractor.
2. Use a Hydraulic Cylinder to raise & lower wick bar as proceeding through field.
3. Mount so that the wicks are in a 3-6 o'clock position to treat weeds.
4. The lowest wick contact point of the weeds should be no less than 2" above the crop.

TIMING:

1. Treat when weeds are 8-10" above crop canopy.
2. Avoid wiping weeds that are dusty or wet from dew or rain.
3. If rain fall occurs within 6 hours after treatment, retreatment may be necessary.

HERBICIDE—

SOLUTION:

1. Mix only as manufacturers label recommends.
2. Use only clean water.

RESERVOIR:

1. Keep 1/2 full with parallel or 1/4 full with String Wing arrangement.
2. Keep vent wick clean to prevent vacuum lock.

SPEED:

1. Sparse infestation — 5 mph
2. Severe infestation — 2.5 mph
3. Pressurized Units — 5-7 mph

TRIPS:

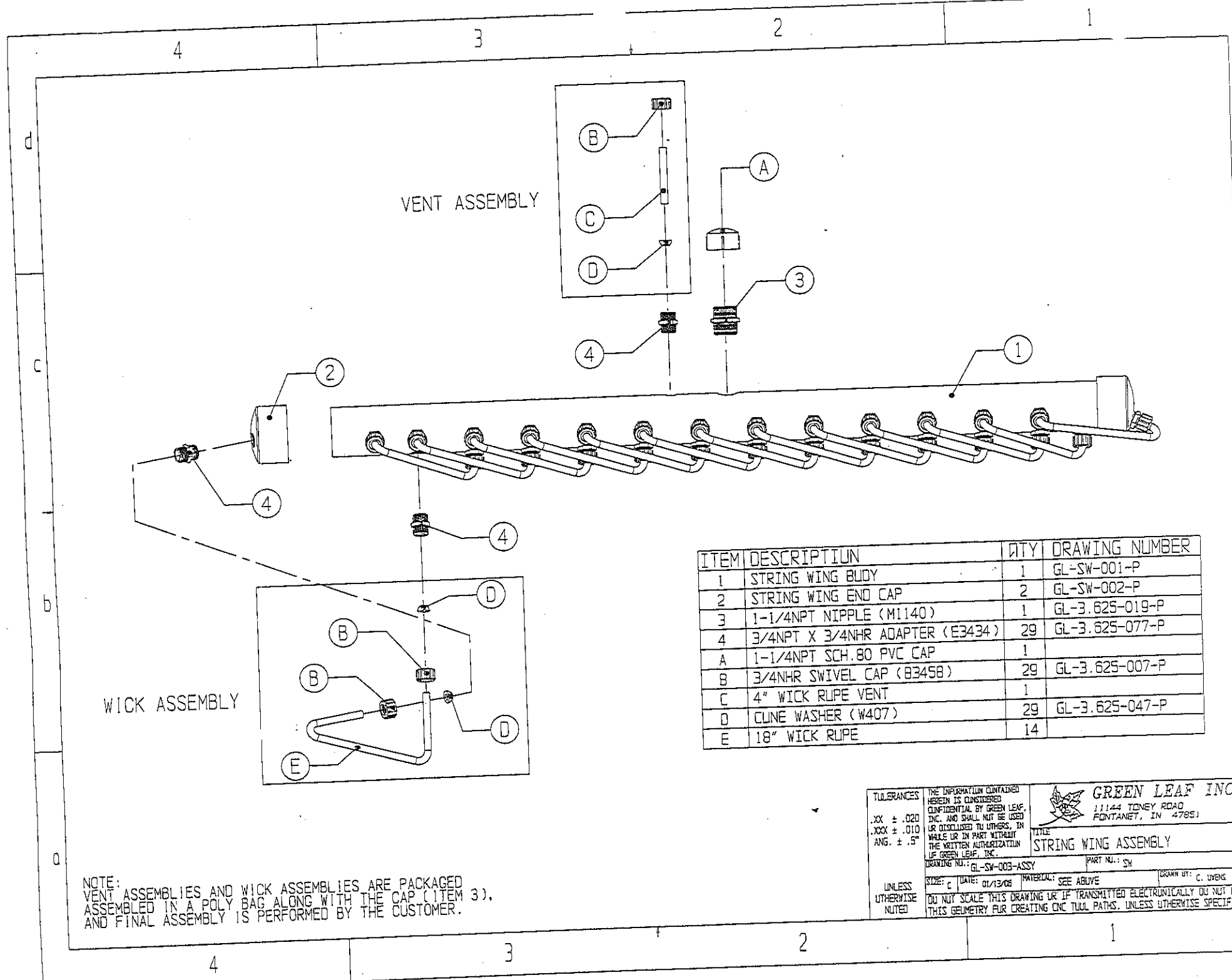
1. Light Infestation — One Trip
2. Heavy Infestation — Two directions, both in same day. Second application is in opposite direction of first.
3. Volunteer Crop—Normally one trip even when heavily infested.

CLEANING:

1. Wash wicks with a strong stream of water at the end of each days use.
2. When wiping milkweed, white say (latex) can build up on ropes. If this occurs wash as needed.
3. When finished for the season:
 - (A) Wash wicks as instructed above.
 - (B) Fill reservoir with water and let drip out 24-36 hours.
 - (C) Remove 1 1/4" fill fitting and make sure reservoir is drained.
 - (D) Cover and store where dust and dirt cannot settle on wicks.

ROPES:

1. Your Green Leaf® Applicator comes standard with a high quality medium flow wick, which we feel has the broadest range of use.
2. Green Leaf® recommends a nylon or polypropylene wick. NC or PW (Medium Flow)
3. If greater flow capacities are needed, we suggest pressurizing your applicator.
4. Fast flow wicks are available from Green Leaf®. However, we do not recommend for most use.




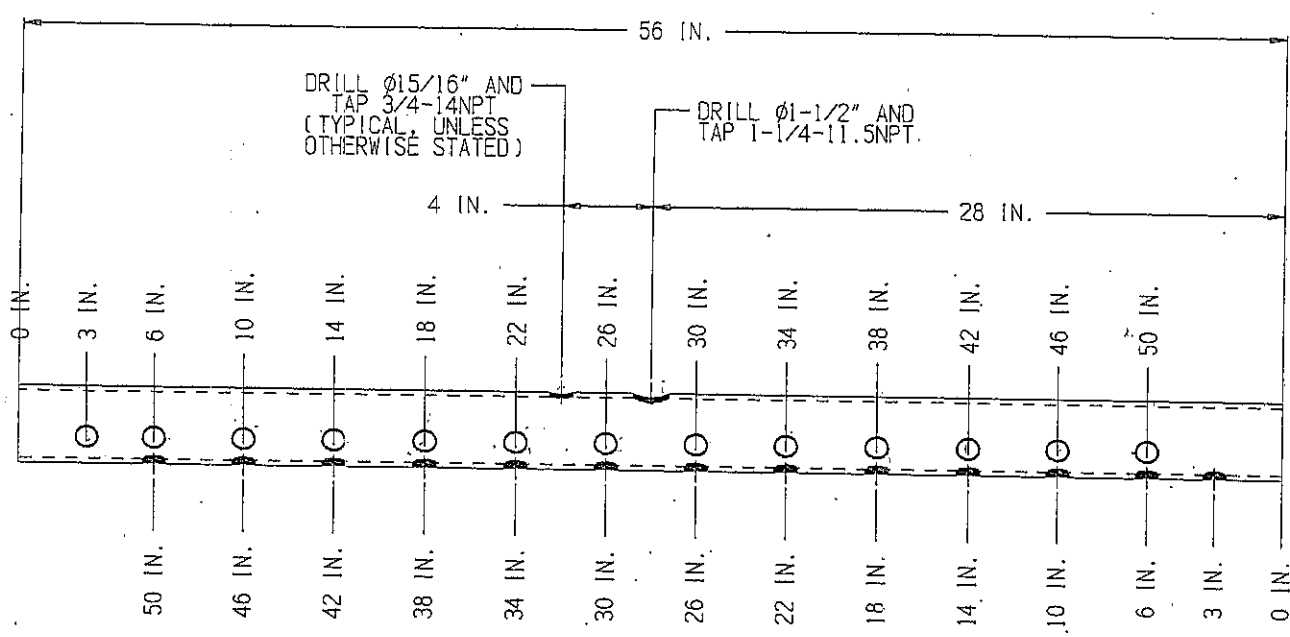
VENT ASSEMBLY

WICK ASSEMBLY

ITEM	DESCRIPTION	QTY	DRAWING NUMBER
1	STRING WING BODY	1	GL-SW-001-P
2	STRING WING END CAP	2	GL-SW-002-P
3	1-1/4NPT NIPPLE (M1140)	1	GL-3.625-019-P
4	3/4NPT X 3/4NHR ADAPTER (E3434)	29	GL-3.625-077-P
A	1-1/4NPT SCH.80 PVC CAP	1	
B	3/4NHR SWIVEL CAP (B3458)	29	GL-3.625-007-P
C	4" WICK RIPE VENT	1	
D	CLINE WASHER (W407)	29	GL-3.625-047-P
E	18" WICK RIPE	14	

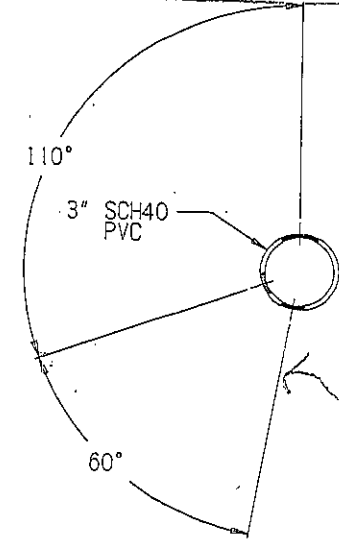
NOTE:
 VENT ASSEMBLIES AND WICK ASSEMBLIES ARE PACKAGED
 ASSEMBLED IN A POLY BAG ALONG WITH THE CAP (ITEM 3).
 AND FINAL ASSEMBLY IS PERFORMED BY THE CUSTOMER.

TOLERANCES .XX ± .020 .XXX ± .010 ANG. ± .5°	THE INFORMATION CONTAINED HEREIN IS CONSIDERED CONFIDENTIAL BY GREEN LEAF, INC. AND SHALL NOT BE USED OR DISCLOSED TO OTHERS, IN WHOLE OR IN PART WITHOUT THE WRITTEN AUTHORIZATION OF GREEN LEAF, INC.	 GREEN LEAF INC. 11144 TONEY ROAD FONTANET, IN 47851	TITLE
			STRING WING ASSEMBLY
UNLESS OTHERWISE NOTED	DRAWING NO.: GL-SW-003-ASSY	PART NO.: SW	DRAWN BY: C. UYENS
	DATE: 01/13/08	MATERIAL: SEE ABOVE	
DO NOT SCALE THIS DRAWING OR IF TRANSMITTED ELECTRONICALLY DO NOT USE THIS GEOMETRY FOR CREATING CNC TOOL PATHS, UNLESS OTHERWISE SPECIFIED.			

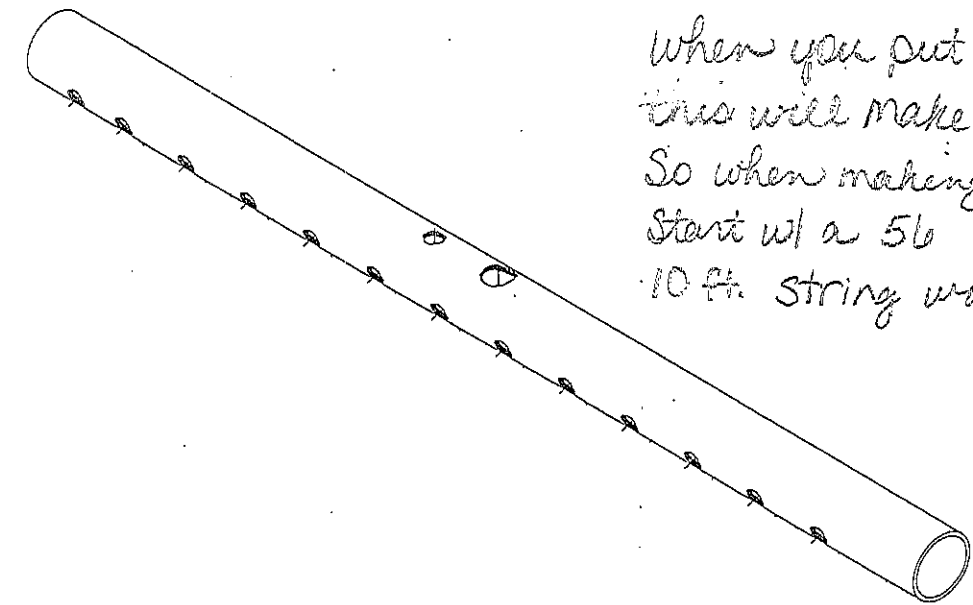


Can only be used

3" Schedule 40 pipe



Sch 80 will NOT WORK (thinner wall which causes a different radius for this and the other fittings won't work either)



When you put the end caps on, this will make it a true 5 ft. pipe. So when making their own string wing, start w/ a 56 in" pvc pipe. With a 10 ft. string wing, start w/ a 112" pvc pipe.

TOLERANCES .XX ± .020 .XXX ± .010 ANG. ± .5°	UNLESS OTHERWISE NOTED		THE INFORMATION CONTAINED HEREIN IS CONSIDERED CONFIDENTIAL BY GREEN LEAF, INC. AND SHALL NOT BE USED OR DISCLOSED TO OTHERS, IN WHOLE OR IN PART, WITHOUT THE WRITTEN AUTHORIZATION OF GREEN LEAF, INC. DRAWING NO.: GL-SW-001-P	GREEN LEAF INC. 11144 TONEY ROAD FONTANET, IN 47851
	SIZE: C DATE: 01/13/06 MATERIAL: 3" SCH40 PVC PIPE	PART NO.: NA DRAWN BY: C. OWENS	TITLE STRING WING BODY	
DO NOT SCALE THIS DRAWING OR IF TRANSMITTED ELECTRONICALLY DO NOT USE THIS GEOMETRY FOR CREATING CNC TOOL PATHS, UNLESS OTHERWISE SPECIFIED.				