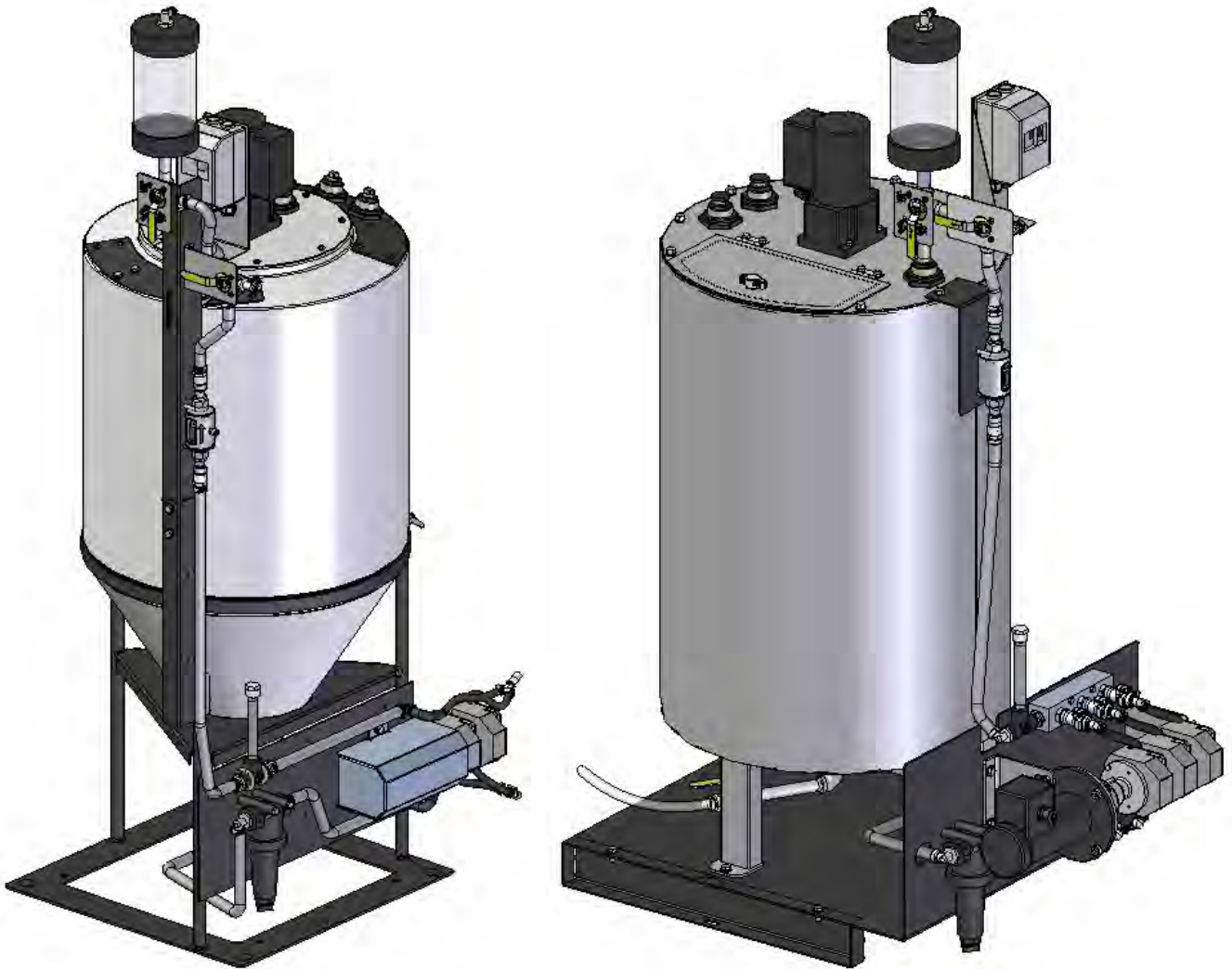


UNIVERSAL PUMP STAND

Operators Manual



Document: TD-09-06-1038

Revision: B



INTRODUCTION

Thank you for choosing USC, LLC for your equipment needs. We appreciate your business and will work diligently to ensure that you are satisfied with your choice.

OVERVIEW

The purpose of this manual is to provide you with the basic information needed to operate and maintain the Universal Pump Stand. It does not hold USC, LLC liable for any accidents or injuries that may occur.

OPERATOR RESPONSIBILITIES

As the purchaser/owner/operator of this equipment and control system, you have an obligation to install, operate, and maintain the equipment in a manner that minimizes the exposure of people in your care to any potential hazards inherent in using this equipment. It is critical that the owner of this equipment:

- Has a clear and documented understanding of the process this machine is being used in and of any resulting hazards or special requirements arising from this specific application.
- Allow only properly trained and instructed personnel to install, operate, or service this equipment.
- Maintain a comprehensive safety program involving all who work with this machine and other associated process equipment.
- Establish clear areas of staff responsibility (e.g. operation, setup, sanitation, maintenance, and repairs).
- Provide all personnel with necessary safety equipment.
- Periodically inspect the equipment to insure that the doors, covers, guards, and safety devices are in place and functioning, that all safety instructions and warning labels are intact and legible, and that the equipment is in good working order.
- In addition to the operating instructions, observe and enforce the applicable legal and other binding regulations, national and local codes.

As the person with the most to gain or lose from working safely, it is important that you work responsibly and stay alert. By following a few simple rules, you can prevent an accident that could injure or kill you or a co-worker.

UNIVERSAL PUMP STAND

- Do not operate, clean, or service this equipment until you have read and understood the contents of this manual. If you do not understand the information in this manual, bring it to the attention of your supervisor, or call USC at (785) 431-7900 for assistance.
- Any operator who is known or suspected to be under the influence of alcohol or drugs should not be allowed to operate the equipment.
- Understand and follow the safety practices required by your employer and this manual.
- **PAY ATTENTION** to what you and other personnel are doing and how these activities may affect your safety.
- **Failure to follow these instructions may result in serious personal injury or death.**

RECEIVING YOUR EQUIPMENT

As soon as the equipment is received, it should be carefully inspected to make certain that it has sustained no damage during shipment and that all items listed on the packing list are accounted for. If there is any damage or shortages, the purchaser must immediately notify USC, LLC. Ownership passes to purchaser when the unit leaves the USC, LLC. premises. The purchaser is responsible for unloading and mounting all components of the equipment.

Document the serial number of the machine for future reference. The serialization label is located on the frame near the pump motor and the filter.



*Serial
Number*

SERIAL NUMBER: _____

TABLE OF CONTENTS

<u>Section</u>	<u>Contents</u>	<u>Page #</u>
Section A	Safety Instructions.....	5
Section B	Installation	14
Section C	Mechanical Operation.....	17
	Pump Stand Overview - Poly Tank	17
	Pump Stand Overview - Stainless Steel Tank.....	18
	Mix Tank, Calibration Tube	19
	Peristaltic Pump Heads & Pump Motor	20
	Pump Stand Valves - Poly Tank.....	21
	Pump Stand Valves - Stainless Steel Tank.....	22
	Flow Meter	23
Section D	Electrical Operation	24
	Troubleshooting	24
Section E	Maintenance	25
Section F	Storage.....	28
Section G	Mechanical Drawings	30
Section H	Limited Warranty.....	93

SAFETY INSTRUCTIONS

SECTION A

Every year accidents in the work place maim, kill and injure people. Although it may be impossible to prevent all accidents, with the right combination of training, operating practices, safety devices, and operator vigilance, the number of accidents can be significantly reduced. The purpose of this section is to educate equipment users about hazards, unsafe practices, and recommended hazard avoidance techniques.

If any of the required regularly scheduled maintenance is located above the reach of the operator, they should follow the companies normal safe practices of reaching that particular height, utilizing the companies specified equipment and following normal safety precautions.

When working with treatment chemicals, operators should always wear protective gloves, safety glasses, and follow the companies safety precautions in the case of any spillage or operator contamination.

SAFETY WORDS AND SYMBOLS

It is very important that operators and maintenance personnel understand the words and symbols that are used to communicate safety information. Safety words, their meaning and format, have been standardized for U.S. manufacturers and published by the American National Standards Institute (ANSI). The European Community (E.C.) has adopted a different format based on the International Standards Organization (I.S.O.) and applicable machinery directives. Both formats are presented below. Graphic symbols are not standardized, but most manufacturers will use some variation of the ones seen in this manual.

MOTS ET SYMBOLES SÉCURITÉ

Il est très important que les opérateurs et le personnel d'entretien à comprendre les mots et les symboles qui sont utilisés pour communiquer des informations de sécurité. Mots de sécurité, de leur signification et le format, ont été normalisés pour les fabricants américains et publié par l' American National Standards Institute (ANSI). La Communauté européenne (CE) a adopté un format différent sur la base de l'Organisation internationale de normalisation (ISO) et des directives de machines applicables. Les deux formats sont présentés ci-dessous. Les symboles graphiques ne sont pas standardisés, mais la plupart des fabricants utilisent une variante de ceux observés dans ce manuel.

UNIVERSAL PUMP STAND



Indicates an imminently hazardous situation which, if not avoided, **will** result in death or serious injury.



Indique une situation extrêmement dangereuse qui, si pas évitée, entraînera la mort ou des blessures graves.



Indicates a potentially hazardous situation which, if not avoided, **could** result in death or serious injury.



Indique une situation potentiellement dangereuse qui, si pas évitée, pourrait entraîner la mort ou des blessures graves.



Indicates a potentially hazardous situation which, if not avoided, **may** result in minor or moderate injury and/or property damage.



Indique une situation potentiellement dangereuse qui, si pas évitée, peut entraîner des blessures mineures ou modérées et / ou des dommages.



Provides additional information that the operator needs to be aware of to avoid a potentially hazardous situation.



Fournit des informations supplémentaires que l'opérateur doit être conscient de d'éviter une situation potentiellement dangereuse.



Notice is used to notify people of important installation, operation or maintenance information which is not hazard related.



Avis est utilisé pour informer les gens des informations de maintenance qui ne est pas danger lié importante installation, l'exploitation ou.



Mandatory Lockout Power Symbol. Disconnect, lockout and tagout electrical and other energy sources before inspecting, cleaning or performing maintenance on this panel.

Symbole de puissance verrouillage obligatoire. Débranchez, de verrouillage et de déconsignation énergie électrique et d'autres sources avant d'inspecter, de nettoyage ou de la maintenance de ce panneau.



International Safety Alert Symbol. The exclamation point (!) surrounded by a yellow triangle indicates that an injury hazard exists. However, it does not indicate the seriousness of potential injury. The exclamation point (!) is also used with the DANGER, WARNING and CAUTION symbols so the potential injury is indicated.

Sécurité Symbole International Alert . Le point d'exclamation (!) Entouré par un triangle jaune indique que un risque de blessure existe . Cependant, il ne indique pas la gravité des blessures potentielles. Le point d'exclamation (!) Est également utilisé avec les symboles DANGER, AVERTISSEMENT et ATTENTION de sorte que le risque de blessure est indiqué.



Electrocution Hazard Symbol. This symbol indicates that an electrocution hazard exists. Serious injury or death could result from contacting high voltage.

Symbole de danger d'électrocution . Ce symbole indique qu'un danger d'électrocution existe. Des blessures graves ou la mort pourraient résulter de contact haute tension.



International Electrocution Hazard. This symbol indicates that an electrocution hazard exists. Serious injury or death could result from contacting high voltage.

Danger d'électrocution international. Ce symbole indique qu'un danger d'électrocution existe. Des blessures graves ou la mort pourraient résulter de contact haute tension.



Mandatory Read Manual Action Symbol. (I.S.O. format) This symbol instructs personnel to read the Operators Manual before servicing or operating the equipment.

Obligatoire Lire Symbole d'action Manuel. (Format ISO)
Ce symbole indique le personnel de lire le manuel de l'opérateur avant de réparer ou d'utiliser l'équipement.



Mandatory Read Manual Action Symbol. This symbol instructs personnel to read the Operators Manual before servicing or operating the equipment.

Obligatoire Lire Symbole d'action Manuel . Ce symbole indique le personnel de lire le manuel de l'opérateur avant de réparer ou d'utiliser l'équipement.

LOCKOUT / TAGOUT PROCEDURES

Lockout/Tagout is the placement of a lock/tag on an energy isolating device in accordance with an established procedure. When taking equipment out of service to perform maintenance or repair work, always follow the lockout / tagout procedures as outlined in ANSI Z344.1 and/or OSHA Standard 1910.147. This standard “requires employers to establish a program and utilize procedures for affixing appropriate lockout devices or tagout devices to energy isolating devices and to otherwise disable machines or equipment to prevent unexpected energizing, start-up, or release of stored energy in order to prevent injury to employees.”

LES PROCEDURES DE VERROUILLAGE / ETIQUETAGE

Verrouillage / étiquetage est le placement d'un verrouillage / tag sur un dispositif d'isolement de l'énergie conformément à une procédure établie. Lors de la prise hors service des équipements pour effectuer la maintenance ou de réparation, toujours suivre les procédures de verrouillage / débranchement comme indiqué dans la norme ANSI Z344.1 et / ou la norme OSHA 1910.147. Cette norme "oblige les employeurs à établir un programme et appliquer des procédures pour la fixation des dispositifs de verrouillage appropriés ou des dispositifs déconsignation à l'énergie dispositifs d'isolement et d' autre machines ou équipements désactiver pour éviter énergisant inattendu, start-up, ou la libération de l'énergie stockée dans le but de prévenir les blessures aux employés."

HAZARD REVIEW

RISQUE EXAMEN

Electrocution Hazard



Electrocution accidents are most likely to occur during maintenance of the electrical system or when working on or near exposed high voltage wiring. This hazard does not exist when the electrical power has been disconnected, properly locked, and tagged out.

Risque d'électrocution

Les accidents d'électrocution sont les plus susceptibles de se produire lors de la maintenance du système électrique ou pour travailler sur ou à proximité du câblage haute tension exposé. Ne existe pas ce danger lorsque l'alimentation électrique a été déconnecté, bien verrouillé et étiquetés sur.

Automatic Start Hazard



This equipment may be controlled by an automated system and may start without warning. Failure to properly disconnect, lockout, and tagout all energy sources of remotely controlled equipment creates a very hazardous situation and could cause injury or even death. PLEASE STAY CLEAR AND BE ALERT.

Démarrer danger automatique



Cet équipement peut être contrôlé par un système automatisé et peut démarrer sans avertissement. Sources de l'équipement contrôlé à distance non débranché correctement, lock-out, et tous déconsignation énergie crée une situation très dangereuse et pourrait causer des blessures ou même la mort. Se IL VOUS PLAÎT rester à l'écart et d'être vigilant.

UNIVERSAL PUMP STAND

YOU are responsible for the **SAFE** operation and maintenance of your USC, LLC equipment . **YOU** must ensure that you and anyone else who is going to operate, maintain, or work around the treater be familiar with the operating and maintenance procedures and related **SAFETY** information contained in this manual. This manual will take you step-by-step through your working day and alert you to good safety practices that should be adhered to while operating the treater.

Remember, **YOU** are the key to safety. Good safety practices not only protect you, but also the people around you. Make these practices a working part of your safety program. Be certain that **EVERYONE** operating this equipment is familiar with the recommended operating and maintenance procedures and follows all the safety precautions. Most accidents can be prevented. Do not risk injury or death by ignoring good safety practices.

- Equipment owners must give operating instructions to operators or employees before allowing them to operate the machine, and at least annually thereafter per OSHA (Occupational Safety and Health Administration) regulation 1928.57.
- The most important safety device on this equipment is a **SAFE** operator. It is the operator's responsibility to read and understand **ALL** Safety and Operating instructions in the manual and to follow them. All accidents can be avoided.
- A person who has not read and understood all operating and safety instructions is not qualified to operate the machine. An untrained operator exposes himself and bystanders to possible serious injury or death.
- Do not modify the equipment in any way. Unauthorized modification may impair the function and/or safety and could affect the life of the equipment.
- Think SAFETY! Work SAFELY!

GENERAL SAFETY

1. Read and understand the Operator's Manual and all safety labels before operating, maintaining, adjusting or unplugging the seed treater .
2. Only trained persons shall operate the seed treater. An untrained operator is not qualified to operate the machine.
3. Have a first-aid kit available for use should the need arise, and know how to use it.



UNIVERSAL PUMP STAND

4. Provide a fire extinguisher for use in case of an accident. Store in a highly visible place.
5. Do not allow children, spectators or bystanders within hazard area of machine.
6. Wear appropriate protective gear. This includes but is not limited to:
 - A hard hat
 - Protective shoes with slip resistant soles
 - Protective goggles
 - Heavy gloves
 - Hearing protection
 - Respirator or filter mask
7. Place all controls in neutral or off, stop motor, and wait for all moving parts to stop. Then disable power source before servicing, adjusting, repairing, or unplugging.
8. Review safety related items annually with all personnel who will be operating or maintaining the Equipment.



OPERATING SAFETY:

1. Read and understand the Operator's Manual and all safety labels before using.
2. Disconnect and disable electrical supply completely and wait for all moving parts to stop before servicing, adjusting, repairing or unplugging.
3. Clear the area of bystanders, especially children, before starting.
4. Be familiar with the machine hazard area. If anyone enters hazard area, shut down machine immediately. Clear the area before restarting.
5. Keep hands, feet, hair and clothing away from all moving and/or rotating parts.
6. Stay away from overhead obstructions and power lines during operation and transporting. Electrocutation can occur without direct contact.
7. Do not operate machine when any guards are removed.
8. Inspect welds and repair if needed.

PLACEMENT SAFETY

1. Move only with the appropriate equipment
2. Stay away from overhead power lines when moving equipment. Electrocution can occur without direct contact.
3. Be familiar with machine hazard area. If anyone enters hazard areas, shut down machine immediately. Clear the area before restarting.
4. Operate the equipment on level ground free of debris. Anchor the equipment to prevent tipping or upending.



Before placement of the equipment, be sure that ground is reasonably level. The equipment may topple or work improperly if the ground is too uneven, damaging the equipment and / or causing personal injury.



Avant de placement de l'équipement, assurez-vous que sol est relativement plat. L'équipement peut tomber ou mal fonctionner si le sol est trop inégale, endommager l'équipement et / ou causer des blessures.

MAINTENANCE SAFETY

1. Review the operator's manual and all safety items before working with, maintaining or operating the equipment .
2. Place all controls in neutral or off, stop motors, disable power source, and wait for all moving parts to stop before servicing, adjusting, repairing or unplugging.
3. Follow good shop practices:
Keep service area clean and dry.
Be sure electrical outlets and tools are properly grounded.
Use adequate light for the job at hand.
4. Keep hands, feet, hair and clothing away from all moving and/or rotating parts.
5. Clear the area of bystanders, especially children, when carrying out any maintenance and repairs or making any adjustments.
6. Before resuming work, install and secure all guards when maintenance work is completed.
7. Keep safety labels clean. Replace any sign that is damaged or not clearly visible.



SAFETY LABELS

1. Keep safety labels clean and legible at all times.
2. Replace safety labels that are missing or have become illegible.
3. Replaced parts that displayed a safety sign should also display the current sign.
4. Replacement safety labels are available. Contact USC at (785) 431-7900 .

How to Install Safety Labels:

- Be sure that the installation area is clean and dry.
- Be sure temperature is above 50°F (10°C).
- Decide on the exact position before you remove the backing paper.
- Remove the smallest portion of the split backing paper.
- Align the sign over the specified area and carefully press the small portion with the exposed sticky backing in place.
- Slowly peel back the remaining paper and carefully smooth the remaining portion of the sign in place.
- Small air pockets can be pierced with a pin and smoothed out using the piece of sign backing paper.



Located on the USC equipment you will find safety labels. Always be sure to read and follow all directions on the labels.



Situé sur l'équipement USC vous trouverez des étiquettes de sécurité. Veuillez à toujours lire et suivre toutes les instructions sur les étiquettes.



Guards provided with USC equipment are to remain in place during operation.



Gardes fournis avec des équipements USC doivent rester en place pendant le fonctionnement.

SECTION
B**INSTALLATION**

HIGH VOLTAGE ~ Always disconnect the power source before working on or near the control panel or lead wires.



HAUTE TENSION ~ Toujours débrancher la source d'alimentation avant de travailler sur ou près du panneau de commande ou les câbles.



HIGH VOLTAGE ~ Use insulated tools when making adjustments while the controls are under power.



HAUTE TENSION ~ Utilisez des outils isolés lors des réglages, tandis que les commandes sont sous tension.

NOTICE

Permanent installation may require additional electrical cords, chemical tubing, and air lines, since each installation is unique.

AVIS

Installation permanente peut exiger cordons électriques, des tubes supplémentaires chimique, et les conduites d'air, puisque chaque installation est.

USC equipment operates within a Group, II Class G hazardous area which contains seed dust. To avoid the possibility of an explosion ignited by static electricity, all USC equipment should be grounded by attaching a bonding strip to the metal frame and securing that strip to the factory ground point.

If labeled accordingly, USC products are designed to comply with CSA 22.1 for use in a Class II, Division 2, Group G environment. When connecting the USC system power cord into a power supply, first determine if the supply is also within the hazardous area where the USC system is located. If so, we recommend that the power be hard wired into the source. Do not use a standard electrical plug for this purpose. For other acceptable methods of connecting to a power source, or any other additional miscellaneous equipment to the USC system within a hazardous location, please consult CSA 22.1, Section 18-200 and 18-274. Review the appropriate section and ensure compliance with one of the options given.

When connecting to USC equipment from a remote location, and the USC equipment is in a hazardous Class II, Group G environment, customers are advised to follow the requirements within CSA 22.2 no. 25. More details may also be found in CSA 22.1 18-252 (wiring methods). There are various options covered within this section for wiring in a Class II, Group G (dust) environment. Select the best method suited for your specific location.

UNIVERSAL PUMP STAND

Équipements USC opère dans un groupe, II Classe G zone dangereuse qui contient la poussière des semences. Pour éviter la possibilité d'une explosion enflammé par l'électricité statique, tous les équipements USC devrait être mise à la terre en fixant une bande de liaison à la structure métallique et la sécurisation cette bande au point de masse du fabricant.

Si étiquetés en conséquence, les produits USC sont conçus pour être conformes à la norme CSA 22.1 pour une utilisation dans une Classe II, Division 2, Groupe G environnement. Lors du raccordement du USC alimentation du système cordon dans une alimentation, d'abord déterminer si l'offre est également dans la zone dangereuse où se trouve le système USC. Si oui, nous recommandons que le pouvoir soit câblé dans la source. Ne pas utiliser une prise électrique standard à cet effet. Pour les autres méthodes acceptables de se connecter à une source d'alimentation, ou tout autre matériel divers supplémentaire au système USC dans un endroit dangereux, se il vous plaît consulter la norme CSA 22.1, Section 18-200 et 18-274. Consultez la section appropriée et assurer la conformité avec l'une des options proposées.

Lors de la connexion à l'équipement USC depuis un emplacement distant et l'équipement USC est dans une classe dangereuse II, Groupe G environnement, les clients sont invités à suivre les exigences dans CSA 22.2 no. 25. Plus de détails peuvent également être trouvés dans 22,1 CSA 18-252 (Les méthodes de câblage). Il existe diverses options couvertes dans cette section pour le câblage dans une Classe II, Groupe G (poussière) environnement. Sélectionnez la meilleure méthode adaptée pour votre emplacement spécifique.

PUMP STAND SET - UP

The following steps outline the initial set-up of your Universal Pump Stand:

1. Clear the area of bystanders, especially small children, before moving.
2. Be sure there is enough clearance from overhead obstructions and power lines or other equipment to move the pump stand(s) into its working position.
3. Using a forklift, place the pump stand in the desired position on a level surface.

NOTICE

USC highly recommends that the pump stand be set up inside a building or any covered structure to protect the machine from weathering.

AVIS

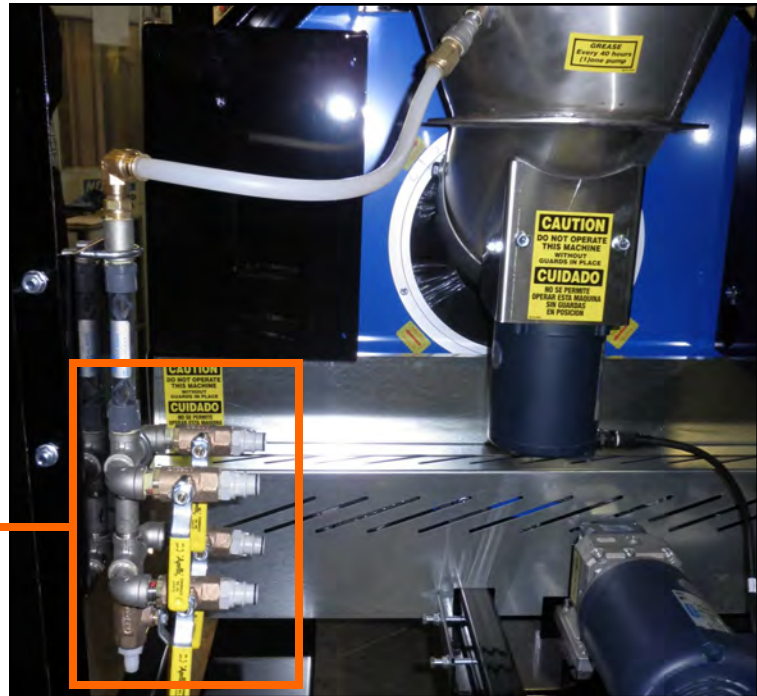
USC recommande fortement que le support de pompe sera installée à l'intérieur d'un bâtiment ou d'une structure couverte pour protéger la machine des intempéries.

UNIVERSAL PUMP STAND

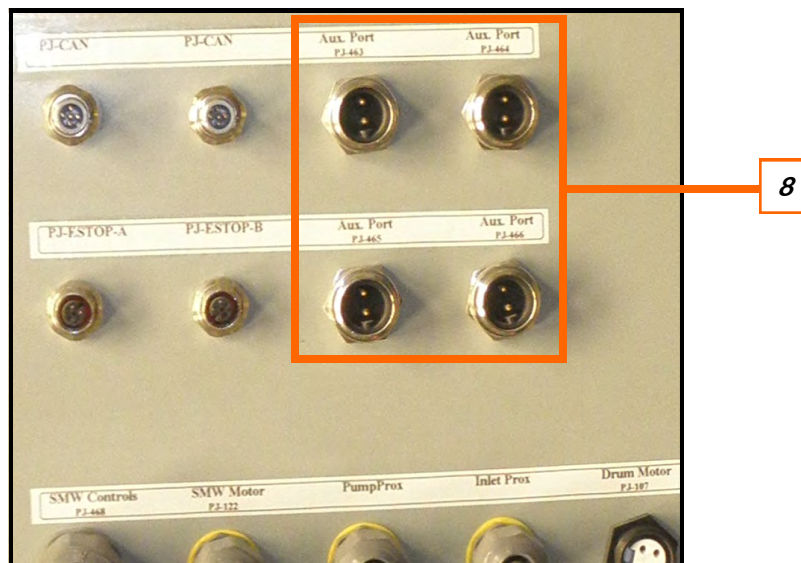
PUMP STAND SET - UP

4. Inspect machine thoroughly for screws, bolts, fittings, etc. which may have come loose during shipping.
5. The pump stand(s) should be placed on level ground close to the seed treater.

6. Attach the chemical tubing from the pump stand(s) to the atomizer plumbing on the seed treater (right). Additional tubing can be added or removed to accommodate your set-up.

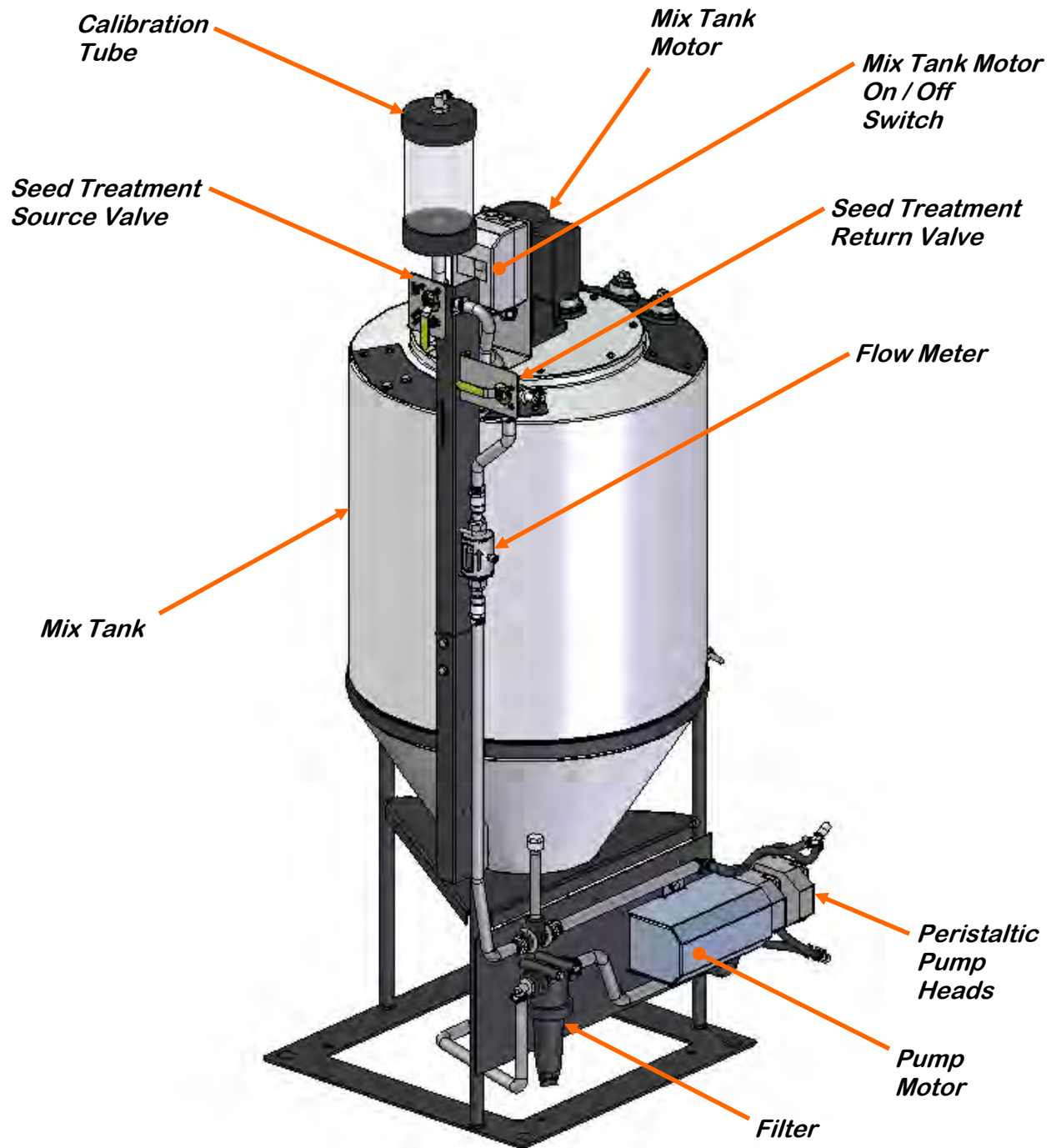


7. When connecting to a manual treater, attach the communication cable from the pump stand(s) control panel to the applicable port on the Treater Control Panel . (below)

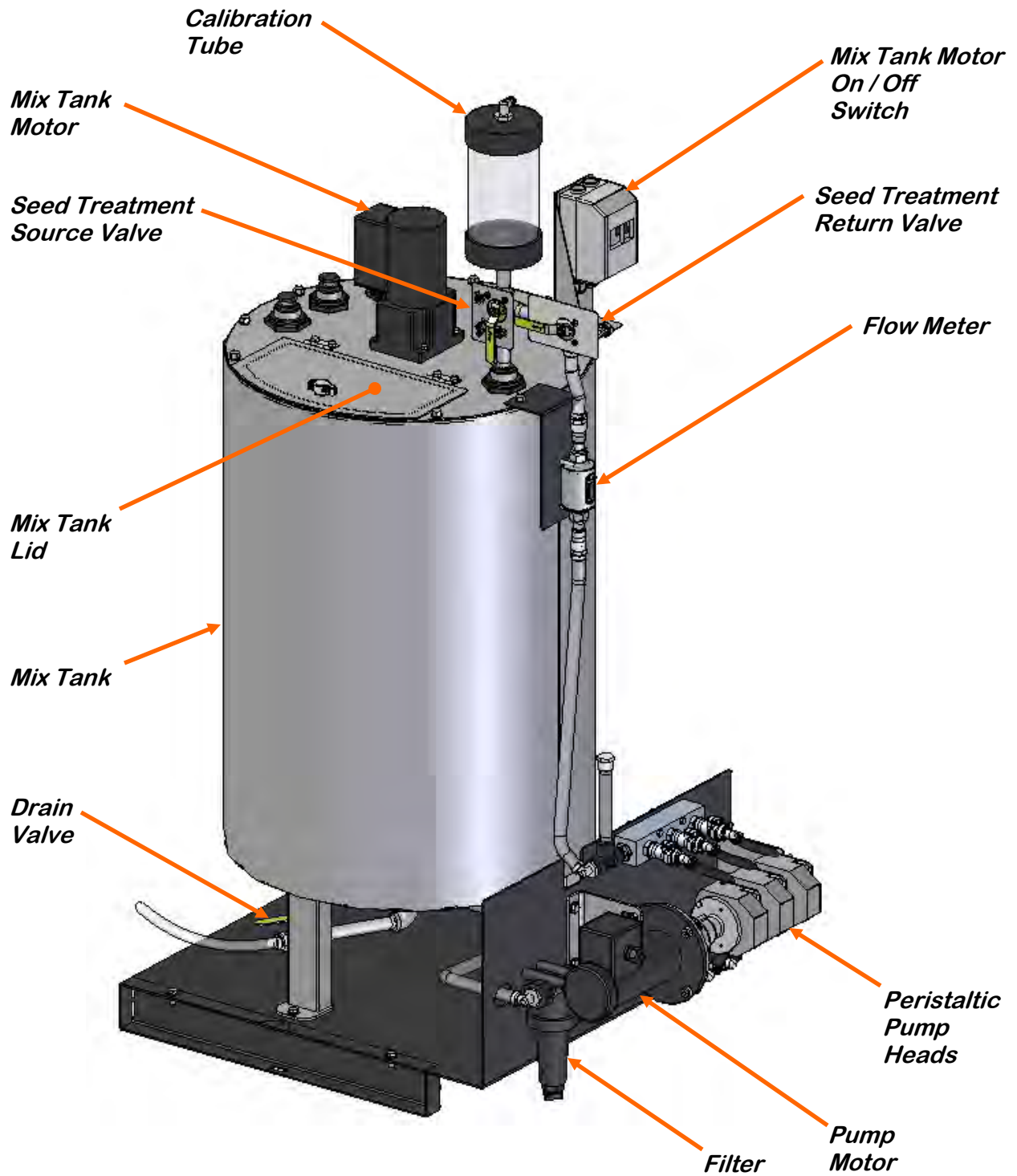


MECHANICAL OPERATION

PUMP STAND OVERVIEW (POLY TANK)



PUMP STAND OVERVIEW (STAINLESS STEEL TANK)



UNIVERSAL PUMP STAND

MIX TANK

The pump stand includes a choice of 15 or 55 gallon poly, 30 or 60 gallon stainless steel chemical mix tank. This chemical mix tank will have electric drive agitation that is turned on or off at the pump stand with a manual switch. The agitator should be running at all times when treatment is present in the mix tank to keep the chemical mixed and in a suspended state. The tank is equipped with a shut-off, drain plug, and drain valve located on the bottom. The top of the tank also includes 3 extra ports which the operator can use to direct fill into the tank.



CALIBRATION TUBE

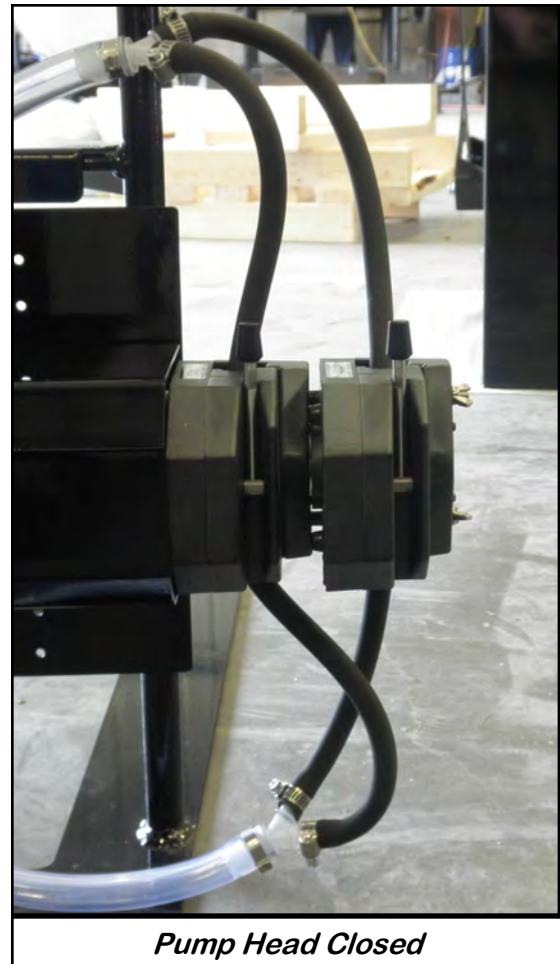
The Universal Pump Stand is equipped with a calibration tube which is used to check the liquid flow rate. The calibration tube measures in ounces on a 0 - 44 scale. Manual valves direct liquid from different areas to keep all liquid contained. This creates a closed chemical system so that the operator can manually check the calibration of the chemical flow rate without handling any of the chemical.



PERISTALTIC PUMP HEADS AND MOTOR

The Universal Pump Stand utilizes a variable speed pump motor and special noprrene pump tubing for liquid metering. The pump comes equipped with either 1, 2 or 3 peristaltic pump heads. Liquid will only come into contact with the inside diameter of the pump tubing and not the pump. This allows for easy cleanup and less maintenance of the pump.

To open the pump head, push the lever down. Place the pump tubing inside the pump head so it fits inside the notches and above the rollers. Lift the lever back up to close the pump head, clamping the hose inside the head. Wear or fatiguing of the tubing within the pump head due to compression is normal. When tubing becomes worn or chemical rates begin to slow down, open the pump head and move the tubing to a different position. If the entire piece of tubing becomes worn, simply replace with a new section. When not using the pump stand for several days or when storing, open the pump head and remove the tubing to prevent any extra compression.

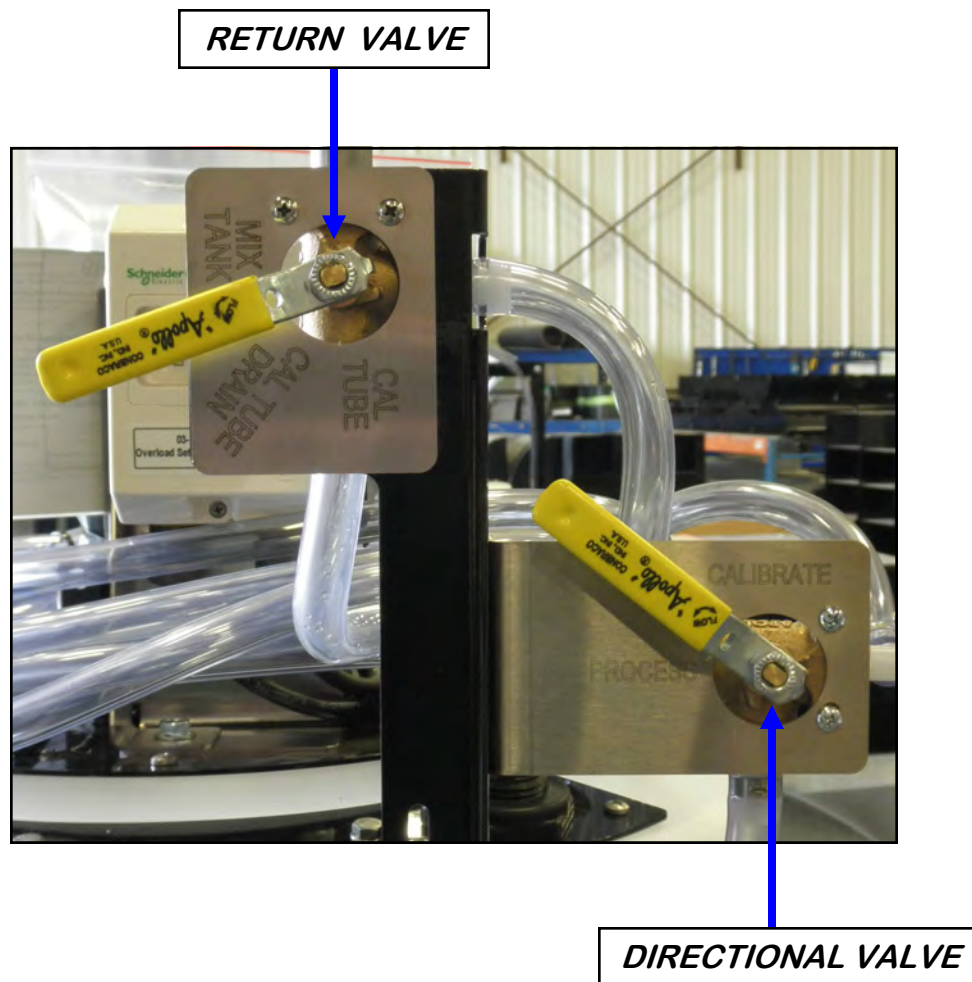


UNIVERSAL PUMP STAND

POLY TANK PUMP STAND VALVES

SEED TREATMENT DIRECTIONAL VALVE: This valve directs the liquid coming from the bottom of the mix tank. When set to CALIBRATE, it flows to the return valve. When set to PROCESS, it flows to the seed treater.

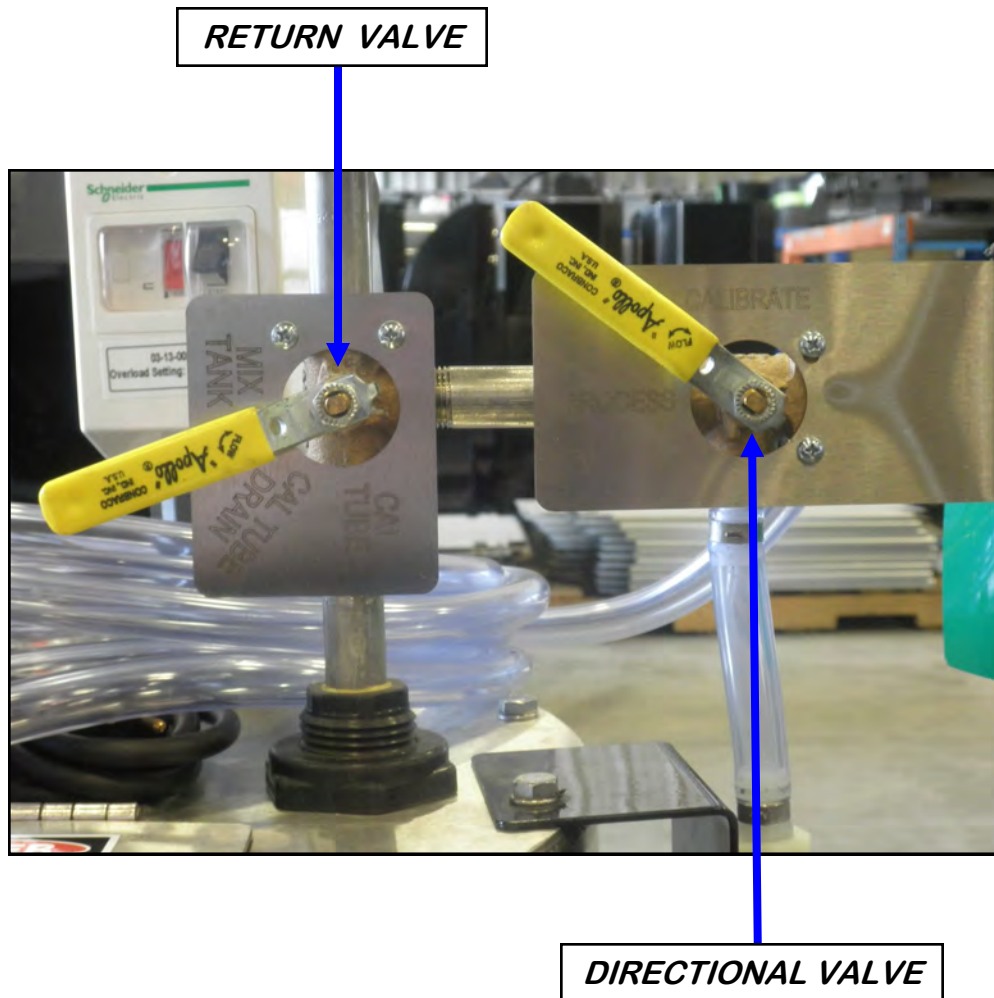
SEED TREATMENT RETURN VALVE: This valve controls where the liquid is pumped to when the return valve is set to CALIBRATE. When set to MIX TANK, it pumps the liquid back into the top of the mix tank. This re-circulates the liquid keeping the seed treatment thoroughly mixed. Set to CAL TUBE, it pumps the desired amount to the calibration tube. The CAL TUBE DRAIN position drains any liquid in the calibration tube back into the mix tank.



STAINLESS STEEL TANK PUMP STAND VALVES

SEED TREATMENT DIRECTIONAL VALVE: This valve directs the liquid coming from the bottom of the mix tank. When set to CALIBRATE, it flows to the return valve. When set to PROCESS, it flows to the seed treater.

SEED TREATMENT RETURN VALVE: This valve controls where the liquid is pumped to when the return valve is set to CALIBRATE. When set to MIX TANK, it pumps the liquid back into the top of the mix tank. This re-circulates the liquid keeping the seed treatment thoroughly mixed. Set to CAL TUBE, it pumps the desired amount to the calibration tube. The CAL TUBE DRAIN position drains any liquid in the calibration tube back into the mix tank.



UNIVERSAL PUMP STAND

FLOW METER

Some Universal Pump Stand comes with a volumetric flow meter. The flow meter is used to perform real-time chemical flow adjustments and monitoring without the operator having to handle the chemical. The flow meter reading will be displayed on the HMI touch screen and can be set to read in oz/min or ml/min.



Proper calibration of the liquid system is critical to achieve a proper granular/chemical mixture. For information on pump calibration and flow meter calibration to determine liquid flow rate see document number: **TD-09-06-1041, U-Treat v3.0.00 Automation.**

Emptying the remaining liquid may be done by using the reverse function on the control panel. This will pump liquid back into the mix tank. Then drain the remaining liquid into a suitable container. Clean water should be pumped through the calibration tube and mix tank when finished.

⚠ WARNING

Always dispose of chemical or diluted chemical according to your local, state, and federal regulations.

! AVERTISSEMENT

Toujours disposer chimique ou diluée selon votre local, étatique et règlements fédéraux.

NOTICE

Only you, the operator, can determine the length of time required to completely rinse all chemical residue from the tank and plumbing system.

AVIS

Seulement vous, l'opérateur, permet de déterminer la longueur du temps nécessaire pour rincer complètement tous les résidus de produits chimiques du système de réservoir et la plomberie.

**SECTION
D**

ELECTRICAL OPERATION



HIGH VOLTAGE ~ Always disconnect the power source before working on or near the control panel or lead wires.



HAUTE TENSION ~ Toujours débrancher la source d'alimentation avant de travailler sur ou près du panneau de commande ou les câbles.



HIGH VOLTAGE ~ Use insulated tools when making adjustments while the controls are under power.



HAUTE TENSION ~ Utilisez des outils isolés lors des réglages, tandis que les commandes sont sous tension.

If any of the pump stands are located in the hazardous area described in the installation section (see page 14), all 110VAC connections must be hard wired to a listed type 4 rated enclosure.

For information on pump calibration, flow meter calibration and all other HMI screen functions, see the applicable document:

LPX Automated Treater = **TD-09-06-1041 = U-Treat v3.0.00 Automation.**

Universal 4 - Pump Controller = **TD-09-06-1036 = UNVRSL SEMI AUTO 4 PUMP.**

TROUBLESHOOTING

Below is a table describing the most frequent mechanical problems and solutions with the USC Universal Pump Stand. Refer to the troubleshooting sections in the manuals referenced above for automation most frequent problems and solutions. For further assistance, contact USC at (785) 431-7900.

Problem	Possible Cause	Solution
Pump is fluctuating.	<ol style="list-style-type: none"> 1. Restriction in tubing 2. Filter is plugged or missing gasket. 	<ol style="list-style-type: none"> 1. Flush tubing and check filter for any restrictions. 2. Clean filter and check for gasket.

MAINTENANCE**SECTION
E**

Proper maintenance of the Universal Pump Stand is critical for peak performance, reliability and accuracy of this system. The following is a guideline for the type of maintenance and servicing that should be performed on this unit. Your environment and uses may require additional maintenance and service beyond this list to assure a reliable and safe unit. The operator of this unit has ultimate responsibility to identify areas of concern and rectify them before they become a hazard or safety issue. There is no substitute for a trained, alert operator.



Do not put this unit into operation with any questionably maintained parts. Poor performance or a hazard may occur.



Ne pas mettre cet appareil en service avec des pièces douteuse entretenus. La mauvaise performance ou un danger peut survenir.



Do not use compressed air or water under pressure to clean any of the components of the USC equipment.



Ne pas utiliser d'air comprimé ou de l'eau sous pression pour nettoyer l'un des composants de l'équipement USC.

MIX TANK

- Check motor.
- Check motor for any play in the mix tank shaft.
- Check valves, fittings, and plug on bottom of tank for leaks.
- Check chemical line tubing for abnormal wear.
- Wipe down the motor casing with a damp cloth making sure to remove all dust that may have collected since the last maintenance date. Record the cleaning on the company required documents. If operating in a CSA 22.1, Class II, Division 2, Group G hazardous area, USC recommends this step be performed on a daily basis.
- Essuyez le carter moteur avec un chiffon humide en veillant à éliminer toutes les poussières qui peuvent avoir perçu depuis la dernière date de maintenance. Enregistrez le nettoyage sur la société les documents requis. Si opérant dans un CSA 22.1, Classe II, Division 2, Groupe G zone dangereuse, USC recommande cette étape être effectuée sur une base quotidienne.

PUMPS - PLUMBING - FLOW METER

1. Check pump in forward and reverse.
2. Make sure pump heads open and close smoothly.
3. Inspect tubing for uneven wear. Replace pump tubing often to ensure high flow rates can be achieved.
4. Make certain the inside of the mix tank is completely drained of chemical residue.
5. Pump clean water through all areas of the plumbing including the mix tank, valves, and flow meter.
6. Remove and clean the filter.
7. Open all drain points, valves, and filter to let as much of the water drain as possible.
8. Disconnect power to the flow meter.
9. If your pump stand is equipped with a volumetric flow meter, remove it from the machine for additional cleaning.

A. Pre - Mix a solution of 90% water and 10% distilled white vinegar.

NOTICE

A Only use the vinegar and water solution mixed in these proportions to clean the flow meter. Use of any other cleaners, especially cleaners containing harsh chemicals may permanently damage the sensors and seals inside the flow meter.

AVIS

Utilisez uniquement la solution de vinaigre et d'eau mélangés dans ces proportions pour nettoyer le débitmètre. L'utilisation d'autres produits de nettoyage, en particulier les produits nettoyants contenant des produits chimiques agressifs peuvent endommager de façon permanente les capteurs et les phoques à l'intérieur du débitmètre.

PUMPS - PLUMBING - FLOW METER

- B. Use a size - matched circular brush with soft plastic bristles. Dip the brush in the solution and gently move it up and down in the measuring pipe to avoid damaging the measuring pipe and sensor electrodes.
- C. Re-repeat brushing with fresh fluid until measuring pipe is visually clean.
- D. Flush the flow meter inside and out with clean water to remove any of the cleaning solution residue.



- Wipe down the motor casing with a damp cloth making sure to remove all dust that may have collected since the last maintenance date. Record the cleaning on the company required documents. If operating in a CSA 22.1, Class II, Division 2, Group G hazardous area, USC recommends this step be performed on a daily basis.
- Essuyez le carter moteur avec un chiffon humide en veillant à éliminer toutes les poussières qui peuvent avoir perçu depuis la dernière date de maintenance. Enregistrez le nettoyage sur la société les documents requis. Si opérant dans un CSA 22.1, Classe II, Division 2, Groupe G zone dangereuse, USC recommande cette étape être effectuée sur une base quotidienne.

**SECTION
F****STORAGE**

When storing the Universal Pump Stand for long periods of time, the following procedure must be followed to reduce the chance of rust, corrosion and fatigue of the treater. You can also use these steps when storing the machine for the winter.



A dust mask and protective rubber gloves shall be used when cleaning the machine.

LIQUID SYSTEM

1. Make certain the inside of the tank is completely drained of chemical residue and thoroughly flush the inside of the tank with clean water.
2. Remove and clean the filter.
3. Pump clean water through all areas of the plumbing including the mix tank, flow meter, and valves. It may be necessary to move the position of the source valve and return valve from one position to another in order to clean all chemical lines including those that run to the seed treater.
4. Open all drain points, valves, and filter to let as much of the liquid drain as possible.
5. If the pump stand will be exposed to possible freezing temperatures, the final flush of the system should be made with a non freezable liquid. Or use compressed air to blow the lines out from any moisture.
6. Release pump heads and remove tubing to prevent any unnecessary wear (see page 20).
7. Remove the flow meter from the pump stand and store in a location with the following conditions:
 - A. Ambient temperature of 50 to 80 degrees Fahrenheit.
 - B. Protection from direct sunlight to avoid unacceptable high surface temperatures.
 - C. Where moisture does not collect in or on the flow meter. This will help prevent fungus or bacteria infestation which can damage the liner.
 - D. Cover all openings.
 - E. Store in a manner so that the inlet and outlet are as much in an up and down position as possible.

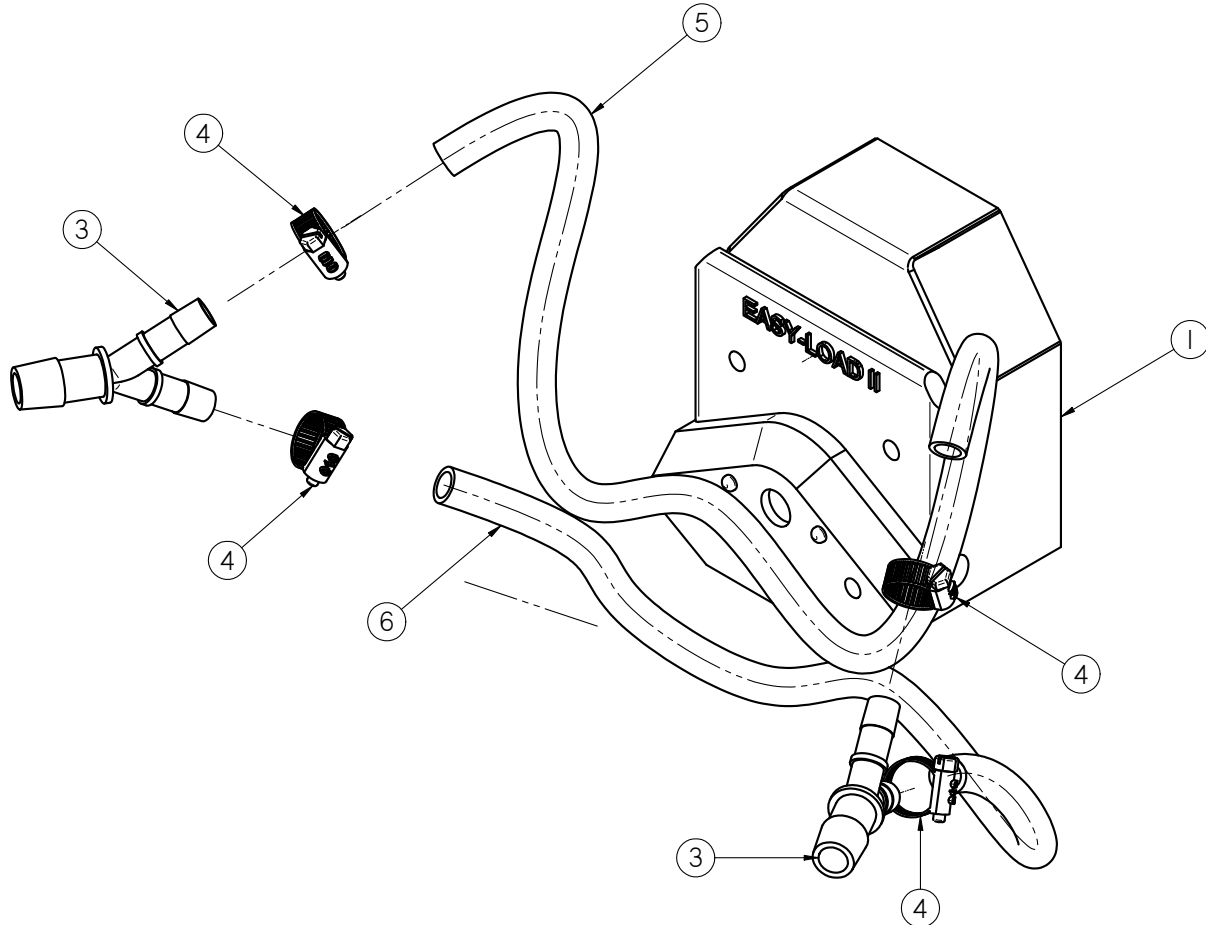
UNIVERSAL PUMP STAND

NOTES:

**SECTION
G**

MECHANICAL DRAWINGS

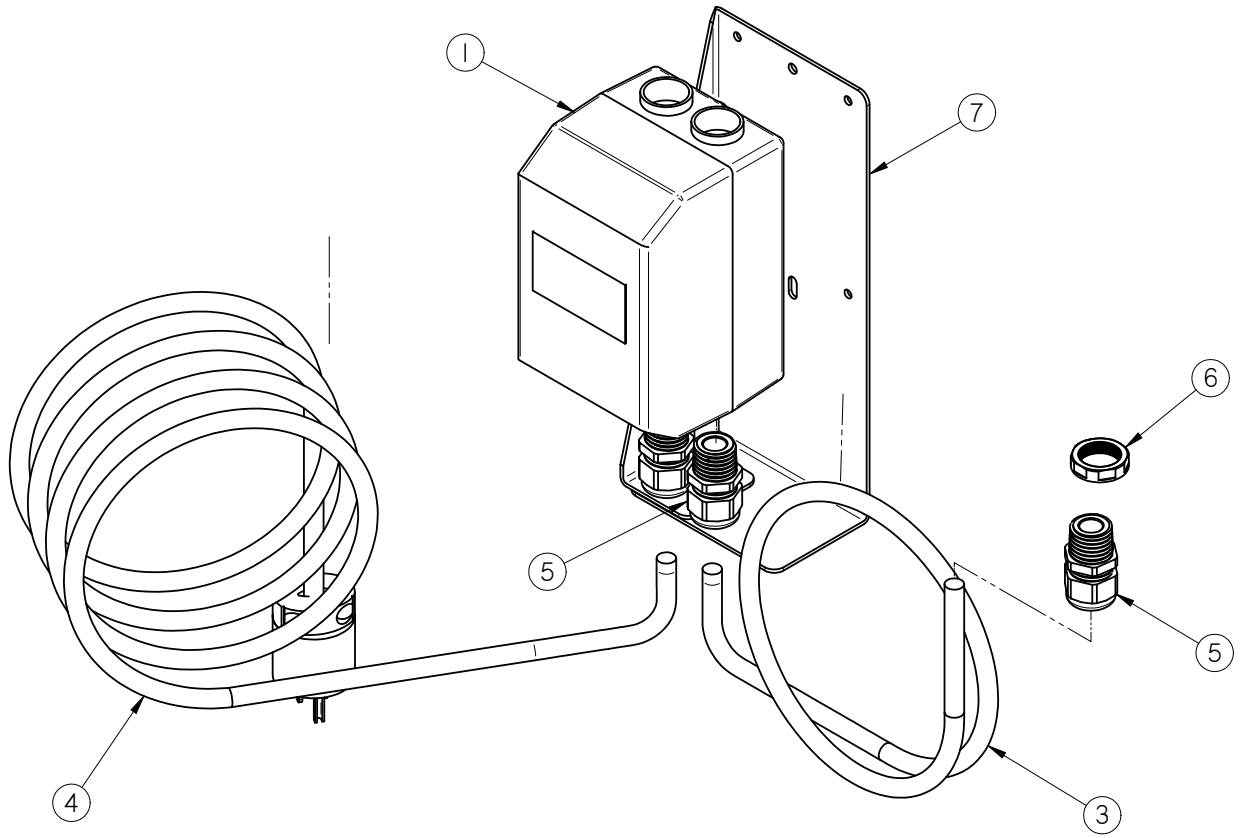
ADD ON 2nd PUMP HEAD ASSEMBLY (13-04-0053)



Item #	Part #	Description	Qty
1	02-01-0005	PUMP HEAD PRST MF LS 115V 600RPM	1
2	02-01-0013	PUMP DUAL MF LS HARDWARE SS	1
3	02-10-0004	FTTG WYE .500HB .375HB .375HB	2
4	06-07-0005	CLMP HOSE .219 TO .625 X .313W ZP	4
5	13-05-0018	TUBE	20 IN
6	13-05-0018	TUBE	20 IN

UNIVERSAL PUMP STAND

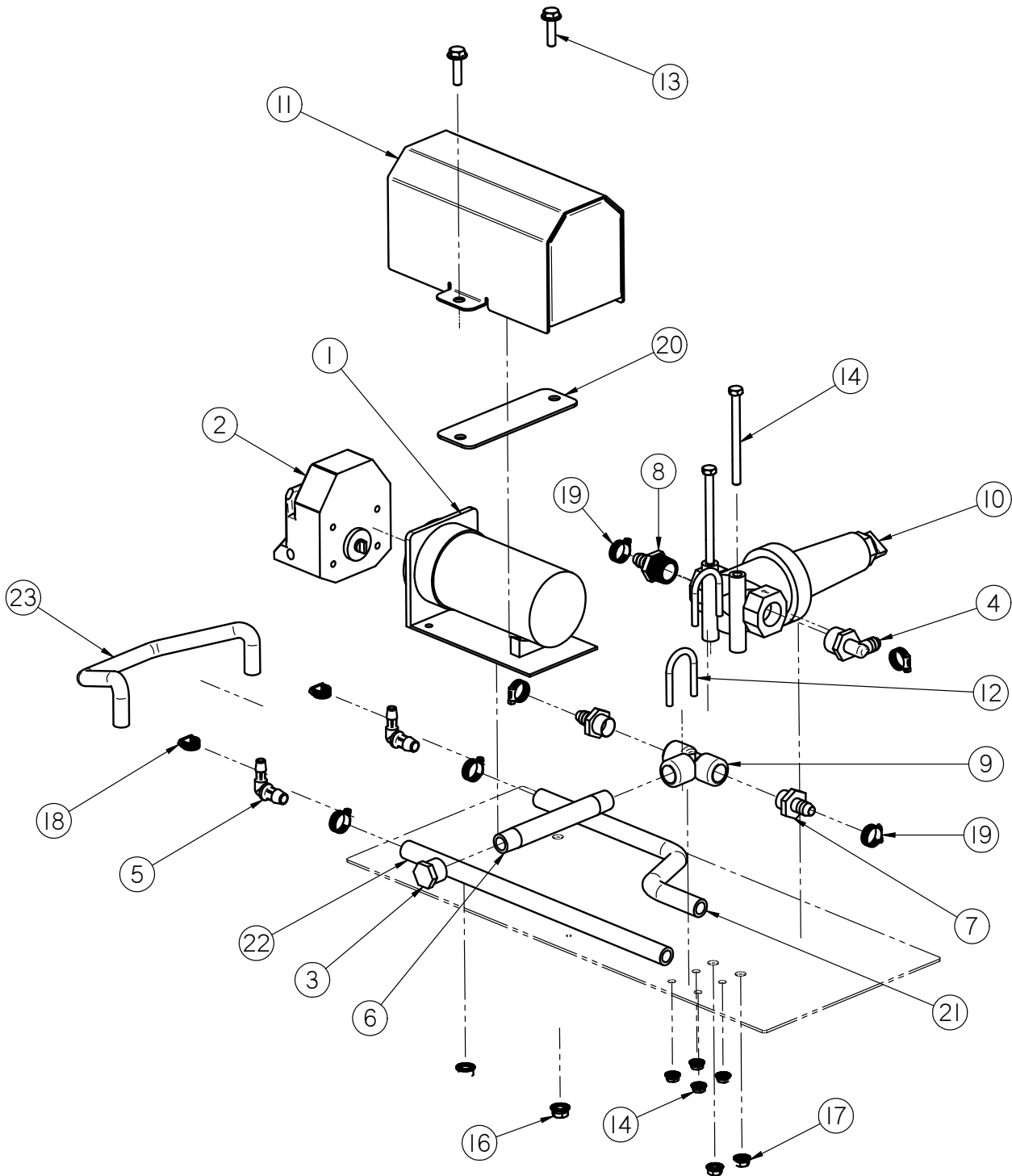
MIX TANK MOTOR SWITCH ASSEMBLY (03-13-0029)



Item #	Part #	Description	Qty
1	03-04-0089	MP ENCL PLAS TMQ GV2MC02	1
2	03-04-0123	MP MNL 1.6-2.5A 600V TMQ GV2ME07	1
3	03-07-0013	CORD 3COND 14AWG SJEOOW	1
4	03-07-0124	CORD POWER MOLDED 14/3 10FT	1
5	03-08-0299	CONN CG 0.5NPT .170-.450 3232LTF	3
6	03-08-0308	NUT NYLOC .500 NPT 8464	3
7	05-10-2002	BRKT SW MP ENCL	1

UNIVERSAL PUMP STAND

PERISTALTIC PUMP HEAD & MOTOR ASSEMBLY - SINGLE HEAD (13-04-0175)



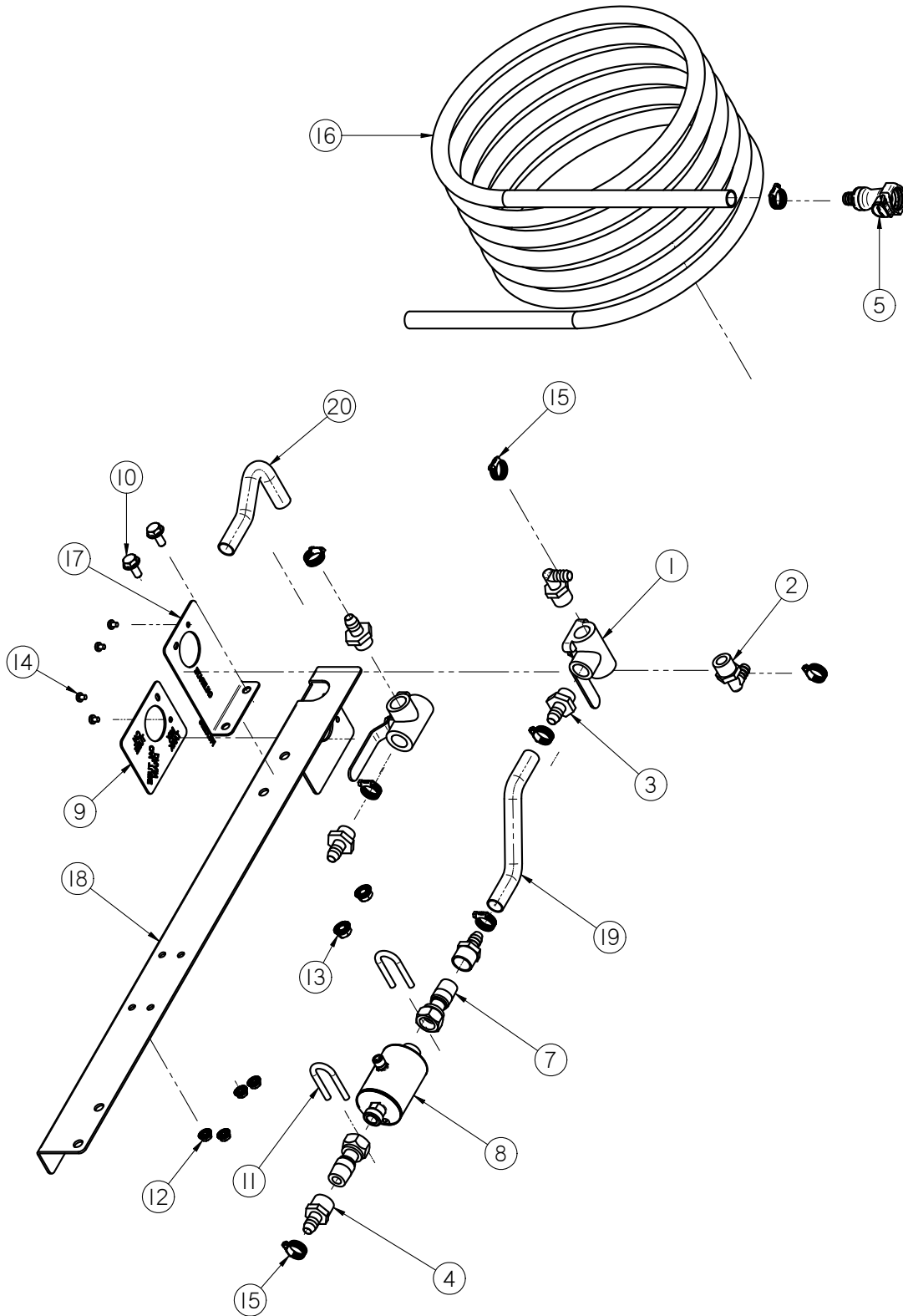
UNIVERSAL PUMP STAND

PERISTALTIC PUMP HEAD & MOTOR ASSEMBLY - SINGLE HEAD (13-04-0175)

Item #	Part #	Description	Qty
1	01-01-0010	MTR .1HP 6-600RPM 90VDC	1
2	02-01-0005	PUMP HEAD PRST MF LS 115V 600RPM	1
3	02-05-0086	FTTG END CAP .500 NPT BP	1
4	02-06-0011	FTTG 90 DEG .750HB X .500NPT ML NYL	1
5	02-06-0076	FTTG 90 DEG .500HB X .375HB NYL	2
6	02-07-0060	FTTG NIP .500 NPT X 6.00 TBE PVC	1
7	02-08-0007	FTTG STGHT .500HB X .500NPT ML NYL	2
8	02-08-0008	FTTG STGHT .750-14,.500 HB	1
9	02-09-0005	FTTG TEE .500 NPT PPE	1
10	02-12-0011	FLTR TEE PPE .750 NPT 16 MESH BANJO	1
11	05-06-0101	WDMT PUMP MTR COVER	1
12	06-01-0120	U BOLT 1/4-20 1-1/8 INSIDE 2" LG	2
13	06-01-0189	BOLT, FLG .375-16 UNC ZP GRADE 5; 1-1/4" LG	2
14	06-01-0248	BOLT, .3125-18 UNC ZP G5; 4.00" LG	2
15	06-03-0013	NUT,LOCK, FLG .250-20 ZP SERRATED	4
16	06-03-0014	NUT LOCK FLG .375-16 ZP GR5	2
17	06-03-0019	NUT LOCK FLG .3125-18 ZP GR5	2
18	06-07-0005	CLMP HOSE .219 TO .625 X .313W ZP	2
19	06-07-0006	CLMP HOSE .500 TO .906 X .313W ZP	6
20	102276	BRKT PUMP MOUNT PUMPSTD	1
21	10361D	HOSE	1
22	10361E	HOSE	1
23	13-05-0018	HOSE, PUMP	4

UNIVERSAL PUMP STAND

POLY PUMP STAND STALK ASSEMBLY - 30 GALLON (13-04-0177)



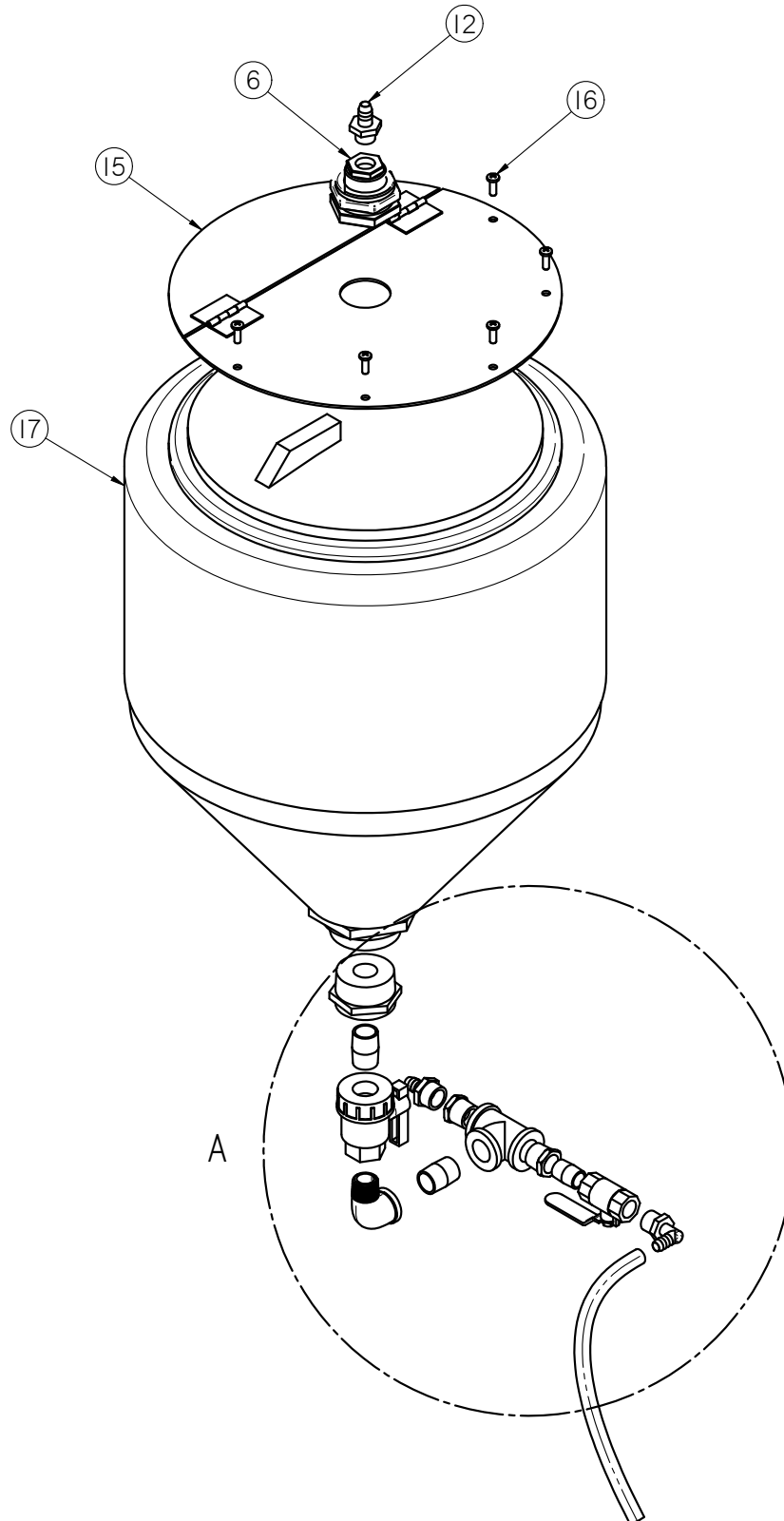
UNIVERSAL PUMP STAND

POLY PUMP STAND STALK ASSEMBLY - 30 GALLON (13-04-0177)

Item #	Part #	Description	Qty
1	02-02-0007	VLV BALL .500 NPT 3WAY BRSS	2
2	02-06-0010	FTTG 90 DEG .500HB X .500NPT ML NYL	2
3	02-08-0007	FTTG STGHT .500HB X .500NPT ML NYL	3
4	02-08-0026	FTTG STGHT .500HB X .500NPT FM NYL	2
5	02-15-0013	FTTG CPLG .500 HB QCK DISC BODY	1
6	03-08-0316	CONN TRCK RK4.4T-8-RS4.4T/S760/S771	1
7	03-18-0020	FTTG ADPTR G1/2 TO 1/2NPT ML IFM	1
8	03-18-0025	FLMT IFM EFECTOR SM6000 AE 1/2 IN	1
9	05-10-3272	LBL SC CAL TUBE	1
10	06-01-0124	BOLT, FLG .375-16 UNC ZP GRADE 5; 3/4" LG	2
11	06-01-0199	BOLT U .250-20 X 0.75 X 2.25 ZP	2
12	06-03-0013	NUT,LOCK, FLG .250-20 ZP SERRATED	4
13	06-03-0014	NUT LOCK FLG .375-16 ZP GR5	2
14	06-06-0008	SCRW MACH 10-24 X .250 PHLP PHD ZP	4
15	06-07-0006	CLMP HOSE .500 TO .906 X .313W ZP	8
16	102A89	TUBE	1
17	103422	PLT VLV LABEL CAL-PROCESS	1
18	10359A	CAL TUBE SUPPORT	1
19	103621	TUBE	1
20	103625	TUBE	1

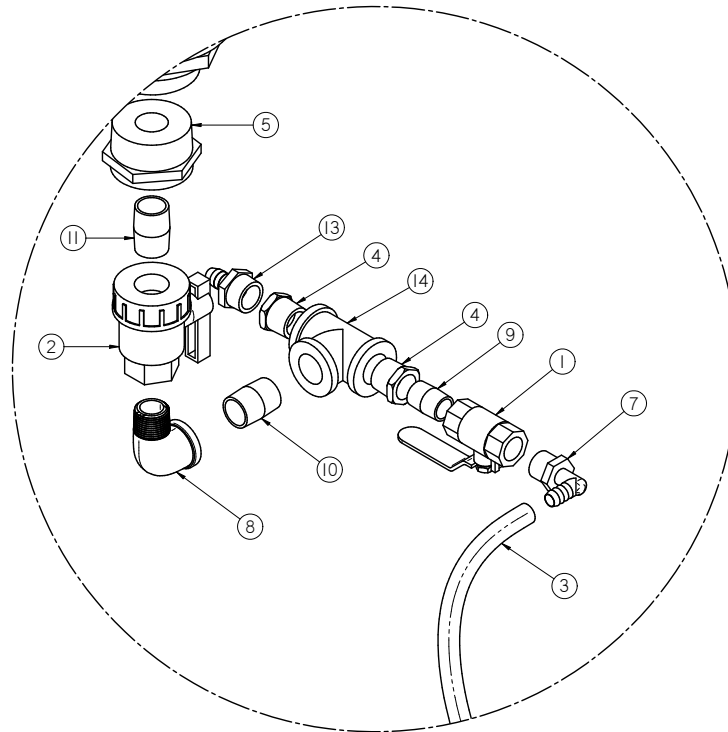
UNIVERSAL PUMP STAND

15 GALLON POLY TANK ASSEMBLY (04-03-0202)



UNIVERSAL PUMP STAND

15 GALLON POLY TANK ASSEMBLY (04-03-0202)

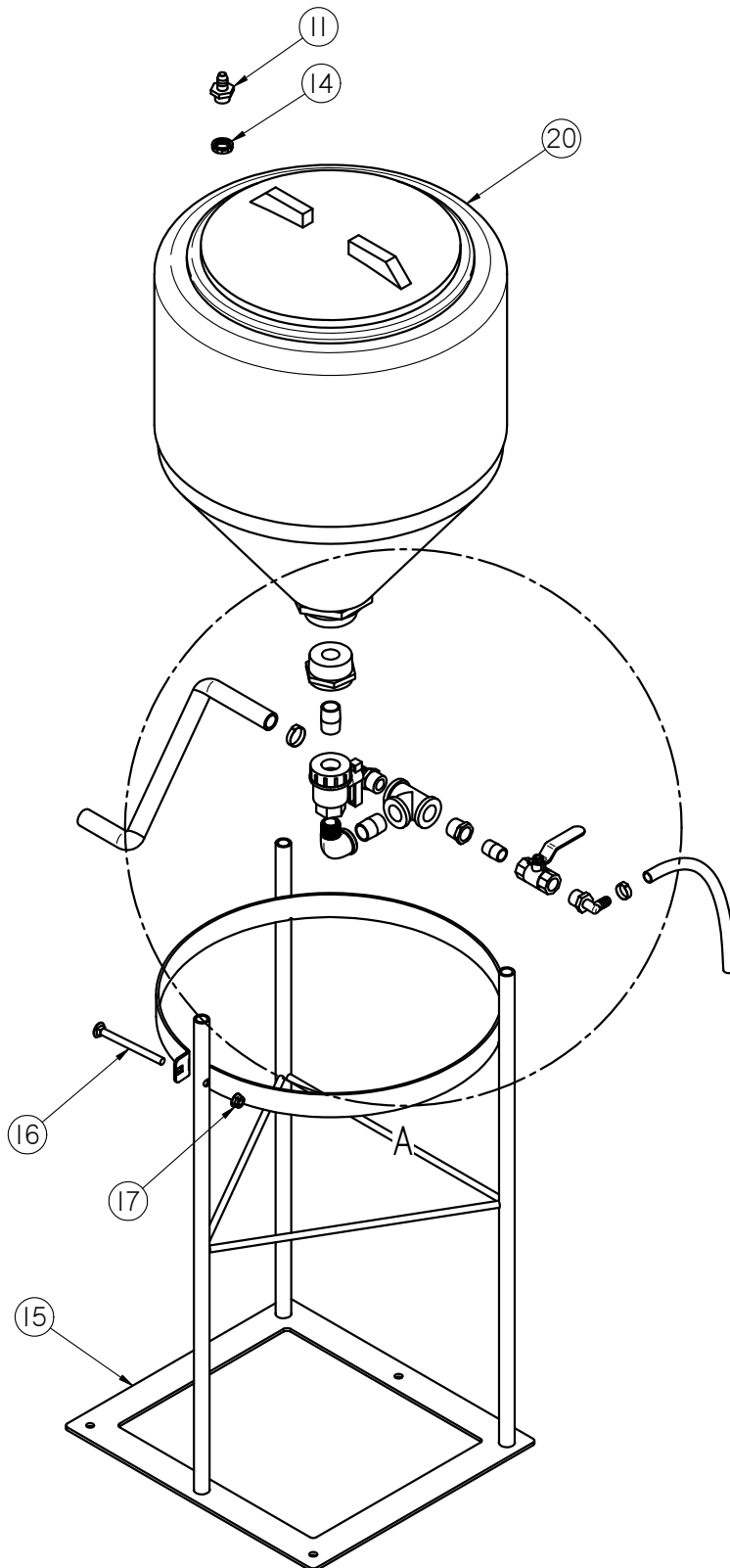


DETAIL A

Item #	Part #	Description	Qty
1	02-02-0006	VLV BALL .500 NPT 2WAY BRSS	1
2	02-02-0056	VLV BALL .750 NPT FM PLAS	1
3	02-03-0005	DRAIN HOSE PUMP STAND	1
4	02-04-0008	BUSHING .750-14 NPT, REDUCER .500-14 NPT	2
5	02-04-0033	FTTG BUSH 2.00NPT X .750NPT PPE	1
6	02-05-0028	FTTG .500 NPT DBL THD PPE BULKHEAD	1
7	02-06-0010	FTTG 90 DEG .500HB X .500NPT ML NYL	1
8	02-06-0068	FTTG 90 DEG STRT .75NPT PPE BLK	1
9	02-07-0007	FTTG NIP .500 NPT X 1.125 TBE SS	1
10	02-07-0025	NIPPLE 3/4" NPT CLOSE 304SS	1
11	02-07-0070	FTTG NIP .750 NPT X 1.50 TBE SS	1
12	02-08-0007	FTTG STGHT .500HB X .500NPT ML NYL	1
13	02-08-0008	.750-14 NPT, .500 HOSE BARB, STRAIGHT WP	1
14	02-09-0008	TEE 3/4 NPT X 3/4 NPT X 3/4 NPT SS	1
15	05-03-1461	WDMT 30GAL POLY LID CAL TUBE ONLY	1
16	06-01-0215	SCRW MACH #14 X .750 SS PLASTITE	5
17	07-02-0007	TNK 15GAL 60 DEG 2.00 NPT OUT	1

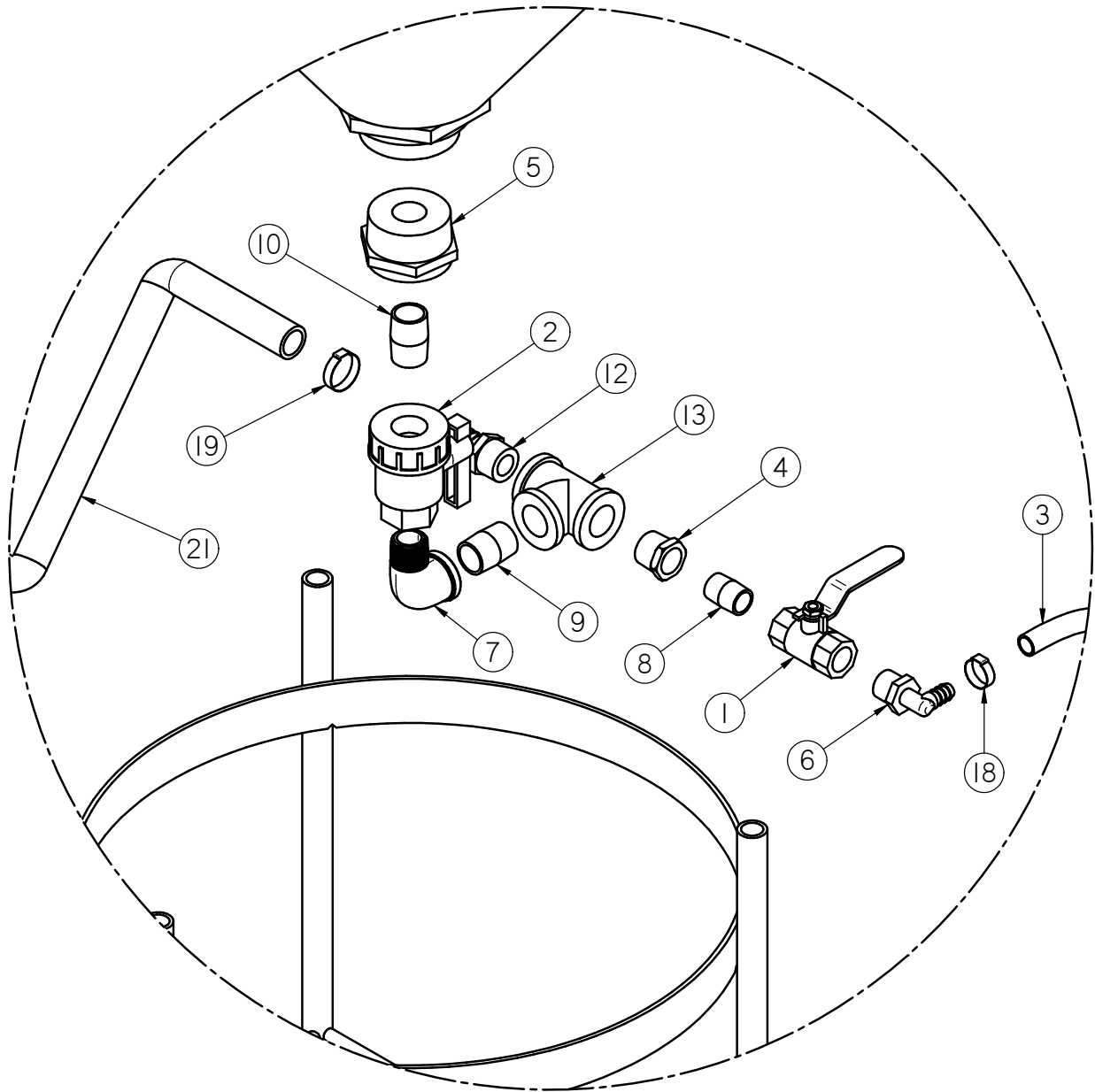
UNIVERSAL PUMP STAND

15 GALLON POLY TANK ASSEMBLY - NO AGITATION (04-03-0207)



UNIVERSAL PUMP STAND

15 GALLON POLY TANK ASSEMBLY - NO AGITATION (04-03-0207)



DETAIL A

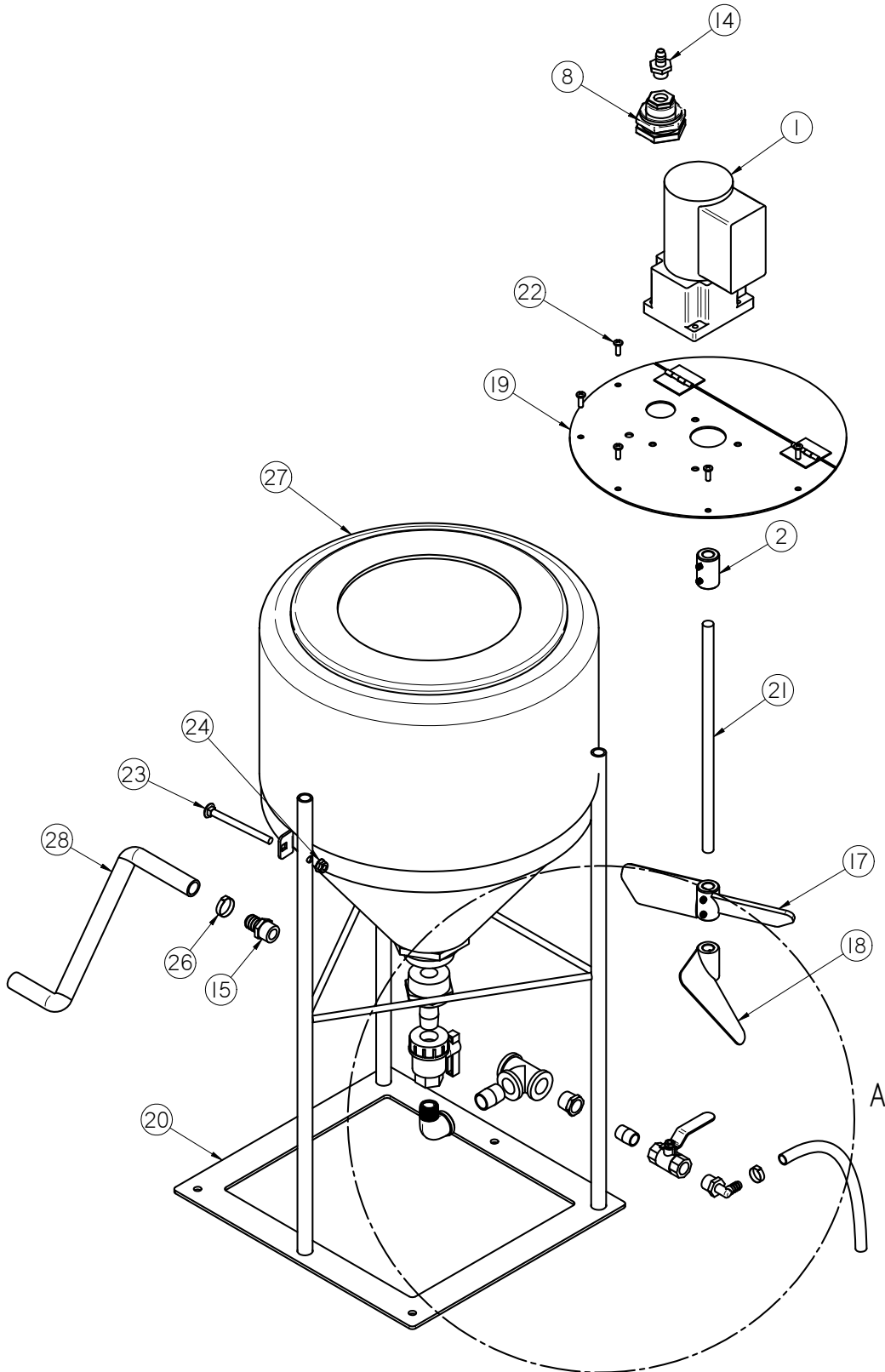
UNIVERSAL PUMP STAND

15 GALLON POLY TANK ASSEMBLY - NO AGITATION (04-03-0207)

Item #	Part #	Description	Qty
1	02-02-0006	.500-14 NPT X 2-WAY VALVE	1
2	02-02-0056	VLV BALL .750 NPT FM PLAS	1
3	02-03-0005	DRAIN HOSE PUMP STAND .50	1
4	02-04-0008	BUSHING .750-14 NPT, REDUCER .500-14 NPT	1
5	02-04-0033	FTTG BUSH 2.00NPT X .750NPT PPE	1
6	02-06-0010	FTTG 90 DEG .500HB X .500NPT ML NYL	1
7	02-06-0068	FTTG 90 DEG STRT .75NPT PPE BLK	1
8	02-07-0008	FTTG NIP .500 NPT X 1.125 TBE BLK	1
9	02-07-0025	NIPPLE 3/4" NPT CLOSE 304SS	1
10	02-07-0070	FTTG NIP .750 NPT X 1.50 TBE SS	1
11	02-08-0007	FTTG STGHT .500HB X .500NPT ML NYL	1
12	02-08-0010	3/4-14 NPT TO .750 HB STRAIGHT (NYLON)	1
13	02-09-0008	TEE 3/4 NPT X 3/4 NPT X 3/4 NPT SS	1
14	03-08-0308	NUT NYLOC .500 NPT 8464	1
15	05-03-1546	WDMT 15 GAL TANK STAND	1
16	06-01-0262	BOLT CRG .375-16 X 4.50 FTH ZP GR5	1
17	06-03-0014	NUT LOCK FLG .375-16 ZP GR5	1
18	06-07-0029	HOSE CLAMP ONE EAR, .716-.827	1
19	06-07-0030	HOSE CLAMP ONE EAR 1.004-1.126	1
20	07-02-0007	TNK 15GAL 60 DEG 2.00 NPT OUT	1
21	102C1F	HOSE TANK TO VLV	1

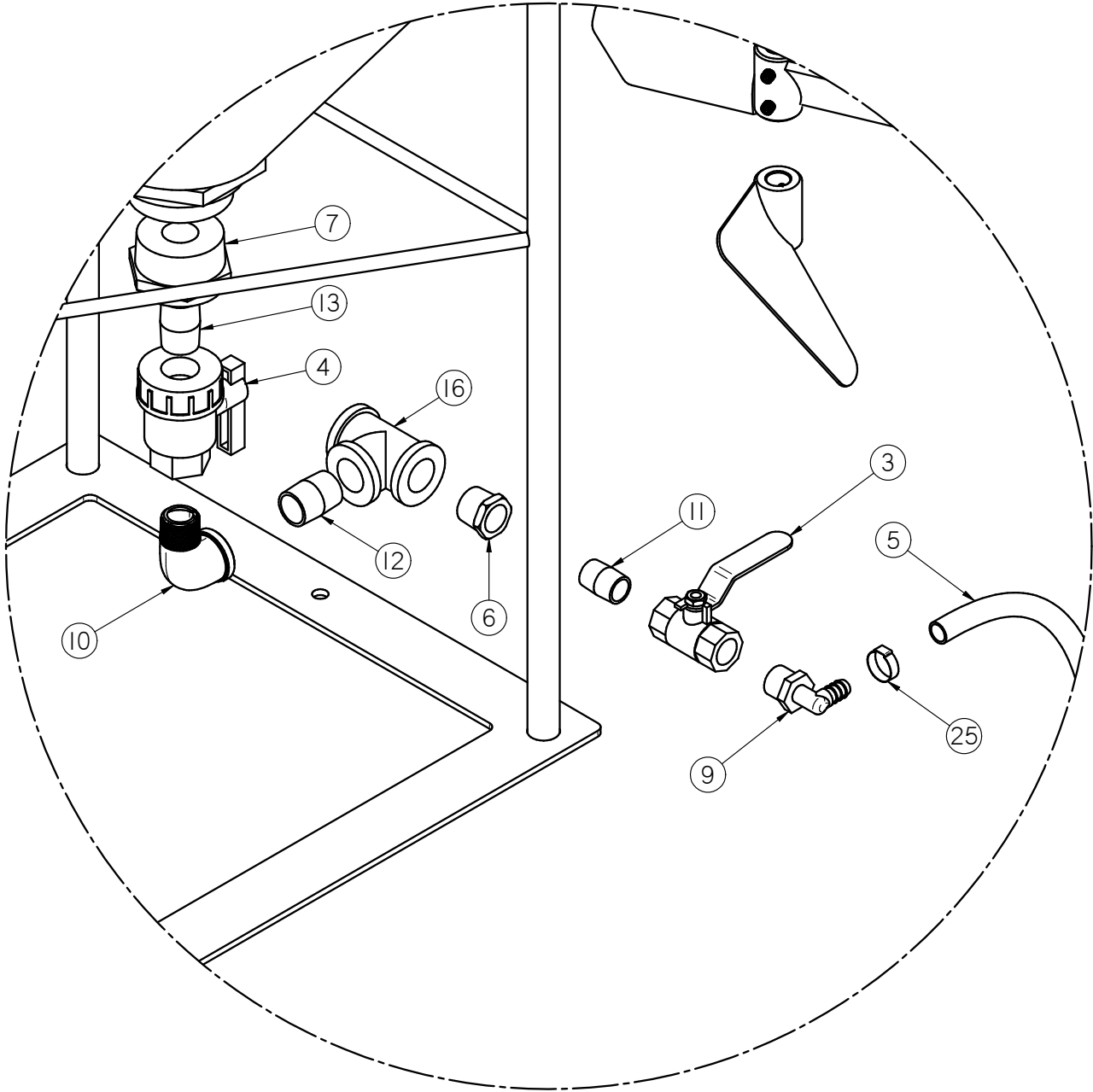
UNIVERSAL PUMP STAND

15 GALLON POLY TANK ASSEMBLY - WITH AGITATION (04-03-0208)



UNIVERSAL PUMP STAND

15 GALLON POLY TANK ASSEMBLY - WITH AGITATION (04-03-0208)



DETAIL A

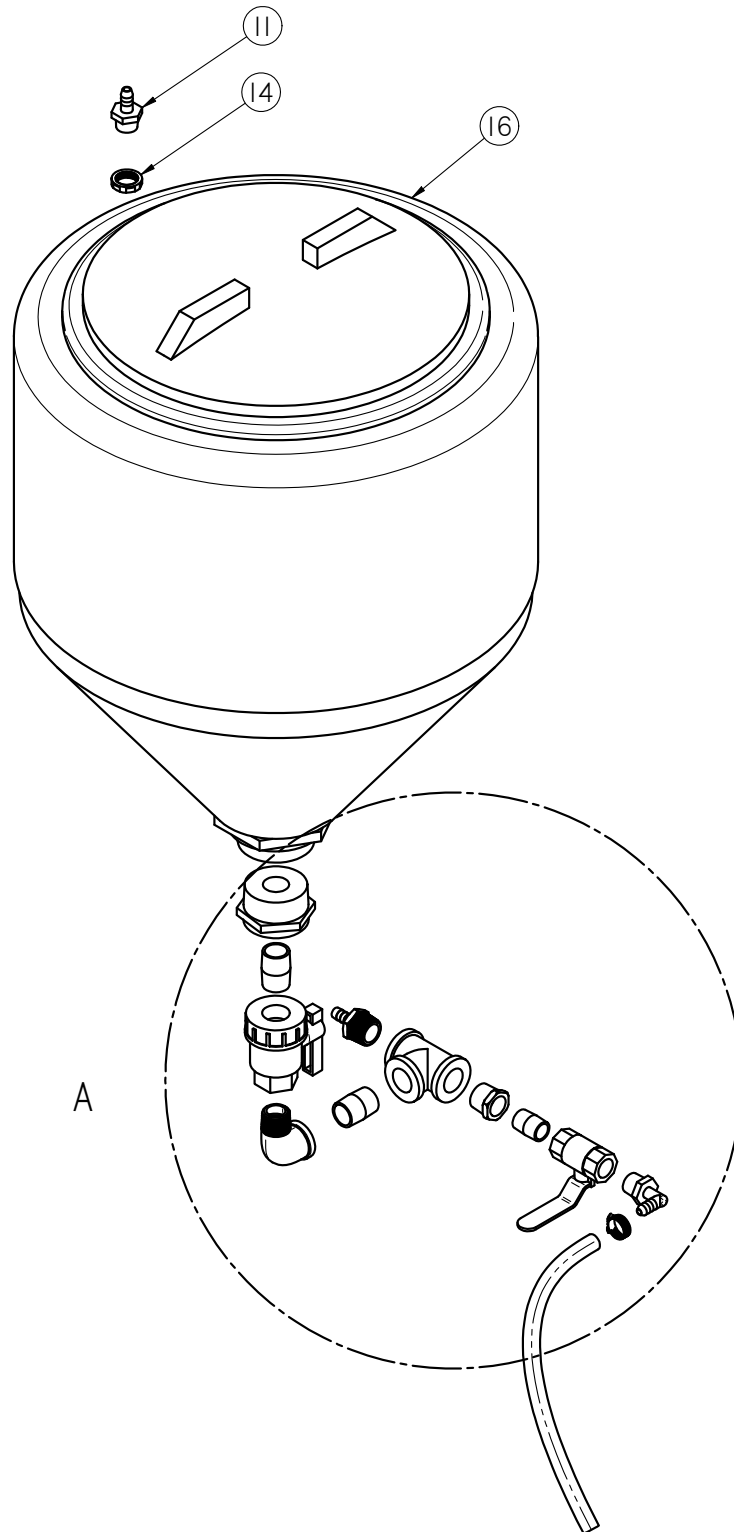
UNIVERSAL PUMP STAND

15 GALLON POLY TANK ASSEMBLY - WITH AGITATION (04-03-0208)

Item #	Part #	Description	Qty
1	01-01-0182	MOTOR .16HP 9075 RPM 1PH	1
2	01-07-0013	CPLG SS .625 SS NO KWY W/ SETSCREWS	1
3	02-02-0006	.500-14 NPT X 2-WAY VALVE	1
4	02-02-0056	VLV BALL .750 NPT FM PLAS	1
5	02-03-0005	DRAIN HOSE PUMP STAND .50	1
6	02-04-0008	BUSHING .750-14 NPT, REDUCER .500-14 NPT	1
7	02-04-0033	FTTG BUSH 2.00NPT X .750NPT PPE	1
8	02-05-0028	FTTG .500 NPT DBL THD PPE BULKHEAD	1
9	02-06-0010	FTTG 90 DEG .500HB X .500NPT ML NYL	1
10	02-06-0068	FTTG 90 DEG STRT .75NPT PPE BLK	1
11	02-07-0007	FTTG NIP .500 NPT X 1.125 TBE SS	1
12	02-07-0025	NIPPLE 3/4" NPT CLOSE 304SS	1
13	02-07-0070	FTTG NIP .750 NPT X 1.50 TBE SS	1
14	02-08-0007	FTTG STGHT .500HB X .500NPT ML NYL	1
15	02-08-0010	3/4-14 NPT TO .750 HB STRAIGHT (NYLON)	1
16	02-09-0008	TEE 3/4 NPT X 3/4 NPT X 3/4 NPT SS	1
17	05-03-1135	WDMT STIR ARM 30GAL POLY	1
18	05-03-1136	WDMT LOWER STIR ARM 30GAL POLY	1
19	05-03-1542	WDMT 15GAL POLY LID WITH AGT	1
20	05-03-1546	WDMT 15 GAL TANK STAND	1
21	05-11-0420	ROD 15GAL DRV	1
22	06-01-0215	SCRW MACH #14 X .750 SS PLASTITE	5
23	06-01-0262	BOLT CRG .375-16 X 4.50 FTH ZP GR5	1
24	06-03-0014	NUT LOCK FLG .375-16 ZP GR5	1
25	06-07-0029	HOSE CLAMP ONE EAR, .716-.827	1
26	06-07-0030	HOSE CLAMP ONE EAR 1.004-1.126	1
27	07-02-0007	TNK 15GAL 60 DEG 2.00 NPT OUT	1
28	102C1F	HOSE TANK TO VLV	1

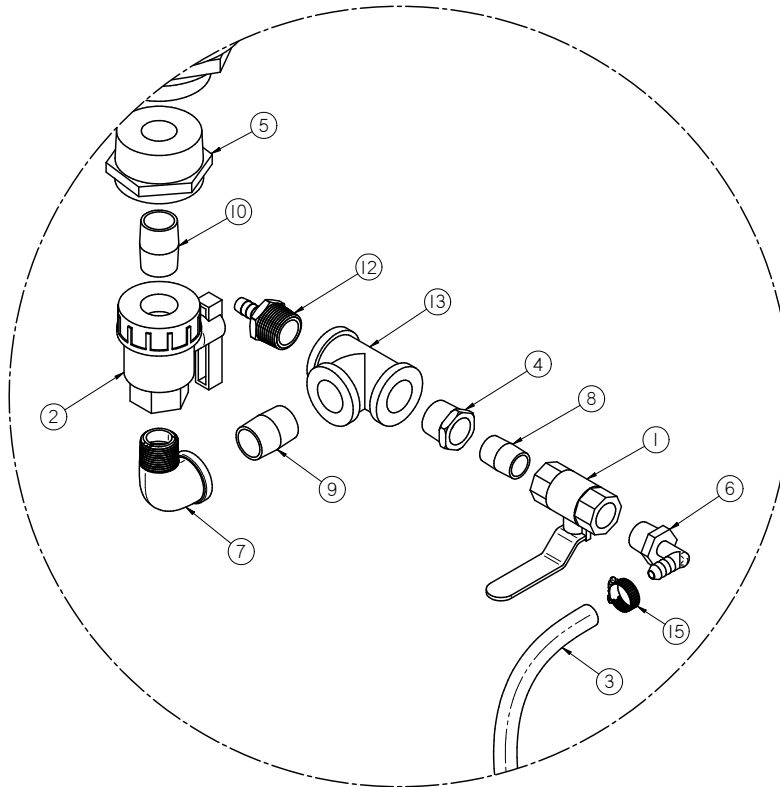
UNIVERSAL PUMP STAND

15 GALLON POLY TANK ASSEMBLY (04-03-0205)



UNIVERSAL PUMP STAND

15 GALLON POLY TANK ASSEMBLY (04-03-0205)

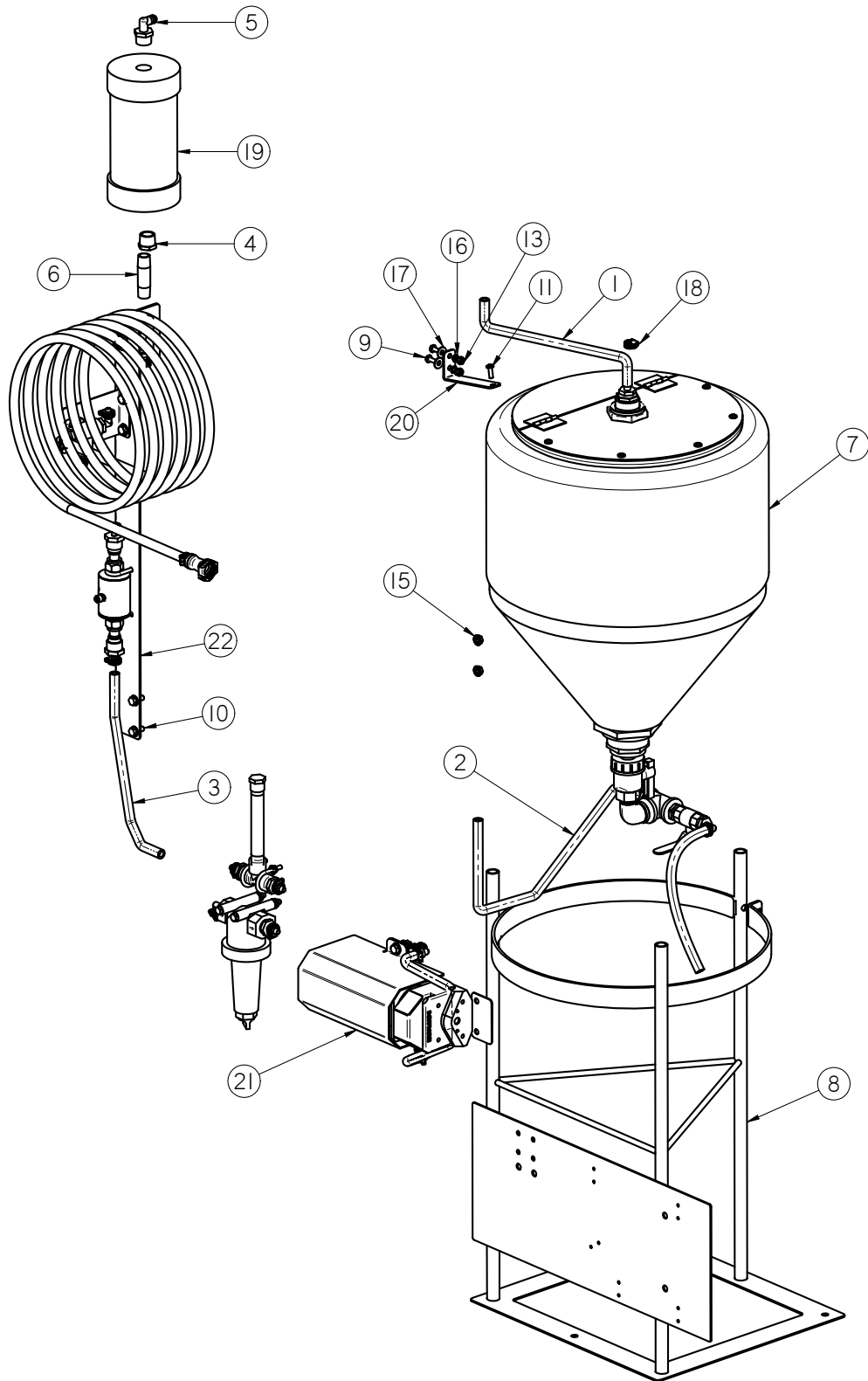


DETAIL A

Item #	Part #	Description	Qty
1	02-02-0006	.500-14 NPT X 2-WAY VALVE	1
2	02-02-0056	VLV BALL .750 NPT FM PLAS	1
3	02-03-0005	DRAIN HOSE PUMP STAND .50	1
4	02-04-0008	BUSHING .750-14 NPT, REDUCER .500-14 NPT	1
5	02-04-0033	FTTG BUSH 2.00NPT X .750NPT PPE	1
6	02-06-0006	FTTG 90 DEG .375HB X .500NPT ML NYL	1
7	02-06-0068	FTTG 90 DEG STRT .75NPT PPE BLK	1
8	02-07-0008	FTTG NIP .500 NPT X 1.125 TBE BLK	1
9	02-07-0025	NIPPLE 3/4" NPT CLOSE 304SS	1
10	02-07-0070	FTTG NIP .750 NPT X 1.50 TBE SS	1
11	02-08-0005	1/2-14 NPT, 3/8 BARB, STRAIGHT WP	1
12	02-08-0014	FTTG STGHT .375HB X .750NPT ML NYL	1
13	02-09-0008	TEE 3/4 NPT X 3/4 NPT X 3/4 NPT SS	1
14	03-08-0308	NUT NYLOC .500 NPT 8464	1
15	06-07-0006	CLMP HOSE .500 TO .906 X .313W ZP	1
16	07-02-0007	TNK 15GAL 60 DEG 2.00 NPT OUT	1

UNIVERSAL PUMP STAND

15 GALLON POLY PUMP STAND ASSY - NO AGITATION - 1 HEAD (04-03-0211)



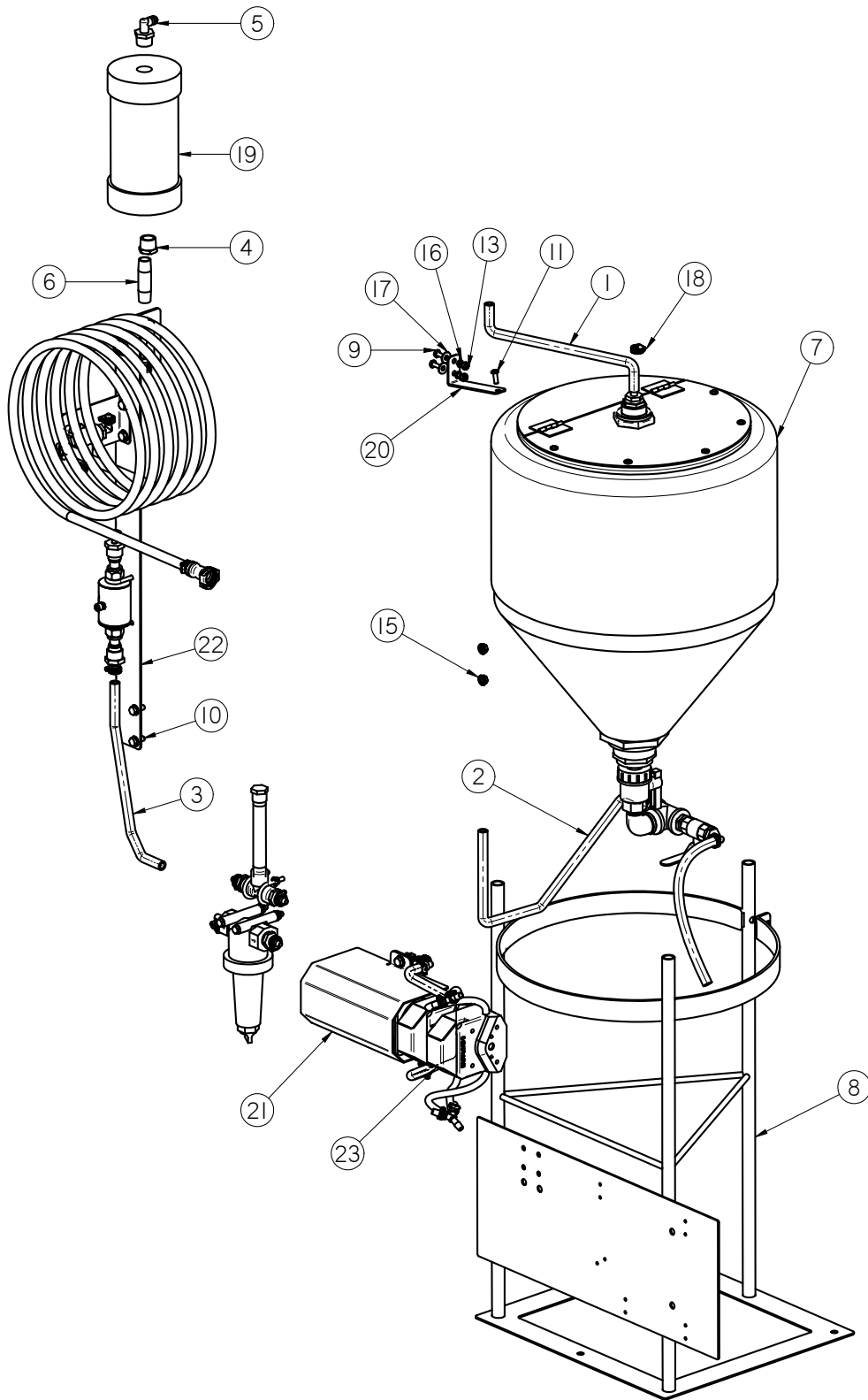
UNIVERSAL PUMP STAND

15 GALLON POLY PUMP STAND ASSY - NO AGITATION - 1 HEAD (04-03-0211)

Item #	Part #	Description	Qty
1	02-03-0004	.375 RNT Tubing	14.5
2	02-03-0004	.375 RNT Tubing	22.5
3	02-03-0004	.375 RNT Tubing	14.7
4	02-04-0008	BUSHING .750-14 NPT, REDUCER .500-14 NPT	1
5	02-06-0011	FTTG 90 DEG .750HB X .500NPT ML NYL	1
6	02-07-0019	NIPPLE, .500-14 NPT X 3.0 LG 304SS	1
7	04-03-0205	ASSY 15 GAL POLY TANK	1
8	05-03-1486	WDMT 15 GAL TANK STAND	1
9	06-01-0006	BOLT, .250-20 X .75 UNC ZP GRADE 5	2
10	06-01-0138	BOLT, FLG .3125-18 UNC ZP GRADE 5; 3/4" LG	2
11	06-01-0215	SCRW MACH #14 X .750 SS PLASTITE	1
12	06-01-0262	BOLT CRG .375-16 X 4.50 FTH ZP GR5	1
13	06-02-0001	NUT FULL .250-20 ZP GR5	2
14	06-03-0014	NUT LOCK FLG .375-16 ZP GR5	1
15	06-03-0019	NUT, FLG .3125-18 UNC ZP GRADE 5	2
16	06-04-0001	WSHR LOCK SPLT .250 ZP	2
17	06-05-0001	WASHER, FLAT .250	2
18	06-07-0006	CLMP HOSE .500 TO .906 X .313W ZP	3
19	07-02-0018	CYL CALB LOOSE TOP 1300ML W/OZ LABEL	1
20	103793	CAL TUBE SUPP STRAP	1
21	13-04-0189	KIT LS HEAD X1 ASSY PUMPSTD .375 TBG	1
22	13-04-0190	KIT POLY PS STALK 30 GAL	1

UNIVERSAL PUMP STAND

15 GALLON POLY PUMP STAND ASSY - NO AGITATION - 2 HEAD (04-03-0212)



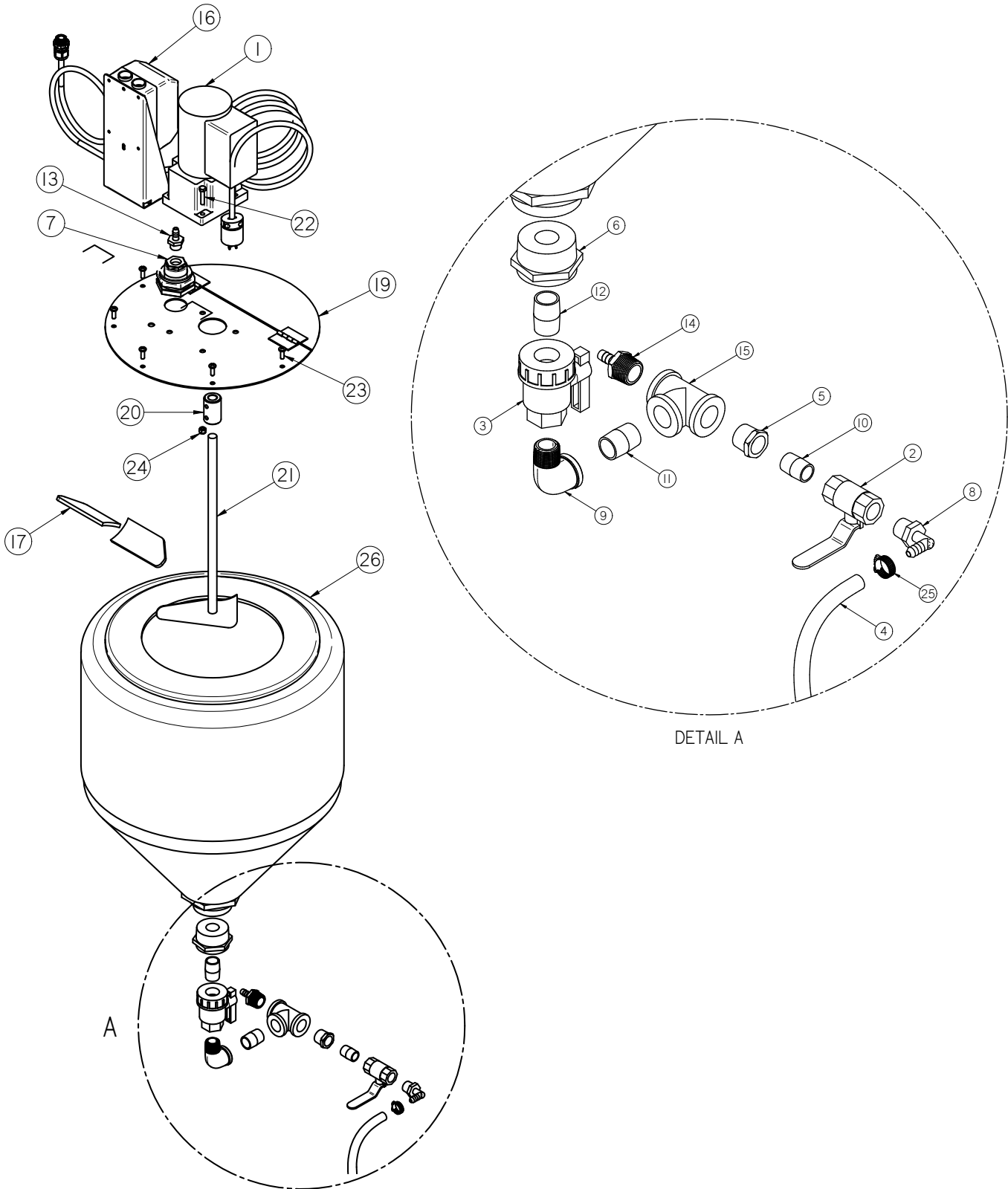
UNIVERSAL PUMP STAND

15 GALLON POLY PUMP STAND ASSY - NO AGITATION - 2 HEAD (04-03-0212)

Item #	Part #	Description	Qty
1	02-03-0004	.375 RNT Tubing	14.5
2	02-03-0004	.375 RNT Tubing	22.5
3	02-03-0004	.375 RNT Tubing	14.7
4	02-04-0008	BUSHING .750-14 NPT, REDUCER .500-14 NPT	1
5	02-06-0011	FTTG 90 DEG .750HB X .500NPT ML NYL	1
6	02-07-0019	NIPPLE, .500-14 NPT X 3.0 LG 304SS	1
7	04-03-0205	ASSY 15 GAL POLY TANK	1
8	05-03-1486	WDMT 15 GAL TANK STAND	1
9	06-01-0006	BOLT, .250-20 X .75 UNC ZP GRADE 5	2
10	06-01-0138	BOLT, FLG .3125-18 UNC ZP GRADE 5; 3/4" LG	2
11	06-01-0215	SCRW MACH #14 X .750 SS PLASTITE	1
12	06-01-0262	BOLT CRG .375-16 X 4.50 FTH ZP GR5	1
13	06-02-0001	NUT FULL .250-20 ZP GR5	2
14	06-03-0014	NUT LOCK FLG .375-16 ZP GR5	1
15	06-03-0019	NUT, FLG .3125-18 UNC ZP GRADE 5	2
16	06-04-0001	WSHR LOCK SPLT .250 ZP	2
17	06-05-0001	WASHER, FLAT .250	2
18	06-07-0006	CLMP HOSE .500 TO .906 X .313W ZP	3
19	07-02-0018	CYL CALB LOOSE TOP 1300ML W/OZ LABEL	1
20	103793	CAL TUBE SUPP STRAP	1
21	13-04-0189	KIT LS HEAD X1 ASSY PUMPSTD .375 TBG	1
22	13-04-0190	KIT POLY PS STALK 30 GAL	1
23	13-04-0191	KIT ADDON 2ND LS PUMP HEAD .375 TBG	1

UNIVERSAL PUMP STAND

15 GALLON POLY TANK ASSY - WITH AGITATION - 2 HEAD (04-03-0206)



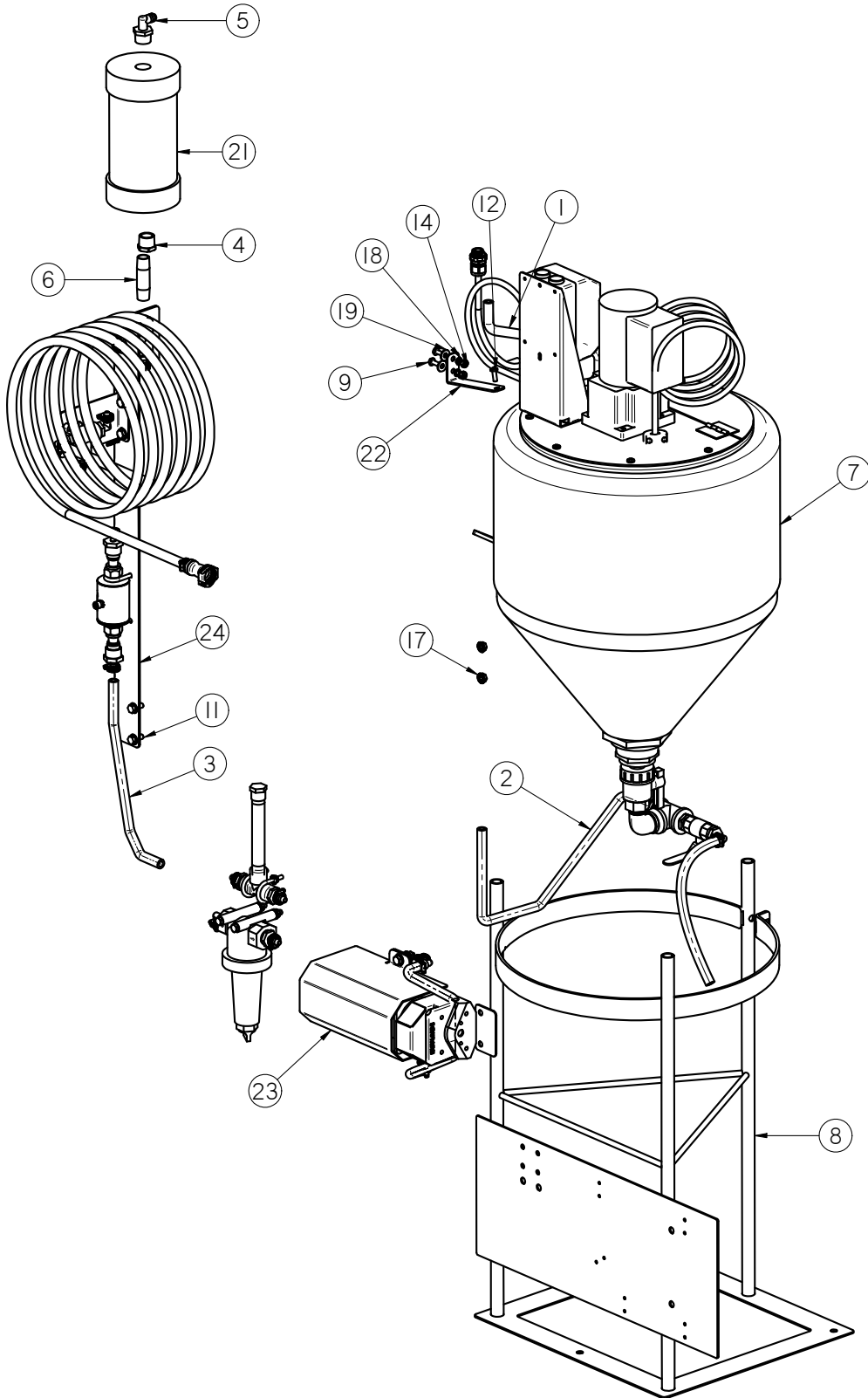
UNIVERSAL PUMP STAND

15 GALLON POLY TANK ASSY - WITH AGITATION - 2 HEAD (04-03-0206)

Item #	Part #	Description	Qty
1	01-01-0182	MOTOR .16HP 9075 RPM 1PH	1
2	02-02-0006	.500-14 NPT X 2-WAY VALVE	1
3	02-02-0056	VLV BALL .750 NPT FM PLAS	1
4	02-03-0005	DRAIN HOSE PUMP STAND .50	1
5	02-04-0008	BUSHING .750-14 NPT, REDUCER .500-14 NPT	1
6	02-04-0033	FTTG BUSH 2.00NPT X .750NPT PPE	1
7	02-05-0028	FTTG .500 NPT DBL THD PPE BULKHEAD	1
8	02-06-0006	FTTG 90 DEG .375HB X .500NPT ML NYL	1
9	02-06-0068	FTTG 90 DEG STRT .75NPT PPE BLK	1
10	02-07-0008	FTTG NIP .500 NPT X 1.125 TBE BLK	1
11	02-07-0025	NIPPLE 3/4" NPT CLOSE 304SS	1
12	02-07-0070	FTTG NIP .750 NPT X 1.50 TBE SS	1
13	02-08-0005	1/2-14 NPT, 3/8 BARB, STRAIGHT WP	1
14	02-08-0014	FTTG STGHT .375HB X .750NPT ML NYL	1
15	02-09-0008	TEE 3/4 NPT X 3/4 NPT X 3/4 NPT SS	1
16	03-13-0029	KIT SW MNL MP .07 HP MTR CHEM TNK	1
17	05-03-1135	WDMT STIR ARM 30GAL POLY	1
18	05-03-1136	WDMT LOWER STIR ARM 30GAL POLY	1
19	05-03-1542	WDMT 15GAL POLY LID WITH AGT	1
20	05-11-0416	CPLG SS .625 SS NO KWY	1
21	05-11-0420	ROD 15GAL DRV	1
22	06-01-0008	BOLT, .250-20 X 1 1/4" UNC ZP GRADE 5	4
23	06-01-0215	SCRW MACH #14 X .750 SS PLASTITE	5
24	06-03-0001	NUT,LOCK, .250-20 ZP G5 NYLON INSERT	4
25	06-07-0006	CLMP HOSE .500 TO .906 X .313W ZP	1
26	07-02-0007	TNK 15GAL 60 DEG 2.00 NPT OUT	1

UNIVERSAL PUMP STAND

15 GALLON POLY PUMP STAND ASSY - WITH AGITATION - 1 HEAD (04-03-0213)



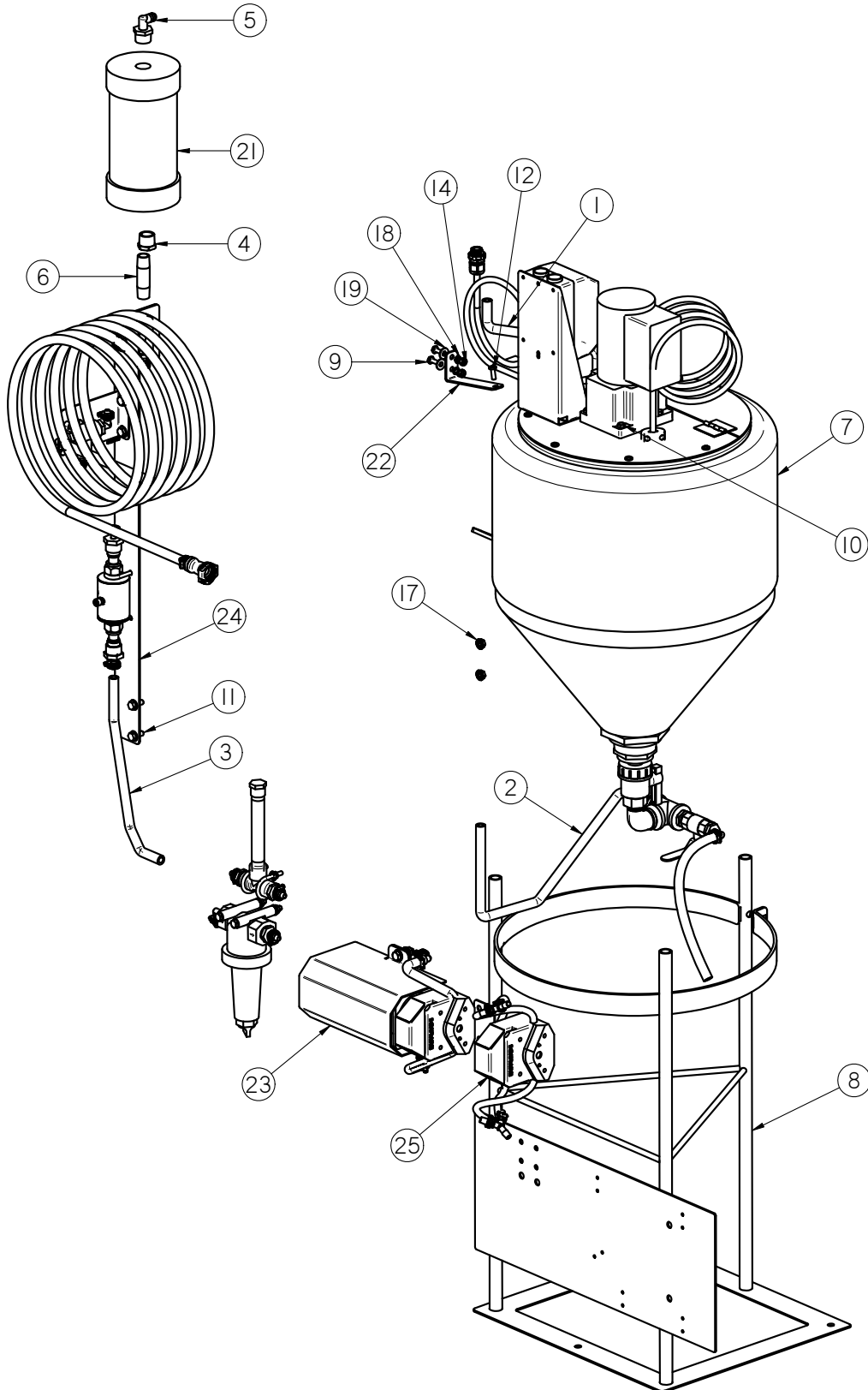
UNIVERSAL PUMP STAND

15 GALLON POLY PUMP STAND ASSY - WITH AGITATION - 1 HEAD (04-03-0213)

Item #	Part #	Description	Qty
1	02-03-0004	.375 RNT Tubing	11.3
2	02-03-0004	.375 RNT Tubing	22.5
3	02-03-0004	.375 RNT Tubing	14.7
4	02-04-0008	BUSHING .750-14 NPT, REDUCER .500-14 NPT	1
5	02-06-0011	FTTG 90 DEG .750HB X .500NPT ML NYL	1
6	02-07-0019	NIPPLE, .500-14 NPT X 3.0 LG 304SS	1
7	04-03-0206	ASSY 15 GAL POLY TANK	1
8	05-03-1486	WDMT 15 GAL TANK STAND	1
9	06-01-0006	BOLT, .250-20 X .75 UNC ZP GRADE 5	2
10	06-01-0008	BOLT, .250-20 X 1 1/4" UNC ZP GRADE 5	4
11	06-01-0138	BOLT, FLG .3125-18 UNC ZP GRADE 5; 3/4" LG	2
12	06-01-0215	SCRW MACH #14 X .750 SS PLASTITE	1
13	06-01-0262	BOLT CRG .375-16 X 4.50 FTH ZP GR5	1
14	06-02-0001	NUT FULL .250-20 ZP GR5	2
15	06-03-0001	NUT,LOCK, .250-20 ZP G5 NYLON INSERT	4
16	06-03-0014	NUT LOCK FLG .375-16 ZP GR5	1
17	06-03-0019	NUT, FLG .3125-18 UNC ZP GRADE 5	2
18	06-04-0001	WSHR LOCK SPLT .250 ZP	2
19	06-05-0001	WASHER, FLAT .250	2
20	06-07-0006	CLMP HOSE .500 TO .906 X .313W ZP	3
21	07-02-0018	CYL CALB LOOSE TOP 1300ML W/OZ LABEL	1
22	103793	CAL TUBE SUPP STRAP	1
23	13-04-0189	KIT LS HEAD X1 ASSY PUMPSTD .375 TBG	1
24	13-04-0190	KIT POLY PS STALK 30 GAL	1

UNIVERSAL PUMP STAND

15 GALLON POLY PUMP STAND ASSY - WITH AGITATION - 2 HEAD (04-03-0214)



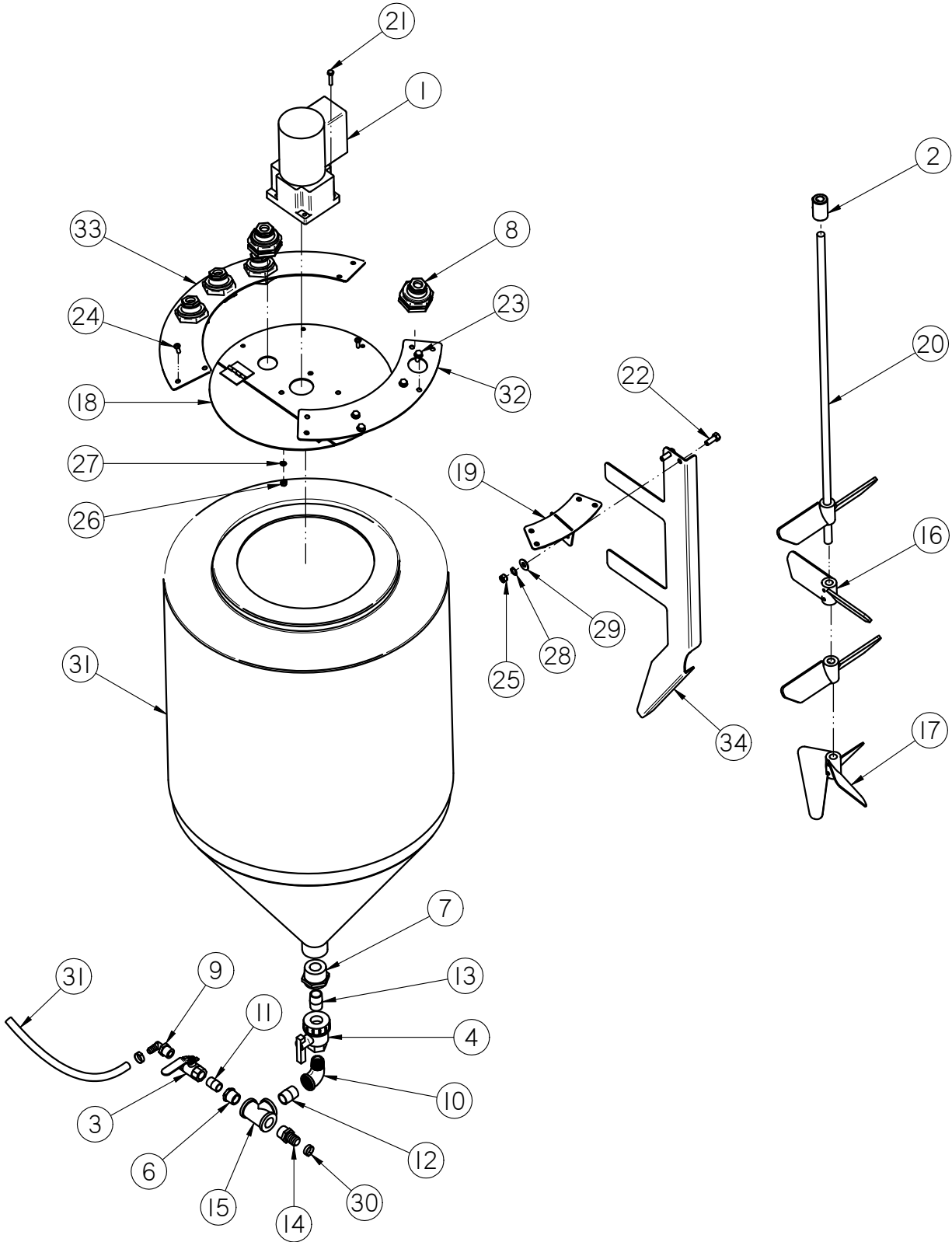
UNIVERSAL PUMP STAND

15 GALLON POLY PUMP STAND ASSY - WITH AGITATION - 2 HEAD (04-03-0214)

Item #	Part #	Description	Qty
1	02-03-0004	.375 RNT Tubing	11.3
2	02-03-0004	.375 RNT Tubing	22.5
3	02-03-0004	.375 RNT Tubing	14.7
4	02-04-0008	BUSHING .750-14 NPT, REDUCER .500-14 NPT	1
5	02-06-0011	FTTG 90 DEG .750HB X .500NPT ML NYL	1
6	02-07-0019	NIPPLE, .500-14 NPT X 3.0 LG 304SS	1
7	04-03-0206	ASSY 15 GAL POLY TANK	1
8	05-03-1486	WDMT 15 GAL TANK STAND	1
9	06-01-0006	BOLT, .250-20 X .75 UNC ZP GRADE 5	2
10	06-01-0008	BOLT, .250-20 X 1 1/4" UNC ZP GRADE 5	4
11	06-01-0138	BOLT, FLG .3125-18 UNC ZP GRADE 5; 3/4" LG	2
12	06-01-0215	SCRW MACH #14 X .750 SS PLASTITE	1
13	06-01-0262	BOLT CRG .375-16 X 4.50 FTH ZP GR5	1
14	06-02-0001	NUT FULL .250-20 ZP GR5	2
15	06-03-0001	NUT,LOCK, .250-20 ZP G5 NYLON INSERT	4
16	06-03-0014	NUT LOCK FLG .375-16 ZP GR5	1
17	06-03-0019	NUT, FLG .3125-18 UNC ZP GRADE 5	2
18	06-04-0001	WSHR LOCK SPLT .250 ZP	2
19	06-05-0001	WASHER, FLAT .250	2
20	06-07-0006	CLMP HOSE .500 TO .906 X .313W ZP	3
21	07-02-0018	CYL CALB LOOSE TOP 1300ML W/OZ LABEL	1
22	103793	CAL TUBE SUPP STRAP	1
23	13-04-0189	KIT LS HEAD X1 ASSY PUMPSTD .375 TBG	1
24	13-04-0190	KIT POLY PS STALK 30 GAL	1
25	13-04-0191	KIT ADDON 2ND LS PUMP HEAD .375 TBG	1

UNIVERSAL PUMP STAND

55 GALLON POLY TANK ASSEMBLY (04-03-0198)



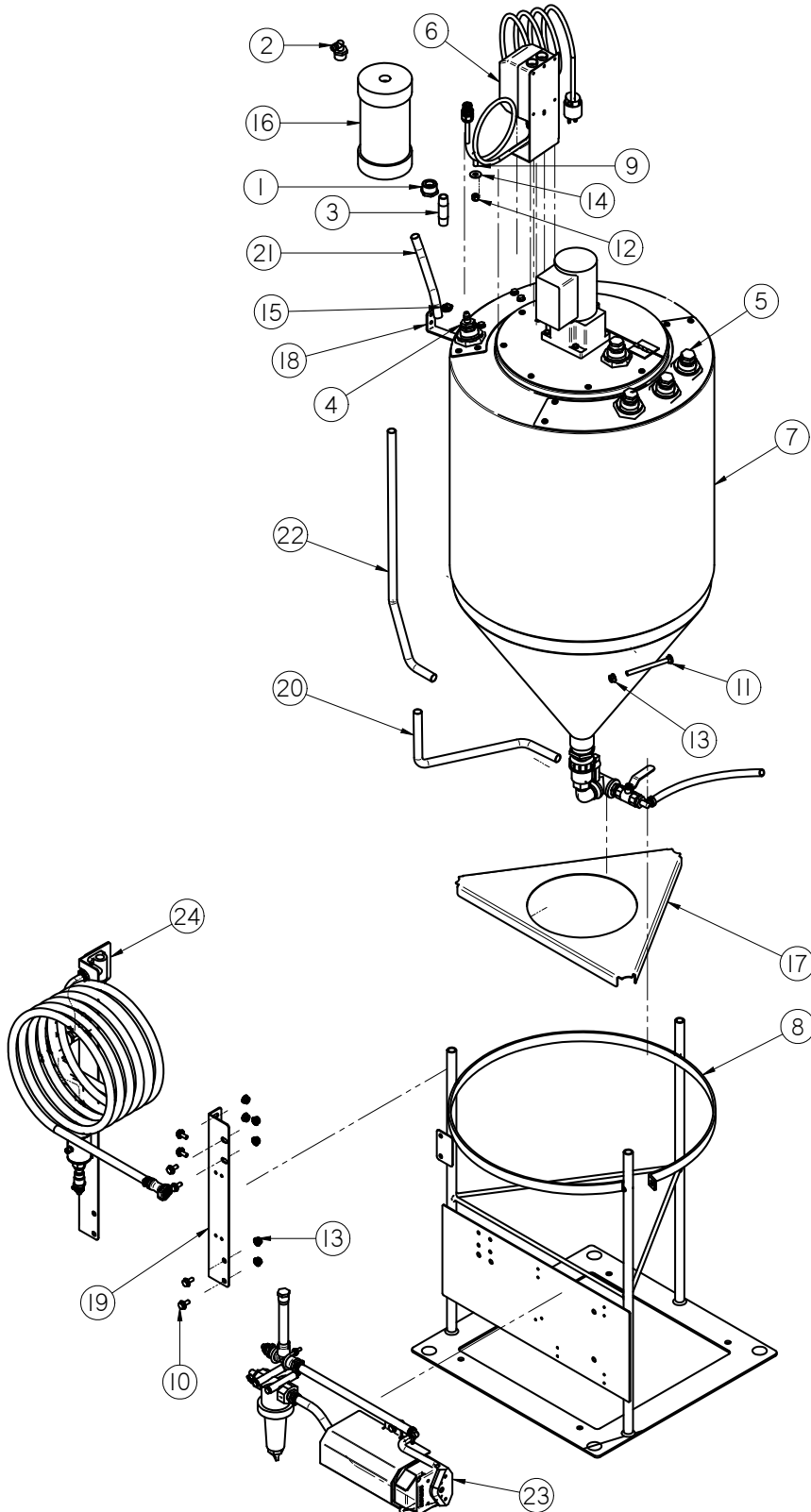
UNIVERSAL PUMP STAND

55 GALLON POLY TANK ASSEMBLY (04-03-0198)

Item #	Part #	Description	Qty
1	01-01-0182	MOTOR .16HP 9075 RPM 1PH	1
2	01-07-0013	CPLG SS .625 SS NO KWY W/ SETSCREWS	1
3	02-02-0006	.500-14 NPT X 2-WAY VALVE	1
4	02-02-0056	VLV BALL .750 NPT FM PLAS	1
5	02-03-0005	DRAIN HOSE PUMP STAND	1
6	02-04-0008	BUSHING .750-14 NPT, REDUCER .500-14 NPT	1
7	02-04-0034	FTTG BUSH 1.50NPT X .750NPT PPE	1
8	02-05-0028	FTTG .500 NPT DBL THD PPE BULKHEAD	5
9	02-06-0010	FTTG 90 DEG .500HB X .500NPT ML NYL	1
10	02-06-0068	FTTG 90 DEG STRT .75NPT PPE BLK	1
11	02-07-0007	FTTG NIP .500 NPT X 1.125 TBE SS	1
12	02-07-0025	NIPPLE 3/4" NPT CLOSE 304SS	1
13	02-07-0070	FTTG NIP .750 NPT X 1.50 TBE SS	1
14	02-08-0010	3/4-14 NPT TO .750 HB STRAIGHT (NYLON)	1
15	02-09-0008	TEE 3/4 NPT X 3/4 NPT X 3/4 NPT SS	1
16	05-03-1135	WDMT STIR ARM 30GAL POLY	3
17	05-03-1136	WDMT LOWER STIR ARM 30GAL POLY	1
18	05-03-1458	WDMT 30GAL POLY LID WITH CAL TUBE	1
19	05-03-1481	WDMT ADJ BAFFLE MNT	1
20	05-11-0361	ROD 60GAL DRV	1
21	06-01-0008	BOLT, .250-20 X 1 1/4" UNC ZP GRADE 5	4
22	06-01-0017	BOLT .375-16 X 1.00 SS 18-8	2
23	06-01-0138	BOLT, FLG .3125-18 UNC ZP GRADE 5; 3/4" LG	4
24	06-01-0215	SCRW MACH #14 X .750 SS PLASTITE	13
25	06-02-0010	NUT, .375-16 UNC 18-8 SS	2
26	06-03-0001	NUT,LOCK, .250-20 ZP G5 NYLON INSERT	4
27	06-04-0001	WSHR LOCK SPLT .250 ZP	4
28	06-04-0008	WASHER, .375 LOCK 316 SS	2
29	06-05-0009	WASHER, .375 FLAT 316 SS	2
30	06-07-0029	HOSE CLAMP ONE EAR, .716-.827	2
31	07-02-0021	TNK 60GAL CONE 1.5 FPT OUTLET FD	1
32	103055	TANK MNT PLT 30GAL POLY	1
33	103056	BULKHEAD MNT PLT POLY TANK	1
34	1036D1	SIDE BAFFLE ADJ 60GAL POLY	1

UNIVERSAL PUMP STAND

55 GALLON POLY PUMP STAND ASSEMBLY- 1 HEAD (04-03-0188)



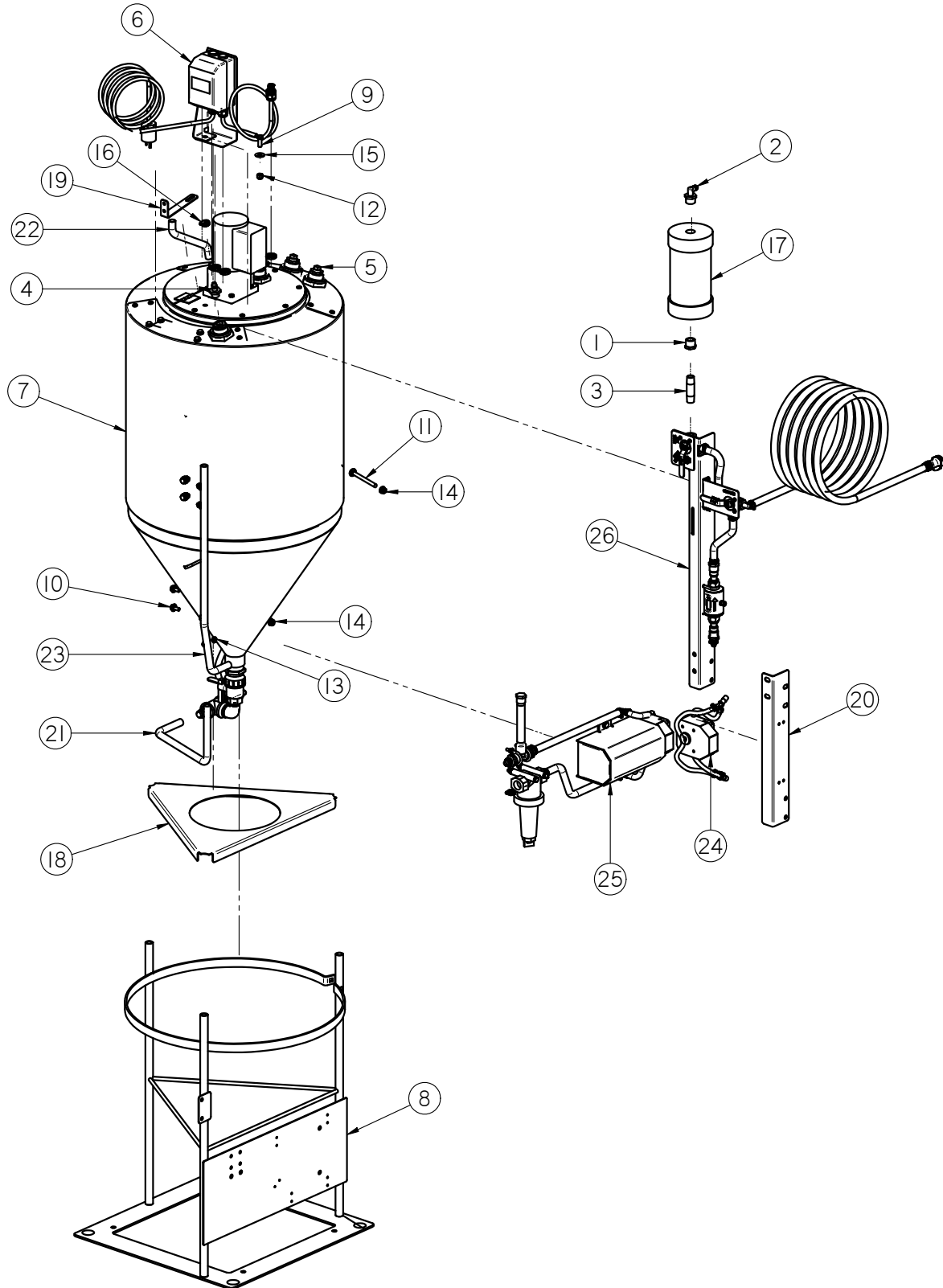
UNIVERSAL PUMP STAND

55 GALLON POLY PUMP STAND ASSEMBLY- 1 HEAD (04-03-0188)

Item #	Part #	Description	Qty
1	02-04-0008	BUSHING .750-14 NPT, REDUCER .500-14 NPT	1
2	02-06-0011	FTTG 90 DEG .750HB X .500NPT ML NYL	1
3	02-07-0019	NIPPLE, .500-14 NPT, 3.0"LG 304SS TBE	1
4	02-08-0007	FTTG STGHT .500HB X .500NPT ML NYL	4
5	02-14-0002	1/2-14 NPT,PLUG BP	1
6	03-13-0029	KIT SW MNL MP .07 HP MTR CHEM TNK	1
7	04-03-0198	60GAL POLY NEW AGT MOTOR	1
8	05-03-1457	WDMT TANKSTD 30GAL PUMPSTD WITH MNT PLT	1
9	06-01-0016	BOLT .375-16 X 1.00 ZP GR5	6
10	06-01-0124	BOLT, FLG .375-16 UNC ZP GRADE 5; 3/4" LG	1
11	06-01-0262	BOLT CRG .375-16 X 4.50 FTH ZP GR5	1
12	06-03-0003	NUT NYL LOCK .375-16 ZP GR5	7
13	06-03-0014	NUT LOCK FLG .375-16 ZP GR5	1
14	06-05-0004	WSHR FLAT .375 ZP	1
15	06-07-0006	CLMP HOSE .500 TO .906 X .313W ZP	1
16	07-02-0018	CYL CALB LOOSE TOP 1300ML W/OZ LABEL	1
17	1029BC	BRKT TNK CRADLE 30GAL	1
18	1035A2	CAL TUBE SUPP STRAP	1
19	1035DE	CAL TUBE SUPPORT 60GAL	1
20	103620	TUBE	1
21	103624	TUBE	1
22	103626	TUBE	1
23	13-04-0175	KIT LS HEAD X1 ASSY PUMPSTD 2014	1
24	13-04-0177	KIT POLY PS STALK 30 GAL	X

UNIVERSAL PUMP STAND

55 GALLON POLY PUMP STAND ASSEMBLY- 2 HEAD (04-03-0189)



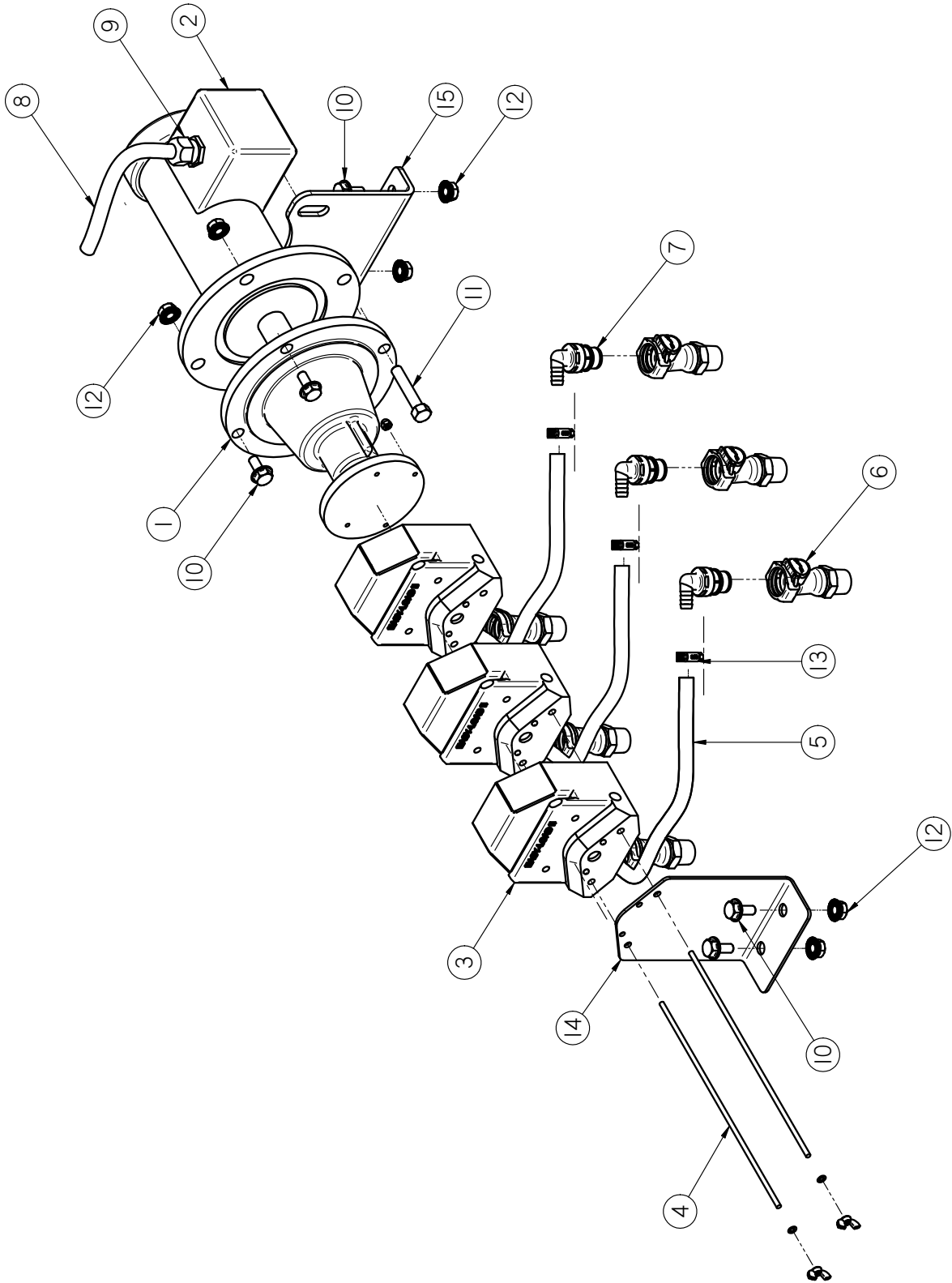
UNIVERSAL PUMP STAND

55 GALLON POLY PUMP STAND ASSEMBLY- 2 HEAD (04-03-0189)

Item #	Part #	Description	Qty
1	02-04-0008	BUSHING .750-14 NPT, REDUCER .500-14 NPT	1
2	02-06-0011	FTTG 90 DEG .750HB X .500NPT ML NYL	1
3	02-07-0019	NIPPLE, .500-14 NPT X 3.0 LG 304SS	1
4	02-08-0007	FTTG STGHT .500HB X .500NPT ML NYL	1
5	02-14-0001	.500-14 NPT,PLUG, SQUARE HEAD	4
6	03-13-0029	KIT SW MNL MP .07 HP MTR CHEM TNK	1
7	04-03-0198	60GAL POLY NEW AGT MOTOR	1
8	05-03-1457	WDMT TANKSTD 30GAL PUMPSTD WITH MNT PLT	1
9	06-01-0016	BOLT .375-16 X 1.00 ZP GR5	1
10	06-01-0124	BOLT, FLG .375-16 UNC ZP GRADE 5; 3/4" LG	6
11	06-01-0262	BOLT CRG .375-16 X 4.50 FTH ZP GR5	1
12	06-03-0003	NUT NYL LOCK .375-16 ZP GR5	1
13	06-03-0013	NUT,LOCK, FLG .250-20 ZP SERRATTED	2
14	06-03-0014	NUT LOCK FLG .375-16 ZP GR5	7
15	06-05-0004	WSHR FLAT .375 ZP	1
16	06-07-0006	CLMP HOSE .500 TO .906 X .313W ZP	1
17	07-02-0018	CYL CALB LOOSE TOP 1300ML W/OZ LABEL	1
18	1029BC	BRKT TNK CRADLE 30GAL	1
19	1035A2	CAL TUBE SUPP STRAP	1
20	1035DE	CAL TUBE SUPPORT 60GAL	1
21	103620	TUBE	1
22	103624	TUBE	1
23	103626	TUBE	1
24	13-04-0053	KIT ADDON 2ND LS PUMP HEAD	1
25	13-04-0175	KIT LS HEAD X1 ASSY PUMPSTD 2014	1
26	13-04-0177	KIT POLY PS STALK 30 GAL	1

UNIVERSAL PUMP STAND

PERISTALTIC PUMP ASSEMBLY- 3 HEAD (13-04-0103)



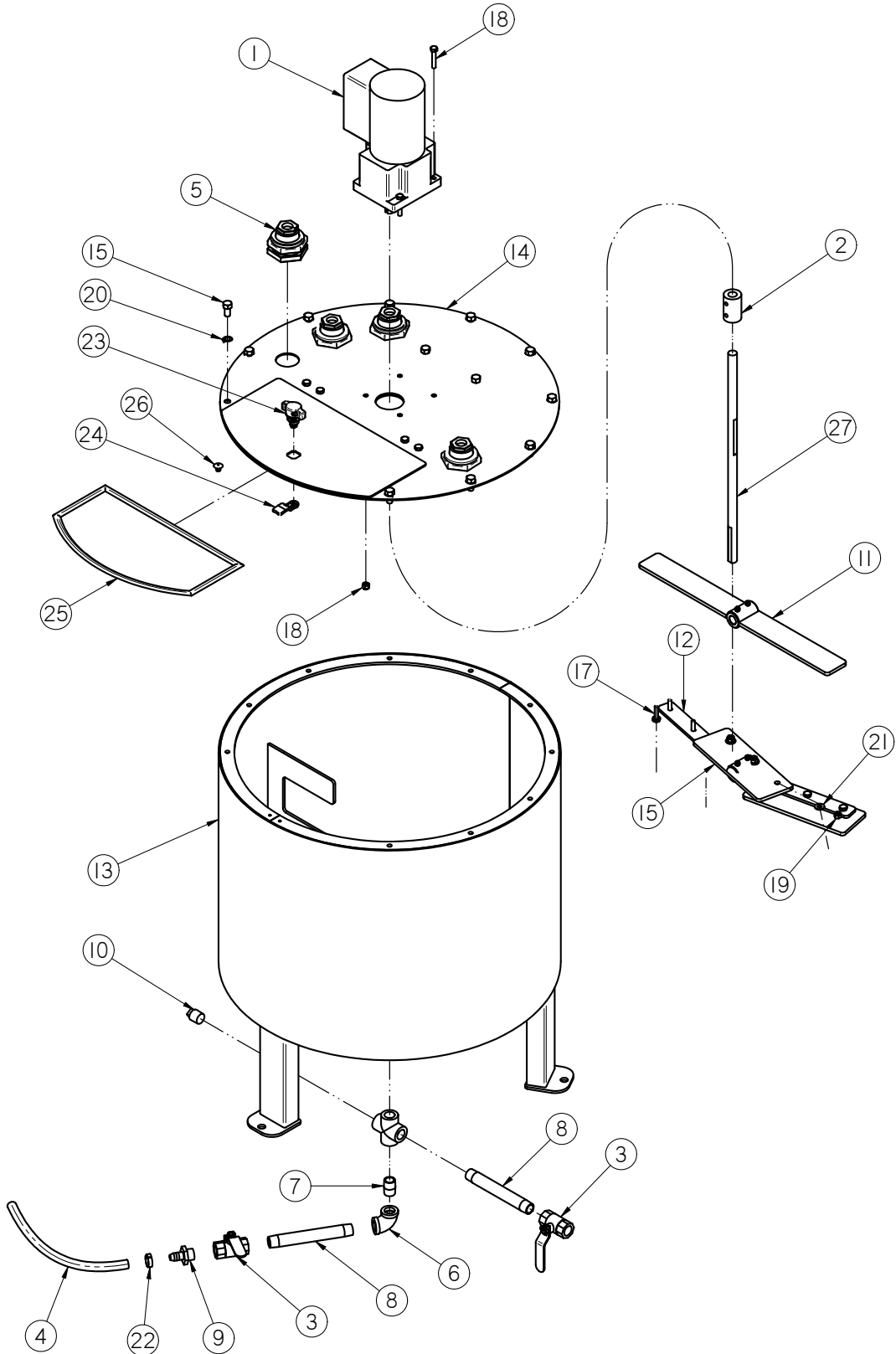
UNIVERSAL PUMP STAND

PERISTALTIC PUMP ASSEMBLY- 3 HEAD (13-04-0103)

Item #	Part #	Description	Qty
1	01-01-0066	SPEED REDUCER, 3.7 TO 1	1
2	01-01-0160	MTR .25HP 2500 RPM 34 90VDC	1
3	02-01-0005	PUMP HEAD PRST MF LS 115V 600RPM	3
4	02-01-0033	PUMP 3 MF HARDWARE SS - LS HEAD	1
5	02-03-0001	HOSE MF .375 NPRN BLK - LS35 .31 ID	6
6	02-15-0016	FTTG CPLG .500 NPT QCK DISC BODY	6
7	02-15-0022	FTTG CPLG .375 HB X 90 QCK DISC INSERT	6
8	03-07-0013	CORDSEO143 (KD) 14/3 SEO WIRE CORD	1
9	03-08-0064	CONN CG PLASTIC 0.5NPT .200-.472	1
10	06-01-0124	BOLT, FLG .375-16 UNC ZP GRADE 5; 3/4" LG	6
11	06-01-0137	BOLT .375-16 X 2.00 ZP GR5 FULL THRD	2
12	06-03-0014	NUT LOCK FLG .375-16 ZP GR5	8
13	06-07-0005	CLMP HOSE .219 TO .625 X .313W ZP	6
14	102213	BRKT 3PUMPHEAD MNT PUMPSTD	1
15	102214	BRKT 3HEAD MOTOR MNT PUMPSTD	1

UNIVERSAL PUMP STAND

STAINLESS STEEL MIX TANK ASSEMBLY - 30 GALLON (04-03-0194)



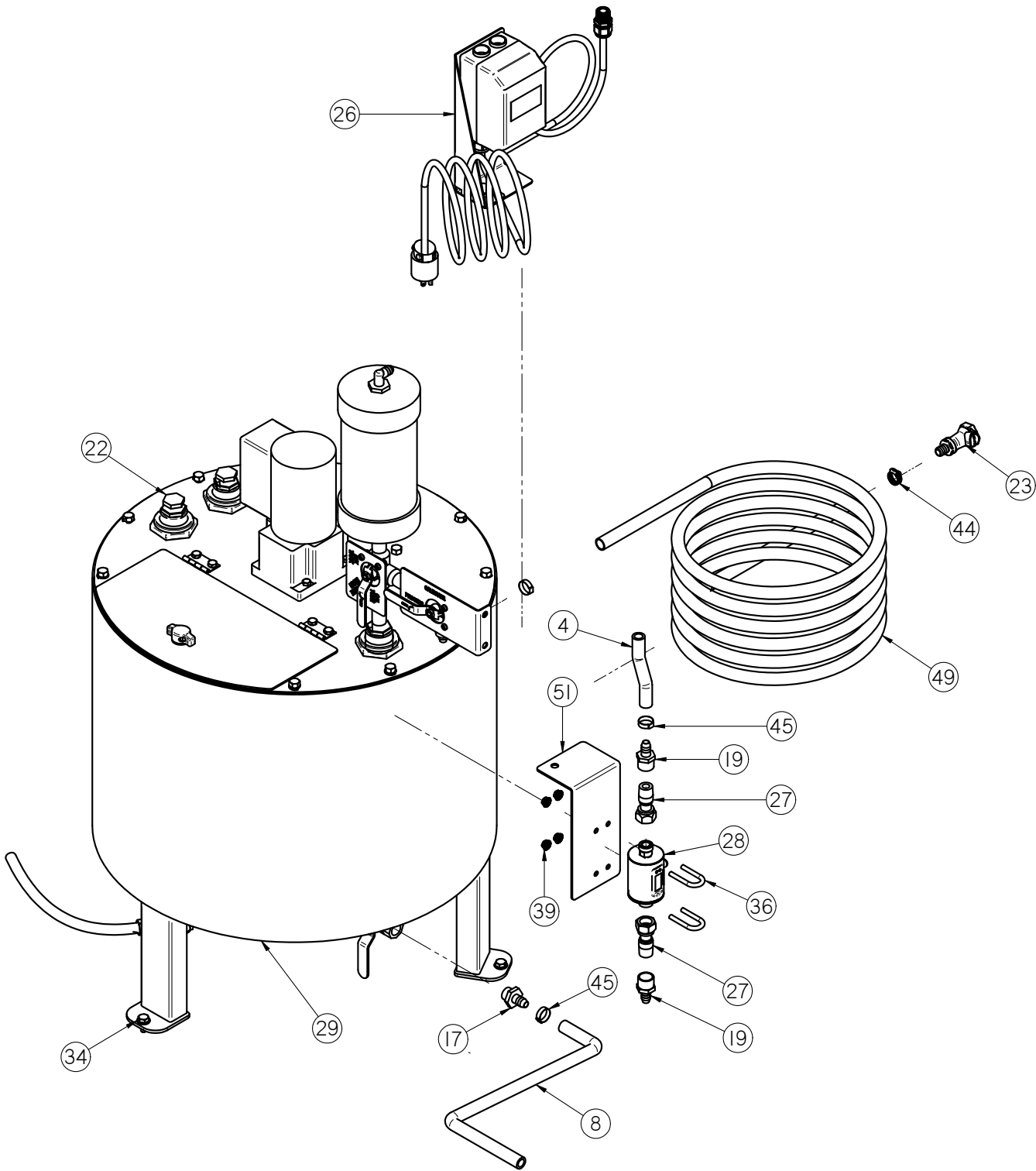
UNIVERSAL PUMP STAND

STAINLESS STEEL MIX TANK ASSEMBLY - 30 GALLON (04-03-0194)

Item #	Part #	Description	Qty
1	01-01-0182	MOTOR .16HP 9075 RPM 1PH	1
2	01-07-0013	CPLG SS .625 SS NO KWY RGD	1
3	02-02-0006	.500-14 NPT X 2-WAY VALVE	2
4	02-03-0005	DRAIN HOSE PUMP STAND	1
5	02-05-0028	FTTG .500 NPT DBL THD PPE BULKHEAD	4
6	02-06-0012	ELBOW, .500-14 NPT, 90 DEG. SS	1
7	02-07-0007	FTTG NIP .500 NPT X 1.125 TBE SS	1
8	02-07-0015	FTTG NIP .500 NPT X 6.00 TBE SS	2
9	02-08-0007	FTTG STGHT .500HB X .500NPT ML NYL	1
10	02-14-0001	FTTG PLUG SQHD .500 NPT SS	1
11	05-03-0069	WDMT 50GAL MIDDLE STIR ARM	1
12	05-03-0070	WDMT 50GAL LOWER STIR ARM	1
13	05-03-1384	WDMT BASE 30GAL TANK	1
14	05-03-1463	ASSY SS TANK LID AGT/M	1
15	05-10-0878	PDL 50GAL WIPER	2
16	06-01-0042	BOLT .375-16 X .750 SS 18-8	10
17	06-01-0051	BOLT, .250-20 X 1.00 UNC 316 SS	6
18	06-01-0052	BOLT, .250-20 X 1 1/2" UNC ZP G5	4
19	06-03-0007	NUT,LOCK, .250-20 316 SS NYLON INSERT	10
20	06-04-0008	WASHER, .375 LOCK 316 SS	10
21	06-05-0002	WSHR FLAT .250 X .625OD SS 18-8	6
22	06-07-0029	HOSE CLAMP ONE EAR, .716-.827	1
23	06-09-0075	KNOB WING LATCH	1
24	06-09-0076	KNOB WING CAM	1
25	06-10-0001	SEAL RBBR BULBS CHAR .500 X .250	1
26	06-12-0022	RIVET POP .188 X .312 GRIP SS .65HD	2
27	102EAC	ROD 30GAL DRV	1

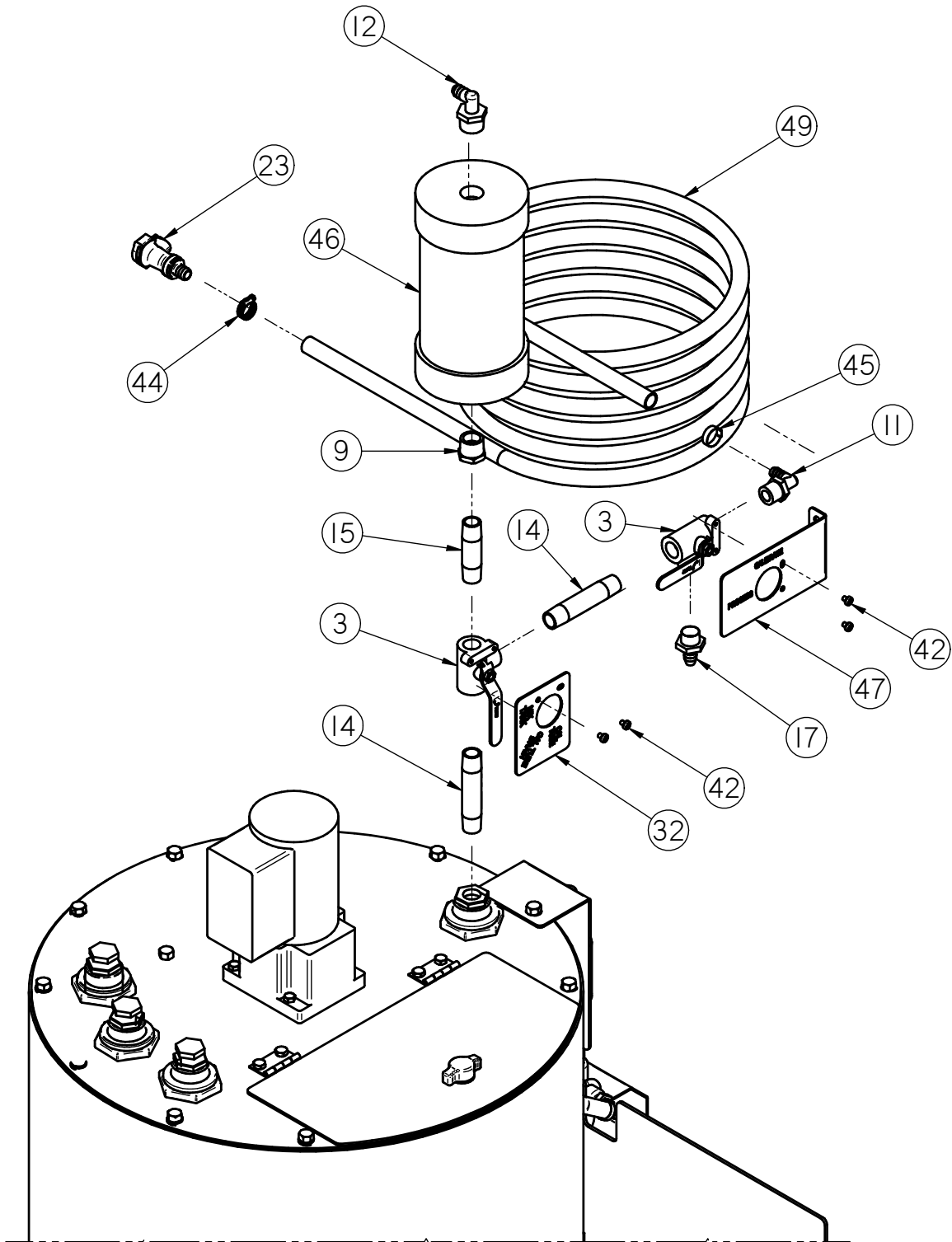
UNIVERSAL PUMP STAND

30 GALLON SS PUMP STAND ASSEMBLY – 1 HEAD (04-03-0190)



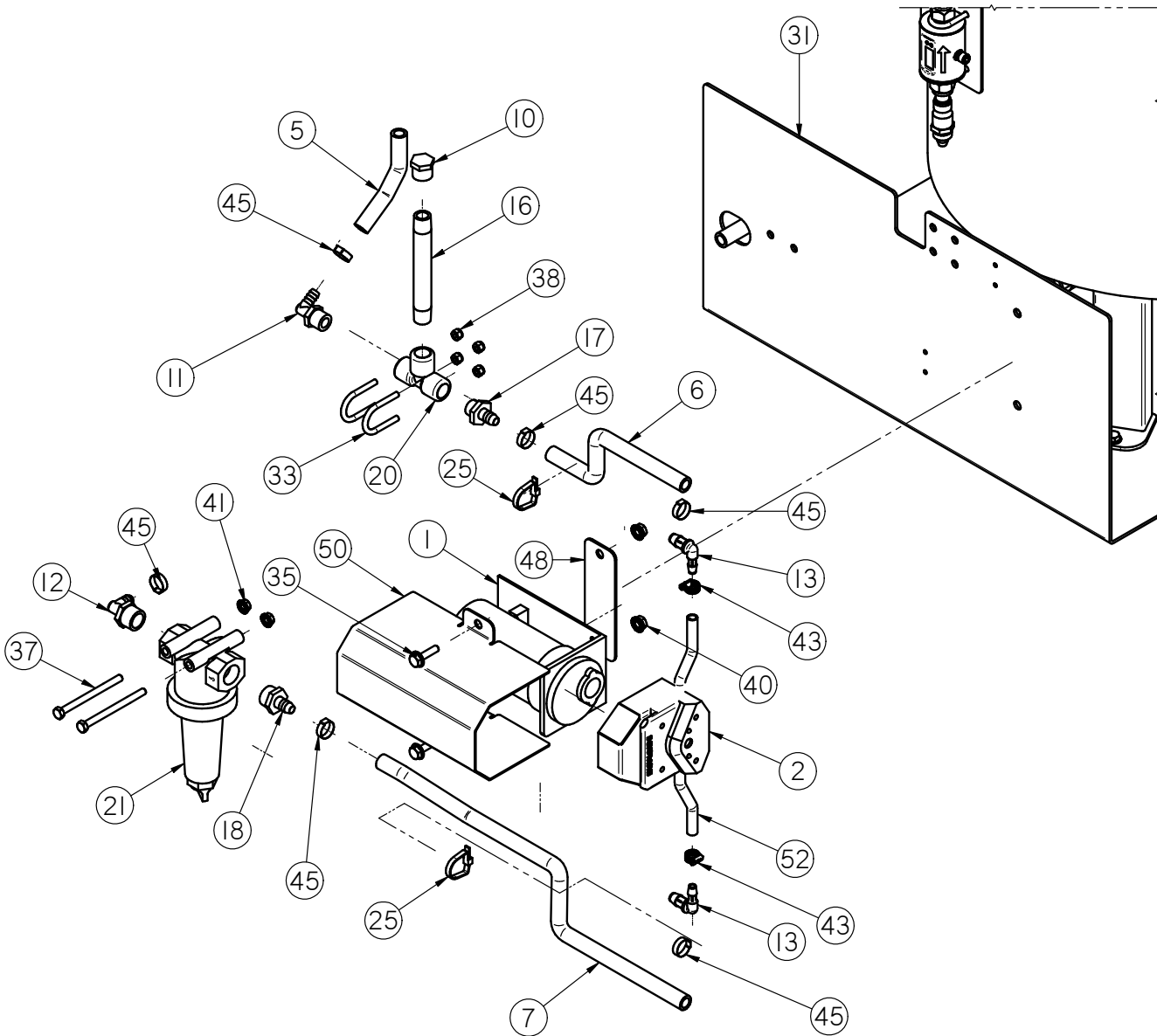
UNIVERSAL PUMP STAND

30 GALLON SS PUMP STAND ASSEMBLY – 1 HEAD (04-03-0190)



UNIVERSAL PUMP STAND

30 GALLON SS PUMP STAND ASSEMBLY – 1 HEAD (04-03-0190)



UNIVERSAL PUMP STAND

30 GALLON SS PUMP STAND ASSEMBLY – 1 HEAD (04-03-0190)

Item #	Part #	Description	Qty
1	01-01-0010	MTR .1HP 6-600RPM 90VDC	1
2	02-01-0005	PUMP HEAD PRST MF LS 115V 600RPM	1
3	02-02-0007	VLV BALL .500 NPT 3WAY BRSS	2
4	02-03-0005	HOSE RNT .500 CLEAR 4.75"	1
5	02-03-0005	HOSE RNT .500 CLEAR 5.5"	1
6	02-03-0005	HOSE RNT .500 CLEAR 9"	1
7	02-03-0005	HOSE RNT .500 CLEAR 18.75"	1
8	02-03-0005	HOSE RNT .500 CLEAR 19"	1
9	02-04-0008	BUSHING .750-14 NPT, REDUCER .500-14 NPT	1
10	02-05-0086	FTTG END CAP .500 NPT BP	1
11	02-06-0010	FTTG 90 DEG .500HB X .500NPT ML NYL	2
12	02-06-0011	FTTG 90 DEG .750HB X .500NPT ML NYL	2
13	02-06-0076	FTTG 90 DEG .500HB X .375HB NYL	2
14	02-07-0013	NIPPLE, .500-14 NPT X 4.0 LG 304SS	2
15	02-07-0019	NIPPLE, .500-14 NPT X 3.0 LG 304SS	1
16	02-07-0060	FTTG NIP .500 NPT X 6.00 TBE PVC	1
17	02-08-0007	FTTG STGHT .500HB X .500NPT ML NYL	3
18	02-08-0008	.750-14 NPT, .500 HOSE BARB, STRAIGHT WP	1
19	02-08-0026	FTTG STGHT .500HB X .500NPT FM NYL	2
20	02-09-0005	FTTG TEE .500 NPT PPE	1
21	02-12-0011	FLTR TEE PPE .750 NPT 16 MESH BANJO	1
22	02-14-0002	1/2-14 NPT,PLUG BP	3
23	02-15-0013	FTTG CPLG .500 HB QCK DISC BODY	1
24	03-08-0316	CONN TRCK RK4.4T-8-RS4.4T/S760/S771	1
25	03-09-0002	CBL TIE 14.00 X .190 UVRST	2
26	03-13-0029	KIT SW MNL MP .07 HP MTR CHEM TNK	1
27	03-18-0020	FTTG ADPTR G1/2 TO 1/2NPT ML IFM	2
28	03-18-0025	FLMT IFM EFECTOR SM6000 AE 1/2 IN	1
29	04-03-0194	30 GAL MIX TANK WITH NEW AGT MOTOR	1
30	05-03-1072	ASSY SPACER PUMPSTD	1
31	05-03-1465	PLT STAND SS TANK	1
32	05-10-3272	LBL SC CAL TUBE	1
33	06-01-0120	U BOLT 1/4-20 1-1/8 INSIDE 2" LG	2
34	06-01-0124	BOLT, FLG .375-16 UNC ZP GRADE 5; 3/4" LG	7
35	06-01-0189	BOLT, FLG .375-16 UNC ZP GRADE 5; 1-1/4" LG	2

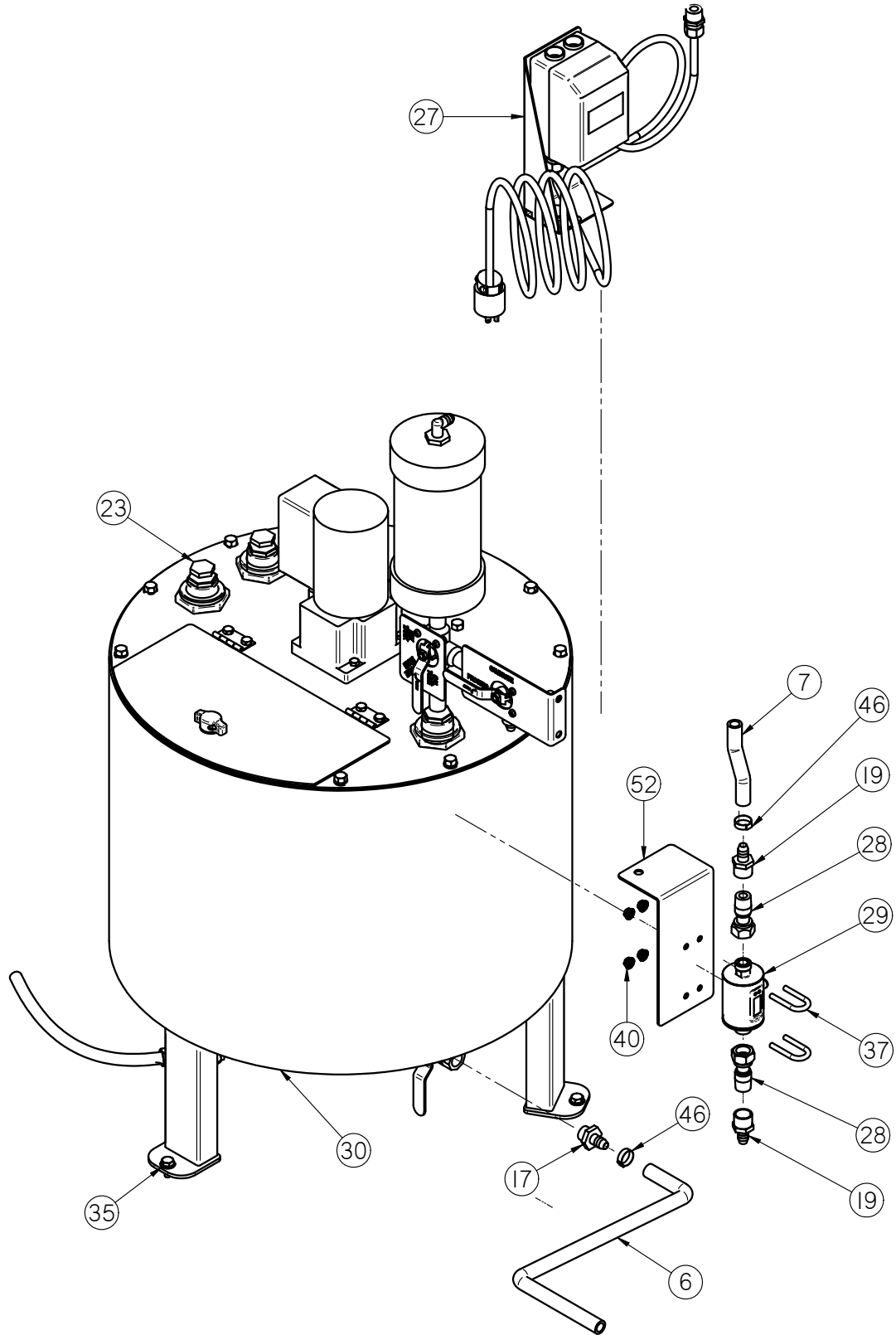
UNIVERSAL PUMP STAND

30 GALLON SS PUMP STAND ASSEMBLY – 1 HEAD (04-03-0190)

Item #	Part #	Description	Qty
36	06-01-0199	BOLT U .250-20 X 0.75 X 2.25 ZP	2
37	06-01-0248	BOLT, .3125-18 UNC ZP G5; 4.00" LG	2
38	06-03-0001	NUT,LOCK, .250-20 ZP G5 NYLON INSERT	4
39	06-03-0013	NUT,LOCK, FLG .250-20 ZP SERRATED	4
40	06-03-0014	NUT LOCK FLG .375-16 ZP GR5	2
41	06-03-0019	NUT LOCK FLG .3125-18 ZP GR5	2
42	06-06-0008	SCRW MACH 10-24 X .250 PHLP PHD ZP	4
43	06-07-0005	CLMP HOSE .219 TO .625 X .313W ZP	2
44	06-07-0006	CLMP HOSE .500 TO .906 X .313W ZP	1
45	06-07-0029	HOSE CLAMP ONE EAR, .716-.827	11
46	07-02-0018	CYL CALB LOOSE TOP 1300ML W/OZ LABEL	1
47	09-01-0171	PLT VLV LABEL PLT BRK RH	1
48	102276	BRKT PUMP MOUNT PUMPSTD	1
49	102A89	TUBE	1
50	103182	PLT PUMP MTR COVER	1
51	10365C	FLOWMETER BRKT	1
52	13-05-0018	HOSE .375 BLK MF L/S-35 20IN	4

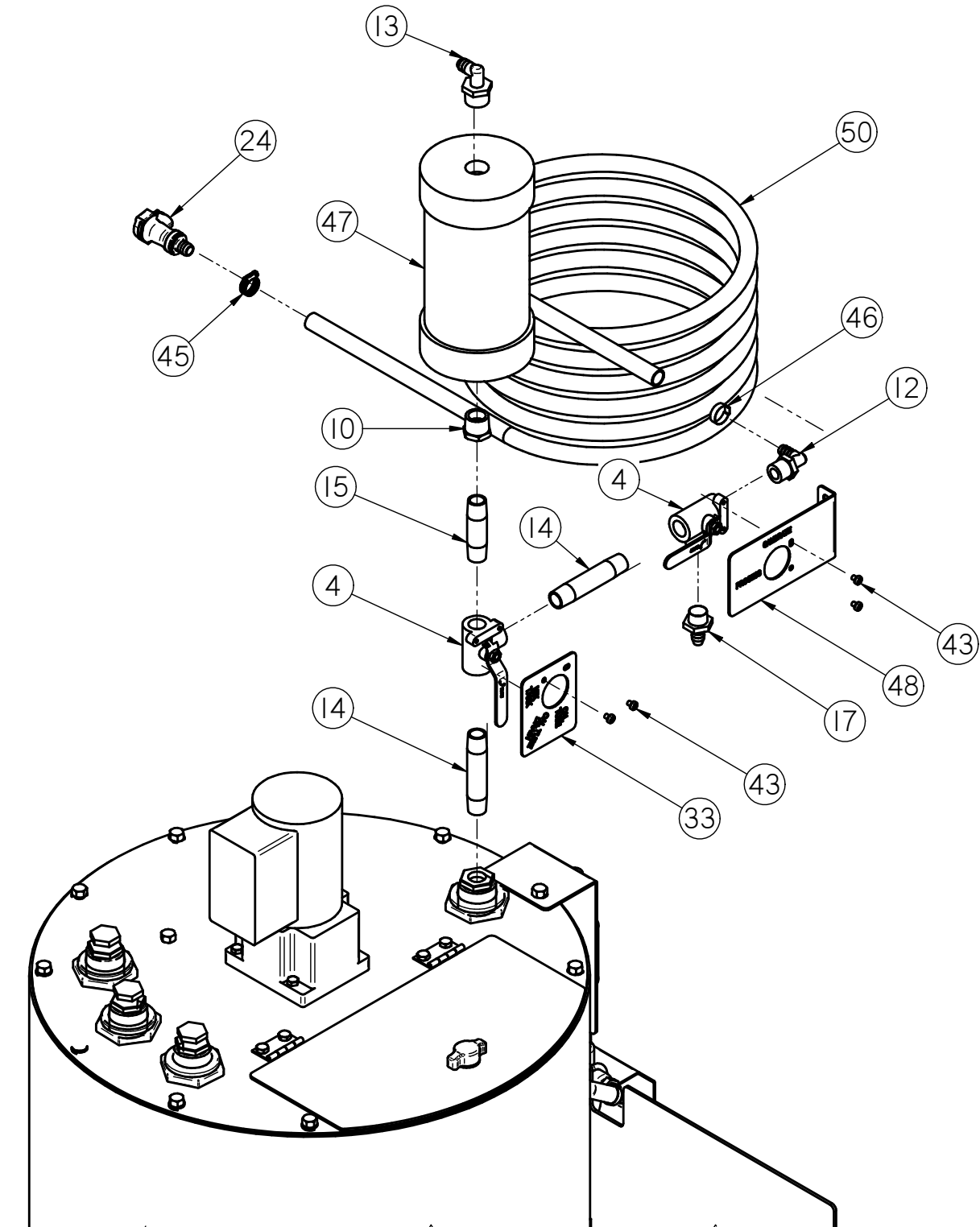
UNIVERSAL PUMP STAND

30 GALLON SS PUMP STAND ASSEMBLY – 2 HEAD (04-03-0191)



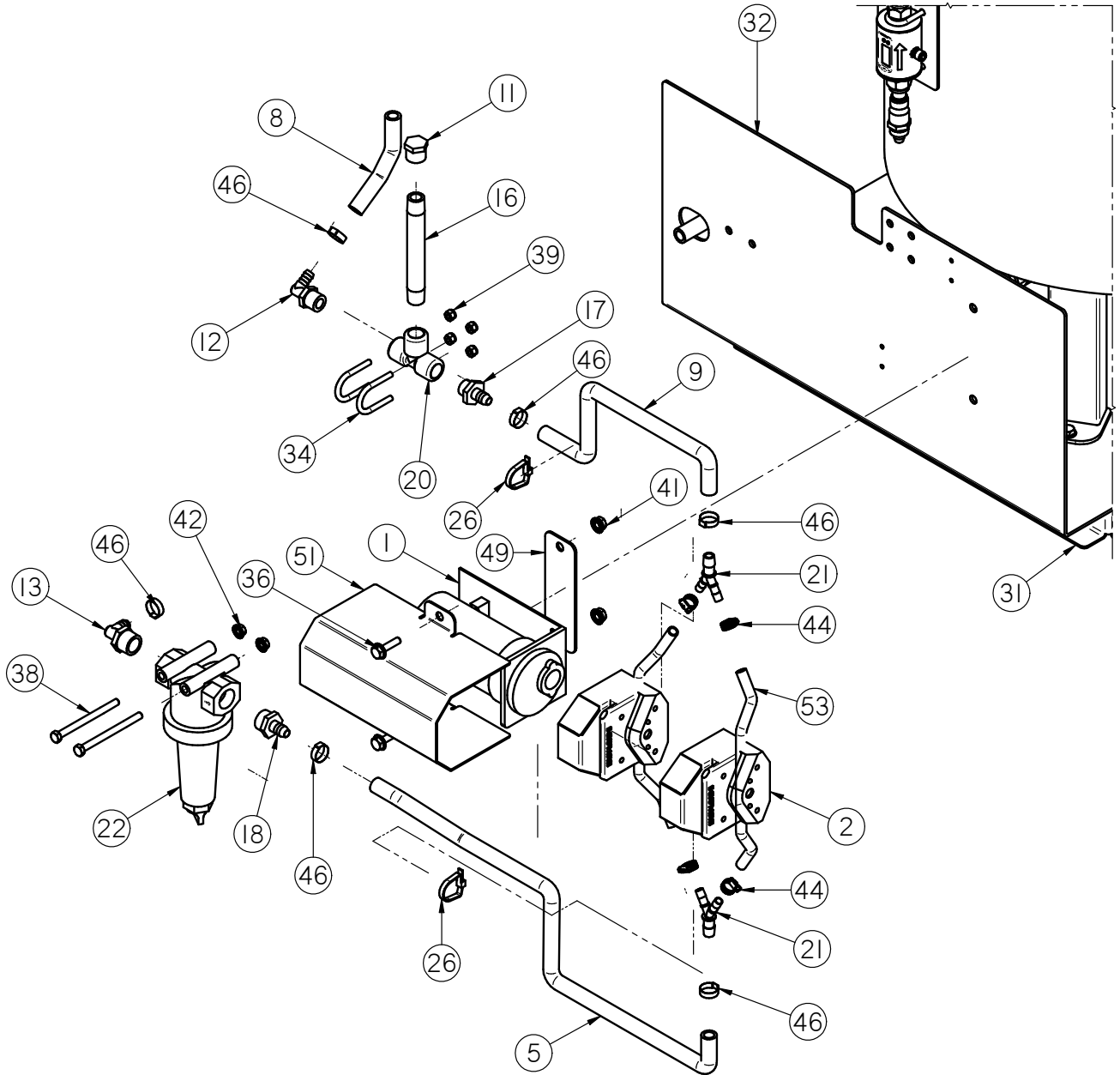
UNIVERSAL PUMP STAND

30 GALLON SS PUMP STAND ASSEMBLY – 2 HEAD (04-03-0191)



UNIVERSAL PUMP STAND

30 GALLON SS PUMP STAND ASSEMBLY – 2 HEAD (04-03-0191)



UNIVERSAL PUMP STAND

30 GALLON SS PUMP STAND ASSEMBLY – 2 HEAD (04-03-0191)

Item #	Part #	Description	Qty
1	01-01-0010	MTR .1HP 6-600RPM 90VDC	1
2	02-01-0005	PUMP HEAD PRST MF LS 115V 600RPM	2
3	02-01-0013	PUMP DUAL MF LS HARDWARE SS	1
4	02-02-0007	VLV BALL .500 NPT 3WAY BRSS	2
5	02-03-0005	HOSE RNT .500 CLEAR 4.75"	1
6	02-03-0005	HOSE RNT .500 CLEAR 5.5"	1
7	02-03-0005	HOSE RNT .500 CLEAR 9"	1
8	02-03-0005	HOSE RNT .500 CLEAR 18.75"	1
9	02-03-0005	HOSE RNT .500 CLEAR 19"	1
10	02-04-0008	BUSHING .750-14 NPT, REDUCER .500-14 NPT	1
11	02-05-0086	FTTG END CAP .500 NPT BP	1
12	02-06-0010	FTTG 90 DEG .500HB X .500NPT ML NYL	2
13	02-06-0011	FTTG 90 DEG .750HB X .500NPT ML NYL	2
14	02-07-0013	NIPPLE, .500-14 NPT X 4.0 LG 304SS	2
15	02-07-0019	NIPPLE, .500-14 NPT X 3.0 LG 304SS	1
16	02-07-0060	FTTG NIP .500 NPT X 6.00 TBE PVC	1
17	02-08-0007	FTTG STGHT .500HB X .500NPT ML NYL	3
18	02-08-0008	.750-14 NPT, .500 HOSE BARB, STRAIGHT WP	1
19	02-08-0026	FTTG STGHT .500HB X .500NPT FM NYL	2
20	02-09-0005	FTTG TEE .500 NPT PPE	1
21	02-10-0004	FTTG WYE .500HB .375HB .375HB	4
22	02-12-0011	FLTR TEE PPE .750 NPT 16 MESH BANJO	1
23	02-14-0002	1/2-14 NPT, PLUG BP	3
24	02-15-0013	FTTG CPLG .500 HB QCK DISC BODY	1
25	03-08-0316	CONN TRCK RK4.4T-8-RS4.4T/S760/S771	1
26	03-09-0002	CBL TIE 14.00 X .190 UVRST	2
27	03-13-0029	KIT SW MNL MP .07 HP MTR CHEM TNK	1
28	03-18-0020	FTTG ADPTR G1/2 TO 1/2NPT ML IFM	2
29	03-18-0025	FLMT IFM EFECTOR SM6000 AE 1/2 IN	1
30	04-03-0194	30 GAL MIX TANK WITH NEW AGT MOTOR	1
31	05-03-1072	ASSY SPACER PUMPSTD	1
32	05-03-1465	PLT STAND SS TANK	1
33	05-10-3272	LBL SC CAL TUBE	1
34	06-01-0120	U BOLT 1/4-20 1-1/8 INSIDE 2" LG	2
35	06-01-0124	BOLT, FLG .375-16 UNC ZP GRADE 5; 3/4" LG	7

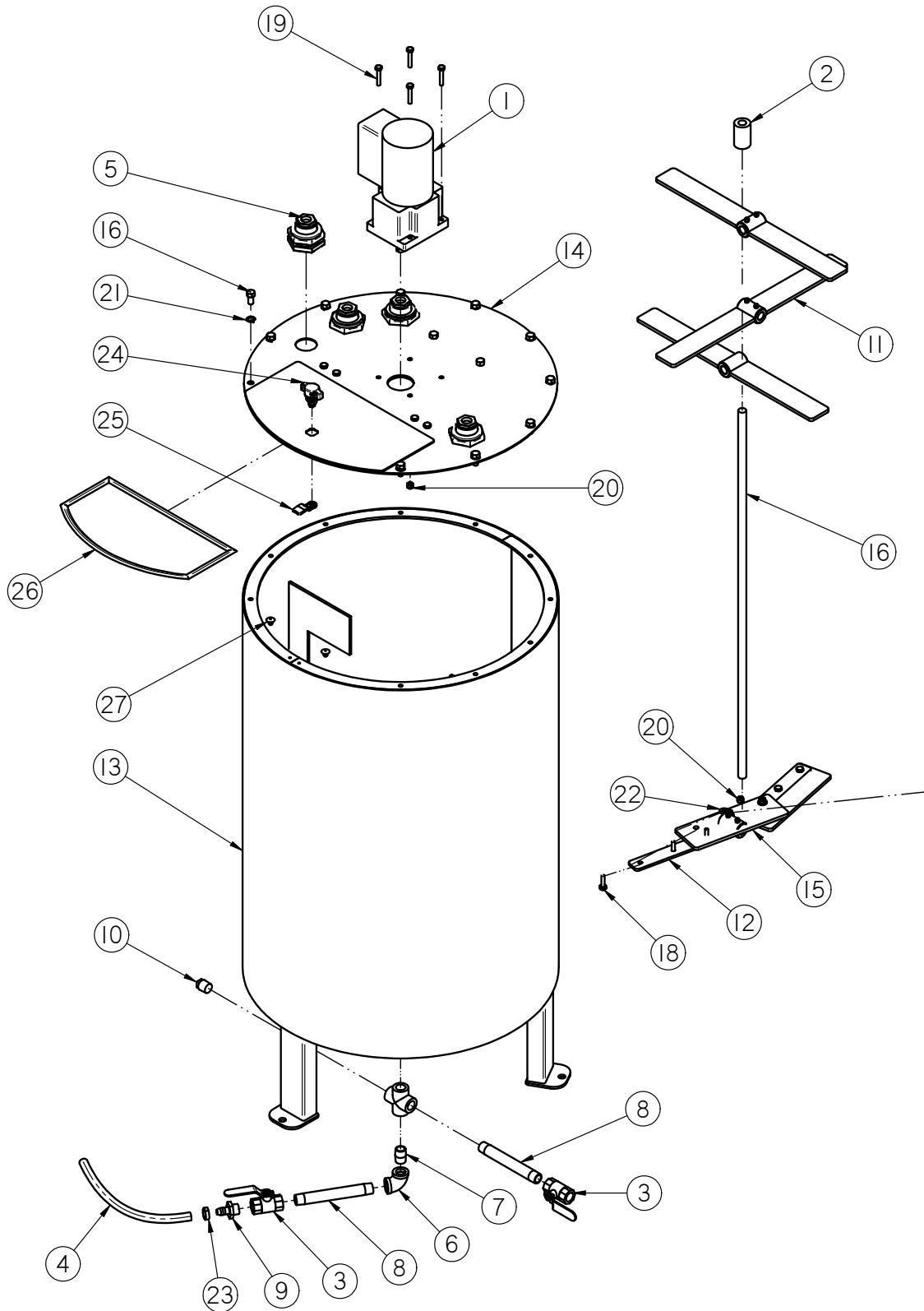
UNIVERSAL PUMP STAND

30 GALLON SS PUMP STAND ASSEMBLY – 2 HEAD (04-03-0191)

Item #	Part #	Description	Qty
36	06-01-0189	BOLT, FLG .375-16 UNC ZP GRADE 5; 1-1/4" LG	2
37	06-01-0199	BOLT U .250-20 X 0.75 X 2.25 ZP	2
38	06-01-0248	BOLT, .3125-18 UNC ZP G5; 4.00" LG	2
39	06-03-0007	NUT,LOCK, .250-20 316 SS NYLON INSERT	4
40	06-03-0013	NUT,LOCK, FLG .250-20 ZP SERRATED	4
41	06-03-0014	NUT LOCK FLG .375-16 ZP GR5	2
42	06-03-0019	NUT LOCK FLG .3125-18 ZP GR5	2
43	06-06-0008	SCRW MACH 10-24 X .250 PHLP PHD ZP	4
44	06-07-0005	CLMP HOSE .219 TO .625 X .313W ZP	4
45	06-07-0006	CLMP HOSE .500 TO .906 X .313W ZP	1
46	06-07-0029	HOSE CLAMP ONE EAR, .716-.827	11
47	07-02-0018	CYL CALB LOOSE TOP 1300ML W/OZ LABEL	1
48	09-01-0171	PLT VLV LABEL PLT BRK RH	1
49	102276	BRKT PUMP MOUNT PUMPSTD	1
50	102A89	TUBE	1
51	103182	PLT PUMP MTR COVER	1
52	10365C	FLOWMETER BRKT	1
53	13-05-0018	HOSE .375 BLK MF L/S-35 20IN	8

UNIVERSAL PUMP STAND

STAINLESS STEEL MIX TANK ASSEMBLY - 60 GALLON (04-03-0195)



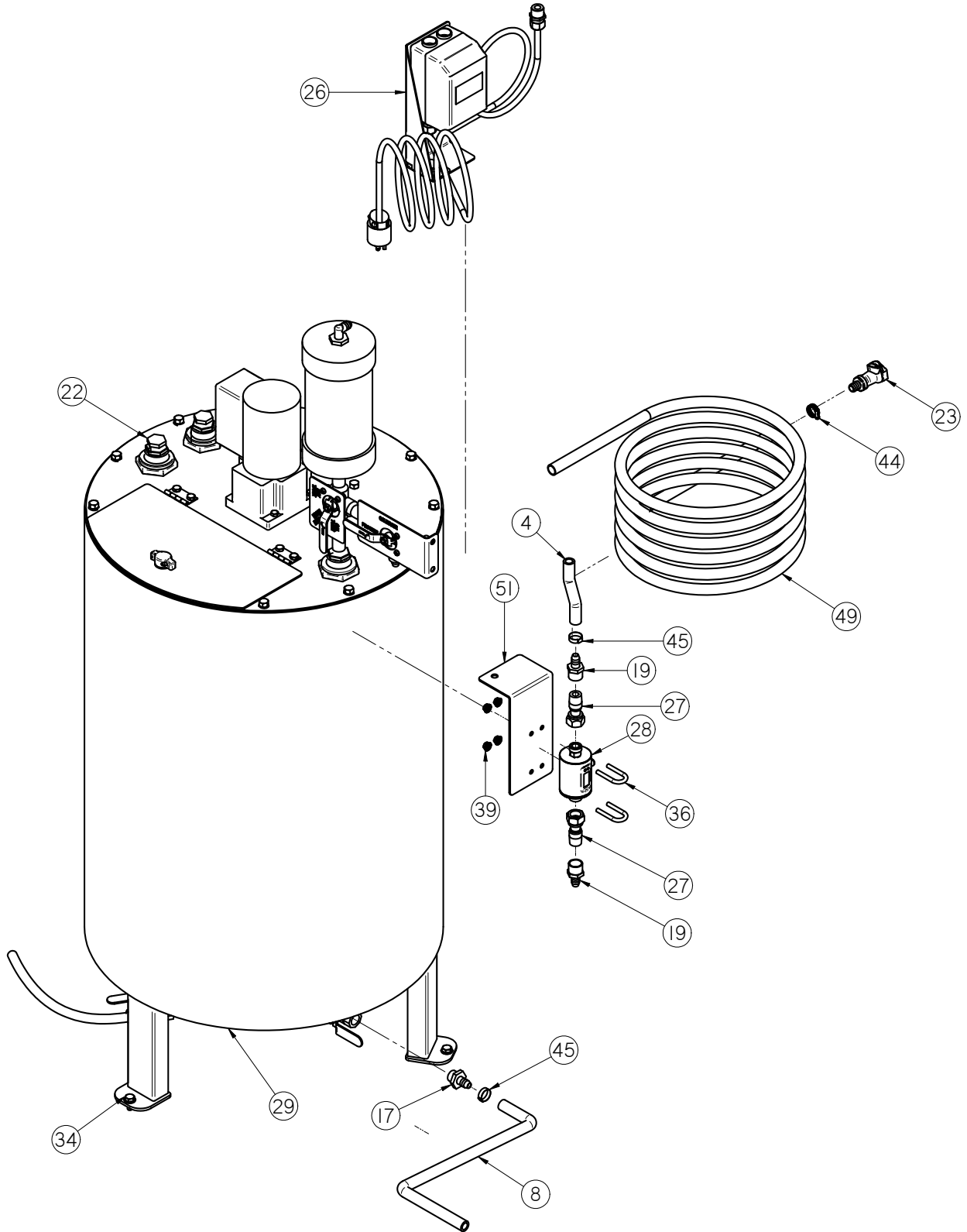
UNIVERSAL PUMP STAND

STAINLESS STEEL MIX TANK ASSEMBLY - 60 GALLON (04-03-0195)

Item #	Part #	Description	Qty
1	01-01-0182	MOTOR .16HP 9075 RPM 1PH	1
2	01-07-0013	CPLG SS .625 SS NO KWY RGD	1
3	02-02-0006	VLV BALL .500 NPT 2WAY BRSS	2
4	02-03-0005	DRAIN HOSE PUMP STAND	1
5	02-05-0028	FTTG .500 NPT DBL THD PPE BULKHEAD	4
6	02-06-0012	ELBOW, .500-14 NPT, 90 DEG. SS	1
7	02-07-0007	FTTG NIP .500 NPT X 1.125 TBE SS	1
8	02-07-0015	FTTG NIP .500 NPT X 6.00 TBE SS	2
9	02-08-0007	FTTG STGHT .500HB X .500NPT ML NYL	1
10	02-14-0001	FTTG PLUG SQHD .500 NPT SS	1
11	05-03-0069	WDMT 50GAL MIDDLE STIR ARM	3
12	05-03-0070	WDMT 50GAL LOWER STIR ARM	1
13	05-03-1078	WDMT BASE 60GAL TANK	1
14	05-03-1463	ASSY SS TANK LID AGT/M	1
15	05-10-0878	PDL 50GAL WIPER	2
16	05-11-0341	ROD 60GAL DRV	1
17	06-01-0042	BOLT .375-16 X .750 SS 18-8	10
18	06-01-0051	BOLT, .250-20 X 1.00 UNC 316 SS	6
19	06-01-0052	BOLT, .250-20 X 1 1/2" UNC ZP G5	4
20	06-03-0007	NUT NYL LOCK .250-20 SS 18-8	10
21	06-04-00XX	WSHR LOCK SPLT .375 SS 18-8	10
22	06-05-0002	WSHR FLAT .250 X .625OD SS 18-8	6
23	06-07-0029	HOSE CLAMP ONE EAR, .716-.827	1
24	06-09-0075	KNOB WING LATCH	1
25	06-09-0076	KNOB WING CAM	1
26	06-10-0001	SEAL RBBR BULBS CHAR .500 X .250	1
27	06-12-0022	RIVET POP .188 X .312 GRIP SS .65HD	2

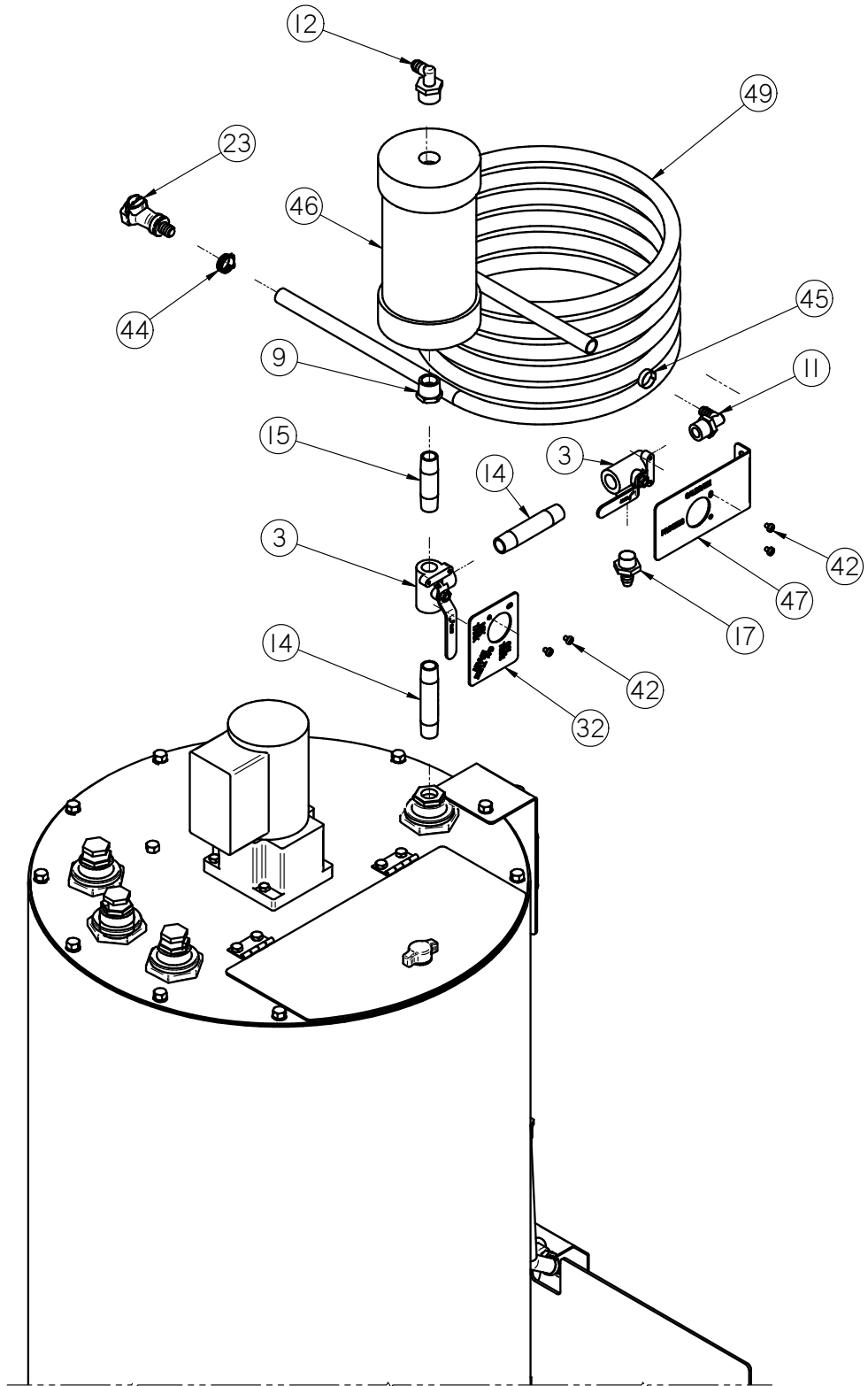
UNIVERSAL PUMP STAND

60 GALLON SS PUMP STAND ASSEMBLY – 1 HEAD (04-03-0192)



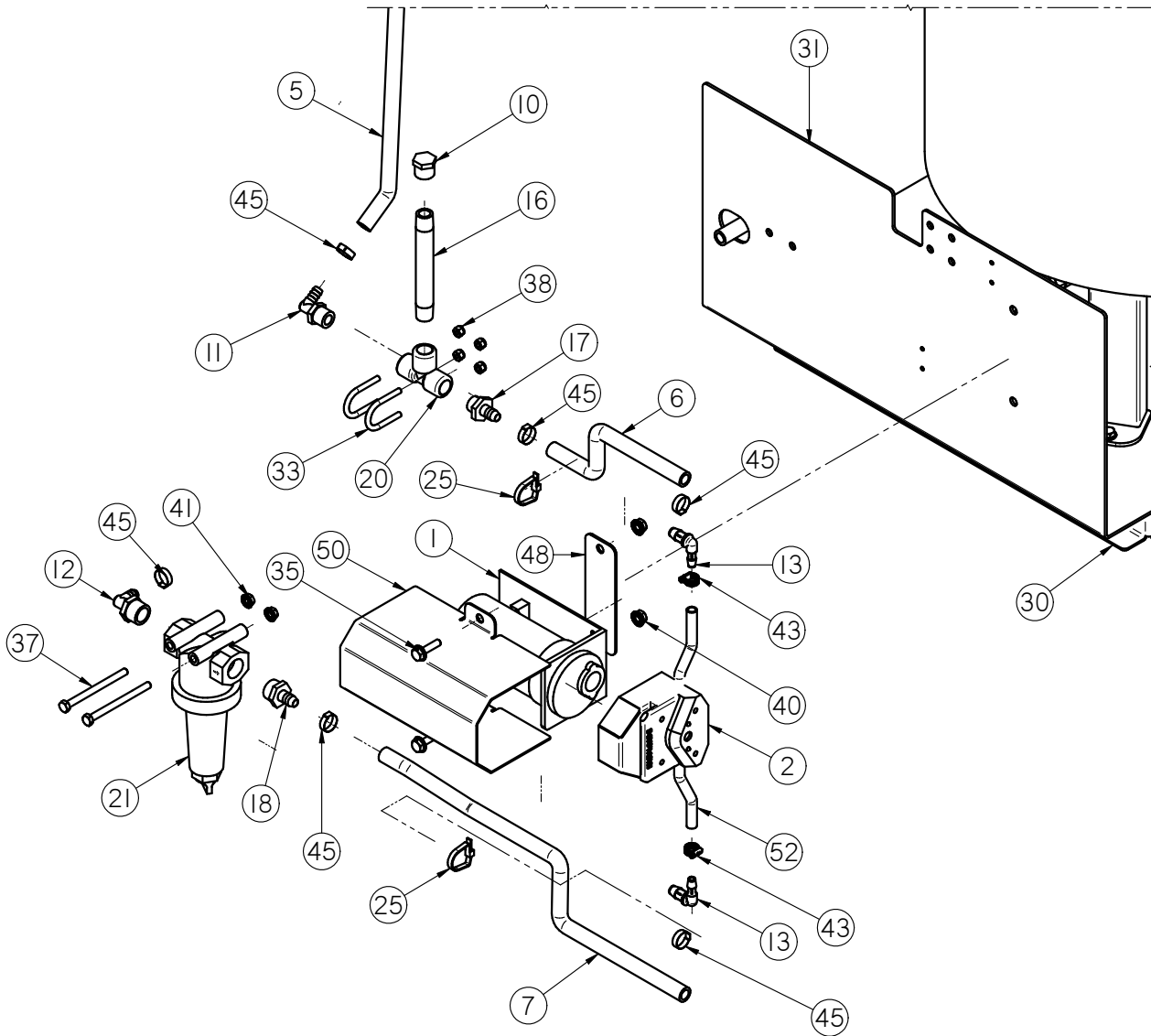
UNIVERSAL PUMP STAND

60 GALLON SS PUMP STAND ASSEMBLY – 1 HEAD (04-03-0192)



UNIVERSAL PUMP STAND

60 GALLON SS PUMP STAND ASSEMBLY – 1 HEAD (04-03-0192)



UNIVERSAL PUMP STAND

60 GALLON SS PUMP STAND ASSEMBLY – 1 HEAD (04-03-0192)

Item #	Part #	Description	Qty
1	01-01-0010	MTR .1HP 6-600RPM 90VDC	1
2	02-01-0005	PUMP HEAD PRST MF LS 115V 600RPM	1
3	02-02-0007	VLV BALL .500 NPT 3WAY BRSS	2
4	02-03-0005	HOSE RNT .500 CLEAR 4.75"	1
5	02-03-0005	HOSE RNT .500 CLEAR 21.5"	1
6	02-03-0005	HOSE RNT .500 CLEAR 9"	1
7	02-03-0005	HOSE RNT .500 CLEAR 18.75"	1
8	02-03-0005	HOSE RNT .500 CLEAR 19"	1
9	02-04-0008	BUSHING .750-14 NPT, REDUCER .500-14 NPT	1
10	02-05-0086	FTTG END CAP .500 NPT BP	1
11	02-06-0010	FTTG 90 DEG .500HB X .500NPT ML NYL	2
12	02-06-0011	FTTG 90 DEG .750HB X .500NPT ML NYL	2
13	02-06-0076	FTTG 90 DEG .500HB X .375HB NYL	2
14	02-07-0013	NIPPLE, .500-14 NPT X 4.0 LG 304SS	2
15	02-07-0019	NIPPLE, .500-14 NPT X 3.0 LG 304SS	1
16	02-07-0060	FTTG NIP .500 NPT X 6.00 TBE PVC	1
17	02-08-0007	FTTG STGHT .500HB X .500NPT ML NYL	3
18	02-08-0008	.750-14 NPT, .500 HOSE BARB, STRAIGHT WP	1
19	02-08-0026	FTTG STGHT .500HB X .500NPT FM NYL	2
20	02-09-0005	FTTG TEE .500 NPT PPE	1
21	02-12-0011	FLTR TEE PPE .750 NPT 16 MESH BANJO	1
22	02-14-0002	1/2-14 NPT,PLUG BP	3
23	02-15-0013	FTTG CPLG .500 HB QCK DISC BODY	1
24	03-08-0316	CONN TRCK RK4.4T-8-RS4.4T/S760/S771	1
25	03-09-0002	CBL TIE 14.00 X .190 UVRST	2
26	03-13-0029	KIT SW MNL MP .07 HP MTR CHEM TNK	1
27	03-18-0020	FTTG ADPTR G1/2 TO 1/2NPT ML IFM	2
28	03-18-0025	FLMT IFM EFECTOR SM6000 AE 1/2 IN	1
29	04-03-0195	60GAL SS TANK WITH NEW AGT MOTOR	1
30	05-03-1072	ASSY SPACER PUMPSTD	1
31	05-03-1465	PLT STAND SS TANK	1
32	05-10-3272	LBL SC CAL TUBE	1
33	06-01-0120	U BOLT 1/4-20 1-1/8 INSIDE 2" LG	2
34	06-01-0124	BOLT, FLG .375-16 UNC ZP GRADE 5; 3/4" LG	7
35	06-01-0189	BOLT, FLG .375-16 UNC ZP GRADE 5; 1-1/4" LG	2

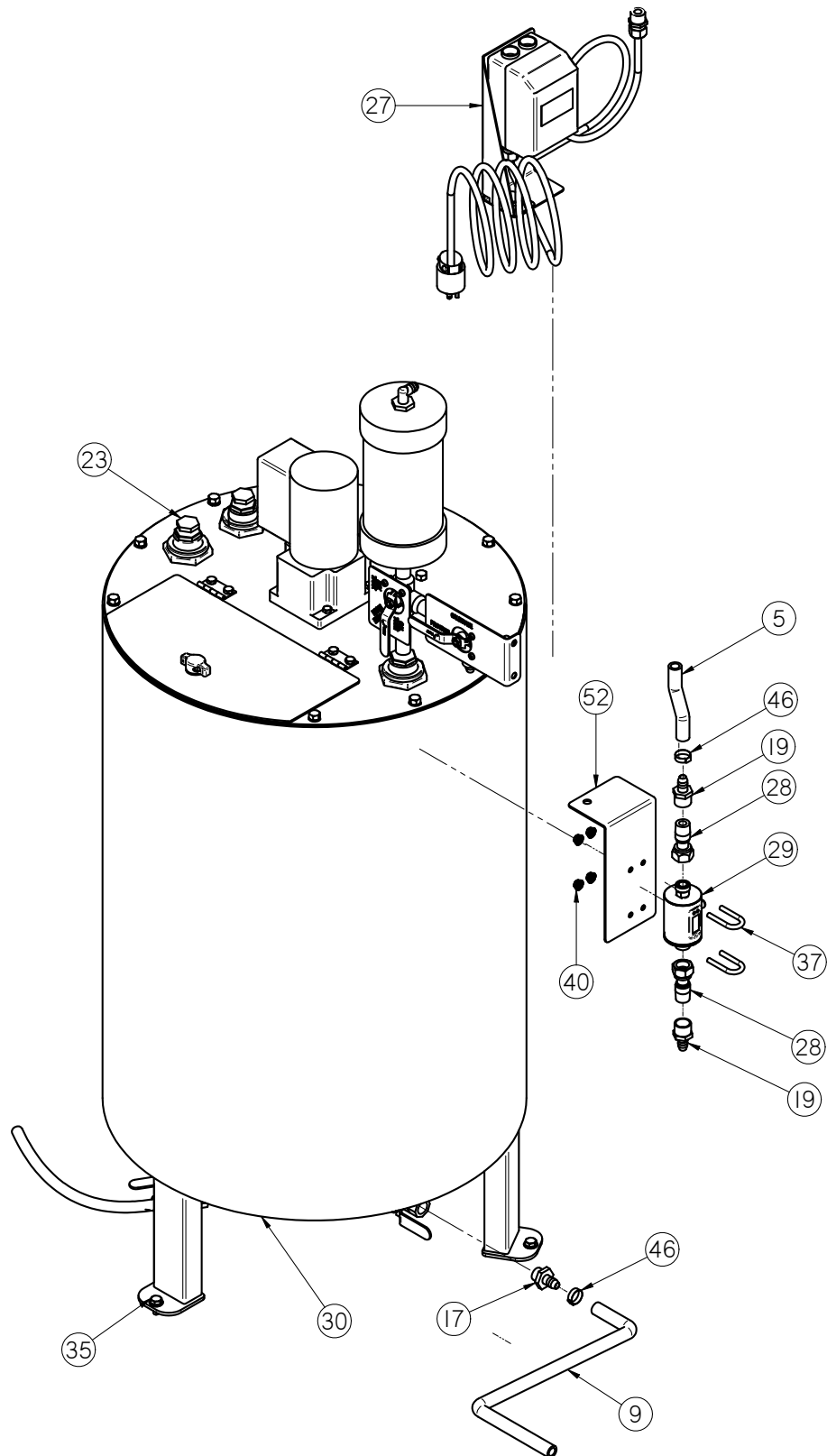
UNIVERSAL PUMP STAND

60 GALLON SS PUMP STAND ASSEMBLY – 1 HEAD (04-03-0192)

Item #	Part #	Description	Qty
36	06-01-0199	BOLT U .250-20 X 0.75 X 2.25 ZP	2
37	06-01-0248	BOLT, .3125-18 UNC ZP G5; 4.00" LG	2
38	06-03-0001	NUT,LOCK, .250-20 ZP G5 NYLON INSERT	4
39	06-03-0013	NUT,LOCK, FLG .250-20 ZP SERRATED	4
40	06-03-0014	NUT LOCK FLG .375-16 ZP GR5	2
41	06-03-0019	NUT LOCK FLG .3125-18 ZP GR5	2
42	06-06-0008	SCRW MACH 10-24 X .250 PHLP PHD ZP	4
43	06-07-0005	CLMP HOSE .219 TO .625 X .313W ZP	2
44	06-07-0006	CLMP HOSE .500 TO .906 X .313W ZP	1
45	06-07-0029	HOSE CLAMP ONE EAR, .716-.827	11
46	07-02-0018	CYL CALB LOOSE TOP 1300ML W/OZ LABEL	1
47	09-01-0171	PLT VLV LABEL PLT BRK RH	1
48	102276	BRKT PUMP MOUNT PUMPSTD	1
49	102A89	TUBE	1
50	103182	PLT PUMP MTR COVER	1
51	10365C	FLOWMETER BRKT	1
52	13-05-0018	HOSE .375 BLK MF L/S-35 20IN	4

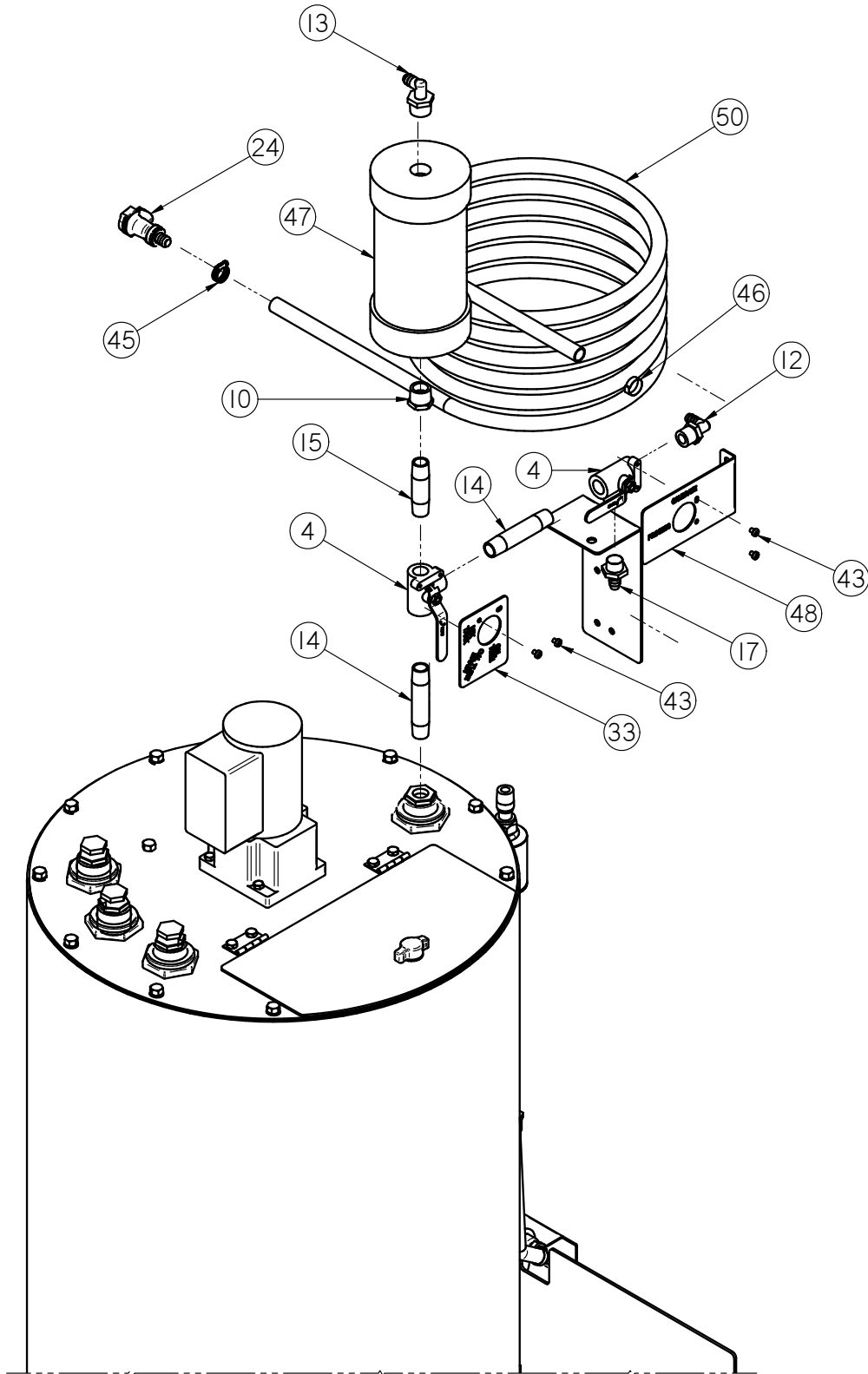
UNIVERSAL PUMP STAND

60 GALLON SS PUMP STAND ASSEMBLY – 2 HEAD (04-03-0193)



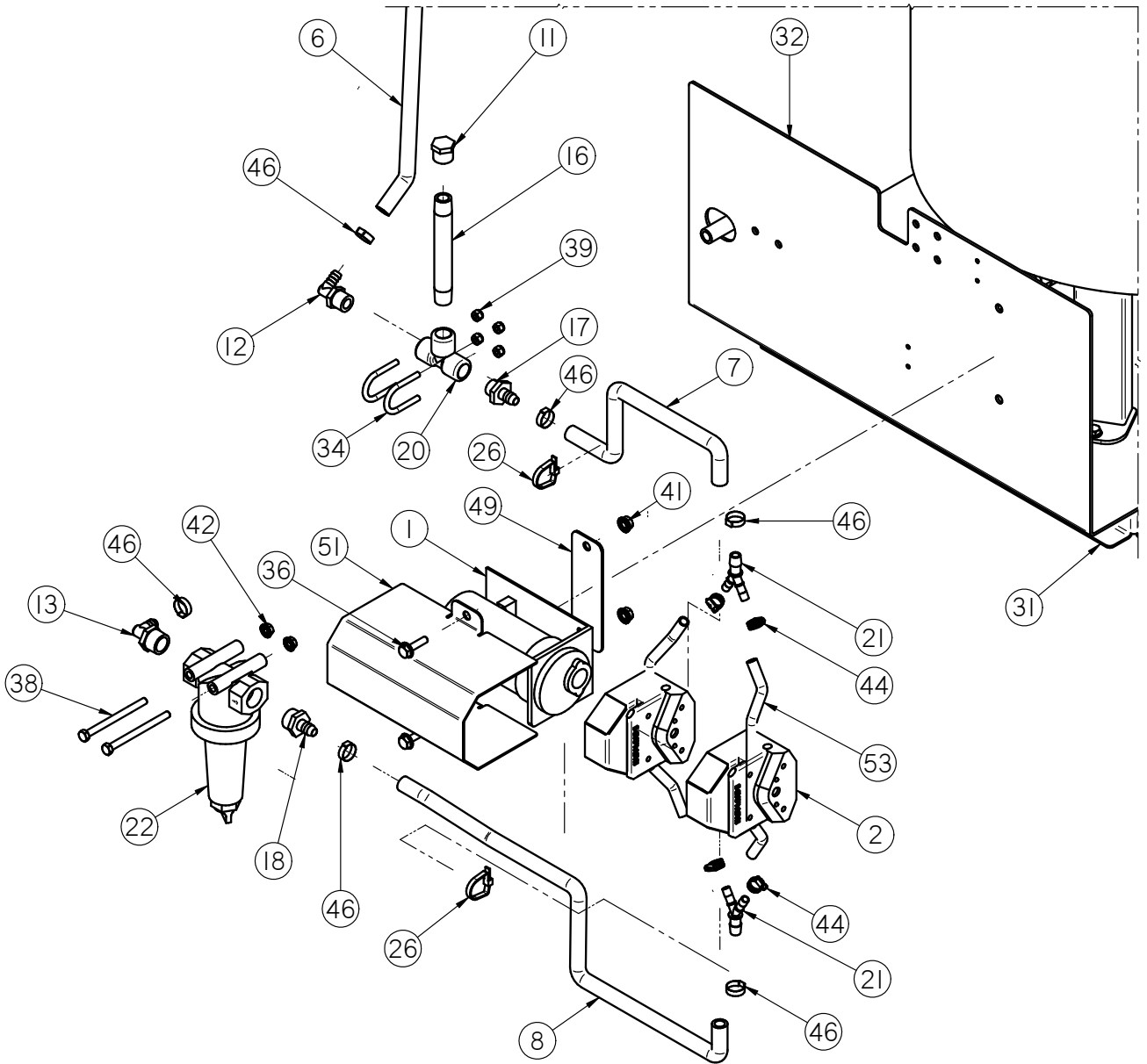
UNIVERSAL PUMP STAND

60 GALLON SS PUMP STAND ASSEMBLY – 2 HEAD (04-03-0193)



UNIVERSAL PUMP STAND

60 GALLON SS PUMP STAND ASSEMBLY – 2 HEAD (04-03-0193)



UNIVERSAL PUMP STAND

60 GALLON SS PUMP STAND ASSEMBLY – 2 HEAD (04-03-0193)

Item #	Part #	Description	Qty
1	01-01-0010	MTR .1HP 6-600RPM 90VDC	1
2	02-01-0005	PUMP HEAD PRST MF LS 115V 600RPM	2
3	02-01-0013	PUMP DUAL MF LS HARDWARE SS	1
4	02-02-0007	VLV BALL .500 NPT 3WAY BRSS	2
5	02-03-0005	HOSE RNT .500 CLEAR 4.75"	1
6	02-03-0005	HOSE RNT .500 CLEAR 21.5"	1
7	02-03-0005	HOSE RNT .500 CLEAR 9"	1
8	02-03-0005	HOSE RNT .500 CLEAR 18.75"	1
9	02-03-0005	HOSE RNT .500 CLEAR 19"	1
10	02-04-0008	BUSHING .750-14 NPT, REDUCER .500-14 NPT	1
11	02-05-0086	FTTG END CAP .500 NPT BP	1
12	02-06-0010	FTTG 90 DEG .500HB X .500NPT ML NYL	2
13	02-06-0011	FTTG 90 DEG .750HB X .500NPT ML NYL	2
14	02-07-0013	NIPPLE, .500-14 NPT X 4.0 LG 304SS	2
15	02-07-0019	NIPPLE, .500-14 NPT X 3.0 LG 304SS	1
16	02-07-0060	FTTG NIP .500 NPT X 6.00 TBE PVC	1
17	02-08-0007	FTTG STGHT .500HB X .500NPT ML NYL	3
18	02-08-0008	.750-14 NPT, .500 HOSE BARB, STRAIGHT WP	1
19	02-08-0026	FTTG STGHT .500HB X .500NPT FM NYL	2
20	02-09-0005	FTTG TEE .500 NPT PPE	1
21	02-10-0004	FTTG WYE .500HB .375HB .375HB	4
22	02-12-0011	FLTR TEE PPE .750 NPT 16 MESH BANJO	1
23	02-14-0002	1/2-14 NPT, PLUG BP	3
24	02-15-0013	FTTG CPLG .500 HB QCK DISC BODY	1
25	03-08-0316	CONN TRCK RK4.4T-8-RS4.4T/S760/S771	1
26	03-09-0002	CBL TIE 14.00 X .190 UVRST	2
27	03-13-0029	KIT SW MNL MP .07 HP MTR CHEM TNK	1
28	03-18-0020	FTTG ADPTR G1/2 TO 1/2NPT ML IFM	2
29	03-18-0025	FLMT IFM EFECTOR SM6000 AE 1/2 IN	1
30	04-03-0195	60GAL SS TANK WITH NEW AGT MOTOR	1
31	05-03-1072	ASSY SPACER PUMPSTD	1
32	05-03-1465	PLT STAND SS TANK	1
33	05-10-3272	LBL SC CAL TUBE	1
34	06-01-0120	U BOLT 1/4-20 1-1/8 INSIDE 2" LG	2
35	06-01-0124	BOLT, FLG .375-16 UNC ZP GRADE 5; 3/4" LG	7

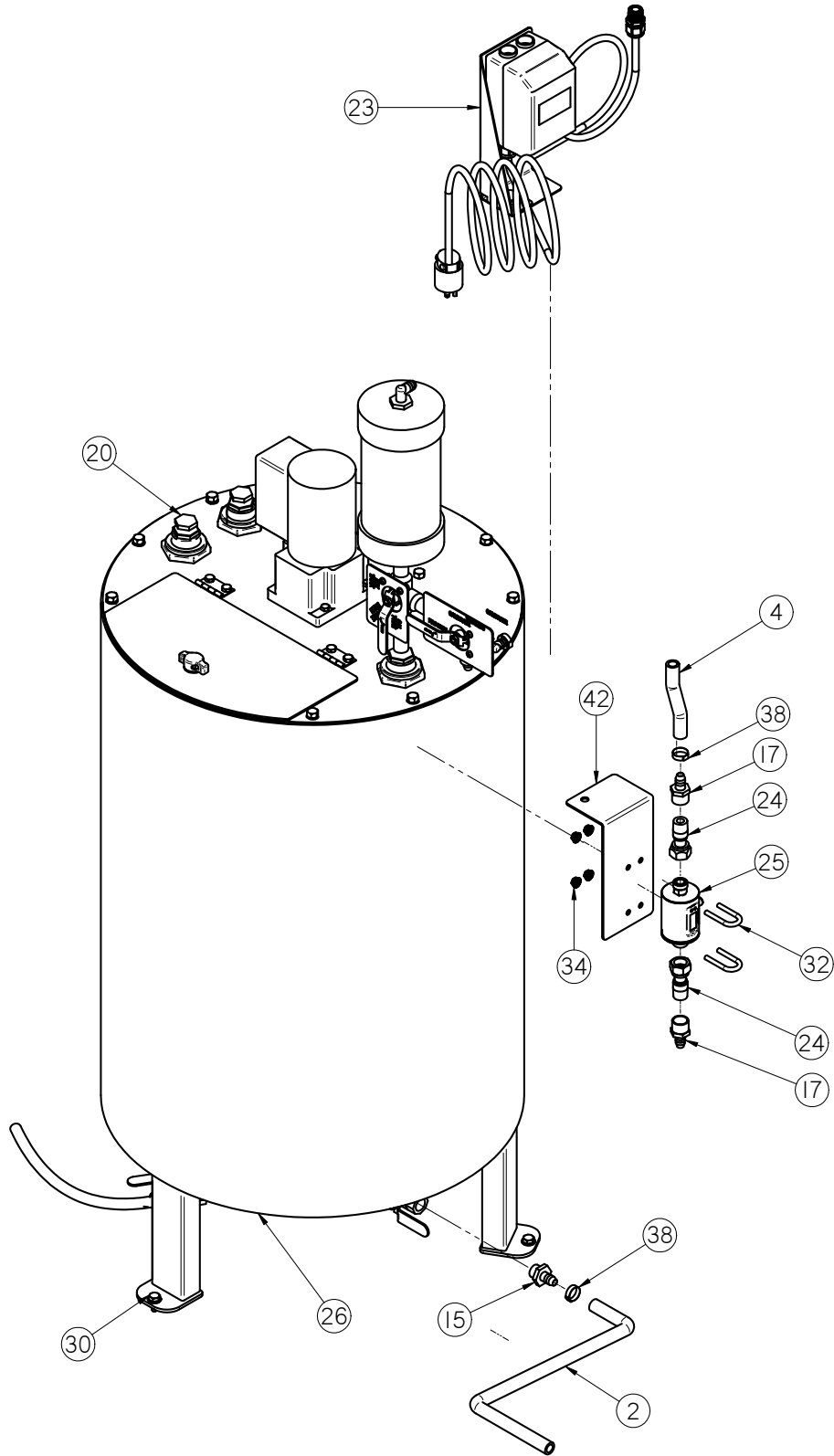
UNIVERSAL PUMP STAND

60 GALLON SS PUMP STAND ASSEMBLY – 2 HEAD (04-03-0193)

Item #	Part #	Description	Qty
36	06-01-0189	BOLT, FLG .375-16 UNC ZP GRADE 5; 1-1/4" LG	2
37	06-01-0199	BOLT U .250-20 X 0.75 X 2.25 ZP	2
38	06-01-0248	BOLT, .3125-18 UNC ZP G5; 4.00" LG	2
39	06-03-0001	NUT,LOCK, .250-20 ZP G5 NYLON INSERT	4
40	06-03-0013	NUT,LOCK, FLG .250-20 ZP SERRATED	4
41	06-03-0014	NUT LOCK FLG .375-16 ZP GR5	2
42	06-03-0019	NUT LOCK FLG .3125-18 ZP GR5	2
43	06-06-0008	SCRW MACH 10-24 X .250 PHLP PHD ZP	4
44	06-07-0005	CLMP HOSE .219 TO .625 X .313W ZP	4
45	06-07-0006	CLMP HOSE .500 TO .906 X .313W ZP	1
46	06-07-0029	HOSE CLAMP ONE EAR, .716-.827	11
47	07-02-0018	CYL CALB LOOSE TOP 1300ML W/OZ LABEL	1
48	09-01-0171	PLT VLV LABEL PLT BRK RH	1
49	102276	BRKT PUMP MOUNT PUMPSTD	1
50	102A89	TUBE	1
51	103182	PLT PUMP MTR COVER	1
52	10365C	FLOWMETER BRKT	1
53	13-05-0018	HOSE .375 BLK MF L/S-35 20IN	8

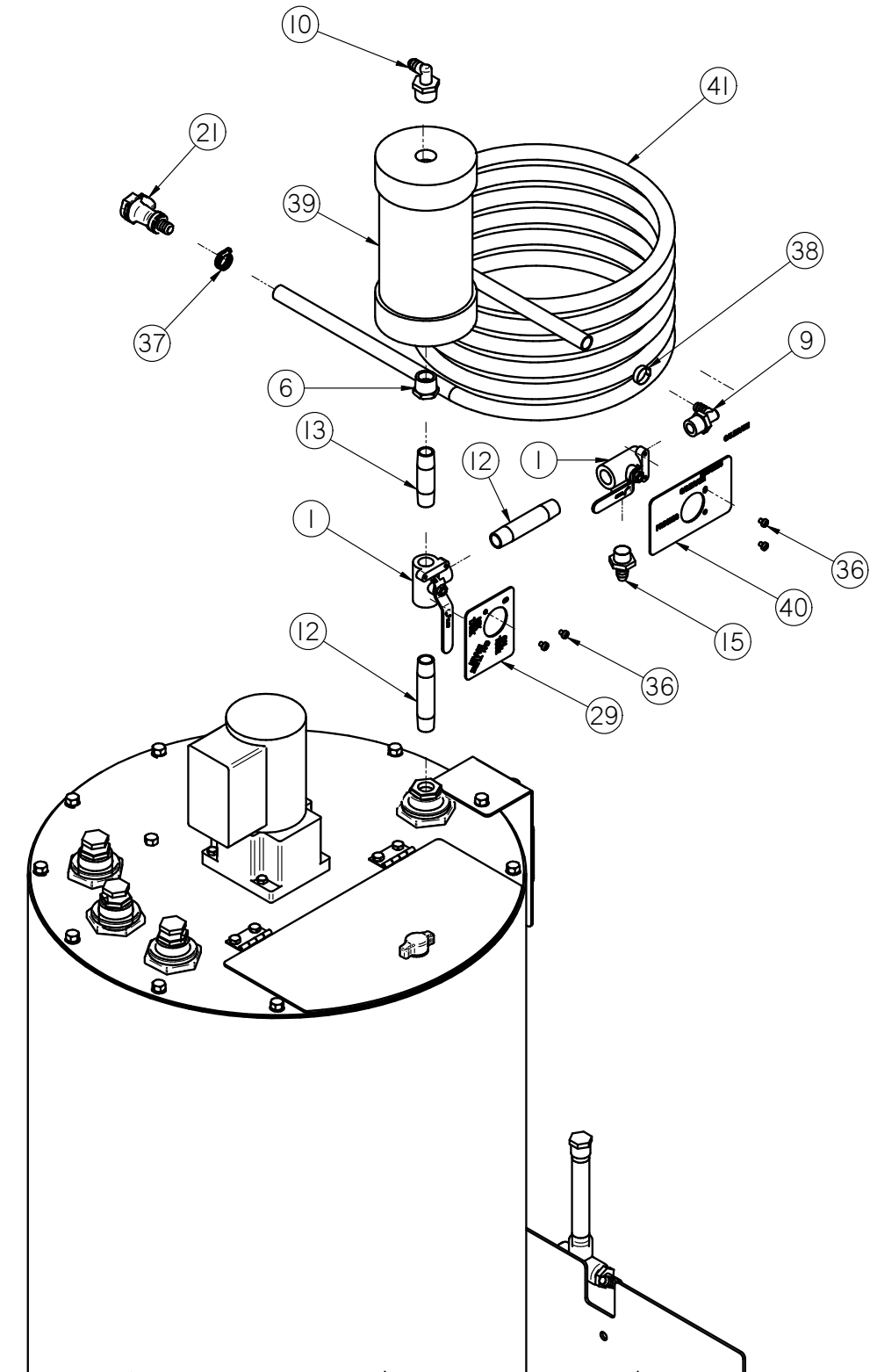
UNIVERSAL PUMP STAND

60 GALLON SS PUMP STAND ASSEMBLY – 3 HEAD (04-03-0203)



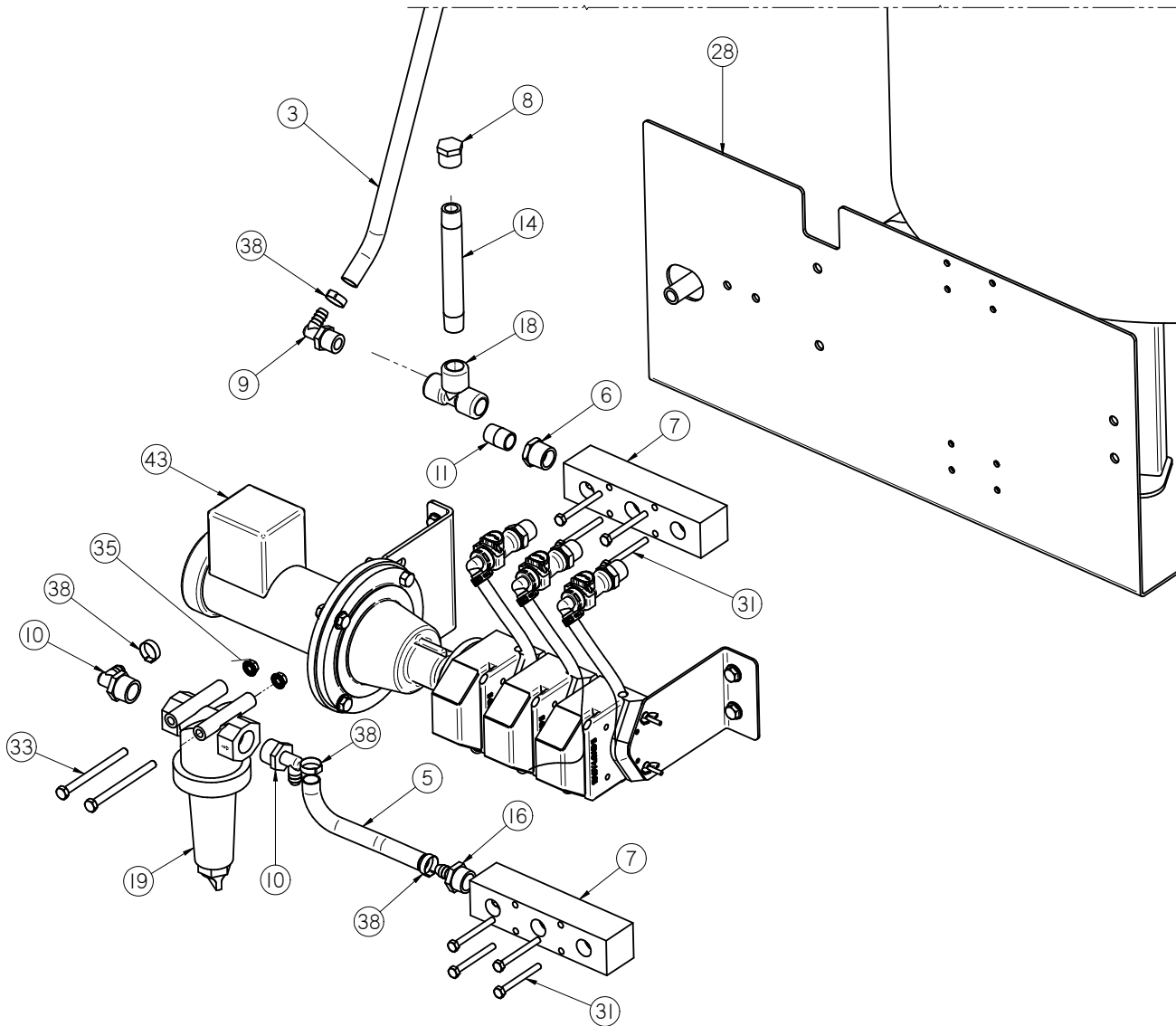
UNIVERSAL PUMP STAND

60 GALLON SS PUMP STAND ASSEMBLY – 3 HEAD (04-03-0203)



UNIVERSAL PUMP STAND

60 GALLON SS PUMP STAND ASSEMBLY – 3 HEAD (04-03-0203)



UNIVERSAL PUMP STAND

60 GALLON SS PUMP STAND ASSEMBLY – 3 HEAD (04-03-0203)

Item #	Part #	Description	Qty
1	02-02-0007	VLV BALL .500 NPT 3WAY BRSS	2
2	02-03-0005	HOSE RNT .500 CLEAR 7"	1
3	02-03-0005	HOSE RNT .500 CLEAR 21"	1
4	02-03-0005	HOSE RNT .500 CLEAR 4.75"	1
5	02-03-0005	HOSE RNT .500 CLEAR 19"	1
6	02-04-0008	BUSHING .750-14 NPT, REDUCER .500-14 NPT	2
7	02-05-0043	FTTG MANIFOLD UHMW 1 IN 3 OUT	2
8	02-05-0086	FTTG END CAP .500 NPT BP	1
9	02-06-0010	FTTG 90 DEG .500HB X .500NPT ML NYL	2
10	02-06-0011	FTTG 90 DEG .750HB X .500NPT ML NYL	3
11	02-07-0007	FTTG NIP .500 NPT X 1.125 TBE SS	1
12	02-07-0013	NIPPLE, .500-14 NPT X 4.0 LG 304SS	2
13	02-07-0019	NIPPLE, .500-14 NPT X 3.0 LG 304SS	1
14	02-07-0060	FTTG NIP .500 NPT X 6.00 TBE PVC	1
15	02-08-0007	FTTG STGHT .500HB X .500NPT ML NYL	2
16	02-08-0008	.750-14 NPT, .500 HOSE BARB, STRAIGHT WP	1
17	02-08-0026	FTTG STGHT .500HB X .500NPT FM NYL	2
18	02-09-0005	FTTG TEE .500 NPT PPE	1
19	02-12-0011	FLTR TEE PPE .750 NPT 16 MESH BANJO	1
20	02-14-0002	1/2-14 NPT,PLUG BP	3
21	02-15-0013	FTTG CPLG .500 HB QCK DISC BODY	1
22	03-08-0316	CONN TRCK RK4.4T-8-RS4.4T/S760/S771	1
23	03-13-0029	KIT SW MNL MP .07 HP MTR CHEM TNK	1
24	03-18-0020	FTTG ADPTR G1/2 TO 1/2NPT ML IFM	2
25	03-18-0025	FLMT IFM EFECTOR SM6000 AE 1/2 IN	1
26	04-03-0195	60GAL SS TANK WITH NEW AGT MOTOR	1
27	05-03-1072	ASSY SPACER PUMPSTD	1
28	05-03-1488	PLT STAND SS TANK 3 HEAD	1
29	05-10-3272	LBL SC CAL TUBE	1
30	06-01-0124	BOLT, FLG .375-16 UNC ZP GRADE 5; 3/4" LG	7
31	06-01-0192	BOLT .250-20 X 2.50 ZP GR5	8
32	06-01-0199	BOLT U .250-20 X 0.75 X 2.25 ZP	2
33	06-01-0248	BOLT, .3125-18 UNC ZP G5; 4.00" LG	2
34	06-03-0013	NUT,LOCK, FLG .250-20 ZP SERRATED	12
35	06-03-0019	NUT LOCK FLG .3125-18 ZP GR5	2

UNIVERSAL PUMP STAND

60 GALLON SS PUMP STAND ASSEMBLY – 3 HEAD (04-03-0203)

Item #	Part #	Description	Qty
36	06-06-0008	SCRW MACH 10-24 X .250 PHLP PHD ZP	4
37	06-07-0006	CLMP HOSE .500 TO .906 X .313W ZP	1
38	06-07-0029	HOSE CLAMP ONE EAR, .716-.827	9
39	07-02-0018	CYL CALB LOOSE TOP 1300ML W/OZ LABEL	1
40	09-01-0171	PLT VLV LABEL PLT BRK RH	1
41	102A89	TUBE	1
42	10365C	FLOWMETER BRKT	1
43	13-04-0103	KIT LS HEAD X3 ASSY PUMPSTD	1

USC LIMITED WARRANTY

SECTION H

USC, LLC, (Manufacturer) warrants its seed treating equipment as follows:

1. **Limited Warranty:** Manufacturer warrants that the Products sold hereunder will be free from defects in material and workmanship for a period of 18 months from date of shipment. If the Products do not conform to this Limited Warranty during the warranty period, Buyer shall notify Manufacturer in writing of the claimed defects and demonstrate to Manufacturer satisfaction that said defects are covered by this Limited Warranty. If the defects are properly reported to Manufacturer within the warranty period, and the defects are of such type and nature as to be covered by this warranty, Manufacturer shall, at its expense, furnish replacement Products or, at Manufacturer's option, replacement parts for the defective products. Shipping and installation of the replacement Products or replacement parts shall be at the Buyer's expense.

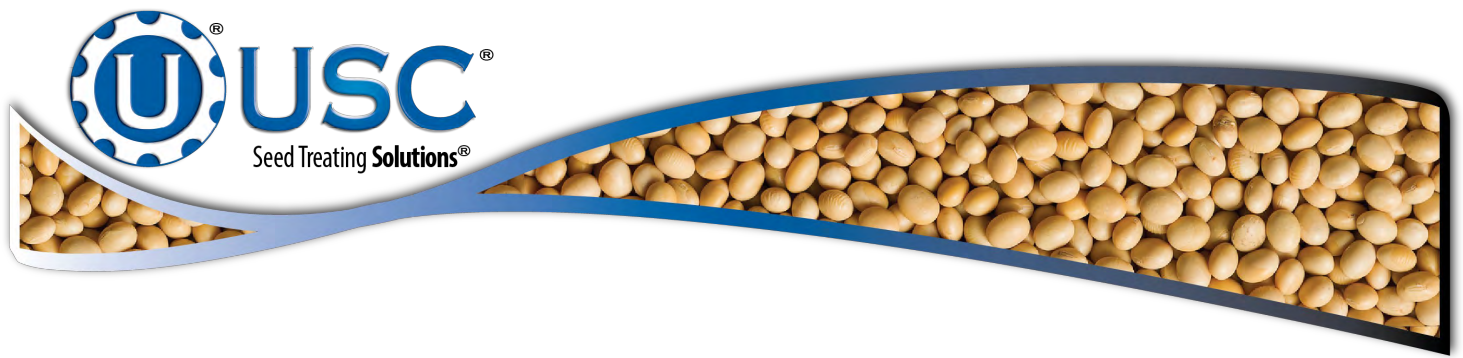
2. **Other Limits:** THE FOREGOING IS IN LIEU OF ALL OTHER WARRANTIES, EXPRESSED OR IMPLIED, INCLUDING BUT NOT LIMITED TO THE IMPLIED WARRANTIES OF MERCHANTABILITY AND FITNESS FOR A PARTICULAR PURPOSE. Manufacturer does not warrant against damages or defects arising from improper installation (where installation is by persons other than Manufacturer), against defects in products or components not manufactured by Manufacturer, or against damages resulting from such non-Manufacturer made products or components. Manufacturer passes on to the Buyer the warranty it received (if any) from the maker of such non-Manufacturer made products or components. This warranty also does not apply to Products upon which repairs and/or modifications have been effected or attempted by persons other than pursuant to written authorization by Manufacturer. Manufacturer does not warrant against casualties or damages resulting from misuse and/or abuse of product(s), acts of nature, effects of weather, including effects of weather due to outside storage, accidents, or damages incurred during transportation by common carrier.

3. **Exclusive Obligation:** THIS WARRANTY IS EXCLUSIVE. The sole and exclusive obligation of Manufacturer shall be to repair or replace the defective Products in the manner and for the period provided above. Manufacturer shall not have any other obligation with respect to the Products or any part thereof, whether based on contract, tort, strict liability or otherwise. Under no circumstances, whether based on this Limited Warranty or otherwise, shall Manufacturer be liable for incidental, special, or consequential damages.

4. **Other Statements:** Manufacturer's employees or representatives' oral or other written statements do not constitute warranties, shall not be relied upon by Buyer, and are not a part of the contract for sale or this limited warranty.

5. **Return Policy:** Approval is required prior to returning goods to USC, LLC. A restocking fee will apply.

6. **Entire Obligation:** This Limited Warranty states the entire obligation of Manufacturer with respect to the Products. If any part of this Limited Warranty is determined to be void or illegal, the remainder shall remain in full force and effect.



USC, LLC

2320 124th road

Sabetha, KS 66534

PHONE: (785) 431-7900

FAX: (785) 431-7950

EMAIL: sales-team@uscllc.com

WEB: www.uscllc.com

