

3200 SERIES

The Remco 3200 Series has proven itself as an industry leader in spraying efficiency. This reliable pump features a compact and low profile design: making the 3200 Series a versatile pump that can perform in all situations.



PRESSURE RANGE: 45 - 100 PSI

OPEN FLOW RANGE: 3.2 - 4.5 GPM

PUMP OPTIONS

- FLUID PORTS: 3/4" QUICK ATTACH
- VOLTAGE: 12 / 24 VDC OR 115 VAC
- MATERIALS: VITON / SANTOPRENE / NYLON / POLY
- CONTROLS: DEMAND / BYPASS
- MOTORS: HEAVY DUTY / SEALED / LOW OR HIGH SPEED
- PACKAGING: BULK / SINGLE BOX / RETAIL AVAILABLE
- MANY OTHER OPTIONS AVAILABLE

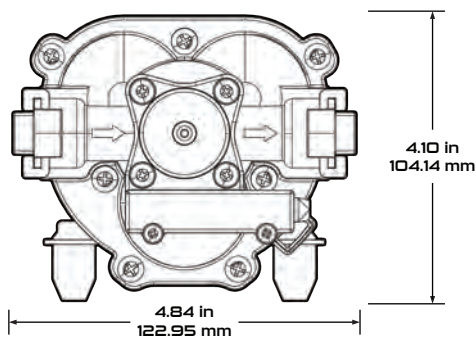
STANDARD FEATURES

- PROFESSIONAL GRADE QUALITY
- ULTRA-EFFICIENT DESIGN
- 100% FACTORY TESTED PERFORMANCE
- COMPLETELY SEALED MOTOR
- LOW HEAT AND POWER CONSUMPTION
- SUPERIOR VERTICAL PRIMING

TYPICAL APPLICATIONS

- AUTOMOTIVE FLUID EXCHANGE
- BULK FLUID TRANSFER
- ROAD MAINTENANCE
- AG AND INDUSTRIAL CHEMICAL SPRAYING
- DUST SUPPRESSION

PUMP DIMENSIONS

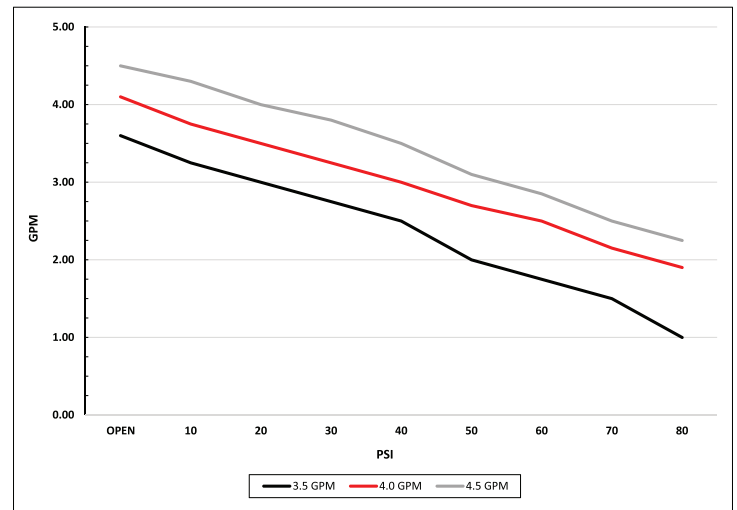


TECHNICAL INFORMATION

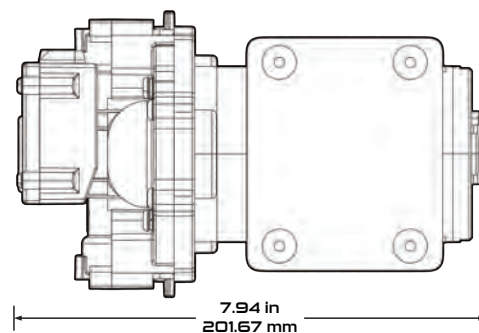
- 14 AWG - 6" OR 12" 2-PIN MOLD / CUSTOM CONNECTION
- 10FT (3.1M) PRIMING CAPABILITY
- INTERMITTENT DUTY CYCLE
- DRY RUN CAPABILITY
- 140°F (60°C) MAX LIQUID TEMPERATURE
- 180°F (82°C) MAX MOTOR TEMPERATURE

PUMP PERFORMANCE

(PERFORMANCE MAY VARY)



(DIMENSIONS MAY VARY BY MODEL)



PUMP CONFIGURATIONS

(ADDITIONAL CONFIGURATIONS AVAILABLE)

STANDARD							
Item Number	Flow	Controls	Pressure	Valves	Diaphragm	Ports	Voltage
3214-1E1-82B	3.5 GPM (13.25 LPM)	DEMAND	60 PSI (4.1 BAR)	VITON	SANTOPRENE	3/4" QUICK ATTACH	12 VDC
3214-2E1-63B	3.5 GPM (13.25 LPM)	BYPASS	60 PSI (4.1 BAR)	VITON	SANTOPRENE	3/4" QUICK ATTACH	12 VDC
3215-1E1-82B	4.0 GPM (15.14 LPM)	DEMAND	60 PSI (4.1 BAR)	VITON	SANTOPRENE	3/4" QUICK ATTACH	12 VDC
3215-2E1-63B	4.0 GPM (15.14 LPM)	BYPASS	60 PSI (4.1 BAR)	VITON	SANTOPRENE	3/4" QUICK ATTACH	12 VDC
3216-1E1-82B	4.5 GPM (17.03 LPM)	DEMAND	60 PSI (4.1 BAR)	VITON	SANTOPRENE	3/4" QUICK ATTACH	12 VDC
3216-2E1-63B	4.5 GPM (17.03 LPM)	BYPASS	60 PSI (4.1 BAR)	VITON	SANTOPRENE	3/4" QUICK ATTACH	12 VDC

24 VDC							
Item Number	Flow	Controls	Pressure	Valves	Diaphragm	Ports	Voltage
3214-1E1-731B	3.5 GPM (13.25 LPM)	DEMAND	60 PSI (4.1 BAR)	VITON	SANTOPRENE	3/4" QUICK ATTACH	24 VDC
3215-1E1-731B	4.0 GPM (15.14 LPM)	DEMAND	60 PSI (4.1 BAR)	VITON	SANTOPRENE	3/4" QUICK ATTACH	24 VDC
3216-1E1-731B	4.5 GPM (17.03 LPM)	DEMAND	60 PSI (4.1 BAR)	VITON	SANTOPRENE	3/4" QUICK ATTACH	24 VDC

110/120 VAC							
Item Number	Flow	Controls	Pressure	Valves	Diaphragm	Ports	Voltage
3214-1E1-52C	3.5 GPM (13.25 LPM)	DEMAND	60 PSI (4.1 BAR)	VITON	SANTOPRENE	3/4" QUICK ATTACH	110/120 VAC
3215-1E1-52C	4.0 GPM (15.14 LPM)	DEMAND	60 PSI (4.1 BAR)	VITON	SANTOPRENE	3/4" QUICK ATTACH	110/120 VAC
3216-1E1-52C	4.5 GPM (17.03 LPM)	DEMAND	60 PSI (4.1 BAR)	VITON	SANTOPRENE	3/4" QUICK ATTACH	110/120 VAC

RETAIL OPTIONS							
Item Number	Flow	Controls	Pressure	Valves	Diaphragm	Ports	Voltage
90-3214-1E1-82B-SB	3.5 GPM (13.25 LPM)	DEMAND	60 PSI (4.1 BAR)	VITON	SANTOPRENE	3/4" QUICK ATTACH	12 VDC
90-3214-1C4-82L-SB	3.2 GPM (12.11 LPM)	DEMAND	45 PSI (3.2 BAR)	EPDM	SANTOPRENE	3/4" QUICK ATTACH	12 VDC

CONTACT US FOR OUR ENTIRE LIST OF PUMP CONFIGURATIONS

RECOMMENDED PARTS & ACCESSORIES

(ADDITIONAL PARTS & ACCESSORIES AVAILABLE)



3202-1F77



901-RC01-R



901-009-R



MF-34F34M



FQ5E-12



FQ5S-12

