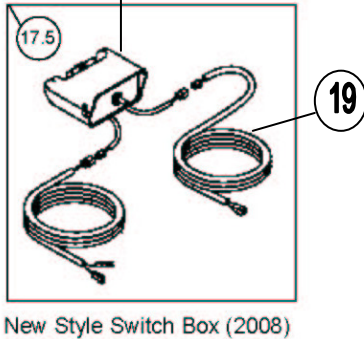
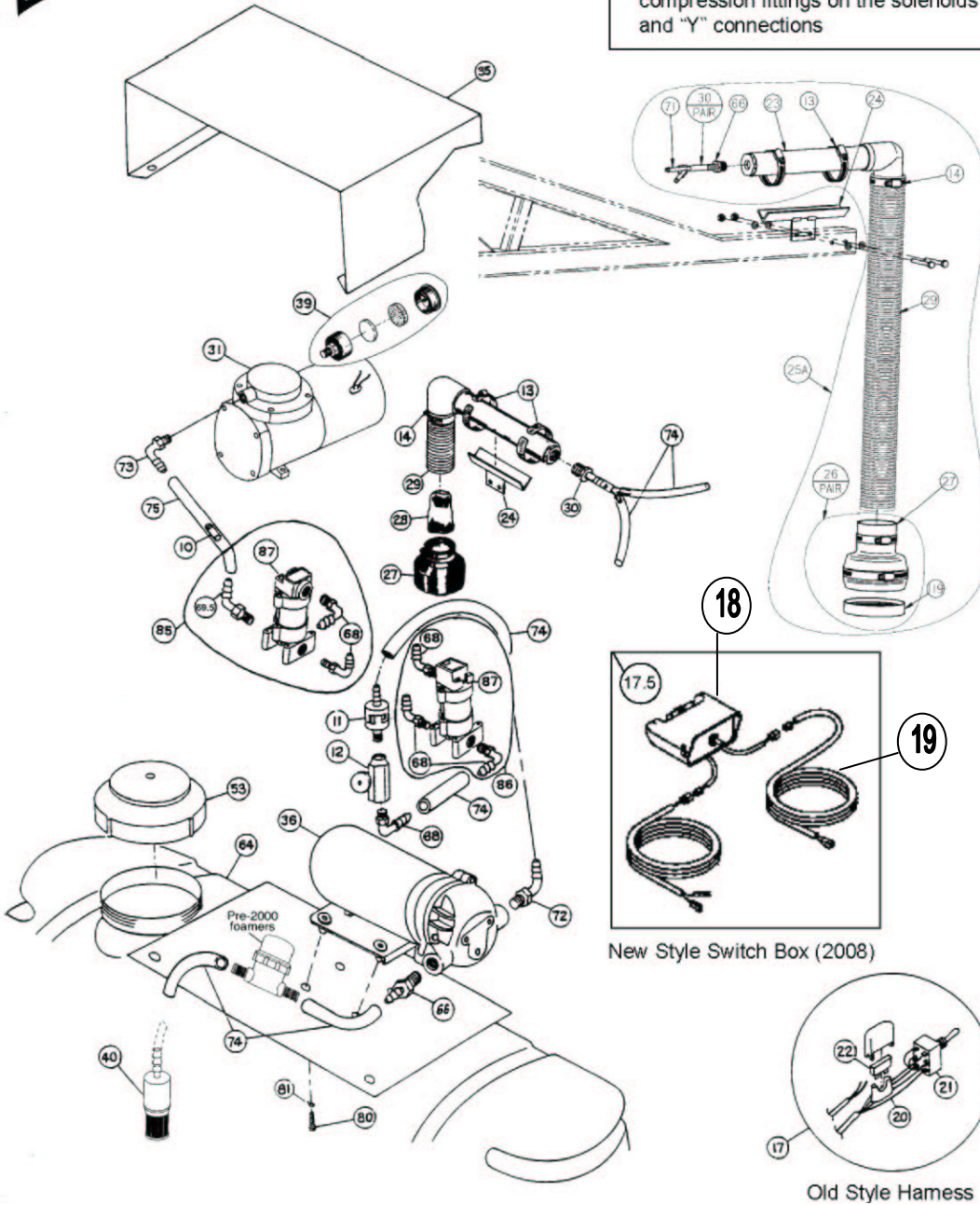


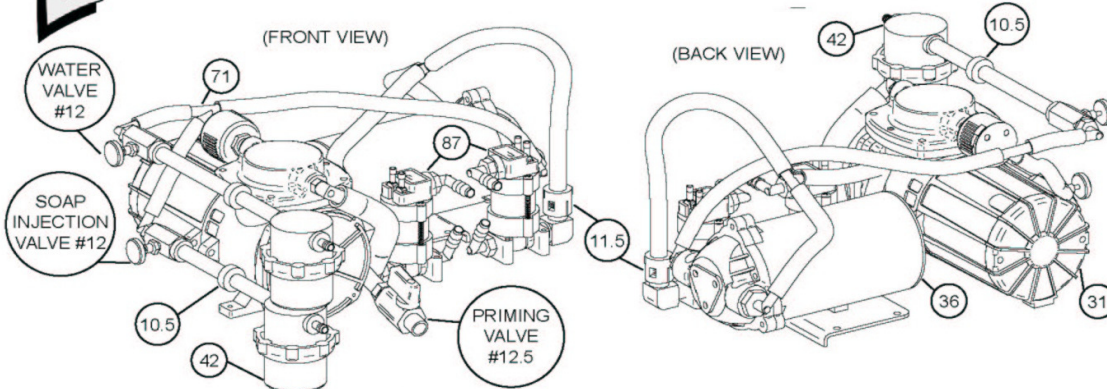
LANDMARK™ PARTS SCHEMATICS

Note: Some Foam Markers use compression fittings on the solenoids and "Y" connections

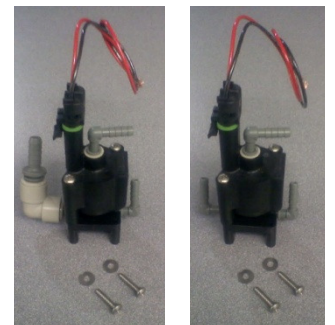


Key#	Part #	Part Description
10	LM0004	Air Check Valve
10.5	HB3817	Liquid Check Valve (Inj)
11	LM0020	Liquid Check ¼ (LM)
11.5	LM1414	Liquid Check (Inj)
12	LM1818	Brass Needle Valve
12.5	FM6319	Priming Valve (Inj)
13	CL0024	#24 Stainless Hose Clamp
14	CL0032	#32 Stainless Hose Clamp
17	EL8003	Harness for LM (no box)
17.5	EL8103	Harness for LM (w/ box)
18	EL8104	Switch box for EL8103
19	EL8105	Power lead for EL8103
20	EL8004	Blade Fuse Holder (25 amp)
21	EL8039	3-way DPDT Switch
22	EL8024	Blade Fuse (25 amp)
23	FM100A	Foam Chamber only
24	FM1007	FM Chamber Bracket
25A	FM1001	Foam Chamber complete
26	FM900F	Pair of Boots/Screens (Yel)
27	FM900Y	Yellow boot only
28	FM900S	Soc (old style)
29	FM9023	24" Drop Nozzle
30	HY14NP	Flex Y Assembly (pair)
31	FM1010	Thomas Air Compressor
35	LM7000	Stainless Cover
36	LM1011	Shurflo Pump w/bypass
39	TH1066	Air Intake Filter Assembly
40	FM1032	In-Tank Liquid Filter
42	FM0102	Liquid Filter (Bowl)
53	LM110A	Lid for Poly Tank
64	Depends on Tank	Poly Tank (options 6,14, and 25 gallon)
66	HB3814	3/8" x 1/4" st.barb (flex Y)
68	HE1414	1/4" MPT x 1/4" HB EL
69.5	HE1438	1/4" MPT x 3/8" HB EL
71	HY1414	Hose barb Y fitting (1/4")
72	HE3814	3/8" MPT x 1/4" HB EL
73	HE1838	1/8" MPT x 3/8" HB EL
74	VL0140	1/4" ID vinyl tubing
75	VL0038	3/8" ID reinforced tubing
85	LM3010	Air Solenoid Assembly
86	LM5010	Liquid Solenoid Assembly
87	FM3033	3-way Smucker Solenoid
119	FM9002	Screen Assembly

LANDMARK™ INJECTION FOAM MARKER PARTS SCHEMATICS



Replacement solenoids for all Landmark series



#85 Air Solenoid Assembly

#86 Liquid Solenoid Assembly