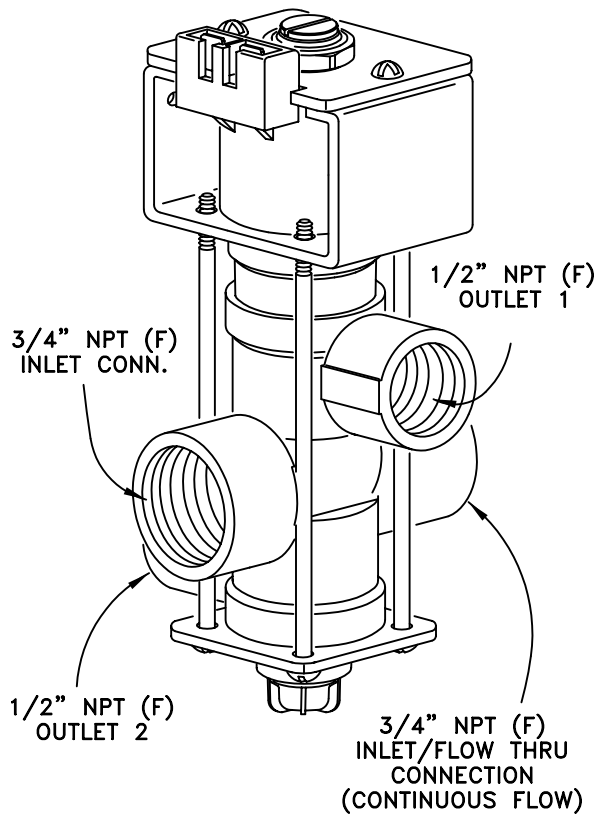


THE AA144A-1-3 THREE-WAY SOLENOID OPERATED DIRECTOVALVE WAS SPECIFICALLY DESIGNED TO PROVIDE BY-PASS CONTROL IN AGRICULTURAL SPRAYING APPLICATIONS. WHEN USED WITH No. 23520-PP THROTTLING VALVE OR A METERING 4916- ORIFICE PLATE IN THE BY-PASS LINE, IT CAN PROVIDE FOR A CONSTANT PRESSURE SPRAY SYSTEM.

PATENT No. 3,985,333



FEATURES

- OPERATING PRESSURE RANGE 0 TO 65 PSI (4.5 bar).
- LARGE FLOW CAPACITIES... ONLY 5 PSI (0.35 bar) PRESSURE DROP WITH 8 GPM (30 l/min) FLOW.
- COIL CAN BE CHANGED WITHOUT REMOVING VALVE FROM LINE.
- NYLON ENCAPSULATED 12 VDC COIL WITH 1/4" QUICK CONNECT TERMINALS... POWER REQUIREMENT 2.5 AMP.
- GOOD CORROSION RESISTANCE.
- GLASS-FILLED POLYPROPYLENE (BLACK) VALVE BODY
- INTERNAL METAL PARTS ARE STAINLESS STEEL... OTHER METAL PARTS ARE EPOXY COATED OR ELECTROLESS NICKEL PLATED.
- CHEMICAL RESISTANT EPDM RUBBER SEAT WASHER AND DIAPHRAGMS.

AA144A-1-3 DIRECTOVALVE ACTION

WITH ELECTRICAL POWER OFF, FLOW TO OUTLET 1 IS STOPPED AND LIQUID FLOWS TO OUTLET 2.

WITH ELECTRICAL POWER ON, FLOW TO OUTLET 2 IS STOPPED AND LIQUID FLOWS TO OUTLET 1.

DESCRIPTION:

**AA144A-1-3 THREE-WAY
SOLENOID OPERATED
DIRECTOVALVE® BY-PASS VALVE**



Spraying Systems Co.®

**Spray Nozzles and Accessories
P.O. Box 7900 - Wheaton, Il. 60189-7900**

Rev. No. 1

Ref.

Data Sheet No.

144A-1-3

SHEET OF