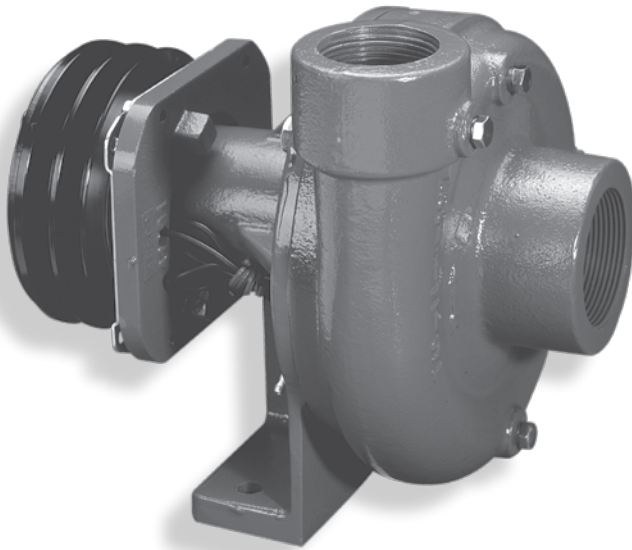




Magnetic Clutch Driven Centrifugal Pump

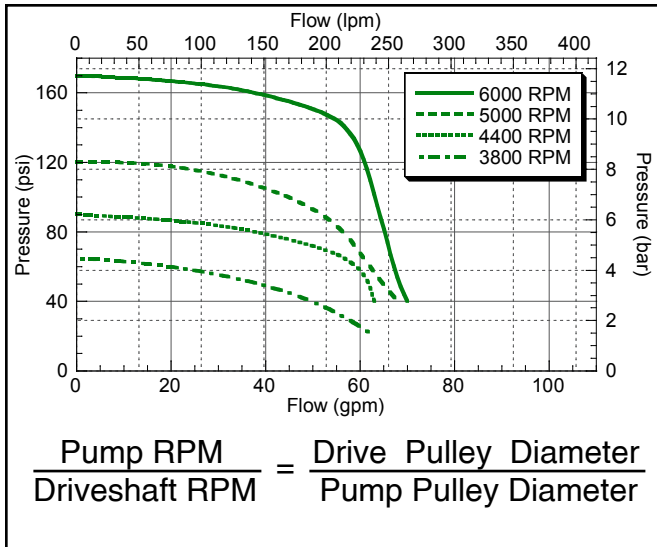
FMC-MAG-D



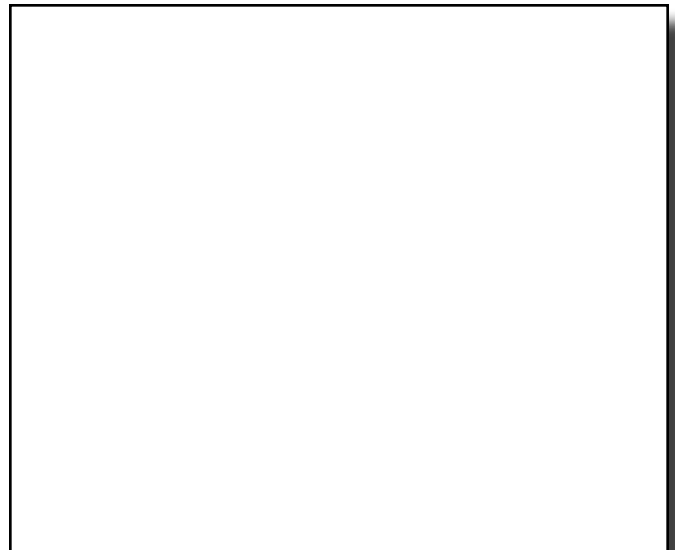
- Suction 1-1/4" - Discharge 1"
- Counter Clockwise Rotation when Facing Shaft End
- Standard Viton® Carbon/Ceramic seal or Optional Severe Duty Silicon Carbide Mechanical Seal
- Chemical Resistant Valox® or Optional Cast Iron Impeller
- Clockwise Rotation when facing shaft
- Heavy Duty DC 12 Volt Magnetic Clutch Transmits up to 44 HP at 4000 RPM
- 5" Solid Steel Dual Belt Pulley for Single or Double Belt Drives

Viton® Registered trademark of Dupont Dow Elastomers.
Valox® is a registered trademark of GE Plastics.

PERFORMANCE CHART

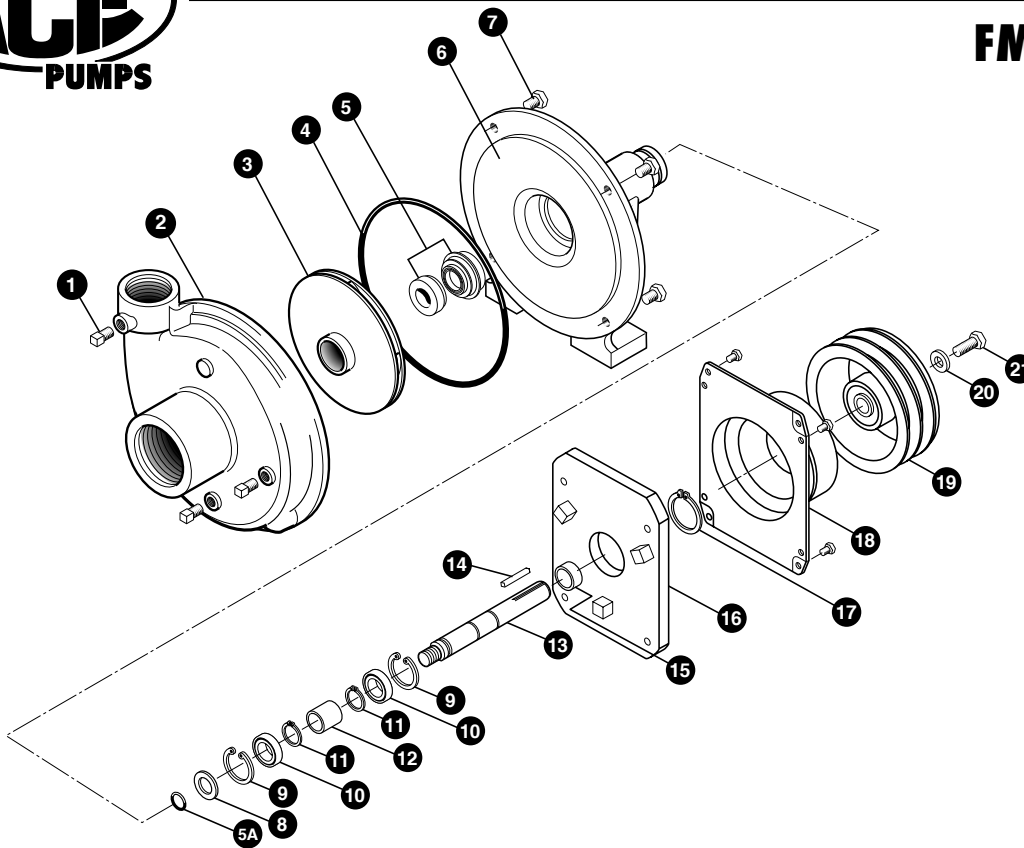


DIMENSIONS





FMC-MAG-D



REF. #	PART #	EDP #	DESCRIPTION	REQ.
1	BAC-53	41110	Pipe plug, 1/8" NPT	3
1	41120	41120	Pipe plug, 1/8" NPT, stainless steel (optional)	3
2	BAC-12	40250	Volute, 1-1/4" x 1", cast iron	1
3	BAC-26-VALOX	40430	Impeller, Valox, left hand thread	1
3	BAC-26-CI	40432	Impeller, cast iron, left hand thread (optional)	1
*4	BAC-4A	40005	"O" Ring for BAC-12 volute seal	1
*5	BAC-7V	40151	Seal, Viton mechanical seal (includes 40160 "O" ring)	1
5	BAC-7SC	40152	Seal, Silicon carbide mechanical seal (includes 40160 "O" Ring)(optional)	1
5A	40160	40160	"O" Ring for BAC-6 shaft	1
6	BAC-14-MIA	40290	Mounting frame, machined for idler arm	1
7	40930	40930	Cap screw, 3/8" NC x 3/4" Hex head, stainless steel (optional)	4
7	40950	40950	Cap screw, 3/8" NC x 3/4" Hex head	4
8	BAC-54	41130	Slinger	1
9	BAC-33	40810	Snap ring, internal, BAC-14 mounting frame	2
10	BAC-37	40870	Bearing, BAC-6 driven shaft	2
11	BAC-32	40790	Snap ring, external, BAC-6 driven shaft	2
12	BAC-32-S	40795	Spacer for BAC-6 shaft	1
13	BAC-6-D-SS	40071	Shaft, 5/8" driven, -D clutch, left hand thread, stainless steel	1
14	BAC-50	41080	Key, 3/16" x 3/16" x 1-1/4"	1
15	41492	41492	Spacer, -D clutch	1
16	41491	41491	Adapter plate, -D clutch	1
17	BAC-36	40850	Snap ring, external, BAC-13 idler arm	1
18	41496	41496	Coil ring with 4 cap screws, - D clutch, 12 volt, DC activated	1
19	41497	41497	5" Pulley assy., -D clutch	1
20	41494	41494	Washer, -D clutch attachment	1
21	GE-60	42230	Cap Screw, 5/16" NF x 3/4", -D clutch attachment	1
#	RK-FMC	52700	Repair kit for FMC series	-
#	41493	41493	Magnetic Clutch assembly, includes 41492, 41496, and 41497	-