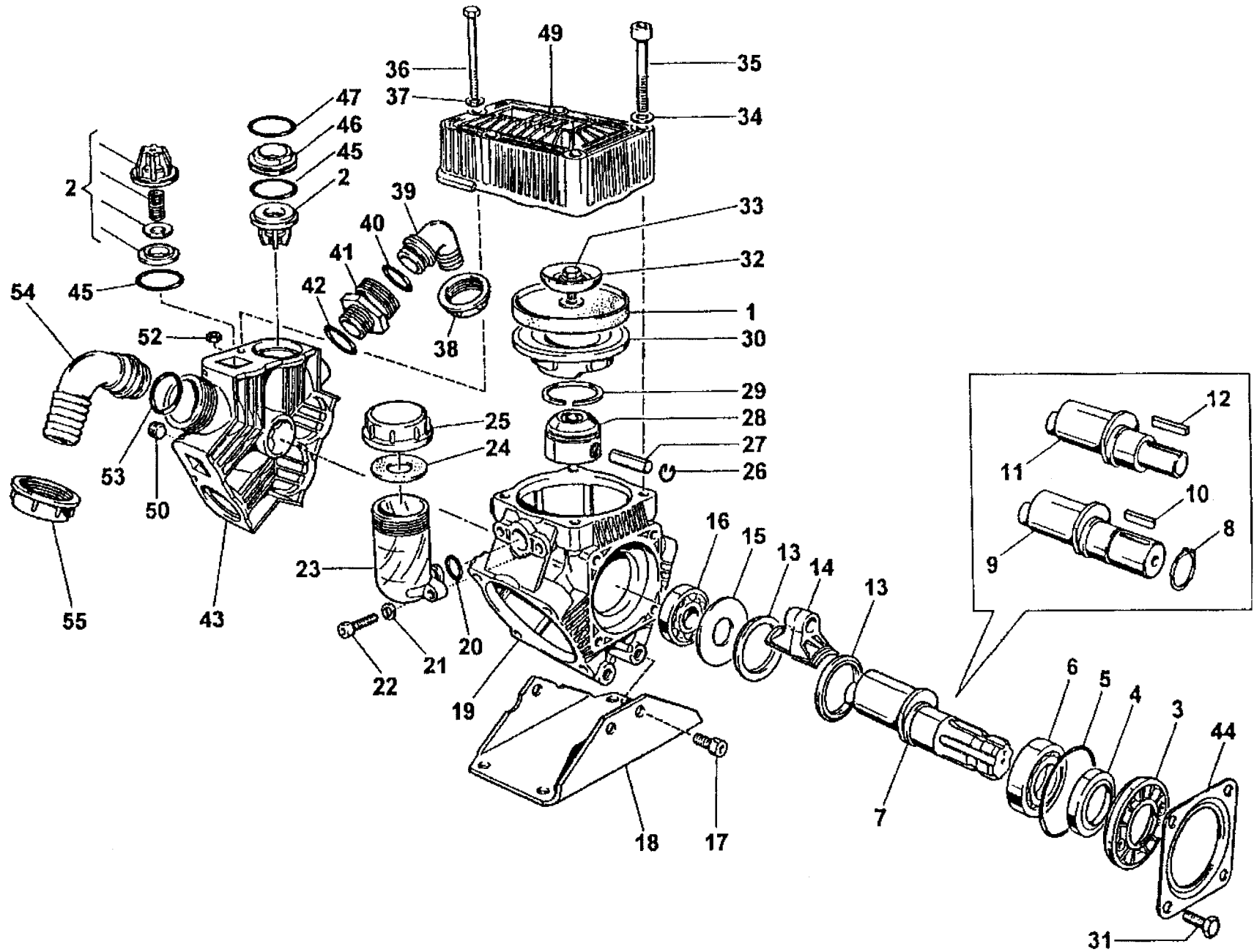


DP-193-PP



DP-193-PP

* Pump Kit: DP-63988097 ■ Pump Kit with Shaft Seals: DP-63988197 □ SS-Valve Kit: DP-639872973 ◆ Desmopan Diaphragm Kit: DP-63987397

ITEM	PART NO.	DESCRIPTION	QTY	ITEM	PART NO.	DESCRIPTION	QTY
■◆ 1	DP-95004000	DESMOPAN PISTON DIAPHRAGM	3	30	DP-63001501	PISTON SLEEVE	3
□ 2	DP-28980997	SS VALVE ASSY	6	31	DP-86318400	SCREW M10 X 16 UNI5739	4
3	DP-53000732	HOUSING	1	32	DP-63001768	DISK	3
■* 4	DP-80214310	OIL SEAL DIA. 35 X 52 X 7	1	33	DP-63001851	DIAPHRAGM LOCKING BOLT	3
■* 5	DP-80331000	O-RING 4, 0 X 82	1	34	DP-84380150	WASHER DIA. 10, 5 X 21 X 2	12
6	DP-81283700	BALL BEARING DIA. 35 X 62 X 14	1	35	DP-86356250	SCREW M10 X 70 UNI5931	12
11	DP-63001626	CRANKSHAFT "VA" VERSION	1	36	DP-86300200	SCREW M8 X 75 UNI5931	3
12	DP-80647500	TAB 6, 36 X 6, 36 X 38	1	37	DP-84369300	WASHER DIA. 8, 4 X 17 X1, 6	3
13	DP-26004776	RING	2	■ 38	DP-82006750	WING NUT G. 1-1/4"	1
14	DP-23000409	SET OF 3 LIGHT ALLOY CONRODS	1	39	DP-84054240	90° ELBOW CONNECTOR DIA. 25	1
15	DP-95009761	CRANKSHAFT SPACER	1	■ 40	DP-80321905	O-RING 3, 0 X 25 VITON	1
16	DP-81264600	BALL BEARING DIA. 20 X 52 X 15	1	41	DP-83508900	NIPPLES G.1" - G.1-1/4"	1
17	DP-86326400	SCREW M10 X 25 UNI5931	3	■ 42	DP-80321910	O-RING 3, 0 X 30	1
18	DP-63000661	MOUNTING RAIL	1	43	DP-63000332	MANIFOLD	1
19	DP-63000109	CRANKCASE	1	44	DP-17001661	FLANGE	1
■ 20	DP-80318000	O-RING 2, 62 X 15, 08	1	■*◆□ 45	DP-80332060	O-RING 5, 34 X 40, 65	6
21	DP-84368550	WASHER DIA. 8, 2 X 15 X 1, 5	2	46	DP-28022932	VALVE ASSY SPACER	4
22	DP-86268250	SCREW M8 X 25 UNI5931	2	■*◆□ 47	DP-80321980	O-RING 3, 0 X 39	4
23	DP-23000832	OIL FILLER	2	49	DP-63002232	HEAD	3
■ 24	DP-82412000	GASKET DIA. 45 X19 X 1, 5	1	50	DP-85258500	CAP G.3/8	1
25	DP-85275000	OIL FILLER CAP	1	52	DP-81457450	NUT M8 UNI5588	3
26	DP-80002100	RING DIA. 15	6	■ 53	DP-80321915	O-RING 3, 0 X 30 VITON	1
27	DP-85200670	PISTON PIN DIA. 15	3	54	DP-84057100	90° ELBOW CONNECTOR DIA. 38	1
28	DP-63001409	PISTON	3	55	DP-82007000	WING NUT G. 1-1/2"	1
29	DP-81850450	PISTON RING	3				