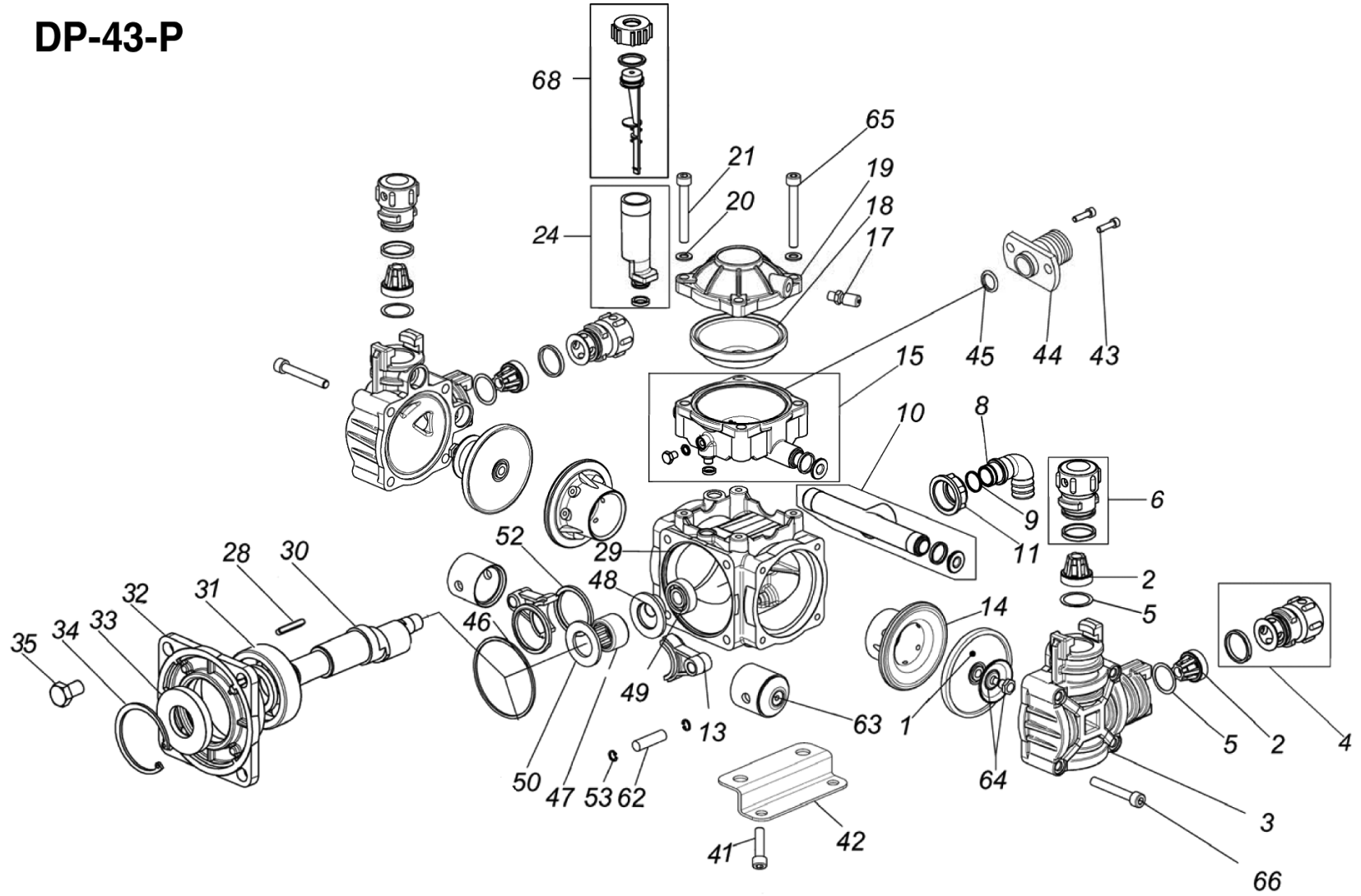


# DP-43-P



\*REPAIR KIT  
DP-94991297

# DIAPHRAGM PUMP DP-43-P

❖VALVE KIT  
DP-94991697

ITEM	PART NUMBER	DESCRIPTION	QTY	ITEM	PART NUMBER	DESCRIPTION	QTY
*1	DP-94004031	PISTON DIAPHRAGM	2	32	DP-94033609	BEARING HOUSING	1
❖2	DP-94982997	CHECK VALVE	4	33	DP-80209990	OIL SEAL 25X62X17	1
3	DP-94030232	PUMP HEAD	2	34	DP-80136900	SNAP RING D.52	1
*4	DP-94986997	KIT, INLET CAP	2	35	DP-86318500	SCREW M10X16	4
*❖5	DP-82415450	GASKET	4	41	DP-86205900	SCREW M6X14	4
*6	DP-94987897	KIT, OUTLET CAP	2	42	DP-94009961	MOUNTING RAIL	2
8	DP-84052100	SUCTION CONNECTOR	1	43	DP-86193460	SCREW M5X16	2
*9	DP-80306050	O-RING 1.78X12.42	1	44	DP-31135751	SS OUTLET CONNECTOR	1
*10	DP-94986897	KIT, INLET MANIFOLD	1	45	DP-80321700	O-RING 3,0X14	1
11	SC-82004210	WING NUT G.3/4	1	*46	DP-80308090	O-RING, D.1.78X82.27	1
13	DP-94000809	CONROD	2	47	DP-81268800	NEEDLE BEARING	1
14	DP-94000701	PISTON SLEEVE	2	48	DP-94002632	SPACER	1
*15	DP-94986797	KIT, DAMAPER BODY	1	49	DP-81252200	BALL BEARING	1
17	DP-86160500	AIR VALVE	1	50	DP-94002732	SPACER	1
*18	DP-94004131	DIAPHRAGM DAMPENER	1	52	DP-94004776	CONROD RING	2
19	DP-94000309	COVER BALLASTER TOP	1	53	DP-80000300	SNAP RING DIA. 10	4
20	DP-84368500	WASHER DIA. 8,4X15X15X1,5	4	62	DP-85200400	PISTON PIN	2
21	DP-86294500	SCREW M8X60	2	63	DP-94001708	PISTON	2
*24	DP-94986697	KIT, OIL FILLER	1	64	DP-94990997	KIT, DIAPH. WASHER/SCREW	2
28	DP-80643600	TAB 4,75X5X30	1	65	DP-86295100	SCREW M8X65	2
29	DP-94030109	CRANKCASE	1	66	DP-86290000	SCREW M8X55	8
30	DP-94032326	CRANKSHAFT 3/4"	1	*68	DP-94985597	KIT, ROP OIL INDICATOR	1
31	DP-81272500	BALL BEARING	1				