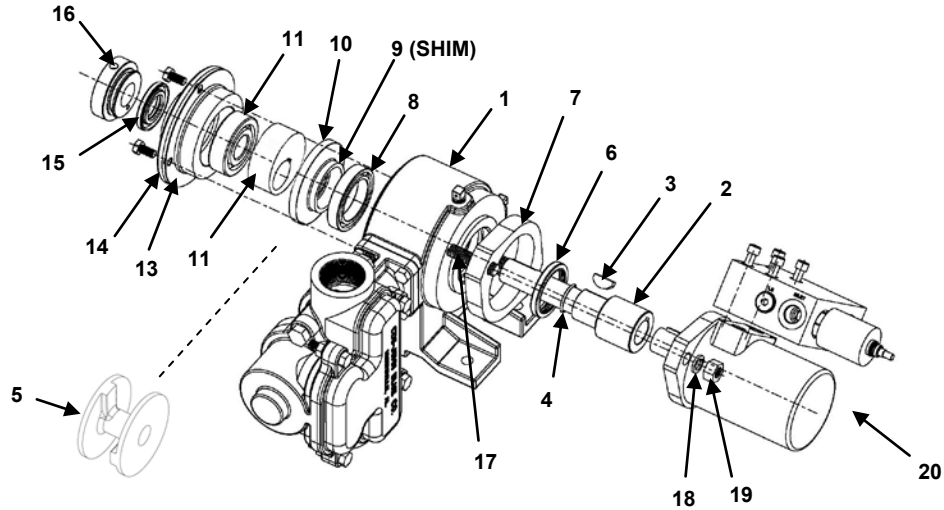


Parts Specific to Direct Hydraulic Drive Models:



ITEM	PART DESCRIPTION	NGP-40/6055-HY PART #	NGP-7055-HY PART #	NGP-9055-HY PART #
1	CRANKCASE	116194-01	116201-01	116274-01
2	MAIN SHAFT	116195-01	116195-01	116276-01
3	WOODRUFF KEY	108093-01	108093-01	108093-01
4	SHAFT SPACER (7055 ONLY)	N/A	116204-01	N/A
5	SPACER SLEEVE (9055 ONLY)	N/A	N/A	116275-01
6	DRIVE SIDE SEAL	116199-01	116199-01	116199-01
7	MOTOR SPACER	116200-01	116200-01	116200-01
8	DRIVE SIDE BEARING	116198-01	116198-01	116198-01
9	DRIVE SIDE SHIM (7055/9055 ONLY)	N/A	116343-01	116343-01
10	BEARING SPACER	116197-01	116203-01	116203-01
11	ECCENTRIC	116196-01	116202-01	116202-01
12	OUTBOARD BEARING	L-3019	L-3019	L-3019
13	COVER PLATE GASKET	L-1006	L-3002	L-3002
14	COVER PLATE	115723-01	115623-01	115623-01
15	OUTBOARD SEAL	115621-01	115621-01	115621-01
16	SHAFT COLLAR ASSEM	115624-91	115624-91	115624-91
17	STUD - 1/2"-13 X 3" LG	90716	90716	90716
18	1/2" LW, PLATED	93004	93004	93004
19	1/2"-13 NUT, PLATED	92029	92029	92029
20	OPTIONAL HYDRAULIC MOTOR & MANIFOLD ASSEMBLY	116205-91	116205-91	116205-91



CDS-John Blue Company

Division of Advanced Systems Technology

165 Electronics Blvd., Huntsville AL 35806

Telephone: (256) 721-9090 • Fax (256)-721-9091 • Toll Free 1-800-253-2583

www.cds-johnblue.com

YOUR LOCAL DEALER

