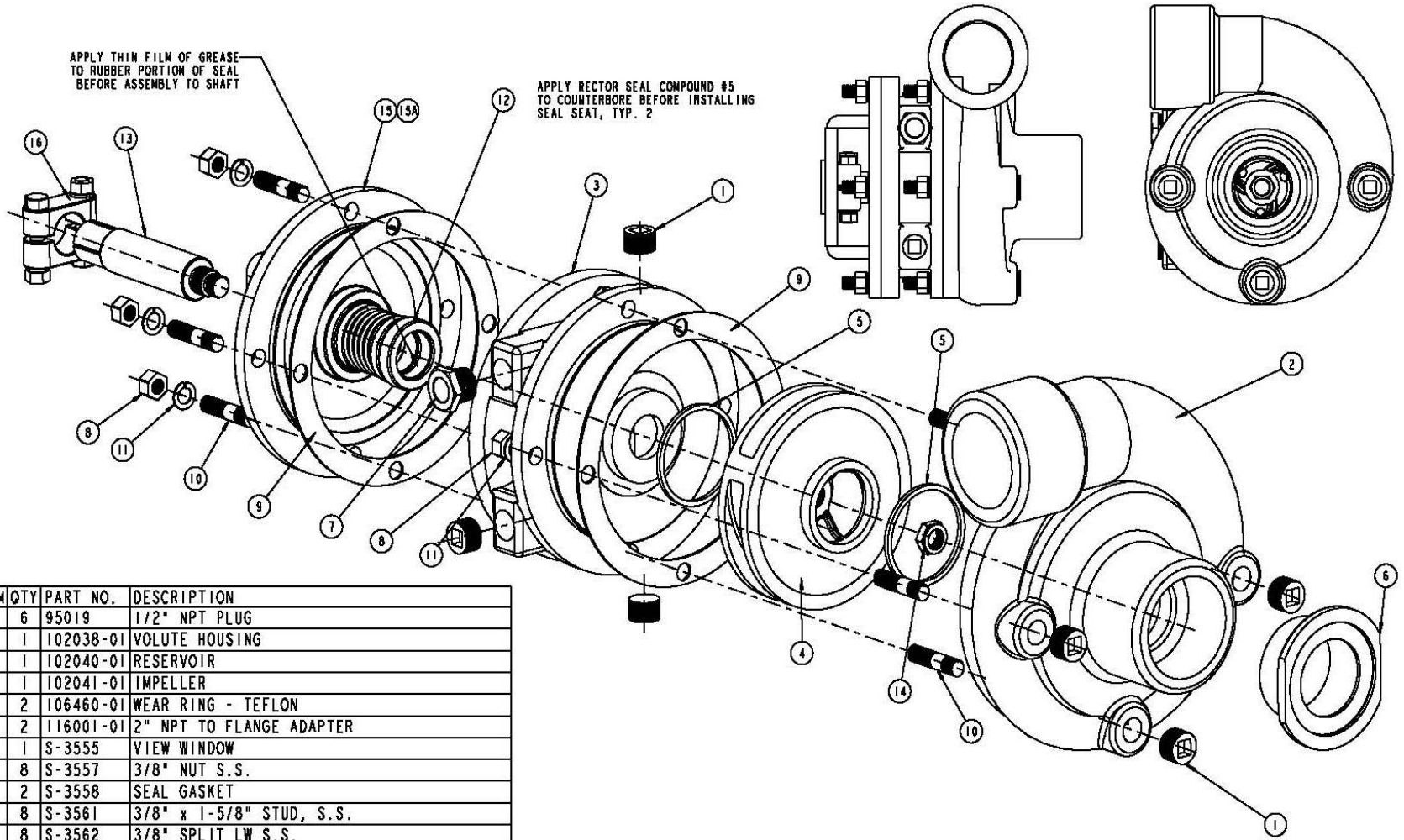


PARTS LISTING: S-3220 (2" STRAIGHT)



ITEM	QTY	PART NO.	DESCRIPTION
1	6	95019	1/2" NPT PLUG
2	1	102038-01	VOLUTE HOUSING
3	1	102040-01	RESERVOIR
4	1	102041-01	IMPELLER
5	2	106460-01	WEAR RING - TEFLON
6	2	116001-01	2" NPT TO FLANGE ADAPTER
7	1	S-3555	VIEW WINDOW
8	8	S-3557	3/8" NUT S.S.
9	2	S-3558	SEAL GASKET
10	8	S-3561	3/8" x 1-5/8" STUD, S.S.
11	8	S-3562	3/8" SPLIT LW S.S.
12	1	S-3565-V	MECH. DOUBLE SEAL (OPTIONAL CARBIDE SEAL: S-3595-VC)
13	1	S-3568	IMPELLER SHAFT
14	1	S-3572	IMPELLER NUT
15	1	S-3556	ADAPTER - GAS ENGINE & PEDESTAL
16	1	S-3607S	2" S.S. CLAMP ASSEMBLY
15A	-	S-3609	ADAPTER FOR ELECTRIC MOTOR