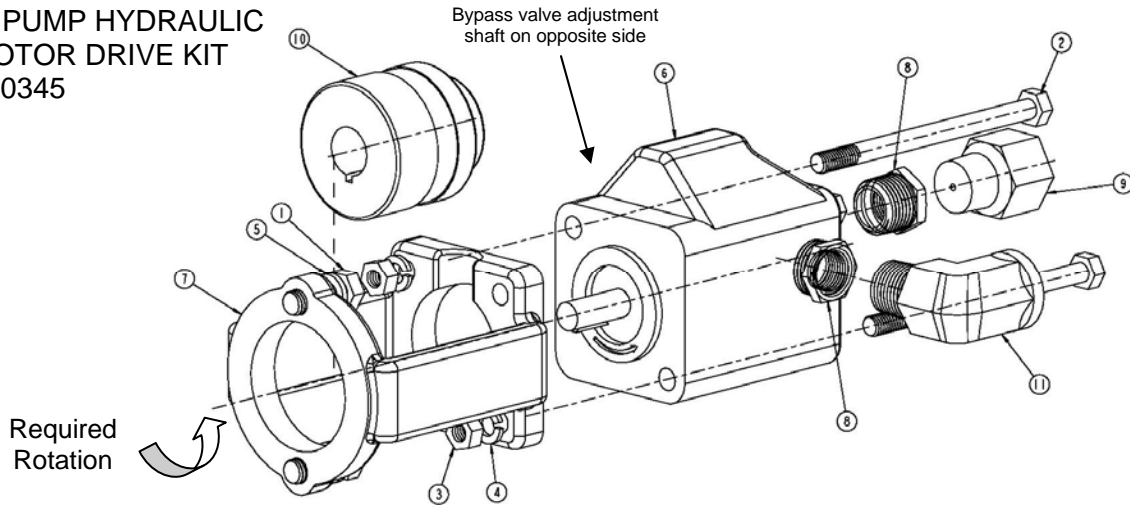


PARTS LISTING: HYDRAULIC MOTOR DRIVE KITS

2" PUMP HYDRAULIC MOTOR DRIVE KIT 110345

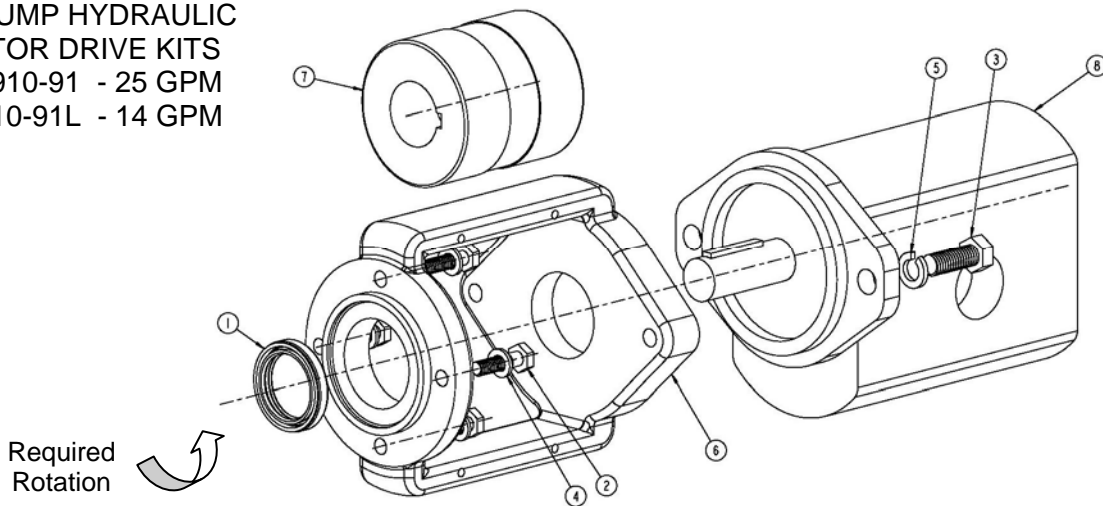


ITEM	QTY	PART NO.	DESCRIPTION
1	2	90651	3/8"-16NC X 1" LG. HEX HEAD BOLT
2	2	90959	5/16"-18NC X 4-1/2" LG. HEX HEAD BOLT
3	2	92020	3/8"-16NC HEX NUT
4	2	93023	5/16" SPLIT LW, PLTD.
5	2	93024	3/8" SPLIT LW, PLTD.
6	1	110346-01	2" PUMP HYDRAULIC MOTOR
7	1	S-3601	HYD. MOTOR ADAPTER
8	2	S-3682	REDUCING CONNECTOR, 1/2 X 3/8 NPT
9	1	S-3684	ORIFICE FITTING, 3/32"
10	1	S-3686	SHAFT COUPLING, 7/16" X 3/4"
11	1	S-8411	1/2" STEEL ELBOW

HYDRAULIC MOTOR DETAILS:

COUNTER-CLOCKWISE (CCW) ROTATION
 4-BOLT 4F17 FLANGE
 3400 RPM MAX 1000 PSI MAX CONT.
 0.00149 GAL/REV
 3/8" NPT INLET AND OUTLET PORTS
 7/16" DIAMETER x 1.13" LONG SHAFT
 APPROX. 5 GPM REQUIRED AT 3400 RPM

3" PUMP HYDRAULIC MOTOR DRIVE KITS 115910-91 - 25 GPM 15910-91L - 14 GPM



ITEM	QTY	PART NO.	DESCRIPTION
1	1	43018	OUTBOARD GREASE SEAL
2	4	90620	1/4"-20NC x 1" LG. HHCS, PLATED
3	2	90860	3/8"-16NC X 1" LG HHCS, PLATED
4	4	93005	1/4" SPLIT LOCKWASHER, PLATED
5	2	93024	3/8" SPLIT LW, PLTD.
6	1	107016-02	MOTOR ADAPTER
7	1	S-3673	SHAFT COUPLING, 1-1/8" X 3/4"
8	1	107030-02	STD. 3" PUMP HYDRAULIC MOTOR - .0072 GAL/REV
		107030-03	OPTIONAL LOW FLOW MOTOR - 0.0038 GAL/REV

HYDRAULIC MOTOR DETAILS:

COUNTER-CLOCKWISE (CCW) ROTATION
 SAE "A" 2-BOLT FLANGE
 3400 RPM MAX 3500 PSI MAX CONT.
 #16 O-RING INLET AND OUTLET PORTS
 3/4" DIAMETER x 1.94" LONG SHAFT
 "107030-02" STD. MOTOR: 0.0072 GAL/REV
 (APPROX. 25 GPM REQUIRED AT 3400 RPM)
 "107030-03" LOW FLOW MOTOR: 0.0038 GAL/REV
 (APPROX. 14 GPM REQUIRED AT 3400 RPM)