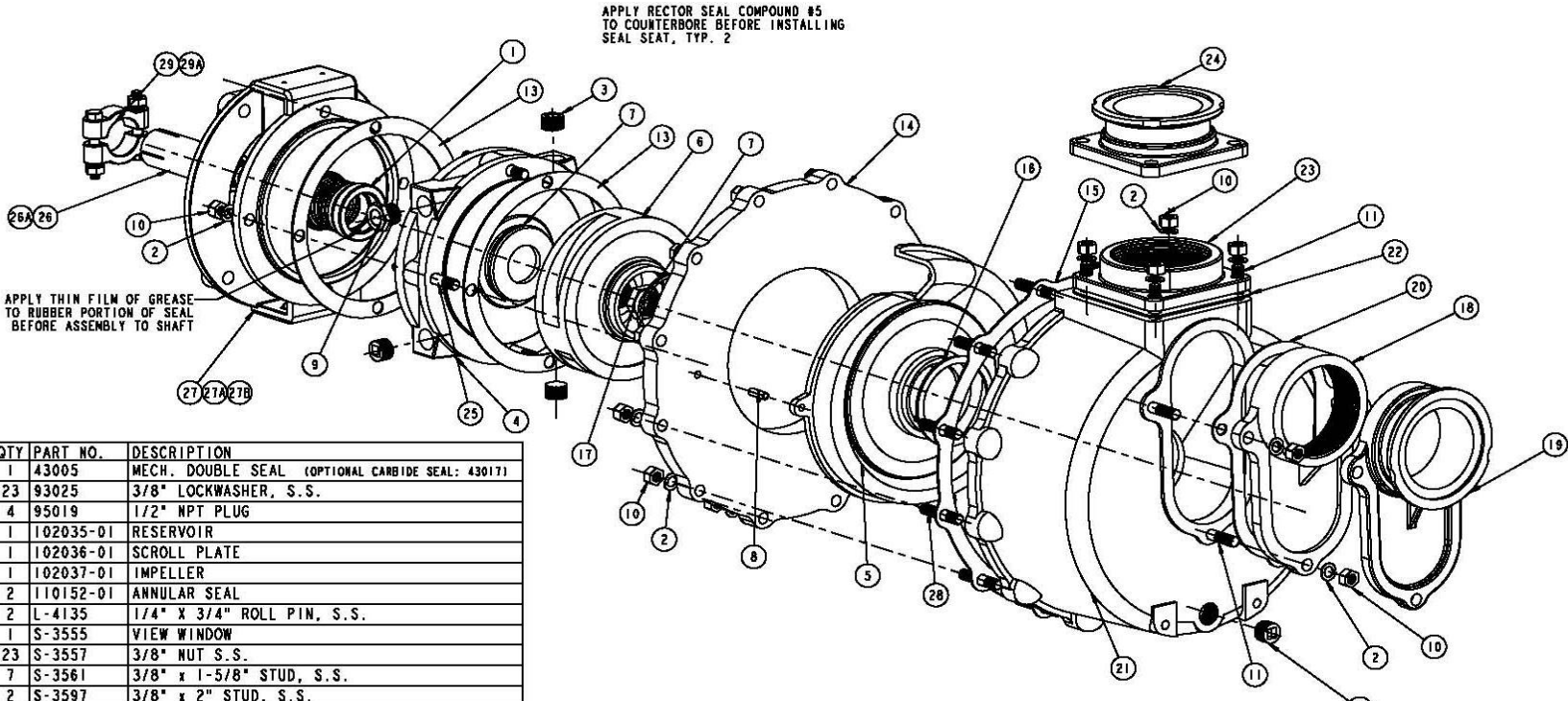


**PARTS LISTING: SP-3320 (3" SELF-PRIMING)**



ITEM	QTY	PART NO.	DESCRIPTION
1	1	43005	MECH. DOUBLE SEAL (OPTIONAL CARBIDE SEAL: 43017)
2	23	93025	3/8" LOCKWASHER, S.S.
3	4	95019	1/2" NPT PLUG
4	1	102035-01	RESERVOIR
5	1	102036-01	SCROLL PLATE
6	1	102037-01	IMPELLER
7	2	110152-01	ANNULAR SEAL
8	2	L-4135	1/4" X 3/4" ROLL PIN, S.S.
9	1	S-3555	VIEW WINDOW
10	23	S-3557	3/8" NUT S.S.
11	7	S-3561	3/8" x 1-5/8" STUD, S.S.
12	2	S-3597	3/8" x 2" STUD, S.S.
13	2	S-3638	GASKET SEAL
14	1	S-3640	HOUSING COVER
15	1	S-3641	HOUSING COVER GASKET
16	1	S-3648	GASKET, SCROLL PLATE
17	1	S-3649	3/4"-16 LEFT HAND LOCKNUT
18	1	S-3652	3" F.P.T. SUCTION FLANGE
19	1	S-3652-FLG	SUCTION FLANGE
20	1	S-3654	SUCTION FLANGE GASKET
21	1	S-3655	HOUSING
22	1	S-3656	FLANGE GASKET
23	1	S-3657	3" F.P.T. DISCHARGE FLANGE
24	1	S-3657-FLG	FLANGED ADAPTER
25	4	S-3664	3/8" x 3-1/2" STUD, S.S.
26	1	S-3646	IMPELLER SHAFT
27	1	102189-01	ADAPTER FOR GAS ENGINE
28	10	S-3666	3/8" x 1-7/8" STUD, S.S.
29	1	S-3608S	3" S.S. CLAMP ASSEMBLY
26A	-	114524-01	IMPELLER SHAFT FOR "BS" GAS ENGINE MODEL
27A	-	102190-01	ADAPTER FOR ELECTRIC MOTOR
27B	-	114523-01	ADAPTER FOR "BS" GAS ENGINE MODEL
29A	-	S-3608AS	3" KEYED STAINLESS CLAMP FOR "BS" IMPELLER SHAFT

