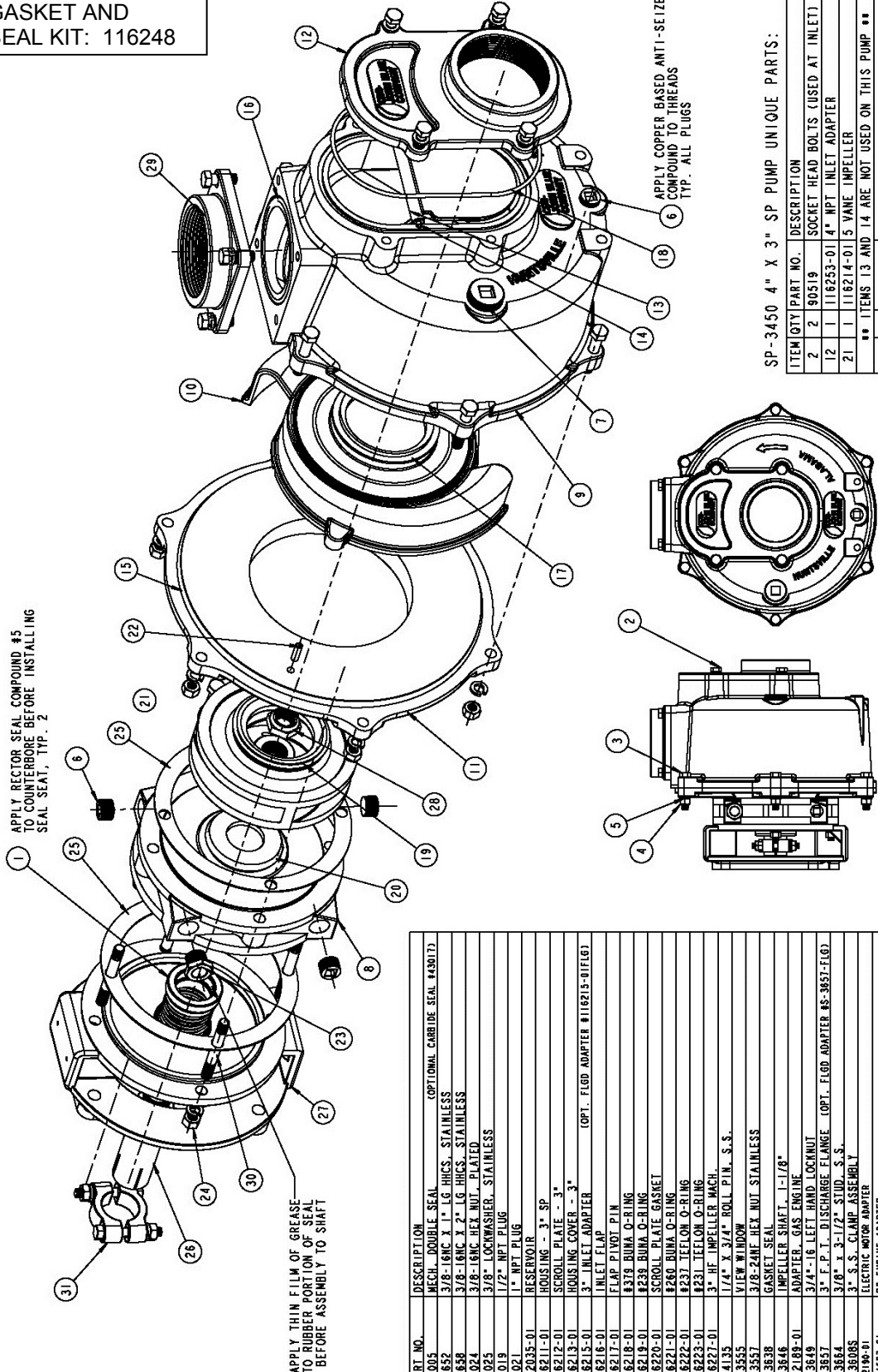


# PARTS LISTING: SP-3340/SP-3350/SP-3450 (3" & 4")

GASKET AND SEAL KIT: 116248



SP-3450 4" X 3" SP PUMP UNIQUE PARTS:

ITEM	QTY	PART NO.	DESCRIPTION
2	2	90519	SOCKET HEAD BOLTS (USED AT INLET)
12	1	116253-01	4" NPT INLET ADAPTER
21	1	116214-01	5 VANE IMPELLER
** ITEMS 13 AND 14 ARE NOT USED ON THIS PUMP **			

SCALE 3:16

ITEM	QTY	PART NO.	DESCRIPTION
1	1	42005	MECH. DOUBLE SEAL (OPTIONAL CARBIDE SEAL #48017)
2	8	90652	3/8-16NC X 1 LG. NUTS, STAINLESS
3	8	90656	3/8-16NC X 2 LG. NUTS, STAINLESS
4	6	92024	3/8-16NC HEX. NUT, PLATED
5	18	93025	3/8" LOCKWASHER, STAINLESS
6	4	95019	1/2" NPT PLUG
7	1	95021	1" NPT PLUG
8	1	102035-01	RESERVOIR
9	1	116211-01	HOUSING - 3" SP
10	1	116212-01	SCROLL PLATE - 3"
11	1	116213-01	HOUSING COVER - 3"
12	1	116215-01	3" INLET ADAPTER (OPT. FLGD. ADAPTER #116215-01FLG)
13	1	116216-01	INLET FLAP
14	1	116217-01	FLAP PIVOT PIN
15	1	116218-01	#318 BUNA O-RING
16	1	116219-01	#238 BUNA O-RING
17	1	116220-01	SCROLL PLATE GASKET
18	1	116221-01	#260 BUNA O-RING
19	1	116222-01	#233 TEFLON O-RING
20	1	116223-01	#231 TEFLON O-RING
21	1	116227-01	3" HF. IMPELLER MACH.
22	2	1-4135	1/4" X 3/4" BOLL. PIN, S.S.
23	1	S-3555	VIEW WINDOW
24	4	S-3557	3/8-24NF HEX NUT, STAINLESS
25	2	S-3638	GASKET SEAL
26	1	S-3646	IMPELLER SHAFT, 1-1/8"
27	1	102188-01	ADAPTER, GAS ENGINE
28	1	S-3649	3/4" - 16 LEFT HAND LOCKNUT
29	1	S-3657	3" F.P.T. DISCHARGE FLANGE (OPT. FLGD. ADAPTER #S-3657-FLG)
30	4	S-3664	3/8" X 3-1/2" STUD, S.S.
31	1	S-3608S	3" S.S. CLAMP ASSEMBLY
27-E	-	102190-01	ELECTRIC MOTOR ADAPTER
26-B5	-	114523-01	B5 ENGINE ADAPTER
26-B5	-	114524-01	B5 ENGINE SHAFT (1")
31-B5	-	S-3608AS	B5 ENGINE KEYED CLAMP