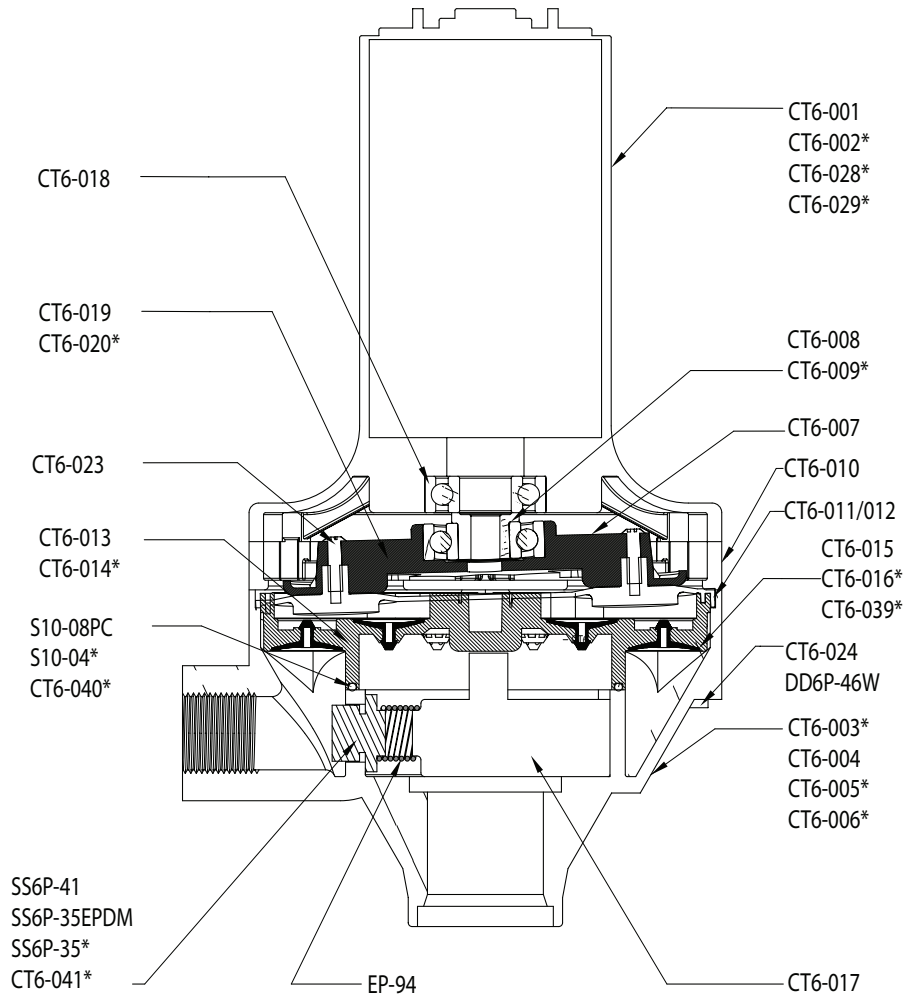


Cross-Sectional Drawings



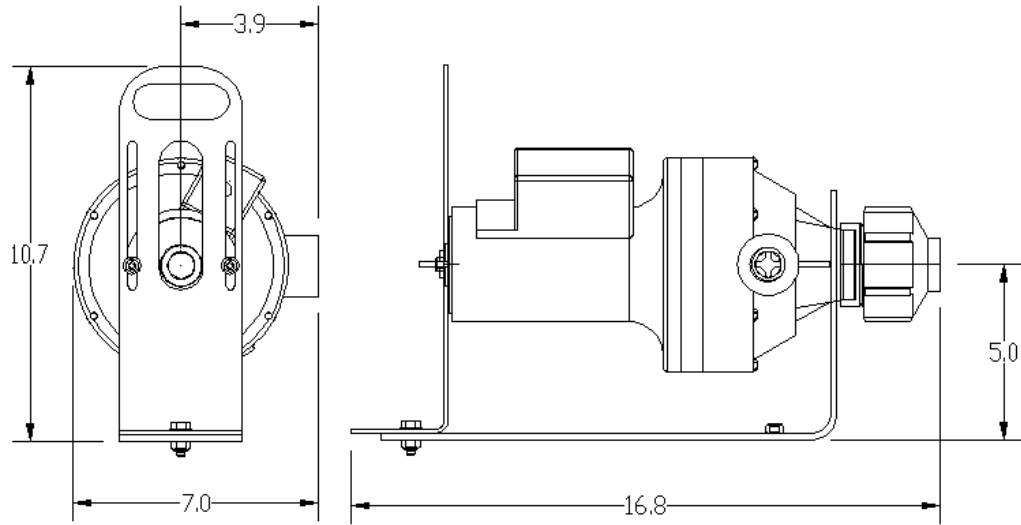
ITEM	DESCRIPTION
CT6-001	Motor Assembly (Green 12V)
CT6-002*	Motor Assembly HF
CT6-003*	<b>Housing</b> - Inlet: MM, Outlet: NPT
CT6-004*	<b>Housing</b> - Inlet: MM, Outlet: BSPP
CT6-005	<b>Housing</b> - Inlet: NPT, Outlet: NPT
CT6-006*	<b>Housing</b> - Inlet: BSPP, Outlet: BSPP
CT6-007	Wobble Plate
CT6-008	Bushing
CT6-009*	Bushing HF
CT6-010	Spacer (Aluminum)
CT6-011	Diaphragm
CT6-013	Valve Plate
CT6-014*	Valve Plate HF
CT6-015	Valves (Peroxide EPDM)
CT6-016*	Valves (Viton)

ITEM	DESCRIPTION
CT6-017	Bypass Support
CT6-018	Bearing
CT6-023	Screw (Wobble plate)
CT6-024	Screw (Housing)
CT6-039	Valve, Santoprene
CT6-040	O-ring, Santoprene
CT6-041	Bypass seal, Santoprene
DD6P-46W	Stainless Steel Washer
SS6P-41	Bypass valve
EP-94	Bypass valve spring
SS6P-35EPDM	Bypass valve gasket
SS6P-35*	Bypass valve gasket Viton
S10-08	O-ring
S10-04	O-ring (Viton)

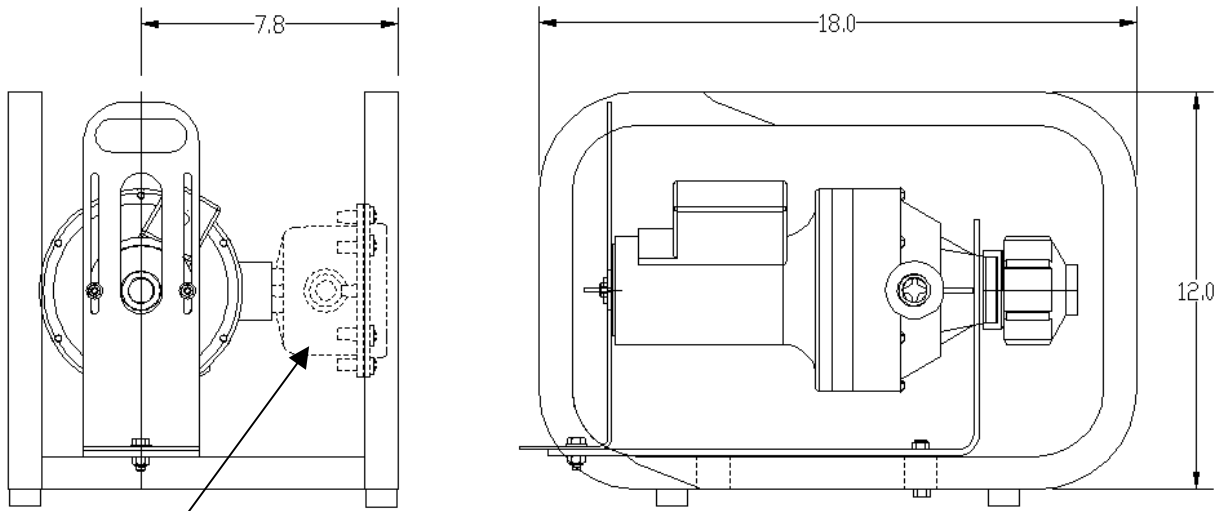
\* optional

### General Arrangement Drawings

#### 1- Horizontally Mounted CT6 Pump With Brackets

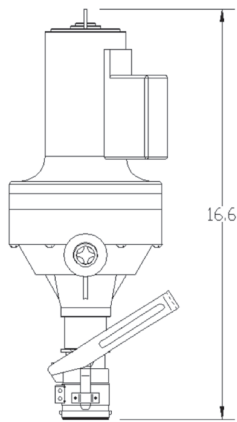


#### 2- CT6 CADDY System

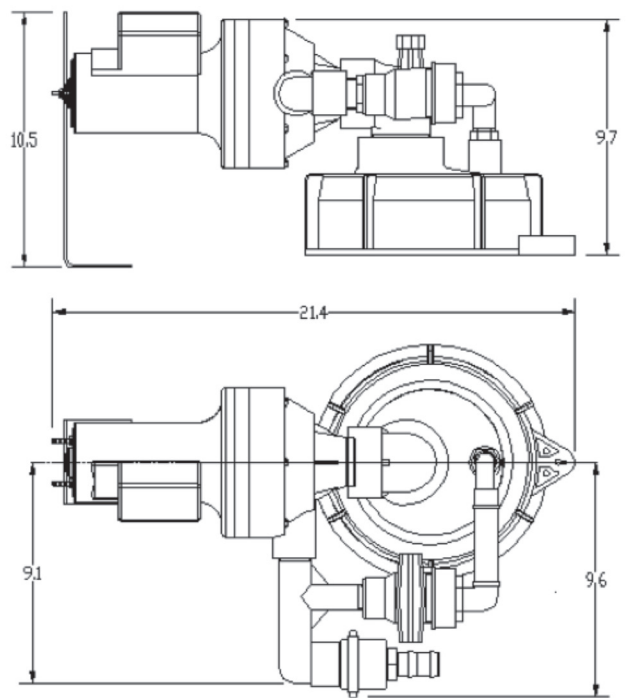


Flow Meter shown optional

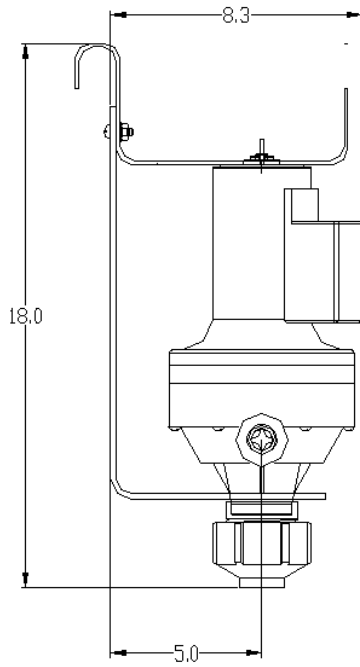
3- Vertical CT6 Pump With Micromatic Valve



4- Horizontally Mounted CT6 Pump With SPAN Cap



**5. Side Mounted CT6 Pump for Intermediate Bulk Containers (IBCs)**



**6. Valve Mounted CT6 Pump for Intermediate Bulk Containers (IBCs)**

