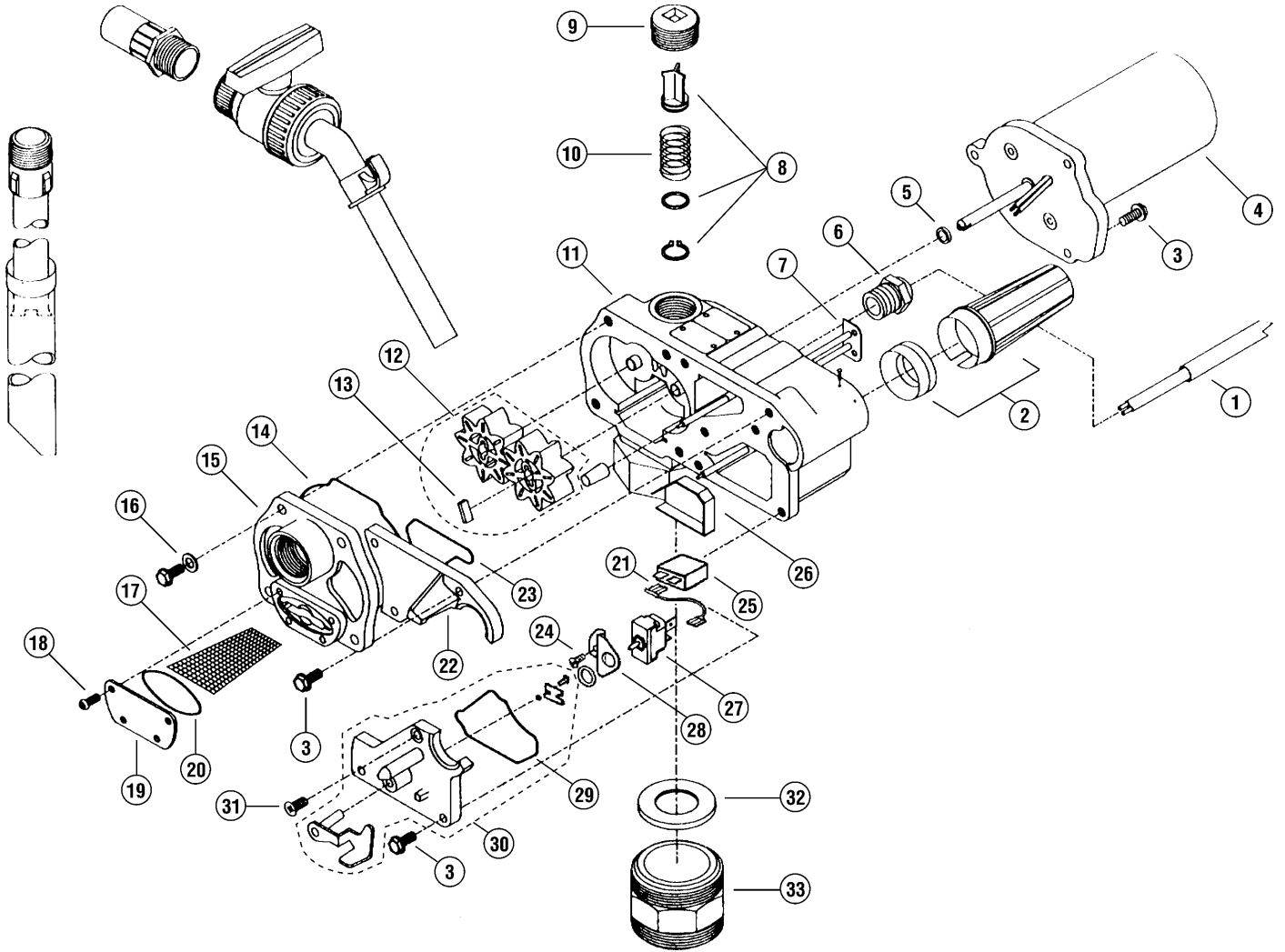


# Herbicide Series M-1100H 115-Volt AC Aluminum Gear Pump



# Herbicide Series M-1100H 115-Volt AC Aluminum Gear Pump

Item No.	Part No.	Description	No. Req'd.
1	115016-1	Power Cord (M-120H Only) .....	1
	902002-16	Cord .....	1
2	110902-1	Nozzle Cover Kit .....	1
3	904002-23	Screw, Sems (1/4-20 x 3/4) .....	4
4	119003-1	Motor (M-120H) .....	1
	119008-1	Motor (M-1100H) .....	1
5	110078-8	Seal, Motor Shaft .....	1
6	904002-17	Strain Relief .....	1
7	110039-1	Stopper (M-120H) .....	1
	110148-1	Stopper (M-1100H) .....	1
8	110501-1	Poppet Assembly .....	1
9	904001-42	Plug, Pipe .....	1
10	110011-2	Spring .....	1
11	110901-8	Housing Assembly (M-120H) .....	1
	110901-16	Housing Assembly (M-1100H) .....	1
12	110907-1	Gear Kit .....	1
13	110913-2	Drive Key Kit .....	1
14	118017-1	Seal, Gear Coverplate .....	1
15	110067-1	Coverplate, Gear .....	1
16	904002-24	Screw, Sems (5/16-18 x 3/4) .....	4
17	110063-1	Strainer .....	1
18	904002-22	Screw, Sems (10-32 x 5/16) .....	4
19	110024-1	Coverplate, Strainer .....	1
20	110078-4	Seal, Strainer Coverplate .....	1
21	110191-1	Jumper Wire, 12 volt .....	1
22	110031-1	Coverplate, Electric .....	1
23	110026-2	Seal, Electric Coverplate .....	1
24	904003-84	Screw, Switch Mounting Plate .....	1
25	902006-31	Circuit Breaker (M-120H) .....	1
26	110075-3	Barrier (M-120H) .....	1
	110075-2	Barrier (M-1100H) .....	1
27	110910-1	Switch (M-120H) .....	1
	119096-3	Switch / Circuit Breaker (M-1100H) .....	1
28	110162-3	Switch Mounting Plate (M-120H) .....	1
	110162-1	Switch Mounting Plate (M-1100H) .....	1
29	110026-6	Seal, Switch Coverplate .....	1
30	110164-1	Switch Coverplate Assembly (M-120H) .....	1
	110164-2	Switch Coverplate Assembly (M-1100H) .....	1
31	904001-27	Screw, CSK .....	1
32	110032-1	Gasket, Union Ring .....	1
33	110909-1	Bung Adapter Kit .....	1

## Accessories and Kits

- 110094-1 Pump Seal Kit – Motor Shaft Seal and O-Rings for: Strainer Coverplate; Gear Coverplate; Bypass Poppet
- 110100-2 Suction Pipe (Adjustable)
- 110107-2 Herbicide Nozzle, 1 inch
- 110189-2 Hose, 1 in. x 12 ft. (3.7m)
- 119082-1 Armature Assembly (M-120H)
- 110525-1 Brush Card Assembly (M-120H)
- 110527-1 Battery Clamp Kit
- 902002-2 Fuse & Holder, 12V, 20 amp
- 906001-4 Pressure Vent Cap (1 psi)