

# ***GENERAL PURPOSE ENGINE***

**GX270U  
GX270R**

**PARTS CATALOGUE**

**2**



GX270U

---

FOREWORD INDEX

**1**

---

ENGINE GROUP

**2**

---

PART NUMBER INDEX

**3**

---

PART NAME INDEX

**4**

---



**Instruction for use of parts catalogue**

- **This parts catalogue was prepared based on the latest information available as of February 01, 2008.**
- See the parts catalogue news for any revision that is made after February 01, 2008.
- **Always specify the part number when ordering a part.**
- Check the model, type, serial numbers, color, maker, and the size as needed before ordering a part.
- Note that the illustrations (part drawings) can differ from the actual parts in shape. They are given just to help you to refer to the parts.
- **When modifications or additions to this parts catalogue are made, a revised edition will be issued at an appropriate time, with successively progressing revision numbers on the cover. We recommend obtaining such revisions in order to keep your parts catalogue up-to-date at all times. To check whether a parts catalogue revision has been issued, please contact your Honda distributor.**

Initial version issue date **June 20, 2005**  
**Honda Motor Co., Ltd.**

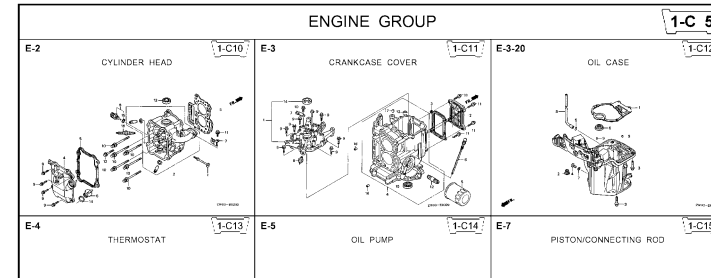
**CONTENTS**

	Page	Address No.	
● Instruction for use of parts catalogue .....	1	B 1	<b>1</b>
● How to refer to the part information .....	2	B 2	
● Part catalogue structure .....	3	B 3	
● When the parts were revised .....	4	B 4	
● Abbreviations used in the parts catalogue .....	4	B 4	
● How to check the part block and serial numbers .....	5	B 5	
● Models, parts catalogue codes and applicable serial numbers .....	6	B 6	
● Features of each type .....	9	B 9	
● Fuel hose, general purpose hoses and vinyl hose .....	18	C 2	
● FLAT RATE SERVICE TIME .....	19	C 3	
● Illustrated index .....	24	C 8	
● ENGINE GROUP .....	29	D 1	<b>2</b>
● PART NO. INDEX .....	122	J 1	<b>3</b>
● PART NAME INDEX .....	126	K 1	<b>4</b>



How to refer to the part information

A Reference with "Illustrated index"



B Reference with "Part number index"

PART NO. INDEX

Part Number	Address	Page	Ref.	Part Number	Address	Page
06000				15212-ZW9-000	1-C14	3C
06316-ZW9-000	1-G9	88	1	15220-ZW9-003	1-C14	3C
11000				15332-ZW9-000	1-E8	55
11300-ZW9-405	1-C11	27	1	15332-ZW9-A30	1-E11	5E
11300-ZW9-406	1-C11	27	1	15400-PF8-004	1-C11	27
11340-ZW9-000	1-C11	27	2	15422-ZW9-000	1-C14	3C
11342-ZW9-000	1-C11	27	3	15473-881-000	1-C14	3C
11381-ZW9-003	1-C12	28	1	15474-ZW9-000	1-C14	3C
				15611-921-000	1-C10	2E
				15655-ZW9-000	1-C11	27
12000				16000		
12000-ZW9-405ZA	1-C11	27	4	16010-ZV4-005	1-D4	3E
12155-ZV4-A00	1-C13	29	1	16011-ZV4-005	1-D4	3E
12166-ZW9-000	1-C10	26	1	16013-ZW9-003	1-D4	3E
12209-GB4-681	1-C16	32	1	16016-ZW9-003	1-D4	3E
12210-ZW9-405ZA	1-C10	26	2	16016-ZW9-721	1-D4	3E
12216-ZE2-300	1-E8	55	1	16023-ZW9-003	1-D4	3E
	1-E11	58	1	16024-ZV4-650	1-D4	3E
				16028-ZV4-650	1-D4	3E

C Reference with "Part name index"

PART NAME INDEX

Part name	Address	Page	Ref.
[ A ]			
ABSORBER , FUEL	1-E15	62	5
ARMATURE COMP.	1-D11	43	7
ARM COMP. , LINK JOINT	1-G6	85	18
ARM COMP. , SHIFT LINK	1-G6	85	14
ARM COMP. , TILT	1-F15	79	20
ARM , FUEL PUMP ROCKER	1-C16	32	4
ARM , REVERSE LOCK	1-F15	79	18
ARM , SHIFT LINK	1-F11	74	7
ARM , STOPPER	1-D1	33	12
ARM , THROTTLE REMOTE	1-F11	74	6
ARM , VALVE ROCKER	1-C16	32	3
[ B ]			
BAG , TOOL , 160MM	1-G5	84	10
BAND	1-G6	86	37
BAND B1 , WIRE	1-F6	69	1
BAND , CORD	1-F3	67	18
BAND , TUBE CLIP , 11MM	1-E15	63	20
BAND , TUBE CLIP , 12.5MM	1-E15	63	19

Address No. 1-C10

E-2 CYLINDER HEAD

Block No.

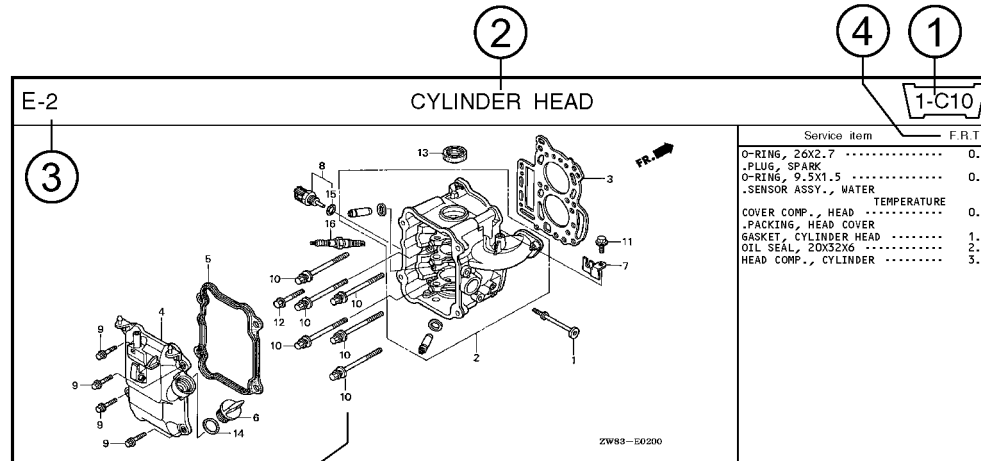
Ref No.

Ref. No.	Part No.	Description	Reqd. QTY						Serial No.	Parts catalogue code
			99D1	99D1	10D1	10D1	10B1	10B1		
1	12166-ZW9-000	STOPPER, ENGINE SIDE	2	2	2	2	2	2		
2	12210-ZW9-000ZA	HEAD COMP., CYLINDER	1	1	1	1	1	1		
3	12251-ZW9-003	GASKET, CYLINDER HEAD	1	1	1	1	1	1		
4	12310-ZW9-000	COVER COMP., HEAD	1	1	1	1	1	1		
5	12312-ZW9-000	PACKING, HEAD COVER	1	1	1	1	1	1		
6	15611-921-000	CAP, OIL	1	1	1	1	1	1		
7	16617-ZW9-000	HOLDER, CABLE	1	1	1	1	1	1	SC,SG	
	16617-ZW9-010		1	1	1	1	1	1	1001800	LHC,LHD
			1	1	1	1	1	1	1001801	LHC,LHD
8	35675-ZW5-003	SENSOR ASSY., WATER	1	1	1	1	1	1		
9	90003-ZW9-000	BOLT, FLANGE, 6X22	1	4	4	4	4	4		
10	90007-ZW9-003	BOLT, FLANGE, 8X83	6	6	6	6	6	6		
11	90011-ZW9-000	BOLT, FLANGE, 6X14(CT200)	1	1	1	1	1	1		
12	90020-ZW9-000	BOLT, FLANGE, 8X40	2	2	2	2	2	2		
13	91202-KJ9-003	OIL SEAL, 20X32X6	1	1	1	1	1	1		
14	91301-805-000	O-RING, 26X2.7	1	1	1	1	1	1		
15	91307-PK2-005	O-RING, 9.5X1.5(HONDA KIKAKI)	1	1	1	1	1	1		
16	98059-55916	PLUG, SPARK (CR5EH-9)	2	2	2	2	2	2		
	98059-55926	PLUG, SPARK (U16FER9)	2	2	2	2	2	2		

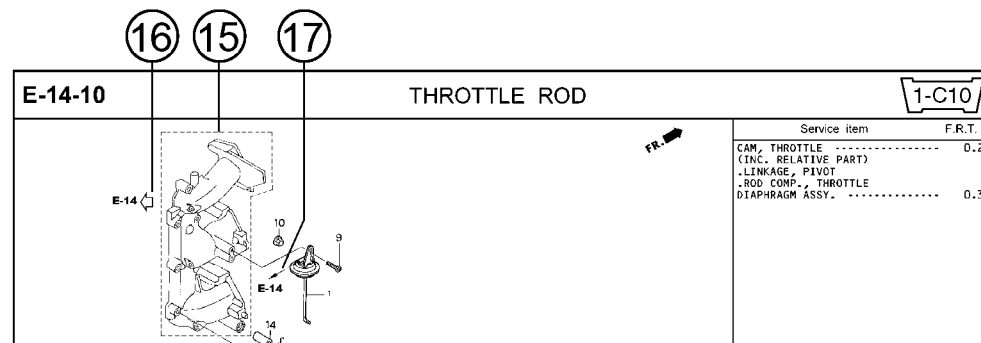
Page No.

2008.09.20 E

**Part catalogue structure**



Ref. No.	Part No.	Description	Reqd. QTY						Serial No.	Parts catalogue code
			BF 9/9D1	BFP 9/9D1	BF 10D1	BFP 10D1	BF 10B1	BFP 10B1		
1	12166-ZW9-000	STOPPER, ENGINE SIDE	2	2	2	2	2	2		
2	12210-ZW9-000ZA	HEAD COMP., CYLINDER *NHS* ..... DARK GRAY	1	1	1	1	1	1		
3	12251-ZW9-003	GASKET, CYLINDER HEAD	1	1	1	1	1	1		
4	12310-ZW9-000	COVER COMP., HEAD	1	1	1	1	1	1		
5	12312-ZW9-000	PACKING, HEAD COVER	1	1	1	1	1	1		
6	15611-921-000	CAP, OIL (NO GAUGE)	1	1	1	1	1	1		
7	16617-ZW9-000	HOLDER, CABLE	1	1	1	1	1	1	SC,SG	
	16617-ZW9-010		1	1	1	1	1	1	1001800 LHC,LHD	



- ① **Address number**
  - Address No. is provided (in place of the page No.) to help you refer to the part with the part No. or part name.
- ② **Block title** ③ **Block number**
- ④ **Service item/Flat rate time**
- ⑤ **Reference number**
  - Title number marked with the parenthesis or parentheses indicates that it continues from the previous page.
- ⑥ **Part number** ⑦ **Honda color code**
- ⑧ **Description**
- ⑨ **Assemblies**
  - Sections framed with broken lines in the exploded view drawings are available as complete assemblies. (Their individual parts can also be obtained.)
- ⑩ **Color description**
- ⑪ **Note**
  - Notes are shown with the parentheses in the part name column.
- ⑫ **Required quantity**
  - Required QTY shown in the parenthesis or parentheses indicates the optional part.
  - Required QTY marked with "N" Indicates the optional part that should be selected as needed.
  - Required QTY indicates the number of the part used in the block.
- ⑬ **Serial number**
- ⑭ **Type**
  - When the type column is blank, it indicates that the part is applicable to all types.
  - As the type of the actual unit may differ from the "parts catalogue, type" please refer to "Models, types and applicable serial numbers" for confirmation.
- ⑮ **[Dotted line]**
  - Parts enclosed within a dotted line [ ] are covered in a different block.
- ⑯ **[Hollow arrow]**
  - A hollow arrow [ ] indicates the block No. for the parts enclosed within a dotted line [ ] .
- ⑰ **[Solid arrow]**
  - A solid arrow [ ] indicates the block No. the part in question is connected to.

When the parts were revised

Abbreviations used in the parts catalogue

1



Be sure to check the serial number!!



Ref. No.	Part No.	Description	Reqd. QTY						Serial No.
			BF 99D1	BFP 9.9D1	BF 10D1	BFP 10D1	BF 10B1	BFP 10B1	
1	12166-ZW9-000	STOPPER, ENGINE SIDE .....	2	2	2	2	2	2	
2	12210-ZW9-000ZA	HEAD COMP., CYLINDER *NHS* ..... DARK GRAY	1	1	1	1	1	1	
3	12251-ZW9-003	GASKET, CYLINDER HEAD .....	1	1	1	1	1	1	
4	12310-ZW9-000	COVER COMP., HEAD .....	1	1	1	1	1	1	
5	12312-ZW9-000	PACKING, HEAD COVER .....	1	1	1	1	1	1	
6	15611-921-000	CAP, OIL (NO GAUGE) .....	1	1	1	1	1	1	
7	16617-ZW9-000	HOLDER, CABLE (###) .....	1	1	1	1	1	1	SC, SG LHC, LHD LHC, LHD
	16617-ZW9-010	.....	1	1	1	1	1	1	

The number has been used from the initial model without revision.

When shown at the left side, it is applicable to the models of No.1001801 and the subsequent numbers.

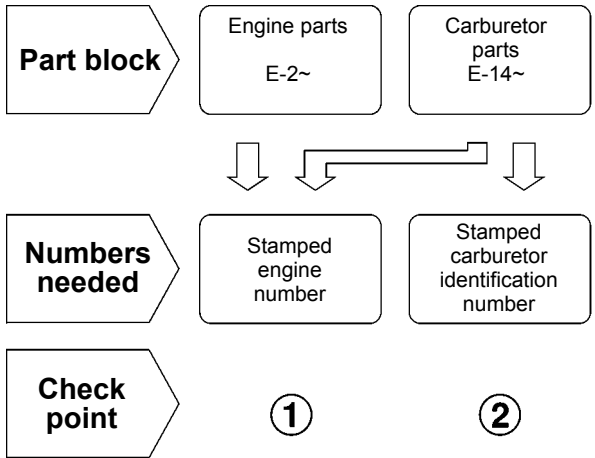
When shown at the right side, it is applicable to the models up to No.1001800.

• The parts listed with "###" at the end of the parts name have limited supply period (parts not for sale).

• The following abbreviations are used in the parts name column.

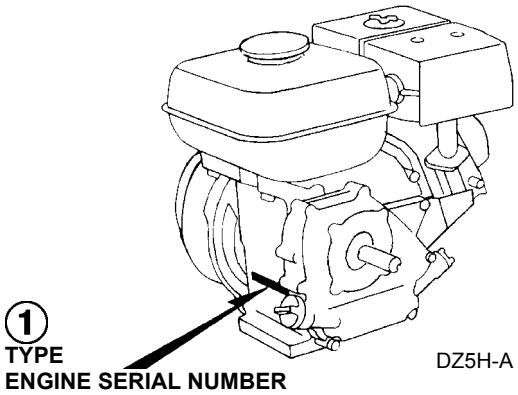
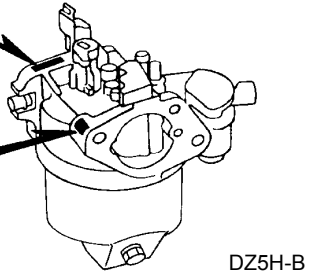
- |  |                             |
|--|-----------------------------|
| A ..... Ampere                               | FR. ....Front               |
| A.C. .... Alternating current                | IN. ....Inlet               |
| ASSY. .... Assembly                          | L (100L) .Link (100 Links)  |
| AT. .... Automatic transmission              | L. ....Left                 |
| C.D.I. .... Capacitive discharge ignition    | MM .....Millimeter          |
| COMP. ... Complete                           | MT. ....Manual Transmission |
| D.C. .... Direct current                     | P.T.O. ....Power take off   |
| EX. .... Exhaust                             | R. ....Right                |
| G.F.C.I ... Ground fault circuit interruptor | RR. ....Rear                |
| HEX. .... Hexagonal                          | STD. ....Standard           |
| H.S.T. .... Hydrostatic transmission         | T (22T) ...Tooth (22 Teeth) |
|  | V .....Volt                 |
|  | W .....Watt                 |

How to check the part block and serial numbers



②-B  
CARBURETOR  
IDENTIFICATION NUMBER

②-A  
CARBURETOR  
IDENTIFICATION NUMBER





### Models, parts catalogue codes and applicable serial numbers

- Models, parts catalogue codes and applicable serial Nos. given in this parts catalogue can be identified as follows.

Model	Type	Parts catalogue type	Applicable engine serial No.	Applicable carburetor identification No.	Model	Type	Parts catalogue type	Applicable engine serial No.	Applicable carburetor identification No.	
GX270U	HA2	HA2	GCALK-1000001~	BE75B B / C	GX270U	QHE4	QHE4	GCALK-1000001~	BE75B B / C	
	HEA2	HEA2				QH26	QH26			BE21A D / E
	HEA8	HEA8				QHR	QHR			BE75B B / C
	HXQ4	HXQ4				QHR4	QHR4			BE75A B / C
	HX26	HX26				QKE3	QKE3			BE75B B / C
	HX8	HX8				QKE4	QKE4			BE75A B / C
	LXE8	LXE8				QME2	QME2			BE75B B / C
	LXQ4	LXQ4				QSC9	QSC9			BE75A B / C
	LXU	LXU				QSE2	QSE2			BE75B B / C
	PAE2	PAE2				QSE8	QSE8			BE75A B / C
	PA2	PA2				QWA4	QWA4			BE75A B / C
	PXE8	PXE8				QWH2	QWH2			BE75B B / C
	PXU	PXU				QXB	QXB			BE24B D
	PX26	PX26				QXB6	QXB6			BE75A B / C
	QAE2	QAE2				QXB7	QXB7			BE75B B / C
	QAE6	QAE6				QXB9	QXB9			BE75A B / C
	QAG	QAG				QXC4	QXC4			BE75B B / C
	QAG2	QAG2				QXC6	QXC6			
	QAQ4	QAQ4		QXC9		QXC9				
QAR2	QAR2	QXE4	QXE4							
QAW	QAW	QXE6	QXE6							
QA2	QA2	QXE8	QXE8							
QA26	QA26	QXQ4	QXQ4							
QE	QE			BE21A D / E						

Model	Type	Parts catalogue type	Applicable engine serial No.	Applicable carburetor identification No.	
GX270U	QXU	QXU	GCALK-1000001~	BE75B B / C	
	RA2	RA2			
	RHE4	RHE4			
	RHG4	RHG4			
	RHQ4	RHQ4			
	RH26	RH26			
	RSC2	RSC2			
	RXQ4	RXQ4			
	RXU	RXU			
	SAX4	SAX4			
	SE	SE			
	SHQ4	SHQ4			BE21A D / E
	SMC4	SMC4			BE75B B / C
	SME1	SME1			BE21B C
	SME6	SME6	BE75B B / C		
	SMX2	SMX2	BE21A D / E		
	SWA4	SWA4	BE75B B / C		
	SWC4	SWC4			
	SXB	SXB			
	SXB7	SXB7			
	SXB9	SXB9			
SXEB	SXEB				
SXE4	SXE4				
SXE8	SXE8				

Model	Type	Parts catalogue type	Applicable engine serial No.	Applicable carburetor identification No.	
GX270U	SXQ4	SXQ4	GCALK-1000001~	BE75B B / C	
	SXU	SXU			
	VAG2	VAG2			
	VA2	VA2			
	VDE2	VDE2			
	VE39	VE39			
	VKB2	VKB2			
	VKE4	VKE4			
	VKE9	VKE9			
	VKQ4	VKQ4			
	VKX4	VKX4			BE77R A / B / C
	VKX9	VKX9			BE75B B / C
	VMA4	VMA4			BE21E C
	VME2	VME2			BE21G A / B / C
	VME4	VME4		BE75B B / C	
	VMS2	VMS2		BE21D C	
	VMX2	VMX2		BE21F A / B / C	
	VM2	VM2		BE77R A / B / C	
	VNG1	VNG1		BE75A B / C	
	VNT2	VNT2		BE75B B / C	
	VN17	VN17		BE75A B / C	
VN19	VN19	BE77Q A			

Model	Type	Parts catalogue type	Applicable engine serial No.	Applicable carburetor identification No.	Model	Type	Parts catalogue type	Applicable engine serial No.	Applicable carburetor identification No.
GX270U	VPE4	VPE4	GCALK-1000001~	BE21D C BE21F A / B / C	GX270U	VWA2	VWA2	GCALK-1000001~	BE75B B / C
	VPE5	VPE5		BE77R A / B / C		VWN2	VWN2		BE21A D / E
	VPE7	VPE7		BE21D C BE21F A / B / C		VWT4	VWT4		BE75B B / C
	VPE9	VPE9		BE77R A / B / C		VW12	VW12		
	VPX4	VPX4		BE21D C BE21F A / B / C		VXB	VXB		
	VPX5	VPX5		BE77R A / B / C		VXB7	VXB7		
	VPX7	VPX7		BE21D C BE21F A / B / C		VXB9	VXB9		
	VPX9	VPX9		BE77R A / B / C		VXEB	VXEB		
	VSD	VSD		BE21D C BE21F A / B / C		VXE4	VXE4		
	VSD3	VSD3		BE77R A / B / C		VXE6	VXE6		
	VSD7	VSD7		BE21D C BE21F A / B / C		VXE7	VXE7		
	VSD9	VSD9		BE77R A / B / C		VXE9	VXE9		
	VSH7	VSH7		BE75B B / C		VXQ4	VXQ4		
	VSH9	VSH9		BE75B B / C		VXU1	VXU1		
	VS37	VS37				VX2	VX2		
VS39	VS39	VX39	VX39						
GX270R				BE21D C BE21F A / B / C	GX270R	RSC2	RSC2		BE77R A / B / C
				BE77R A / B / C		VDE2	VDE2		BE76C A
						VKB2	VKB2		BE75B B / C
						VWN2	VWN2		

\* Of carburetor identification numbers, only the portions underlined in the example below are used for registration.

BE 75B B KC ナ  
 (A) (B)

Features of each type

• See the following table for the features of each type. (Items in brackets are optional)

Specifications		Model	GX270U														
		Type	HA2	HEA2	HEA8	HXQ4	HX26	HX8	LXE8	LXQ4	LXU	PAE2	PA2	PXE8	PXU	PX26	QAE2
Crankshaft	25mmØ Straight																
	25.4mmØ Straight																●
	20mmØ Spline	●	●	●	●	●	●	●	●	●							
	M20 Stepped thread																
	1" Thread										●	●	●	●	●		
	3/16" Tapered																
	1/5" Tapered																
Fuel tank		●	●	●	●	●	●	●	●	●	●	●	●	●	●	●	●
Starter motor			●	●				●			●		●				●
Control box			●	●				●			●		●				●
Reduction		●	●	●	●	●	●	●	●	●							

**1**

Specifications		Model	GX270U														
		Type	QAE6	QAG	QAG2	QAQ4	QAR2	QAW	QA2	QA26	QE	QHE4	QH4	QHR	QHR4	QH26	QKE3
Crankshaft	25mmØ Straight																
	25.4mmØ Straight	●	●	●	●	●	●	●	●	●	●	●	●	●	●	●	●
	20mmØ Spline																
	M20 Stepped thread																
	1" Thread																
	3/16" Tapered																
	1/5" Tapered																
Fuel tank		●	●	●	●	●	●	●	●	●	●	●	●	●	●	●	●
Starter motor		●									●			●			●
Control box		●									●						
Reduction																	

Specifications		Model	GX270U													
		Type	QKE4	QME2	QSC9	QSE2	QSE8	QWA4	QWH2	QXB	QXB6	QXB7	QXB9	QXC4	QXC6	QXC9
Crankshaft	25mmØ Straight															
	25.4mmØ Straight	●	●	●	●	●	●	●	●	●	●	●	●	●	●	●
	20mmØ Spline															
	M20 Stepped thread															
	1" Thread															
	3/16" Tapered															
	1/5" Tapered															
Fuel tank		●	●	●	●	●	●	●	●	●	●	●	●	●	●	●
Starter motor		●	●	●	●	●				●						●
Control box			●	●	●	●				●						●
Reduction																

**1**

1

Specifications		Model	GX270U													
		Type	QXE6	QXE8	QXQ4	QXU	RA2	RHE4	RHG4	RHQ4	RH26	RSC2	RXQ4	RXU	SAX4	SE
Crankshaft	25mmØ Straight					●	●	●	●	●	●	●	●	●	●	●
	25.4mmØ Straight	●	●	●	●											
	20mmØ Spline															
	M20 Stepped thread															
	1" Thread															
	3/16" Tapered															
	1/5" Tapered															
Fuel tank		●	●	●	●	●	●		●	●		●	●	●	●	●
Starter motor		●	●				●									
Control box		●	●				●									
Reduction						●	●	●	●	●	●	●	●			

Specifications		Model	GX270U													
		Type	SMC4	SME1	SME6	SMX2	SWA4	SWC4	SXB	SXB7	SXB9	SXEB	SXE4	SXE8	SXQ4	SXU
Crankshaft	25mmØ Straight		●	●	●	●	●	●	●	●	●	●	●	●	●	
	25.4mmØ Straight															
	20mmØ Spline															
	M20 Stepped thread															
	1" Thread															
	3/16" Tapered															●
	1/5" Tapered															
Fuel tank			●	●	●	●	●	●	●	●	●	●	●	●	●	
Starter motor				●							●	●	●			
Control box				●							●	●	●			
Reduction																

**1**



1

Specifications		Model	GX270U														
		Type	VA2	VDE2	VE39	VKB2	VKE4	VKE9	VKQ4	VKX4	VKX9	VMA4	VME2	VME4	VMS2	VMX2	VM2
Crankshaft	25mmØ Straight																
	25.4mmØ Straight																
	20mmØ Spline																
	M20 Stepped thread																
	1" Thread																
	3/16" Tapered	●	●	●	●	●	●		●	●		●		●	●	●	
	1/5" Tapered							●			●		●				
Fuel tank		●						●			●	●	●				●
Starter motor			●	●	●	●	●					●	●	●			
Control box			●		●							●		●			
Reduction																	

Specifications		Model	GX270U														
		Type	VNG1	VNT2	VN17	VN19	VPE4	VPE5	VPE7	VPE9	VPX4	VPX5	VPX7	VPX9	VSD	VSD3	VSD7
Crankshaft	25mmØ Straight																
	25.4mmØ Straight																
	20mmØ Spline																
	M20 Stepped thread																
	1" Thread																
	3/16" Tapered	●	●	●	●	●	●	●	●	●	●	●	●	●	●	●	●
	1/5" Tapered																
Fuel tank														●		●	
Starter motor						●	●	●	●								
Control box																	
Reduction																	

**1**

**1**

Specifications		Model	GX270U													
		Type	VSD9	VSH7	VSH9	VS37	VS39	VWA2	VWN2	VWT4	VW12	VXB	VXB7	VXB9	VXEB	VXE4
Crankshaft	25mmØ Straight															
	25.4mmØ Straight															
	20mmØ Spline															
	M20 Stepped thread															
	1" Thread															
	3/16" Tapered	●	●	●	●	●	●	●	●	●	●	●	●	●	●	●
	1/5" Tapered															
Fuel tank		●									●	●	●	●	●	●
Starter motor									●					●	●	●
Control box														●	●	●
Reduction																

Specifications		Model	GX270U							GX270R				
		Type	VXE7	VXE9	VXQ4	VXU1	VX2	VX39	WMA4	WMT8	RSC2	VDE2	VKB2	VWN2
Crankshaft	25mmØ Straight										●			
	25.4mmØ Straight													
	20mmØ Spline													
	M20 Stepped thread							●	●					
	1" Thread													
	3/16" Tapered	●	●	●	●	●	●				●	●	●	
	1/5" Tapered													
Fuel tank		●	●	●	●	●		●	●					
Starter motor		●	●					●			●	●		
Control box		●	●					●			●	●		
Reduction										●				

1

## Fuel hose, general purpose hoses and vinyl hose

- The standard part fuel hose, general purpose hose and vinyl hose may be substituted by the coiled bulk part.
- When ordering the standard part fuel hose, general purpose hose and vinyl hose use the bulk part number written in the parts catalog in brackets ( ) underneath the part name.
- When exchanging the hose, cut and use at the specified length as mentioned in the part name.  
(For the method of cutting the bulk part, and method of filling out orders etc., please refer to the instructions issued with the bulk part.)

### Bulk part number of fuel hose, general purpose hose and vinyl hose.

Example: 9 5 0 0 1 - 7 5 0 0 1 - 5 0 M

**Bulk part number:**  
Refers to the bulk part.

**Marking code (fuel hose and general purpose hose)**

**Change code (Vinyl hose)**

Indicates number mark or change sequence, however, the code for the bulk part must be strictly 0 (zero).

**Types of code:**

- |             |  |                |  |              |   |
|-------------|--|----------------|--|--------------|---|
| • Fuel hose | 2: Red outside braid<br>(3 mm inside dia. only)        | • General hose | 1: Ash gray<br>2: Ash gray<br>3: Black<br>5: Black | • Vinyl hose | 1: Clear<br>2: Black<br>3: Light red<br>6: Light red<br>7: Pale black |
|             | 5: Black inside braid                                  |                |  |              |   |
|             | 3: Red (3 mm inside dia. only)                         |                |  |              |   |
|             | 4: Ash gray with red stripe<br>(3 mm inside dia. only) |                |  |              |   |
|             | 6: Black   |                |  |              |   |

**Lengths:**

- 001: 1 m (standard)  
003: 3 m  
008: 8 m } Application or specification of some parts is not settled.

**I.D code: (fuel hose and general purpose hose)**

- |            |                    |                    |                             |                             |
|------------|--------------------|--------------------|-----------------------------|-----------------------------|
| 30: 3.0 mm | 50: 5.0 mm         | 70: 7.0 mm         | 11: 11 mm                   | 12: 12 (outside dia. 17) mm |
| 35: 3.5 mm | 55: 5.3 mm, 5.5 mm | 75: 7.3 mm, 7.5 mm | 91: 12 (outside dia. 15) mm | 14: 14 mm                   |
| 45: 4.5 mm | 65: 6.5 mm         | 80: 8.0 mm         | 92: 12 (outside dia. 16) mm | 17: 17 mm                   |

**ID./OD. code: (vinyl hose)**

- |                         |                          |                           |                           |                           |
|-------------------------|--------------------------|---------------------------|---------------------------|---------------------------|
| 01: ID. 2.9, OD. 6.8 mm | 12: ID. 5.0, OD. 7.0 mm  | 21: ID. 8.0, OD. 9.0 mm   | 37: ID. 11.0, OD. 15.0 mm | 50: ID. 16.0, OD. 19.0 mm |
| 03: ID. 3.0, OD. 6.0 mm | 10: ID. 5.0, OD. 8.0 mm  | 23: ID. 8.0, OD. 12.0 mm  | 38: ID. 12.0, OD. 13.0 mm | 55: ID. 17.5, OD. 20.5 mm |
| 05: ID. 3.5, OD. 6.5 mm | 11: ID. 5.0, OD. 9.0 mm  | 25: ID. 9.0, OD. 11.0 mm  | 39: ID. 12.0, OD. 14.0 mm | 60: ID. 22.0, OD. 27.0 mm |
| 07: ID. 4.0, OD. 7.0 mm | 14: ID. 6.0, OD. 9.0 mm  | 27: ID. 9.0, OD. 13.0 mm  | 40: ID. 12.0, OD. 16.0 mm |                           |
| 08: ID. 4.5, OD. 6.5 mm | 17: ID. 7.0, OD. 9.0 mm  | 33: ID. 10.0, OD. 14.0 mm | 43: ID. 13.0, OD. 15.0 mm |                           |
| 09: ID. 4.5, OD. 8.0 mm | 19: ID. 7.0, OD. 11.0 mm | 36: ID. 11.0, OD. 13.0 mm | 45: ID. 14.0, OD. 18.0 mm |                           |

**Hose type:**

- 1: Fuel hose  
3: Vinyl hose  
5: General hose

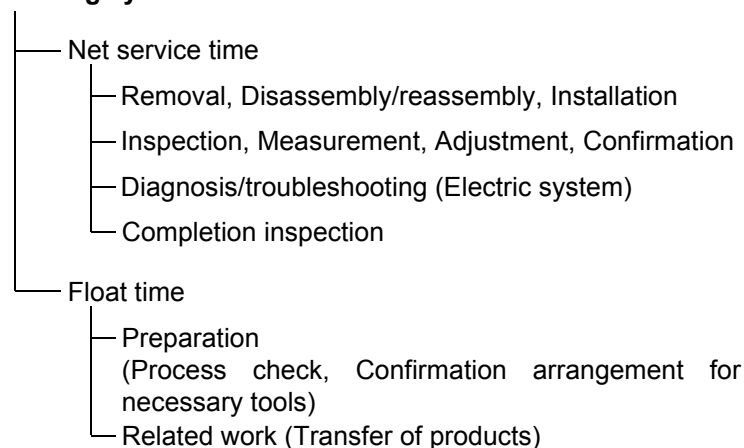
⊙ **CAUTION: It is DANGEROUS to confuse the fuel hose with the general purpose hose or vinyl hose.**

Never use a general purpose hose or vinyl hose in place of a fuel hose or vice versa. Always use the correct bulk part in the parts catalogue, according to the service manual or the instructions issued with the bulk part.

## FLAT RATE SERVICE TIME

Flat rate service time (FRT) means the standard time required to service a product, which is listed in this manual to help the dealers control the actual working process and calculate the service charge by using it as a guide.

### FRT setting system



\* Float time is set by multiplying the net service time by a given coefficient.

### Editorial style

The service items shown in the text are listed with the exchange work time for the repair sales parts as the subject. Other representative service items not using repair parts (removal/installation, adjustment, inspection/measuring, and other work) are listed collectively in the list in the preface, classified according to the work.

### FRT setting standard

- Decimal system (in unit of 0.1) is adopted to set FRT as it is convenient to calculate the wage.  
Example: (0.1) → 6 minutes, (0.2) → 12 minutes  
[Labor cost per hour] x [FRT] = [Wage]
- FRT is set with a hand tool.
- Service items and FRT can be subject to change depending on development of tools and service equipment and improvement in service procedure.

**Work procedure**

- As the work procedure is set with the work time according to the method in the separate Service Manual, refer to this Manual as required.
- Work methods permitting servicing in the shortest time still permitting assurance of safe work and product warranty are used for the setting of service items not listed in the Service Manual.
- Work basically is to be performed by one person, and when two or more people are required, setting is done as the total time for the number of people.
- The set value for the technological level of the workers uses a person with three years of experience in the repair of Honda products as the standard.
- Special tools and service equipment used to set FRT are those specified or recommended in Service Manual.

**Service item whose FRT is not presented**

- Accessories and service parts that are not listed to use in this manual.
  - Locations with little aging deterioration or breakage during normal use.
  - Service work that can be finished by one touch.
  - Service work that is seldom done (i.e. extremely small causes of trouble and service frequency).
  - Products and parts whose location for installation differs according to its status of use and application.
- \* When FRT is not presented, please calculate wages based on appropriate actual work time.

**Operation not included of FRT**

- Oil and coolant water draining, Waiting time for warming up operation and etc..
- Additional operation that involves removal/installation of standard exterior equipment.
- Indirect time spent for service by visiting the customer, trade-in, and delivery.
- Indirect time required for ordering and delivery of parts.
- Cost for grease, adhesive agent, etc. used for service work.

**Explanation of FRT by using an example  
(The example may differ from the actual presented items)**

Ref. No.	L.O.N.	(Relative ref. Number) Description	F.R.T.
①	1111L1	④ (1, 3, 4, 7) VALVE, INTAKE .....4.1	②
②		• NOTE: OHV type ⑥	⑦
③	1111L1A	• Includes: Engine removal and installation	
		⑤ One head (intake all) add ..... 1.4	

- ① Reference No. of the illustration of part that shows location of the replacement work.
- ② FRT is an abbreviation of Flat Rate Time indicating the standard service time required for the replacement.
- ③ LON is an abbreviation of Labor Operation Number, and it is a classification of the service items by the work unit code.

The same operation code is used regardless of the models.

Standard operation is indicated with 6 digits code, and additional operation is indicated with 7 digits code.

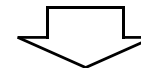
- ④ Indicating the intake valve replacement and FRT4.1.
- ⑤ Indicating FRT1.4 that will be added when additional operation (whole intake side of one cylinder head) is done in association with intake valve replacement.

- ⑥ Indicating work condition or application condition of the service item.
- ⑦ Indicating work contents that are included in the service item.
- ⑧ Indicating a reference No. whose operation and time are the same as FRT4.1 for the intake valve.

(The application range is limited to the service items without an LON setting within a same block.)

**How to refer to the service item by using the sample  
(intake valve replacement)**

Open to the page of the block where the intake valve's spare part illustration is shown.



Look for the intake valve illustration, and refer to the service item and FRT that agree with the reference No.



Indication mark for the listing of service items that continues to the following page

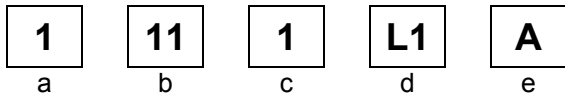
Ref. No.	L.O.N.	(Relative ref. Number) Description	F.R.T.
2	1111L1	VALVE, INTAKE .....	4.1
	.	.	.
	.	.	.

+  
Mark indicated at the last line.

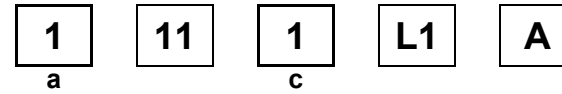
Indication of the block with no setting of FRT

Ref. No.	L.O.N.	(Relative ref. Number) Description	F.R.T.
NO INFORMATION .....			

• LON code system



- a) Category code..... Engine
- b) Location/function code..... Engine upper
- c) Operation code..... Replace
- d) Operation sequence number (Unit code can be shown with alphabet)  
..... Intake valve  
(No regular rule of code)
- e) Additional code ..... One head (intake all)  
(No regular rule of code)



a) Category codes and classification

Code	Category
1	Engine
2	Power drive
3	Fuel & Exhaust
4	Frame & Body
5	Steering
6	Electrical
7	Axle & Brake
8	Control system
9	-
0	Attachments

c) Operation codes and classification

Code	Operation category
1	Replace, Removal/Installation, Change
2	Overhaul
3	Adjust, Rotation
4	(Paint-related work: Top-coat)
5	Test, Inspect/diagnose, Measurement
6	(Overhaul-related work: Rebore)
7	(Overhaul-related work: Reseal)
8	(Resurface)
9	(Paint-related work: Refinish)
0	Repair, Cleaning, Air bleeding

Major service items without using spare parts

- (1) Removal/Installation, (2) Adjustment,  
(3) Inspection/Masurement, (4) Overhaul, (5) Other work

E: Engine, T: Transmission, D: Drive system,  
B: Body and related parts

### (1) Removal/Installation

Set with the parts configuration in the status of being removed from the product.

	LON	DESCRIPTION	FRT
E	1111L3	CYLINDER HEAD ASSEMBLY-REMOVAL/INSTALLATION	0.5

### (2) Adjustment

	LON	DESCRIPTION	FRT
E	1113A1	VALVE CLEARANCE-ADJUSTMENT NOTE: For 1 product	0.3
	1163A0	CONTROL, THROTTLE/GOVERNOR-ADJUSTMENT	0.2
	3113A2	CARBURETOR IDLE-ADJUSTMENT	0.2

### (3) Inspection, Measurement, Cleaning

	LON	DESCRIPTION	FRT
E	1105A0	ENGINE OIL-INSPECTION	0.1
	3120A0	AIR CLEANER-CLEANING INCLUDES: Air cleaner-inspection	0.1
	3130A0	SPARK ARRESTER-CLEANING	0.2
	6140A0	SPARK PLUG-ADJUSTMENT/CLEANING NOTE: For 1 product	0.2

### (4) Overhaul

Work condition: The required Measurements, inspections, adjustments, and cleaning/washing of each part are performed, including the main body removal/installation work and the replacement of defective parts.

	LON	DESCRIPTION	FRT
E	3112A0	CARBURETOR-OVERHAUL INCLUDES: All necessary adjustment	0.6

### (5) Other work

	LON	DESCRIPTION	FRT
E	1101E1	ENGINE OIL-CHANGE INCLUDES: Engine oil-inspection	0.2

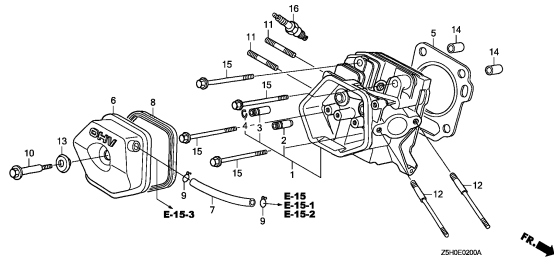
# ENGINE GROUP

**C 8**

**E-2**

CYLINDER HEAD

**D 1**

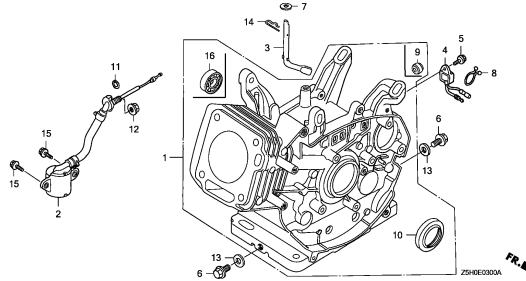


ZSH0E0200A

**E-3**

CYLINDER BARREL

**D 4**

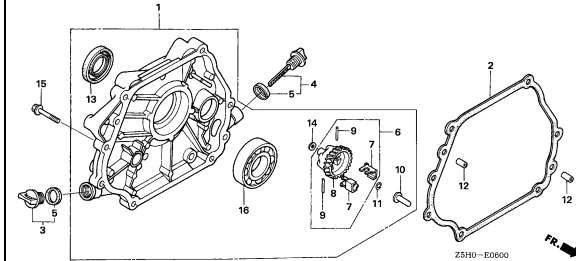


ZSH0E0300A

**E-6**

CRANKCASE COVER(1)

**D 7**

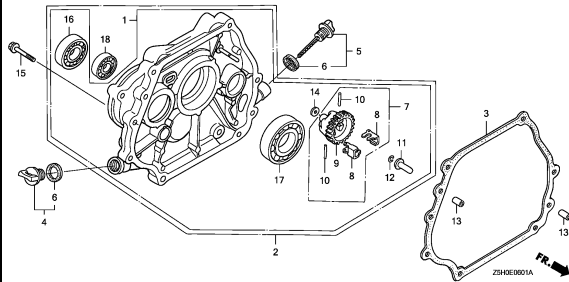


ZSH0-E0600

**E-6-1**

CRANKCASE COVER(2)

**D10**

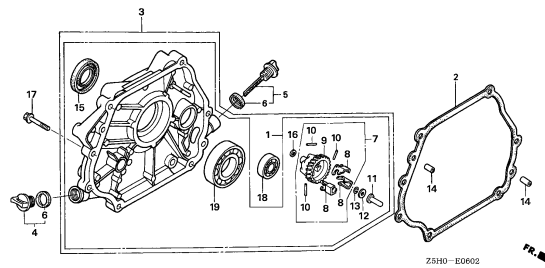


ZSH0E0501A

**E-6-2**

CRANKCASE COVER(3)

**D11**

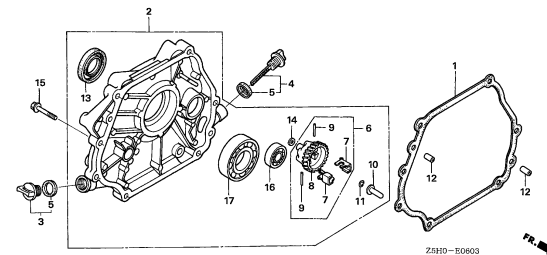


ZSH0-E0602

**E-6-3**

CRANKCASE COVER(4)

**D13**

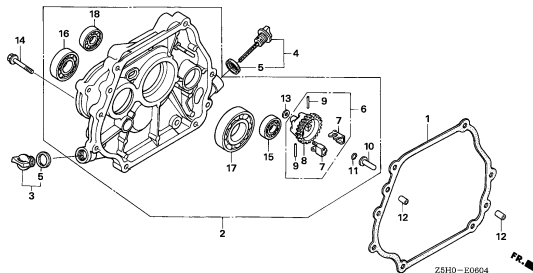


ZSH0-E0603

**E-6-4**

CRANKCASE COVER(5)

**D15**

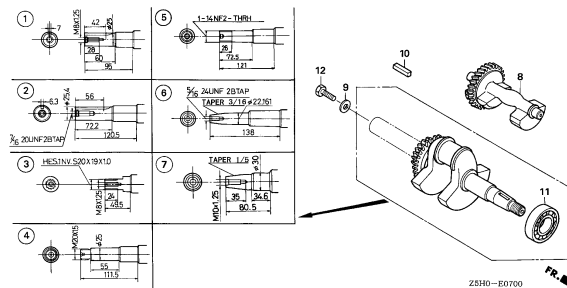


ZSH0-E0604

**E-7**

CRANKSHAFT

**D16**

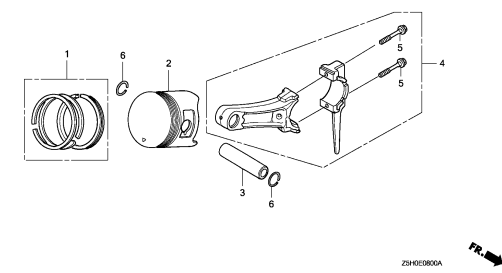


ZSH0-E0700

**E-8**

PISTON

**E 2**



ZSH0E080A

**2**

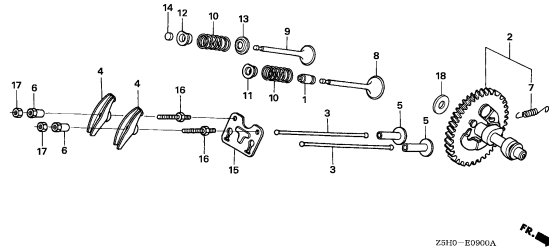
# ENGINE GROUP

**C 9**

**E-9**

**CAMSHAFT**

**E 6**

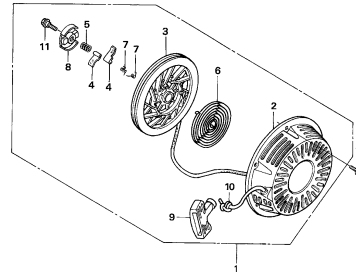


FR →

**E-11**

**RECOIL STARTER**

**E 9**

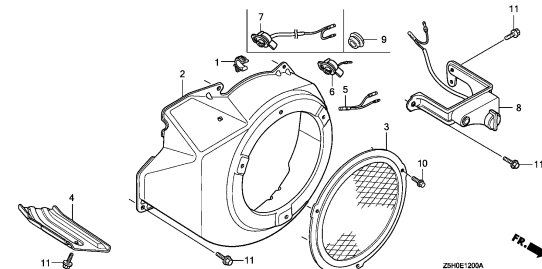


FR →

**E-12**

**FAN COVER**

**E14**

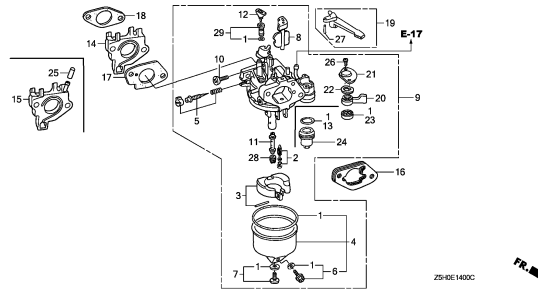


FR →

**E-14**

**CARBURETOR(1)**

**E16**

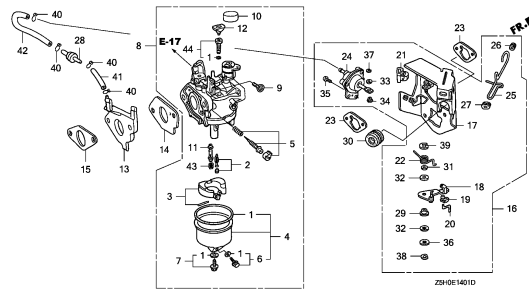


FR →

**E-14-1**

**CARBURETOR(2)**

**F 8**

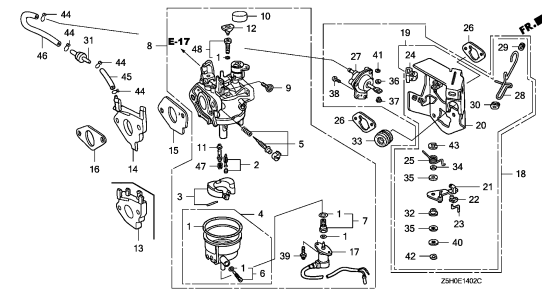


FR →

**E-14-2**

**CARBURETOR(3)**

**F11**

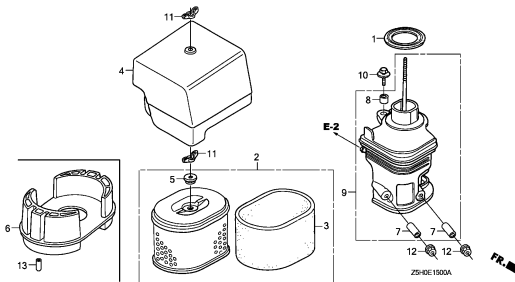


FR →

**E-15**

**AIR CLEANER(1)**

**F14**

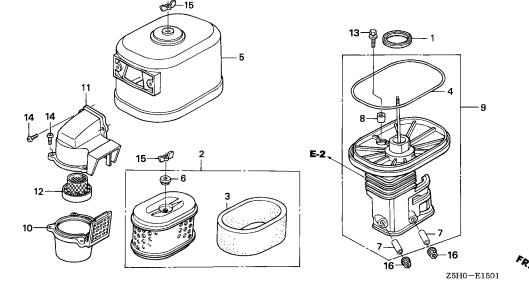


FR →

**E-15-1**

**AIR CLEANER(2)**

**F16**

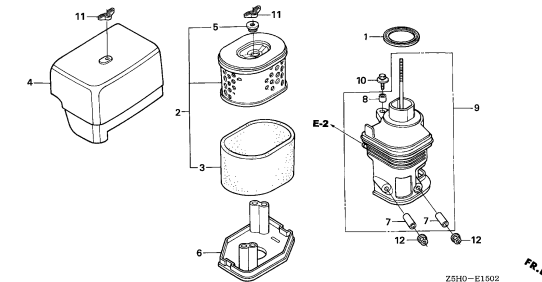


FR →

**E-15-2**

**AIR CLEANER(3)**

**G 1**



FR →

**2**

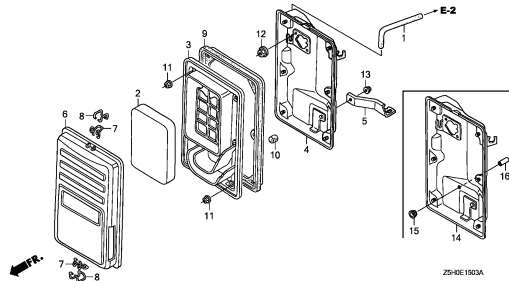
# ENGINE GROUP

C10

E-15-3

AIR CLEANER(4)

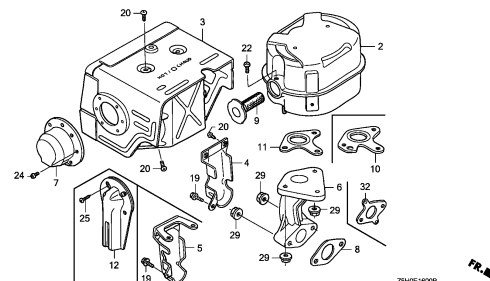
G 2



E-16

MUFFLER(1)

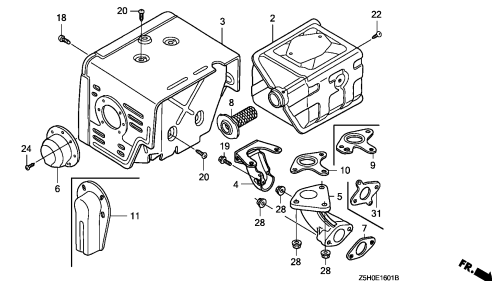
G 4



E-16-1

MUFFLER(2)

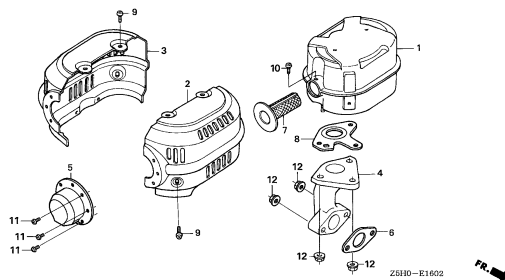
G 6



E-16-2

MUFFLER(3)

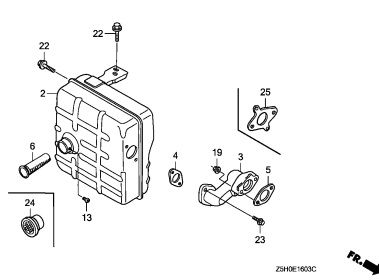
G 8



E-16-3

MUFFLER(4)

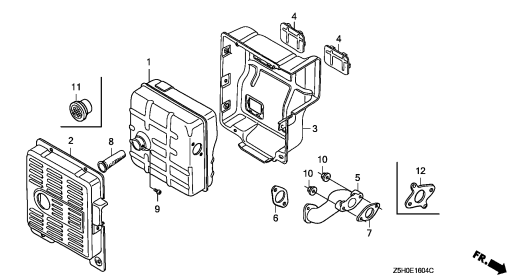
G 9



E-16-4

MUFFLER(5)

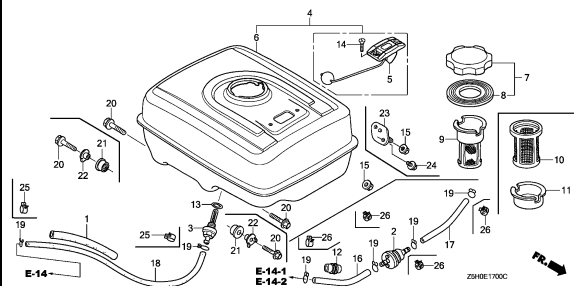
G10



E-17

FUEL TANK

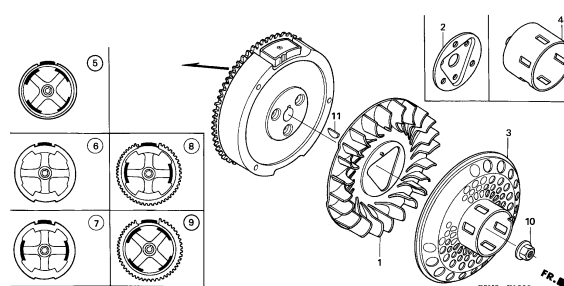
G11



E-19

FLYWHEEL

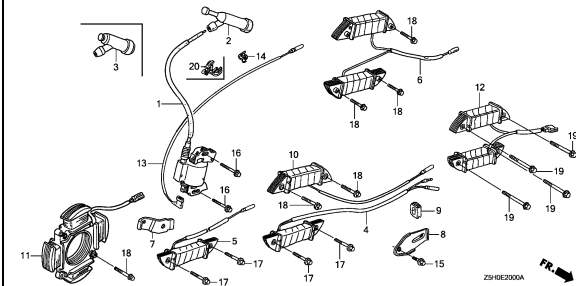
G16



E-20

IGNITION COIL

H 2



2

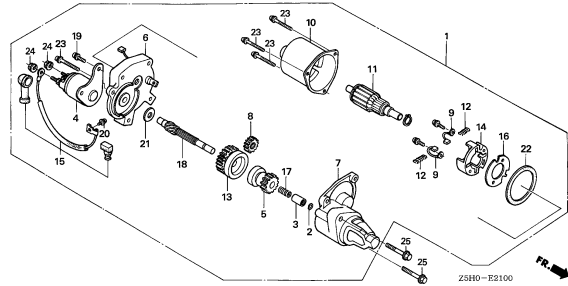
# ENGINE GROUP

**C11**

**E-21**

STARTER MOTOR

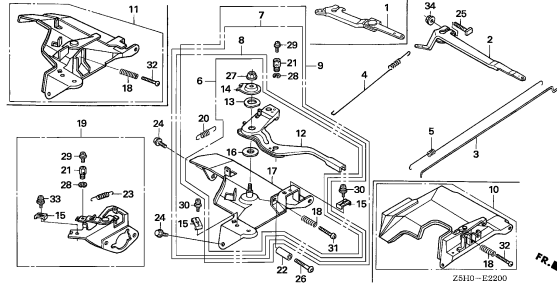
**H 5**



**E-22**

CONTROL

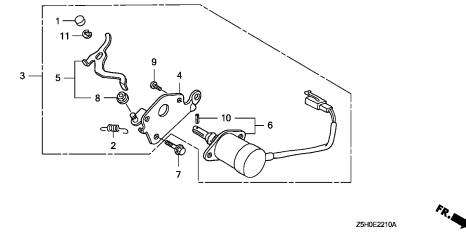
**H 8**



**E-22-10**

AUTO THROTTLE

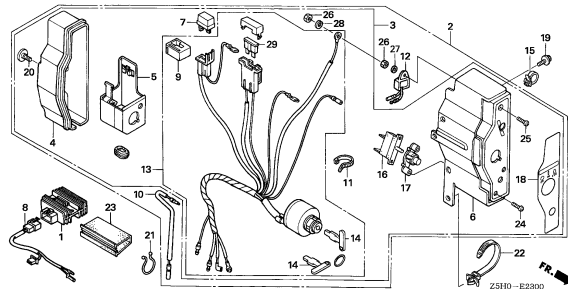
**H12**



**E-23**

CONTROL BOX(1)

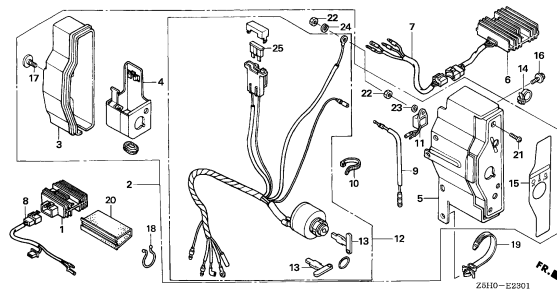
**H13**



**E-23-1**

CONTROL BOX(2)

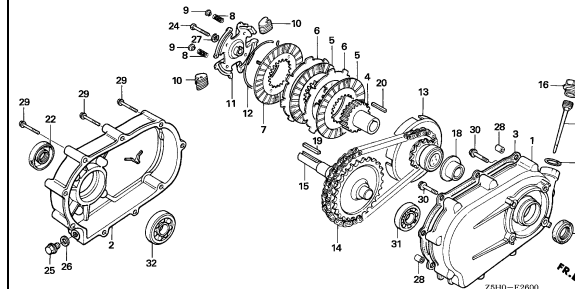
**H16**



**E-26**

REDUCTION(1)

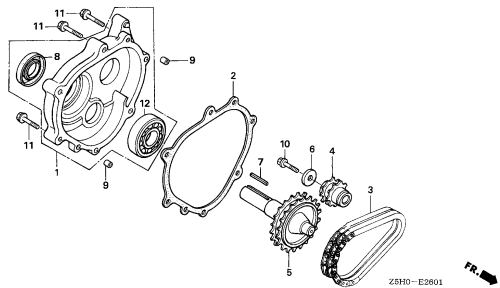
**I 2**



**E-26-1**

REDUCTION(2)

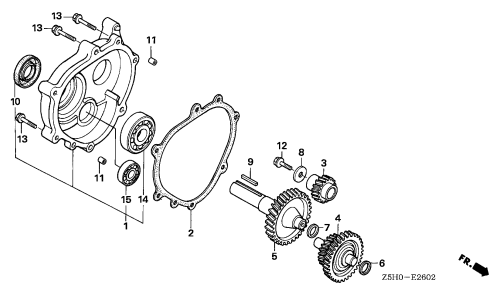
**I 4**



**E-26-2**

REDUCTION(3)

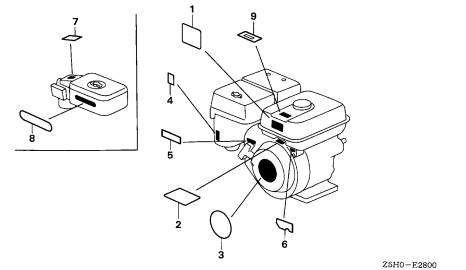
**I 5**



**E-28**

LABEL

**I 6**



**2**

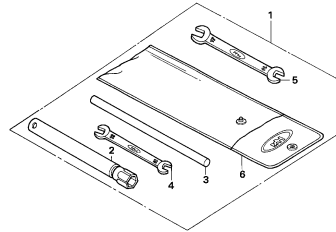
# ENGINE GROUP

**C12**

**E-29**

TOOL

**I 8**

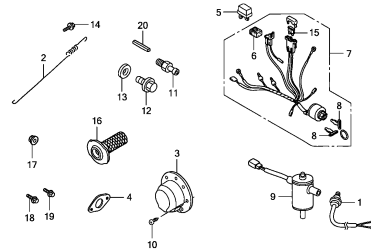


Z5H0-E2900

**E-40**

OTHER PARTS(1)

**I 9**

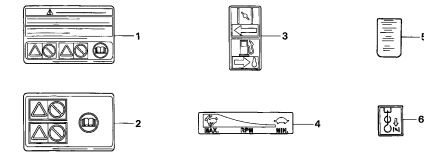


Z5-KE400C

**E-40-1**

OTHER PARTS(2)

**I10**

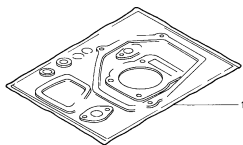


Z5H0-E4001A

**EOP-1**

GASKET KIT

**I11**

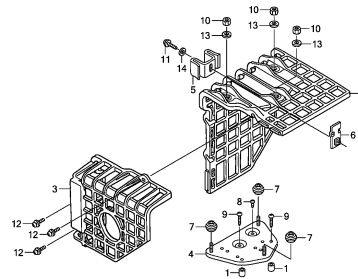


HEN0-K0003

**EOP-2**

MUFFLER COVER

**I12**



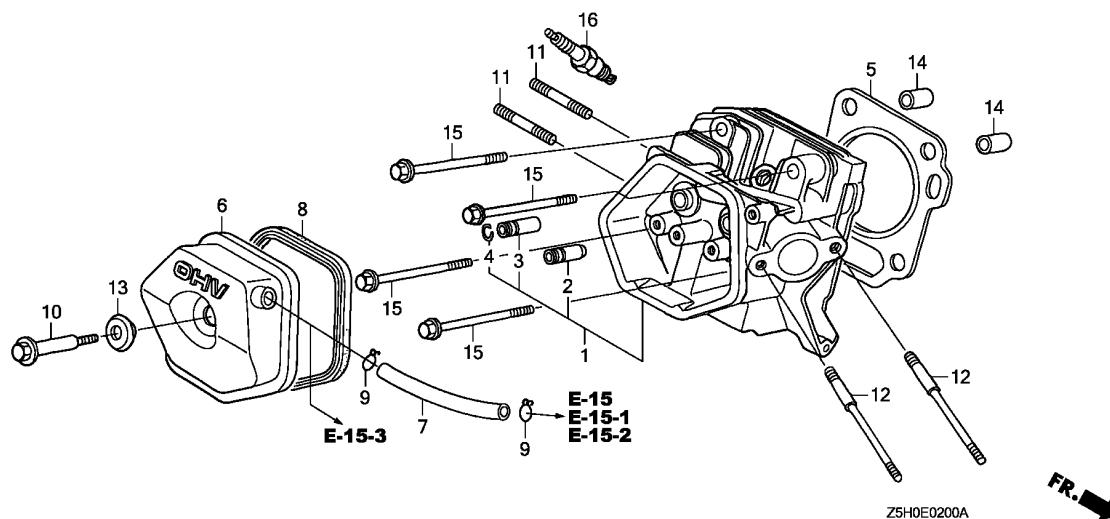
Z5-K00200

**2**

E-2

CYLINDER HEAD

D 1

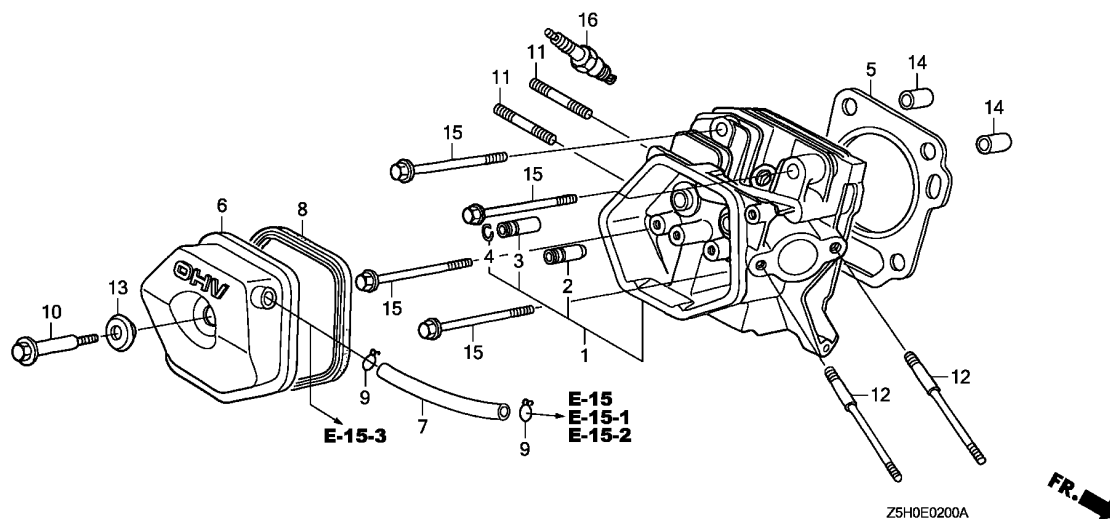


Ref. No.	L.O.N.	(Relative ref. Number) Description	F.R.T.
1	1111N3	HEAD, CYLINDER ..... .INCLUDES: Valve clearance adjustment and reface	0.9
2	1111E9	GUIDE, INTAKE VALVE ..... .INCLUDES: Valve clearance adjustment	0.8
	1111E9E	.Replace intake and exhaust all add .....	0.2
3	1111E8	GUIDE, EXHAUST VALVE ..... .INCLUDES: Valve clearance adjustment	0.8
	1111E8E	.Replace intake and exhaust all add .....	0.2
5	1111N4	GASKET, CYLINDER HEAD .....	0.5
6	1111D5	COVER, CYLINDER HEAD AND/OR PACKING, HEAD COVER .....	0.1
7	1111K5	TUBE, BREATHER .....	0.2
16	6141C1	PLUG, SPARK .....	0.1

Ref. No.	Part No.	Description	Reqd. QTY		Serial No.	Parts catalogue code
			GX 270 U	GX 270 R		
1	12200-ZH9-405	HEAD COMP., CYLINDER .....	1	1		
2	12204-ZE2-306	GUIDE, IN. VALVE (O.S.) .....	1	1		
3	12205-ZE2-305	GUIDE, EX. VALVE (O.S.) .....	1	1		
4	12216-ZE2-300	CLIP, VALVE GUIDE .....	1	1		
5	12251-ZH9-000	GASKET, CYLINDER HEAD .....	1	1		
6	12310-ZE2-020	COVER COMP., HEAD .....	1	-	-----	HA2,HEA2,HEA8,HXQ4,HX26,HX8,LXE8,LXQ4,LXU,PAE2,PA2,PXE8,PXU,PX26,QAE2,QAE6,QAG,QAG2,QAQ4,QAR2,QAW,QA2,QA26,QE,QHE4,QHQ4,QHR,QHR4,QH26,QKE3,QKE4,QME2,QSE2,QSE8,QXB,QXB6,QXB7,QXB9,QXE4,QXE6,QXE8,QXQ4,QXU,RA2,RHE4,RHG4,RHQ4,RH26,RSC2,RXQ4,RXU,SAX4,SE,SHQ4,SMC4,SME1,SME6,SMX2,SWA4,SWC4, SXB, SXB7, SXB9, SXEB, SXE4, SXE8, SXQ4, SXU, VAG2, VA2, VDE2, VE39, VKB2, VKE4, VKE9, VKQ4, VKX4, VKX9, VME2, VMS2, VMX2, VM2, VNG1, VNT2, VN17, VN19, VPE4, VPE5, VPE7, VPE9, VPX4, VPX5, VPX7, VPX9, VSD, VSD3, VSD9, VSH7, VSH9, VS37, VS39, VWA2, VWN2, VWT4, VW12, VXB, VXB7, VXB9, VXEB, VXE4, VXE6, VXE7, VXE9, VXQ4, VXU1, VX2, VX39, WMA4, WMT8
	12310-ZE3-791	COVER COMP., HEAD (BREATHER TUBE JOINT)	-	1	-----	QSC9,QWA4,QWH2,QXC4,QXC6,QXC9,VMA4,VME4
7	12315-ZE3-840	TUBE, BREATHER .....	1	-	-----	QSC9,QWA4,QWH2,QXC4,QXC6,QXC9,VMA4,VME4
	95005-11100-30	TUBE, 11X100(95005-11001-30M)	1	-	-----	HA2,HEA2,HEA8,HXQ4,HX26,HX8,LXE8,LXQ4,LXU,PAE2,PA2,PXE8,PXU,PX26,QAE2,QAE6,QAG,QAG2,QAQ4,QAR2,QAW,QA2,QA26,QE,QHE4,QHQ4,QHR,QHR4,QH26,QKE3,QKE4,QME2,QSE2,QSE8,QXB,QXB6,QXB7,QXB9,QXE4,QXE6,QXE8,QXQ4,QXU,RA2,RHE4,RHG4,RHQ4,RH26,RSC2,RXQ4,RXU,SAX4,SE,SHQ4,SMC4,SME1,SME6,SMX2,SWA4,SWC4, SXB, SXB7, SXB9, SXEB, SXE4, SXE8, SXQ4, SXU, VAG2, VA2, VDE2, VKB2, VKQ4, VME2, VM2, VNG1, VNT2, VN17, VN19, VSD, VSD7, VSD9, VSH7, VSH9, VWA2, VWN2, VWT4, VW12, VXB, VXB7, VXB9, VXEB, VXE4, VXE6, VXE7, VXE9, VXQ4, VXU1, VX2, WMA4, WMT8
8	12391-ZE2-020	PACKING, HEAD COVER .....	-	1		
			1	1		

2

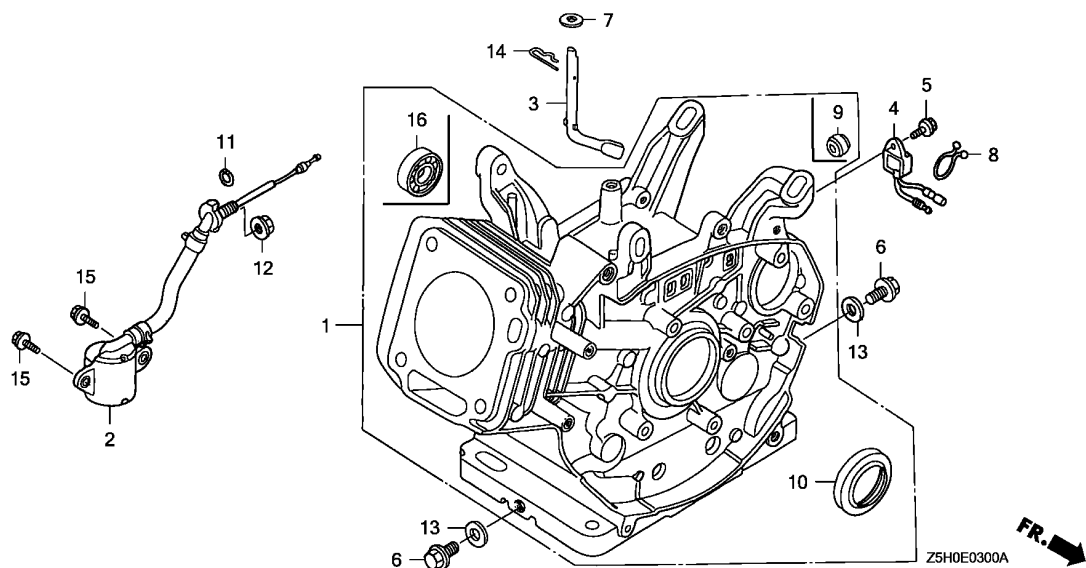




Ref. No.	Part No.	Description	Reqd. QTY		Serial No.	Parts catalogue code
			GX 270 U	GX 270 R		
9	17316-611-000	CLIP, BREATHER TUBE .....	2	-	-----	QSC9,QWA4,QWH2,QXC4,QXC6,QXC9,VMA4,VME4
10	90014-ZE2-000	BOLT, HEAD COVER .....	1	1	-----	
11	90018-ZK6-P10	BOLT, STUD, 8X22 .....	2	-	-----	VPE5,VPE9,VPX5,VPX9
	90047-ZE3-791	BOLT, STUD, 8X40 .....	2	-	-----	VMS2,VMX2
	92900-08032-0E	BOLT, STUD, 8X32 .....	2	-	-----	HA2,HEA2,HEA8,HXQ4,HX26,HX8,LXE8,LXQ4,LXU,PAE2,PA2,PXE8,PXU,PX26,QAE2,QAE6,QAG,QAG2,QAQ4,QAR2,QAW,QA2,QA26,QE,QHE4,QHQ4,QHR,QHR4,QH26,QKE3,QKE4,QME2,QSC9,QSE2,QSE8,QWA4,QWH2,QXB,QXB6,QXB7,QXB9,QXC4,QXC6,QXC9,QXE4,QXE6,QXE8,QXQ4,QXU,RA2,RHE4,RHG4,RHQ4,RH26,RSC2,RXQ4,RXU,SAX4,SE,SHQ4,SMC4,SME1,SME6,SMX2,SWA4,SWC4,SWB,SXB7,SXB9,SXEB,SXE4,SXE8,SXQ4,SXU,VAG2,VA2,VDE2,VE39,VKB2,VKE4,VKE9,VKQ4,VKX4,VKX9,VMA4,VME2,VME4,VM2,VNG1,VNT2,VN17,VN19,VPE4,VPE7,VPX4,VPX7,VSD,VSD3,VSD7,VSD9,VSH7,VSH9,VS37,VS39,VWA2,VWN2,VWT4,VW12,VXB,VXB7,VXB9,VXEB,VXE4,VXE6,VXE7,VXE9,VXQ4,VXU1,VX2,VX39,WMA4,WMT8
12	90042-ZE2-000	BOLT, STUD, 8X123 .....	-	2	-----	HA2,HEA2,HEA8,HXQ4,HX26,HX8,LXE8,LXQ4,LXU,PAE2,PA2,PXE8,PXU,PX26,QAE2,QAE6,QAG,QAG2,QAQ4,QAR2,QAW,QA2,QA26,QE,QHE4,QHQ4,QHR,QHR4,QH26,QKE3,QKE4,QME2,QSC9,QSE2,QSE8,QWA4,QWH2,QXB,QXB6,QXB7,QXB9,QXC4,QXC6,QXC9,QXE4,QXE6,QXE8,QXQ4,QXU,RA2,RHE4,RHG4,RHQ4,RH26,RSC2,RXQ4,RXU,SAX4,SE,SHQ4,SMC4,SME1,SME6,SMX2,SWA4,SWC4,SWB,SXB7,SXB9,SXEB,SXE4,SXE8,SXQ4,SXU,VAG2,VA2,VDE2,VKB2,VKQ4,VMA4,VME2,VME4,VM2,VNG1,VNT2,VN17,VN19,VSD,VSD7,VSD9,VSH7,VSH9,VWA2,VWN2,VWT4,VW12,VXB,VXB7,VXB9,VXEB,VXE4,VXE6,VXE7,VXE9,VXQ4,VXU1,VX2,WMA4,WMT8
	90042-ZE2-700	BOLT, STUD, 8X98 .....	-	2	-----	VE39,VKE4,VKE9,VKX4,VKX9,VMS2,VMX2,VPE4,VPE5,VPE7,VPE9,VPX4,VPX5,VPX7,VPX9,VSD3,VS37,VS39,VX39
13	90441-ZE2-010	WASHER COMP., HEAD COVER ....	1	1	-----	
14	94301-12200	DOWEL PIN, 12X20 .....	2	2	-----	

Ref. No.	Part No.	Description	Reqd. QTY		Serial No.	Parts catalogue code
			GX 270 U	GX 270 R		
15	95725-10080-00	BOLT, FLANGE, 10X80 .....	4	-	1179418	HA2,HEA2,HEA8,HXQ4,HX26,HX8,LXE8,LXQ4,LXU,PAE2,PA2,PXE8,PXU,PX26,QAE2,QAE6,QAG,QAG2,QAQ4,QAR2,QAW,QA2,QA26,QE,QHE4,QHQ4,QHR,QHR4,QH26,QKE3,QKE4,QME2,QSC9,QSE2,QSE8,QWA4,QWH2,QXB,QXB6,QXB7,QXB9,QXC4,QXC6,QXC9,QXE4,QXE6,QXE8,QXQ4,QXU,RA2,RHE4,RHQ4,RH26,RSC2,RXQ4,RXU,SAX4,SE,SHQ4,SMC4,SME1,SME6,SMX2,SWA4,SWC4,SWB,SWB7,SWB9,SWEB,SXE4,SXE8, SXQ4, SXU,VAG2,VA2,VDE2,VE39,VKB2,VKE4,VKE9,VKX4,VKX9,VMA4,VME2,VME4,VMS2,VMX2,VM2,VNG1,VNT2,VN17,VN19,VPE4,VPE5,VPE7,VPE9,VPX4,VPX5,VPX7,VPX9,VSD,VSD3,VSD7,VSD9,VSH7,VSH9,VS37,VS39,VWA2,VWN2,VWT4,VW12,VXB,VXB7,VXB9,VXEB,VXE4,VXE6,VXE7,VXE9,VXQ4,VXU1,VX2,VX39,WMA4,WMT8
	95701-10080-00	.....	4	-	1179419	RHG4,VKQ4 HA2,HEA2,HEA8,HXQ4,HX26,HX8,LXE8,LXQ4,LXU,PAE2,PA2,PXE8,PXU,PX26,QAE2,QAE6,QAG,QAG2,QAQ4,QAR2,QAW,QA2,QA26,QE,QHE4,QHQ4,QHR,QHR4,QH26,QKE3,QKE4,QME2,QSC9,QSE2,QSE8,QWA4,QWH2,QXB,QXB6,QXB7,QXB9,QXC4,QXC6,QXC9,QXE4,QXE6,QXE8,QXQ4,QXU,RA2,RHE4,RHQ4,RH26,RSC2,RXQ4,RXU,SAX4,SE,SHQ4,SMC4,SME1,SME6,SMX2,SWA4,SWC4,SWB,SWB7,SWB9,SWEB,SXE4,SXE8, SXQ4, SXU,VAG2,VA2,VDE2,VE39,VKB2,VKE4,VKE9,VKX4,VKX9,VMA4,VME2,VME4,VMS2,VMX2,VM2,VNG1,VNT2,VN17,VN19,VPE4,VPE5,VPE7,VPE9,VPX4,VPX5,VPX7,VPX9,VSD,VSD3,VSD7,VSD9,VSH7,VSH9,VS37,VS39,VWA2,VWN2,VWT4,VW12,VXB,VXB7,VXB9,VXEB,VXE4,VXE6,VXE7,VXE9,VXQ4,VXU1,VX2,VX39,WMA4,WMT8
			-	4		
16	98079-55846	PLUG, SPARK (BPR5ES)(NGK) ...	1	-		VE39,VKE4,VKE9,VKX4,VKX9,VPE4,VPE5,VPE7,VPE9,VPX4,VPX5,VPX7,VPX9,VSD3,VS37,VS39,VX39
			(1)	-		HA2,HEA2,HEA8,HXQ4,HX26,HX8,LXE8,LXQ4,LXU,PAE2,PA2,PXE8,PXU,PX26,QAE2,QAE6,QAG,QAG2,QAQ4,QAR2,QAW,QA2,QA26,QE,QHE4,QHQ4,QHR,QHR4,QH26,QSC9,QSE2,QSE8,QWA4,QWH2,QXB,QXB6,QXB7,QXB9,QXC4,QXC6,QXC9,QXE4,QXE6,QXE8,QXQ4,QXU,RA2,RHE4,RHG4,RHQ4,RH26,RSC2,RXQ4,RXU,SAX4,SE,SHQ4,SMX2,SWA4,SWC4,SWB,SWB7,SWB9,SWEB,SXE4,SXE8, SXQ4, SXU,VAG2,VA2,VDE2,VKB2,VKQ4,VMA4,VME2,VME4,VMS2,VMX2,VM2,VNG1,VNT2,VN17,VN19,VSD,VSD7,VSD9,VSH7,VSH9,VWA2,VWN2,VWT4,VW12,VXB,VXB7,VXB9,VXEB,VXE4,VXE6,VXE7,VXE9,VXQ4,VXU1,VX2,WMA4,WMT8
			-	(1)		
	98079-55855	PLUG, SPARK (W16EPR-U)(DENSO)	1	-		VE39,VKE4,VKE9,VKX4,VKX9,VPE4,VPE5,VPE7,VPE9,VPX4,VPX5,VPX7,VPX9,VSD3,VS37,VS39,VX39
			(1)	-		HA2,HEA2,HEA8,HXQ4,HX26,HX8,LXE8,LXQ4,LXU,PAE2,PA2,PXE8,PXU,PX26,QAE2,QAE6,QAG,QAG2,QAQ4,QAR2,QAW,QA2,QA26,QE,QHE4,QHQ4,QHR,QHR4,QH26,QSC9,QSE2,QSE8,QWA4,QWH2,QXB,QXB6,QXB7,QXB9,QXC4,QXC6,QXC9,QXE4,QXE6,QXE8,QXQ4,QXU,RA2,RHE4,RHG4,RHQ4,RH26,RSC2,RXQ4,RXU,SAX4,SE,SHQ4,SMX2,SWA4,SWC4,SWB,SWB7,SWB9,SWEB,SXE4,SXE8, SXQ4, SXU,VAG2,VA2,VDE2,VKB2,VKQ4,VMA4,VME2,VME4,VMS2,VMX2,VM2,VNG1,VNT2,VN17,VN19,VSD,VSD7,VSD9,VSH7,VSH9,VWA2,VWN2,VWT4,VW12,VXB,VXB7,VXB9,VXEB,VXE4,VXE6,VXE7,VXE9,VXQ4,VXU1,VX2,WMA4,WMT8
			-	(1)		
	98079-56846	PLUG, SPARK (BPR6ES)(NGK) ...	1	-		HA2,HEA2,HEA8,HXQ4,HX26,HX8,LXE8,LXQ4,LXU,PAE2,PA2,PXE8,PXU,PX26,QAE2,QAE6,QAG,QAG2,QAQ4,QAR2,QAW,QA2,QA26,QE,QHE4,QHQ4,QHR,QHR4,QH26,QKE3,QKE4,QME2,QSC9,QSE2,QSE8,QWA4,QWH2,QXB,QXB6,QXB7,QXB9,QXC4,QXC6,QXC9,QXE4,QXE6,QXE8,QXQ4,QXU,RA2,RHE4,RHG4,RHQ4,RH26,RSC2,RXQ4,RXU,SAX4,SE,SHQ4,SMC4,SME1,SME6,SMX2,SWA4,SWC4,SWB,SWB7,SWB9,SWEB,SXE4,SXE8, SXQ4, SXU,VAG2,VA2,VDE2,VKB2,VKQ4,VMA4,VME2,VME4,VMS2,VMX2,VM2,VNG1,VNT2,VN17,VN19,VSD,VSD7,VSD9,VSH7,VSH9,VWA2,VWN2,VWT4,VW12,VXB,VXB7,VXB9,VXEB,VXE4,VXE6,VXE7,VXE9,VXQ4,VXU1,VX2,WMA4,WMT8
			-	1		
	98079-56855	PLUG, SPARK (W20EPR-U)(DENSO)	1	-		HA2,HEA2,HEA8,HXQ4,HX26,HX8,LXE8,LXQ4,LXU,PAE2,PA2,PXE8,PXU,PX26,QAE2,QAE6,QAG,QAG2,QAQ4,QAR2,QAW,QA2,QA26,QE,QHE4,QHQ4,QHR,QHR4,QH26,QSC9,QSE2,QSE8,QWA4,QWH2,QXB,QXB6,QXB7,QXB9,QXC4,QXC6,QXC9,QXE4,QXE6,QXE8,QXQ4,QXU,RA2,RHE4,RHG4,RHQ4,RH26,RSC2,RXQ4,RXU,SAX4,SE,SHQ4,SMX2,SWA4,SWC4,SWB,SWB7,SWB9,SWEB,SXE4,SXE8, SXQ4, SXU,VAG2,VA2,VDE2,VKB2,VKQ4,VMA4,VME2,VME4,VMS2,VMX2,VM2,VNG1,VNT2,VN17,VN19,VSD,VSD7,VSD9,VSH7,VSH9,VWA2,VWN2,VWT4,VW12,VXB,VXB7,VXB9,VXEB,VXE4,VXE6,VXE7,VXE9,VXQ4,VXU1,VX2,WMA4,WMT8
			-	1		



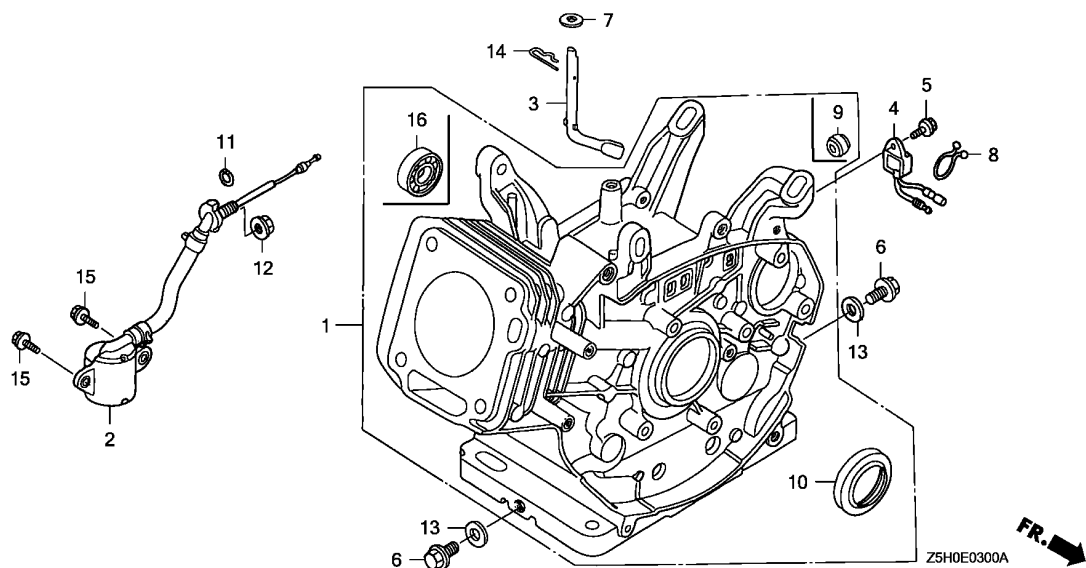


Ref. No.	L.O.N.	(Relative ref. Number) Description	F.R.T.
1	1101A0	BARREL, CYLINDER .....	1.8
2	(11)		
	6151E8	SWITCH, OIL LEVEL .....	0.5
	3	1161B4 SHAFT, GOVERNOR ARM .....	1.1
	4	6151A0 ALERT UNIT, ENGINE OIL .....	0.1
	10	1101E4 OIL SEAL, CRANKSHAFT :FRONT ..	1.1
	13	1101D5 WASHER, DRAIN PLUG .....	0.1
	16	1101F4 BEARING, BALANCER WEIGHT :FRONT .....	1.9

Ref. No.	Part No.	Description	Reqd. QTY		Serial No.	Parts catalogue code
			GX 270 U	GX 270 R		
1	12000-ZH9-Q00	BARREL ASSY., CYLINDER (BALANCER+ALERT)	1	1	-----	HA2, PA2, QAG, QAQ4, QAR2, QAW, QA2, QA26, RA2, RSC2, VA2, VMX2, VM2, VNT2, VWA2, VWN2, VW12
	12000-ZH9-Q10	BARREL ASSY., CYLINDER (BALANCER+SELFSTARTER+ALERT)	1	1	-----	HEA2, HEA8, PAE2, QAE2, QAE6, QSC9, QXB6, VDE2, VKB2, VME2, VMS2
	12000-ZH9-405	BARREL ASSY., CYLINDER (STD.)	1	-	-----	QE, QHQ4, QHR, QH26, RHG4, RHQ4, RH26, SE, SHQ4, VKQ4
	12000-ZH9-406	BARREL ASSY., CYLINDER (ALERT)	1	-	-----	HXQ4, HX26, HX8, LXQ4, LXU, PXU, PX26, QAG2, QWA4, QWH2, QXB, QXB7, QXB9, QXC4, QXC6, QXC9, QXQ4, QXU, RXQ4, RXU, SMC4, SME6, SMX2, SWA4, SWC4, SXB, SXB7, SXB9, SXQ4, SXU, VAG2, VKX4, VKX9, VMA4, VNG1, VN17, VN19, VPX4, VPX5, VPX7, VPX9, VSD, VSD3, VSD7, VSD9, VSH7, VSH9, VS37, VS39, VXB, VXB7, VXB9, VXQ4, VXU1, VX2, VX39, WMT8
	12000-ZH9-407	BARREL ASSY., CYLINDER (SELFSTARTER+ALERT)	1	-	-----	LXE8, PXE8, QKE3, QKE4, QME2, QSE2, QSE8, QXE4, QXE6, QXE8, SME1, SXEB, SXE4, SXE8, VE39, VKE4, VKE9, VME4, VPE4, VPE5, VPE7, VPE9, VWT4, VXEB, VXE4, VXE6, VXE7, VXE9, WMA4
	12000-ZH9-408	BARREL ASSY., CYLINDER (SELF-STARTER)	1	-	-----	QHE4, QHR4, RHE4
	12000-ZH9-409	BARREL ASSY., CYLINDER (BALANCER)	1	-	-----	SAX4
2	15510-ZE2-043	SWITCH ASSY., OIL LEVEL .....	1	-	-----	LXE8, LXU, QAG2, QA26, QKE3, QSE2, QSE8, QWA4, QXB, QXE6, QXQ4, QXU, SXB, SXEB, SXE8, SXQ4, SXU, VE39, VKE4, VKE9, VKX9, VME2, VNG1, VPE9, VPX7, VSD, VSD3, VS39, VXEB, VXU1, VX39
			1	-	1182907	HA2, HEA2, HEA8, HXQ4, HX26, HX8, LXQ4, PAE2, PA2, PXE8, PXU, PX26, QAE2, QAE6, QAG, QAQ4, QAR2, QAW, QA2, QKE4, QME2, QSC9, QWH2, QXB6, QXB7, QXB9, QXC4, QXC6, QXC9, QXE4, QXE8, RA2, RSC2, RXQ4, RXU, SMC4, SME1, SME6, SMX2, SWA4, SWC4, SXB7, SXB9, SXE4, VAG2, VA2, VDE2, VKB2, VKX4, VMA4, VME4, VMS2, VMX2, VM2, VNT2, VN17, VN19, VPE4, VPE5, VPE7, VPX4, VPX5, VPX9, VSD7, VSD9, VSH7, VSH9, VS37, VWA2, VWN2, VWT4, VW12, VXB, VXB7, VXB9, VXE4, VXE6, VXE7, VXE9, VXQ4, VX2, WMA4, WMT8

Ref. No.	Part No.	Description	Reqd. QTY		Serial No.	Parts catalogue code
			GX 270 U	GX 270 R		
(2)	15510-ZE2-053	SWITCH ASSY., OIL LEVEL .....	1	-	1182908	----- HA2,HEA2,HEA8,HXQ4,HX26,HX8,LXQ4,PAE2,PA2,PXE8,PXU,PX26,QAE2,QAE6,QAGQAQ4,QAR2,QAW,QA2,QKE4,QME2,QSC9,QWH2,QXB6,QXB7,QXB9,QXC4,QXC6,QXC9,QXE4,QXE8,RA2,RSC2,RXQ4,RXU,SMC4,SME1,SME6,SMX2,SWA4,SWC4,SWB7,SWB9,SXE4,VAG2,VA2,VDE2,VKB2,VKX4,VMA4,VME4,VMS2,VMX2,VM2,VNT2,VN17,VN19,VPE4,VPE5,VPE7,VPX4,VPX5,VPX9,VSD7,VSD9,VSH7,VSH9,VS37,VWA2,VWN2,VWT4,VW12,VXB,VXB7,VXB9,VXE4,VXE6,VXE7,VXE9,VXQ4,VX2,WMA4,WMT8
			-	1		
3	16541-ZE2-010	SHAFT, GOVERNOR ARM .....	1	1		
4	34150-ZH7-003	ALERT UNIT, OIL .....	1	-	-----	----- LXU,QAG2,QA26,QKE3,QWA4,QXB,QXQ4,QXU,SXB,SXQ4,SXU,VE39,VKE4,VKE9,VKX9VNG1,VPE9,VPX7,VSD,VSD3,VS39,VXU1,VX39
			1	-	1185318	----- HA2,HXQ4,HX26,HX8,LXQ4,PA2,PXU,PX26,QAG,QAQ4,QAR2,QAW,QA2,QKE4,QWH2QXB7,QXB9,QXC4,QXC6,QXC9,RA2,RSC2,RXQ4,RXU,SMC4,SME6,SMX2,SWA4,SWC4SWB7,SWB9,VAG2,VA2,VKX4,VMA4,VME4,VMX2,VM2,VNT2,VN17,VN19,VPE4,VPE5VPE7,VPX4,VPX5,VPX9,VSD7,VSD9,VSH7,VSH9,VS37,VWA2,VWN2,VWT4,VW12,VXBVXB7,VXB9,VXQ4,VX2,WMT8
	34150-ZH7-013	.....	1	-	1185319	----- HA2,HXQ4,HX26,HX8,LXQ4,PA2,PXU,PX26,QAG,QAQ4,QAR2,QAW,QA2,QKE4,QWH2QXB7,QXB9,QXC4,QXC6,QXC9,RA2,RSC2,RXQ4,RXU,SMC4,SME6,SMX2,SWA4,SWC4SWB7,SWB9,VAG2,VA2,VKX4,VMA4,VME4,VMX2,VM2,VNT2,VN17,VN19,VPE4,VPE5VPE7,VPX4,VPX5,VPX9,VSD7,VSD9,VSH7,VSH9,VS37,VWA2,VWN2,VWT4,VW12,VXBVXB7,VXB9,VXQ4,VX2,WMT8
			-	1	-----	----- RSC2,VWN2
5	90013-883-000	BOLT, FLANGE, 6X12(CT200) ...	1	1	-----	----- HA2,HXQ4,HX26,HX8,LXQ4,LXU,PA2,PXU,PX26,QAG,QAQ2,QAQ4,QAR2,QAW,QA2QA26,QKE3,QKE4,QWA4,QWH2,QXB,QXB7,QXB9,QXC4,QXC6,QXC9,QXQ4,QXU,RA2RSC2,RXQ4,RXU,SMC4,SME6,SMX2,SWA4,SWC4,SWB7,SWB9,SXQ4,SXU,VAG2VA2,VE39,VKE4,VKE9,VKX4,VKX9,VMA4,VME4,VMX2,VM2,VNG1,VNT2,VN17,VN19VPE4,VPE5,VPE7,VPE9,VPX4,VPX5,VPX7,VPX9,VSD,VSD3,VSD7,VSD9,VSH7,VSH9VS37,VS39,VWA2,VWN2,VWT4,VW12,VXB,VXB7,VXB9,VXQ4,VXU1,VX2,VX39,WMT8
6	90131-883-000	BOLT, DRAIN PLUG, 12X15 .....	2	2		
7	90446-KE1-000	WASHER, 8.2X17X0.8 .....	1	1		
8	90630-751-000	CLIP, PURSE LOCK .....	1	-	-----	----- VSD3,VS37,VS39
9	90801-ZE2-003	PLUG, SEALING (RUBBER 10MM) ..	1	-	1078430	----- QE,QHE4,QHQ4,QHR,QHR4,QH26,RHE4,RHQ4,RH26,SE,SHQ4
10	91201-890-003	OIL SEAL, 30X46X8 .....	1	1		
11	91353-671-004	O-RING, 14MM(NOK) .....	1	-	-----	----- HA2,HEA2,HEA8,HXQ4,HX26,HX8,LXE8,LXQ4,LXU,PAE2,PA2,PXE8,PXU,PX26,QAE2QAE6,QAG,QAQ2,QAQ4,QAR2,QAW,QA2,QA26,QKE3,QKE4,QME2,QSC9,QSE2,QSE8QWA4,QWH2,QXB,QXB6,QXB7,QXB9,QXC4,QXC6,QXC9,QXE4,QXE6,QXE8,QXQ4,QXURAZ,RSC2,RXQ4,RXU,SMC4,SME1,SME6,SMX2,SWA4,SWC4,SWB7,SWB9,SWEB SXE4,SXE8,SXQ4,SXU,VAG2,VA2,VDE2,VE39,VKB2,VKE4,VKE9,VKX4,VKX9,VMA4VME2,VME4,VMS2,VMX2,VM2,VNG1,VNT2,VN17,VN19,VPE4,VPE5,VPE7,VPE9,VPX4VPX5,VPX7,VPX9,VSD,VSD3,VSD7,VSD9,VSH7,VSH9,VS37,VS39,VWA2,VWN2,VWT4VW12,VXB,VXB7,VXB9,VXEB,VXE4,VXE6,VXE7,VXE9,VXQ4,VXU1,VX2,VX39,WMA4WMT8
			-	1	-----	----- HA2,HEA2,HEA8,HXQ4,HX26,HX8,LXE8,LXQ4,LXU,PAE2,PA2,PXE8,PXU,PX26,QAE2QAE6,QAG,QAQ2,QAQ4,QAR2,QAW,QA2,QA26,QKE3,QKE4,QME2,QSC9,QSE2,QSE8QWA4,QWH2,QXB,QXB6,QXB7,QXB9,QXC4,QXC6,QXC9,QXE4,QXE6,QXE8,QXQ4,QXURAZ,RSC2,RXQ4,RXU,SMC4,SME1,SME6,SMX2,SWA4,SWC4,SWB7,SWB9,SWEB SXE4,SXE8,SXQ4,SXU,VAG2,VA2,VDE2,VE39,VKB2,VKE4,VKE9,VKX4,VKX9,VMA4VME2,VME4,VMS2,VMX2,VM2,VNG1,VNT2,VN17,VN19,VPE4,VPE5,VPE7,VPE9,VPX4VPX5,VPX7,VPX9,VSD,VSD3,VSD7,VSD9,VSH7,VSH9,VS37,VS39,VWA2,VWN2,VWT4VW12,VXB,VXB7,VXB9,VXEB,VXE4,VXE6,VXE7,VXE9,VXQ4,VXU1,VX2,VX39,WMA4WMT8
12	94050-10000	NUT, FLANGE, 10MM .....	1	-	-----	----- HA2,HEA2,HEA8,HXQ4,HX26,HX8,LXE8,LXQ4,LXU,PAE2,PA2,PXE8,PXU,PX26,QAE2QAE6,QAG,QAQ2,QAQ4,QAR2,QAW,QA2,QA26,QKE3,QKE4,QME2,QSC9,QSE2,QSE8QWA4,QWH2,QXB,QXB6,QXB7,QXB9,QXC4,QXC6,QXC9,QXE4,QXE6,QXE8,QXQ4,QXURAZ,RSC2,RXQ4,RXU,SMC4,SME1,SME6,SMX2,SWA4,SWC4,SWB7,SWB9,SWEB SXE4,SXE8,SXQ4,SXU,VAG2,VA2,VDE2,VE39,VKB2,VKE4,VKE9,VKX4,VKX9,VMA4VME2,VME4,VMS2,VMX2,VM2,VNG1,VNT2,VN17,VN19,VPE4,VPE5,VPE7,VPE9,VPX4VPX5,VPX7,VPX9,VSD,VSD3,VSD7,VSD9,VSH7,VSH9,VS37,VS39,VWA2,VWN2,VWT4VW12,VXB,VXB7,VXB9,VXEB,VXE4,VXE6,VXE7,VXE9,VXQ4,VXU1,VX2,VX39,WMA4WMT8
			-	1		
13	94109-12000	WASHER, DRAIN PLUG, 12MM .....	2	2		
14	94251-10000	PIN, LOCK, 10MM .....	1	1		

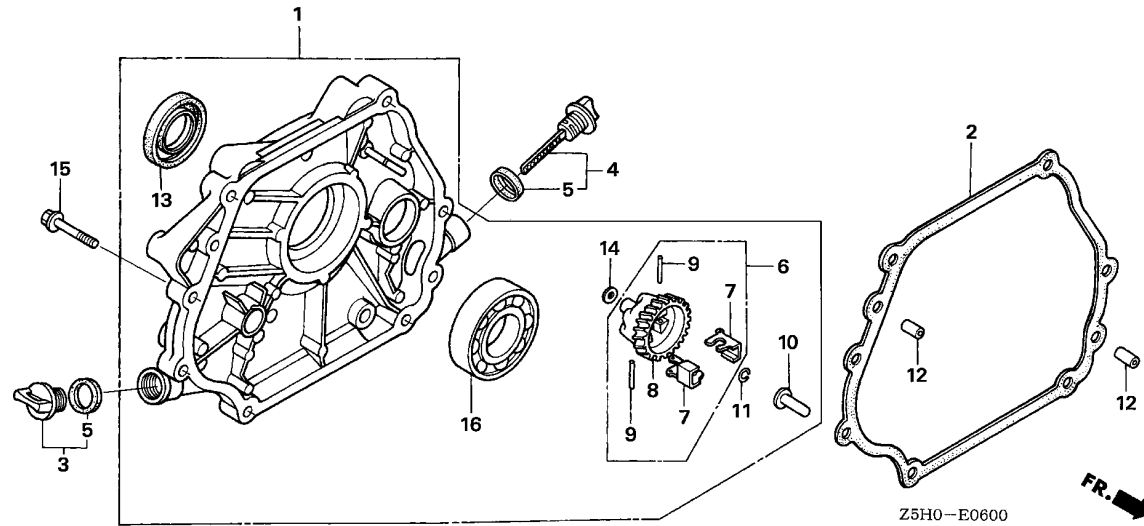




Ref. No.	Part No.	Description	Reqd. QTY		Serial No.	Parts catalogue code
			GX 270 U	GX 270 R		
15	95701-06012-00	BOLT, FLANGE, 6X12 .....	2	-	-----	HA2,HEA2,HEA8,HXQ4,HX26,HX8,LXE8,LXQ4,LXU,PAE2,PA2,PXE8,PXU,PX26,QAE2,QAE6,QAG,QAG2,QAQ4,QAR2,QAW,QA2,QA26,QKE3,QKE4,QME2,QSC9,QSE2,QSE8,QWA4,QWH2,QXB,QXB6,QXB7,QXB9,QXC4,QXC6,QXC9,QXE4,QXE6,QXE8,QXQ4,QXU,RA2,RSC2,RXQ4,RXU,SMC4,SME1,SME6,SMX2,SWA4,SWC4, SXB, SXB7, SXB9, SXEB, SXE4, SXE8, SXQ4, SXU, VAG2, VA2, VDE2, VE39, VKB2, VKE4, VKE9, VKX4, VKX9, VMA4, VME2, VME4, VMS2, VMX2, VM2, VNG1, VNT2, VN17, VN19, VPE4, VPE5, VPE7, VPE9, VPX4, VPX5, VPX7, VPX9, VSD, VSD3, VSD7, VSD9, VSH7, VSH9, VS37, VS39, VWA2, VWN2, VWT4, VW12, VXB, VXB7, VXB9, VXEB, VXE4, VXE6, VXE7, VXE9, VXQ4, VXU1, VX2, VX39, WMA4, WMT8
			-	2		
16	96100-62020-00	BEARING, RADIAL BALL, 6202 ..	1	-	-----	HA2,HEA2,HEA8,PAE2,PA2,QAE2,QAE6,QAG,QAQ4,QAR2,QAW,QA2,QA26,QSC9,QXB6,RA2,RSC2,SAX4,VA2,VDE2,VKB2,VME2,VMS2,VMX2,VM2,VNT2,VWA2,VWN2,VW12
			-	1		

E-6

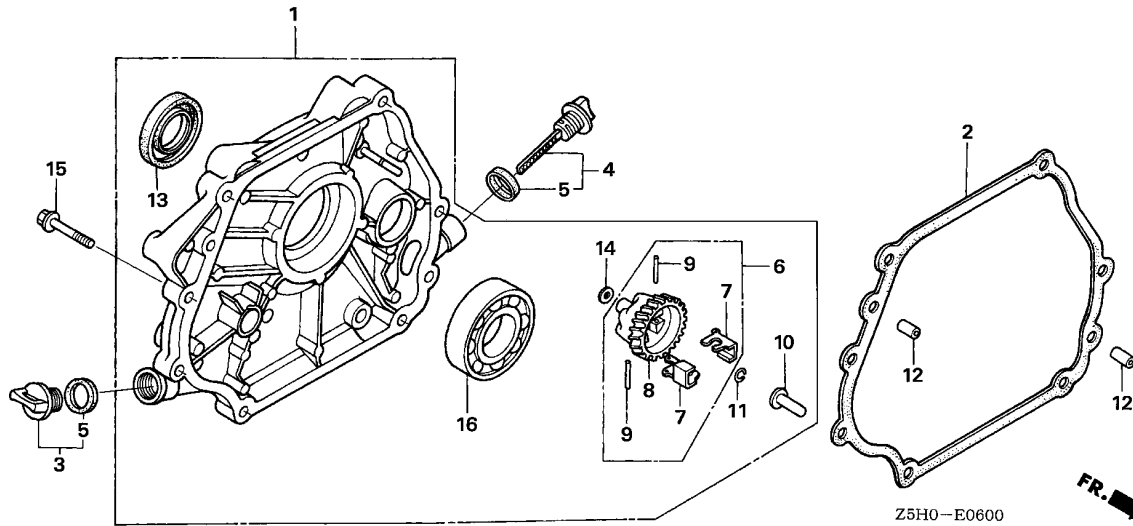
CRANKCASE COVER(1)



Ref. No.	L.O.N.	(Relative ref. Number) Description	F.R.T.
1	1101F1	COVER, CRANKCASE .....	0.2
2	1101E9	PACKING, CRANKCASE COVER .....	0.2
6	1161C4	GOVERNOR ASSEMBLY .....	0.3
8		(7,9)	
	1161A7	HOLDER, GOVERNOR WEIGHT .....	0.3
10	1161B6	SLIDER, GOVERNOR .....	0.3
13	1101E5	OIL SEAL, CRANKSHAFT :REAR ...	0.3
16	1101A6	BEARING, CRANKSHAFT :REAR ....	0.4

Ref. No.	Part No.	Description	Reqd. QTY		Serial No.	Parts catalogue code
			GX 270 U	GX 270 R		
1	11300-ZE2-020	COVER ASSY., CRANKCASE .....	1	-	-----	RHE4,RHG4,RHQ4,RH26,RXQ4,RXU,SE,SHQ4,SMC4,SME1,SME6,SWA4,SWC4,SXB SXB7,SXB9,SXEB,SXE4,SXE8,SXQ4,SXU,VKQ4,VMA4,VME4
	11300-ZE2-602	.....	1	-	-----	PXE8,PXU,PX26,QAG2,QE,QHE4,QHQ4,QHR,QHR4,QH26,QKE3,QKE4,QME2,QSE2 QSE8,QWA4,QWH2,QXB,QXB7,QXB9,QXC4,QXC6,QXC9,QXE4,QXE6,QXE8,QXQ4,QXU VAG2,VKE4,VKE9,VKX4,VKX9,VNG1,VN17,VN19,VPE7,VPX7,VSD,VSD3,VSD7,VSD9 VSH7,VSH9,VS37,VS39,VWT4,VXB,VXEB,VXE4,VXE6,VXQ4,VXU1,VX2
	11300-ZE2-632	.....	1	-	-----	WMA4,WMT8
	11300-ZH9-S50	.....	1	-	-----	SMX2
2	11381-ZE2-801	PACKING, CASE COVER .....	1	-	-----	PXE8,PXU,PX26,QAG2,QE,QHE4,QHQ4,QHR,QHR4,QH26,QKE3,QKE4,QME2,QSE2 QSE8,QWA4,QWH2,QXB,QXB7,QXB9,QXC4,QXC6,QXC9,QXE4,QXE6,QXE8,QXQ4,QXU RHE4,RHG4,RHQ4,RH26,RXQ4,RXU,SE,SHQ4,SMC4,SME1,SME6,SMX2,SWA4,SWC4 SXB,SXB7,SXB9,SXEB,SXE4,SXE8,SXQ4,SXU,VAG2,VKE4,VKE9,VKQ4,VKX4,VKX9 VMA4,VME4,VNG1,VN17,VN19,VPE7,VPX7,VSD,VSD3,VSD7,VSD9,VSH7,VSH9,VS37 VS39,VWT4,VXB,VXEB,VXE4,VXE6,VXQ4,VXU1,VX2,WMA4,WMT8
3	15600-ZG4-003	CAP ASSY., OIL FILLER .....	1	-	-----	PXE8,PXU,PX26,QAG2,QE,QHE4,QHQ4,QHR,QHR4,QH26,QKE3,QKE4,QME2,QSE2 QSE8,QWA4,QWH2,QXB,QXB7,QXB9,QXC4,QXC6,QXC9,QXE4,QXE6,QXE8,QXQ4,QXU RHE4,RHG4,RHQ4,RH26,RXQ4,RXU,SE,SHQ4,SMC4,SME1,SME6,SMX2,SWA4,SWC4 SXB,SXB7,SXB9,SXEB,SXE4,SXE8,SXQ4,SXU,VAG2,VKE4,VKE9,VKQ4,VKX4,VKX9 VMA4,VME4,VNG1,VN17,VN19,VPE7,VPX7,VSD,VSD3,VSD7,VSD9,VSH7,VSH9,VS37 VS39,VWT4,VXB,VXEB,VXE4,VXE6,VXQ4,VXU1,VX2,WMA4,WMT8
4	15600-735-003	CAP ASSY., OIL FILLER .....	1	-	-----	PXE8,PXU,PX26,QAG2,QE,QHE4,QHQ4,QHR,QHR4,QH26,QKE3,QKE4,QME2,QSE2 QSE8,QWA4,QWH2,QXB,QXB7,QXB9,QXC4,QXC6,QXC9,QXE4,QXE6,QXE8,QXQ4,QXU RHE4,RHG4,RHQ4,RH26,RXQ4,RXU,SE,SHQ4,SMC4,SME1,SME6,SMX2,SWA4,SWC4 SXB,SXB7,SXB9,SXEB,SXE4,SXE8,SXQ4,SXU,VAG2,VKE4,VKE9,VKQ4,VKX4,VKX9 VMA4,VME4,VNG1,VN17,VN19,VPE7,VPX7,VSD,VSD3,VSD7,VSD9,VSH7,VSH9,VS37 VS39,VWT4,VXB,VXEB,VXE4,VXE6,VXQ4,VXU1,VX2,WMA4,WMT8





Ref. No.	Part No.	Description	Reqd. QTY		Serial No.	Parts catalogue code
			GX 270 U	GX 270 R		
5	15625-ZE1-003	PACKING, OIL FILLER CAP .....	2	-	-----	PXE8,PXU,PX26,QAG2,QE,QHE4,QHQ4,QHR,QHR4,QH26,QKE3,QKE4,QME2,QSE2,QSE8,QWA4,QWH2,QXB,QXB7,QXB9,QXC4,QXC6,QXC9,QXE4,QXE6,QXE8,QXQ4,QXRHE4,RHG4,RHQ4,RH26,RXQ4,RXU,SE,SHQ4,SMC4,SME1,SME6,SMX2,SWA4,SWC4,SXB,SXB7,SXB9,SXEB,SXE4,SXE8,SXQ4,SXU,VAG2,VKE4,VKE9,VKQ4,VKX4,VKX9,VMA4,VME4,VNG1,VN17,VN19,VPE7,VPX7,VSD,VSD3,VSD7,VSD9,VSH7,VSH9,VS37,VS39,VWT4,VXB,VXEB,VXE4,VXE6,VXQ4,VXU1,VX2,WMA4,WMT8
6	16510-ZE2-000	GOVERNOR ASSY. ....	1	-	-----	PXE8,PXU,PX26,QAG2,QE,QHE4,QHQ4,QHR,QHR4,QH26,QKE3,QKE4,QME2,QSE2,QSE8,QWA4,QWH2,QXB,QXB7,QXB9,QXC4,QXC6,QXC9,QXE4,QXE6,QXE8,QXQ4,QXRHE4,RHG4,RHQ4,RH26,RXQ4,RXU,SE,SHQ4,SMC4,SME1,SME6,SMX2,SWA4,SWC4,SXB,SXB7,SXB9,SXEB,SXE4,SXE8,SXQ4,SXU,VAG2,VKE4,VKE9,VKQ4,VKX4,VKX9,VMA4,VME4,VNG1,VN17,VN19,VPE7,VPX7,VSD,VSD3,VSD7,VSD9,VSH7,VSH9,VS37,VS39,VWT4,VXB,VXEB,VXE4,VXE6,VXQ4,VXU1,VX2,WMA4,WMT8
7	16511-ZE2-000	WEIGHT, GOVERNOR .....	2	-	-----	PXE8,PXU,PX26,QAG2,QE,QHE4,QHQ4,QHR,QHR4,QH26,QKE3,QKE4,QME2,QSE2,QSE8,QWA4,QWH2,QXB,QXB7,QXB9,QXC4,QXC6,QXC9,QXE4,QXE6,QXE8,QXQ4,QXRHE4,RHG4,RHQ4,RH26,RXQ4,RXU,SE,SHQ4,SMC4,SME1,SME6,SMX2,SWA4,SWC4,SXB,SXB7,SXB9,SXEB,SXE4,SXE8,SXQ4,SXU,VAG2,VKE4,VKE9,VKQ4,VKX4,VKX9,VMA4,VME4,VNG1,VN17,VN19,VPE7,VPX7,VSD,VSD3,VSD7,VSD9,VSH7,VSH9,VS37,VS39,VWT4,VXB,VXEB,VXE4,VXE6,VXQ4,VXU1,VX2,WMA4,WMT8
8	16512-ZE2-000	HOLDER, GOVERNOR WEIGHT .....	1	-	-----	PXE8,PXU,PX26,QAG2,QE,QHE4,QHQ4,QHR,QHR4,QH26,QKE3,QKE4,QME2,QSE2,QSE8,QWA4,QWH2,QXB,QXB7,QXB9,QXC4,QXC6,QXC9,QXE4,QXE6,QXE8,QXQ4,QXRHE4,RHG4,RHQ4,RH26,RXQ4,RXU,SE,SHQ4,SMC4,SME1,SME6,SMX2,SWA4,SWC4,SXB,SXB7,SXB9,SXEB,SXE4,SXE8,SXQ4,SXU,VAG2,VKE4,VKE9,VKQ4,VKX4,VKX9,VMA4,VME4,VNG1,VN17,VN19,VPE7,VPX7,VSD,VSD3,VSD7,VSD9,VSH7,VSH9,VS37,VS39,VWT4,VXB,VXEB,VXE4,VXE6,VXQ4,VXU1,VX2,WMA4,WMT8

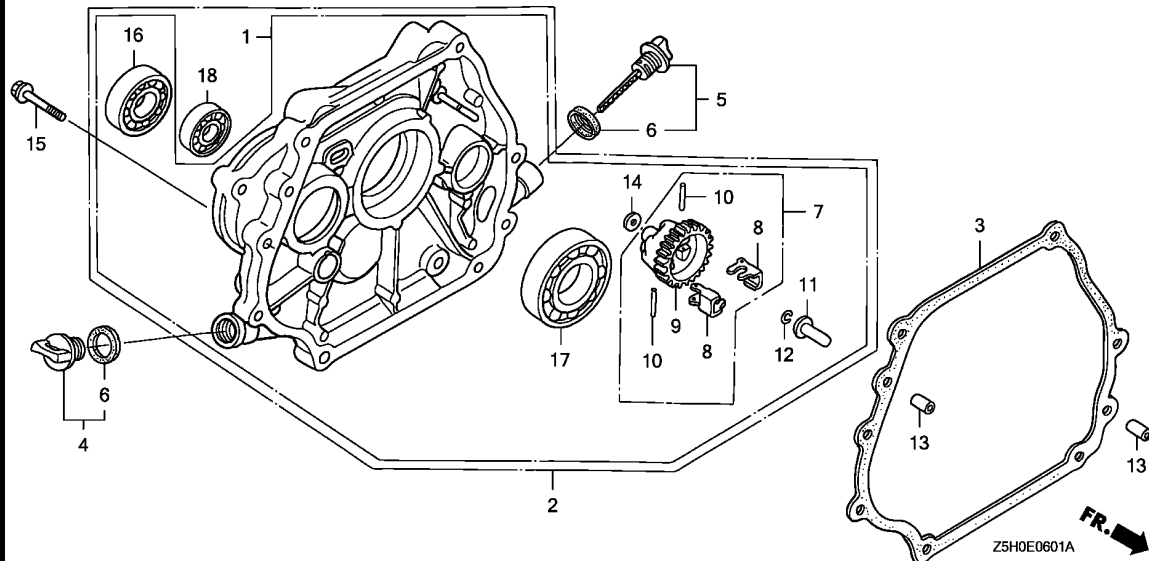
Ref. No.	Part No.	Description	Reqd. QTY		Serial No.	Parts catalogue code
			GX 270 U	GX 270 R		
9	16513-ZE2-000	PIN, GOVERNOR WEIGHT .....	2	-	-----	PXE8,PXU,PX26,QAG2,QE,QHE4,QHQ4,QHR,QHR4,QH26,QKE3,QKE4,QME2,QSE2 QSE8,QWA4,QWH2,QXB,QXB7,QXB9,QXC4,QXC6,QXC9,QXE4,QXE6,QXE8,QXQ4,QXU RHE4,RHG4,RHQ4,RH26,RXQ4,RXU,SE,SHQ4,SMC4,SME1,SME6,SMX2,SWA4,SWC4 SXB,SXB7,SXB9,SXEB,SXE4,SXE8,SXQ4,SXU,VAG2,VKE4,VKE9,VKQ4,VKX4,VKX9 VMA4,VME4,VNG1,VN17,VN19,VPE7,VPX7,VSD,VSD3,VSD7,VSD9,VSH7,VSH9,VS37 VS39,VWT4,VXB,VXEB,VXE4,VXE6,VXQ4,VXU1,VX2,WMA4,WMT8
10	16531-Z0A-000	SLIDER, GOVERNOR .....	1	-	-----	PXE8,PXU,PX26,QAG2,QE,QHE4,QHQ4,QHR,QHR4,QH26,QKE3,QKE4,QME2,QSE2 QSE8,QWA4,QWH2,QXB,QXB7,QXB9,QXC4,QXC6,QXC9,QXE4,QXE6,QXE8,QXQ4,QXU RHE4,RHG4,RHQ4,RH26,RXQ4,RXU,SE,SHQ4,SMC4,SME1,SME6,SMX2,SWA4,SWC4 SXB,SXB7,SXB9,SXEB,SXE4,SXE8,SXQ4,SXU,VAG2,VKE4,VKE9,VKQ4,VKX4,VKX9 VMA4,VME4,VNG1,VN17,VN19,VPE7,VPX7,VSD,VSD3,VSD7,VSD9,VSH7,VSH9,VS37 VS39,VWT4,VXB,VXEB,VXE4,VXE6,VXQ4,VXU1,VX2,WMA4,WMT8
11	90602-ZE1-000	CLIP, GOVERNOR HOLDER .....	1	-	-----	PXE8,PXU,PX26,QAG2,QE,QHE4,QHQ4,QHR,QHR4,QH26,QKE3,QKE4,QME2,QSE2 QSE8,QWA4,QWH2,QXB,QXB7,QXB9,QXC4,QXC6,QXC9,QXE4,QXE6,QXE8,QXQ4,QXU RHE4,RHG4,RHQ4,RH26,RXQ4,RXU,SE,SHQ4,SMC4,SME1,SME6,SMX2,SWA4,SWC4 SXB,SXB7,SXB9,SXEB,SXE4,SXE8,SXQ4,SXU,VAG2,VKE4,VKE9,VKQ4,VKX4,VKX9 VMA4,VME4,VNG1,VN17,VN19,VPE7,VPX7,VSD,VSD3,VSD7,VSD9,VSH7,VSH9,VS37 VS39,VWT4,VXB,VXEB,VXE4,VXE6,VXQ4,VXU1,VX2,WMA4,WMT8
12	90701-HC4-000	DOWEL PIN, 8X12 .....	2	-	-----	PXE8,PXU,PX26,QAG2,QE,QHE4,QHQ4,QHR,QHR4,QH26,QKE3,QKE4,QME2,QSE2 QSE8,QWA4,QWH2,QXB,QXB7,QXB9,QXC4,QXC6,QXC9,QXE4,QXE6,QXE8,QXQ4,QXU RHE4,RHG4,RHQ4,RH26,RXQ4,RXU,SE,SHQ4,SMC4,SME1,SME6,SMX2,SWA4,SWC4 SXB,SXB7,SXB9,SXEB,SXE4,SXE8,SXQ4,SXU,VAG2,VKE4,VKE9,VKQ4,VKX4,VKX9 VMA4,VME4,VNG1,VN17,VN19,VPE7,VPX7,VSD,VSD3,VSD7,VSD9,VSH7,VSH9,VS37 VS39,VWT4,VXB,VXEB,VXE4,VXE6,VXQ4,VXU1,VX2,WMA4,WMT8
13	91201-889-003	OIL SEAL, 30X45X8 .....	1	-	-----	WMA4,WMT8
	91201-890-003	OIL SEAL, 30X46X8 .....	1	-	-----	PXE8,PXU,PX26,QAG2,QE,QHE4,QHQ4,QHR,QHR4,QH26,QKE3,QKE4,QME2,QSE2 QSE8,QWA4,QWH2,QXB,QXB7,QXB9,QXC4,QXC6,QXC9,QXE4,QXE6,QXE8,QXQ4,QXU RHE4,RHG4,RHQ4,RH26,RXQ4,RXU,SE,SHQ4,SMC4,SME1,SME6,SMX2,SWA4,SWC4 SXB,SXB7,SXB9,SXEB,SXE4,SXE8,SXQ4,SXU,VAG2,VKE4,VKE9,VKQ4,VKX4,VKX9 VMA4,VME4,VNG1,VN17,VN19,VPE7,VPX7,VSD,VSD3,VSD7,VSD9,VSH7,VSH9,VS37 VS39,VWT4,VXB,VXEB,VXE4,VXE6,VXQ4,VXU1,VX2,WMA4,WMT8
14	94101-06800	WASHER, PLAIN, 6MM .....	1	-	-----	PXE8,PXU,PX26,QAG2,QE,QHE4,QHQ4,QHR,QHR4,QH26,QKE3,QKE4,QME2,QSE2 QSE8,QWA4,QWH2,QXB,QXB7,QXB9,QXC4,QXC6,QXC9,QXE4,QXE6,QXE8,QXQ4,QXU RHE4,RHG4,RHQ4,RH26,RXQ4,RXU,SE,SHQ4,SMC4,SME1,SME6,SMX2,SWA4,SWC4 SXB,SXB7,SXB9,SXEB,SXE4,SXE8,SXQ4,SXU,VAG2,VKE4,VKE9,VKQ4,VKX4,VKX9 VMA4,VME4,VNG1,VN17,VN19,VPE7,VPX7,VSD,VSD3,VSD7,VSD9,VSH7,VSH9,VS37 VS39,VWT4,VXB,VXEB,VXE4,VXE6,VXQ4,VXU1,VX2,WMA4,WMT8
15	95701-08035-00	BOLT, FLANGE, 8X35 .....	7	-	-----	PXE8,PXU,PX26,QAG2,QE,QHE4,QHQ4,QHR,QHR4,QH26,QKE3,QKE4,QME2,QSE2 QSE8,QWA4,QWH2,QXB,QXB7,QXB9,QXC4,QXC6,QXC9,QXE4,QXE6,QXE8,QXQ4,QXU RHE4,RHG4,RHQ4,RH26,RXQ4,RXU,SE,SHQ4,SMC4,SME1,SME6,SMX2,SWA4,SWC4 SXB,SXB7,SXB9,SXEB,SXE4,SXE8,SXQ4,SXU,VAG2,VKE4,VKE9,VKQ4,VKX4,VKX9 VMA4,VME4,VNG1,VN17,VN19,VPE7,VPX7,VSD,VSD3,VSD7,VSD9,VSH7,VSH9,VS37 VS39,VWT4,VXB,VXEB,VXE4,VXE6,VXQ4,VXU1,VX2,WMA4,WMT8
16	96100-62060-00	BEARING, RADIAL BALL, 6206 ..	1	-	-----	PXE8,PXU,PX26,QAG2,QE,QHE4,QHQ4,QHR,QHR4,QH26,QKE3,QKE4,QME2,QSE2 QSE8,QWA4,QWH2,QXB,QXB7,QXB9,QXC4,QXC6,QXC9,QXE4,QXE6,QXE8,QXQ4,QXU RHE4,RHG4,RHQ4,RH26,RXQ4,RXU,SE,SHQ4,SMC4,SME1,SME6,SMX2,SWA4,SWC4 SXB,SXB7,SXB9,SXEB,SXE4,SXE8,SXQ4,SXU,VAG2,VKE4,VKE9,VKQ4,VKX4,VKX9 VMA4,VME4,VNG1,VN17,VN19,VPE7,VPX7,VSD,VSD3,VSD7,VSD9,VSH7,VSH9,VS37 VS39,VWT4,VXB,VXEB,VXE4,VXE6,VXQ4,VXU1,VX2,WMA4,WMT8



E-6-1

CRANKCASE COVER(2)

D10



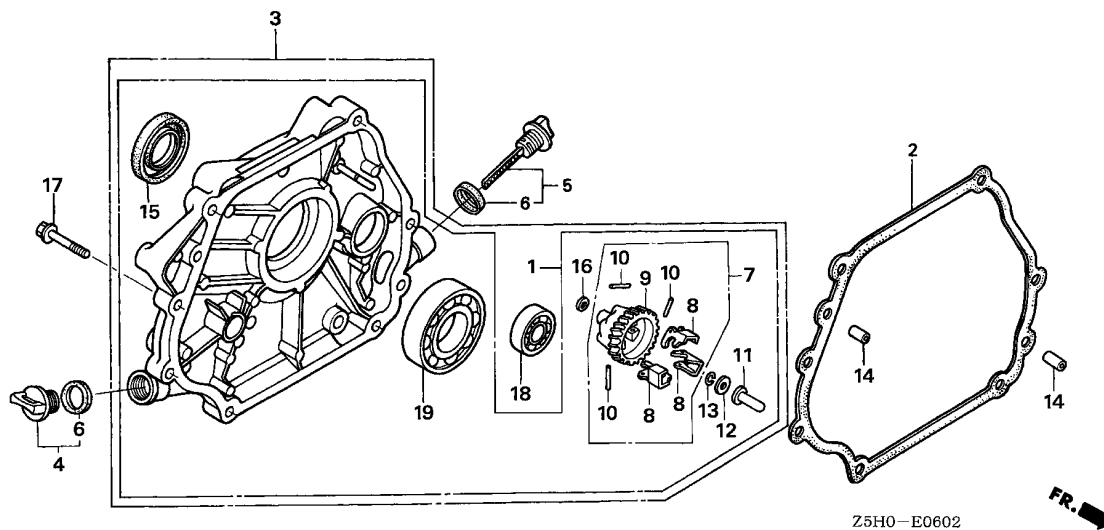
Ref. No.	L.O.N.	(Relative ref. Number) Description	F.R.T.
1	1101P6	COVER ASSEMBLY, CRANKCASE	0.4
2	1101G0	COVER, CRANKCASE(A)	0.3
3	1101F9	PACKING, CRANKCASE COVER(A)	0.3
7	1161E9	GOVERNOR ASSEMBLY(A)	0.4
9		(8,10)	
	1161C6	HOLDER, GOVERNOR WEIGHT(A)	0.4
11	1161C7	SLIDER, GOVERNOR(A)	0.4
16	2141A7	BEARING, POWER TAKE OFF SHAFT :FRONT	0.4
17	1101A6	BEARING, CRANKSHAFT :REAR	0.4
18	2101U3	BEARING, COUNTERSHAFT :FRONT	0.4

Ref. No.	Part No.	Description	Reqd. QTY		Serial No.	Parts catalogue code
			GX 270 U	GX 270 R		
1	11300-ZE2-612	COVER ASSY., CRANKCASE	1	-	----- LXE8,LXQ4,LXU	
2	11300-ZE2-622	COVER ASSY., CRANKCASE	1	-	----- HXQ4,HX26,HX8	
3	11381-ZE2-801	PACKING, CASE COVER	1	-	----- HXQ4,HX26,HX8,LXE8,LXQ4,LXU	
4	15600-ZG4-003	CAP ASSY., OIL FILLER	1	-	----- HXQ4,HX26,HX8,LXE8,LXQ4,LXU	
5	15600-735-003	CAP ASSY., OIL FILLER	1	-	----- HXQ4,HX26,HX8,LXE8,LXQ4,LXU	
6	15625-ZE1-003	PACKING, OIL FILLER CAP	2	-	----- HXQ4,HX26,HX8,LXE8,LXQ4,LXU	
7	16510-ZE2-000	GOVERNOR ASSY.	1	-	----- HXQ4,HX26,HX8,LXE8,LXQ4,LXU	
8	16511-ZE2-000	WEIGHT, GOVERNOR	2	-	----- HXQ4,HX26,HX8,LXE8,LXQ4,LXU	
9	16512-ZE2-000	HOLDER, GOVERNOR WEIGHT	1	-	----- HXQ4,HX26,HX8,LXE8,LXQ4,LXU	
10	16513-ZE2-000	PIN, GOVERNOR WEIGHT	2	-	----- HXQ4,HX26,HX8,LXE8,LXQ4,LXU	
11	16531-Z0A-000	SLIDER, GOVERNOR	1	-	----- HXQ4,HX26,HX8,LXE8,LXQ4,LXU	
12	90602-ZE1-000	CLIP, GOVERNOR HOLDER	1	-	----- HXQ4,HX26,HX8,LXE8,LXQ4,LXU	
13	90701-HC4-000	DOWEL PIN, 8X12	2	-	----- HXQ4,HX26,HX8,LXE8,LXQ4,LXU	
14	94101-06800	WASHER, PLAIN, 6MM	1	-	----- HXQ4,HX26,HX8,LXE8,LXQ4,LXU	
15	95701-08035-00	BOLT, FLANGE, 8X35	7	-	----- HXQ4,HX26,HX8,LXE8,LXQ4,LXU	
16	96100-62040-00	BEARING, RADIAL BALL, 6204	1	-	----- HXQ4,HX26,HX8,LXE8,LXQ4,LXU	
17	96100-62060-00	BEARING, RADIAL BALL, 6206	1	-	----- HXQ4,HX26,HX8,LXE8,LXQ4,LXU	
18	96100-63020-00	BEARING, RADIAL BALL, 6302	1	-	----- HXQ4,HX26,HX8	

E-6-2

CRANKCASE COVER(3)

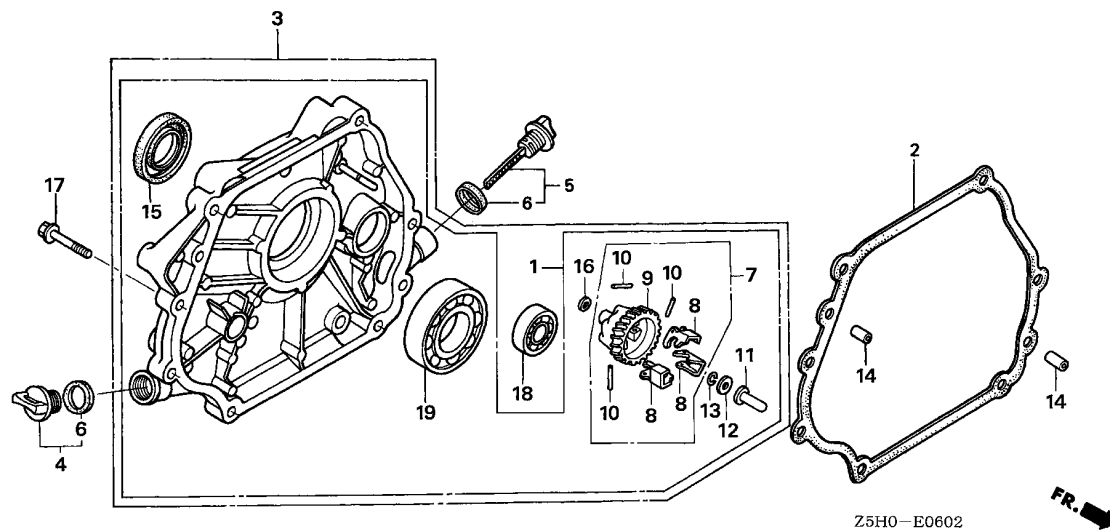
D11



Ref. No.	L.O.N.	(Relative ref. Number) Description	F.R.T.
1	1101S2	COVER ASSEMBLY, CRANKCASE(A)	0.3
2	1101E9	PACKING, CRANKCASE COVER	0.2
3	1101F1	COVER, CRANKCASE	0.2
7	1161C4	GOVERNOR ASSEMBLY	0.3
9		(8)	
	1161A7	HOLDER, GOVERNOR WEIGHT	0.3
11	1161B6	SLIDER, GOVERNOR	0.3
15	1101E5	OIL SEAL, CRANKSHAFT :REAR	0.3
18	1101F5	BEARING, BALANCER WEIGHT :REAR	0.3
19	1101A6	BEARING, CRANKSHAFT :REAR	0.4

Ref. No.	Part No.	Description	Reqd. QTY		Serial No.	Parts catalogue code
			GX 270 U	GX 270 R		
1	11300-ZK9-U60	COVER ASSY., CRANKCASE	1	-	-----	VE39,VPE4,VPE5,VPE9,VPX4,VPX5,VPX9,VXB7,VXB9,VXE7,VXE9,VX39
2	11381-ZE2-801	PACKING, CASE COVER	1	1	-----	VE39,VKB2,VME2,VMS2,VMX2,VM2,VPE4,VPE5,VPE9,VPX4,VPX5,VPX9,VXB7,VXB9,VXE7,VXE9,VX39
3	11400-ZE2-671	COVER ASSY., CRANKCASE	1	1	-----	VKB2,VME2,VMS2,VMX2,VM2
4	15600-ZG4-003	CAP ASSY., OIL FILLER	1	1	-----	VE39,VKB2,VME2,VMS2,VMX2,VM2,VPE4,VPE5,VPE9,VPX4,VPX5,VPX9,VXB7,VXB9,VXE7,VXE9,VX39
5	15600-735-003	CAP ASSY., OIL FILLER	1	1	-----	VE39,VKB2,VME2,VMS2,VMX2,VM2,VPE4,VPE5,VPE9,VPX4,VPX5,VPX9,VXB7,VXB9,VXE7,VXE9,VX39
6	15625-ZE1-003	PACKING, OIL FILLER CAP	2	2	-----	VE39,VKB2,VME2,VMS2,VMX2,VM2,VPE4,VPE5,VPE9,VPX4,VPX5,VPX9,VXB7,VXB9,VXE7,VXE9,VX39
7	16510-ZE3-000	GOVERNOR ASSY.	1	1	-----	VE39,VKB2,VME2,VMS2,VMX2,VM2,VPE4,VPE5,VPE9,VPX4,VPX5,VPX9,VXB7,VXB9,VXE7,VXE9,VX39
8	16511-ZE8-000	WEIGHT, GOVERNOR	3	3	-----	VE39,VKB2,VME2,VMS2,VMX2,VM2,VPE4,VPE5,VPE9,VPX4,VPX5,VPX9,VXB7,VXB9,VXE7,VXE9,VX39
9	16512-ZE3-000	HOLDER, GOVERNOR WEIGHT	1	1	-----	VE39,VKB2,VME2,VMS2,VMX2,VM2,VPE4,VPE5,VPE9,VPX4,VPX5,VPX9,VXB7,VXB9,VXE7,VXE9,VX39
10	16513-ZE2-000	PIN, GOVERNOR WEIGHT	3	3	-----	VE39,VKB2,VME2,VMS2,VMX2,VM2,VPE4,VPE5,VPE9,VPX4,VPX5,VPX9,VXB7,VXB9,VXE7,VXE9,VX39
11	16531-Z0A-000	SLIDER, GOVERNOR	1	1	-----	VE39,VKB2,VME2,VMS2,VMX2,VM2,VPE4,VPE5,VPE9,VPX4,VPX5,VPX9,VXB7,VXB9,VXE7,VXE9,VX39
12	90473-147-000	WASHER, 6X16	1	1	-----	VE39,VKB2,VME2,VMS2,VMX2,VM2,VPE4,VPE5,VPE9,VPX4,VPX5,VPX9,VXB7,VXB9,VXE7,VXE9,VX39
13	90602-ZE1-000	CLIP, GOVERNOR HOLDER	1	1	-----	VE39,VKB2,VME2,VMS2,VMX2,VM2,VPE4,VPE5,VPE9,VPX4,VPX5,VPX9,VXB7,VXB9,VXE7,VXE9,VX39
	90602-896-000	.....	(1)	(1)	-----	VKB2,VME2,VMS2,VMX2,VM2
14	90701-HC4-000	DOWEL PIN, 8X12	2	2	-----	VE39,VKB2,VME2,VMS2,VMX2,VM2,VPE4,VPE5,VPE9,VPX4,VPX5,VPX9,VXB7,VXB9,VXE7,VXE9,VX39

2

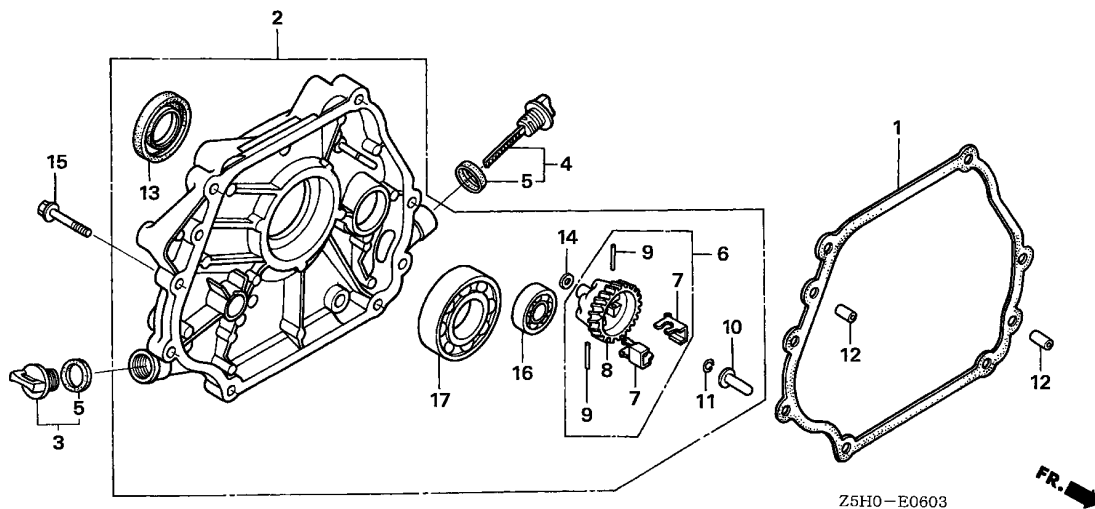


Ref. No.	Part No.	Description	Reqd. QTY		Serial No.	Parts catalogue code
			GX 270 U	GX 270 R		
15	91201-890-003	OIL SEAL, 30X46X8 .....	1	1	-----	VE39,VKB2,VME2,VMS2,VMX2,VM2,VPE4,VPE5,VPE9,VPX4,VPX5,VPX9,VXB7,VXB9,VXE7,VXE9,VX39
16	94101-06800	WASHER, PLAIN, 6MM .....	1	1	-----	VE39,VKB2,VME2,VMS2,VMX2,VM2,VPE4,VPE5,VPE9,VPX4,VPX5,VPX9,VXB7,VXB9,VXE7,VXE9,VX39
17	95701-08035-00	BOLT, FLANGE, 8X35 .....	7	7	-----	VE39,VKB2,VME2,VMS2,VMX2,VM2,VPE4,VPE5,VPE9,VPX4,VPX5,VPX9,VXB7,VXB9,VXE7,VXE9,VX39
18	96100-62020-00	BEARING, RADIAL BALL, 6202 ..	1	1	-----	VKB2,VME2,VMS2,VMX2,VM2
19	96100-62060-00	BEARING, RADIAL BALL, 6206 ..	1	1	-----	VE39,VKB2,VME2,VMS2,VMX2,VM2,VPE4,VPE5,VPE9,VPX4,VPX5,VPX9,VXB7,VXB9,VXE7,VXE9,VX39

E-6-3

CRANKCASE COVER(4)

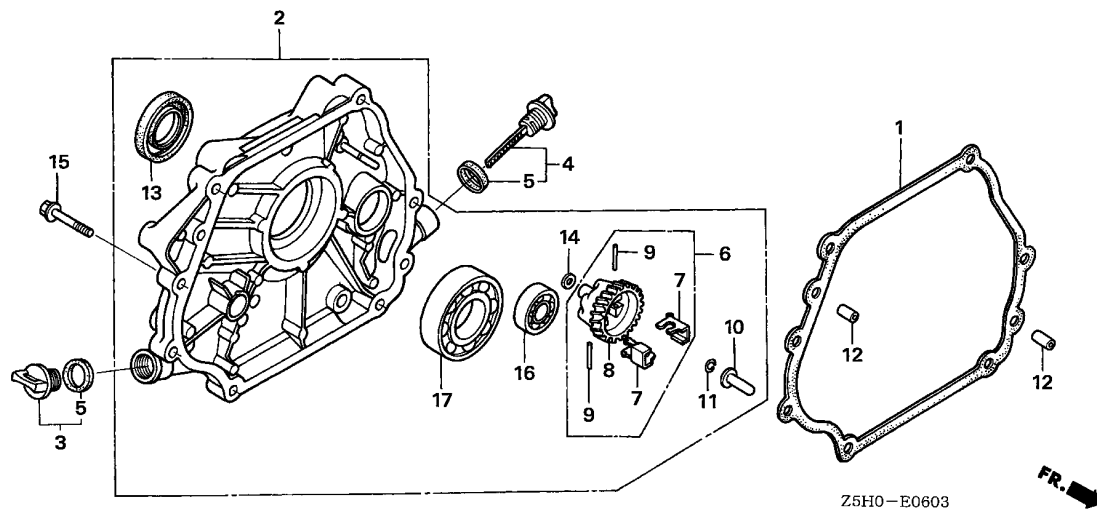
D13



Ref. No.	L.O.N.	(Relative ref. Number) Description	F.R.T.
1	1101E9	PACKING, CRANKCASE COVER .....	0.2
2	1101F1	COVER, CRANKCASE .....	0.2
6	1161C4	GOVERNOR ASSEMBLY .....	0.3
8		(7)	
	1161A7	HOLDER, GOVERNOR WEIGHT .....	0.3
10	1161B6	SLIDER, GOVERNOR .....	0.3
13	1101E5	OIL SEAL, CRANKSHAFT :REAR ...	0.3
16	1101F5	BEARING, BALANCER WEIGHT :REAR	0.3
17	1101A6	BEARING, CRANKSHAFT :REAR ....	0.4

Ref. No.	Part No.	Description	Reqd. QTY		Serial No.	Parts catalogue code
			GX 270 U	GX 270 R		
1	11381-ZE2-801	PACKING, CASE COVER .....	1	1	-----	PAE2,PA2,QAE2,QAE6,QAG,QAQ4,QAR2,QAW,QA2,QA26,QSC9,QXB6,RA2,RSC2,SAX4 VA2,VDE2,VNT2,VWA2,VWN2,VW12
2	11400-ZE2-030 11400-ZE2-603	COVER ASSY., CRANKCASE .....	1	1	-----	RA2,RSC2,SAX4 PAE2,PA2,QAE2,QAE6,QAG,QAQ4,QAR2,QAW,QA2,QA26,QSC9,QXB6,VA2,VDE2,VNT2 VWA2,VWN2,VW12
3	15600-ZG4-003	CAP ASSY., OIL FILLER .....	1	1	-----	PAE2,PA2,QAE2,QAE6,QAG,QAQ4,QAR2,QAW,QA2,QA26,QSC9,QXB6,RA2,RSC2,SAX4 VA2,VDE2,VNT2,VWA2,VWN2,VW12
4	15600-735-003	CAP ASSY., OIL FILLER .....	1	1	-----	PAE2,PA2,QAE2,QAE6,QAG,QAQ4,QAR2,QAW,QA2,QA26,QSC9,QXB6,RA2,RSC2,SAX4 VA2,VDE2,VNT2,VWA2,VWN2,VW12
5	15625-ZE1-003	PACKING, OIL FILLER CAP .....	2	2	-----	PAE2,PA2,QAE2,QAE6,QAG,QAQ4,QAR2,QAW,QA2,QA26,QSC9,QXB6,RA2,RSC2,SAX4 VA2,VDE2,VNT2,VWA2,VWN2,VW12
6	16510-ZE2-811	GOVERNOR ASSY. ....	1	1	-----	PAE2,PA2,QAE2,QAE6,QAG,QAQ4,QAR2,QAW,QA2,QA26,QSC9,QXB6,RA2,RSC2,SAX4 VA2,VDE2,VNT2,VWA2,VWN2,VW12
7	16511-ZE2-000	WEIGHT, GOVERNOR .....	2	2	-----	PAE2,PA2,QAE2,QAE6,QAG,QAQ4,QAR2,QAW,QA2,QA26,QSC9,QXB6,RA2,RSC2,SAX4 VA2,VDE2,VNT2,VWA2,VWN2,VW12
8	16512-ZE2-811	HOLDER, GOVERNOR WEIGHT .....	1	1	-----	PAE2,PA2,QAE2,QAE6,QAG,QAQ4,QAR2,QAW,QA2,QA26,QSC9,QXB6,RA2,RSC2,SAX4 VA2,VDE2,VNT2,VWA2,VWN2,VW12
9	16513-ZE2-000	PIN, GOVERNOR WEIGHT .....	2	2	-----	PAE2,PA2,QAE2,QAE6,QAG,QAQ4,QAR2,QAW,QA2,QA26,QSC9,QXB6,RA2,RSC2,SAX4 VA2,VDE2,VNT2,VWA2,VWN2,VW12
10	16531-Z0A-000	SLIDER, GOVERNOR .....	1	1	-----	PAE2,PA2,QAE2,QAE6,QAG,QAQ4,QAR2,QAW,QA2,QA26,QSC9,QXB6,RA2,RSC2,SAX4 VA2,VDE2,VNT2,VWA2,VWN2,VW12
11	90602-ZE1-000 90602-896-000	CLIP, GOVERNOR HOLDER .....	1	1	-----	PAE2,PA2,QAE2,QAE6,QAG,QAQ4,QAR2,QAW,QA2,QA26,QSC9,QXB6,RA2,RSC2,SAX4 VA2,VDE2,VNT2,VWA2,VWN2,VW12
		.....	(1)	(1)	-----	PAE2,PA2,QAE2,QAE6,QAG,QAQ4,QAR2,QAW,QA2,QA26,RA2,RSC2,VA2,VDE2,VNT2 VWA2,VWN2,VW12
12	90701-HC4-000	DOWEL PIN, 8X12 .....	2	2	-----	PAE2,PA2,QAE2,QAE6,QAG,QAQ4,QAR2,QAW,QA2,QA26,QSC9,QXB6,RA2,RSC2,SAX4 VA2,VDE2,VNT2,VWA2,VWN2,VW12

2

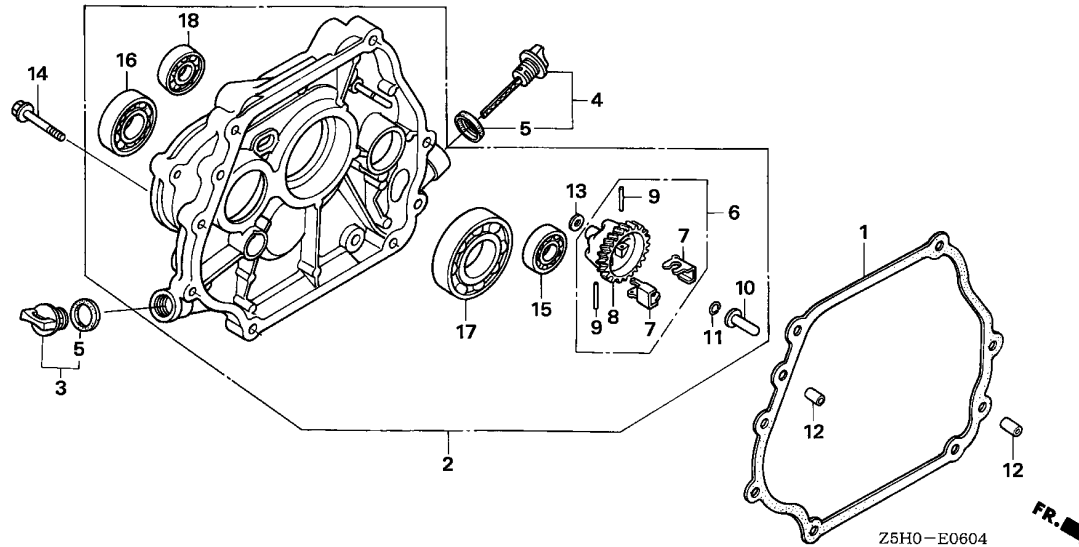


Ref. No.	Part No.	Description	Reqd. QTY		Serial No.	Parts catalogue code
			GX 270 U	GX 270 R		
13	91201-890-003	OIL SEAL, 30X46X8 .....	1	1	-----	PAE2,PA2,QAE2,QAE6,QAG,QAQ4,QAR2,QAW,QA2,QA26,QSC9,QXB6,RA2,RSC2,SAX4 VA2,VDE2,VNT2,VWA2,VWN2,VW12
14	94101-06800	WASHER, PLAIN, 6MM .....	1	1	-----	PAE2,PA2,QAE2,QAE6,QAG,QAQ4,QAR2,QAW,QA2,QA26,QSC9,QXB6,RA2,RSC2,SAX4 VA2,VDE2,VNT2,VWA2,VWN2,VW12
15	95701-08035-00	BOLT, FLANGE, 8X35 .....	7	7	-----	PAE2,PA2,QAE2,QAE6,QAG,QAQ4,QAR2,QAW,QA2,QA26,QSC9,QXB6,RA2,RSC2,SAX4 VA2,VDE2,VNT2,VWA2,VWN2,VW12
16	96100-62020-00	BEARING, RADIAL BALL, 6202 ..	1	1	-----	PAE2,PA2,QAE2,QAE6,QAG,QAQ4,QAR2,QAW,QA2,QA26,QSC9,QXB6,RA2,RSC2,SAX4 VA2,VDE2,VNT2,VWA2,VWN2,VW12
17	96100-62060-00	BEARING, RADIAL BALL, 6206 ..	1	1	-----	PAE2,PA2,QAE2,QAE6,QAG,QAQ4,QAR2,QAW,QA2,QA26,QSC9,QXB6,RA2,RSC2,SAX4 VA2,VDE2,VNT2,VWA2,VWN2,VW12

E-6-4

CRANKCASE COVER(5)

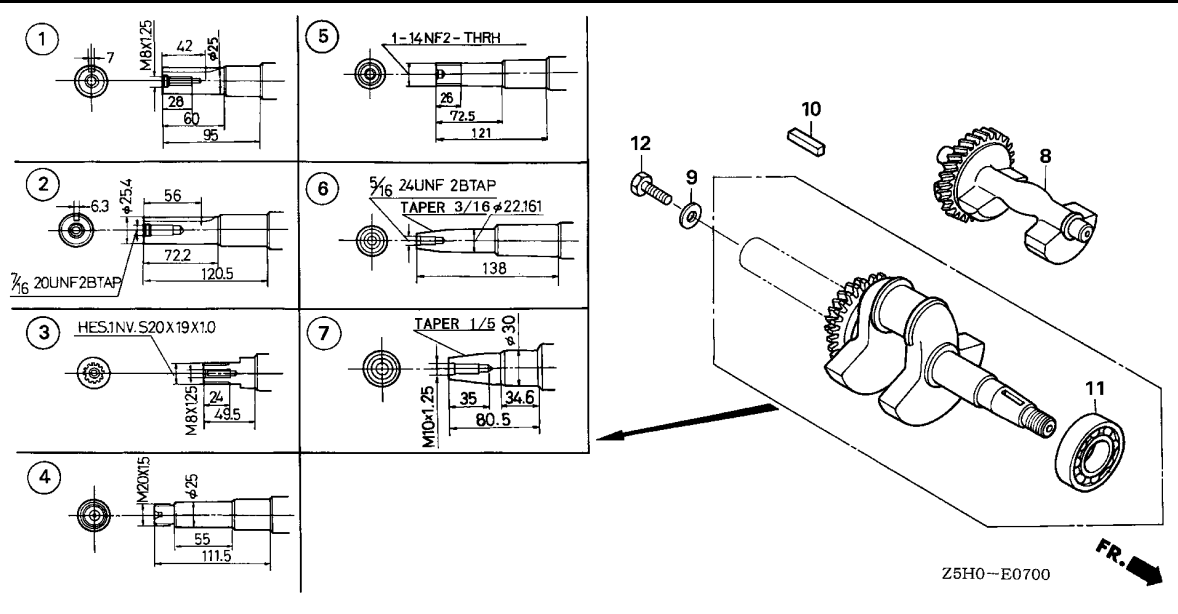
D15



Ref. No.	L.O.N.	(Relative ref. Number) Description	F.R.T.
1	1101F9	PACKING, CRANKCASE COVER(A) ..	0.3
2	1101G0	COVER, CRANKCASE(A) .....	0.3
6	1161E9	GOVERNOR ASSEMBLY(A) .....	0.4
8		(7)	
	1161C6	HOLDER, GOVERNOR WEIGHT(A) ...	0.4
10	1161C7	SLIDER, GOVERNOR(A) .....	0.4
15	1101G5	BEARING, BALANCER WEIGHT(A)	
		:REAR .....	0.4
16	2141A7	BEARING, POWER TAKE OFF SHAFT	
		:FRONT .....	0.4
17	1101A6	BEARING, CRANKSHAFT :REAR .....	0.4
18	2101U3	BEARING, COUNTERSHAFT :FRONT ..	0.4

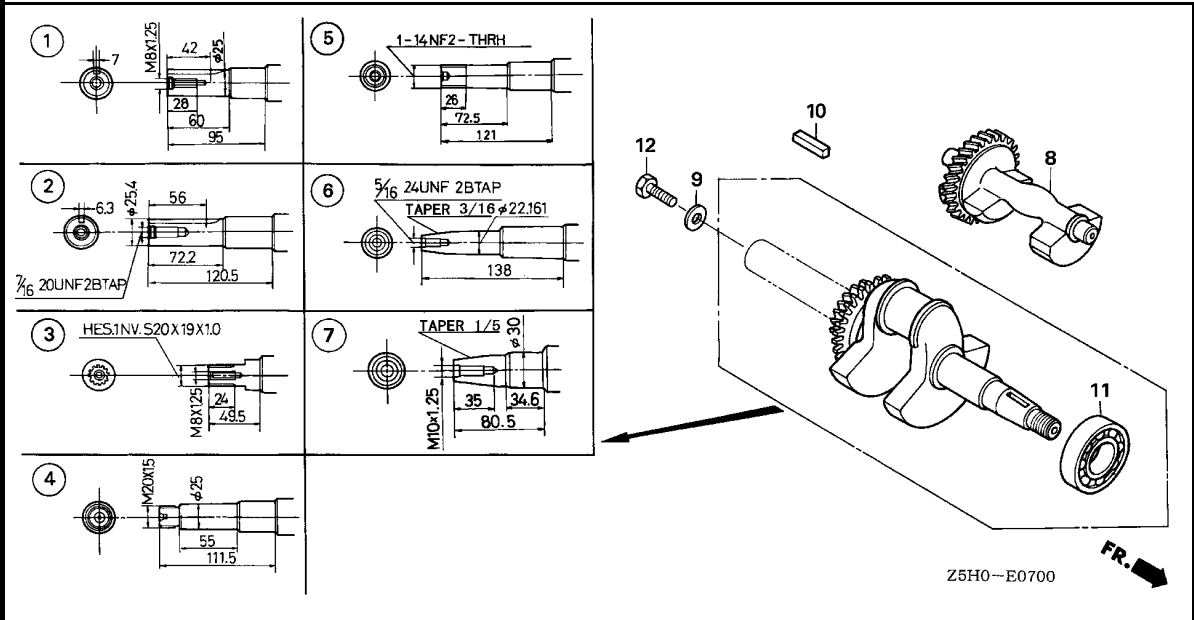
Ref. No.	Part No.	Description	Reqd. QTY		Serial No.	Parts catalogue code
			GX 270 U	GX 270 R		
1	11381-ZE2-801	PACKING, CASE COVER .....	1	-	-----	HA2,HEA2,HEA8
2	11400-ZE2-623	COVER ASSY., CRANKCASE .....	1	-	-----	HA2,HEA2,HEA8
3	15600-ZG4-003	CAP ASSY., OIL FILLER .....	1	-	-----	HA2,HEA2,HEA8
4	15600-735-003	CAP ASSY., OIL FILLER .....	1	-	-----	HA2,HEA2,HEA8
5	15625-ZE1-003	PACKING, OIL FILLER CAP .....	2	-	-----	HA2,HEA2,HEA8
6	16510-ZE2-811	GOVERNOR ASSY. ....	1	-	-----	HA2,HEA2,HEA8
7	16511-ZE2-000	WEIGHT, GOVERNOR .....	2	-	-----	HA2,HEA2,HEA8
8	16512-ZE2-811	HOLDER, GOVERNOR WEIGHT .....	1	-	-----	HA2,HEA2,HEA8
9	16513-ZE2-000	PIN, GOVERNOR WEIGHT .....	2	-	-----	HA2,HEA2,HEA8
10	16531-Z0A-000	SLIDER, GOVERNOR .....	1	-	-----	HA2,HEA2,HEA8
11	90602-ZE1-000	CLIP, GOVERNOR HOLDER .....	1	-	-----	HA2,HEA2,HEA8
	90602-896-000	.....	(1)	-	-----	HA2,HEA2,HEA8
12	90701-HC4-000	DOWEL PIN, 8X12 .....	2	-	-----	HA2,HEA2,HEA8
13	94101-06800	WASHER, PLAIN, 6MM .....	1	-	-----	HA2,HEA2,HEA8
14	95701-08035-00	BOLT, FLANGE, 8X35 .....	7	-	-----	HA2,HEA2,HEA8
15	96100-62020-00	BEARING, RADIAL BALL, 6202 ..	1	-	-----	HA2,HEA2,HEA8
16	96100-62040-00	BEARING, RADIAL BALL, 6204 ..	1	-	-----	HA2,HEA2,HEA8
17	96100-62060-00	BEARING, RADIAL BALL, 6206 ..	1	-	-----	HA2,HEA2,HEA8
18	96100-63020-00	BEARING, RADIAL BALL, 6302 ..	1	-	-----	HA2,HEA2,HEA8

2



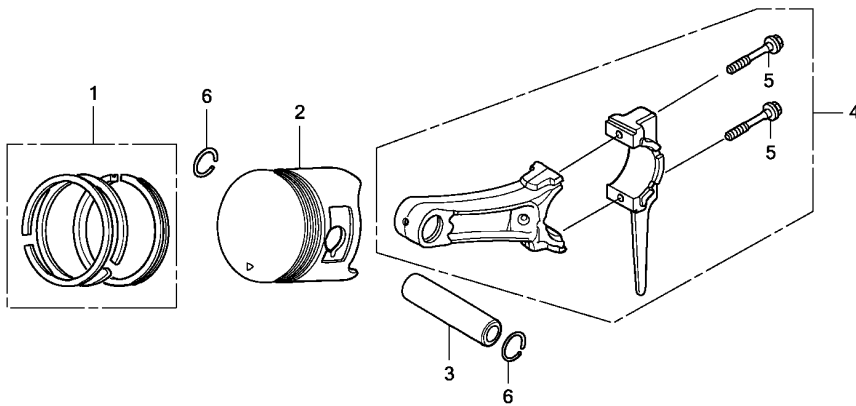
Ref. No.	L.O.N.	(Relative ref. Number) Description	F.R.T.
1		(2,3,4,5,6,7)	
1101F0		CRANKSHAFT .....	1.1
8	1101D8	WEIGHT, BALANCER .....	0.3
11	1101A4	BEARING, CRANKSHAFT :FRONT ...	1.3

Ref. No.	Part No.	Description	Reqd. QTY		Serial No.	Parts catalogue code
			GX 270 U	GX 270 R		
1	13310-ZH9-010	CRANKSHAFT COMP. ....	1	-	-----	RHE4,RHG4,RHQ4,RH26,RXQ4,RXU,SE,SHQ4,SMC4,SME1,SME6,SMX2,SWA4,SWC4 SXB,SXEB,SXE4,SXE8,SXQ4,SXU
	13310-ZH9-801	.....	1	1	-----	RA2,RSC2,SAX4
	13310-ZK9-010	.....	1	-	-----	SXB7,SXB9
2	13310-ZH9-601	CRANKSHAFT COMP. ....	1	-	-----	QAG2,QE,QHE4,QHQ4,QHR,QHR4,QH26,QKE3,QKE4,QME2,QSE2,QSE8,QWA4,QWH2 QXB,QXC4,QXC6,QXC9,QXE4,QXE6,QXE8,QXQ4,QXU
	13310-ZH9-811	.....	1	-	-----	QAE2,QAE6,QAG,QAQ4,QAR2,QAW,QA2,QA26,QSC9,QXB6
	13310-ZK9-601	.....	1	-	-----	QXB7,QXB9
3	13310-ZH9-611	CRANKSHAFT COMP. ....	1	-	-----	HXQ4,HX26,HX8,LXE8,LXQ4,LXU
	13310-ZH9-821	.....	1	-	-----	HA2,HEA2,HEA8
4	13310-ZH9-631	CRANKSHAFT COMP. ....	1	-	-----	WMA4,WMT8
5	13310-ZH9-651	CRANKSHAFT COMP. ....	1	-	-----	PXE8,PXU,PX26
	13310-ZH9-831	.....	1	-	-----	PAE2,PA2
6	13310-ZH9-671	CRANKSHAFT COMP. ....	1	-	-----	VAG2,VKE4,VKX4,VNG1,VSD,VSD3,VWT4,VXB,VXEB,VXE4,VXE6,VXQ4,VXU1,VX2
	13310-ZH9-841	.....	1	1	-----	VA2,VDE2,VKB2,VME2,VMS2,VMX2,VM2,VNT2,VPE4,VPE5,VPX4,VPX5,VWA2,VWN2 VW12
	13310-ZK9-671	.....	1	-	-----	VKE9,VKX9,VN17,VN19,VPE7,VPX7,VSD7,VSD9,VSH7,VSH9,VS37,VS39
	13310-ZK9-801	.....	1	-	-----	VE39,VPE9,VPX9,VXB7,VXB9,VXE7,VXE9,VX39
7	13310-ZH9-701	CRANKSHAFT COMP. ....	1	-	-----	VKQ4,VMA4,VME4
8	13351-ZE2-010	WEIGHT, BALANCER .....	1	-	-----	HA2,HEA2,HEA8,PAE2,PA2,QAE2,QAE6,QAG,QAQ4,QAR2,QAW,QA2,QA26,QSC9,QXB6 RA2,RSC2,SAX4,VA2,VDE2,VKB2,VME2,VMS2,VMX2,VM2,VNT2,VWA2,VWN2,VW12
9	90534-706-010	WASHER, LOCK, 8MM .....	-	1	-----	SMX2
10	90741-805-000	KEY, 7X7X33 .....	1	-	-----	SAX4,SE,SHQ4,SMX2,SWA4,SWC4,SXB,SXB7,SXB9,SXEB,SXE4,SXE8,SXQ4,SXU VKQ4
	90741-889-810	KEY, 7X7X33(YELLOW) .....	(1)	-	-----	SAX4,SE,SHQ4,SMC4,SME1,SME6,SWA4,SWC4,SXB,SXB7,SXB9,SXEB,SXE4,SXE8 SXQ4,SXU,VKQ4



Ref. No.	Part No.	Description	Reqd. QTY		Serial No.	Parts catalogue code
			GX 270 U	GX 270 R		
10)	90745-ZE2-600	KEY, 6.3X6.3X43	1	-	-----	QAE2, QAE6, QAG, QAG2, QAQ4, QAW, QA2, QA26, QE, QHE4, QHQ4, QHR, QHR4, QH26, QKE3, QKE4, QME2, QSC9, QSE2, QSE8, QWA4, QWH2, QXB, QXB7, QXB9, QXC4, QXC6, QXC9, QXE4, QXE6, QXE8, QXQ4, QXU, VME2, VMS2
11	91001-ZH9-003	BEARING, RADIAL BALL (6206 SH)	1	1		
12	92101-08025-0A	BOLT, HEX., 8X25	1	-	-----	SMX2





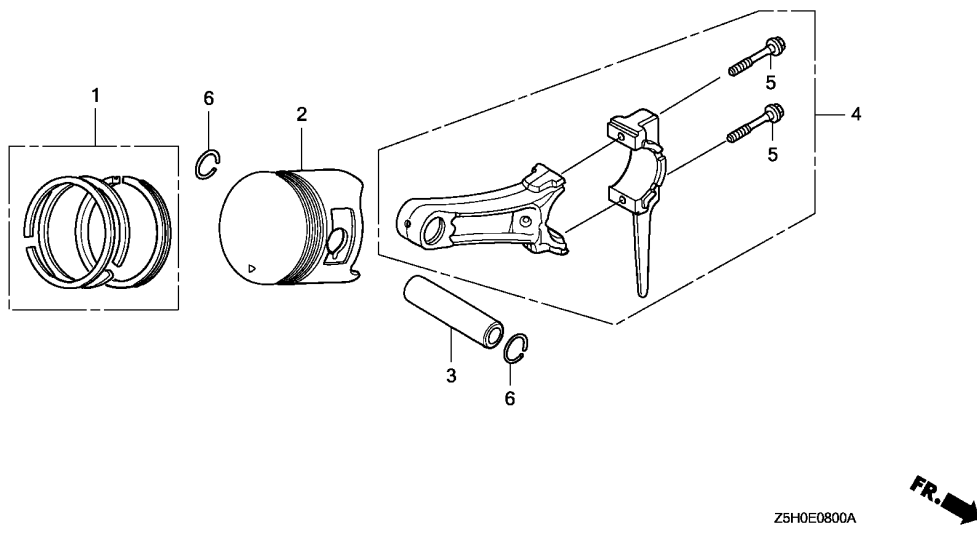
Z5H0E0800A



Ref. No.	L.O.N.	(Relative ref. Number) Description	F.R.T.
2	1111R1	(1,3,4) PISTON AND/OR RING SET AND/OR BEARING AND/OR ROD ..... INCLUDES: Inspection/ Measurement/Cleaning	1.2

Ref. No.	Part No.	Description	Reqd. QTY		Serial No.	Parts catalogue code
			GX 270 U	GX 270 R		
1	13010-ZE8-601	RING SET, PISTON (STD.) (NIPPON)	1	-	-----	HA2,HEA2,HEA8,HXQ4,HX26,HX8,LXE8,LXQ4,LXU,PAE2,PA2,PXE8,PXU,PX26,QAE2,QAE6,QAG,QAG2,QAQ4,QAR2,QAW,QA2,QA26,QE,QHE4,QHQ4,QHR,QHR4,QH26,QKE3,QKE4,QME2,QSC9,QSE2,QSE8,QWA4,QWH2,QXB,QXB6,QXB7,QXB9,QXC4,QXC6,QXC9,QXE4,QXE6,QXE8,QXQ4,QXU,RA2,RHE4,RHQ4,RH26,RSC2,RXQ4,RXU,SAX4,SE,SHQ4,SMC4,SME1,SME6,SMX2,SWA4,SWC4, SXB, SXB7, SXB9, SXE8, SXE4, SXE8, SXQ4, SXU, VAG2, VA2, VDE2, VE39, VKB2, VKE4, VKE9, VKQ4, VKX4, VKX9, VMA4, VME2, VME4, VMS2, VMX2, VM2, VNG1, VNT2, VN17, VN19, VPE4, VPE5, VPE7, VPE9, VPX4, VPX5, VPX7, VPX9, VSD, VSD3, VSD7, VSD9, VSH7, VSH9, VS37, VS39, VWA2, VWN2, VWT4, VW12, VXB, VXB7, VXB9, VXEB, VXE4, VXE6, VXE7, VXE9, VXQ4, VXU1, VX2, VX39, WMA4, WMT8
	13010-ZE8-602	RING SET, PISTON (STD.) (TEIKOKU)	1	-	-----	HA2,HEA2,HEA8,HXQ4,HX26,HX8,LXE8,LXQ4,LXU,PAE2,PA2,PXE8,PXU,PX26,QAE2,QAE6,QAG,QAG2,QAQ4,QAR2,QAW,QA2,QA26,QE,QHE4,QHQ4,QHR,QHR4,QH26,QKE3,QKE4,QME2,QSC9,QSE2,QSE8,QWA4,QWH2,QXB,QXB6,QXB7,QXB9,QXC4,QXC6,QXC9,QXE4,QXE6,QXE8,QXQ4,QXU,RA2,RHE4,RHQ4,RH26,RSC2,RXQ4,RXU,SAX4,SE,SHQ4,SMC4,SME1,SME6,SMX2,SWA4,SWC4, SXB, SXB7, SXB9, SXE8, SXE4, SXE8, SXQ4, SXU, VAG2, VA2, VDE2, VE39, VKB2, VKE4, VKE9, VKQ4, VKX4, VKX9, VMA4, VME2, VME4, VMS2, VMX2, VM2, VNG1, VNT2, VN17, VN19, VPE4, VPE5, VPE7, VPE9, VPX4, VPX5, VPX7, VPX9, VSD, VSD3, VSD7, VSD9, VSH7, VSH9, VS37, VS39, VWA2, VWN2, VWT4, VW12, VXB, VXB7, VXB9, VXEB, VXE4, VXE6, VXE7, VXE9, VXQ4, VXU1, VX2, VX39, WMA4, WMT8

Ref. No.	Part No.	Description	Reqd. QTY		Serial No.	Parts catalogue code
			GX 270 U	GX 270 R		
(1)	13011-ZE8-601	RING SET, PISTON (0.25) (NIPPON)	(1)	-	-----	HA2,HEA2,HEA8,HXQ4,HX26,HX8,LXE8,LXQ4,LXU,PAE2,PA2,PXE8,PXU,PX26,QAE2,QAE6,QAG,QAG2,QAQ4,QAR2,QAW,QA2,QA26,QE,QHE4,QHQ4,QHR,QHR4,QH26,QKE3,QKE4,QME2,QSC9,QSE2,QSE8,QWA4,QWH2,QXB,QXB6,QXB7,QXB9,QXC4,QXC6,QXC9,QXE4,QXE6,QXE8,QXQ4,QXU,RA2,RHE4,RHQ4,RH26,RSC2,RXQ4,RXU,SAX4,SE,SHQ4,SMC4,SME1,SME6,SMX2,SWA4,SWC4,SWB,SXB7,SXB9,SXEB,SXE4,SXE8, SXQ4, SXU,VAG2,VA2,VDE2,VE39,VKB2,VKE4,VKE9,VKQ4,VKX4,VKX9,VMA4,VME2,VME4,VMS2,VMX2,VM2,VNG1,VNT2,VN17,VN19,VPE4,VPE5,VPE7,VPE9,VPX4,VPX5,VPX7,VPX9,VSD,VSD3,VSD7,VSD9,VSH7,VSH9,VS37,VS39,VWA2,VWN2,VWT4,VW12,VXB,VXB7,VXB9,VXEB,VXE4,VXE6,VXE7,VXE9,VXQ4,VXU1,VX2,VX39,WMA4,WMT8
	13011-ZE8-602	RING SET, PISTON (0.25) (TEIKOKU)	(1)	-	-----	HA2,HEA2,HEA8,HXQ4,HX26,HX8,LXE8,LXQ4,LXU,PAE2,PA2,PXE8,PXU,PX26,QAE2,QAE6,QAG,QAG2,QAQ4,QAR2,QAW,QA2,QA26,QE,QHE4,QHQ4,QHR,QHR4,QH26,QKE3,QKE4,QME2,QSC9,QSE2,QSE8,QWA4,QWH2,QXB,QXB6,QXB7,QXB9,QXC4,QXC6,QXC9,QXE4,QXE6,QXE8,QXQ4,QXU,RA2,RHE4,RHQ4,RH26,RSC2,RXQ4,RXU,SAX4,SE,SHQ4,SMC4,SME1,SME6,SMX2,SWA4,SWC4,SWB,SXB7,SXB9,SXEB,SXE4,SXE8, SXQ4, SXU,VAG2,VA2,VDE2,VE39,VKB2,VKE4,VKE9,VKQ4,VKX4,VKX9,VMA4,VME2,VME4,VMS2,VMX2,VM2,VNG1,VNT2,VN17,VN19,VPE4,VPE5,VPE7,VPE9,VPX4,VPX5,VPX7,VPX9,VSD,VSD3,VSD7,VSD9,VSH7,VSH9,VS37,VS39,VWA2,VWN2,VWT4,VW12,VXB,VXB7,VXB9,VXEB,VXE4,VXE6,VXE7,VXE9,VXQ4,VXU1,VX2,VX39,WMA4,WMT8
	13012-ZE8-601	RING SET, PISTON (0.50) (NIPPON)	(1)	-	-----	HA2,HEA2,HEA8,HXQ4,HX26,HX8,LXE8,LXQ4,LXU,PAE2,PA2,PXE8,PXU,PX26,QAE2,QAE6,QAG,QAG2,QAQ4,QAR2,QAW,QA2,QA26,QE,QHE4,QHQ4,QHR,QHR4,QH26,QKE3,QKE4,QME2,QSC9,QSE2,QSE8,QWA4,QWH2,QXB,QXB6,QXB7,QXB9,QXC4,QXC6,QXC9,QXE4,QXE6,QXE8,QXQ4,QXU,RA2,RHE4,RHQ4,RH26,RSC2,RXQ4,RXU,SAX4,SE,SHQ4,SMC4,SME1,SME6,SMX2,SWA4,SWC4,SWB,SXB7,SXB9,SXEB,SXE4,SXE8, SXQ4, SXU,VAG2,VA2,VDE2,VE39,VKB2,VKE4,VKE9,VKQ4,VKX4,VKX9,VMA4,VME2,VME4,VMS2,VMX2,VM2,VNG1,VNT2,VN17,VN19,VPE4,VPE5,VPE7,VPE9,VPX4,VPX5,VPX7,VPX9,VSD,VSD3,VSD7,VSD9,VSH7,VSH9,VS37,VS39,VWA2,VWN2,VWT4,VW12,VXB,VXB7,VXB9,VXEB,VXE4,VXE6,VXE7,VXE9,VXQ4,VXU1,VX2,VX39,WMA4,WMT8
	13012-ZE8-602	RING SET, PISTON (0.50) (TEIKOKU)	(1)	-	-----	HA2,HEA2,HEA8,HXQ4,HX26,HX8,LXE8,LXQ4,LXU,PAE2,PA2,PXE8,PXU,PX26,QAE2,QAE6,QAG,QAG2,QAQ4,QAR2,QAW,QA2,QA26,QE,QHE4,QHQ4,QHR,QHR4,QH26,QKE3,QKE4,QME2,QSC9,QSE2,QSE8,QWA4,QWH2,QXB,QXB6,QXB7,QXB9,QXC4,QXC6,QXC9,QXE4,QXE6,QXE8,QXQ4,QXU,RA2,RHE4,RHQ4,RH26,RSC2,RXQ4,RXU,SAX4,SE,SHQ4,SMC4,SME1,SME6,SMX2,SWA4,SWC4,SWB,SXB7,SXB9,SXEB,SXE4,SXE8, SXQ4, SXU,VAG2,VA2,VDE2,VE39,VKB2,VKE4,VKE9,VKQ4,VKX4,VKX9,VMA4,VME2,VME4,VMS2,VMX2,VM2,VNG1,VNT2,VN17,VN19,VPE4,VPE5,VPE7,VPE9,VPX4,VPX5,VPX7,VPX9,VSD,VSD3,VSD7,VSD9,VSH7,VSH9,VS37,VS39,VWA2,VWN2,VWT4,VW12,VXB,VXB7,VXB9,VXEB,VXE4,VXE6,VXE7,VXE9,VXQ4,VXU1,VX2,VX39,WMA4,WMT8
	13013-ZE8-601	RING SET, PISTON (0.75) (NIPPON)	(1)	-	-----	HA2,HEA2,HEA8,HXQ4,HX26,HX8,LXE8,LXQ4,LXU,PAE2,PA2,PXE8,PXU,PX26,QAE2,QAE6,QAG,QAG2,QAQ4,QAR2,QAW,QA2,QA26,QE,QHE4,QHQ4,QHR,QHR4,QH26,QKE3,QKE4,QME2,QSC9,QSE2,QSE8,QWA4,QWH2,QXB,QXB6,QXB7,QXB9,QXC4,QXC6,QXC9,QXE4,QXE6,QXE8,QXQ4,QXU,RA2,RHE4,RHQ4,RH26,RSC2,RXQ4,RXU,SAX4,SE,SHQ4,SMC4,SME1,SME6,SMX2,SWA4,SWC4,SWB,SXB7,SXB9,SXEB,SXE4,SXE8, SXQ4, SXU,VAG2,VA2,VDE2,VE39,VKB2,VKE4,VKE9,VKQ4,VKX4,VKX9,VMA4,VME2,VME4,VMS2,VMX2,VM2,VNG1,VNT2,VN17,VN19,VPE4,VPE5,VPE7,VPE9,VPX4,VPX5,VPX7,VPX9,VSD,VSD3,VSD7,VSD9,VSH7,VSH9,VS37,VS39,VWA2,VWN2,VWT4,VW12,VXB,VXB7,VXB9,VXEB,VXE4,VXE6,VXE7,VXE9,VXQ4,VXU1,VX2,VX39,WMA4,WMT8



Z5H0E0800A



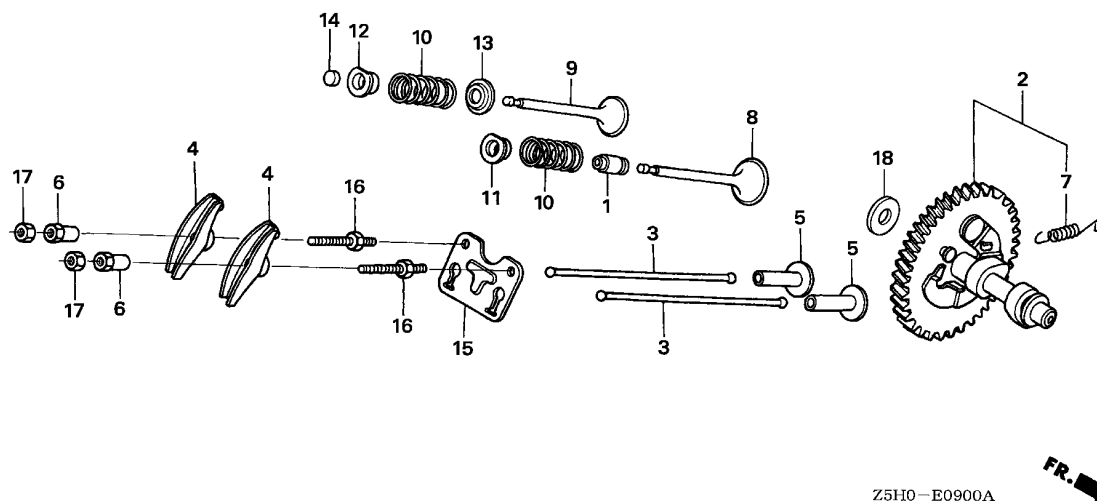
Ref. No.	Part No.	Description	Reqd. QTY		Serial No.	Parts catalogue code
			GX 270 U	GX 270 R		
(1)	13013-ZE8-602	RING SET, PISTON (0.75) (TEIKOKU)	(1)	-	-----	HA2,HEA2,HEA8,HXQ4,HX26,HX8,LXE8,LXQ4,LXU,PAE2,PA2,PXE8,PXU,PX26,QAE2,QAE6,QAG,QAG2,QAQ4,QR2,QAW,QA2,QA26,QE,QHE4,QHQ4,QHR,QHR4,QH26,QKE3,QKE4,QME2,QSC9,QSE2,QSE8,QWA4,QWH2,QXB,QXB6,QXB7,QXB9,QXC4,QXC6,QXC9,QXE4,QXE6,QXE8,QXQ4,QXU,RA2,RHE4,RHQ4,RH26,RSC2,RXQ4,RXU,SAX4,SE,SHQ4,SMC4,SME1,SME6,SMX2,SWA4,SWC4,SXB,SXB7,SXB9,SXEB,SXE4,SXE8,SXQ4,SXU,VAG2,VA2,VDE2,VE39,VKB2,VKE4,VKE9,VKQ4,VKX4,VKX9,VMA4,VME2,VME4,VMS2,VMX2,VM2,VNG1,VNT2,VN17,VN19,VPE4,VPE5,VPE7,VPE9,VPX4,VPX5,VPX7,VPX9,VSD,VSD3,VSD7,VSD9,VSH7,VSH9,VS37,VS39,VWA2,VWN2,VWT4,VW12,VXB,VXB7,VXB9,VXEB,VXE4,VXE6,VXE7,VXE9,VXQ4,VXU1,VX2,VX39,WMA4,WMT8
	13010-Z5H-004	RING SET, PISTON (STD.) (TEIKOKU)	1	-	-----	RHG4
	13011-Z5H-004	RING SET, PISTON (0.25) (TEIKOKU)	-	1		
	13012-Z5H-004	RING SET, PISTON (0.50) (TEIKOKU)	(1)	-	-----	RHG4
	13013-Z5H-004	RING SET, PISTON (0.75) (TEIKOKU)	(1)	-	-----	RHG4

Ref. No.	Part No.	Description	Reqd. QTY		Serial No.	Parts catalogue code
			GX 270 U	GX 270 R		
2	13101-ZH9-000	PISTON (STD.)	1	-		HA2,HEA2,HEA8,HXQ4,HX26,HX8,LXE8,LXQ4,LXU,PAE2,PA2,PXE8,PXU,PX26,QAE2,QAE6,QAG,QAG2,QAQ4,QAR2,QAW,QA2,QA26,QE,QHE4,QHQ4,QHR,QHR4,QH26,QKE3,QKE4,QME2,QSC9,QSE2,QSE8,QWA4,QWH2,QXB,QXB6,QXB7,QXB9,QXC4,QXC6,QXC9,QXE4,QXE6,QXE8,QXQ4,QXU,RA2,RHE4,RHQ4,RH26,RSC2,RXQ4,RXU,SAX4,SE,SHQ4,SMC4,SME1,SME6,SMX2,SWA4,SWC4, SXB, SXB7, SXB9, SXEB, SXE4, SXE8, SXQ4, SXU VAG2,VA2,VDE2,VE39,VKB2,VKE4,VKE9,VKQ4,VKX4,VKX9,VMA4,VME2,VME4,VMS2,VMX2,VM2,VNG1,VNT2,VN17,VN19,VPE4,VPE5,VPE7,VPE9,VPX4,VPX5,VPX7,VPX9,VSD,VSD3,VSD7,VSD9,VSH7,VSH9,VS37,VS39,VWA2,VWN2,VWT4,VW12,VXB,VXB7,VXB9,VXEB,VXE4,VXE6,VXE7,VXE9,VXQ4,VXU1,VX2,VX39,WMA4,WMT8
	13102-ZH9-000	PISTON (0.25)	(1)	-		HA2,HEA2,HEA8,HXQ4,HX26,HX8,LXE8,LXQ4,LXU,PAE2,PA2,PXE8,PXU,PX26,QAE2,QAE6,QAG,QAG2,QAQ4,QAR2,QAW,QA2,QA26,QE,QHE4,QHQ4,QHR,QHR4,QH26,QKE3,QKE4,QME2,QSC9,QSE2,QSE8,QWA4,QWH2,QXB,QXB6,QXB7,QXB9,QXC4,QXC6,QXC9,QXE4,QXE6,QXE8,QXQ4,QXU,RA2,RHE4,RHQ4,RH26,RSC2,RXQ4,RXU,SAX4,SE,SHQ4,SMC4,SME1,SME6,SMX2,SWA4,SWC4, SXB, SXB7, SXB9, SXEB, SXE4, SXE8, SXQ4, SXU VAG2,VA2,VDE2,VE39,VKB2,VKE4,VKE9,VKQ4,VKX4,VKX9,VMA4,VME2,VME4,VMS2,VMX2,VM2,VNG1,VNT2,VN17,VN19,VPE4,VPE5,VPE7,VPE9,VPX4,VPX5,VPX7,VPX9,VSD,VSD3,VSD7,VSD9,VSH7,VSH9,VS37,VS39,VWA2,VWN2,VWT4,VW12,VXB,VXB7,VXB9,VXEB,VXE4,VXE6,VXE7,VXE9,VXQ4,VXU1,VX2,VX39,WMA4,WMT8
	13103-ZH9-000	PISTON (0.50)	(1)	-		HA2,HEA2,HEA8,HXQ4,HX26,HX8,LXE8,LXQ4,LXU,PAE2,PA2,PXE8,PXU,PX26,QAE2,QAE6,QAG,QAG2,QAQ4,QAR2,QAW,QA2,QA26,QE,QHE4,QHQ4,QHR,QHR4,QH26,QKE3,QKE4,QME2,QSC9,QSE2,QSE8,QWA4,QWH2,QXB,QXB6,QXB7,QXB9,QXC4,QXC6,QXC9,QXE4,QXE6,QXE8,QXQ4,QXU,RA2,RHE4,RHQ4,RH26,RSC2,RXQ4,RXU,SAX4,SE,SHQ4,SMC4,SME1,SME6,SMX2,SWA4,SWC4, SXB, SXB7, SXB9, SXEB, SXE4, SXE8, SXQ4, SXU VAG2,VA2,VDE2,VE39,VKB2,VKE4,VKE9,VKQ4,VKX4,VKX9,VMA4,VME2,VME4,VMS2,VMX2,VM2,VNG1,VNT2,VN17,VN19,VPE4,VPE5,VPE7,VPE9,VPX4,VPX5,VPX7,VPX9,VSD,VSD3,VSD7,VSD9,VSH7,VSH9,VS37,VS39,VWA2,VWN2,VWT4,VW12,VXB,VXB7,VXB9,VXEB,VXE4,VXE6,VXE7,VXE9,VXQ4,VXU1,VX2,VX39,WMA4,WMT8
	13104-ZH9-000	PISTON (0.75)	(1)	-		HA2,HEA2,HEA8,HXQ4,HX26,HX8,LXE8,LXQ4,LXU,PAE2,PA2,PXE8,PXU,PX26,QAE2,QAE6,QAG,QAG2,QAQ4,QAR2,QAW,QA2,QA26,QE,QHE4,QHQ4,QHR,QHR4,QH26,QKE3,QKE4,QME2,QSC9,QSE2,QSE8,QWA4,QWH2,QXB,QXB6,QXB7,QXB9,QXC4,QXC6,QXC9,QXE4,QXE6,QXE8,QXQ4,QXU,RA2,RHE4,RHQ4,RH26,RSC2,RXQ4,RXU,SAX4,SE,SHQ4,SMC4,SME1,SME6,SMX2,SWA4,SWC4, SXB, SXB7, SXB9, SXEB, SXE4, SXE8, SXQ4, SXU VAG2,VA2,VDE2,VE39,VKB2,VKE4,VKE9,VKQ4,VKX4,VKX9,VMA4,VME2,VME4,VMS2,VMX2,VM2,VNG1,VNT2,VN17,VN19,VPE4,VPE5,VPE7,VPE9,VPX4,VPX5,VPX7,VPX9,VSD,VSD3,VSD7,VSD9,VSH7,VSH9,VS37,VS39,VWA2,VWN2,VWT4,VW12,VXB,VXB7,VXB9,VXEB,VXE4,VXE6,VXE7,VXE9,VXQ4,VXU1,VX2,VX39,WMA4,WMT8
	13101-ZH9-010	PISTON (STD.)	1	-		RHG4
	13102-ZH9-010	PISTON (0.25)	(1)	-		RHG4
	13103-ZH9-010	PISTON (0.50)	(1)	-		RHG4
	13104-ZH9-010	PISTON (0.75)	(1)	-		RHG4
3	13111-ZE2-000	PIN, PISTON	1	1		
4	13200-ZE2-010	ROD ASSY., CONNECTING (STD.)	1	1		
	13200-ZE2-305	ROD ASSY., CONNECTING (0.25 UNDER SIZE)	(1)	(1)		
5	90001-ZE8-000	BOLT, CONNECTING ROD	2	2		
6	90551-ZE1-000	CLIP, PISTON PIN, 18MM	2	2		



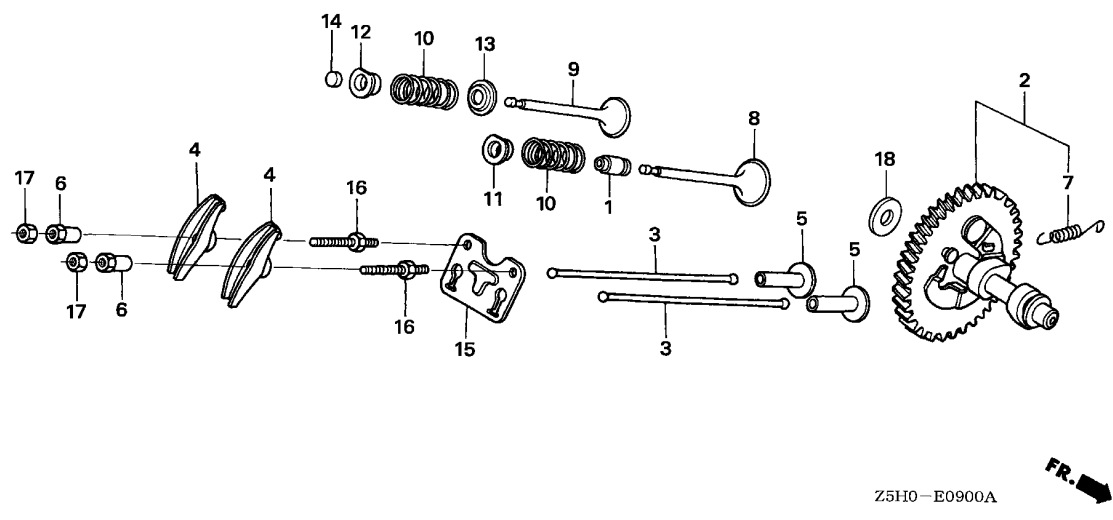
E-9

CAMSHAFT



Ref. No.	L.O.N.	(Relative ref. Number) Description	F.R.T.
1	1111K2	SEAL, INTAKE VALVE STEM ..... .INCLUDES: Valve clearance adjustment	0.6
2	1111C2	CAMSHAFT .....	0.4
3	1111L6	ROD, PUSH :INTAKE ..... .INCLUDES: Valve clearance adjustment	0.2
	1111L6A	.Replace exhaust push rod add	0.1
	1111L7	ROD, PUSH :EXHAUST ..... .INCLUDES: Valve clearance adjustment	0.2
	1111L7A	.Replace intake push rod add	0.1
4	1111A2	ARM, ROCKER :INTAKE ..... .INCLUDES: Valve clearance adjustment	0.2
	1111A2A	.Replace exhaust rocker arm add .....	0.1
	1111A1	ARM, ROCKER :EXHAUST ..... .INCLUDES: Valve clearance adjustment	0.2
	1111A1A	.Replace intake rocker arm add	0.1
5	1111L9	LIFTER, VALVE :INTAKE ..... .INCLUDES: Valve clearance adjustment	0.4
+		.NOTE: Same time for two units	

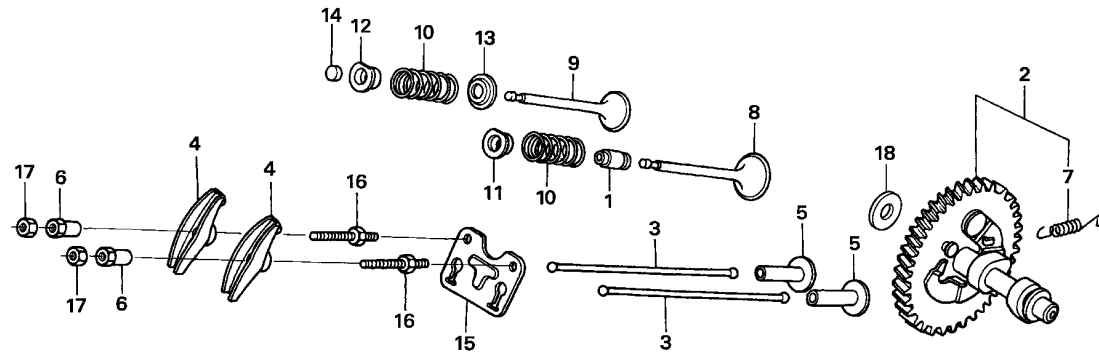
Ref. No.	Part No.	Description	Reqd. QTY		Serial No.	Parts catalogue code
			GX 270 U	GX 270 R		
1	12209-ZE8-003	SEAL, VALVE STEM .....	1	1		
2	14100-ZE3-020	CAMSHAFT ASSY. ....	1	-	-----	HA2,HEA2,HEA8,HXQ4,HX26,HX8,LXE8,LXQ4,LXU,PAE2,PA2,PXE8,PXU,PX26,QAE2,QAE6,QAG,QAG2,QAQ4,QAR2,QAW,QA2,QA26,QHE4,QHQ4,QHR,QHR4,QH26,QKE4,QME2,QSC9,QSE2,QSE8,QWA4,QWH2,QXB,QXB6,QXC6,QXC9,QXE4,QXE6,QXE8,QXQ4,QXU,RA2,RHE4,RHG4,RHQ4,RH26,RSC2,RXQ4,RXU,SAX4,SHQ4,SME1,SMX2,SWA4,SWC4,SXB,SXEB,SXE4,SXE8,SXQ4,SXU,VAG2,VA2,VDE2,VKB2,VKQ4,VMA4,VME2,VME4,VMS2,VMX2,VM2,VNG1,VNT2,VSD,VWA2,VWN2,VW12,VXB,VXEB,VXE4,VXE6,VXQ4,VXU1,VX2,WMA4,WMT8
	14100-ZH9-010	.....	-	1	-----	QE,QKE3,QXC4,SE,SMC4,SME6,VKE4,VKX4,VPE4,VPE5,VPX4,VPX5,VSD3,VWT4
	14100-ZK3-870	.....	1	-	-----	QXB7,SXB7,VN17,VSD7,VSH7,VXB7,VXE7
	14100-ZK9-870	.....	1	-	-----	VPE7,VPX7,VS37
	14100-ZK3-880	.....	1	-	-----	QXB9,SXB9,VN19,VSD9,VSH9,VXB9,VXE9
	14100-ZK9-880	.....	1	-	-----	VE39,VKE9,VKX9,VPE9,VPX9,VS39,VX39
3	14410-ZE2-013	ROD, PUSH .....	2	2		
4	14431-ZE2-010	ARM, VALVE ROCKER .....	2	2		
5	14441-ZE2-000	LIFTER, VALVE .....	2	2		
6	14451-ZE1-013	PIVOT, ROCKER ARM .....	2	2		
7	14568-ZE1-000	SPRING, WEIGHT RETURN .....	1	1		
8	14711-ZE2-000	VALVE, IN. ....	1	1		
9	14721-ZE2-000	VALVE, EX. ....	1	1		
10	14751-ZE2-003	SPRING, VALVE .....	2	2		
11	14771-ZE2-000	RETAINER, IN. VALVE SPRING ..	1	1		
12	14773-ZE2-000	RETAINER, EX. VALVE SPRING ..	1	1		
13	14775-ZE2-010	SEAT, VALVE SPRING .....	1	1		
14	14781-ZE2-000	ROTATOR, VALVE .....	1	1		
15	14791-ZE2-010	PLATE, PUSH ROD GUIDE .....	1	1		



Ref. No.	L.O.N.	(Relative ref. Number) Description	F.R.T.
+ 5	1111M0	LIFTER, VALVE :EXHAUST ..... .INCLUDES: Valve clearance adjustment .NOTE: Same time for two units	0.4
8	1111L1	VALVE, INTAKE ..... .INCLUDES: Valve clearance adjustment and reface	0.7
	1111L1E	.Replace intake and exhaust all add .....	0.1
9	1111L0	VALVE, EXHAUST ..... .INCLUDES: Valve clearance adjustment and reface	0.7
	1111L0E	.Replace intake and exhaust all add .....	0.1
10	1111P3	SPRING, VALVE :INTAKE ..... .INCLUDES: Valve clearance adjustment	0.6
	1111P3A	.Replace intake and exhaust all add .....	0.1
	1111P4	SPRING, VALVE :EXHAUST ..... .INCLUDES: Valve clearance adjustment	0.6
	1111P4A	.Replace intake and exhaust all add .....	0.1
+14	1111J7	ROTATOR, VALVE .....	0.2

Ref. No.	Part No.	Description	Reqd. QTY		Serial No.	Parts catalogue code
			GX 270 U	GX 270 R		
16	90012-ZE0-010	BOLT, PIVOT, 8MM .....	2	2		
17	90206-ZE1-000	NUT, PIVOT ADJUSTING .....	2	2		
18	90413-ZK6-880	WASHER, THRUST, 16.1MM .....	1	-	-----	QXB9,SXB9,VE39,VKE9,VKX9,VN19,VPE9,VPX9,VSD9,VSH9,VS39,VXB9,VXE9,VX39



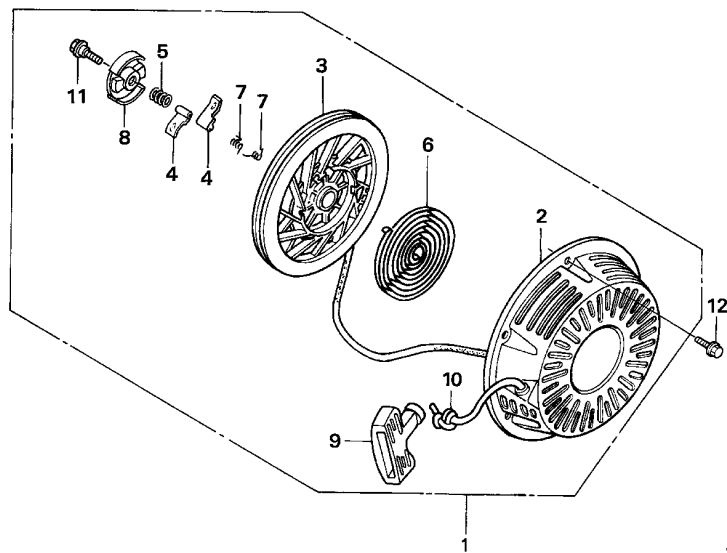


Ref. No.	L.O.N. (Relative ref. Number)	Description	F.R.T.
----------	-------------------------------	-------------	--------

+14		.INCLUDES: Valve clearance adjustment	
-----	--	---------------------------------------	--

Z5H0-E0900A





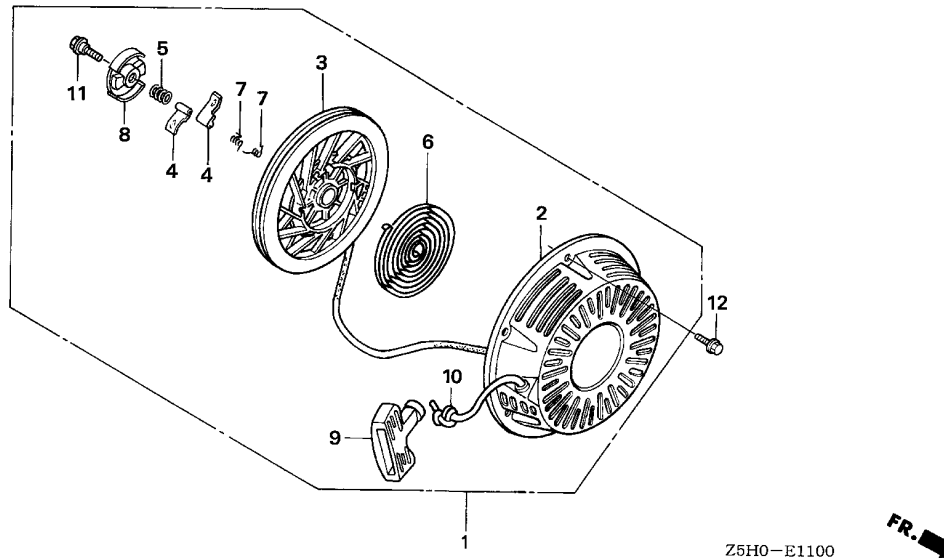
Z5H0-E1100

Ref. No.	L.O.N.	(Relative ref. Number) Description	F.R.T.
1	1121B9	STARTER, RECOIL .....	0.1
3	1121B1	REEL, RECOIL STARTER .....	0.3
4	1121B0	RATCHET, STARTER AND/OR SPRING, RATCHET .....	0.2
6	1121B7	SPRING, RECOIL STARTER RETURN (5)	0.3
8	1121B2	RETAINER, SPRING .....	0.2
10	1121B3	ROPE, RECOIL STARTER .....	0.3

Ref. No.	Part No.	Description	Reqd. QTY		Serial No.	Parts catalogue code
			GX 270 U	GX 270 R		
1	28400-ZE2-W01ZB	STARTER ASSY., RECOIL	1	-		
	*NH1*	.....BLACK				HA2, PA2, PXU, QAE2, QAG2, QAQ4, QAR2, QA2, QWA4, QWH2, QXC9, RA2, SMX2, SWC4, VA2, VE39, VKE4, VKE9, VKQ4, VKX4, VKX9, VMA4, VME2, VME4, VM2, VNG1, VN17, VN19, VSD7, VW12, VXE4, VXE7, VXE9, VX2
	28400-ZE2-W01ZC	*T39*.....GEKO BLUE	1	-		VNG1
	28400-ZE2-W01ZD	*T41*...BARTELL BLUE METALLIC	1	-		QAQ4, QA2, QA26
	28400-ZE2-W01ZG	*NH105*...MAT BLACK (#15-#20)	1	-		VME2, VMS2, VMX2, VM2, VWA2, VW12
	28400-ZE2-W01ZN	*R280*.....POWER RED	1	-		HA2, HEA2, HEA8, HXQ4, HX26, HX8, LXE8, LXQ4, LXU, PAE2, PA2, PXE8, PXU, PX26, QAE2, QAE6, QAG, QAG2, QAQ4, QAR2, QAW, QA2, QA26, QE, QHE4, QHQ4, QHR, QHR4, QH26, QME2, QSC9, QSE2, QSE8, QWA4, QXB, QXB6, QXB7, QXB9, QXC4, QXC6, QXC9, QXE4, QXE6, QXE8, QXQ4, QXU, RA2, RHE4, RHG4, RHQ4, RH26, RSC2, RXQ4, RXU, SAX4, SE, SHQ4, SME4, SME1, SME6, SWA4, SWC4, SXB, SXB7, SXB9, SXEB, SXE4, SXE8, SXQ4, SXU, VAG2, VA2, VDE2, VE39, VKB2, VME2, VM2, VNG1, VNT2, VN17, VN19, VPE4, VPE5, VPE7, VPE9, VPX4, VPX5, VPX7, VPX9, VSD, VSD3, VSD7, VSD9, VSH7, VSH9, VS37, VS39, VWA2, VWN2, VWT4, VW12, VXB, VXB7, VXB9, VXEB, VXE4, VXE6, VXE7, VXE9, VXQ4, VXU1, VX2, VX39, WMA4, WMT8
2	28410-ZE2-W01ZB	CASE COMP., RECOIL STARTER	-	1		
	*NH1*	.....BLACK	1	-		HA2, PA2, PXU, QAE2, QAG2, QAQ4, QAR2, QA2, QWA4, QWH2, QXC9, RA2, SMX2, SWC4, VA2, VE39, VKE4, VKE9, VKQ4, VKX4, VKX9, VMA4, VME2, VME4, VM2, VNG1, VN17, VN19, VSD7, VW12, VXE4, VXE7, VXE9, VX2
	28410-ZE2-W01ZC	*T39*.....GEKO BLUE	1	-		VNG1
	28410-ZE2-W01ZD	*T41*...BARTELL BLUE METALLIC	1	-		QAQ4, QA2, QA26
	28410-ZE2-W01ZG	*NH105*...MAT BLACK (#15-#20)	1	-		VME2, VMS2, VMX2, VM2, VWA2, VW12





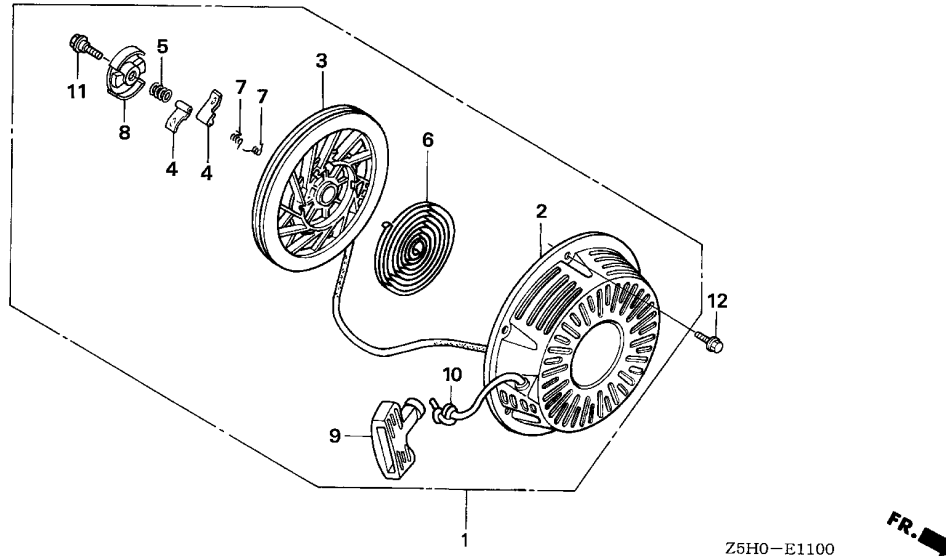


Z5H0-E1100

Ref. No.	Part No.	Description	Reqd. QTY		Serial No.	Parts catalogue code
			GX 270 U	GX 270 R		
(2)	28410-ZE2-W01ZN	CASE COMP., RECOIL STARTER *R280*.....POWER RED	1	-	-----	HA2,HEA2,HEA8,HXQ4,HX26,HX8,LXE8,LXQ4,LXU,PAE2,PA2,PXE8,PXU,PX26,QAE2,QAE6,QAG,QAG2,QAQ4,QR2,QAW,QA2,QA26,QE,QHE4,QHQ4,QHR,QHR4,QH26,QME2,QSC9,QSE2,QSE8,QWA4,QXB,QXB6,QXB7,QXB9,QXC4,QXC6,QXC9,QXE4,QXE6,QXE8,QXQ4,QXU,RA2,RHE4,RHG4,RHQ4,RH26,RSC2,RXQ4,RXU,SAX4,SE,SHQ4,SMC4,SME1,SME6,SWA4,SWC4,SBX,SBX7,SBX9,SXEB,SXE4,SXE8,SXQ4,SXU,VAG2,VA2,VDE2,VE39,VKB2,VME2,VM2,VNG1,VNT2,VN17,VN19,VPE4,VPE5,VPE7,VPE9,VPX4,VPX5,VPX7,VPX9,VSD,VSD3,VSD7,VSD9,VSH7,VSH9,VS37,VS39,VWA2,VWN2,VWT4,VW12,VXB,VXB7,VXB9,VXEB,VXE4,VXE6,VXE7,VXE9,VXQ4,VXU1,VX2,VX39,WMA4,WMT8
3	28421-ZE2-W01	PULLEY, RECOIL STARTER .....	1	-	-----	HA2,HEA2,HEA8,HXQ4,HX26,HX8,LXE8,LXQ4,LXU,PAE2,PA2,PXE8,PXU,PX26,QAE2,QAE6,QAG,QAG2,QAQ4,QR2,QAW,QA2,QA26,QE,QHE4,QHQ4,QHR,QHR4,QH26,QME2,QSC9,QSE2,QSE8,QWA4,QWH2,QXB,QXB6,QXB7,QXB9,QXC4,QXC6,QXC9,QXE4,QXE6,QXE8,QXQ4,QXU,RA2,RHE4,RHG4,RHQ4,RH26,RSC2,RXQ4,RXU,SAX4,SE,SHQ4,SMC4,SME1,SME6,SMX2,SWA4,SWC4,SBX,SBX7,SBX9,SXEB,SXE4,SXE8,SXQ4,SXU,VAG2,VA2,VDE2,VE39,VKB2,VKE4,VKE9,VKQ4,VKX4,VKX9,VMA4,VME2,VME4,VMS2,VMX2,VM2,VNG1,VNT2,VN17,VN19,VPE4,VPE5,VPE7,VPE9,VPX4,VPX5,VPX7,VPX9,VSD,VSD3,VSD7,VSD9,VSH7,VSH9,VS37,VS39,VWA2,VWN2,VWT4,VW12,VXB,VXB7,VXB9,VXEB,VXE4,VXE6,VXE7,VXE9,VXQ4,VXU1,VX2,VX39,WMA4,WMT8
			-	1		

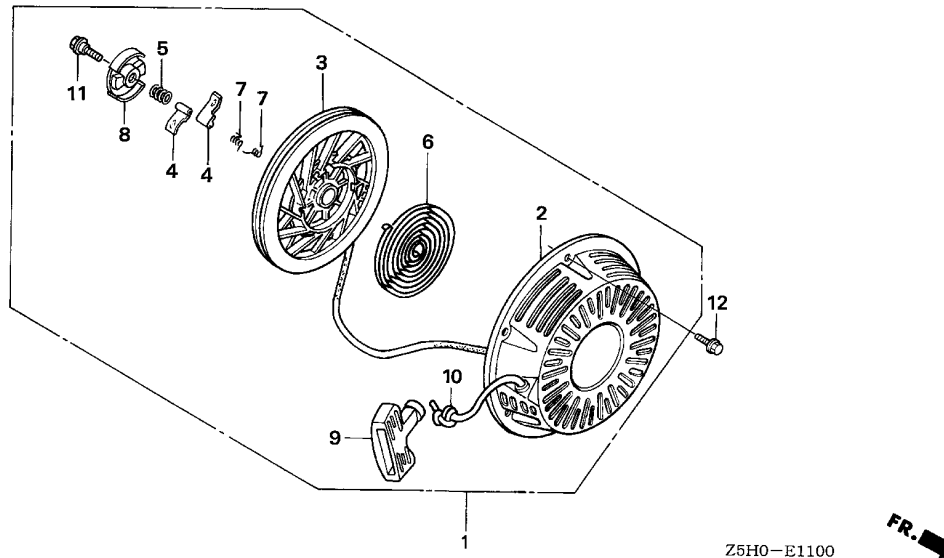
Ref. No.	Part No.	Description	Reqd. QTY		Serial No.	Parts catalogue code
			GX 270 U	GX 270 R		
4	28422-ZE2-W01	RATCHET, STARTER .....	2	-	-----	HA2,HEA2,HEA8,HXQ4,HX26,HX8,LXE8,LXQ4,LXU,PAE2,PA2,PXE8,PXU,PX26,QAE2,QAE6,QAG,QAG2,QAQ4,QAR2,QAW,QA2,QA26,QE,QHE4,QHQ4,QHR,QHR4,QH26,QME2,QSC9,QSE2,QSE8,QWA4,QWH2,QXB,QXB6,QXB7,QXB9,QXC4,QXC6,QXC9,QXE4,QXE6,QXE8,QXQ4,QXU,RA2,RHE4,RHG4,RHQ4,RH26,RSC2,RXQ4,RXU,SAX4,SE,SHQ4,SMC4,SME1,SME6,SMX2,SWA4,SWC4,SWB,SXB7,SXB9,SXEB,SXE4,SXE8,SXQ4,SXU,VAG2,VA2,VDE2,VE39,VKB2,VKE4,VKE9,VKQ4,VKX4,VKX9,VMA4,VME2,VME4,VMS2,VMX2,VM2,VNG1,VNT2,VN17,VN19,VPE4,VPE5,VPE7,VPE9,VPX4,VPX5,VPX7,VPX9,VSD,VSD3,VSD7,VSD9,VSH7,VSH9,VS37,VS39,VWA2,VWN2,VWT4,VW12,VXB,VXB7,VXB9,VXEB,VXE4,VXE6,VXE7,VXE9,VXQ4,VXU1,VX2,VX39,WMA4,WMT8
5	28441-ZE2-W01	SPRING, FRICTION .....	-	2	-----	HA2,HEA2,HEA8,HXQ4,HX26,HX8,LXE8,LXQ4,LXU,PAE2,PA2,PXE8,PXU,PX26,QAE2,QAE6,QAG,QAG2,QAQ4,QAR2,QAW,QA2,QA26,QE,QHE4,QHQ4,QHR,QHR4,QH26,QME2,QSC9,QSE2,QSE8,QWA4,QWH2,QXB,QXB6,QXB7,QXB9,QXC4,QXC6,QXC9,QXE4,QXE6,QXE8,QXQ4,QXU,RA2,RHE4,RHG4,RHQ4,RH26,RSC2,RXQ4,RXU,SAX4,SE,SHQ4,SMC4,SME1,SME6,SMX2,SWA4,SWC4,SWB,SXB7,SXB9,SXEB,SXE4,SXE8,SXQ4,SXU,VAG2,VA2,VDE2,VE39,VKB2,VKE4,VKE9,VKQ4,VKX4,VKX9,VMA4,VME2,VME4,VMS2,VMX2,VM2,VNG1,VNT2,VN17,VN19,VPE4,VPE5,VPE7,VPE9,VPX4,VPX5,VPX7,VPX9,VSD,VSD3,VSD7,VSD9,VSH7,VSH9,VS37,VS39,VWA2,VWN2,VWT4,VW12,VXB,VXB7,VXB9,VXEB,VXE4,VXE6,VXE7,VXE9,VXQ4,VXU1,VX2,VX39,WMA4,WMT8
6	28442-ZE2-W01	SPRING, STARTER RETURN .....	-	1	-----	HA2,HEA2,HEA8,HXQ4,HX26,HX8,LXE8,LXQ4,LXU,PAE2,PA2,PXE8,PXU,PX26,QAE2,QAE6,QAG,QAG2,QAQ4,QAR2,QAW,QA2,QA26,QE,QHE4,QHQ4,QHR,QHR4,QH26,QME2,QSC9,QSE2,QSE8,QWA4,QWH2,QXB,QXB6,QXB7,QXB9,QXC4,QXC6,QXC9,QXE4,QXE6,QXE8,QXQ4,QXU,RA2,RHE4,RHG4,RHQ4,RH26,RSC2,RXQ4,RXU,SAX4,SE,SHQ4,SMC4,SME1,SME6,SMX2,SWA4,SWC4,SWB,SXB7,SXB9,SXEB,SXE4,SXE8,SXQ4,SXU,VAG2,VA2,VDE2,VE39,VKB2,VKE4,VKE9,VKQ4,VKX4,VKX9,VMA4,VME2,VME4,VMS2,VMX2,VM2,VNG1,VNT2,VN17,VN19,VPE4,VPE5,VPE7,VPE9,VPX4,VPX5,VPX7,VPX9,VSD,VSD3,VSD7,VSD9,VSH7,VSH9,VS37,VS39,VWA2,VWN2,VWT4,VW12,VXB,VXB7,VXB9,VXEB,VXE4,VXE6,VXE7,VXE9,VXQ4,VXU1,VX2,VX39,WMA4,WMT8
7	28443-ZE2-W01	SPRING, RATCHET .....	-	1	-----	HA2,HEA2,HEA8,HXQ4,HX26,HX8,LXE8,LXQ4,LXU,PAE2,PA2,PXE8,PXU,PX26,QAE2,QAE6,QAG,QAG2,QAQ4,QAR2,QAW,QA2,QA26,QE,QHE4,QHQ4,QHR,QHR4,QH26,QME2,QSC9,QSE2,QSE8,QWA4,QWH2,QXB,QXB6,QXB7,QXB9,QXC4,QXC6,QXC9,QXE4,QXE6,QXE8,QXQ4,QXU,RA2,RHE4,RHG4,RHQ4,RH26,RSC2,RXQ4,RXU,SAX4,SE,SHQ4,SMC4,SME1,SME6,SMX2,SWA4,SWC4,SWB,SXB7,SXB9,SXEB,SXE4,SXE8,SXQ4,SXU,VAG2,VA2,VDE2,VE39,VKB2,VKE4,VKE9,VKQ4,VKX4,VKX9,VMA4,VME2,VME4,VMS2,VMX2,VM2,VNG1,VNT2,VN17,VN19,VPE4,VPE5,VPE7,VPE9,VPX4,VPX5,VPX7,VPX9,VSD,VSD3,VSD7,VSD9,VSH7,VSH9,VS37,VS39,VWA2,VWN2,VWT4,VW12,VXB,VXB7,VXB9,VXEB,VXE4,VXE6,VXE7,VXE9,VXQ4,VXU1,VX2,VX39,WMA4,WMT8
8	28444-ZE2-W01	RETAINER, SPRING .....	-	2	-----	HA2,HEA2,HEA8,HXQ4,HX26,HX8,LXE8,LXQ4,LXU,PAE2,PA2,PXE8,PXU,PX26,QAE2,QAE6,QAG,QAG2,QAQ4,QAR2,QAW,QA2,QA26,QE,QHE4,QHQ4,QHR,QHR4,QH26,QME2,QSC9,QSE2,QSE8,QWA4,QWH2,QXB,QXB6,QXB7,QXB9,QXC4,QXC6,QXC9,QXE4,QXE6,QXE8,QXQ4,QXU,RA2,RHE4,RHG4,RHQ4,RH26,RSC2,RXQ4,RXU,SAX4,SE,SHQ4,SMC4,SME1,SME6,SMX2,SWA4,SWC4,SWB,SXB7,SXB9,SXEB,SXE4,SXE8,SXQ4,SXU,VAG2,VA2,VDE2,VE39,VKB2,VKE4,VKE9,VKQ4,VKX4,VKX9,VMA4,VME2,VME4,VMS2,VMX2,VM2,VNG1,VNT2,VN17,VN19,VPE4,VPE5,VPE7,VPE9,VPX4,VPX5,VPX7,VPX9,VSD,VSD3,VSD7,VSD9,VSH7,VSH9,VS37,VS39,VWA2,VWN2,VWT4,VW12,VXB,VXB7,VXB9,VXEB,VXE4,VXE6,VXE7,VXE9,VXQ4,VXU1,VX2,VX39,WMA4,WMT8





Z5H0-E1100

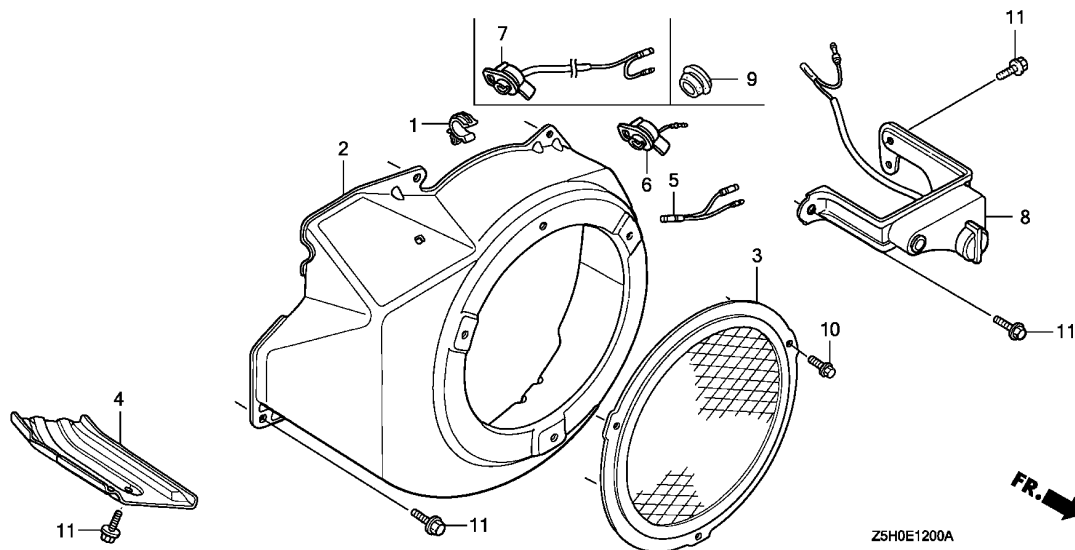
Ref. No.	Part No.	Description	Reqd. QTY		Serial No.	Parts catalogue code
			GX 270 U	GX 270 R		
9	28461-ZE2-W02	GRIP, STARTER .....	1	-	-----	HA2,HEA2,HEA8,HXQ4,HX26,HX8,LXE8,LXQ4,LXU,PAE2,PA2,PXE8,PXU,PX26,QAE2,QAE6,QAG,QAG2,QAQ4,QAR2,QAW,QA2,QA26,QE,QHE4,QHQ4,QHR,QHR4,QH26,QME2,QSC9,QSE2,QSE8,QWA4,QWH2,QXB,QXB6,QXB7,QXB9,QXC4,QXC6,QXC9,QXE4,QXE6,QXE8,QXQ4,QXU,RA2,RHE4,RHG4,RHQ4,RH26,RSC2,RXQ4,RXU,SAX4,SE,SHQ4,SMC4,SME1,SME6,SMX2,SWA4,SWC4,SXB,SXB7,SXB9,SXEB,SXE4,SXE8,SXQ4,SXU,VAG2,VA2,VDE2,VE39,VKB2,VKE4,VKE9,VKQ4,VKX4,VKX9,VMA4,VME2,VME4,VMS2,VMX2,VM2,VNG1,VNT2,VN17,VN19,VPE4,VPE5,VPE7,VPE9,VPX4,VPX5,VPX7,VPX9,VSD,VSD3,VSD7,VSD9,VSH7,VSH9,VS37,VS39,VWA2,VWN2,VWT4,VW12,VXB,VXB7,VXB9,VXEB,VXE4,VXE6,VXE7,VXE9,VXQ4,VXU1,VX2,VX39,WMA4,WMT8
10	28462-ZE2-W11	ROPE, RECOIL STARTER .....	-	1	-----	HA2,HEA2,HEA8,HXQ4,HX26,HX8,LXE8,LXQ4,LXU,PAE2,PA2,PXE8,PXU,PX26,QAE2,QAE6,QAG,QAG2,QAQ4,QAR2,QAW,QA2,QA26,QE,QHE4,QHQ4,QHR,QHR4,QH26,QME2,QSC9,QSE2,QSE8,QWA4,QWH2,QXB,QXB6,QXB7,QXB9,QXC4,QXC6,QXC9,QXE4,QXE6,QXE8,QXQ4,QXU,RA2,RHE4,RHG4,RHQ4,RH26,RSC2,RXQ4,RXU,SAX4,SE,SHQ4,SMC4,SME1,SME6,SMX2,SWA4,SWC4,SXB,SXB7,SXB9,SXEB,SXE4,SXE8,SXQ4,SXU,VAG2,VA2,VDE2,VE39,VKB2,VKE4,VKE9,VKQ4,VKX4,VKX9,VMA4,VME2,VME4,VMS2,VMX2,VM2,VNG1,VNT2,VN17,VN19,VPE4,VPE5,VPE7,VPE9,VPX4,VPX5,VPX7,VPX9,VSD,VSD3,VSD7,VSD9,VSH7,VSH9,VS37,VS39,VWA2,VWN2,VWT4,VW12,VXB,VXB7,VXB9,VXEB,VXE4,VXE6,VXE7,VXE9,VXQ4,VXU1,VX2,VX39,WMA4,WMT8



Z5H0-E1100

Ref. No.	Part No.	Description	Reqd. QTY		Serial No.	Parts catalogue code
			GX 270 U	GX 270 R		
11	90004-ZE2-W01	SCREW, CENTER	1	-		HA2, HEA2, HEA8, HXQ4, HX26, HX8, LXE8, LXQ4, LXU, PAE2, PA2, PXE8, PXU, PX26, QAE2, QAE6, QAG, QAG2, QAQ4, QAR2, QAW, QA2, QA26, QE, QHE4, QHQ4, QHR, QHR4, QH26, QME2, QSC9, QSE2, QSE8, QWA4, QWH2, QXB, QXB6, QXB7, QXB9, QXC4, QXC6, QXC9, QXE4, QXE6, QXE8, QXQ4, QXU, RA2, RHE4, RHG4, RHQ4, RH26, RSC2, RXQ4, RXU, SAX4, SE, SHQ4, SMC4, SME1, SME6, SMX2, SWA4, SWC4, SXB, SXB7, SXB9, SXEB, SXE4, SXE8, SXQ4, SXU, VAG2, VA2, VDE2, VE39, VKB2, VKE4, VKE9, VKQ4, VKX4, VKX9, VMA4, VME2, VME4, VMS2, VMX2, VM2, VNG1, VNT2, VN17, VN19, VPE4, VPE5, VPE7, VPE9, VPX4, VPX5, VPX7, VPX9, VSD, VSD3, VSD7, VSD9, VSH7, VSH9, VS37, VS39, VWA2, VWN2, VWT4, VW12, VXB, VXB7, VXB9, VXEB, VXE4, VXE6, VXE7, VXE9, VXQ4, VXU1, VX2, VX39, WMA4, WMT8
12	90008-ZE2-003	BOLT, FLANGE, 6X10	-	1		HA2, HEA2, HEA8, HXQ4, HX26, HX8, LXE8, LXQ4, LXU, PAE2, PA2, PXE8, PXU, PX26, QAE2, QAE6, QAG, QAG2, QAQ4, QAR2, QAW, QA2, QA26, QE, QHE4, QHQ4, QHR, QHR4, QH26, QME2, QSC9, QSE2, QSE8, QWA4, QWH2, QXB, QXB6, QXB7, QXB9, QXC4, QXC6, QXC9, QXE4, QXE6, QXE8, QXQ4, QXU, RA2, RHE4, RHG4, RHQ4, RH26, RSC2, RXQ4, RXU, SAX4, SE, SHQ4, SMC4, SME1, SME6, SMX2, SWA4, SWC4, SXB, SXB7, SXB9, SXEB, SXE4, SXE8, SXQ4, SXU, VAG2, VA2, VDE2, VE39, VKB2, VKE4, VKE9, VKQ4, VKX4, VKX9, VMA4, VME2, VME4, VMS2, VMX2, VM2, VNG1, VNT2, VN17, VN19, VPE4, VPE5, VPE7, VPE9, VPX4, VPX5, VPX7, VPX9, VSD, VSD3, VSD7, VSD9, VSH7, VSH9, VS37, VS39, VWA2, VWN2, VWT4, VW12, VXB, VXB7, VXB9, VXEB, VXE4, VXE6, VXE7, VXE9, VXQ4, VXU1, VX2, VX39, WMA4, WMT8
			-	3		



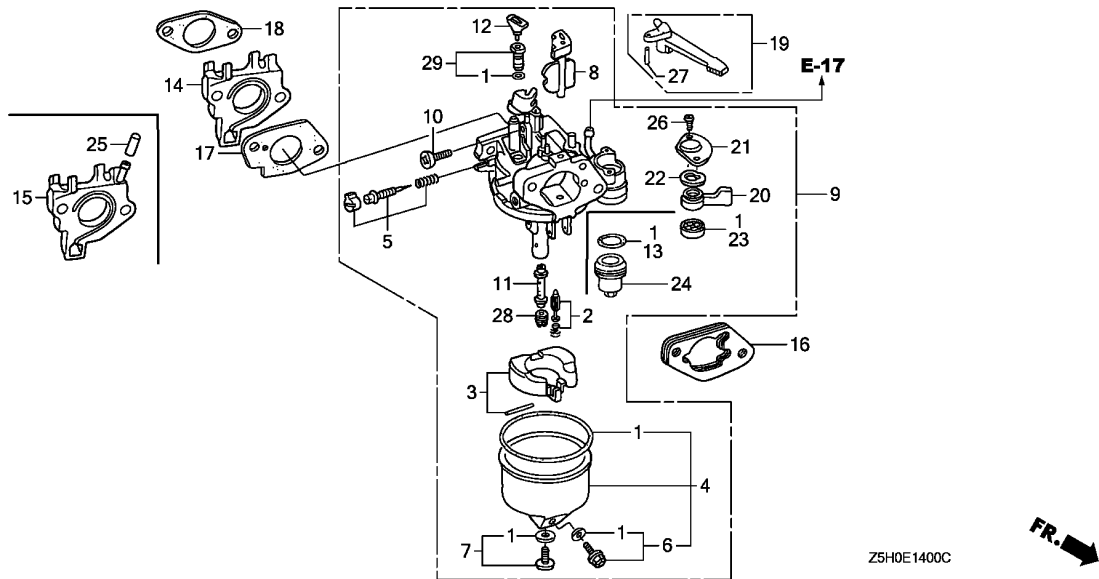


Ref. No.	L.O.N.	(Relative ref. Number) Description	F.R.T.
2	1141G8	COVER, ENGINE COOLING FAN .....	0.2
5	6111H1	SUB HARNESS, ENGINE SWITCH/ ENGINE STOP SWITCH .....	0.1
6	6151D9	(7,8) SWITCH, ENGINE STOP .....	0.1

Ref. No.	Part No.	Description	Reqd. QTY		Serial No.	Parts catalogue code
			GX 270 U	GX 270 R		
1	16731-ZE2-003	CLIP, TUBE .....	1	1	-----	HA2, HEA2, HEA8, HXQ4, HX26, HX8, LXE8, LXQ4, LXU, PAE2, PA2, PXE8, PXU, PX26, QAE2, QAE6, QAG, QAG2, QAQ4, QAR2, QAW, QA2, QA26, QE, QHE4, QHQ4, QHR, QHR4, QH26, QKE3, QKE4, QME2, QSC9, QSE2, QSE8, QWA4, QWH2, QXB, QXB6, QXB7, QXB9, QXC4, QXC6, QXC9, QXE4, QXE6, QXE8, QXQ4, QXU, RA2, RHE4, RHG4, RHQ4, RH26, RXQ4, RXU, SAX4, SE, SHQ4, SMC4, SME1, SME6, SMX2, SWA4, SWC4, SXB, SXB7, SXB9, SXEB, SXE4, SXE8, SXQ4, SXU, VAG2, VA2, VDE2, VE39, VKB2, VKE4, VKE9, VKQ4, VKX4, VKX9, VMA4, VME2, VME4, VMS2, VMX2, VM2, VNG1, VNT2, VN17, VN19, VPE4, VPE5, VPE7, VPE9, VPX4, VPX5, VPX7, VPX9, VSD, VSD3, VSD7, VSD9, VSH7, VSH9, VS37, VS39, VWA2, VWN2, VWT4, VW12, VXB, VXB7, VXB9, VXEB, VXE4, VXE6, VXE7, VXE9, VXQ4, VXU1, VX2, VX39, WMA4, WMT8
2	19610-ZE2-010ZB	COVER COMP., FAN *T39*.....GEKO BLUE	1	-	-----	VNG1
	19610-ZE2-010ZC	*NH1*.....BLACK	1	-	-----	HA2, PA2, PXU, QAE2, QAG2, QAQ4, QAR2, QA2, QWA4, QWH2, QXC9, RA2, SMX2, SWC4, VA2, VKE4, VKQ4, VKX4, VMA4, VME2, VME4, VM2, VNG1, VN17, VSD7, VXE4, VXE7, VX2
	19610-ZE2-010ZD	*T41*...BARTELL BLUE METALLIC	1	-	-----	QAQ4, QA2, QA26
	19610-ZE2-010ZF	*NH246*.....LOOSEY GRAY	1	-	-----	HA2, PA2, QAE2, QA2, QXC9, RA2, VA2, VW12, VX2
	19610-ZE2-010ZG	*NH105*...MAT BLACK (#15-#20)	1	-	-----	VME2, VMS2, VMX2, VM2, VWA2, VW12
	19610-ZE2-010ZL	*R280*.....POWER RED	1	-	-----	HA2, HEA2, HEA8, HXQ4, HX26, HX8, LXE8, LXQ4, LXU, PAE2, PA2, PXE8, PXU, PX26, QAE2, QAE6, QAG, QAG2, QAQ4, QAR2, QAW, QA2, QA26, QE, QHE4, QHQ4, QHR, QHR4, QH26, QKE3, QKE4, QME2, QSC9, QSE2, QSE8, QWA4, QXB, QXB6, QXB7, QXC4, QXC6, QXC9, QXE4, QXE6, QXE8, QXQ4, QXU, RA2, RHE4, RHG4, RHQ4, RH26, RSC2, RXQ4, RXU, SAX4, SE, SHQ4, SMC4, SME1, SME6, SWA4, SWC4, SXB, SXB7, SXEB, SXE4, SXE8, SXQ4, SXU, VAG2, VA2, VDE2, VKB2, VME2, VM2, VNG1, VNT2, VN17, VPE4, VPE5, VPE7, VPX4, VPX5, VPX7, VSD, VSD3, VSD7, VSH7, VS37, VWA2, VWN2, VWT4, VW12, VXB, VXB7, VXEB, VXE4, VXE6, VXE7, VXQ4, VXU1, VX2, WMA4, WMT8
	19610-ZK2-880ZA	*NH1*.....BLACK	-	1	-----	VE39, VKE9, VKX9, VN19, VXE9
	19610-ZK2-880ZB	*R280*.....POWER RED	1	-	-----	QXB9, SXB9, VE39, VN19, VPE9, VPX9, VSD9, VSH9, VS39, VXB9, VXE9, VX39
3	19620-ZE2-000ZD	PROTECTOR COMP., FAN COVER *R280*.....POWER RED	1	-	-----	QKE3

Ref. No.	Part No.	Description	Reqd. QTY		Serial No.	Parts catalogue code
			GX 270 U	GX 270 R		
4	19631-ZE2-D00	SHROUD .....	1	1		
5	32197-ZH8-003	SUB HARNESS .....	1	-	-----	VME4,VWA2
6	35120-Z0D-V81	SWITCH ASSY., ENGINE STOP ...	1	-	-----	QE,QHQ4,QHR,QH26,RHG4,RHQ4,RH26,SE,SHQ4,VKQ4
7	36100-ZF6-P81	SWITCH ASSY., ENGINE STOP ...	1	-	1183069	HA2,HXQ4,HX26,HX8,LXQ4,LXU,PA2,PXU,PX26,QAG,QAG2,QAQ4,QAR2,QAW,QA2,QA26,QWA4,QWH2,QXB,QXB7,QXB9,QXC4,QXC6,QXC9,QXQ4,QXU,RA2,RSC2,RXQ4,RXU,SMC4,SME6,SMX2,SWA4,SWC4, SXB, SXB7, SXB9, SXQ4, SXU, VAG2, VA2, VKX4, VKX9, VMX2, VM2, VNG1, VNT2, VN17, VN19, VPX5, VPX9, VSD, VSD7, VSD9, VSH7, VSH9, VWN2, VW12, VXB, VXB7, VXB9, VXQ4, VXU1, VX2, VX39, WMT8
	36100-ZF6-P82	.....	1	-	1183070	HA2,HXQ4,HX26,HX8,LXQ4,LXU,PA2,PXU,PX26,QAG,QAG2,QAQ4,QAR2,QAW,QA2,QA26,QWA4,QWH2,QXB,QXB7,QXB9,QXC4,QXC6,QXC9,QXQ4,QXU,RA2,RSC2,RXQ4,RXU,SMC4,SME6,SMX2,SWA4,SWC4, SXB, SXB7, SXB9, SXQ4, SXU, VAG2, VA2, VKX4, VKX9, VMX2, VM2, VNG1, VNT2, VN17, VN19, VPX5, VPX9, VSD, VSD7, VSD9, VSH7, VSH9, VWN2, VW12, VXB, VXB7, VXB9, VXQ4, VXU1, VX2, VX39, WMT8
			-	1	-----	RSC2,VWN2
8	36100-ZH9-V02	SWITCH ASSY., ENGINE STOP (SDMO)	1	-	-----	VSD3,VS37,VS39
9	81329-567-020	GROMMET, DRAIN HOLE .....	1	1	-----	HEA2,HEA8,LXE8,PAE2,PXE8,QAE2,QAE6,QHE4,QHR4,QKE3,QKE4,QME2,QSC9,QSE2,QSE8,QXB6,QXE4,QXE6,QXE8,RHE4,SAX4,SME1,SXEB,SXE4,SXE8,VDE2,VE39,VKB2,VKE4,VKE9,VMA4,VME2,VME4,VMS2,VPE4,VPE5,VPE7,VPE9,VPX4,VPX7,VSD3,VS37,VS39,VWA2,VWT4,VXEB,VXE4,VXE6,VXE7,VXE9,WMA4
10	90008-ZE2-003	BOLT, FLANGE, 6X10 .....	3	-	-----	QKE3
11	90013-883-000	BOLT, FLANGE, 6X12(CT200) ...	6	-	-----	HA2,HEA2,HEA8,HXQ4,HX26,HX8,LXE8,LXQ4,LXU,PAE2,PA2,PXE8,PXU,PX26,QAE2,QAE6,QAG,QAG2,QAQ4,QAR2,QAW,QA2,QA26,QE,QHE4,QHQ4,QHR,QHR4,QH26,QKE3,QKE4,QME2,QSC9,QSE2,QSE8,QWA4,QWH2,QXB,QXB6,QXB7,QXB9,QXC4,QXC6,QXC9,QXE4,QXE6,QXE8,QXQ4,QXU,RA2,RHE4,RHG4,RHQ4,RH26,RSC2,RXQ4,RXU,SAX4,SE,SHQ4,SMC4,SME1,SME6,SMX2,SWA4,SWC4, SXB, SXB7, SXB9, SXEB, SXE4, SXE8, SXQ4, SXU, VAG2, VA2, VDE2, VE39, VKB2, VKE4, VKE9, VKQ4, VKX4, VKX9, VMA4, VME2, VME4, VMS2, VMX2, VM2, VNG1, VNT2, VN17, VN19, VPE4, VPE5, VPE7, VPE9, VPX4, VPX5, VPX7, VPX9, VSD, VSD7, VSD9, VSH7, VSH9, VWA2, VWN2, VWT4, VW12, VXB, VXB7, VXB9, VXEB, VXE4, VXE6, VXE7, VXE9, VXQ4, VXU1, VX2, VX39, WMA4, WMT8
			8	-	-----	VSD3,VS37,VS39
			-	6		





Ref. No.	L.O.N.	(Relative ref. Number) Description	F.R.T.
1	3111B1	GASKET SET, CARBURETOR (3)	0.3
2	3111E1	VALVE SET, FLOAT AND/OR FLOAT SET	0.3
4	3111A3	CHAMBER SET, FLOAT AND/OR GASKET, FLOAT CHAMBER	0.2
5	3111D7	SCREW SET, PILOT	0.2
9	3111F3	CARBURETOR	0.2
13	3101L6	PACKING, FUEL STRAINER CUP (15,18)	0.2
14	3111C0	INSULATOR, CARBURETOR AND/OR PACKING, INSULATOR	0.2
16	3111D9	SPACER, CARBURETOR	0.2
17	3111C8	PACKING, CARBURETOR	0.2
19	8101F9	LEVER, CARBURETOR CHOKE (20,21,22)	0.2
23	3101C5	PACKING, FUEL COCK	0.2
28	3111C3	JET, MAIN	0.3

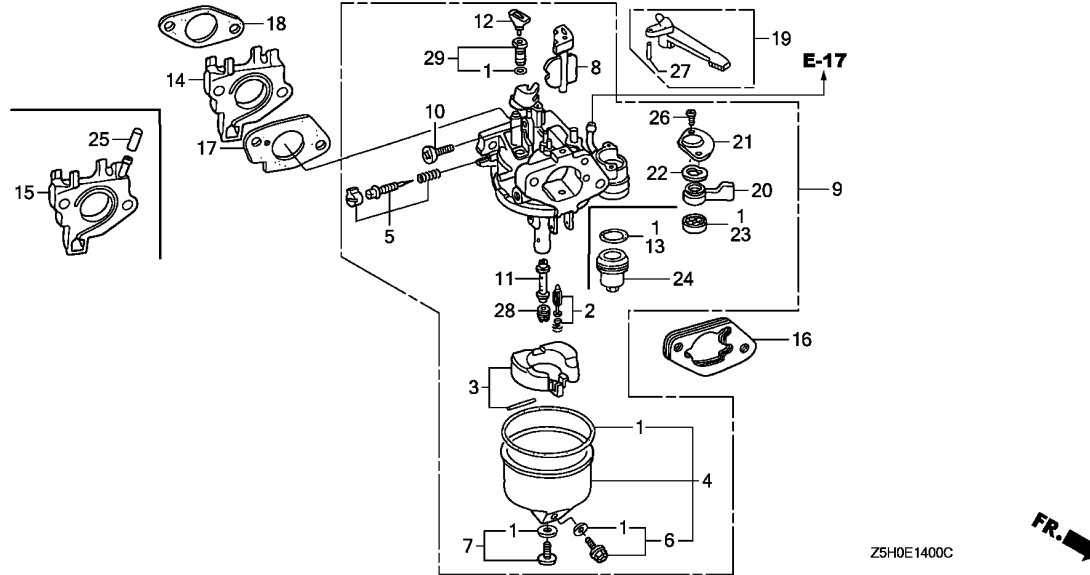
2

Ref. No.	Part No.	Description	Reqd. QTY		Serial No.	Parts catalogue code
			GX 270 U	GX 270 R		
1	16010-ZE2-015	GASKET SET (EXCEPT 16173-001-004)	1	-	-----	SMC4
	16010-ZE2-812	GASKET SET (INCLUDE 16173-001-004)	1	-	-----	HA2,HEA2,HEA8,HXQ4,HX26,HX8,LXE8,LXQ4,LXU,PAE2,PA2,PXE8,PXU,PX26,QAE2,QAE6,QAG,QAG2,QAQ4,QAR2,QAW,QA2,QA26,QE,QHE4,QHQ4,QHR,QHR4,QH26,QKE3,QKE4,QME2,QSC9,QSE2,QSE8,QWA4,QWH2,QXB,QXB6,QXB7,QXB9,QXC4,QXC6,QXC9,QXE4,QXE6,QXE8,QXQ4,QXU,RA2,RHE4,RHG4,RHQ4,RH26,RSC2,RXQ4,RXU,SAX4,SE,SHQ4,SME1,SME6,SMX2,SWA4,SWC4,SBX,SBX7,SBX9,SXEB,SXE4,SXE8,SXQ4,SXU,VAG2,VA2,VDE2,VKB2,VKQ4,VMA4,VME2,VME4,VM2,VNG1,VNT2,VN17,VN19,VSD,VSD7,VSD9,VSH7,VSH9,VMA2,VWN2,VWT4,VW12,VXB,VXB7,VXB9,VXEB,VXE4,VXE6,VXE7,VXE9,VXQ4,VXU1,VX2,WMA4,WMT8
2	16011-ZA0-931	VALVE SET, FLOAT	1	-	-----	HA2,HEA2,HEA8,HXQ4,HX26,HX8,LXE8,LXQ4,LXU,PAE2,PA2,PXE8,PXU,PX26,QAE2,QAE6,QAG,QAG2,QAQ4,QAR2,QAW,QA2,QA26,QE,QHE4,QHQ4,QHR,QHR4,QH26,QKE3,QKE4,QME2,QSC9,QSE2,QSE8,QWA4,QWH2,QXB,QXB6,QXB7,QXB9,QXC4,QXC6,QXC9,QXE4,QXE6,QXE8,QXQ4,QXU,RA2,RHE4,RHG4,RHQ4,RH26,RSC2,RXQ4,RXU,SAX4,SE,SHQ4,SMC4,SME1,SME6,SMX2,SWA4,SWC4,SBX,SBX7,SBX9,SXEB,SXE4,SXE8,SXQ4,SXU,VAG2,VA2,VDE2,VKB2,VKQ4,VMA4,VME2,VME4,VM2,VNG1,VNT2,VN17,VN19,VSD,VSD7,VSD9,VSH7,VSH9,VMA2,VWN2,VWT4,VW12,VXB,VXB7,VXB9,VXEB,VXE4,VXE6,VXE7,VXE9,VXQ4,VXU1,VX2,WMA4,WMT8

Ref. No.	Part No.	Description	Reqd. QTY		Serial No.	Parts catalogue code
			GX 270 U	GX 270 R		
3	16013-ZA0-931	FLOAT SET .....	1	-		HA2,HEA2,HEA8,HXQ4,HX26,HX8,LXE8,LXQ4,LXU,PAE2,PA2,PXE8,PXU,PX26,QAE2,QAE6,QAG,QAG2,QAQ4, QAR2,QAW,QA2,QA26,QE,QHE4,QHQ4,QHR,QHR4,QH26,QKE3,QKE4,QME2,QSC9,QSE2,QSE8,QWA4,QWH2,QXB,QXB6,QXB7,QXB9,QXC4,QXC6,QXC9,QXE4,QXE6,QXE8,QXQ4,QXU,RA2,RHE4,RHG4,RHQ4,RH26,RSC2,RXQ4,RXU,SAX4,SE,SHQ4,SMC4,SME1,SME6,SMX2,SWA4,SWC4, SXB, SXB7, SXB9, SXEB, SXE4, SXE8, SXQ4, SXU, VAG2, VA2, VDE2, VKB2, VKQ4, VMA4, VME2, VME4, VM2, VNG1, VNT2, VN17, VN19, VSD, VSD7, VSD9, VSH7, VSH9, VMA2, VWN2, VWT4, VW12, VXB, VXB7, VXB9, VXE6, VXE7, VXE9, VXQ4, VXU1, VX2, WMA4, WMT8
4	16015-ZE8-005	CHAMBER SET, FLOAT .....	1	-		HA2,HEA2,HEA8,HXQ4,HX26,HX8,LXE8,LXQ4,LXU,PAE2,PA2,PXE8,PXU,PX26,QAE2,QAE6,QAG,QAG2,QAQ4, QAR2,QAW,QA2,QA26,QE,QHE4,QHQ4,QHR,QHR4,QH26,QKE3,QKE4,QME2,QSC9,QSE2,QSE8,QWA4,QWH2,QXB,QXB6,QXB7,QXB9,QXC4,QXC6,QXC9,QXE4,QXE6,QXE8,QXQ4,QXU,RA2,RHE4,RHG4,RHQ4,RH26,RSC2,RXQ4,RXU,SAX4,SE,SHQ4,SMC4,SME1,SME6,SMX2,SWA4,SWC4, SXB, SXB7, SXB9, SXEB, SXE4, SXE8, SXQ4, SXU, VAG2, VA2, VDE2, VKB2, VKQ4, VMA4, VME2, VME4, VM2, VNG1, VNT2, VN17, VN19, VSD, VSD7, VSD9, VSH7, VSH9, VMA2, VWN2, VWT4, VW12, VXB, VXB7, VXB9, VXE6, VXE7, VXE9, VXQ4, VXU1, VX2, WMA4, WMT8
5	16016-ZH7-W01	SCREW SET, PILOT .....	1	-		HA2,HEA2,HEA8,HXQ4,HX26,HX8,LXE8,LXQ4,LXU,PAE2,PA2,PXE8,PXU,PX26,QAE2,QAE6,QAG,QAG2,QAQ4, QAR2,QAW,QA2,QA26,QE,QHE4,QHQ4,QHR,QHR4,QH26,QKE4,QME2,QSC9,QSE2,QSE8,QWA4,QWH2,QXB,QXB6,QXB7,QXB9,QXC4,QXC6,QXC9,QXE4,QXE6,QXE8,QXQ4,QXU,RA2,RHE4,RHG4,RHQ4,RH26,RSC2,RXQ4,RXU,SAX4,SE,SHQ4,SMC4,SME1,SMX2,SWA4,SWC4, SXB, SXB7, SXB9, SXEB, SXE4, SXE8, SXQ4, SXU, VAG2, VA2, VDE2, VKB2, VKQ4, VMA4, VME2, VME4, VM2, VNG1, VNT2, VN17, VN19, VSD, VSD7, VSD9, VSH7, VSH9, VMA2, VWN2, VWT4, VW12, VXB, VXB7, VXB9, VXE4, VXE6, VXE7, VXE9, VXQ4, VXU1, VX2, WMA4, WMT8
	16016-ZH8-W01	SCREW SET .....	1	-		QE,QKE3,SE,SMC4,SME6,VWT4
6	16024-ZE1-811	SCREW SET, DRAIN .....	1	-		HA2,HEA2,HEA8,HXQ4,HX26,HX8,LXE8,LXQ4,LXU,PAE2,PA2,PXE8,PXU,PX26,QAE2,QAE6,QAG,QAG2,QAQ4, QAR2,QAW,QA2,QA26,QE,QHE4,QHQ4,QHR,QHR4,QH26,QKE3,QKE4,QME2,QSC9,QSE2,QSE8,QWA4,QWH2,QXB,QXB6,QXB7,QXB9,QXC4,QXC6,QXC9,QXE4,QXE6,QXE8,QXQ4,QXU,RA2,RHE4,RHG4,RHQ4,RH26,RSC2,RXQ4,RXU,SAX4,SE,SHQ4,SMC4,SME1,SME6,SMX2,SWA4,SWC4, SXB, SXB7, SXB9, SXEB, SXE4, SXE8, SXQ4, SXU, VAG2, VA2, VDE2, VKB2, VKQ4, VMA4, VME2, VME4, VM2, VNG1, VNT2, VN17, VN19, VSD, VSD7, VSD9, VSH7, VSH9, VMA2, VWN2, VWT4, VW12, VXB, VXB7, VXB9, VXE6, VXE7, VXE9, VXQ4, VXU1, VX2, WMA4, WMT8
7	16028-ZE0-005	SCREW SET .....	1	-		HA2,HEA2,HEA8,HXQ4,HX26,HX8,LXE8,LXQ4,LXU,PAE2,PA2,PXE8,PXU,PX26,QAE2,QAE6,QAG,QAG2,QAQ4, QAR2,QAW,QA2,QA26,QE,QHE4,QHQ4,QHR,QHR4,QH26,QKE3,QKE4,QME2,QSC9,QSE2,QSE8,QWA4,QWH2,QXB,QXB6,QXB7,QXB9,QXC4,QXC6,QXC9,QXE4,QXE6,QXE8,QXQ4,QXU,RA2,RHE4,RHG4,RHQ4,RH26,RSC2,RXQ4,RXU,SAX4,SE,SHQ4,SMC4,SME1,SME6,SMX2,SWA4,SWC4, SXB, SXB7, SXB9, SXEB, SXE4, SXE8, SXQ4, SXU, VAG2, VA2, VDE2, VKB2, VKQ4, VMA4, VME2, VME4, VM2, VNG1, VNT2, VN17, VN19, VSD, VSD7, VSD9, VSH7, VSH9, VMA2, VWN2, VWT4, VW12, VXB, VXB7, VXB9, VXE6, VXE7, VXE9, VXQ4, VXU1, VX2, WMA4, WMT8
8	16044-ZE2-005	CHOKE SET .....	1	-		HA2,HEA2,HEA8,HXQ4,HX26,HX8,LXE8,LXQ4,LXU,PAE2,PA2,PXE8,PXU,PX26,QAE2,QAE6,QAG,QAG2,QAQ4, QAR2,QAW,QA2,QA26,QE,QHE4,QHQ4,QHR,QHR4,QH26,QKE3,QKE4,QME2,QSC9,QSE2,QSE8,QWA4,QWH2,QXB,QXB6,QXB7,QXB9,QXC4,QXC6,QXC9,QXE4,QXE6,QXE8,QXQ4,QXU,RA2,RHE4,RHG4,RHQ4,RH26,RSC2,RXQ4,RXU,SAX4,SE,SHQ4,SMC4,SME1,SME6,SMX2,SWA4,SWC4, SXB, SXB7, SXB9, SXEB, SXE4, SXE8, SXQ4, SXU, VAG2, VA2, VDE2, VKB2, VKQ4, VMA4, VME2, VME4, VM2, VNG1, VNT2, VN17, VN19, VSD, VSD7, VSD9, VSH7, VSH9, VMA2, VWN2, VWT4, VW12, VXB, VXB7, VXB9, VXE6, VXE7, VXE9, VXQ4, VXU1, VX2, WMA4, WMT8
9	16100-ZH9-W01	CARBURETOR ASSY. (BE75A B/C)	1	-		QSC9,QWA4,QWH2,QXC6,QXC9,VMA4,VME4





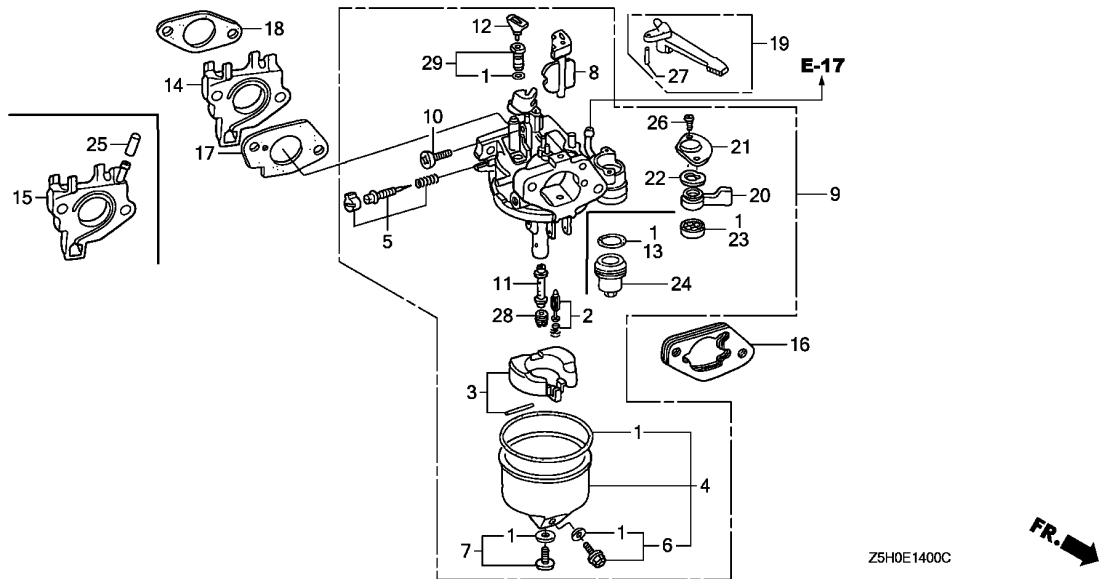


Z5H0E1400C

Ref. No.	Part No.	Description	Reqd. QTY		Serial No.	Parts catalogue code
			GX 270 U	GX 270 R		
(9)	16100-ZH9-W21	CARBURETOR ASSY. (BE75B B/C)	1	-	-----	HA2,HEA2,HEA8,HXQ4,HX26,HX8,LXE8,LXQ4,LXU,PAE2,PA2,PXE8,PXU,PX26,QAE2,QAE6,QAG,QAG2,QAQ4,QAR2,QAW,QA2,QA26,QHE4,QHQ4,QHR,QHR4,QH26,QKE4,QME2,QSE2,QSE8,QXB,QXB6,QXB7,QXB9,QXE4,QXE6,QXE8,QXQ4,QXU,RA2,RHE4,RHG4,RHQ4,RH26,RSC2,RXQ4,RXU,SAX4,SHQ4,SME1,SMX2,SWA4,SWC4,SBX,SXB7,SXB9,SXEB,SXE4,SXE8,SXQ4,SXU,VAG2,VA2,VDE2,VKB2,VKQ4,VME2,VM2,VNG1,VNT2,VN17,VN19,VSD,VSD7,VSD9,VSH7,VSH9,VWA2,VWN2,VW12,VXB,VXB7,VXB9,VXEB,VXE4,VXE6,VXE7,VXE9,VXQ4,VXU1,VX2
	16100-ZH9-802	CARBURETOR ASSY. (BE24B D)	-	1	-----	QXC4
	16100-ZH9-812	CARBURETOR ASSY. (BE21B C)	-	1	-----	SMC4
	16100-ZH9-822	CARBURETOR ASSY. (BE21A D/E)	-	1	-----	QE,QKE3,SE,SME6,VWT4
	16100-ZK9-V21	CARBURETOR ASSY. (BE76C A)	-	1	-----	WMA4,WMT8
10	16124-ZE0-005	SCREW, THROTTLE STOP	1	-	-----	HA2,HEA2,HEA8,HXQ4,HX26,HX8,LXE8,LXQ4,LXU,PAE2,PA2,PXE8,PXU,PX26,QAE2,QAE6,QAG,QAG2,QAQ4,QAR2,QAW,QA2,QA26,QE,QHE4,QHQ4,QHR,QHR4,QH26,QKE3,QKE4,QME2,QSC9,QSE2,QSE8,QWA4,QWH2,QXB,QXB6,QXB7,QXB9,QXC4,QXC6,QXC9,QXE4,QXE6,QXE8,QXQ4,QXU,RA2,RHE4,RHG4,RHQ4,RH26,RSC2,RXQ4,RXU,SAX4,SE,SHQ4,SMC4,SME1,SME6,SMX2,SWA4,SWC4,SBX,SXB7,SXB9,SXEB,SXE4,SXE8,SXQ4,SXU,VAG2,VA2,VDE2,VKB2,VKQ4,VMA4,VME2,VME4,VM2,VNG1,VNT2,VN17,VN19,VSD,VSD7,VSD9,VSH7,VSH9,VWA2,VWN2,VWT4,VW12,VXB,VXB7,VXB9,VXEB,VXE4,VXE6,VXE7,VXE9,VXQ4,VXU1,VX2,WMA4,WMT8
	11	16166-ZH9-W00	NOZZLE, MAIN	1	-----	QSC9,QWA4,QWH2,QXC6,QXC9,VMA4,VME4

Ref. No.	Part No.	Description	Reqd. QTY		Serial No.	Parts catalogue code
			GX 270 U	GX 270 R		
11)	16166-ZH9-W20	NOZZLE, MAIN .....	1	-	-----	HA2, HEA2, HEA8, HXQ4, HX26, HX8, LXE8, LXQ4, LXU, PAE2, PA2, PXE8, PXU, PX26, QAE2, QAE6, QAG, QAG2, QAQ4, QAR2, QAW, QA2, QA26, QHE4, QHQ4, QHR, QHR4, QH26, QKE4, QME2, QSE2, QSE8, QXB, QXB6, QXB7, QXB9, QXE4, QXE6, QXE8, QXC4, QXC6, QXC9, QXC4, QXC6, QXC9, RHG4, RHQ4, RH26, RSC2, RXQ4, RXU, SAX4, SHQ4, SME1, SMX2, SWA4, SWC4, SXB, SXB7, SXB9, SXE4, SXE8, SXQ4, SXU, VAG2, VA2, VDE2, VKB2, VKQ4, VME2, VME4, VM2, VNG1, VNT2, VN17, VN19, VSD, VSD7, VSD9, VSH7, VSH9, VWA2, VWN2, VW12, VXB, VXB7, VXB9, VXE4, VXE6, VXE7, VXE9, VXQ4, VXU1, VX2, WMA4, WMT8
	16166-ZH9-000	.....	-	1	-----	QXC4
	16166-ZH9-820	.....	1	-	-----	QE, QKE3, SE, SMC4, SME6, VWT4
12	16172-ZE3-W10	COLLAR, SETTING .....	1	-	-----	HA2, HEA2, HEA8, HXQ4, HX26, HX8, LXE8, LXQ4, LXU, PAE2, PA2, PXE8, PXU, PX26, QAE2, QAE6, QAG, QAG2, QAQ4, QAR2, QAW, QA2, QA26, QHE4, QHQ4, QHR, QHR4, QH26, QKE4, QME2, QSC9, QSE2, QSE8, QWA4, QWH2, QXB, QXB6, QXB7, QXB9, QXC4, QXC6, QXC9, QXE4, QXE6, QXE8, QXC4, QXC6, QXC9, RA2, RHE4, RHG4, RHQ4, RH26, RSC2, RXQ4, RXU, SAX4, SHQ4, SME1, SMX2, SWA4, SWC4, SXB, SXB7, SXB9, SXE4, SXE8, SXQ4, SXU, VAG2, VA2, VDE2, VKB2, VKQ4, VMA4, VME2, VME4, VM2, VNG1, VNT2, VN17, VN19, VSD, VSD7, VSD9, VSH7, VSH9, VWA2, VWN2, VW12, VXB, VXB7, VXB9, VXE4, VXE6, VXE7, VXE9, VXQ4, VXU1, VX2, WMA4, WMT8
13	16173-001-004	PACKING, FUEL STRAINER CUP ..	1	-	-----	HA2, HEA2, HEA8, HXQ4, HX26, HX8, LXE8, LXQ4, LXU, PAE2, PA2, PXE8, PXU, PX26, QAE2, QAE6, QAG, QAG2, QAQ4, QAR2, QAW, QA2, QA26, QE, QHE4, QHQ4, QHR, QHR4, QH26, QKE3, QKE4, QME2, QSC9, QSE2, QSE8, QWA4, QWH2, QXB, QXB6, QXB7, QXB9, QXC4, QXC6, QXC9, QXE4, QXE6, QXE8, QXC4, QXC6, QXC9, RA2, RHE4, RHG4, RHQ4, RH26, RSC2, RXQ4, RXU, SAX4, SE, SHQ4, SME1, SME6, SMX2, SWA4, SWC4, SXB, SXB7, SXB9, SXE4, SXE8, SXQ4, SXU, VAG2, VA2, VDE2, VKB2, VKQ4, VMA4, VME2, VME4, VM2, VNG1, VNT2, VN17, VN19, VSD, VSD7, VSD9, VSH7, VSH9, VWA2, VWN2, VWT4, VW12, VXB, VXB7, VXB9, VXE4, VXE6, VXE7, VXE9, VXQ4, VXU1, VX2
14	16211-ZE2-000	INSULATOR, CARBURETOR .....	1	-	-----	HA2, HEA2, HEA8, HXQ4, HX26, HX8, LXE8, LXQ4, LXU, PAE2, PA2, PXE8, PXU, PX26, QAE2, QAE6, QAG, QAG2, QAQ4, QAR2, QAW, QA2, QA26, QE, QHE4, QHQ4, QHR, QHR4, QH26, QKE3, QKE4, QME2, QSC9, QSE2, QSE8, QWA4, QWH2, QXB, QXB6, QXB7, QXB9, QXC4, QXC6, QXC9, QXE4, QXE6, QXE8, QXC4, QXC6, QXC9, RA2, RHE4, RHG4, RHQ4, RH26, RSC2, RXQ4, RXU, SAX4, SE, SHQ4, SMC4, SME1, SME6, SMX2, SWA4, SWC4, SXB, SXB7, SXB9, SXE4, SXE8, SXQ4, SXU, VAG2, VA2, VDE2, VKB2, VKQ4, VMA4, VME2, VME4, VM2, VNG1, VNT2, VN17, VN19, VSD, VSD7, VSD9, VSH7, VSH9, VWA2, VWN2, VWT4, VW12, VXB, VXB7, VXB9, VXE4, VXE6, VXE7, VXE9, VXQ4, VXU1, VX2, WMA4, WMT8
15	16211-ZE2-700	INSULATOR, CARBURETOR .....	1	-	-----	QKE4, RHG4
16	16220-ZA0-702	SPACER COMP., CARBURETOR .....	1	-	-----	HA2, HEA2, HEA8, HXQ4, HX26, HX8, LXE8, LXQ4, LXU, PAE2, PA2, PXE8, PXU, PX26, QAE2, QAE6, QAG, QAG2, QAQ4, QAR2, QAW, QA2, QA26, QE, QHE4, QHQ4, QHR, QHR4, QH26, QSC9, QSE2, QSE8, QWA4, QWH2, QXB, QXB6, QXB7, QXB9, QXC4, QXC6, QXC9, QXE4, QXE6, QXE8, QXC4, QXC6, QXC9, RA2, RHE4, RHG4, RHQ4, RH26, RSC2, RXQ4, RXU, SAX4, SE, SHQ4, SMC4, SME1, SME6, SMX2, SWA4, SWC4, SXB, SXB7, SXB9, SXE4, SXE8, SXQ4, SXU, VAG2, VA2, VDE2, VKB2, VKQ4, VMA4, VME2, VME4, VM2, VNG1, VNT2, VN17, VN19, VSD, VSD7, VSD9, VSH7, VSH9, VWA2, VWN2, VWT4, VW12, VXB, VXB7, VXB9, VXE4, VXE6, VXE7, VXE9, VXQ4, VXU1, VX2, WMA4, WMT8
17	16221-ZA0-800	PACKING, CARBURETOR .....	1	-	-----	HA2, HEA2, HEA8, HXQ4, HX26, HX8, LXE8, LXQ4, LXU, PAE2, PA2, PXE8, PXU, PX26, QAE2, QAE6, QAG, QAG2, QAQ4, QAR2, QAW, QA2, QA26, QE, QHE4, QHQ4, QHR, QHR4, QH26, QKE3, QKE4, QME2, QSC9, QSE2, QSE8, QWA4, QWH2, QXB, QXB6, QXB7, QXB9, QXC4, QXC6, QXC9, QXE4, QXE6, QXE8, QXC4, QXC6, QXC9, RA2, RHE4, RHG4, RHQ4, RH26, RSC2, RXQ4, RXU, SAX4, SE, SHQ4, SMC4, SME1, SME6, SMX2, SWA4, SWC4, SXB, SXB7, SXB9, SXE4, SXE8, SXQ4, SXU, VAG2, VA2, VDE2, VKB2, VKQ4, VMA4, VME2, VME4, VM2, VNG1, VNT2, VN17, VN19, VSD, VSD7, VSD9, VSH7, VSH9, VWA2, VWN2, VWT4, VW12, VXB, VXB7, VXB9, VXE4, VXE6, VXE7, VXE9, VXQ4, VXU1, VX2, WMA4, WMT8





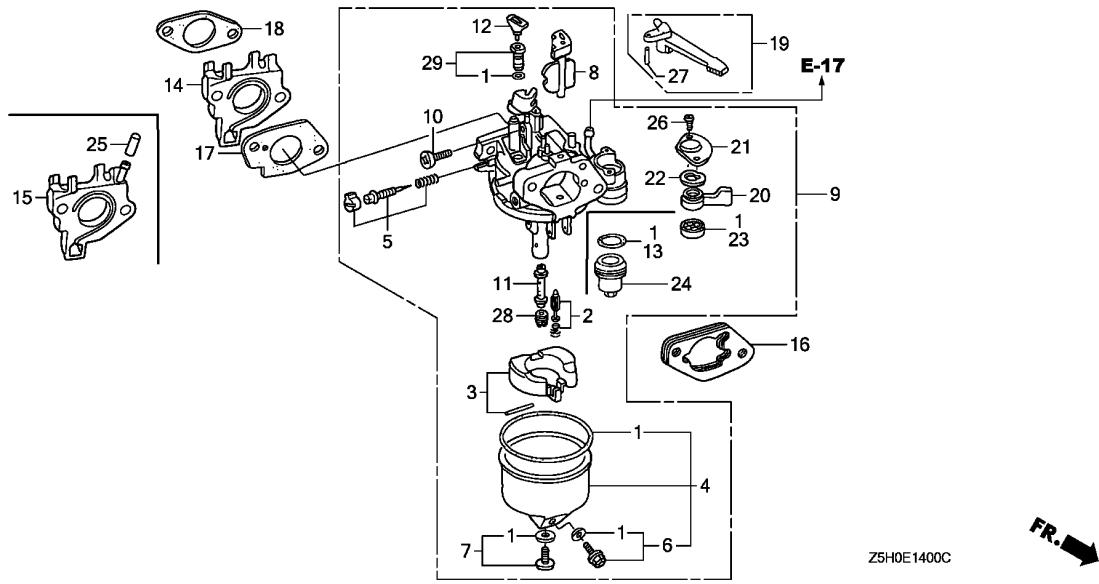
Z5H0E1400C



Ref. No.	Part No.	Description	Reqd. QTY		Serial No.	Parts catalogue code
			GX 270 U	GX 270 R		
18	16223-ZA0-800	PACKING, INSULATOR .....	1	-	-----	HA2,HEA2,HEA8,HXQ4,HX26,HX8,LXE8,LXQ4,LXU,PAE2,PA2,PXE8,PXU,PX26,QAE2 QAE6,QAG,QAG2,QAQ4,QAR2,QAW,QA2,QA26,QE,QHE4,QHQ4,QHR,QHR4,QH26,QKE3 QKE4,QME2,QSC9,QSE2,QSE8,QWA4,QWH2,QXB,QXB6,QXB7,QXB9,QXC4,QXC6,QXC9 QXE4,QXE6,QXE8,QXQ4,QXU,RA2,RHE4,RHG4,RHQ4,RH26,RSC2,RXQ4,RXU,SAX4,SE SHQ4,SMC4,SME1,SME6,SMX2,SWA4,SWC4,SBX,SBX7,SBX9,SXEB,SXE4,SXE8, SXQ4 SXU,VAG2,VA2,VDE2,VKB2,VKQ4,VMA4,VME2,VME4,VM2,VNG1,VNT2,VN17,VN19 VSD,VSD7,VSD9,VSH7,VSH9,VWA2,VWN2,VWT4,VW12,VXB,VXB7,VXB9,VXEB,VXE4 VXE6,VXE7,VXE9,VXQ4,VXU1,VX2,WMA4,WMT8
19	16610-ZE1-000	LEVER COMP., CHOKE (STD.) ...	-	1	-----	HA2,HEA2,HEA8,HXQ4,HX26,HX8,LXE8,LXQ4,LXU,PAE2,PA2,PXE8,PXU,PX26,QAE2 QAE6,QAG,QAG2,QAQ4,QAR2,QAW,QA2,QA26,QE,QHE4,QHQ4,QHR,QHR4,QH26,QKE3 QSE2,QSE8,QWA4,QWH2,QXB,QXB6,QXB7,QXB9,QXC4,QXC6,QXC9,QXE4,QXE6,QXE8 QXQ4,QXU,RA2,RHE4,RHG4,RHQ4,RH26,RSC2,RXQ4,RXU,SAX4,SE,SHQ4,SMC4,SME1 SME6,SMX2,SWA4,SWC4,SBX,SBX7,SBX9,SXEB,SXE4,SXE8, SXU,VAG2,VA2 VDE2,VKB2,VKQ4,VMA4,VME2,VME4,VM2,VNG1,VNT2,VN17,VN19,VSD,VSD7,VSD9 VSH7,VSH9,VWA2,VWN2,VWT4,VW12,VXB,VXB7,VXB9,VXEB,VXE4,VXE6,VXE7,VXE9 VXQ4,VXU1,VX2,WMA4,WMT8
20	16953-ZE1-812	LEVER, COCK .....	-	1	-----	HA2,HEA2,HEA8,HXQ4,HX26,HX8,LXE8,LXQ4,LXU,PAE2,PA2,PXE8,PXU,PX26,QAE2 QAE6,QAG,QAG2,QAQ4,QAR2,QAW,QA2,QA26,QE,QHE4,QHQ4,QHR,QHR4,QH26,QKE3 QKE4,QME2,QSC9,QSE2,QSE8,QWA4,QWH2,QXB,QXB6,QXB7,QXB9,QXC4,QXC6,QXC9 QXE4,QXE6,QXE8,QXQ4,QXU,RA2,RHE4,RHG4,RHQ4,RH26,RSC2,RXQ4,RXU,SAX4,SE SHQ4,SMC4,SME1,SME6,SMX2,SWA4,SWC4,SBX,SBX7,SBX9,SXEB,SXE4,SXE8, SXQ4 SXU,VAG2,VA2,VDE2,VKB2,VKQ4,VMA4,VME2,VME4,VM2,VNG1,VNT2,VN17,VN19 VSD,VSD7,VSD9,VSH7,VSH9,VWA2,VWN2,VWT4,VW12,VXB,VXB7,VXB9,VXEB,VXE4 VXE6,VXE7,VXE9,VXQ4,VXU1,VX2,WMA4,WMT8
			-	1		

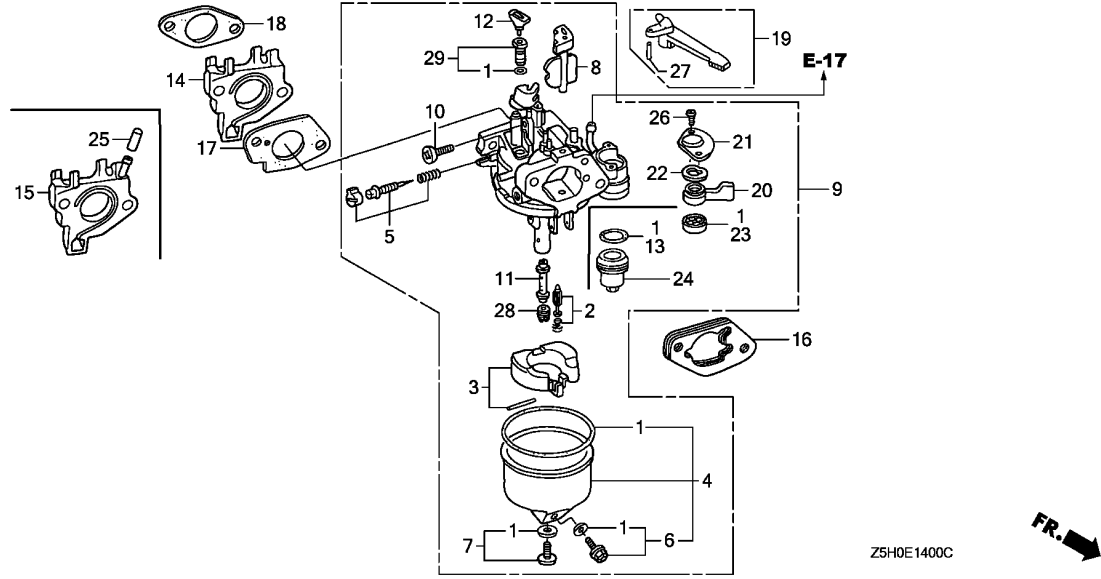
Ref. No.	Part No.	Description	Reqd. QTY		Serial No.	Parts catalogue code
			GX 270 U	GX 270 R		
21	16954-ZE1-812	PLATE, LEVER SETTING .....	1	-		HA2,HEA2,HEA8,HXQ4,HX26,HX8,LXE8,LXQ4,LXU,PAE2,PA2,PXE8,PXU,PX26,QAE2,QAE6,QAG,QAG2,QAQ4, QAR2,QAW,QA2,QA26,QE,QHE4,QHQ4,QHR,QHR4,QH26,QKE3,QKE4,QME2,QSC9,QSE2,QSE8,QWA4,QWH2,QXB,QXB6,QXB7,QXB9,QXC4,QXC6,QXC9,QXE4,QXE6,QXE8,QXQ4,QXU,RA2,RHE4,RHG4,RHQ4,RH26,RSC2,RXQ4,RXU,SAX4,SE,SHQ4,SMC4,SME1,SME6,SMX2,SWA4,SWC4,SXB,SXB7,SXB9,SXEB,SXE4,SXE8,SXQ4,SXU,VAG2,VA2,VDE2,VKB2,VKQ4,VMA4,VME2,VME4,VM2,VNG1,VNT2,VN17,VN19,VSD,VSD7,VSD9,VSH7,VSH9,VWA2,VWN2,VWT4,VW12,VXB,VXB7,VXB9,VXEB,VXE4,VXE6,VXE7,VXE9,VXQ4,VXU1,VX2,WMA4,WMT8
			-	1		
22	16956-ZE1-811	SPRING, COCK LEVER .....	1	-		HA2,HEA2,HEA8,HXQ4,HX26,HX8,LXE8,LXQ4,LXU,PAE2,PA2,PXE8,PXU,PX26,QAE2,QAE6,QAG,QAG2,QAQ4, QAR2,QAW,QA2,QA26,QE,QHE4,QHQ4,QHR,QHR4,QH26,QKE3,QKE4,QME2,QSC9,QSE2,QSE8,QWA4,QWH2,QXB,QXB6,QXB7,QXB9,QXC4,QXC6,QXC9,QXE4,QXE6,QXE8,QXQ4,QXU,RA2,RHE4,RHG4,RHQ4,RH26,RSC2,RXQ4,RXU,SAX4,SE,SHQ4,SMC4,SME1,SME6,SMX2,SWA4,SWC4,SXB,SXB7,SXB9,SXEB,SXE4,SXE8,SXQ4,SXU,VAG2,VA2,VDE2,VKB2,VKQ4,VMA4,VME2,VME4,VM2,VNG1,VNT2,VN17,VN19,VSD,VSD7,VSD9,VSH7,VSH9,VWA2,VWN2,VWT4,VW12,VXB,VXB7,VXB9,VXEB,VXE4,VXE6,VXE7,VXE9,VXQ4,VXU1,VX2,WMA4,WMT8
			-	1		
23	16957-ZE1-812	PACKING, FUEL COCK .....	1	-		HA2,HEA2,HEA8,HXQ4,HX26,HX8,LXE8,LXQ4,LXU,PAE2,PA2,PXE8,PXU,PX26,QAE2,QAE6,QAG,QAG2,QAQ4, QAR2,QAW,QA2,QA26,QE,QHE4,QHQ4,QHR,QHR4,QH26,QKE3,QKE4,QME2,QSC9,QSE2,QSE8,QWA4,QWH2,QXB,QXB6,QXB7,QXB9,QXC4,QXC6,QXC9,QXE4,QXE6,QXE8,QXQ4,QXU,RA2,RHE4,RHG4,RHQ4,RH26,RSC2,RXQ4,RXU,SAX4,SE,SHQ4,SMC4,SME1,SME6,SMX2,SWA4,SWC4,SXB,SXB7,SXB9,SXEB,SXE4,SXE8,SXQ4,SXU,VAG2,VA2,VDE2,VKB2,VKQ4,VMA4,VME2,VME4,VM2,VNG1,VNT2,VN17,VN19,VSD,VSD7,VSD9,VSH7,VSH9,VWA2,VWN2,VWT4,VW12,VXB,VXB7,VXB9,VXEB,VXE4,VXE6,VXE7,VXE9,VXQ4,VXU1,VX2,WMA4,WMT8
			-	1		
24	16967-ZE0-811	CUP, FUEL STRAINER .....	1	-		HA2,HEA2,HEA8,HXQ4,HX26,HX8,LXE8,LXQ4,LXU,PAE2,PA2,PXE8,PXU,PX26,QAE2,QAE6,QAG,QAG2,QAQ4, QAR2,QAW,QA2,QA26,QE,QHE4,QHQ4,QHR,QHR4,QH26,QKE3,QKE4,QME2,QSC9,QSE2,QSE8,QWA4,QWH2,QXB,QXB6,QXB7,QXB9,QXC4,QXC6,QXC9,QXE4,QXE6,QXE8,QXQ4,QXU,RA2,RHE4,RHG4,RHQ4,RH26,RSC2,RXQ4,RXU,SAX4,SE,SHQ4,SME1,SME6,SMX2,SWA4,SWC4,SXB,SXB7,SXB9,SXEB,SXE4,SXE8,SXQ4,SXU,VAG2,VA2,VDE2,VKB2,VKQ4,VMA4,VME2,VME4,VM2,VNG1,VNT2,VN17,VN19,VSD,VSD7,VSD9,VSH7,VSH9,VWA2,VWN2,VWT4,VW12,VXB,VXB7,VXB9,VXEB,VXE4,VXE6,VXE7,VXE9,VXQ4,VXU1,VX2
			-	1		
25	90634-ZL8-000	CAP, SEALING .....	1	-		QKE4
26	93500-03006-1H	SCREW, PAN, 3X6 .....	2	-		HA2,HEA2,HEA8,HXQ4,HX26,HX8,LXE8,LXQ4,LXU,PAE2,PA2,PXE8,PXU,PX26,QAE2,QAE6,QAG,QAG2,QAQ4, QAR2,QAW,QA2,QA26,QE,QHE4,QHQ4,QHR,QHR4,QH26,QKE3,QKE4,QME2,QSC9,QSE2,QSE8,QWA4,QWH2,QXB,QXB6,QXB7,QXB9,QXC4,QXC6,QXC9,QXE4,QXE6,QXE8,QXQ4,QXU,RA2,RHE4,RHG4,RHQ4,RH26,RSC2,RXQ4,RXU,SAX4,SE,SHQ4,SMC4,SME1,SME6,SMX2,SWA4,SWC4,SXB,SXB7,SXB9,SXEB,SXE4,SXE8,SXQ4,SXU,VAG2,VA2,VDE2,VKB2,VKQ4,VMA4,VME2,VME4,VM2,VNG1,VNT2,VN17,VN19,VSD,VSD7,VSD9,VSH7,VSH9,VWA2,VWN2,VWT4,VW12,VXB,VXB7,VXB9,VXEB,VXE4,VXE6,VXE7,VXE9,VXQ4,VXU1,VX2,WMA4,WMT8
			-	2		
27	94305-20122	PIN, SPRING, 2X12 .....	1	-		HA2,HEA2,HEA8,HXQ4,HX26,HX8,LXE8,LXQ4,LXU,PAE2,PA2,PXE8,PXU,PX26,QAE2,QAE6,QAG,QAG2,QAQ4, QAR2,QAW,QA2,QA26,QE,QHE4,QHQ4,QHR,QHR4,QH26,QSC9,QSE2,QSE8,QWA4,QWH2,QXB,QXB6,QXB7,QXB9,QXC4,QXC6,QXC9,QXE4,QXE6,QXE8,QXQ4,QXU,RA2,RHE4,RHG4,RHQ4,RH26,RSC2,RXQ4,RXU,SAX4,SE,SHQ4,SMC4,SME1,SME6,SMX2,SWA4,SWC4,SXB,SXB7,SXB9,SXEB,SXE4,SXE8,SXQ4,SXU,VAG2,VA2,VDE2,VKB2,VKQ4,VMA4,VME2,VME4,VM2,VNG1,VNT2,VN17,VN19,VSD,VSD7,VSD9,VSH7,VSH9,VWA2,VWN2,VWT4,VW12,VXB,VXB7,VXB9,VXEB,VXE4,VXE6,VXE7,VXE9,VXQ4,VXU1,VX2,WMA4,WMT8
			-	1		





2

Ref. No.	Part No.	Description	Reqd. QTY		Serial No.	Parts catalogue code
			GX 270 U	GX 270 R		
28	99101-ZH8-0800	JET, MAIN, #80	(1)	-	-	HA2,HEA2,HEA8,HXQ4,HX26,HX8,LXE8,LXQ4,LXU,PAE2,PA2,PXE8,PXU,PX26,QAE2,QAE6,QAG,QAG2,QAQ4,QAR2,QAW,QA2,QA26,QHE4,QHQ4,QHR,QHR4,QH26,QKE4,QME2,QSE2,QSE8,QXB,QXB6,QXB7,QXB9,QXE4,QXE6,QXE8,QXQ4,QXU,RA2,RHE4,RHG4,RHQ4,RH26,RSC2,RXQ4,RXU,SAX4,SHQ4,SME1,SMX2,SWA4,SWC4, SXB, SXB7, SXB9, SXEB, SXE4, SXE8, SXQ4, SXU, VAG2, VA2, VDE2, VKB2, VKQ4, VME2, VM2, VNG1, VNT2, VN17, VN19, VSD, VSD7, VSD9, VSH7, VSH9, VWA2, VWN2, VW12, VXB, VXB7, VXB9, VXEB, VXE4, VXE6, VXE7, VXE9, VXQ4, VXU1, VX2, WMA4, WMT8
	99101-ZH8-0820	JET, MAIN, #82	(1)	-	-	HA2,HEA2,HEA8,HXQ4,HX26,HX8,LXE8,LXQ4,LXU,PAE2,PA2,PXE8,PXU,PX26,QAE2,QAE6,QAG,QAG2,QAQ4,QAR2,QAW,QA2,QA26,QE,QHE4,QHQ4,QHR,QHR4,QH26,QKE3,QKE4,QME2,QSE2,QSE8,QXB,QXB6,QXB7,QXB9,QXE4,QXE6,QXE8,QXQ4,QXU,RA2,RHE4,RHG4,RHQ4,RH26,RSC2,RXQ4,RXU,SE,SHQ4,SMC4,SME1,SME6,SMX2,SWA4,SWC4, SXB, SXB7, SXB9, SXEB, SXE4, SXE8, SXQ4, SXU, VAG2, VA2, VDE2, VKB2, VKQ4, VME2, VM2, VNG1, VNT2, VN17, VN19, VSD, VSD7, VSD9, VSH7, VSH9, VWA2, VWN2, VWT4, VW12, VXB, VXB7, VXB9, VXEB, VXE4, VXE6, VXE7, VXE9, VXQ4, VXU1, VX2, WMA4, WMT8
	99101-ZH8-0850	JET, MAIN, #85	1	-	-	HA2,HEA2,HEA8,HXQ4,HX26,HX8,LXE8,LXQ4,LXU,PAE2,PA2,PXE8,PXU,PX26,QAE2,QAE6,QAG,QAG2,QAQ4,QAR2,QAW,QA2,QA26,QHE4,QHQ4,QHR,QHR4,QH26,QKE4,QME2,QSE2,QSE8,QXB,QXB6,QXB7,QXB9,QXE4,QXE6,QXE8,QXQ4,QXU,RA2,RHE4,RHG4,RHQ4,RH26,RSC2,RXQ4,RXU,SAX4,SHQ4,SME1,SMX2,SWA4,SWC4, SXB, SXB7, SXB9, SXEB, SXE4, SXE8, SXQ4, SXU, VAG2, VA2, VDE2, VKB2, VKQ4, VME2, VM2, VNG1, VNT2, VN17, VN19, VSD, VSD7, VSD9, VSH7, VSH9, VWA2, VWN2, VW12, VXB, VXB7, VXB9, VXEB, VXE4, VXE6, VXE7, VXE9, VXQ4, VXU1, VX2, WMA4, WMT8
			(1)	-	-	QE,QKE3,SE,SMC4,SME6,VWT4
	99101-ZH8-0880	JET, MAIN, #88	1	-	-	QE,QKE3,SE,SMC4,SME6,VWT4
			(1)	-	-	QSC9,QWA4,QWH2,QXC6,QXC9,VMA4,VME4
	99101-ZH8-0900	JET, MAIN, #90	(1)	-	-	QSC9,QWA4,QWH2,QXC4,QXC6,QXC9,VMA4,VME4



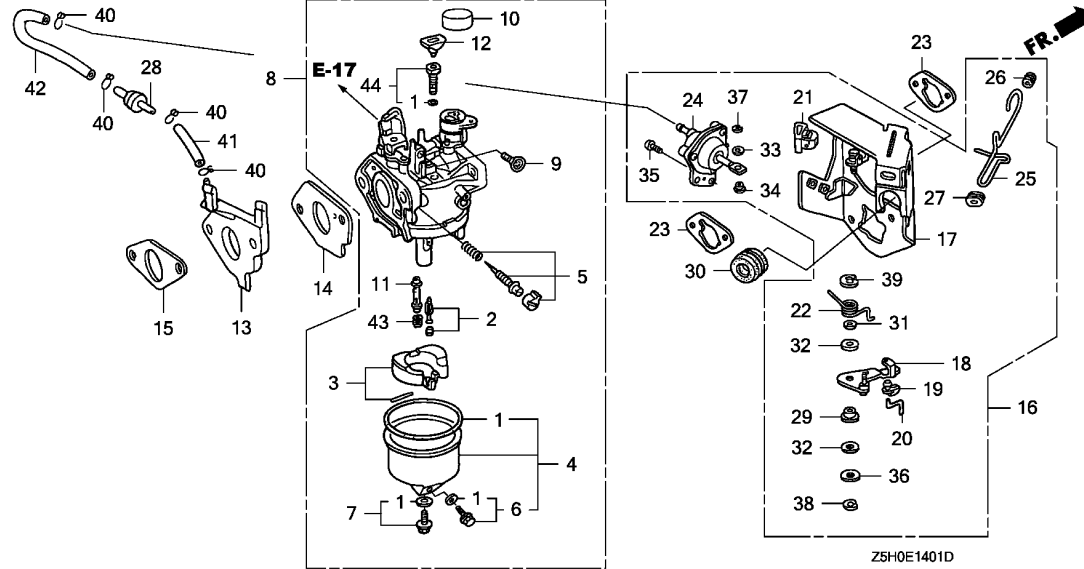
Ref. No.	Part No.	Description	Reqd. QTY		Serial No.	Parts catalogue code
			GX 270 U	GX 270 R		
28)	99101-ZH8-0920	JET, MAIN, #92	1	-	-----	QSC9,QWA4,QWH2,QXC6,QXC9,VMA4,VME4
	99101-ZH8-0950	JET, MAIN, #95	(1)	-	-----	QXC4
29	99204-ZE0-0350	JET SET, PILOT, #35 (CARBURETOR NO.)	1	-	-----	QXC4
	99204-ZE2-0400	JET SET, PILOT, #40	1	-	-----	BE75A B QSC9,QWA4,QWH2,QXC6,QXC9,VMA4,VME4 HA2,HEA2,HEA8,HXQ4,HX26,HX8,LXE8,LXQ4,LXU,PAE2,PA2,PXE8,PXU,PX26,QAE2 QAE6,QAG,QAG2,QAQ4,QAR2,QAW,QA2,QA26,QE,QHE4,QHQ4,QHR,QHR4,QH26,QKE3 QKE4,QME2,QSE2,QSE8,QXB,QXB6,QXB7,QXB9,QXC4,QXE4,QXE6,QXE8,QXQ4,QXU RA2,RHE4,RHG4,RHQ4,RH26,RSC2,RXQ4,RXU,SAX4,SE,SHQ4,SMC4,SME1,SME6 SMX2,SWA4,SWC4,SXB,SXB7,SXB9,SXEB,SXE4,SXE8,SXQ4,SXU,VAG2,VA2,VDE2 VKB2,VKQ4,VME2,VM2,VNG1,VNT2,VN17,VN19,VSD,VSD7,VSD9,VSH7,VSH9,VWA2 VWN2,VWT4,VW12,VXB,VXB7,VXB9,VXEB,VXE4,VXE6,VXE7,VXE9,VXQ4,VXU1,VX2 WMA4,WMT8
	(CARBURETOR NO.)		1	-	BE75A C -----	QSC9,QWA4,QWH2,QXC6,QXC9,VMA4,VME4
			-	1		



# E-14-1

# CARBURETOR(2)

F 8



Ref. No.	L.O.N.	(Relative ref. Number) Description	F.R.T.
1	3111G1	GASKET SET, CARBURETOR(A) (3)	0.4
2	3111G6	VALVE SET, FLOAT AND/OR FLOAT SET(A)	0.4
4	3111M2	CHAMBER SET, FLOAT AND/OR GASKET, FLOAT CHAMBER(A)	0.3
5	3111D7	SCREW SET, PILOT	0.2
8	3111G7	CARBURETOR(A) (15)	0.3
13	3111G2	INSULATOR, CARBURETOR AND/OR PACKING, INSULATOR(A)	0.3
14	3111G5	PACKING, CARBURETOR(A)	0.3
16	8101R1	STAY, MANUAL CHOKE	0.3
18	8101F9	LEVER, CARBURETOR CHOKE	0.2
20	8101J8	ROD, CARBURETOR CHOKE	0.2
23	3121D9	PACKING, AIR CLEANER	0.2
24	3111A7	DIAPHRAGM, CARBURETOR	0.3
28	311175	VALVE, DASHPOT CHECK	0.1
43	3111G4	JET, MAIN(A)	0.4

Ref. No.	Part No.	Description	Reqd. QTY		Serial No.	Parts catalogue code
			GX 270 U	GX 270 R		
1	16010-ZF5-900	GASKET SET	1	-	VE39,VKX4,VKX9,VPE4,VPE5,VPE7,VPE9,VPX4,VPX5,VPX7,VPX9,VSD3,VS37,VS39 VX39	
2	16011-ZA0-931	VALVE SET, FLOAT	1	-	VE39,VKX4,VKX9,VPE4,VPE5,VPE7,VPE9,VPX4,VPX5,VPX7,VPX9,VSD3,VS37,VS39 VX39	
3	16013-ZA0-931	FLOAT SET	1	-	VE39,VKX4,VKX9,VPE4,VPE5,VPE7,VPE9,VPX4,VPX5,VPX7,VPX9,VSD3,VS37,VS39 VX39	
4	16015-ZE8-005	CHAMBER SET, FLOAT	1	-	VE39,VKX4,VKX9,VPE4,VPE5,VPE7,VPE9,VPX4,VPX5,VPX7,VPX9,VSD3,VS37,VS39 VX39	
5	16016-ZH8-W01	SCREW SET	1	-	VE39,VKX4,VKX9,VPE4,VPE5,VPE7,VPE9,VPX4,VPX5,VPX7,VPX9,VSD3,VS37,VS39 VX39	
6	16024-ZE1-811	SCREW SET, DRAIN	1	-	VE39,VKX4,VKX9,VPE4,VPE5,VPE7,VPE9,VPX4,VPX5,VPX7,VPX9,VSD3,VS37,VS39 VX39	
7	16028-ZE0-005	SCREW SET	1	-	VE39,VKX4,VKX9,VPE4,VPE5,VPE7,VPE9,VPX4,VPX5,VPX7,VPX9,VSD3,VS37,VS39 VX39	
8	16100-ZH9-V02	CARBURETOR ASSY. (BE21D C)	1	-	1043277 VKX4,VPE4,VPE7,VPX4,VPX7 1048467 VSD3,VS37	
	16100-ZK9-R61	CARBURETOR ASSY. (BE77R A)	1	-	1070780 VE39,VKX9,VPE5,VPE9,VPX5,VPX9,VS39,VX39	
	16100-ZK9-R62	CARBURETOR ASSY. (BE77R B/C)	1	-	1070781 VE39,VKX9,VPE5,VPE9,VPX5,VPX9,VS39,VX39	
	16100-Z5H-V01	CARBURETOR ASSY. (BE21F A)	1	-	1043278 1076395 VKX4,VPE4,VPE7,VPX4,VPX7 1048468 1076395 VSD3,VS37	
	16100-Z5H-V02	CARBURETOR ASSY. (BE21F B/C)	1	-	1076396 VKX4,VPE4,VPE7,VPX4,VPX7,VSD3,VS37	
9	16124-ZE0-005	SCREW, THROTTLE STOP	1	-	VE39,VKX4,VKX9,VPE4,VPE5,VPE7,VPE9,VPX4,VPX5,VPX7,VPX9,VSD3,VS37,VS39 VX39	
10	16148-141-881	CAP, CHOKE DUST	1	-	VE39,VKX4,VKX9,VPE4,VPE5,VPE7,VPE9,VPX4,VPX5,VPX7,VPX9,VSD3,VS37,VS39 VX39	
11	16166-ZH9-820	NOZZLE, MAIN	1	-	VE39,VKX4,VKX9,VPE4,VPE5,VPE7,VPE9,VPX4,VPX5,VPX7,VPX9,VSD3,VS37,VS39 VX39	

Ref. No.	Part No.	Description	Reqd. QTY		Serial No.	Parts catalogue code
			GX 270 U	GX 270 R		
12	16172-ZE3-W10	COLLAR, SETTING .....	1	-		VE39,VKX4,VKX9,VPE4,VPE5,VPE7,VPE9,VPX4,VPX5,VPX7,VPX9,VSD3,VS37,VS39 VX39
13	16211-ZE2-700	INSULATOR, CARBURETOR .....	1	-		VE39,VKX4,VKX9,VPE4,VPE5,VPE7,VPE9,VPX4,VPX5,VPX7,VPX9,VSD3,VS37,VS39 VX39
14	16221-ZA0-800	PACKING, CARBURETOR .....	1	-		VE39,VKX4,VKX9,VPE4,VPE5,VPE7,VPE9,VPX4,VPX5,VPX7,VPX9,VSD3,VS37,VS39 VX39
15	16223-ZA0-800	PACKING, INSULATOR .....	1	-		VE39,VKX4,VKX9,VPE4,VPE5,VPE7,VPE9,VPX4,VPX5,VPX7,VPX9,VSD3,VS37,VS39 VX39
16	16260-ZE2-722	STAY ASSY., MANUAL CHOKE ....	1	-		VPX7,VSD3
	16260-ZE3-D21	.....	1	-	1182939	VPE7
	16260-ZE2-723	.....	1	-		VE39,VKX9,VPE9,VS39,VX39
	16260-ZE3-D22	.....	1	-	1182939	VKX4,VPE4,VPE5,VPX4,VPX5,VPX9,VS37
17	16261-ZE2-702	STAY COMP., SOLENOID .....	1	-		VE39,VKX4,VKX9,VPE4,VPE5,VPE7,VPE9,VPX4,VPX5,VPX7,VPX9,VSD3,VS37,VS39 VX39
18	16262-ZE2-711	LEVER, CHOKE .....	1	-		VE39,VKX4,VKX9,VPE4,VPE5,VPE7,VPE9,VPX4,VPX5,VPX7,VPX9,VSD3,VS37,VS39 VX39
19	16263-ZA0-000	JOINT, ROD .....	1	-		VE39,VKX4,VKX9,VPE4,VPE5,VPE7,VPE9,VPX4,VPX5,VPX7,VPX9,VSD3,VS37,VS39 VX39
20	16264-ZE2-701	ROD, CHOKE .....	1	-		VE39,VKX4,VKX9,VPE4,VPE5,VPE7,VPE9,VPX4,VPX5,VPX7,VPX9,VSD3,VS37,VS39 VX39
21	16265-ZE2-721	STOPPER, CHOKE ROD .....	1	-		VE39,VKX4,VKX9,VPE4,VPE5,VPE7,VPE9,VPX4,VPX5,VPX7,VPX9,VSD3,VS37,VS39 VX39
22	16268-ZE2-721	SPRING, MANUAL CHOKE .....	1	-		VE39,VKX4,VKX9,VPE4,VPE5,VPE7,VPE9,VPX4,VPX5,VPX7,VPX9,VSD3,VS37,VS39 VX39
23	16269-ZA0-800	PACKING, AIR CLEANER .....	2	-		VE39,VKX4,VKX9,VPE4,VPE5,VPE7,VPE9,VPX4,VPX5,VPX7,VPX9,VSD3,VS37,VS39 VX39
24	16400-ZE2-703	DIAPHRAGM ASSY. ....	1	-		VE39,VKX9,VPE9,VPX7,VSD3,VS39,VX39
	16400-ZE2-704	.....	1	-	1182939	VKX4,VPE4,VPE5,VPE7,VPX4,VPX5,VPX9,VS37
25	16611-ZE2-711	ROD, CHOKE CONTROL .....	1	-		VKX4,VPE4,VPE5,VPE7,VPX4,VPX5,VPX9,VS37
	16611-ZE3-D21	.....	1	-		VPE7,VPX7,VSD3
26	16613-893-000	GROMMET, CHOKE ROD .....	1	-		VE39,VKX4,VKX9,VPE4,VPE5,VPE7,VPE9,VPX4,VPX5,VPX7,VPX9,VSD3,VS37,VS39 VX39
27	16615-893-000	GUIDE, CHOKE ROD .....	1	-		VE39,VKX4,VKX9,VPE4,VPE5,VPE7,VPE9,VPX4,VPX5,VPX7,VPX9,VSD3,VS37,VS39 VX39
28	36135-ZF6-D41	VALVE, DASHPOT CHECK .....	1	-		VE39,VKX4,VKX9,VPE4,VPE5,VPE7,VPE9,VPX4,VPX5,VPX7,VPX9,VSD3,VS37,VS39 VX39
29	53149-964-003	BUSH, ARM PIVOT .....	1	-		VE39,VKX4,VKX9,VPE4,VPE5,VPE7,VPE9,VPX4,VPX5,VPX7,VPX9,VSD3,VS37,VS39 VX39
30	88911-MJ3-000	GROMMET, FENDER .....	1	-		VE39,VKX4,VKX9,VPE4,VPE5,VPE7,VPE9,VPX4,VPX5,VPX7,VPX9,VSD3,VS37,VS39 VX39
31	90431-ZE2-700	WASHER, CHOKE LEVER .....	1	-		VE39,VKX4,VKX9,VPE4,VPE5,VPE7,VPE9,VPX4,VPX5,VPX7,VPX9,VSD3,VS37,VS39 VX39
32	90432-ZE2-700	SEAL, CHOKE LEVER .....	2	-		VE39,VKX4,VKX9,VPE4,VPE5,VPE7,VPE9,VPX4,VPX5,VPX7,VPX9,VSD3,VS37,VS39 VX39
33	90433-ZE2-700	WASHER, THRUST, 2.7X8 .....	1	-		VE39,VKX4,VKX9,VPE4,VPE5,VPE7,VPE9,VPX4,VPX5,VPX7,VPX9,VSD3,VS37,VS39 VX39
34	90434-ZE2-700	COLLAR, LEVER .....	1	-		VE39,VKX4,VKX9,VPE4,VPE5,VPE7,VPE9,VPX4,VPX5,VPX7,VPX9,VSD3,VS37,VS39 VX39
35	93500-05012-0A	SCREW, PAN, 5X12 .....	2	-		VE39,VKX4,VKX9,VPE4,VPE5,VPE7,VPE9,VPX4,VPX5,VPX7,VPX9,VSD3,VS37,VS39 VX39

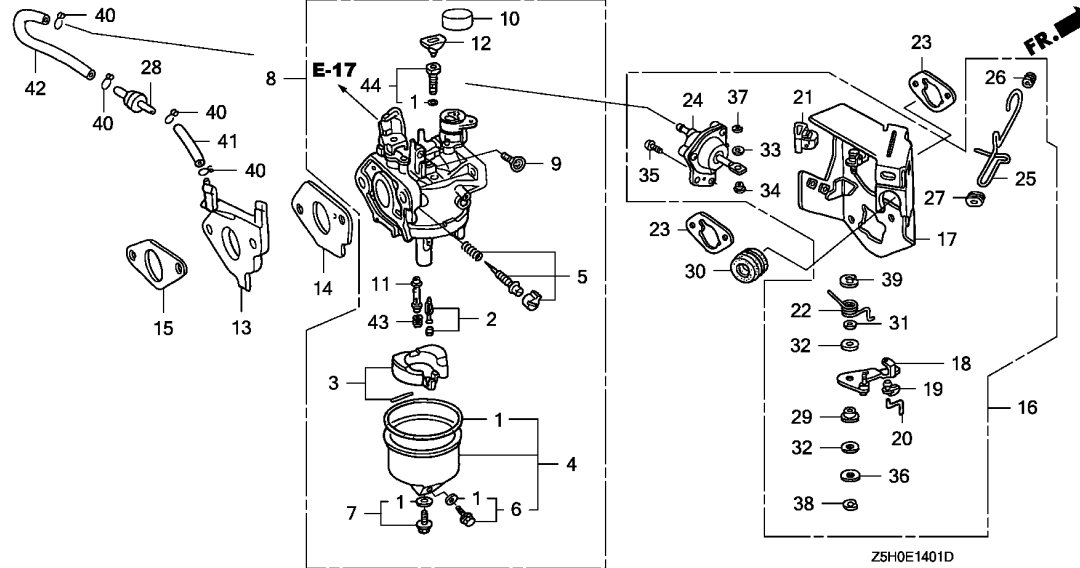




# E-14-1

# CARBURETOR(2)

F10



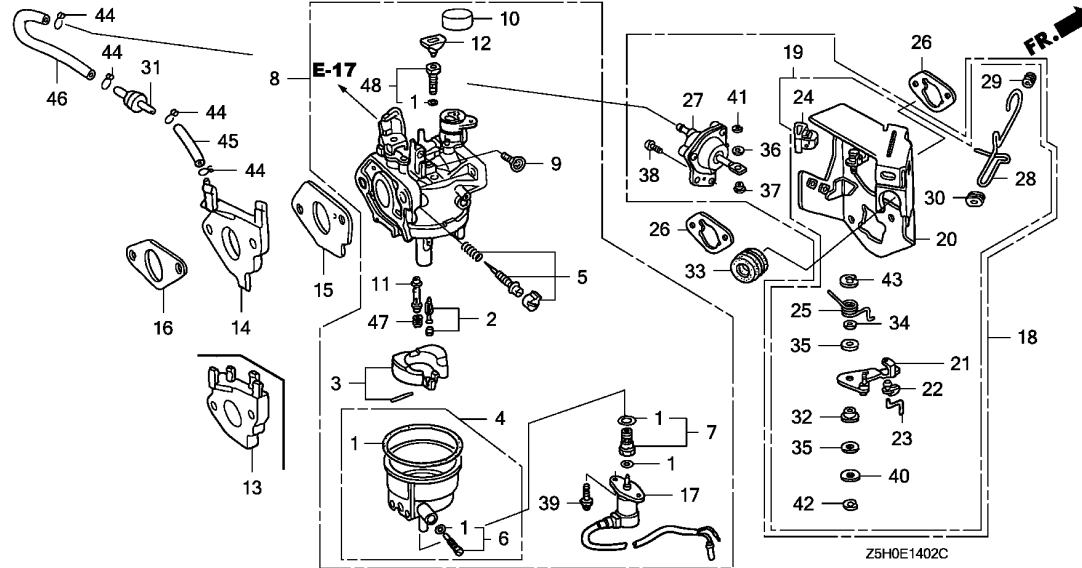
Z5H0E1401D

Ref. No.	Part No.	Description	Reqd. QTY		Serial No.	Parts catalogue code
			GX 270 U	GX 270 R		
36	94103-05000	WASHER, PLAIN, 5MM	1	-	VE39, VKX4, VKX9, VPE4, VPE5, VPE7, VPE9, VPX4, VPX5, VPX7, VPX9, VSD3, VS37, VS39	
37	94540-02010	E-RING, 2MM	1	-	VE39, VKX4, VKX9, VPE4, VPE5, VPE7, VPE9, VPX4, VPX5, VPX7, VPX9, VSD3, VS37, VS39	
38	94540-04010	E-RING, 4MM	1	-	VE39, VKX4, VKX9, VPE4, VPE5, VPE7, VPE9, VPX4, VPX5, VPX7, VPX9, VSD3, VS37, VS39	
39	94540-07010	E-RING, 7MM	1	-	VE39, VKX4, VKX9, VPE4, VPE5, VPE7, VPE9, VPX4, VPX5, VPX7, VPX9, VSD3, VS37, VS39	
40	95002-02070	CLIP, TUBE (B7)	4	-	VE39, VKX4, VKX9, VPE4, VPE5, VPE7, VPE9, VPX4, VPX5, VPX7, VPX9, VSD3, VS37, VS39	
41	95005-35055-10	TUBE, 3.5X55(95005-35001-10M)	1	-	VE39, VKX4, VKX9, VPE4, VPE5, VPE7, VPE9, VPX4, VPX5, VPX7, VPX9, VSD3, VS37, VS39	
42	95005-35075-10	TUBE, 3.5X75(95005-35001-10M)	1	-	VE39, VKX4, VKX9, VPE4, VPE5, VPE7, VPE9, VPX4, VPX5, VPX7, VPX9, VSD3, VS37, VS39	
43	99101-ZH8-0880	JET, MAIN, #88	(1)	-	VE39, VKX4, VKX9, VPE4, VPE5, VPE7, VPE9, VPX4, VPX5, VPX7, VPX9, VSD3, VS37, VS39	
	99101-ZH8-0900	JET, MAIN, #90	(1)	-	VE39, VKX4, VKX9, VPE4, VPE5, VPE7, VPE9, VPX4, VPX5, VPX7, VPX9, VSD3, VS37, VS39	
	99101-ZH8-0920	JET, MAIN, #92	1	-	VE39, VKX4, VKX9, VPE4, VPE5, VPE7, VPE9, VPX4, VPX5, VPX7, VPX9, VSD3, VS37, VS39	
44	99204-ZE0-0400	JET SET, PILOT, #40	1	-	BE77R A VE39, VKX9, VPE5, VPE9, VPX5, VPX9, VS39, VX39	
	99204-ZE2-0400	(CARBURETOR NO.)	1	-	VKX4, VPE4, VPE7, VPX4, VPX7, VSD3, VS37	
		(CARBURETOR NO.)	1	-	BE77R B VE39, VKX9, VPE5, VPE9, VPX5, VPX9, VS39, VX39	

# E-14-2

# CARBURETOR(3)

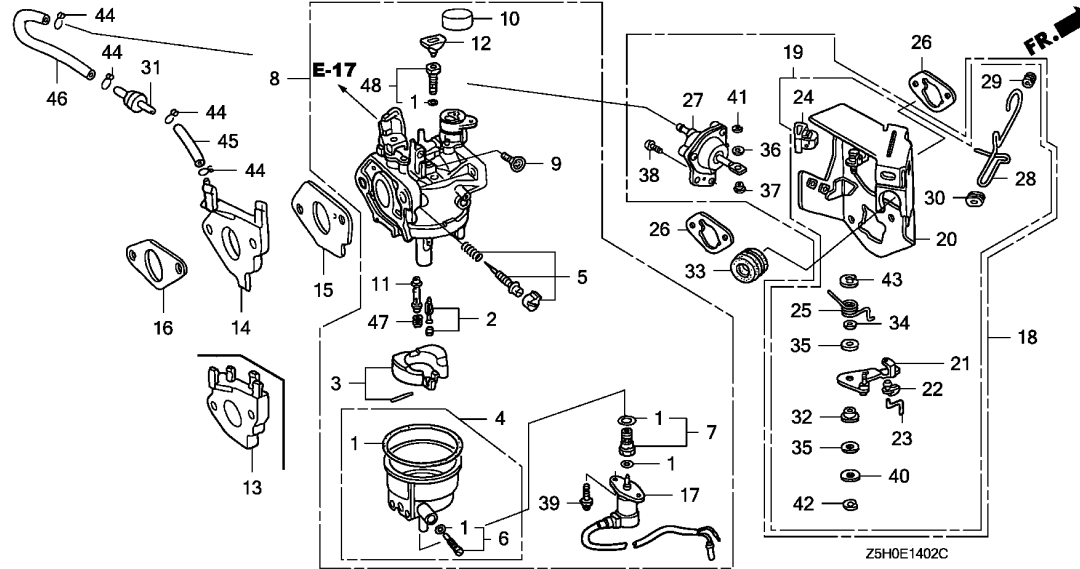
F11



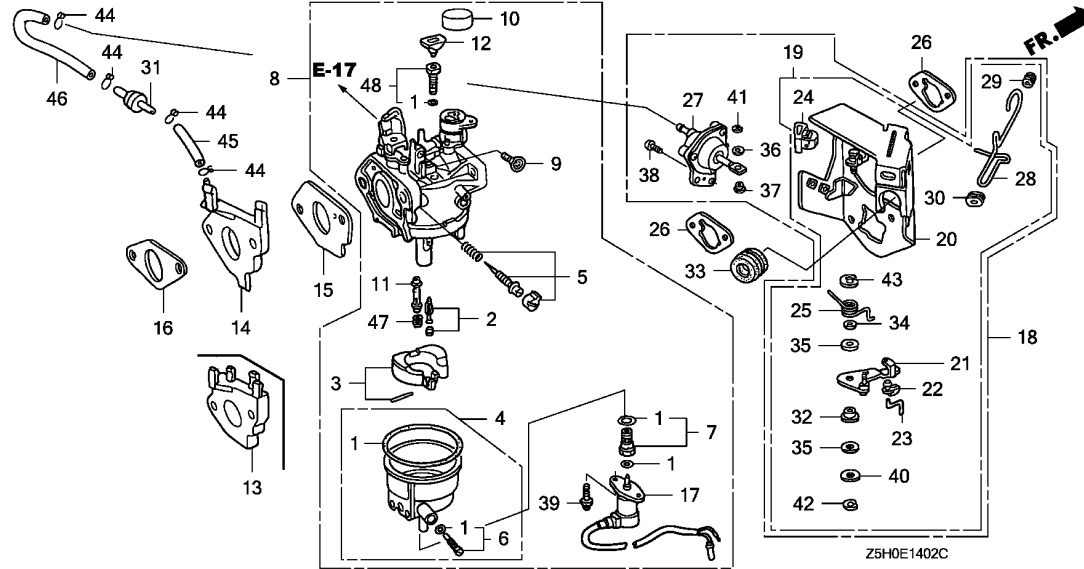
Ref. No.	L.O.N.	(Relative ref. Number) Description	F.R.T.
1	3111G1	GASKET SET, CARBURETOR(A) (3)	0.4
2	3111G6	VALVE SET, FLOAT AND/OR FLOAT SET(A)	0.4
4	3111M2	CHAMBER SET, FLOAT AND/OR GASKET, FLOAT CHAMBER(A)	0.3
5	3111D7	SCREW SET, PILOT	0.2
8	3111G7	CARBURETOR(A) (13,16)	0.3
14	3111G2	INSULATOR, CARBURETOR AND/OR PACKING, INSULATOR(A)	0.3
15	3111G5	PACKING, CARBURETOR(A)	0.3
17	6211C0	VALVE, CARBURETOR SOLENOID	0.2
18	8101R1	STAY, MANUAL CHOKE	0.3
21	8101F9	LEVER, CARBURETOR CHOKE	0.2
23	8101J8	ROD, CARBURETOR CHOKE	0.2
26	3121D9	PACKING, AIR CLEANER	0.2
27	3111A7	DIAPHRAGM, CARBURETOR	0.3
31	311175	VALVE, DASHPOT CHECK	0.1
47	3111G4	JET, MAIN(A)	0.4

Ref. No.	Part No.	Description	Reqd. QTY		Serial No.	Parts catalogue code
			GX 270 U	GX 270 R		
1	16010-ZE3-701	GASKET SET	1	-	VKE4,VKE9,VMS2,VMX2	
2	16011-ZA0-931	VALVE SET, FLOAT	1	-	VKE4,VKE9,VMS2,VMX2	
3	16013-ZA0-931	FLOAT SET	1	-	VKE4,VKE9,VMS2,VMX2	
4	16015-ZA0-931	CHAMBER SET, FLOAT	1	-	VKE4,VKE9,VMS2,VMX2	
5	16016-ZH8-W01	SCREW SET	1	-	VKE4,VKE9,VMS2,VMX2	
6	16024-124-760	SCREW SET, DRAIN	1	-	VKE4,VKE9	
	16024-124-761		1	-	VMS2,VMX2	
7	16028-ZA0-931	SCREW SET	1	-	VKE4,VKE9,VMS2,VMX2	
8	16100-ZH9-V12	CARBURETOR ASSY. (BE21E C)	1	-	1043277 VKE4,VKE9	
	16100-ZK9-R41	CARBURETOR ASSY. (BE77Q A)	1	-	VMS2,VMX2	
	16100-Z5J-V11	CARBURETOR ASSY. (BE21G A)	1	-	1043278 1098393 VKE4,VKE9	
	16100-Z5J-V12	CARBURETOR ASSY. (BE21G B/C)	1	-	1098394 VKE4,VKE9	
9	16124-ZE0-005	SCREW, THROTTLE STOP	1	-	VKE4,VKE9,VMS2,VMX2	
10	16148-141-881	CAP, CHOKE DUST	1	-	VKE4,VKE9,VMS2,VMX2	
11	16166-ZH9-820	NOZZLE, MAIN	1	-	VKE4,VKE9,VMS2,VMX2	
12	16172-ZE3-W10	COLLAR, SETTING	1	-	VKE4,VKE9,VMS2,VMX2	
13	16211-ZE2-000	INSULATOR, CARBURETOR	1	-	VMS2,VMX2	
14	16211-ZE2-700	INSULATOR, CARBURETOR	1	-	VKE4,VKE9	
15	16221-ZA0-800	PACKING, CARBURETOR	1	-	VKE4,VKE9,VMS2,VMX2	
16	16223-ZA0-800	PACKING, INSULATOR	1	-	VKE4,VKE9,VMS2,VMX2	
17	16230-ZE3-701	VALVE ASSY., SOLENOID	1	-	VKE4,VKE9,VMS2,VMX2	
18	16260-ZE2-722	STAY ASSY., MANUAL CHOKE	1	-	VKE4,VKE9	
19	16260-ZF6-U70	STAY ASSY., MANUAL CHOKE	1	-	VMS2,VMX2	
20	16261-ZE2-702	STAY COMP., SOLENOID	1	-	VKE4,VKE9,VMS2,VMX2	
21	16262-ZE2-711	LEVER, CHOKE	1	-	VKE4,VKE9,VMS2,VMX2	

2

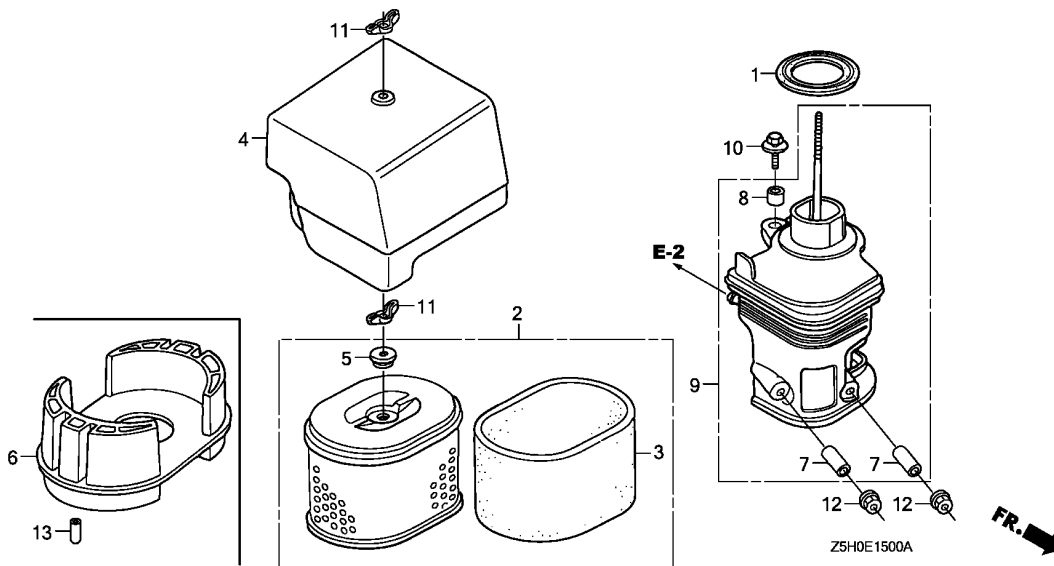


Ref. No.	Part No.	Description	Reqd. QTY		Serial No.	Parts catalogue code
			GX 270 U	GX 270 R		
22	16263-ZA0-000	JOINT, ROD .....	1	-	-----	VKE4,VKE9,VMS2,VMX2
23	16264-ZE2-701	ROD, CHOKE .....	1	-	-----	VKE4,VKE9,VMS2,VMX2
24	16265-ZE2-721	STOPPER, CHOKE ROD .....	1	-	-----	VKE4,VKE9,VMS2,VMX2
25	16268-ZE2-721	SPRING, MANUAL CHOKE .....	1	-	-----	VKE4,VKE9,VMS2,VMX2
26	16269-ZA0-800	PACKING, AIR CLEANER .....	2	-	-----	VKE4,VKE9,VMS2,VMX2
27	16400-ZE2-703	DIAPHRAGM ASSY. ....	1	-	-----	VKE4,VKE9
28	16611-ZE2-711	ROD, CHOKE CONTROL .....	1	-	-----	VKE4,VKE9,VMS2,VMX2
29	16613-893-000	GROMMET, CHOKE ROD .....	1	-	-----	VKE4,VKE9,VMS2,VMX2
30	16615-893-000	GUIDE, CHOKE ROD .....	1	-	-----	VKE4,VKE9,VMS2,VMX2
31	36135-ZF6-D41	VALVE, DASHPOT CHECK .....	1	-	-----	VKE4,VKE9
32	53149-964-003	BUSH, ARM PIVOT .....	1	-	-----	VKE4,VKE9,VMS2,VMX2
33	88911-MJ3-000	GROMMET, FENDER .....	1	-	-----	VKE4,VKE9,VMS2,VMX2
34	90431-ZE2-700	WASHER, CHOKE LEVER .....	1	-	-----	VKE4,VKE9,VMS2,VMX2
35	90432-ZE2-700	SEAL, CHOKE LEVER .....	2	-	-----	VKE4,VKE9,VMS2,VMX2
36	90433-ZE2-700	WASHER, THRUST, 2.7X8 .....	1	-	-----	VKE4,VKE9
37	90434-ZE2-700	COLLAR, LEVER .....	1	-	-----	VKE4,VKE9
38	93500-05012-0A	SCREW, PAN, 5X12 .....	2	-	-----	VKE4,VKE9
39	93892-05012-18	SCREW-WASHER, 5X12 .....	2	-	-----	VKE4,VKE9,VMS2,VMX2
40	94103-05000	WASHER, PLAIN, 5MM .....	1	-	-----	VKE4,VKE9,VMS2,VMX2
41	94540-02010	E-RING, 2MM .....	1	-	-----	VKE4,VKE9
42	94540-04010	E-RING, 4MM .....	1	-	-----	VKE4,VKE9,VMS2,VMX2
43	94540-07010	E-RING, 7MM .....	1	-	-----	VKE4,VKE9,VMS2,VMX2
44	95002-02070	CLIP, TUBE (B7) .....	4	-	-----	VKE4,VKE9
45	95005-35055-10	TUBE, 3.5X55(95005-35001-10M)	1	-	-----	VKE4,VKE9



Ref. No.	Part No.	Description	Reqd. QTY		Serial No.	Parts catalogue code
			GX 270 U	GX 270 R		
46	95005-35075-10	TUBE, 3.5X75(95005-35001-10M)	1	-	-----	VKE4,VKE9
47	99101-ZH8-0850	JET, MAIN, #85	(1)	-	-----	VMS2,VMX2
	99101-ZH8-0880	JET, MAIN, #88	(1)	-	-----	VKE4,VKE9,VMS2,VMX2
	99101-ZH8-0900	JET, MAIN, #90	1	-	-----	VMS2,VMX2
	99101-ZH8-0920	JET, MAIN, #92	(1)	-	-----	VKE4,VKE9
48	99204-ZE2-0400	JET SET, PILOT, #40	1	-	-----	VKE4,VKE9,VMS2,VMX2





Ref. No.	L.O.N.	(Relative ref. Number) Description	F.R.T.
2	3121B8	ELEMENT, AIR CLEANER	0.1
3	3121C1	FILTER, OUTER	0.1
6	3121D6	NOSE, SILENCER	0.1
9	3121B4	ELBOW, AIR CLEANER	0.1

Ref. No.	Part No.	Description	Reqd. QTY		Serial No.	Parts catalogue code
			GX 270 U	GX 270 R		
1	16271-ZE2-010	PACKING, ELBOW	1	-	-----	HA2,HEA2,HEA8,HXQ4,HX26,HX8,LXE8,LXQ4,LXU,PAE2,PA2,PXE8,PXU,PX26,QAE2,QAE6,QAG,QAG2,QAQ4,QAR2,QAW,QA2,QA26,QE,QHE4,QHQ4,QHR,QHR4,QH26,QKE3,QKE4,QME2,QSE2,QSE8,QXB6,QXE4,QXE6,QXE8,QXQ4,QXU,RA2,RHE4,RHG4,RHQ4,RH26,RSC2,RXQ4,RXU,SAX4,SE,SHQ4,SMC4,SME1,SME6,SMX2,SWA4,SWC4,SXE4,SXE8,SXQ4,SXU,VAG2,VA2,VDE2,VKB2,VKQ4,VME2,VM2,VNT2,VWA2,VWN2,VW12,VXE4,VXE6,VXQ4,VXU1,VX2,WMA4,WMT8
2	17210-ZE2-822	ELEMENT, AIR CLEANER (DUAL)	-	1	-----	HA2,HEA2,HEA8,HXQ4,HX26,HX8,LXE8,LXQ4,LXU,PAE2,PA2,PXE8,PXU,PX26,QAE2,QAE6,QAG,QAG2,QAQ4,QAR2,QAW,QA2,QA26,QE,QHE4,QHQ4,QHR,QHR4,QH26,QKE3,QKE4,QME2,QSE2,QSE8,QXB6,QXE4,QXE6,QXE8,QXQ4,QXU,RA2,RHE4,RHG4,RHQ4,RH26,RSC2,RXQ4,RXU,SAX4,SE,SHQ4,SMC4,SME1,SME6,SMX2,SWA4,SWC4,SXE4,SXE8,SXQ4,SXU,VAG2,VA2,VDE2,VKB2,VKQ4,VME2,VM2,VNT2,VWA2,VWN2,VW12,VXE4,VXE6,VXQ4,VXU1,VX2,WMA4,WMT8
3	17218-ZE2-821	FILTER, OUTER	-	1	-----	HA2,HEA2,HEA8,HXQ4,HX26,HX8,LXE8,LXQ4,LXU,PAE2,PA2,PXE8,PXU,PX26,QAE2,QAE6,QAG,QAG2,QAQ4,QAR2,QAW,QA2,QA26,QE,QHE4,QHQ4,QHR,QHR4,QH26,QKE3,QKE4,QME2,QSE2,QSE8,QXB6,QXE4,QXE6,QXE8,QXQ4,QXU,RA2,RHE4,RHG4,RHQ4,RH26,RSC2,RXQ4,RXU,SAX4,SE,SHQ4,SMC4,SME1,SME6,SMX2,SWA4,SWC4,SXE4,SXE8,SXQ4,SXU,VAG2,VA2,VDE2,VKB2,VKQ4,VME2,VM2,VNT2,VWA2,VWN2,VW12,VXE4,VXE6,VXQ4,VXU1,VX2,WMA4,WMT8
4	17231-ZH9-820	COVER, AIR CLEANER	-	1	-----	HA2,HEA2,HEA8,HXQ4,HX26,HX8,LXE8,LXQ4,LXU,PAE2,PA2,PXE8,PXU,PX26,QAE2,QAE6,QAG,QAG2,QAQ4,QAR2,QAW,QA2,QA26,QE,QHE4,QHQ4,QHR,QHR4,QH26,QME2,QSE2,QSE8,QXB6,QXE4,QXE6,QXE8,QXQ4,QXU,RA2,RHE4,RHG4,RHQ4,RH26,RSC2,RXQ4,RXU,SAX4,SE,SHQ4,SMC4,SME1,SME6,SMX2,SWA4,SWC4,SXE4,SXE8,SXQ4,SXU,VAG2,VA2,VDE2,VKB2,VKQ4,VME2,VM2,VNT2,VWA2,VWN2,VW12,VXE4,VXE6,VXQ4,VXU1,VX2,WMA4,WMT8

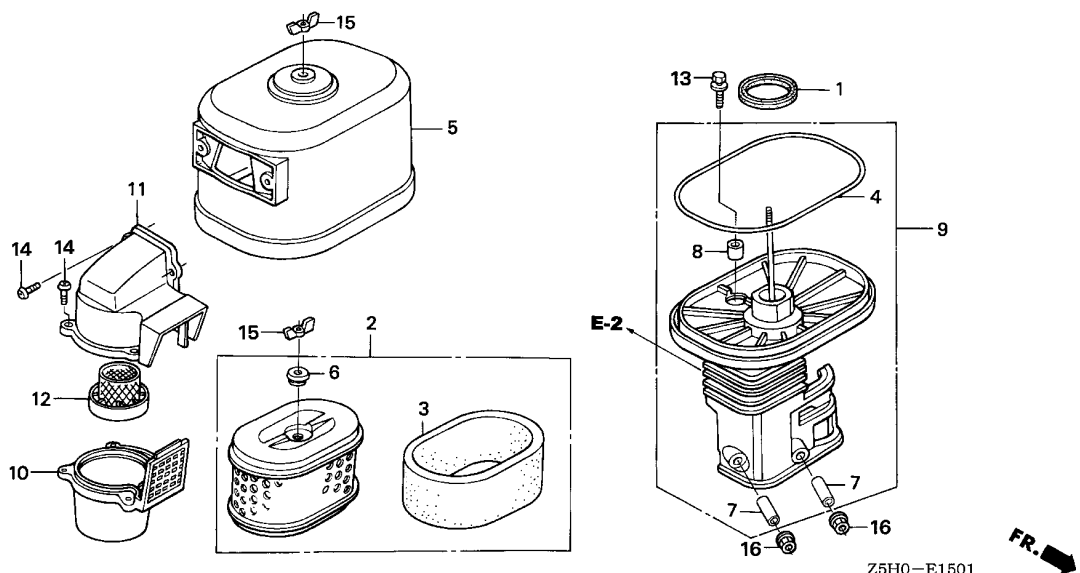
Ref. No.	Part No.	Description	Reqd. QTY		Serial No.	Parts catalogue code
			GX 270 U	GX 270 R		
5	17232-891-000	GROMMET, AIR CLEANER .....	1	-		HA2,HEA2,HEA8,HXQ4,HX26,HX8,LXE8,LXQ4,LXU,PAE2,PA2,PXE8,PXU,PX26,QAE2,QAE6,QAG,QAG2,QAQ4,QAR2,QAW,QA2,QA26,QE,QHE4,QHQ4,QHR,QHR4,QH26,QKE3,QKE4,QME2,QSE2,QSE8,QXB6,QXE4,QXE6,QXE8,QXQ4,QXU,RA2,RHE4,RHG4,RHQ4,RH26,RSC2,RXQ4,RXU,SAX4,SE,SHQ4,SMC4,SME1,SME6,SMX2,SWA4,SWC4,SXE4,SXE8,SXQ4,SXU,VAG2,VA2,VDE2,VKB2,VKQ4,VME2,VM2,VNT2,VWA2,VWN2,VW12,VXE4,VXE6,VXQ4,VXU1,VX2,WMA4,WMT8
			-	1		
6	17235-ZE2-820	NOSE, SILENCER .....	1	-		HXQ4,HX26,HX8,LXE8,LXQ4,LXU,PXE8,PXU,PX26,QE,QKE3,QME2,QSE2,QSE8,QXB6,QXE4,QXE6,QXE8,QXQ4,QXU,RSC2,RXQ4,RXU,SAX4,SE,SME1,SMX2,SWA4,SXE4,SXE8,SXQ4,SXU,VKB2,VNT2,VXE4,VXE6,VXQ4,VXU1,VX2
	17235-Z5H-000	.....	-	1		
7	17238-ZE2-310	COLLAR, AIR CLEANER .....	2	-		HA2,HEA2,HEA8,HXQ4,HX26,HX8,LXE8,LXQ4,LXU,PAE2,PA2,PXE8,PXU,PX26,QAE2,QAE6,QAG,QAG2,QAQ4,QAR2,QAW,QA2,QA26,QE,QHE4,QHQ4,QHR,QHR4,QH26,QKE3,QKE4,QME2,QSE2,QSE8,QXB6,QXE4,QXE6,QXE8,QXQ4,QXU,RA2,RHE4,RHG4,RHQ4,RH26,RSC2,RXQ4,RXU,SAX4,SE,SHQ4,SMC4,SME1,SME6,SMX2,SWA4,SWC4,SXE4,SXE8,SXQ4,SXU,VAG2,VA2,VDE2,VKB2,VKQ4,VME2,VM2,VNT2,VWA2,VWN2,VW12,VXE4,VXE6,VXQ4,VXU1,VX2,WMA4,WMT8
			-	2		
8	17239-ZE1-000	COLLAR B, AIR CLEANER .....	1	-		HA2,HEA2,HEA8,HXQ4,HX26,HX8,LXE8,LXQ4,LXU,PAE2,PA2,PXE8,PXU,PX26,QAE2,QAE6,QAG,QAG2,QAQ4,QAR2,QAW,QA2,QA26,QE,QHE4,QHQ4,QHR,QHR4,QH26,QKE3,QKE4,QME2,QSE2,QSE8,QXB6,QXE4,QXE6,QXE8,QXQ4,QXU,RA2,RHE4,RHG4,RHQ4,RH26,RSC2,RXQ4,RXU,SAX4,SE,SHQ4,SMC4,SME1,SME6,SMX2,SWA4,SWC4,SXE4,SXE8,SXQ4,SXU,VAG2,VA2,VDE2,VKB2,VKQ4,VME2,VM2,VNT2,VWA2,VWN2,VW12,VXE4,VXE6,VXQ4,VXU1,VX2,WMA4,WMT8
			-	1		
9	17410-ZE2-020	ELBOW COMP., AIR CLEANER .....	1	-		HA2,HEA2,HEA8,HXQ4,HX26,HX8,LXE8,LXQ4,LXU,PAE2,PA2,PXE8,PXU,PX26,QAE2,QAE6,QAG,QAG2,QAQ4,QAR2,QAW,QA2,QA26,QE,QHE4,QHQ4,QHR,QHR4,QH26,QKE3,QKE4,QME2,QSE2,QSE8,QXB6,QXE4,QXE6,QXE8,QXQ4,QXU,RA2,RHE4,RHG4,RHQ4,RH26,RSC2,RXQ4,RXU,SAX4,SE,SHQ4,SMC4,SME1,SME6,SMX2,SWA4,SWC4,SXE4,SXE8,SXQ4,SXU,VAG2,VA2,VDE2,VKB2,VKQ4,VME2,VM2,VNT2,VWA2,VWN2,VW12,VXE4,VXE6,VXQ4,VXU1,VX2,WMA4,WMT8
			-	1		
10	90009-ZE2-003	BOLT-WASHER, 6X22 .....	1	-		HA2,HEA2,HEA8,HXQ4,HX26,HX8,LXE8,LXQ4,LXU,PAE2,PA2,PXE8,PXU,PX26,QAE2,QAE6,QAG,QAG2,QAQ4,QAR2,QAW,QA2,QA26,QE,QHE4,QHQ4,QHR,QHR4,QH26,QKE3,QKE4,QME2,QSE2,QSE8,QXB6,QXE4,QXE6,QXE8,QXQ4,QXU,RA2,RHE4,RHG4,RHQ4,RH26,RSC2,RXQ4,RXU,SAX4,SE,SHQ4,SMC4,SME1,SME6,SMX2,SWA4,SWC4,SXE4,SXE8,SXQ4,SXU,VAG2,VA2,VDE2,VKB2,VKQ4,VME2,VM2,VNT2,VWA2,VWN2,VW12,VXE4,VXE6,VXQ4,VXU1,VX2,WMA4,WMT8
			-	1		
11	90325-044-000	NUT, TOOL BOX SETTING .....	1	-		QKE3,QKE4
			2	-		HA2,HEA2,HEA8,HXQ4,HX26,HX8,LXE8,LXQ4,LXU,PAE2,PA2,PXE8,PXU,PX26,QAE2,QAE6,QAG,QAG2,QAQ4,QAR2,QAW,QA2,QA26,QE,QHE4,QHQ4,QHR,QHR4,QH26,QME2,QSE2,QSE8,QXB6,QXE4,QXE6,QXE8,QXQ4,QXU,RA2,RHE4,RHG4,RHQ4,RH26,RSC2,RXQ4,RXU,SAX4,SE,SHQ4,SMC4,SME1,SME6,SMX2,SWA4,SWC4,SXE4,SXE8,SXQ4,SXU,VAG2,VA2,VDE2,VKB2,VKQ4,VME2,VM2,VNT2,VWA2,VWN2,VW12,VXE4,VXE6,VXQ4,VXU1,VX2,WMA4,WMT8
			-	2		
12	94050-06000	NUT, FLANGE, 6MM .....	2	-		HA2,HEA2,HEA8,HXQ4,HX26,HX8,LXE8,LXQ4,LXU,PAE2,PA2,PXE8,PXU,PX26,QAE2,QAE6,QAG,QAG2,QAQ4,QAR2,QAW,QA2,QA26,QE,QHE4,QHQ4,QHR,QHR4,QH26,QKE3,QKE4,QME2,QSE2,QSE8,QXB6,QXE4,QXE6,QXE8,QXQ4,QXU,RA2,RHE4,RHG4,RHQ4,RH26,RSC2,RXQ4,RXU,SAX4,SE,SHQ4,SMC4,SME1,SME6,SMX2,SWA4,SWC4,SXE4,SXE8,SXQ4,SXU,VAG2,VA2,VDE2,VKB2,VKQ4,VME2,VM2,VNT2,VWA2,VWN2,VW12,VXE4,VXE6,VXQ4,VXU1,VX2,WMA4,WMT8
			-	2		
13	90634-ZL8-H00	CAP, SEALING .....	-	2		
			-	1		



# E-15-1

# AIR CLEANER(2)

**F16**



Ref. No.	L.O.N.	(Relative ref. Number) Description	F.R.T.
1	3121E1	PACKING, ELBOW .....	0.1
2	3121B8	ELEMENT, AIR CLEANER .....	0.1
3	3121C1	FILTER, OUTER .....	0.1
4	3121E0	PACKING, AIR CLEANER COVER ...	0.1
9	3121B4	ELBOW, AIR CLEANER .....	0.1
10	3121A6	CASE, PRE AIR CLEANER .....	0.1
11	3121A4	CAP, PRE AIR CLEANER .....	0.1
12	3121C8	GUIDE, PRE AIR CLEANER .....	0.1

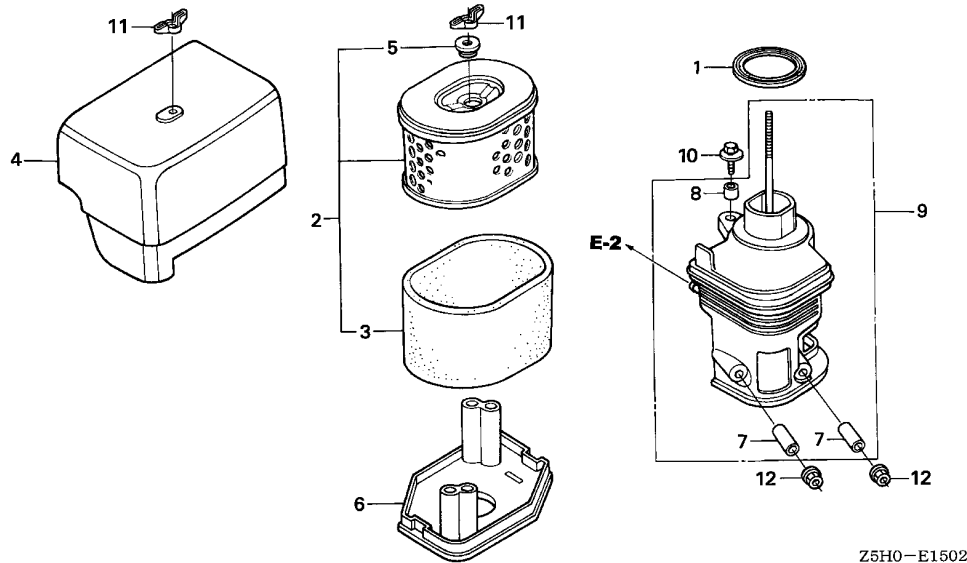
**2**

Ref. No.	Part No.	Description	Reqd. QTY		Serial No.	Parts catalogue code
			GX 270 U	GX 270 R		
1	16271-ZE2-010	PACKING, ELBOW .....	1	-	-----	QSC9,QWA4,QWH2,QXC4,QXC6,QXC9,VMA4,VME4
2	17210-ZE3-010	ELEMENT, AIR CLEANER .....	1	-	-----	QSC9,QWA4,QWH2,QXC4,QXC6,QXC9,VMA4,VME4
3	17218-ZE3-000	FILTER, OUTER .....	1	-	-----	QSC9,QWA4,QWH2,QXC4,QXC6,QXC9,VMA4,VME4
4	17219-ZE3-840	PACKING, AIR CLEANER COVER ..	1	-	-----	QSC9,QWA4,QWH2,QXC4,QXC6,QXC9,VMA4,VME4
5	17230-ZE3-841	COVER COMP., AIR CLEANER (CYCLONE)	1	-	-----	QSC9,QWA4,QWH2,QXC4,QXC6,QXC9,VMA4,VME4
6	17232-891-000	GROMMET, AIR CLEANER .....	1	-	-----	QSC9,QWA4,QWH2,QXC4,QXC6,QXC9,VMA4,VME4
7	17238-ZE2-310	COLLAR, AIR CLEANER .....	2	-	-----	QSC9,QWA4,QWH2,QXC4,QXC6,QXC9,VMA4,VME4
8	17239-ZE3-840	COLLAR B, AIR CLEANER .....	1	-	-----	QSC9,QWA4,QWH2,QXC4,QXC6,QXC9,VMA4,VME4
9	17410-ZE3-840	ELBOW COMP., AIR CLEANER .....	1	-	-----	QSC9,QWA4,QWH2,QXC4,QXC6,QXC9,VMA4,VME4
10	17470-ZE3-842	CASE COMP., PRE AIR CLEANER ..	1	-	-----	QSC9,QWA4,QWH2,QXC4,QXC6,QXC9,VMA4,VME4
11	17475-ZE3-841	CAP, PRE AIR CLEANER .....	1	-	-----	QSC9,QWA4,QWH2,QXC4,QXC6,QXC9,VMA4,VME4
12	17476-ZE3-841	GUIDE, PRE AIR CLEANER .....	1	-	-----	QSC9,QWA4,QWH2,QXC4,QXC6,QXC9,VMA4,VME4
13	90009-ZE2-003	BOLT-WASHER, 6X22 .....	1	-	-----	QSC9,QWA4,QWH2,QXC4,QXC6,QXC9,VMA4,VME4
14	90142-MB0-000	SCREW, PAN, 5X16.5 .....	5	-	-----	QSC9,QWA4,QWH2,QXC4,QXC6,QXC9,VMA4,VME4
15	90325-044-000	NUT, TOOL BOX SETTING .....	2	-	-----	QSC9,QWA4,QWH2,QXC4,QXC6,QXC9,VMA4,VME4
16	94050-06000	NUT, FLANGE, 6MM .....	2	-	-----	QSC9,QWA4,QWH2,QXC4,QXC6,QXC9,VMA4,VME4

# E-15-2

# AIR CLEANER(3)

G 1



Ref. No.	L.O.N.	(Relative ref. Number) Description	F.R.T.
2	3121B8	ELEMENT, AIR CLEANER .....	0.1
3	3121C1	FILTER, OUTER .....	0.1
6	3121D6	NOSE, SILENCER .....	0.1
9	3121B4	ELBOW, AIR CLEANER .....	0.1

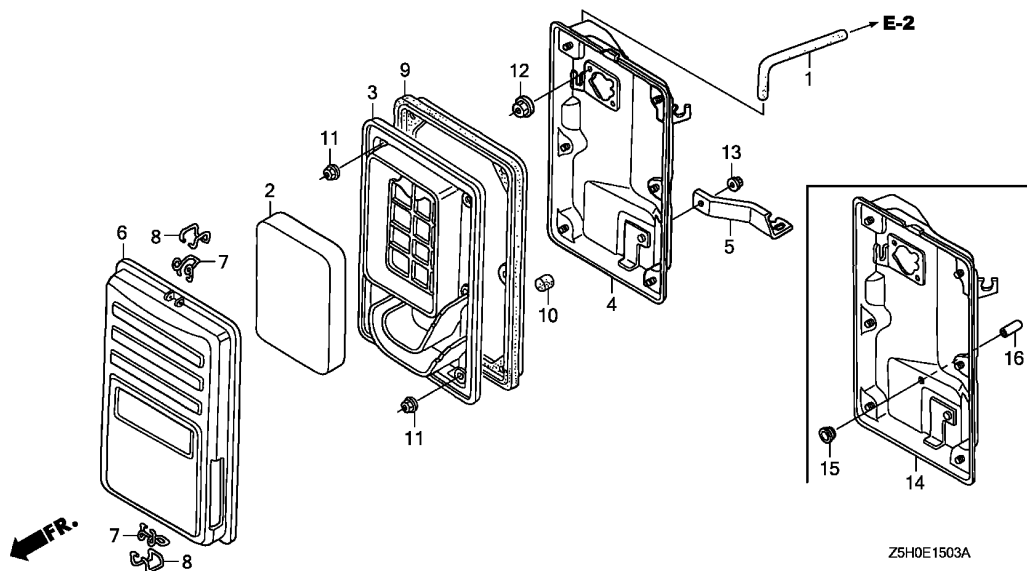
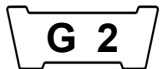
Ref. No.	Part No.	Description	Reqd. QTY		Serial No.	Parts catalogue code
			GX 270 U	GX 270 R		
1	16271-ZE2-010	PACKING, ELBOW .....	1	-	-----	QXB,QXB7,QXB9,SXB,SXB7,SXB9,SXEB,VNG1,VN17,VN19,VSD,VSD7,VSD9,VSH7,VSH9,VWT4,VXB,VXB7,VXB9,VXEB,VXE7,VXE9
2	17210-ZE3-010	ELEMENT, AIR CLEANER .....	1	-	-----	QXB,QXB7,QXB9,SXB,SXB7,SXB9,SXEB,VNG1,VN17,VN19,VSD,VSD7,VSD9,VSH7,VSH9,VWT4,VXB,VXB7,VXB9,VXEB,VXE7,VXE9
3	17218-ZE3-000	FILTER, OUTER .....	1	-	-----	QXB,QXB7,QXB9,SXB,SXB7,SXB9,SXEB,VNG1,VN17,VN19,VSD,VSD7,VSD9,VSH7,VSH9,VWT4,VXB,VXB7,VXB9,VXEB,VXE7,VXE9
4	17231-ZH9-N01	COVER, AIR CLEANER (100DB) ..	1	-	-----	QXB,QXB7,QXB9,SXB,SXB7,SXB9,SXEB,VNG1,VN17,VN19,VSD,VSD7,VSD9,VSH7,VSH9,VWT4,VXB,VXB7,VXB9,VXEB,VXE7,VXE9
5	17232-891-000	GROMMET, AIR CLEANER .....	1	-	-----	QXB,QXB7,QXB9,SXB,SXB7,SXB9,SXEB,VNG1,VN17,VN19,VSD,VSD7,VSD9,VSH7,VSH9,VWT4,VXB,VXB7,VXB9,VXEB,VXE7,VXE9
6	17235-ZH9-N00	NOSE, SILENCER .....	1	-	1015115	QXB,QXB7,SXB,SXB7,SXEB,VNG1,VN17,VSD,VSD7,VSH7,VWT4,VXB,VXB7,VXEB,VXE7
	17235-ZH9-N01	.....	1	-	-----	QXB9,SXB9,VN19,VSD9,VSH9,VXB9,VXE9
			1	-	1015116	QXB,QXB7,SXB,SXB7,SXEB,VNG1,VN17,VSD,VSD7,VSH7,VWT4,VXB,VXB7,VXEB,VXE7
7	17238-ZE2-310	COLLAR, AIR CLEANER .....	2	-	-----	QXB,QXB7,QXB9,SXB,SXB7,SXB9,SXEB,VNG1,VN17,VN19,VSD,VSD7,VSD9,VSH7,VSH9,VWT4,VXB,VXB7,VXB9,VXEB,VXE7,VXE9
8	17239-ZE1-000	COLLAR B, AIR CLEANER .....	1	-	-----	QXB,QXB7,QXB9,SXB,SXB7,SXB9,SXEB,VNG1,VN17,VN19,VSD,VSD7,VSD9,VSH7,VSH9,VWT4,VXB,VXB7,VXB9,VXEB,VXE7,VXE9
9	17410-ZH9-N00	ELBOW COMP., AIR CLEANER ....	1	-	-----	QXB,QXB7,QXB9,SXB,SXB7,SXB9,SXEB,VNG1,VN17,VN19,VSD,VSD7,VSD9,VSH7,VSH9,VWT4,VXB,VXB7,VXB9,VXEB,VXE7,VXE9
10	90009-ZE2-003	BOLT-WASHER, 6X22 .....	1	-	-----	QXB,QXB7,QXB9,SXB,SXB7,SXB9,SXEB,VNG1,VN17,VN19,VSD,VSD7,VSD9,VSH7,VSH9,VWT4,VXB,VXB7,VXB9,VXEB,VXE7,VXE9
11	90325-044-000	NUT, TOOL BOX SETTING .....	2	-	-----	QXB,QXB7,QXB9,SXB,SXB7,SXB9,SXEB,VNG1,VN17,VN19,VSD,VSD7,VSD9,VSH7,VSH9,VWT4,VXB,VXB7,VXB9,VXEB,VXE7,VXE9
12	94050-06000	NUT, FLANGE, 6MM .....	2	-	-----	QXB,QXB7,QXB9,SXB,SXB7,SXB9,SXEB,VNG1,VN17,VN19,VSD,VSD7,VSD9,VSH7,VSH9,VWT4,VXB,VXB7,VXB9,VXEB,VXE7,VXE9





E-15-3

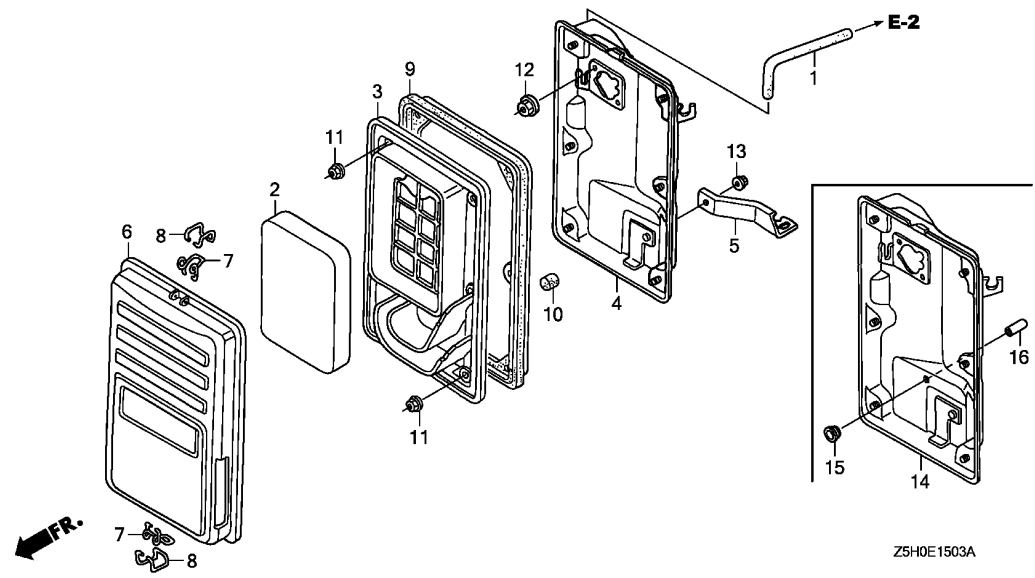
AIR CLEANER(4)



Ref. No.	L.O.N.	(Relative ref. Number) Description	F.R.T.
1	1111K5	TUBE, BREATHER .....	0.2
2	3121B8	ELEMENT, AIR CLEANER .....	0.1
3	3121F0	SEPARATOR, AIR CLEANER .....	0.1
4		(14)	
	3121A5	CASE, AIR CLEANER .....	0.2
9	3121E8	SEAL, AIR CLEANER CASE .....	0.1

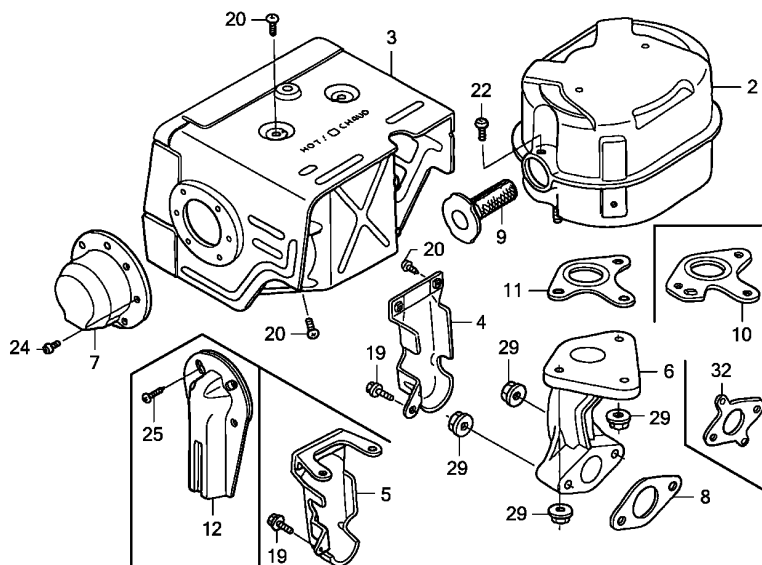
Ref. No.	Part No.	Description	Reqd. QTY		Serial No.	Parts catalogue code
			GX 270 U	GX 270 R		
1	15721-ZB4-000	TUBE, BREATHER .....	1	-	-----	VE39,VKE4,VKE9,VKX4,VKX9,VMS2,VMX2,VPE4,VPE5,VPE7,VPE9,VPX4,VPX5,VPX7,VPX9,VSD3,VS37,VS39,VX39
2	17211-899-000	ELEMENT, AIR CLEANER .....	1	-	-----	VE39,VKE4,VKE9,VKX4,VKX9,VMS2,VMX2,VPE4,VPE5,VPE7,VPE9,VPX4,VPX5,VPX7,VPX9,VSD3,VS37,VS39,VX39
3	17212-ZB4-003	SEPARATOR, AIR CLEANER .....	1	-	-----	1201798 VE39,VKE4,VKE9,VKX4,VKX9,VMS2,VMX2,VPE4,VPE5,VPE7,VPE9,VPX4,VPX5,VPX7,VPX9,VSD3,VS37,VS39,VX39
	17212-Z5R-000	.....	1	-	-----	1201799 VE39,VKE4,VKE9,VKX4,VKX9,VMS2,VMX2,VPE4,VPE5,VPE7,VPE9,VPX4,VPX5,VPX7,VPX9,VSD3,VS37,VS39,VX39
4	17220-ZB4-003	CASE COMP., AIR CLEANER .....	1	-	-----	1201798 VE39,VKE4,VKE9,VKX4,VKX9,VMS2,VMX2,VPE4,VPE5,VPE7,VPE9,VPX4,VPX5,VPX7,VPX9,VSD3,VS37,VS39,VX39
5	17222-ZB4-000	STAY, AIR CLEANER .....	1	-	-----	VE39,VKE4,VKE9,VKX4,VKX9,VMS2,VMX2,VPE4,VPE5,VPE7,VPE9,VPX4,VPX5,VPX7,VPX9,VSD3,VS37,VS39,VX39
6	17231-899-000	COVER COMP., AIR CLEANER .....	1	-	-----	VE39,VKE4,VKE9,VKX4,VKX9,VMS2,VMX2,VPE4,VPE5,VPE7,VPE9,VPX4,VPX5,VPX7,VPX9,VSD3,VS37,VS39,VX39
7	17235-899-000	CLIP A, AIR CLEANER WIRE .....	2	-	-----	VE39,VKE4,VKE9,VKX4,VKX9,VMS2,VMX2,VPE4,VPE5,VPE7,VPE9,VPX4,VPX5,VPX7,VPX9,VSD3,VS37,VS39,VX39
8	17236-899-000	CLIP B, AIR CLEANER WIRE .....	2	-	-----	VE39,VKE4,VKE9,VKX4,VKX9,VMS2,VMX2,VPE4,VPE5,VPE7,VPE9,VPX4,VPX5,VPX7,VPX9,VSD3,VS37,VS39,VX39
9	17252-899-000	SEAL, AIR CLEANER .....	1	-	-----	VE39,VKE4,VKE9,VKX4,VKX9,VMS2,VMX2,VPE4,VPE5,VPE7,VPE9,VPX4,VPX5,VPX7,VPX9,VSD3,VS37,VS39,VX39
10	17367-413-690	FILTER, DRAIN TUBE .....	1	-	-----	VE39,VKE4,VKE9,VKX4,VKX9,VMS2,VMX2,VPE4,VPE5,VPE7,VPE9,VPX4,VPX5,VPX7,VPX9,VSD3,VS37,VS39,VX39
11	94050-05000	NUT, FLANGE, 5MM .....	6	-	-----	VE39,VKE4,VKE9,VKX4,VKX9,VMS2,VMX2,VPE4,VPE5,VPE7,VPE9,VPX4,VPX5,VPX7,VPX9,VSD3,VS37,VS39,VX39
12	94050-06000	NUT, FLANGE, 6MM .....	2	-	-----	VE39,VKE4,VKE9,VKX4,VKX9,VMS2,VMX2,VPE4,VPE5,VPE7,VPE9,VPX4,VPX5,VPX7,VPX9,VSD3,VS37,VS39,VX39

2



Ref. No.	Part No.	Description	Reqd. QTY		Serial No.	Parts catalogue code	
			GX 270 U	GX 270 R			
13	94050-06080	NUT, FLANGE, 6MM .....	1	-	-----	VE39,VKE4,VKE9,VKX4,VKX9,VMS2,VMX2,VPE4,VPE5,VPE7,VPE9,VPX4,VPX5,VPX7,VPX9,VSD3,VS37,VS39,VX39	
14	17220-Z5R-000	CASE COMP., AIR CLEANER .....	1	-	1201799	-----	VE39,VKE4,VKE9,VKX4,VKX9,VMS2,VMX2,VPE4,VPE5,VPE7,VPE9,VPX4,VPX5,VPX7,VPX9,VSD3,VS37,VS39,VX39
15	17232-898-000	GROMMET, AIR CLEANER .....	1	-	1201799	-----	VE39,VKE4,VKE9,VKX4,VKX9,VMS2,VMX2,VPE4,VPE5,VPE7,VPE9,VPX4,VPX5,VPX7,VPX9,VSD3,VS37,VS39,VX39
16	90634-ZL8-H00	CAP, SEALING .....	1	-	1201799	-----	VE39,VKE4,VKE9,VKX4,VKX9,VMS2,VMX2,VPE4,VPE5,VPE7,VPE9,VPX4,VPX5,VPX7,VPX9,VSD3,VS37,VS39,VX39

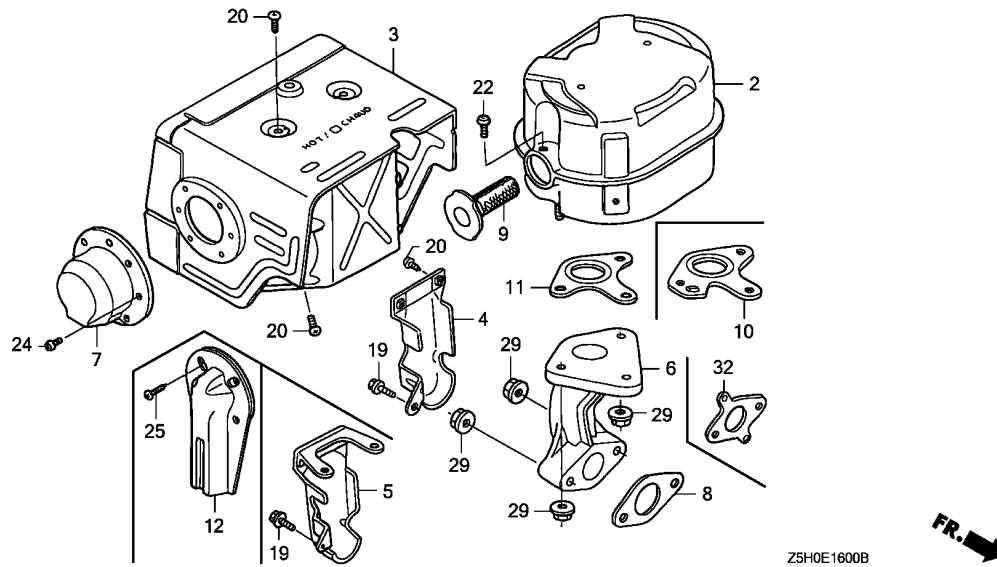




Z5H0E1600B

Ref. No.	L.O.N.	(Relative ref. Number) Description	F.R.T.
2	3131C5	MUFFLER, EXHAUST .....	0.2
3	3131D6	PROTECTOR, EXHAUST MUFFLER ...	0.2
6	3131C9	PIPE, EXHAUST .....	0.2
8		(32)	
	3131B5	GASKET, EXHAUST PIPE .....	0.2
9	3131A1	ARRESTER, SPARK .....	0.2
11		(10)	
	3131B4	GASKET, EXHAUST MUFFLER .....	0.2

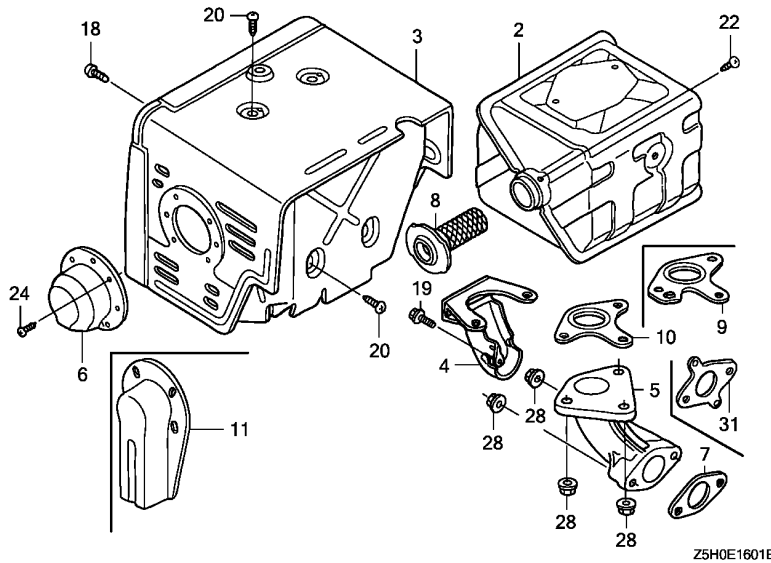
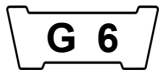
Ref. No.	Part No.	Description	Reqd. QTY		Serial No.	Parts catalogue code
			GX 270 U	GX 270 R		
2	18310-ZE2-W00	MUFFLER COMP. ....	1	1	-----	HA2,HEA2,HEA8,PAE2,PA2,QAE2,QAE6,QAG,QAG2,QAQ4,QAR2,QA2,QA26,QHE4,QHQ4,QHR,QHR4,QH26,RA2,RHE4,RHQ4,RH26,SHQ4,SMX2,SWC4,VAG2,VA2,VDE2,VKQ4,VMA4,VME2,VME4,VM2,VWA2,VWN2,VW12,WMA4,WMT8
3	18320-ZE2-W01	PROTECTOR COMP., MUFFLER (STD.)	1	1	-----	HA2,HEA2,HEA8,PAE2,PA2,QAE2,QAE6,QAG,QAG2,QAQ4,QAR2,QA2,QA26,QHE4,QHQ4,QHR,QHR4,QH26,RA2,RHE4,RHQ4,RH26,SHQ4,SMX2,SWC4,VAG2,VA2,VDE2,VKQ4,VMA4,VME2,VME4,VM2,VWA2,VWN2,VW12,WMA4,WMT8
4	18323-ZE2-W00	PROTECTOR, EX. PIPE .....	1	1	-----	HA2,HEA2,HEA8,PAE2,PA2,QAE2,QAE6,QAG,QAG2,QAQ4,QAR2,QA2,QA26,RA2,SMX2,VAG2,VA2,VDE2,VMA4,VME2,VME4,VM2,VWA2,VWN2,VW12
5	18323-ZE2-W60	PROTECTOR, EX. PIPE (100DB) -	1	-	-----	SWC4
6	18330-ZE2-W00	PIPE, EX. ....	1	1	-----	HA2,HEA2,HEA8,PAE2,PA2,QAE2,QAE6,QAG,QAG2,QAQ4,QAR2,QA2,QA26,QHE4,QHQ4,QHR,QHR4,QH26,RA2,RHE4,RHQ4,RH26,SHQ4,SMX2,VAG2,VA2,VDE2,VKQ4,VMA4,VME2,VME4,VM2,VWA2,VWN2,VW12,WMA4,WMT8
	18330-ZH9-N00	.....	1	-	-----	SWC4
7	18331-ZE2-810	CAP, MUFFLER .....	1	1	-----	HA2,HEA2,HEA8,PAE2,PA2,QAE2,QAE6,QAG,QAQ4,QAR2,QA2,QA26,RA2,VA2,VDE2,VWA2,VWN2
8	18333-ZE3-800	GASKET, EX. PIPE .....	1	1	-----	HA2,HEA2,HEA8,PAE2,PA2,QAE2,QAE6,QAG,QAG2,QAQ4,QAR2,QA2,QA26,QHE4,QHQ4,QHR,QHR4,QH26,RA2,RHE4,RHQ4,RH26,SHQ4,SMX2,VA2,VDE2,VKQ4,VMA4,VME2,VME4,VM2,VWA2,VWN2,VW12,WMA4,WMT8
9	18355-ZE2-W00	ARRESTER, SPARK .....	(1)	(1)	-----	HA2,HEA2,HEA8,PAE2,PA2,QAE2,QAE6,QAG,QAG2,QAQ4,QAR2,QA2,QA26,QHE4,QHQ4,QHR,QHR4,QH26,RA2,RHE4,RHQ4,RH26,SHQ4,SMX2,SWC4,VAG2,VA2,VDE2,VKQ4,VME2,VM2,VWA2,VWN2,VW12,WMT8
	18355-ZE2-010	.....	1	1	-----	QAE2,QAE6,QAG,QAQ4,QAR2,QA2,QA26,SMX2,SWC4,VAG2,VA2,VDE2,VMA4,VME2,VME4,VM2,VWA2,VWN2,VW12
			(1)	-	-----	HA2,HEA2,HEA8,PAE2,PA2,QAG2,QHE4,QHQ4,QHR,QHR4,QH26,RA2,RHE4,RHQ4,RH26,SHQ4,VKQ4,WMA4,WMT8



Ref. No.	Part No.	Description	Reqd. QTY		Serial No.	Parts catalogue code
			GX 270 U	GX 270 R		
10	18381-ZE2-W10	GASKET, MUFFLER (ARRESTER) ..	1	1	-----	QAE2,QAE6,QAG,QAQ4,QAR2,QA2,QA26,SMX2,SWC4,VAG2,VA2,VDE2,VMA4,VME2,VME4,VM2,VWA2,VWN2,VW12
			(1)	-	-----	HA2,HEA2,HEA8,PAE2,PA2,QAG2,QHE4,QHQ4,QHR,QHR4,QH26,RA2,RHE4,RHG4,RHQ4,RH26,SHQ4,VKQ4,WMA4,WMT8
11	18381-ZE2-800	GASKET, MUFFLER .....	1	-	-----	HA2,HEA2,HEA8,PAE2,PA2,QAG2,QHE4,QHQ4,QHR,QHR4,QH26,RA2,RHE4,RHQ4,RH26,SHQ4,VKQ4,WMA4,WMT8
12	18430-ZK9-W50	DEFLECTOR COMP., MUFFLER .....	(1)	-	-----	QAQ4
19	90013-883-000	BOLT, FLANGE, 6X12(CT200) .....	1	1	-----	HA2,HEA2,HEA8,PAE2,PA2,QAE2,QAE6,QAG,QAG2,QAQ4,QAR2,QA2,QA26,RA2,SMX2,SWC4,VAG2,VA2,VDE2,VMA4,VME2,VME4,VM2,VWA2,VWN2,VW12
20	90050-ZE1-000	SCREW, TAPPING, 5X8 .....	4	-	-----	QHE4,QHQ4,QHR,QHR4,QH26,RHE4,RHQ4,RH26,SHQ4,VKQ4,WMA4,WMT8
			6	6	-----	HA2,HEA2,HEA8,PAE2,PA2,QAE2,QAE6,QAG,QAG2,QAQ4,QAR2,QA2,QA26,RA2,SMX2,SWC4,VAG2,VA2,VDE2,VMA4,VME2,VME4,VM2,VWA2,VWN2,VW12
22	90050-ZE1-000	SCREW, TAPPING, 5X8 .....	1	-	-----	QAE6,QAQ4,QA26,SWC4,VMA4,VME2,VME4,VM2
			(1)	-	-----	HEA8,PAE2,QHE4,QHQ4,QHR,QHR4,QH26,RHE4,RHQ4,RH26,SHQ4
			-	1	-----	VDE2,VWN2
	90055-ZE1-000	SCREW, TAPPING, 4X6 .....	1	(1)	-----	QAE2,QAG,QAR2,QA2,SMX2,VAG2,VA2,VDE2,VWA2,VWN2,VW12
			(1)	-	-----	HA2,HEA2,PA2,QAG2,RA2,RHG4,VKQ4,WMA4,WMT8
24	90055-ZE1-000	SCREW, TAPPING, 4X6 .....	3	3	-----	HA2,HEA2,HEA8,PAE2,PA2,QAE2,QAE6,QAG,QAQ4,QAR2,QA2,QA26,RA2,VA2,VDE2,VWA2,VWN2
25	90055-ZE1-000	SCREW, TAPPING, 4X6 .....	(2)	-	-----	QAQ4
29	94050-08000	NUT, FLANGE, 8MM .....	5	5	-----	HA2,HEA2,HEA8,PAE2,PA2,QAE2,QAE6,QAG,QAG2,QAQ4,QAR2,QA2,QA26,QHE4,QHQ4,QHR,QHR4,QH26,RA2,RHE4,RHQ4,RH26,SHQ4,SMX2,SWC4,VAG2,VA2,VDE2,VKQ4,VMA4,VME2,VME4,VM2,VWA2,VWN2,VW12,WMA4,WMT8
32	18333-ZF6-W01	GASKET, EX. PIPE .....	1	-	-----	SWC4,VAG2

E-16-1

MUFFLER(2)

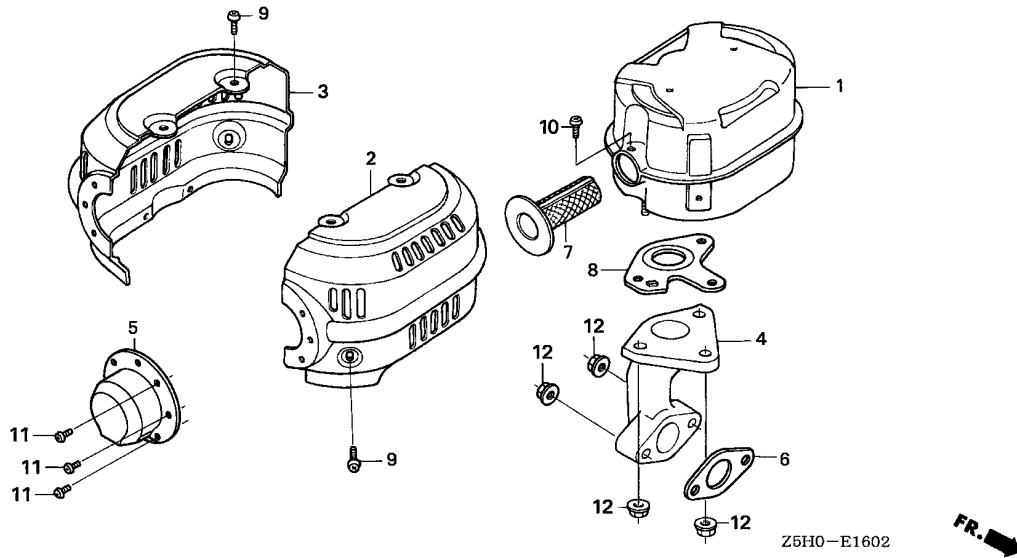


Ref. No.	L.O.N.	(Relative ref. Number) Description	F.R.T.
2	3131C5	MUFFLER, EXHAUST .....	0.2
3	3131D6	PROTECTOR, EXHAUST MUFFLER ...	0.2
5	3131C9	PIPE, EXHAUST .....	0.2
7		(31)	
	3131B5	GASKET, EXHAUST PIPE .....	0.2
8	3131A1	ARRESTER, SPARK .....	0.2
10		(9)	
	3131B4	GASKET, EXHAUST MUFFLER .....	0.2

Ref. No.	Part No.	Description	Reqd. QTY		Serial No.	Parts catalogue code
			GX 270 U	GX 270 R		
2	18310-ZE2-W61	MUFFLER COMP. (100DB) .....	1	1	-----	HXQ4, HX26, HX8, LXE8, LXQ4, LXU, PXE8, PXU, PX26, QE, QKE3, QKE4, QME2, QSC9, QSE2, QSE8, QWA4, QWH2, QXB, QXB6, QXB7, QXC4, QXC6, QXC9, QXE4, QXE6, QXE8, QXQ4, QXU, RSC2, RXQ4, RXU, SE, SMC4, SME1, SME6, SWA4, SXB, SXB7, SXEB, SXE4, SXE8, SXQ4, SXU, VKB2, VNG1, VNT2, VN17, VSD, VSD7, VSH7, VXB, VXB7, VXEB, VXE4, VXE6, VXE7, VXQ4, VXU1, VX2
	18310-ZK6-880	MUFFLER COMP. ....	1	-	1051323	SAX4
			1	-	-----	QXB9, SXB9, VN19, VSD9, VSH9, VXB9, VXE9
			1	-	1051324	SAX4
3	18320-ZE2-W61	PROTECTOR COMP., MUFFLER ....	1	1	-----	HXQ4, HX26, HX8, LXE8, LXQ4, LXU, PXE8, PXU, PX26, QE, QME2, QSC9, QSE2, QSE8, QWA4, QWH2, QXB, QXB6, QXC4, QXC6, QXC9, QXE4, QXE6, QXE8, QXQ4, QXU, RSC2, RXQ4, RXU, SE, SMC4, SME1, SME6, SWA4, SXB, SXEB, SXE4, SXE8, SXQ4, SXU, VKB2, VNG1, VNT2, VSD, VXB, VXEB, VXE4, VXE6, VXQ4, VXU1, VX2
	18320-ZF6-W01	PROTECTOR COMP., MUFFLER (100DB)	1	-	1051323	SAX4
			1	-	-----	QXB7, QXB9, SXB7, SXB9, VN17, VN19, VSD7, VSD9, VSH7, VSH9, VXB7, VXB9, VXE7, VXE9
			1	-	1051324	SAX4
4	18323-ZE2-W60	PROTECTOR, EX. PIPE (100DB) -	1	1	-----	RSC2, SWA4, VKB2, VNT2
5	18330-ZH9-N00	PIPE, EX. ....	1	1	-----	HXQ4, HX26, HX8, LXE8, LXQ4, LXU, PXE8, PXU, PX26, QE, QME2, QSC9, QSE2, QSE8, QWA4, QWH2, QXB, QXB6, QXB7, QXB9, QXC4, QXC6, QXC9, QXE4, QXE6, QXE8, QXQ4, QXU, RSC2, RXQ4, RXU, SAX4, SE, SMC4, SME1, SME6, SWA4, SXB, SXB7, SXB9, SXEB, SXE4, SXE8, SXQ4, SXU, VKB2, VNG1, VNT2, VN17, VN19, VSD, VSD7, VSD9, VSH7, VSH9, VXB, VXB7, VXB9, VXEB, VXE4, VXE6, VXE7, VXE9, VXQ4, VXU1, VX2
6	18331-ZE2-810	CAP, MUFFLER .....	1	1	-----	QE, QWH2, SE, VKB2
7	18333-ZK6-Y00	GASKET, EX. PIPE .....	1	-	-----	QKE3, QKE4
			(1)	-	-----	VNT2

Ref. No.	Part No.	Description	Reqd. QTY		Serial No.	Parts catalogue code	
			GX 270 U	GX 270 R			
8	18355-ZE2-W00	ARRESTER, SPARK .....	1	1	-----	QE, QXB, QXB7, QXB9, SE, SMC4, SXB, SXB7, SXB9, SXEB, VKB2, VNG1, VNT2, VN17, VN19, VSD, VSD7, VSD9, VSH7, VSH9, VXB, VXB7, VXB9, VXEB, VXE7, VXE9	
			(1)	(1)	-----	HXQ4, HX26, HX8, LXE8, LXQ4, LXU, PXE8, PXU, PX26, QKE3, QKE4, QME2, QSC9, QSE2, QSE8, QWA4, QWH2, QXB6, QXC4, QXC6, QXC9, QXE4, QXE6, QXE8, QXQ4, QXU, RSC2, RXQ4, RXU, SME1, SME6, SWA4, SXE4, SXE8, SXQ4, SXU, VXE4, VXE6, VXQ4, VXU1, VX2	
	18355-ZE2-010	.....	(1)	(1)	-----	1051323 SAX4	
			(1)	(1)	-----	HXQ4, HX26, HX8, LXE8, LXQ4, LXU, PXE8, PXU, PX26, QE, QKE3, QKE4, QME2, QSC9, QSE2, QSE8, QWA4, QWH2, QXB, QXB6, QXB7, QXC4, QXC6, QXC9, QXE4, QXE6, QXE8, QXQ4, QXU, RSC2, RXQ4, RXU, SAX4, SE, SMC4, SME1, SME6, SWA4, SXB, SXB7, SXEB, SXE4, SXE8, SXQ4, SXU, VKB2, VNG1, VNT2, VN17, VSD, VSD7, VSH7, VXB, VXB7, VXEB, VXE4, VXE6, VXE7, VXQ4, VXU1, VX2	
	18355-ZE2-W00	.....	1	-	1051324	-----	SAX4
9	18381-ZE2-W10	GASKET, MUFFLER (ARRESTER) ..	1	1	-----	QE, QXB, QXB7, QXB9, RSC2, SE, SMC4, SWA4, SXB, SXB7, SXB9, SXEB, VKB2, VNG1, VNT2, VN17, VN19, VSD, VSD7, VSD9, VSH7, VSH9, VXB, VXB7, VXB9, VXEB, VXE7, VXE9	
			(1)	-	-----	HXQ4, HX26, HX8, LXE8, LXQ4, LXU, PXE8, PXU, PX26, QKE3, QKE4, QME2, QSC9, QSE2, QSE8, QWA4, QWH2, QXB6, QXC4, QXC6, QXC9, QXE4, QXE6, QXE8, QXQ4, QXU, RXQ4, RXU, SME1, SME6, SXE4, SXE8, SXQ4, SXU, VXE4, VXE6, VXQ4, VXU1, VX2	
			(1)	-	1051323	-----	SAX4
			1	-	1051324	-----	SAX4
10	18381-ZE2-800	GASKET, MUFFLER .....	1	-	-----	HXQ4, HX26, HX8, LXE8, LXQ4, LXU, PXE8, PXU, PX26, QKE3, QKE4, QME2, QSC9, QSE2, QSE8, QWA4, QWH2, QXB6, QXC4, QXC6, QXC9, QXE4, QXE6, QXE8, QXQ4, QXU, RXQ4, RXU, SME1, SME6, SXE4, SXE8, SXQ4, SXU, VXE4, VXE6, VXQ4, VXU1, VX2	
			1	-	1051323	-----	SAX4
11	18430-ZF6-W50	DEFLECTOR COMP., MUFFLER ....	(1)	-	-----	QE, SE	
18	90006-ZE2-000	SCREW, TAPPING, 6X10 .....	1	1	-----	HXQ4, HX26, HX8, LXE8, LXQ4, LXU, PXE8, PXU, PX26, QE, QME2, QSC9, QSE2, QSE8, QWA4, QWH2, QXB, QXB6, QXB7, QXB9, QXC4, QXC6, QXC9, QXE4, QXE6, QXE8, QXQ4, QXU, RSC2, RXQ4, RXU, SAX4, SE, SMC4, SME1, SME6, SWA4, SXB, SXB7, SXB9, SXEB, SXE4, SXE8, SXQ4, SXU, VKB2, VNG1, VNT2, VN17, VN19, VSD, VSD7, VSD9, VSH7, VSH9, VXB, VXB7, VXB9, VXEB, VXE4, VXE6, VXE7, VXE9, VXQ4, VXU1, VX2	
19	90013-883-000	BOLT, FLANGE, 6X12(CT200) ...	1	1	-----	RSC2, SWA4, VKB2, VNT2	
20	90050-ZE1-000	SCREW, TAPPING, 5X8 .....	4	4	-----	HXQ4, HX26, HX8, LXE8, LXQ4, LXU, PXE8, PXU, PX26, QE, QME2, QSC9, QSE2, QSE8, QWA4, QWH2, QXB, QXB6, QXB7, QXB9, QXC4, QXC6, QXC9, QXE4, QXE6, QXE8, QXQ4, QXU, RSC2, RXQ4, RXU, SAX4, SE, SMC4, SME1, SME6, SWA4, SXB, SXB7, SXB9, SXEB, SXE4, SXE8, SXQ4, SXU, VKB2, VNG1, VNT2, VN17, VN19, VSD, VSD7, VSD9, VSH7, VSH9, VXB, VXB7, VXB9, VXEB, VXE4, VXE6, VXE7, VXE9, VXQ4, VXU1, VX2	
22	90050-ZE1-000	SCREW, TAPPING, 5X8 .....	1	1	-----	QE, QXB, QXB7, QXB9, SAX4, SE, SMC4, SXB, SXB7, SXB9, SXEB, VKB2, VNG1, VNT2, VN17, VN19, VSD, VSD7, VSD9, VSH7, VSH9, VXB, VXB7, VXB9, VXEB, VXE4, VXE6, VXE7, VXE9	
	90055-ZE1-000	SCREW, TAPPING, 4X6 .....	(1)	(1)	-----	HXQ4, HX26, HX8, LXE8, LXQ4, LXU, PXE8, PXU, PX26, QE, QKE3, QKE4, QME2, QSC9, QSE2, QSE8, QWA4, QWH2, QXB, QXB6, QXB7, QXC4, QXC6, QXC9, QXE4, QXE6, QXE8, QXQ4, QXU, RSC2, RXQ4, RXU, SAX4, SE, SMC4, SME1, SME6, SWA4, SXB, SXB7, SXB9, SXEB, SXE4, SXE8, SXQ4, SXU, VKB2, VNG1, VNT2, VN17, VSD, VSD7, VSH7, VXB, VXB7, VXEB, VXE4, VXE6, VXE7, VXQ4, VXU1, VX2	
24	90055-ZE1-000	SCREW, TAPPING, 4X6 .....	3	3	-----	QE, QWH2, SE, VKB2	
28	94050-08000	NUT, FLANGE, 8MM .....	2	-	-----	QKE3, QKE4	
			5	5	-----	HXQ4, HX26, HX8, LXE8, LXQ4, LXU, PXE8, PXU, PX26, QE, QME2, QSC9, QSE2, QSE8, QWA4, QWH2, QXB, QXB6, QXB7, QXB9, QXC4, QXC6, QXC9, QXE4, QXE6, QXE8, QXQ4, QXU, RSC2, RXQ4, RXU, SAX4, SE, SMC4, SME1, SME6, SWA4, SXB, SXB7, SXB9, SXEB, SXE4, SXE8, SXQ4, SXU, VKB2, VNG1, VNT2, VN17, VN19, VSD, VSD7, VSD9, VSH7, VSH9, VXB, VXB7, VXB9, VXEB, VXE4, VXE6, VXE7, VXE9, VXQ4, VXU1, VX2	
31	18333-ZF6-W01	GASKET, EX. PIPE .....	1	1	-----	HXQ4, HX26, HX8, LXE8, LXQ4, LXU, PXE8, PXU, PX26, QE, QME2, QSC9, QSE2, QSE8, QWA4, QWH2, QXB, QXB6, QXB7, QXB9, QXC4, QXC6, QXC9, QXE4, QXE6, QXE8, QXQ4, QXU, RSC2, RXQ4, RXU, SAX4, SE, SMC4, SME1, SME6, SWA4, SXB, SXB7, SXB9, SXEB, SXE4, SXE8, SXQ4, SXU, VKB2, VNG1, VNT2, VN17, VN19, VSD, VSD7, VSD9, VSH7, VSH9, VXB, VXB7, VXB9, VXEB, VXE4, VXE6, VXE7, VXE9, VXQ4, VXU1, VX2	





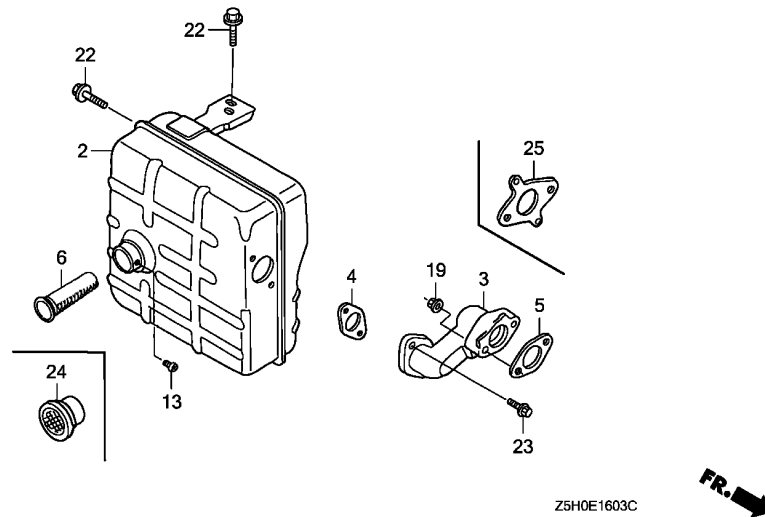
Ref. No.	L.O.N.	(Relative ref. Number) Description	F.R.T.
1	3131C5	MUFFLER, EXHAUST .....	0.2
2	3131H0	PROTECTOR, EXHAUST MUFFLER :FRONT .....	0.2
3	3131D3	PROTECTOR, EXHAUST MUFFLER :REAR .....	0.2
4	3131C9	PIPE, EXHAUST .....	0.2
6	3131B5	GASKET, EXHAUST PIPE .....	0.2
7	3131A1	ARRESTER, SPARK .....	0.2
8	3131B4	GASKET, EXHAUST MUFFLER .....	0.2

Ref. No.	Part No.	Description	Reqd. QTY		Serial No.	Parts catalogue code
			GX 270 U	GX 270 R		
1	18310-ZE2-013	MUFFLER COMP. ....	1	-	-----	QAW
2	18320-ZE2-P30	PROTECTOR, R. MUFFLER (STD.) .....	1	-	-----	QAW
3	18325-ZE2-P30	PROTECTOR, L. MUFFLER (STD.) .....	1	-	-----	QAW
4	18330-ZE2-000	PIPE, EX. ....	1	-	-----	QAW
5	18331-ZE2-810	CAP, MUFFLER .....	1	-	-----	QAW
6	18333-ZE3-800	GASKET, EX. PIPE .....	1	-	-----	QAW
7	18355-ZE2-W00	ARRESTER, SPARK .....	(1)	-	-----	QAW
	18355-ZE2-010	.....	1	-	-----	QAW
8	18381-ZE2-W10	GASKET, MUFFLER (ARRESTER) ..	1	-	-----	QAW
9	90050-ZE1-000	SCREW, TAPPING, 5X8 .....	6	-	-----	QAW
10	90050-ZE1-000	SCREW, TAPPING, 5X8 .....	1	-	-----	QAW
	90055-ZE1-000	SCREW, TAPPING, 4X6 .....	(1)	-	-----	QAW
11	90055-ZE1-000	SCREW, TAPPING, 4X6 .....	3	-	-----	QAW
12	94050-08000	NUT, FLANGE, 8MM .....	5	-	-----	QAW

E-16-3

MUFFLER(4)

G 9



Z5H0E1603C

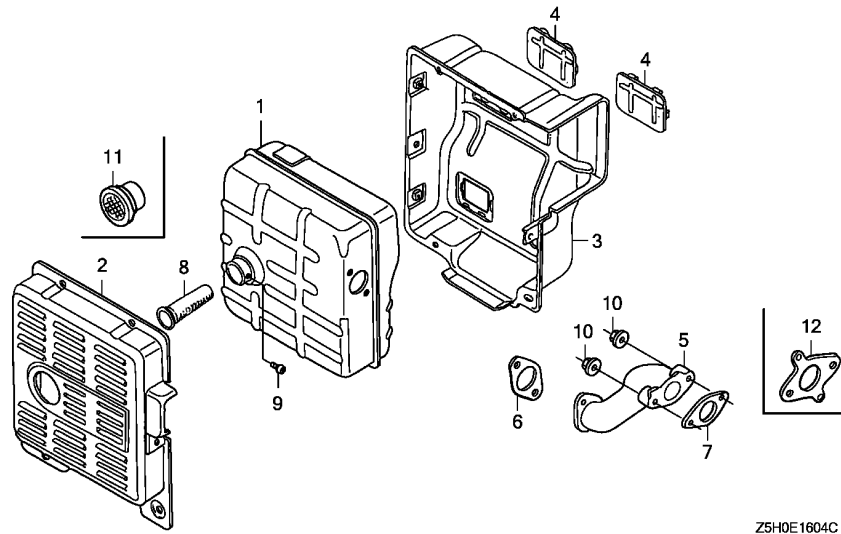


Ref. No.	L.O.N.	(Relative ref. Number) Description	F.R.T.
2	3131C5	MUFFLER, EXHAUST .....	0.2
3	3131C9	PIPE, EXHAUST .....	0.2
4	3131B5	GASKET, EXHAUST PIPE .....	0.2
5		(25)	
	3131B5	GASKET, EXHAUST PIPE .....	0.2
6	3131A1	ARRESTER, SPARK .....	0.2

Ref. No.	Part No.	Description	Reqd. QTY		Serial No.	Parts catalogue code
			GX 270 U	GX 270 R		
2	18310-ZH9-V01	MUFFLER COMP. (SDM0) .....	1	-	-----	VPE4,VPE7,VPX4,VPX7,VSD3,VS37,VS39
3	18330-ZE2-700	PIPE, EX. ....	1	-	-----	VPE4,VPE7,VPX4,VPX7,VSD3,VS37,VS39
4	18333-ZB4-800	GASKET, EX. PIPE .....	1	-	-----	VPE4,VPE7,VPX4,VPX7,VSD3,VS37,VS39
5	18333-ZE3-800	GASKET, EX. PIPE .....	1	-	-----	1120942 VPE4,VPE7,VPX4,VPX7,VSD3,VS37,VS39
6	18355-ZB4-630	ARRESTER, SPARK .....	1	-	-----	VPE4,VPE7,VPX4,VPX7,VSD3,VS37
			(1)	-	-----	VS39
13	90002-ZE2-U91	SCREW, TAPPING, 4X8 .....	1	-	-----	VPE4,VPE7,VPX4,VPX7,VSD3,VS37
			(1)	-	-----	VS39
	90056-ZL0-000	SCREW, TAPPING, 4X6 .....	1	-	-----	VS39
19	94050-08000	NUT, FLANGE, 8MM .....	2	-	-----	VPE4,VPE7,VPX4,VPX7,VSD3,VS37,VS39
22	95701-08016-08	BOLT, FLANGE, 8X16 .....	2	-	-----	VPE4,VPE7,VPX4,VPX7,VSD3,VS37,VS39
23	95701-08020-00	BOLT, FLANGE, 8X20 .....	2	-	-----	VSD3,VS37,VS39
	95701-08020-08	.....	2	-	-----	VPE4,VPE7,VPX4,VPX7
24	18361-ZL0-000	NETTING, WIRE FLANGE .....	1	-	-----	VS39
25	18333-ZF6-W01	GASKET, EX. PIPE .....	1	-	1120943	----- VPE4,VPE7,VPX4,VPX7,VSD3,VS37,VS39

2





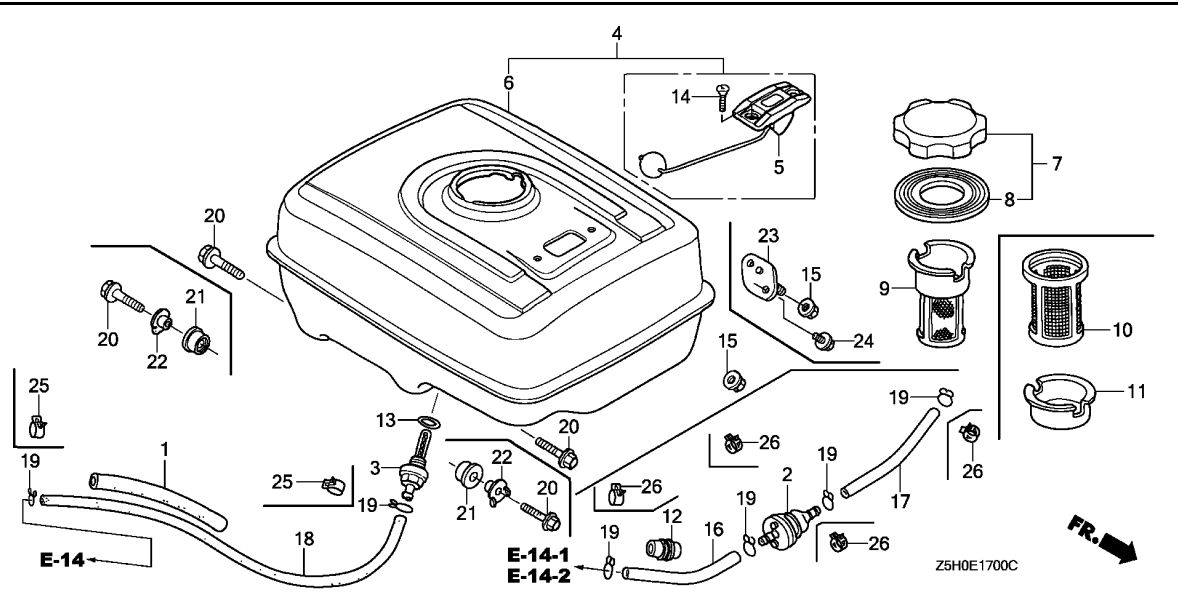
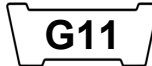
Z5H0E1604C

Ref. No.	L.O.N.	(Relative ref. Number) Description	F.R.T.
1	3131C5	MUFFLER, EXHAUST .....	0.2
2	3131D9	PROTECTOR, EXHAUST MUFFLER : OUTER .....	0.1
3	3131D8	PROTECTOR, EXHAUST MUFFLER : INNER .....	0.3
4	3131G6	SEAL, MUFFLER PROTECTOR .....	0.3
5	3131C9	PIPE, EXHAUST .....	0.2
6	3131B5	GASKET, EXHAUST PIPE .....	0.2
8	3131A1	ARRESTER, SPARK .....	0.2

Ref. No.	Part No.	Description	Reqd. QTY		Serial No.	Parts catalogue code
			GX 270 U	GX 270 R		
1	18310-ZE2-V60	MUFFLER COMP. (TSURUMI) .....	1	-	-----	VE39,VKE4,VKE9,VKX4,VKX9,VX39
2	18320-ZB4-000	PROTECTOR, MUFFLER OUTER .....	1	-	-----	VE39,VKE4,VKE9,VKX4,VKX9,VX39
3	18325-ZB4-000	PROTECTOR, MUFFLER INNER .....	1	-	-----	VE39,VKE4,VKE9,VKX4,VKX9,VX39
4	18329-ZB4-000	SEAL, MUFFLER PROTECTOR .....	2	-	-----	VE39,VKE4,VKE9,VKX4,VKX9,VX39
5	18330-ZE2-700	PIPE, EX. ....	1	-	-----	VE39,VKE4,VKE9,VKX4,VKX9,VX39
6	18333-ZB4-800	GASKET, EX. PIPE .....	1	-	-----	VE39,VKE4,VKE9,VKX4,VKX9,VX39
7	18333-ZE3-800	GASKET, EX. PIPE .....	1	-	1120942	VE39,VKE4,VKE9,VKX4,VKX9,VX39
8	18355-ZB4-630	ARRESTER, SPARK .....	1	-	-----	VKE4,VKX4
9	90002-ZE2-U91	SCREW, TAPPING, 4X8 .....	(1)	-	-----	VE39,VKE9,VKX9,VX39
			1	-	-----	VKE4,VKX4
10	94050-08000	NUT, FLANGE, 8MM .....	(1)	-	-----	VE39,VKE9,VKX9,VX39
			2	-	-----	VE39,VKE9,VKX9,VX39
11	18361-ZL0-000	NETTING, WIRE FLANGE .....	1	-	-----	VE39,VKE9,VKX9,VX39
12	18333-ZF6-W01	GASKET, EX. PIPE .....	1	-	1120943	VE39,VKE4,VKE9,VKX4,VKX9,VX39

E-17

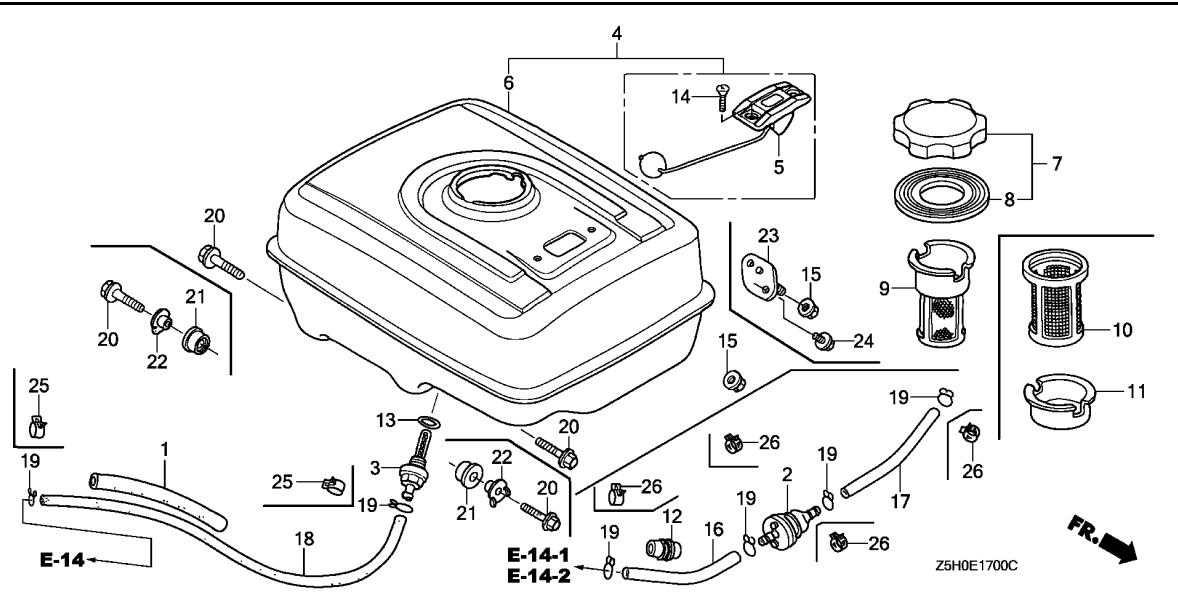
FUEL TANK



Ref. No.	L.O.N.	(Relative ref. Number) Description	F.R.T.
2	3101H8	STRAINER, FUEL .....	0.1
3	3101H6	JOINT, FUEL STRAINER .....	0.2
4	3101H7	TANK, FUEL .....	0.2
5	6171A1	METER/GAUGE UNIT, FUEL .....	0.1
9	3101A6	FILTER, FUEL .....	0.1
16	3101G0	TUBE, FUEL STRAINER .....	0.1
18	3101F1	TUBE, FUEL TANK .....	0.2

Ref. No.	Part No.	Description	Reqd. QTY		Serial No.	Parts catalogue code
			GX 270 U	GX 270 R		
1	16854-ZH8-000	RUBBER, SUPPORTER (107MM) ...	1	1	-----	HA2,HEA2,HEA8,HXQ4,HX26,HX8,LXE8,LXQ4,LXU,PAE2,PA2,PXE8,PXU,PX26,QAE2,QAE6,QAG,QAG2,QAQ4,QAR2,QAW,QA2,QA26,QE,QHE4,QHQ4,QHR,QHR4,QH26,QKE3,QKE4,QME2,QSC9,QSE2,QSE8,QWA4,QWH2,QXB,QXB6,QXB7,QXB9,QXC4,QXC6,QXC9,QXE4,QXE6,QXE8,QXQ4,QXU,RA2,RHE4,RHQ4,RH26,RXQ4,RXU,SAX4,SE,SHQ4,SMC4,SME1,SME6,SMX2,SWA4,SWC4, SXB, SXB7, SXB9, SXEB, SXE4, SXE8, SXQ4, SXU, VA2, VDE2, VKB2, VKQ4, VMA4, VME2, VME4, VMS2, VMX2, VM2, VNG1, VNT2, VN17, VN19, VSD, VSD3, VSD7, VSD9, VSH7, VSH9, VS37, VS39, VWN2, VW12, VXB, VXB7, VXB9, VXE4, VXE6, VXE7, VXE9, VXQ4, VXU1, VX2, WMA4, WMT8
2	16910-GB2-005	STRAINER COMP., FUEL .....	1	-	-----	VE39,VKE4,VKE9,VKX4,VKX9,VPE4,VPE5,VPE7,VPE9,VPX4,VPX5,VPX7,VPX9,VX39
3	16955-ZE1-000	JOINT, FUEL TANK .....	1	-	-----	HA2,HEA2,HEA8,HXQ4,HX26,HX8,LXE8,LXQ4,LXU,PAE2,PA2,PXE8,PXU,PX26,QAE2,QAE6,QAG,QAG2,QAQ4,QAR2,QAW,QA2,QA26,QE,QHE4,QHQ4,QHR,QHR4,QH26,QKE3,QKE4,QME2,QSC9,QSE2,QSE8,QWA4,QWH2,QXB,QXB6,QXB7,QXB9,QXC4,QXC6,QXC9,QXE4,QXE6,QXE8,QXQ4,QXU,RA2,RHE4,RHQ4,RH26,RXQ4,RXU,SAX4,SE,SHQ4,SMC4,SME1,SME6,SMX2,SWA4,SWC4, SXB, SXB7, SXB9, SXEB, SXE4, SXE8, SXQ4, SXU, VA2, VKQ4, VMA4, VME2, VME4, VM2, VSD, VSD7, VSD9, VXB, VXB7, VXB9, VXE4, VXE6, VXE7, VXE9, VXQ4, VXU1, VX2, WMA4, WMT8
4	17500-ZE2-812ZA	TANK ASSY., FUEL (GAUGE) *NH31*.....MCKINLEY WHITE	1	-	1078790	QKE3,QKE4,QSC9
	17500-ZE2-813ZA	*NH31*.....MCKINLEY WHITE	1	-	1078791	QKE3,QKE4,QSC9
	17500-ZE2-813ZC	*NH1*.....BLACK	1	-	-----	VKQ4
5	17505-ZE2-013	GAUGE ASSY., FUEL .....	1	-	-----	QKE3,QKE4,QSC9,VKQ4
6	17510-ZE2-020ZA	TANK COMP., FUEL *NH31*.....MCKINLEY WHITE	1	-	1014642	HA2,HEA2,HEA8,HXQ4,HX26,HX8,LXE8,LXQ4,LXU,PAE2,PA2,PXE8,PXU,PX26,QAE2,QAE6,QAG,QAG2,QAQ4,QAR2,QAW,QA2,QA26,QE,QHE4,QHQ4,QHR,QHR4,QH26,QME2,QSE2,QSE8,QWA4,QXB,QXB6,QXB7,QXC4,QXC6,QXC9,QXE4,QXE6,QXE8,QXQ4,QXU,RA2,RHE4,RHQ4,RH26,RXQ4,RXU,SE,SHQ4,SMC4,SME1,SME6,SWA4,SWC4, SXB, SXB7, SXEB, SXE4, SXE8, SXQ4, SXU, VA2, VME2, VM2, VSD, VSD7, VSD9, VXB, VXB7, VXE4, VXE6, VXE7, VXQ4, VXU1, VX2, WMA4

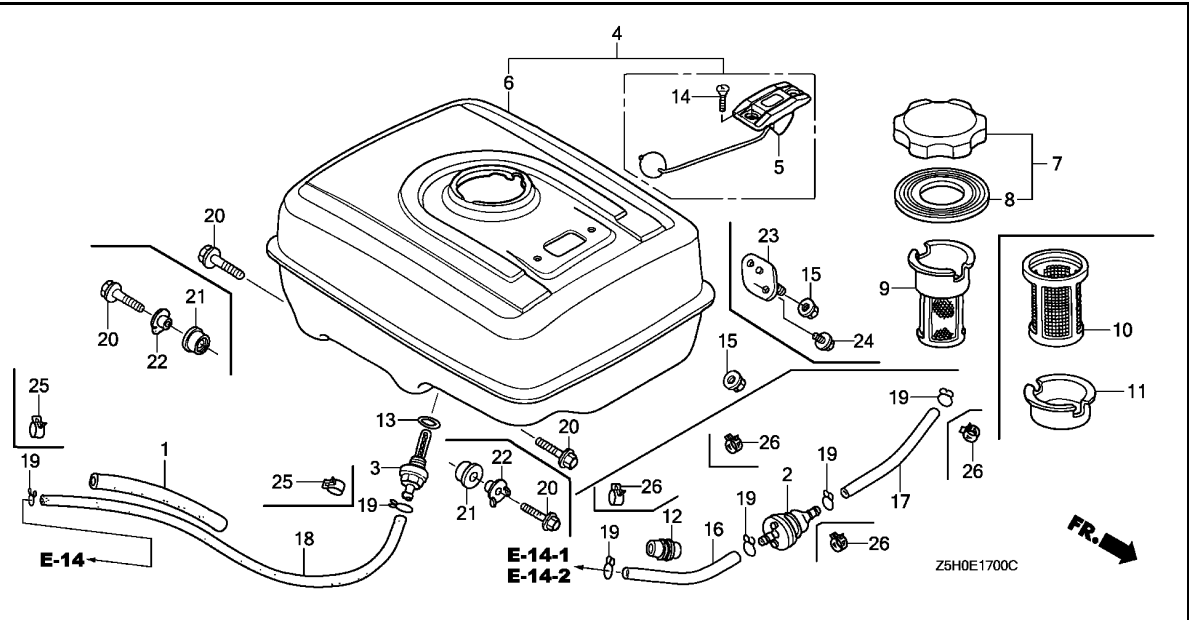




Ref. No.	Part No.	Description	Reqd. QTY		Serial No.	Parts catalogue code
			GX 270 U	GX 270 R		
(6)	17510-ZE2-020ZD	TANK COMP., FUEL				
	*NH1*	.....BLACK	1	-	1014642	HA2,PA2,PXU,QAE2,QAG2,QAQ4,QAR2,QA2,QWA4,QWH2,QXC9,RA2,SMX2,SWC4,VA2,VMA4,VME2,VME4,VM2,VXE4,VXE7,VX2
	17510-ZE2-020ZE	*NH105*...MAT BLACK (#15-#20)	1	-	1013900	VME2,VM2
	17510-ZE2-800ZA	*NH1*	1	-	1173563	VSD7
		.....BLACK	1	-	1014643	1173563 HA2,PA2,PXU,QAE2,QAG2,QAQ4,QAR2,QA2,QWA4,QWH2,QXC9,RA2,SMX2,SWC4,VA2,VMA4,VME2,VME4,VM2,VXE4,VXE7,VX2
	17510-ZE2-800ZB	*NH105*...MAT BLACK (#15-#20)	1	-	1013901	1173563 VME2,VM2
	17510-ZE2-800ZC	*NH31*.....MCKINLEY WHITE	1	-	1173563	QXB9,SAX4,SXB9,WMT8
		.....BLACK	1	-	1014643	1173563 HA2,HEA2,HEA8,HXQ4,HX26,HX8,LXE8,LXQ4,LXU,PAE2,PA2,PXE8,PXU,PX26,QAE2,QAQ6,QAG,QAG2,QAQ4,QAR2,QAW,QA2,QA26,QE,QHE4,QHQ4,QHR,QHR4,QH26,QME2,QSE2,QSE8,QWA4,QXB,QXB6,QXB7,QXC4,QXC6,QXC9,QXE4,QXE6,QXE8,QXQ4,QXU,RA2,RHE4,RHQ4,RH26,RXQ4,RXU,SE,SHQ4,SMC4,SME1,SME6,SWA4,SWC4,SXB,SXB7,SXB9,SXE4,SXE8,SXQ4,SXU,VA2,VME2,VM2,VSD,VSD7,VXB,VXB7,VXE4,VXE6,VXE7,VXQ4,VXU1,VX2,WMA4
	17510-ZK2-880ZA	*NH1*	1	-	1178850	VXE9
	17510-ZK2-880ZC	*NH31*.....MCKINLEY WHITE	1	-	1178850	VSD9,VXB9,VXE9
	17510-ZE2-801ZA	*NH1*	1	-	1173564	HA2,PA2,PXU,QAE2,QAG2,QAQ4,QAR2,QA2,QWA4,QWH2,QXC9,RA2,SMX2,SWC4,VA2,VMA4,VME2,VME4,VM2,VSD7,VXE4,VXE7,VX2
	17510-ZE2-801ZB	*NH105*...MAT BLACK (#15-#20)	1	-	1173564	VME2,VM2
	17510-ZE2-801ZC	*NH31*.....MCKINLEY WHITE	1	-	1173564	HA2,HEA2,HEA8,HXQ4,HX26,HX8,LXE8,LXQ4,LXU,PAE2,PA2,PXE8,PXU,PX26,QAE2,QAQ6,QAG,QAG2,QAQ4,QAR2,QAW,QA2,QA26,QE,QHE4,QHQ4,QHR,QHR4,QH26,QME2,QSE2,QSE8,QWA4,QXB,QXB6,QXB7,QXB9,QXC4,QXC6,QXC9,QXE4,QXE6,QXE8,QXQ4,QXU,RA2,RHE4,RHQ4,RH26,RXQ4,RXU,SAX4,SE,SHQ4,SMC4,SME1,SME6,SWA4,SWC4,SXB,SXB7,SXB9,SXE4,SXE8,SXQ4,SXU,VA2,VME2,VM2,VSD,VSD7,VXB,VXB7,VXE4,VXE6,VXE7,VXQ4,VXU1,VX2,WMA4,WMT8
	17510-ZK2-881ZA	*NH1*	1	-	1178851	VXE9
	17510-ZK2-881ZC	*NH31*.....MCKINLEY WHITE	1	-	1178851	VSD9,VXB9,VXE9

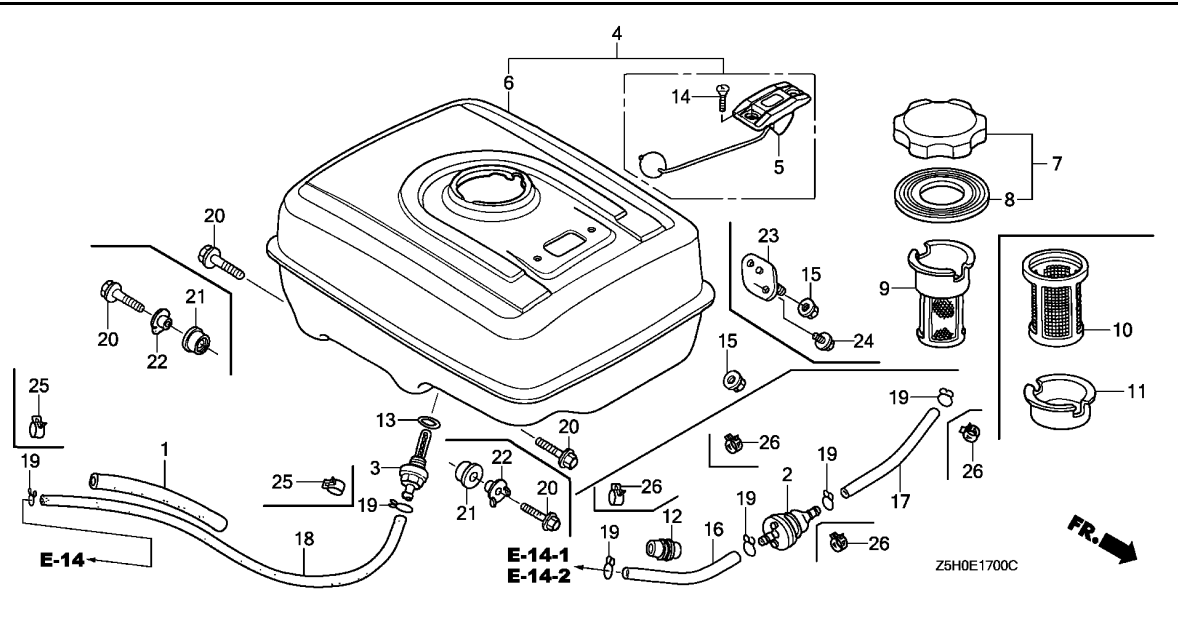
Ref. No.	Part No.	Description	Reqd. QTY		Serial No.	Parts catalogue code
			GX 270 U	GX 270 R		
7	17620-ZOT-305	CAP COMP., FUEL FILLER (CHROME PLATED)	1	-	-----	HA2,HEA2,HEA8,HXQ4,HX26,HX8,LXE8,LXQ4,LXU,PAE2,PA2,PXE8,PXU,PX26,QAE2,QAE6,QAG,QAG2,QAQ4,QAR2,QAW,QA2,QA26,QE,QHE4,QHQ4,QHR,QHR4,QH26,QKE3,QKE4,QME2,QSC9,QSE2,QSE8,QWA4,QWH2,QXB,QXB6,QXB7,QXB9,QXC4,QXC6,QXC9,QXE4,QXE6,QXE8,QXQ4,QXU,RA2,RHE4,RHQ4,RH26,RXQ4,RXU,SAX4,SE,SHQ4,SMC4,SME1,SME6,SMX2,SWA4,SWC4,SXB,SXB7,SXB9,SXEB,SXE4,SXE8,SXQ4,SXU,VA2,VKQ4,VMA4,VME2,VME4,VM2,VSD,VSD7,VSD9,VXB,VXB7,VXB9,VXEB,VXE4,VXE6,VXE7,VXE9,VXQ4,VXU1,VX2,WMA4,WMT8
8	17631-ZOT-812	PACKING, FUEL FILLER CAP (39X62X3)	1	-	-----	HA2,HEA2,HEA8,HXQ4,HX26,HX8,LXE8,LXQ4,LXU,PAE2,PA2,PXE8,PXU,PX26,QAE2,QAE6,QAG,QAG2,QAQ4,QAR2,QAW,QA2,QA26,QE,QHE4,QHQ4,QHR,QHR4,QH26,QKE3,QKE4,QME2,QSC9,QSE2,QSE8,QWA4,QWH2,QXB,QXB6,QXB7,QXB9,QXC4,QXC6,QXC9,QXE4,QXE6,QXE8,QXQ4,QXU,RA2,RHE4,RHQ4,RH26,RXQ4,RXU,SAX4,SE,SHQ4,SMC4,SME1,SME6,SMX2,SWA4,SWC4,SXB,SXB7,SXB9,SXEB,SXE4,SXE8,SXQ4,SXU,VA2,VKQ4,VMA4,VME2,VME4,VM2,VSD,VSD7,VSD9,VXB,VXB7,VXB9,VXEB,VXE4,VXE6,VXE7,VXE9,VXQ4,VXU1,VX2,WMA4,WMT8
9	17672-ZE2-W01	FILTER, FUEL .....	1	-	-----	HA2,HEA2,HEA8,PAE2,PA2,QAE2,QAE6,QAG,QAG2,QAQ4,QAR2,QAW,QA2,QA26,QE,QKE3,QKE4,QME2,RA2,SAX4,SE,SMC4,SMX2,VA2,VKQ4,VME2,VM2,WMA4,WMT8
10	17672-880-000	FILTER, FUEL .....	1	-	-----	QSC9
11	17673-893-000	HOLDER, FUEL FILTER .....	1	-	-----	QSC9
12	90854-ZB3-000	RUBBER, FUEL (9X15X20) .....	1	-	-----	VE39,VKE4,VKE9,VKX4,VKX9,VPE4,VPE5,VPE7,VPE9,VPX4,VPX5,VPX7,VPX9,VX39
13	91353-671-004	O-RING, 14MM(NOK) .....	1	-	-----	HA2,HEA2,HEA8,HXQ4,HX26,HX8,LXE8,LXQ4,LXU,PAE2,PA2,PXE8,PXU,PX26,QAE2,QAE6,QAG,QAG2,QAQ4,QAR2,QAW,QA2,QA26,QE,QHE4,QHQ4,QHR,QHR4,QH26,QKE3,QKE4,QME2,QSC9,QSE2,QSE8,QWA4,QWH2,QXB,QXB6,QXB7,QXB9,QXC4,QXC6,QXC9,QXE4,QXE6,QXE8,QXQ4,QXU,RA2,RHE4,RHQ4,RH26,RXQ4,RXU,SAX4,SE,SHQ4,SMC4,SME1,SME6,SMX2,SWA4,SWC4,SXB,SXB7,SXB9,SXEB,SXE4,SXE8,SXQ4,SXU,VA2,VKQ4,VMA4,VME2,VME4,VM2,VSD,VSD7,VSD9,VXB,VXB7,VXB9,VXEB,VXE4,VXE6,VXE7,VXE9,VXQ4,VXU1,VX2,WMA4,WMT8
14	93600-05010-0A	SCREW, FLAT, 5X10 .....	2	-	-----	QKE3,QKE4,QSC9,VKQ4
15	94050-08000	NUT, FLANGE, 8MM .....	2	-	-----	HA2,HEA2,HEA8,HXQ4,HX26,HX8,LXE8,LXQ4,LXU,PAE2,PA2,PXE8,PXU,PX26,QAE2,QAE6,QAG,QAG2,QAQ4,QAR2,QAW,QA2,QA26,QE,QHE4,QHQ4,QHR,QHR4,QH26,QKE3,QKE4,QME2,QSC9,QSE2,QSE8,QWA4,QWH2,QXB,QXB6,QXB7,QXB9,QXC4,QXC6,QXC9,QXE4,QXE6,QXE8,QXQ4,QXU,RA2,RHE4,RHQ4,RH26,RXQ4,RXU,SAX4,SE,SHQ4,SMC4,SME1,SME6,SMX2,SWA4,SWC4,SXB,SXB7,SXB9,SXEB,SXE4,SXE8,SXQ4,SXU,VA2,VKQ4,VMA4,VME2,VME4,VM2,VSD,VSD7,VSD9,VXB,VXB7,VXB9,VXEB,VXE4,VXE6,VXE7,VXE9,VXQ4,VXU1,VX2,WMA4,WMT8
16	95001-45120-40	TUBE, FUEL, 4.5X120 (95001-45001-60M)	1	-	-----	1043277 VE39,VKE4,VKE9,VKX4,VKX9,VPE4,VPE5,VPE7,VPE9,VPX4,VPX5,VPX7,VPX9,VX39
	91424-Z5J-801	TUBE, FUEL, 4.5X120(FKM) .....	1	-	1043278	----- VE39,VKE4,VKE9,VKX4,VKX9,VPE4,VPE5,VPE7,VPE9,VPX4,VPX5,VPX7,VPX9,VX39
17	95001-45150-40	TUBE, FUEL, 4.5X150 (95001-45001-60M)	1	-	-----	1043277 VE39,VKE4,VKE9,VKX4,VKX9,VPE4,VPE5,VPE7,VPE9,VPX4,VPX5,VPX7,VPX9,VX39
	91424-Z4J-801	TUBE, FUEL, 4.5X150(FKM) .....	1	-	1043278	----- VE39,VKE4,VKE9,VKX4,VKX9,VPE4,VPE5,VPE7,VPE9,VPX4,VPX5,VPX7,VPX9,VX39
18	95001-45222-40	TUBE, FUEL, 4.5X222 (95001-45001-60M)	1	-	-----	1042605 HA2,HEA2,HEA8,HXQ4,HX26,HX8,LXE8,LXQ4,LXU,PAE2,PA2,PXE8,PXU,PX26,QAE2,QAE6,QAG,QAG2,QAQ4,QAR2,QAW,QA2,QA26,QE,QHE4,QHQ4,QHR,QHR4,QH26,QKE3,QKE4,QME2,QSC9,QSE2,QSE8,QWA4,QWH2,QXB,QXB6,QXB7,QXB9,QXC4,QXC6,QXC9,QXE4,QXE6,QXE8,QXQ4,QXU,RA2,RHE4,RHQ4,RH26,RXQ4,RXU,SAX4,SE,SHQ4,SMC4,SME1,SME6,SMX2,SWA4,SWC4,SXB,SXB7,SXB9,SXEB,SXE4,SXE8,SXQ4,SXU,VAG2,VA2,VDE2,VKB2,VMA4,VME2,VME4,VMS2,VMX2,VM2,VNG1,VNT2,VN17,VN19,VSD,VSD7,VSD9,VSH7,VSH9,VWN2,VW12,VXB,VXB7,VXB9,VXEB,VXE4,VXE6,VXE7,VXE9,VXQ4,VXU1,VX2,WMA4
	95001-45430-40	TUBE, FUEL, 4.5X430 (95001-45001-60M)	1	-	-----	1048467 VSD3,VS37,VS39
	91424-Z4J-821	TUBE, FUEL, 4.5X430(FKM) .....	1	-	1048468	----- VSD3,VS37,VS39



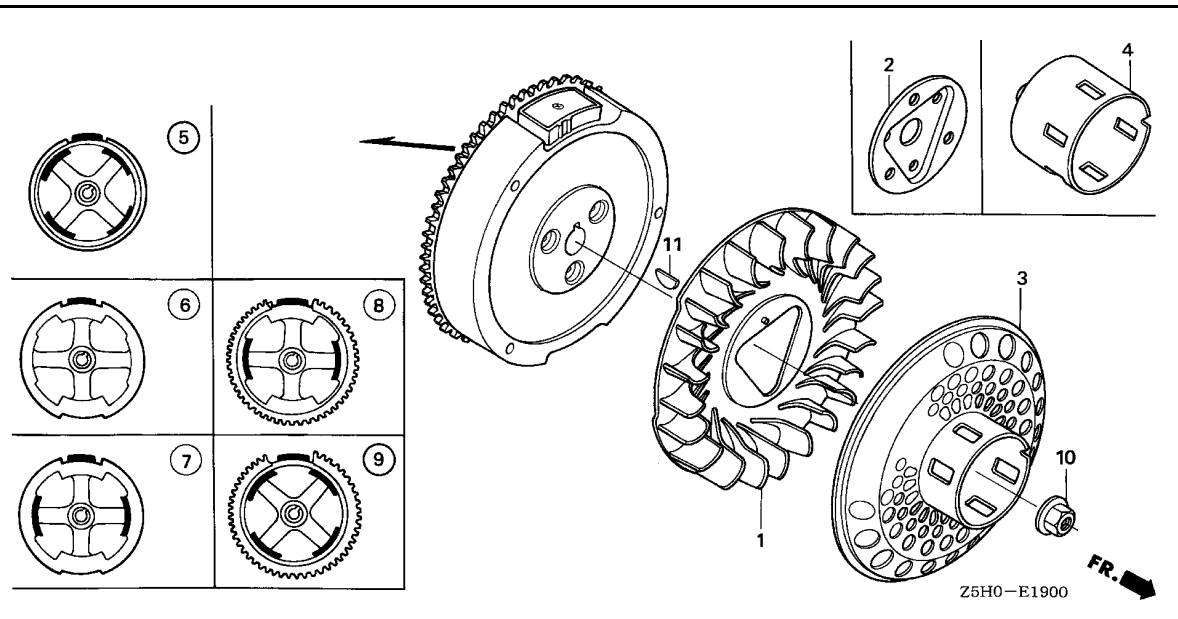


Ref. No.	Part No.	Description	Reqd. QTY		Serial No.	Parts catalogue code	
			GX 270 U	GX 270 R			
18)	91424-Z5F-801	TUBE, FUEL, 4.5X222(FKM) .....	1	-	-----	VKQ4,WMT8	
			1	-	1042606	-----	HA2,HEA2,HEA8,HXQ4,HX26,HX8,LXE8,LXQ4,LXU,PAE2,PA2,PXE8,PXU,PX26,QAE2,QAE6,QAG,QAG2,QAQ4,QR2,QAW,QA2,QA26,QE,QHE4,QHQ4,QHR,QHR4,QH26,QKE3,QKE4,QME2,QSC9,QSE2,QSE8,QWA4,QWH2,QXB,QXB6,QXB7,QXB9,QXC4,QXC6,QXC9,QXE4,QXE6,QXE8,QXQ4,QXU,RA2,RHE4,RHQ4,RH26,RXQ4,RXU,SAX4,SE,SHQ4,SMC4,SME1,SME6,SMX2,SWA4,SWC4,SXB,SXB7,SXB9,SXEB,SXE4,SXE8,SXQ4,SXU,VAG2,VA2,VDE2,VKB2,VMA4,VME2,VME4,VMS2,VMX2,VM2,VNG1,VNT2,VN17,VN19,VSD,VSD7,VSD9,VSH7,VSH9,VWN2,VW12,VXB,VXB7,VXB9,VXEB,VXE4,VXE6,VXE7,VXE9,VXQ4,VXU1,VX2,WMA4
19	95002-02080	CLIP, TUBE (B8) .....	-	1	-----	VDE2,VKB2,VWN2	
			2	-	1042605	-----	HA2,HEA2,HEA8,HXQ4,HX26,HX8,LXE8,LXQ4,LXU,PAE2,PA2,PXE8,PXU,PX26,QAE2,QAE6,QAG,QAG2,QAQ4,QR2,QAW,QA2,QA26,QE,QHE4,QHQ4,QHR,QHR4,QH26,QKE3,QKE4,QME2,QSC9,QSE2,QSE8,QWA4,QWH2,QXB,QXB6,QXB7,QXB9,QXC4,QXC6,QXC9,QXE4,QXE6,QXE8,QXQ4,QXU,RA2,RHE4,RHQ4,RH26,RXQ4,RXU,SAX4,SE,SHQ4,SMC4,SME1,SME6,SMX2,SWA4,SWC4,SXB,SXB7,SXB9,SXEB,SXE4,SXE8,SXQ4,SXU,VAG2,VA2,VDE2,VKB2,VMA4,VME2,VME4,VMS2,VMX2,VM2,VNG1,VNT2,VN17,VN19,VSD,VSD7,VSD9,VSH7,VSH9,VWN2,VW12,VXB,VXB7,VXB9,VXEB,VXE4,VXE6,VXE7,VXE9,VXQ4,VXU1,VX2,WMA4
			2	-	1048467	-----	VSD3,VS37,VS39
20	95701-08025-00	BOLT, FLANGE, 8X25 .....	4	-	-----	VE39,VKE4,VKE9,VKX4,VKX9,VPE4,VPE5,VPE7,VPE9,VPX4,VPX5,VPX7,VPX9,VX39	
			2	-	-----	HA2,HEA2,HEA8,HXQ4,HX26,HX8,LXE8,LXQ4,LXU,PAE2,PA2,PXE8,PXU,PX26,QAE2,QAE6,QAG,QAG2,QAQ4,QR2,QAW,QA2,QA26,QE,QHE4,QHQ4,QHR,QHR4,QH26,QKE3,QKE4,QME2,QSC9,QSE2,QSE8,QWA4,QWH2,QXB,QXB6,QXB7,QXB9,QXC4,QXC6,QXC9,QXE4,QXE6,QXE8,QXQ4,QXU,RA2,RHE4,RHQ4,RH26,RXQ4,RXU,SAX4,SE,SHQ4,SMC4,SME1,SME6,SMX2,SWA4,SWC4,SXB,SXB7,SXB9,SXEB,SXE4,SXE8,SXQ4,SXU,VA2,VKQ4,VMA4,VME2,VME4,VM2,VSD,VSD7,VSD9,VXB,VXB7,VXB9,VXEB,VXE4,VXE6,VXE7,VXE9,VXQ4,VXU1,VX2,WMA4,WMT8	
21	17532-ZK6-880	RUBBER A, TANK MOUNTING .....	2	-	-----	VSD9,VXB9,VXE9	

2

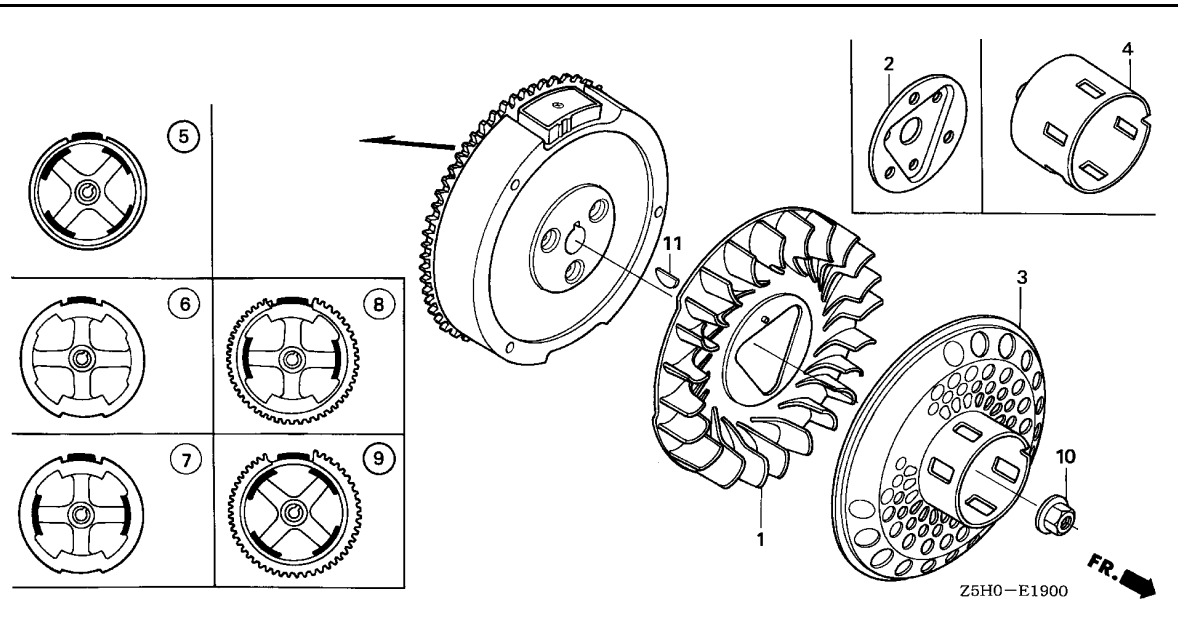


Ref. No.	Part No.	Description	Reqd. QTY		Serial No.	Parts catalogue code	
			GX 270 U	GX 270 R			
22	17534-ZK6-880	NUT, TANK MOUNTING .....	2	-	-----	VSD9,VXB9,VXE9	
23	17536-ZK6-880	RUBBER COMP., TANK MOUNTING ..	2	-	-----	VSD9,VXB9,VXE9	
24	90008-ZE2-003	BOLT, FLANGE, 6X10 .....	4	-	-----	VSD9,VXB9,VXE9	
25	95002-40800-08	CLAMP, TUBE (D8) .....	2	-	-----	VKQ4,WMT8	
			2	-	1042606	-----	HA2,HEA2,HEA8,HXQ4,HX26,HX8,LXE8,LXQ4,LXU,PAE2,PA2,PXE8,PXU,PX26,QAE2 QAE6,QAG,QAG2,QAQ4,QR2,QAW,QA2,QA26,QE,QHE4,QHQ4,QHR,QHR4,QH26,QKE3 QKE4,QME2,QSC9,QSE2,QSE8,QWA4,QWH2,QXB,QXB6,QXB7,QXB9,QXC4,QXC6,QXC9 QXE4,QXE6,QXE8,QXQ4,QXU,RA2,RHE4,RHQ4,RH26,RXQ4,RXU,SAX4,SE,SHQ4,SMC4 SME1,SME6,SMX2,SWA4,SWC4,SXB,SXB7,SXB9,SXEB,SXE4,SXE8,SXQ4,SXU,VAG2 VA2,VDE2,VKB2,VMA4,VME2,VME4,VMS2,VMX2,VM2,VNG1,VNT2,VN17,VN19,VSD VSD7,VSD9,VSH7,VSH9,VWN2,VW12,VXB,VXB7,VXB9,VXEB,VXE4,VXE6,VXE7,VXE9 VXQ4,VXU1,VX2,WMA4
			2	-	1048468	-----	VSD3,VS37,VS39
			-	2	-----	VDE2,VKB2,VWN2	
26	95002-40800-08	CLAMP, TUBE (D8) .....	4	-	1043278	-----	VE39,VKE4,VKE9,VKX4,VKX9,VPE4,VPE5,VPE7,VPE9,VPX4,VPX5,VPX7,VPX9,VX39



Ref. No.	L.O.N.	(Relative ref. Number) Description	F.R.T.
1	1141G7	FAN, ENGINE COOLING .....	0.2
3	1121A9	PULLEY, RECOIL STARTER .....	0.2
5		(6,7,8,9)	
	2161B5	FLYWHEEL .....	0.3

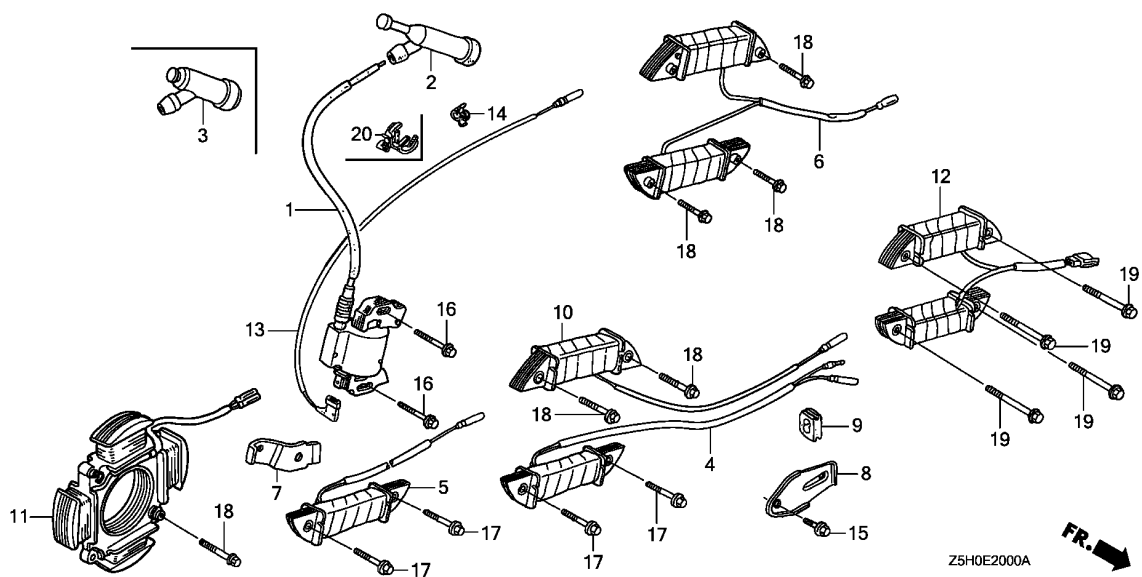
Ref. No.	Part No.	Description	Reqd. QTY		Serial No.	Parts catalogue code
			GX 270 U	GX 270 R		
1	19511-ZE2-000	FAN, COOLING .....	1	1		
2	19512-ZE2-000	PLATE, COOLING FAN SETTING ..	1	-	-----	QKE3,QKE4
3	28450-ZE2-W11	PULLEY COMP., STARTER (SCREEN GRID)	1	-	-----	HA2,HEA2,HEA8,HXQ4,HX26,HX8,LXE8,LXQ4,LXU,PAE2,PA2,PXE8,PXU,PX26,QAE2,QAE6,QAG,QAQ4,QAR2,QAW,QA2,QA26,QE,QHE4,QHQ4,QHR,QHR4,QH26,QME2,QSC9,QSE2,QSE8,QWH2,QXB,QXB6,QXB7,QXB9,QXC4,QXC6,QXC9,QXE4,QXE6,QXE8,QXQ4,QXU,RA2,RHE4,RHG4,RHQ4,RH26,RSC2,RXQ4,RXU,SAX4,SE,SHQ4,SME1,SME6,SWA4,SWC4,SXB,SXB7,SXB9,SXEB,SXE4,SXE8,SXQ4,SXU,VA2,VDE2,VE39,VKB2,VKE4,VKE9,VKQ4,VKX4,VKX9,VME2,VMS2,VMX2,VM2,VNG1,VN17,VN19,VPE4,VPE5,VPE7,VPE9,VPX4,VPX5,VPX7,VPX9,VSD,VSD3,VSD7,VSD9,VSH7,VSH9,VS37,VS39,VWA2,VWN2,VMT4,VXB,VXB7,VXB9,VXEB,VXE4,VXE6,VXE7,VXE9,VXQ4,VXU1,VX2,VX39
4	28451-ZE2-W01	PULLEY, STARTER .....	1	-	-----	QAG2,QWA4,SMC4,SMX2,VAG2,VMA4,VME4,VNT2,VW12,WMA4,WMT8
5	31100-ZE2-W01	FLYWHEEL COMP. (18A) .....	1	-	-----	QAR2
6	31100-ZE2-010	FLYWHEEL COMP. ....	1	1	-----	HA2,HXQ4,HX26,HX8,LXQ4,LXU,PA2,PXU,PX26,QAG2,QAQ4,QAW,QA2,QA26,QE,QHQ4,QH26,QWA4,QWH2,QXB,QXB7,QXB9,QXC4,QXC6,QXC9,QXQ4,QXU,RA2,RHG4,RHQ4,RH26,RXQ4,RXU,SAX4,SE,SHQ4,SMX2,SWA4,SWC4,SXB,SXB7,SXB9,SXQ4,SXU,VAG2,VA2,VKX4,VKX9,VMA4,VM2,VNG1,VNT2,VN17,VN19,VPX4,VPX5,VPX7,VPX9,VSD,VSD3,VSD7,VSD9,VSH7,VSH9,VS37,VS39,VWA2,VWN2,VW12,VXB,VXB7,VXB9,VXQ4,VXU1,VX2,VX39,WMT8
7	31100-ZE2-812	FLYWHEEL COMP. (LAMP) .....	1	1	-----	QHR,RSC2,SMC4,VKQ4,VMX2
8	31100-ZE2-822	FLYWHEEL COMP. (STARTER MOTOR)	1	-	-----	LXE8,PXE8,QHE4,QXE4,QXE6,QXE8,RHE4,SXEB,SXE4,SXE8,VE39,VME4,VMS2,VPE4,VPE5,VPE7,VPE9,VWT4,VXEB,VXE4,VXE6,VXE7,VXE9,WMA4
9	31100-ZE2-832	FLYWHEEL COMP. (4POLE) .....	1	1	-----	HEA2,HEA8,PAE2,QAE2,QAE6,QAG,QHR4,QKE3,QKE4,QME2,QSC9,QSE2,QSE8,QXB6,SME1,SME6,VDE2,VKB2,VKE4,VKE9,VME2



Ref. No.	Part No.	Description	Reqd. QTY		Serial No.	Parts catalogue code
			GX 270 U	GX 270 R		
10	90201-ZE3-V00	NUT, SPECIAL, 16MM	1	-	1146553	HA2, HEA2, HEA8, HXQ4, HX26, HX8, LXE8, LXQ4, LXU, PAE2, PA2, PXE8, PXU, PX26, QAE2, QAE6, QAG, QAG2, QAQ4, QAR2, QAW, QA2, QA26, QE, QHE4, QHQ4, QHR, QHR4, QH26, QKE3, QKE4, QME2, QSC9, QSE2, QSE8, QWA4, QWH2, QXB, QXB6, QXB7, QXB9, QXC4, QXC6, QXC9, QXE4, QXE6, QXE8, QXQ4, QXU, RA2, RHE4, RHQ4, RH26, RSC2, RXQ4, RXU, SAX4, SE, SHQ4, SMC4, SME1, SME6, SMX2, SWA4, SWC4, SXB, SXB7, SXB9, SXEB, SXE4, SXE8, SXQ4, SXU, VAG2, VA2, VDE2, VE39, VKB2, VKE4, VKE9, VKX4, VKX9, VMA4, VME2, VME4, VMS2, VMX2, VM2, VNG1, VNT2, VN17, VN19, VPE4, VPE5, VPE7, VPE9, VPX4, VPX5, VPX7, VPX9, VSD, VSD3, VSD7, VSD9, VSH7, VSH9, VS37, VS39, VWA2, VWN2, VWT4, VW12, VXB, VXB7, VXB9, VXE8, VXE4, VXE6, VXE7, VXE9, VXQ4, VXU1, VX2, VX39, WMA4, WMT8, RHG4, VKQ4
	90201-ZE3-790		1	-	1146554	HA2, HEA2, HEA8, HXQ4, HX26, HX8, LXE8, LXQ4, LXU, PAE2, PA2, PXE8, PXU, PX26, QAE2, QAE6, QAG, QAG2, QAQ4, QAR2, QAW, QA2, QA26, QE, QHE4, QHQ4, QHR, QHR4, QH26, QKE3, QKE4, QME2, QSC9, QSE2, QSE8, QWA4, QWH2, QXB, QXB6, QXB7, QXB9, QXC4, QXC6, QXC9, QXE4, QXE6, QXE8, QXQ4, QXU, RA2, RHE4, RHQ4, RH26, RSC2, RXQ4, RXU, SAX4, SE, SHQ4, SMC4, SME1, SME6, SMX2, SWA4, SWC4, SXB, SXB7, SXB9, SXEB, SXE4, SXE8, SXQ4, SXU, VAG2, VA2, VDE2, VE39, VKB2, VKE4, VKE9, VKX4, VKX9, VMA4, VME2, VME4, VMS2, VMX2, VM2, VNG1, VNT2, VN17, VN19, VPE4, VPE5, VPE7, VPE9, VPX4, VPX5, VPX7, VPX9, VSD, VSD3, VSD7, VSD9, VSH7, VSH9, VS37, VS39, VWA2, VWN2, VWT4, VW12, VXB, VXB7, VXB9, VXE8, VXE4, VXE6, VXE7, VXE9, VXQ4, VXU1, VX2, VX39, WMA4, WMT8
			-	1		
11	90741-ZE2-000	KEY, SPECIAL WOODRUFF, 25X18	1	1		





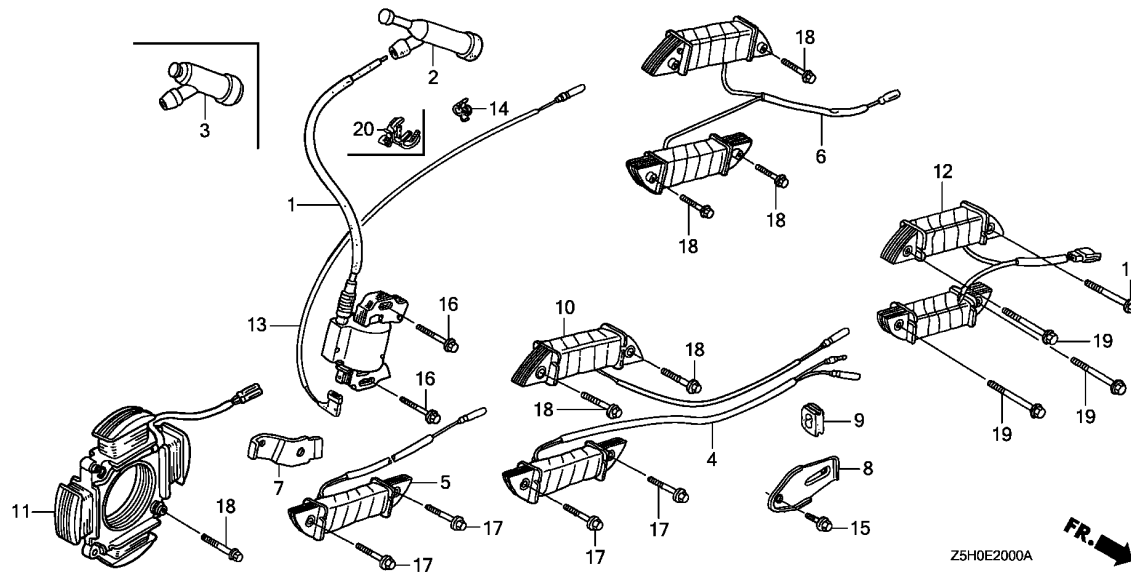


Ref. No.	L.O.N.	(Relative ref. Number) Description	F.R.T.
1	6141A5	COIL, IGNITION(ONE) (3)	0.3
2	6141B8	TERMINAL, HIGH TENSION (5,6)	0.1
4	6141A6	COIL, LAMP (11,12)	0.3
10	6131C3	COIL, CHARGE	0.3
13	6111B3	CORD, STOP SWITCH	0.3

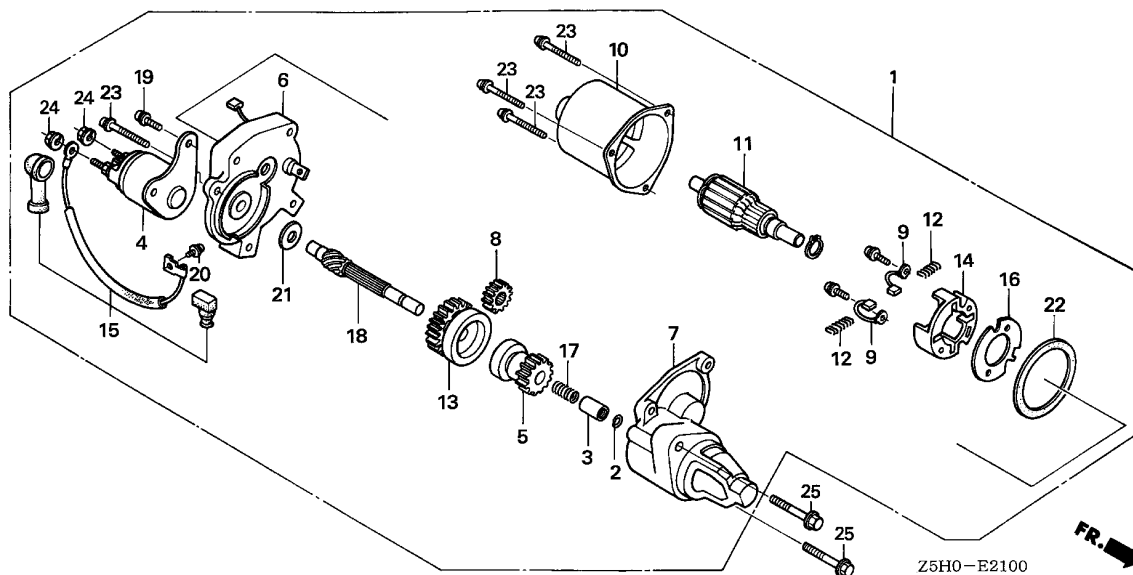
Ref. No.	Part No.	Description	Reqd. QTY		Serial No.	Parts catalogue code
			GX 270 U	GX 270 R		
1	30500-ZF6-W02	COIL ASSY., IGNITION	1	-	1177027	HA2,HEA2,HEA8,HXQ4,HX26,HX8,LXE8,LXQ4,LXU,PAE2,PA2,PXE8,PXU,PX26,QAE2,QAE6,QAG,QAG2,QAQ4,QAR2,QAW,QA2,QA26,QE,QHE4,QHQ4,QHR,QHR4,QH26,QKE3,QKE4,QME2,QSC9,QSE2,QSE8,QWA4,QWH2,QXB,QXB6,QXB7,QXB9,QXC4,QXC6,QXC9,QXE4,QXE6,QXE8,QXQ4,QXU,RA2,RHE4,RHQ4,RH26,RSC2,RXQ4,RXU,SAX4,SE,SHQ4,SMC4,SME1,SME6,SMX2,SWA4,SWC4, SXB, SXB7, SXB9, SXEB, SXE4, SXE8, SXQ4, SXU, VAG2, VA2, VDE2, VE39, VKB2, VKE4, VKE9, VKX4, VKX9, VMA4, VME2, VME4, VMS2, VMX2, VM2, VNG1, VNT2, VN17, VN19, VPE4, VPE5, VPE7, VPE9, VPX4, VPX5, VPX7, VPX9, VSD, VSD3, VSD7, VSD9, VSH7, VSH9, VS37, VS39, VWA2, VWN2, VWT4, VW12, VXB, VXB7, VXB9, VXEB, VXE4, VXE6, VXE7, VXE9, VXQ4, VXU1, VX2, VX39, WMA4, WMT8, RHG4, VKQ4
	30500-ZF6-W03		1	-	1177028	HA2,HEA2,HEA8,HXQ4,HX26,HX8,LXE8,LXQ4,LXU,PAE2,PA2,PXE8,PXU,PX26,QAE2,QAE6,QAG,QAG2,QAQ4,QAR2,QAW,QA2,QA26,QE,QHE4,QHQ4,QHR,QHR4,QH26,QKE3,QKE4,QME2,QSC9,QSE2,QSE8,QWA4,QWH2,QXB,QXB6,QXB7,QXB9,QXC4,QXC6,QXC9,QXE4,QXE6,QXE8,QXQ4,QXU,RA2,RHE4,RHQ4,RH26,RSC2,RXQ4,RXU,SAX4,SE,SHQ4,SMC4,SME1,SME6,SMX2,SWA4,SWC4, SXB, SXB7, SXB9, SXEB, SXE4, SXE8, SXQ4, SXU, VAG2, VA2, VDE2, VE39, VKB2, VKE4, VKE9, VKX4, VKX9, VMA4, VME2, VME4, VMS2, VMX2, VM2, VNG1, VNT2, VN17, VN19, VPE4, VPE5, VPE7, VPE9, VPX4, VPX5, VPX7, VPX9, VSD, VSD3, VSD7, VSD9, VSH7, VSH9, VS37, VS39, VWA2, VWN2, VWT4, VW12, VXB, VXB7, VXB9, VXEB, VXE4, VXE6, VXE7, VXE9, VXQ4, VXU1, VX2, VX39, WMA4, WMT8
			-	1		

Ref. No.	Part No.	Description	Reqd. QTY		Serial No.	Parts catalogue code
			GX 270 U	GX 270 R		
2	30700-ZE1-013	CAP ASSY., NOISE SUPPRESSOR (NICHIIWA Y-EZ RTFM256)	1	-	-----	HA2,HEA2,HEA8,HXQ4,HX26,HX8,LXE8,LXQ4,LXU,PAE2,PA2,PXE8,PXU,PX26,QAE2,QAE6,QAG,QAG2,QAQ4,QAR2,QAW,QA2,QA26,QE,QHE4,QHQ4,QHR,QHR4,QH26,QKE3,QKE4,QME2,QSC9,QSE2,QSE8,QWA4,QWH2,QXB,QXB6,QXB7,QXB9,QXC4,QXC6,QXC9,QXE4,QXE6,QXE8,QXQ4,QXU,RA2,RHE4,RHG4,RHQ4,RH26,RSC2,RXQ4,RXU,SAX4,SE,SHQ4,SMC4,SME1,SME6,SMX2,SWA4,SWC4,SWB,SWB7,SWB9,SXEB,SXE4,SXE8, SXQ4,SXU,VAG2,VA2,VDE2,VKB2,VKQ4,VMA4,VME2,VME4,VMS2,VMX2,VM2,VNG1,VNT2,VN17,VN19,VSD,VSD7,VSD9,VSH7,VSH9,VWA2,VWN2,VWT4,VW12,VXB,VXB7,VXB9,VXEB,VXE4,VXE6,VXE7,VXE9,VXQ4,VXU1,VX2,WMA4,WMT8
3	30700-ZF5-013	CAP ASSY., NOISE SUPPRESSOR	1	-	-----	VE39,VKE4,VKE9,VKX4,VKX9,VPE4,VPE5,VPE7,VPE9,VPX4,VPX5,VPX7,VPX9,VSD3,VS37,VS39,VX39
4	31510-ZE1-811	COIL ASSY., LAMP (12V/25W)	1	-	-----	VMX2
5	31510-ZE2-H91	COIL ASSY., LAMP (12V/25W)	1	-	-----	VKQ4,VMS2
6	31510-ZE2-811	COIL ASSY., LAMP (12V/50W)	1	1	-----	QHR,RSC2,SMC4
7	31511-ZE2-W00	CLAMPER, CORD	1	-	-----	QAR2
8	31511-ZE2-000	CLAMPER, CORD	1	1	-----	HEA2,HEA8,LXE8,PAE2,PXE8,QAE2,QAE6,QAG,QHE4,QHR,QHR4,QKE3,QKE4,QME2,QSC9,QSE2,QSE8,QXB6,QXE4,QXE6,QXE8,RHE4,RSC2,SMC4,SME1,SME6,SXEB,SXE4,SXE8,VDE2,VE39,VKB2,VKE4,VKE9,VKQ4,VME2,VME4,VMS2,VMX2,VPE4,VPE5,VPE7,VPE9,VXEB,VXE4,VXE6,VXE7,VXE9,WMA4
9	31512-ZE2-000	GROMMET, CORD	1	-	-----	HA2,HEA2,HEA8,HXQ4,HX26,HX8,LXE8,LXQ4,LXU,PAE2,PA2,PXE8,PXU,PX26,QAE2,QAE6,QAG,QAG2,QAQ4,QAR2,QAW,QA2,QA26,QE,QHE4,QHQ4,QHR,QHR4,QH26,QKE3,QKE4,QME2,QSC9,QSE2,QSE8,QWA4,QWH2,QXB,QXB6,QXB7,QXB9,QXC4,QXC6,QXC9,QXE4,QXE6,QXE8,QXQ4,QXU,RA2,RHE4,RHG4,RHQ4,RH26,RSC2,RXQ4,RXU,SAX4,SE,SHQ4,SME1,SME6,SMX2,SWA4,SWC4,SWB,SWB7,SWB9,SXEB,SXE4,SXE8, SXQ4,SXU,VAG2,VA2,VDE2,VE39,VKB2,VKE4,VKE9,VKQ4,VKX4,VKX9,VMA4,VME2,VME4,VMS2,VMX2,VM2,VNG1,VNT2,VN17,VN19,VPE4,VPE5,VPE7,VPE9,VPX4,VPX5,VPX7,VPX9,VSD,VSD3,VSD7,VSD9,VSH7,VSH9,VS37,VS39,VWA2,VWN2,VWT4,VW12,VXB,VXB7,VXB9,VXEB,VXE4,VXE6,VXE7,VXE9,VXQ4,VXU1,VX2,VX39,WMA4,WMT8
10	31630-ZE1-003	COIL ASSY., CHARGE (1A)	1	-	-----	1185318 LXE8,PXE8,QHE4,QXE4,QXE6,QXE8,RHE4,SXEB,SXE4,SXE8,VE39,VME4,VPE4,VPE5,VPE7,VPE9,VXEB,VXE4,VXE6,VXE7,VXE9,WMA4
	31630-ZE2-841	COIL ASSY., CHARGE (3A)	1	-	-----	1178201 HEA2,HEA8,PAE2,QAE2,QAE6,VDE2,VKB2,VKE4,VKE9,VME2,VMS2
	31630-ZE1-013	COIL ASSY., CHARGE (1A)	1	-	-----	1185319 LXE8,PXE8,QHE4,QXE4,QXE6,QXE8,RHE4,SXEB,SXE4,SXE8,VE39,VME4,VPE4,VPE5,VPE7,VPE9,VXEB,VXE4,VXE6,VXE7,VXE9,WMA4
	31630-ZE2-842	COIL ASSY., CHARGE (3A)	1	-	-----	1178202 HEA2,HEA8,PAE2,QAE2,QAE6,VDE2,VKB2,VKE4,VKE9,VME2,VMS2
			-	1	-----	VDE2,VKB2
11	31630-ZE2-W01	COIL ASSY., CHARGE (12V/18A)	1	-	-----	QAR2
12	31630-ZE2-861	COIL ASSY., CHARGE (10A)	1	-	-----	QAG,QHR4,QKE3,QKE4,QME2,QSC9,QSE2,QSE8,QXB6,SME1,SME6
13	36101-ZE1-010	CORD, STOP SWITCH (370MM)	1	1	-----	
14	36103-ZE1-000	HOLDER, STOP SWITCH CORD	1	-	-----	QE,QHQ4,QHR,QH26,RHG4,RHQ4,RH26,SAX4,SE,SHQ4,VKQ4
15	90013-883-000	BOLT, FLANGE, 6X12(CT200)	1	1	-----	HEA2,HEA8,LXE8,PAE2,PXE8,QAE2,QAE6,QAG,QAR2,QHE4,QHR,QHR4,QKE3,QKE4,QME2,QSC9,QSE2,QSE8,QXB6,QXE4,QXE6,QXE8,RHE4,RSC2,SMC4,SME1,SME6,SXEB,SXE4,SXE8,VDE2,VE39,VKB2,VKE4,VKE9,VKQ4,VME2,VME4,VMS2,VMX2,VPE4,VPE5,VPE7,VPE9,VXEB,VXE4,VXE6,VXE7,VXE9,WMA4
16	90015-883-000	BOLT, FLANGE, 6X28	2	2	-----	
17	90015-883-000	BOLT, FLANGE, 6X28	2	-	-----	VKQ4,VMS2,VMX2
18	90015-883-000	BOLT, FLANGE, 6X28	2	-	-----	LXE8,PXE8,QHE4,QXE4,QXE6,QXE8,RHE4,SXEB,SXE4,SXE8,VE39,VME4,VPE4,VPE5,VPE7,VPE9,VXEB,VXE4,VXE6,VXE7,VXE9,WMA4
			4	4	-----	QHR,RSC2,SMC4
	90017-883-000	BOLT, FLANGE, 6X32	2	2	-----	HEA2,HEA8,PAE2,QAE2,QAE6,VDE2,VKB2,VKE4,VKE9,VME2,VMS2
			4	-	-----	QAR2
19	90017-883-000	BOLT, FLANGE, 6X32	4	-	-----	QAG,QHR4,QKE3,QKE4,QME2,QSC9,QSE2,QSE8,QXB6,SME1,SME6





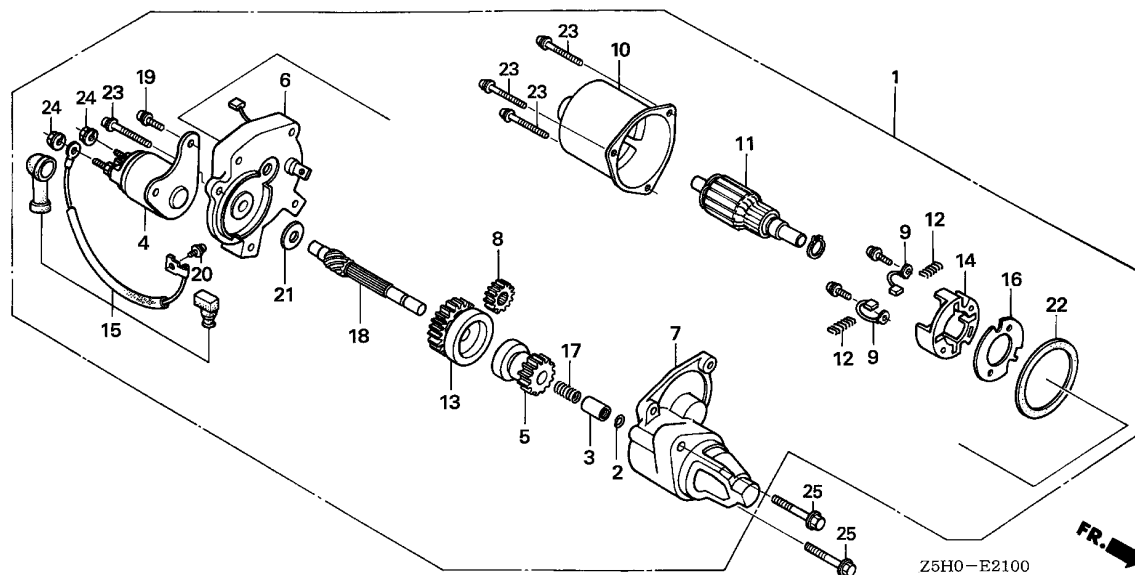
Ref. No.	Part No.	Description	Reqd. QTY		Serial No.	Parts catalogue code
			GX 270 U	GX 270 R		
20	90684-ZA0-601	CLIP, HARNESS .....	1	1	-----	HA2, HXQ4, HX26, HX8, LXQ4, LXU, PA2, PXU, PX26, QAG, QAG2, QAQ4, QAR2, QAW, QA2, QA26, QWA4, QWH2, QXB, QXB7, QXB9, QXC4, QXC6, QXC9, QXQ4, QXU, RA2, RSC2, RXQ4, RXU, SMC4, SME6, SMX2, SWA4, SWC4, SXB, SXB7, SXB9, SXQ4, SXU, VAG2, VA2, VKX4, VKX9, VMA4, VMX2, VM2, VNG1, VNT2, VN17, VN19, VPX4, VPX5, VPX7, VPX9, VSD, VSD3, VSD7, VSD9, VSH7, VSH9, VS37, VS39, VWA2, VWN2, VW12, VXB, VXB7, VXB9, VXQ4, VXU1, VX2, VX39, WMT8



Ref. No.	L.O.N.	(Relative ref. Number) Description	F.R.T.
1	6121D5	MOTOR, STARTER .....	0.2
4	6121E5	CONTACTOR, STARTER .....	0.2
5	6121B0	CLUTCH, OVERRUNNING .....	0.4
6	6121C3	BRACKET, STARTER :CENTER .....	0.4
7	6121D2	BRACKET, STARTER :FRONT .....	0.3
9	6121A9	BRUSH, STARTER .....	0.4
11	6121A0	ARMATURE, STARTER .....	0.4
13	6121B5	GEAR, STARTER REDUCTION .....	0.4

Ref. No.	Part No.	Description	Reqd. QTY		Serial No.	Parts catalogue code
			GX 270 U	GX 270 R		
1	31200-ZH9-003	MOTOR ASSY., STARTER .....	1	-	-----	LXE8,QHE4,QHR4,QKE3,QSE2,QSE8,QXE6,SXEB,SXE8,VE39,VKE4,VKE9,VME2,VPE9,VXEB
	31200-ZH9-013	.....	1	-	1182939	HEA2,HEA8,PAE2,PXE8,QAE2,QAE6,QKE4,QME2,QSC9,QXB6,QXE4,QXE8,RHE4,SME1,SXE4,VDE2,VKB2,VME4,VMS2,VPE4,VPE5,VPE7,VWT4,VXE4,VXE6,VXE7,VXE9,WMA4
		.....	-	1	-----	HEA2,HEA8,PAE2,PXE8,QAE2,QAE6,QHE4,QHR4,QKE3,QKE4,QME2,QSC9,QSE2,VDE2,VKB2
2	31201-ZA1-003	RING, SNAP .....	1	1	-----	HEA2,HEA8,LXE8,PAE2,PXE8,QAE2,QAE6,QHE4,QHR4,QKE3,QKE4,QME2,QSC9,QSE2,QSE8,QXB6,QXE4,QXE6,QXE8,RHE4,SME1,SXEB,SXE4,SXE8,VDE2,VE39,VKB2,VKE4,VKE9,VME2,VME4,VMS2,VPE4,VPE5,VPE7,VPE9,VWT4,VXEB,VXE4,VXE6,VXE7,VXE9,WMA4
3	31202-ZA1-003	COLLAR, CLUTCH STOP .....	1	1	-----	HEA2,HEA8,LXE8,PAE2,PXE8,QAE2,QAE6,QHE4,QHR4,QKE3,QKE4,QME2,QSC9,QSE2,QSE8,QXB6,QXE4,QXE6,QXE8,RHE4,SME1,SXEB,SXE4,SXE8,VDE2,VE39,VKB2,VKE4,VKE9,VME2,VME4,VMS2,VPE4,VPE5,VPE7,VPE9,VWT4,VXEB,VXE4,VXE6,VXE7,VXE9,WMA4
4	31204-ZA0-003	CONTACTOR ASSY. ....	1	1	-----	HEA2,HEA8,LXE8,PAE2,PXE8,QAE2,QAE6,QHE4,QHR4,QKE3,QKE4,QME2,QSC9,QSE2,QSE8,QXB6,QXE4,QXE6,QXE8,RHE4,SME1,SXEB,SXE4,SXE8,VDE2,VE39,VKB2,VKE4,VKE9,VME2,VME4,VMS2,VPE4,VPE5,VPE7,VPE9,VWT4,VXEB,VXE4,VXE6,VXE7,VXE9,WMA4
5	31207-ZH9-003	CLUTCH COMP., OVERRUNNING ...	1	1	-----	HEA2,HEA8,LXE8,PAE2,PXE8,QAE2,QAE6,QHE4,QHR4,QKE3,QKE4,QME2,QSC9,QSE2,QSE8,QXB6,QXE4,QXE6,QXE8,RHE4,SME1,SXEB,SXE4,SXE8,VDE2,VE39,VKB2,VKE4,VKE9,VME2,VME4,VMS2,VPE4,VPE5,VPE7,VPE9,VWT4,VXEB,VXE4,VXE6,VXE7,VXE9,WMA4
6	31211-ZE2-003	BRACKET, CENTER .....	1	1	-----	HEA2,HEA8,LXE8,PAE2,PXE8,QAE2,QAE6,QHE4,QHR4,QKE3,QKE4,QME2,QSC9,QSE2,QSE8,QXB6,QXE4,QXE6,QXE8,RHE4,SME1,SXEB,SXE4,SXE8,VDE2,VE39,VKB2,VKE4,VKE9,VME2,VME4,VMS2,VPE4,VPE5,VPE7,VPE9,VWT4,VXEB,VXE4,VXE6,VXE7,VXE9,WMA4

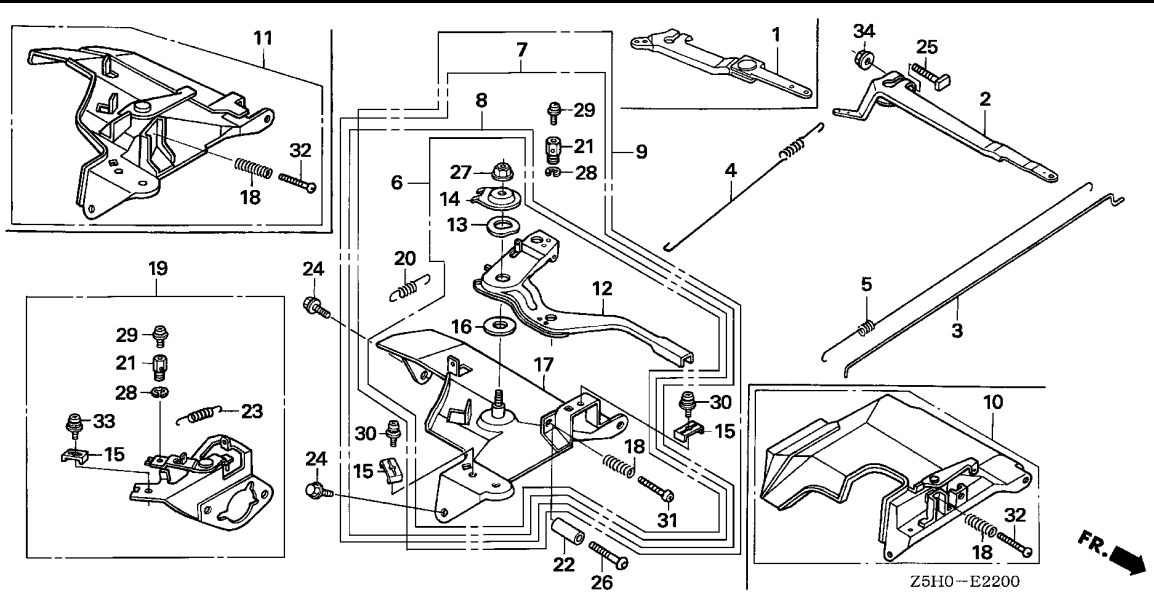




Ref. No.	Part No.	Description	Reqd. QTY		Serial No.	Parts catalogue code
			GX 270 U	GX 270 R		
7	31212-ZE2-003	BRACKET, FR. ....	1	1	-----	HEA2,HEA8,LXE8,PAE2,PXE8,QAE2,QAE6,QHE4,QHR4,QKE3,QKE4,QME2,QSC9,QSE2,QSE8,QXB6,QXE4,QXE6,QXE8,RHE4,SME1,SXEB,SXE4,SXE8,VDE2,VE39,VKB2,VKE4,VKE9,VME2,VME4,VMS2,VPE4,VPE5,VPE7,VPE9,VWT4,VXEB,VXE4,VXE6,VXE7,VXE9,WMA4
8	31213-ZE2-003	GEAR, DRIVE PINION .....	1	1	-----	HEA2,HEA8,LXE8,PAE2,PXE8,QAE2,QAE6,QHE4,QHR4,QKE3,QKE4,QME2,QSC9,QSE2,QSE8,QXB6,QXE4,QXE6,QXE8,RHE4,SME1,SXEB,SXE4,SXE8,VDE2,VE39,VKB2,VKE4,VKE9,VME2,VME4,VMS2,VPE4,VPE5,VPE7,VPE9,VWT4,VXEB,VXE4,VXE6,VXE7,VXE9,WMA4
9	31215-ZE2-003	BRUSH .....	2	2	-----	HEA2,HEA8,LXE8,PAE2,PXE8,QAE2,QAE6,QHE4,QHR4,QKE3,QKE4,QME2,QSC9,QSE2,QSE8,QXB6,QXE4,QXE6,QXE8,RHE4,SME1,SXEB,SXE4,SXE8,VDE2,VE39,VKB2,VKE4,VKE9,VME2,VME4,VMS2,VPE4,VPE5,VPE7,VPE9,VWT4,VXEB,VXE4,VXE6,VXE7,VXE9,WMA4
10	31216-ZE2-003	YOKE COMP. ....	1	1	-----	HEA2,HEA8,LXE8,PAE2,PXE8,QAE2,QAE6,QHE4,QHR4,QKE3,QKE4,QME2,QSC9,QSE2,QSE8,QXB6,QXE4,QXE6,QXE8,RHE4,SME1,SXEB,SXE4,SXE8,VDE2,VE39,VKB2,VKE4,VKE9,VME2,VME4,VMS2,VPE4,VPE5,VPE7,VPE9,VWT4,VXEB,VXE4,VXE6,VXE7,VXE9,WMA4
11	31217-ZE2-003	ARMATURE COMP. ....	1	1	-----	HEA2,HEA8,LXE8,PAE2,PXE8,QAE2,QAE6,QHE4,QHR4,QKE3,QKE4,QME2,QSC9,QSE2,QSE8,QXB6,QXE4,QXE6,QXE8,RHE4,SME1,SXEB,SXE4,SXE8,VDE2,VE39,VKB2,VKE4,VKE9,VME2,VME4,VMS2,VPE4,VPE5,VPE7,VPE9,VWT4,VXEB,VXE4,VXE6,VXE7,VXE9,WMA4
12	31219-ZE2-003	SPRING, BRUSH RETURN .....	4	4	-----	HEA2,HEA8,LXE8,PAE2,PXE8,QAE2,QAE6,QHE4,QHR4,QKE3,QKE4,QME2,QSC9,QSE2,QSE8,QXB6,QXE4,QXE6,QXE8,RHE4,SME1,SXEB,SXE4,SXE8,VDE2,VE39,VKB2,VKE4,VKE9,VME2,VME4,VMS2,VPE4,VPE5,VPE7,VPE9,VWT4,VXEB,VXE4,VXE6,VXE7,VXE9,WMA4
13	31222-ZE3-791	GEAR, REDUCTION .....	1	1	-----	HEA2,HEA8,LXE8,PAE2,PXE8,QAE2,QAE6,QHE4,QHR4,QKE3,QKE4,QME2,QSC9,QSE2,QSE8,QXB6,QXE4,QXE6,QXE8,RHE4,SME1,SXEB,SXE4,SXE8,VDE2,VE39,VKB2,VKE4,VKE9,VME2,VME4,VMS2,VPE4,VPE5,VPE7,VPE9,VWT4,VXEB,VXE4,VXE6,VXE7,VXE9,WMA4

Ref. No.	Part No.	Description	Reqd. QTY		Serial No.	Parts catalogue code
			GX 270 U	GX 270 R		
14	31231-ZE2-003	HOLDER, BRUSH .....	1	1	-----	HEA2,HEA8,LXE8,PAE2,PXE8,QAE2,QAE6,QHE4,QHR4,QKE3,QKE4,QME2,QSC9,QSE2,QSE8,QXB6,QXE4,QXE6,QXE8,RHE4,SME1,SXEB,SXE4,SXE8,VDE2,VE39,VKB2,VKE4,VKE9,VME2,VME4,VMS2,VPE4,VPE5,VPE7,VPE9,VWT4,VXEB,VXE4,VXE6,VXE7,VXE9,WMA4
15	31232-ZE3-003	WIRE, WATER COVER .....	1	1	-----	HEA2,HEA8,LXE8,PAE2,PXE8,QAE2,QAE6,QHE4,QHR4,QKE3,QKE4,QME2,QSC9,QSE2,QSE8,QXB6,QXE4,QXE6,QXE8,RHE4,SME1,SXEB,SXE4,SXE8,VDE2,VE39,VKB2,VKE4,VKE9,VME2,VME4,VMS2,VPE4,VPE5,VPE7,VPE9,VWT4,VXEB,VXE4,VXE6,VXE7,VXE9,WMA4
16	31233-ZE2-003	INSULATOR .....	1	1	-----	HEA2,HEA8,LXE8,PAE2,PXE8,QAE2,QAE6,QHE4,QHR4,QKE3,QKE4,QME2,QSC9,QSE2,QSE8,QXB6,QXE4,QXE6,QXE8,RHE4,SME1,SXEB,SXE4,SXE8,VDE2,VE39,VKB2,VKE4,VKE9,VME2,VME4,VMS2,VPE4,VPE5,VPE7,VPE9,VWT4,VXEB,VXE4,VXE6,VXE7,VXE9,WMA4
17	31244-ZH9-003	SPRING .....	1	1	-----	HEA2,HEA8,LXE8,PAE2,PXE8,QAE2,QAE6,QHE4,QHR4,QKE3,QKE4,QME2,QSC9,QSE2,QSE8,QXB6,QXE4,QXE6,QXE8,RHE4,SME1,SXEB,SXE4,SXE8,VDE2,VE39,VKB2,VKE4,VKE9,VME2,VME4,VMS2,VPE4,VPE5,VPE7,VPE9,VWT4,VXEB,VXE4,VXE6,VXE7,VXE9,WMA4
18	31245-ZH9-003	SHAFT .....	1	1	-----	HEA2,HEA8,LXE8,PAE2,PXE8,QAE2,QAE6,QHE4,QHR4,QKE3,QKE4,QME2,QSC9,QSE2,QSE8,QXB6,QXE4,QXE6,QXE8,RHE4,SME1,SXEB,SXE4,SXE8,VDE2,VE39,VKB2,VKE4,VKE9,VME2,VME4,VMS2,VPE4,VPE5,VPE7,VPE9,VWT4,VXEB,VXE4,VXE6,VXE7,VXE9,WMA4
19	90007-ZE2-003	BOLT-WASHER, 5X14 .....	2	2	-----	HEA2,HEA8,LXE8,PAE2,PXE8,QAE2,QAE6,QHE4,QHR4,QKE3,QKE4,QME2,QSC9,QSE2,QSE8,QXB6,QXE4,QXE6,QXE8,RHE4,SME1,SXEB,SXE4,SXE8,VDE2,VE39,VKB2,VKE4,VKE9,VME2,VME4,VMS2,VPE4,VPE5,VPE7,VPE9,VWT4,VXEB,VXE4,VXE6,VXE7,VXE9,WMA4
20	90110-ZE2-003	SCREW-WASHER, 4X6 .....	1	1	-----	HEA2,HEA8,LXE8,PAE2,PXE8,QAE2,QAE6,QHE4,QHR4,QKE3,QKE4,QME2,QSC9,QSE2,QSE8,QXB6,QXE4,QXE6,QXE8,RHE4,SME1,SXEB,SXE4,SXE8,VDE2,VE39,VKB2,VKE4,VKE9,VME2,VME4,VMS2,VPE4,VPE5,VPE7,VPE9,VWT4,VXEB,VXE4,VXE6,VXE7,VXE9,WMA4
21	90403-ZH9-003	WASHER, SK .....	1	1	-----	HEA2,HEA8,LXE8,PAE2,PXE8,QAE2,QAE6,QHE4,QHR4,QKE3,QKE4,QME2,QSC9,QSE2,QSE8,QXB6,QXE4,QXE6,QXE8,RHE4,SME1,SXEB,SXE4,SXE8,VDE2,VE39,VKB2,VKE4,VKE9,VME2,VME4,VMS2,VPE4,VPE5,VPE7,VPE9,VWT4,VXEB,VXE4,VXE6,VXE7,VXE9,WMA4
22	91601-ZE2-003	PACKING .....	1	1	-----	HEA2,HEA8,LXE8,PAE2,PXE8,QAE2,QAE6,QHE4,QHR4,QKE3,QKE4,QME2,QSC9,QSE2,QSE8,QXB6,QXE4,QXE6,QXE8,RHE4,SME1,SXEB,SXE4,SXE8,VDE2,VE39,VKB2,VKE4,VKE9,VME2,VME4,VMS2,VPE4,VPE5,VPE7,VPE9,VWT4,VXEB,VXE4,VXE6,VXE7,VXE9,WMA4
23	93892-05032-18	SCREW-WASHER, 5X32 .....	4	4	-----	HEA2,HEA8,LXE8,PAE2,PXE8,QAE2,QAE6,QHE4,QHR4,QKE3,QKE4,QME2,QSC9,QSE2,QSE8,QXB6,QXE4,QXE6,QXE8,RHE4,SME1,SXEB,SXE4,SXE8,VDE2,VE39,VKB2,VKE4,VKE9,VME2,VME4,VMS2,VPE4,VPE5,VPE7,VPE9,VWT4,VXEB,VXE4,VXE6,VXE7,VXE9,WMA4
24	94070-06080	NUT-WASHER, 6MM .....	2	2	-----	HEA2,HEA8,LXE8,PAE2,PXE8,QAE2,QAE6,QHE4,QHR4,QKE3,QKE4,QME2,QSC9,QSE2,QSE8,QXB6,QXE4,QXE6,QXE8,RHE4,SME1,SXEB,SXE4,SXE8,VDE2,VE39,VKB2,VKE4,VKE9,VME2,VME4,VMS2,VPE4,VPE5,VPE7,VPE9,VWT4,VXEB,VXE4,VXE6,VXE7,VXE9,WMA4
25	95701-08040-00	BOLT, FLANGE, 8X40 .....	2	2	-----	HEA2,HEA8,LXE8,PAE2,PXE8,QAE2,QAE6,QHE4,QHR4,QKE3,QKE4,QME2,QSC9,QSE2,QSE8,QXB6,QXE4,QXE6,QXE8,RHE4,SME1,SXEB,SXE4,SXE8,VDE2,VE39,VKB2,VKE4,VKE9,VME2,VME4,VMS2,VPE4,VPE5,VPE7,VPE9,VWT4,VXEB,VXE4,VXE6,VXE7,VXE9,WMA4





Ref. No.	L.O.N.	(Relative ref. Number) Description	F.R.T.
2		(1)	
2	1161A0	ARM, GOVERNOR .....	0.2
3	1161B1	ROD, GOVERNOR .....	0.3
4	1161C5	SPRING, GOVERNOR .....	0.2
5	1161C2	SPRING, THROTTLE RETURN .....	0.3
7		(6,9,11)	
	1161A5	CONTROL, THROTTLE/GOVERNOR ...	0.2
12	1161A8	LEVER, CONTROL .....	0.3
17	1161A2	BASE, CONTROL .....	0.3
19	3111G3	STAY, CHOKE CONTROL .....	0.2

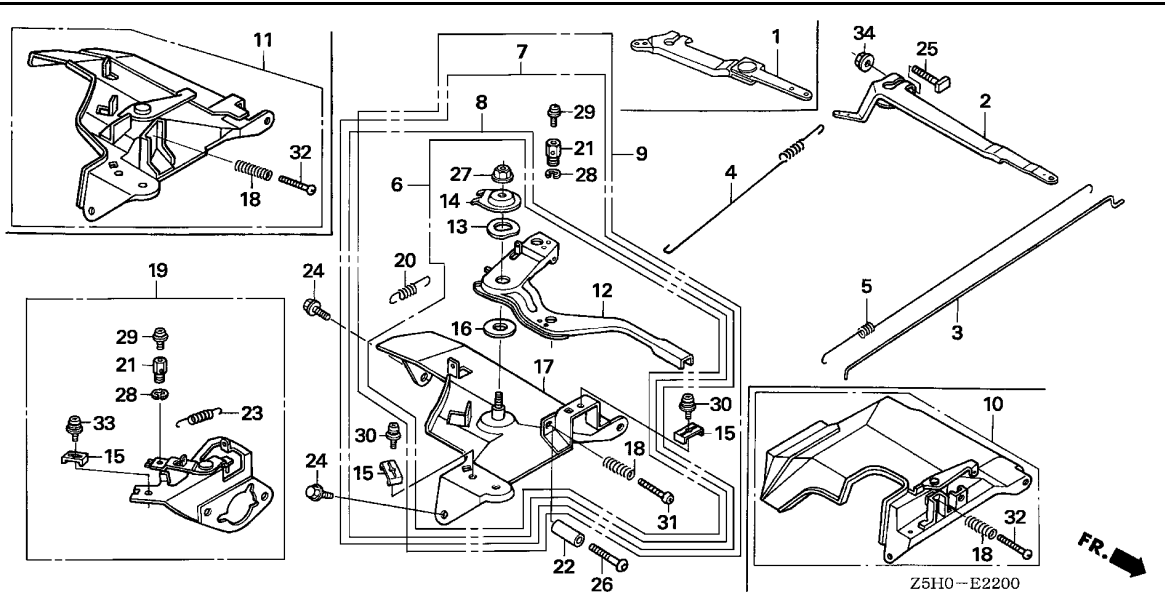


Ref. No.	Part No.	Description	Reqd. QTY		Serial No.	Parts catalogue code
			GX 270 U R	GX 270 R		
1	16550-ZE2-700	ARM COMP., GOVERNOR .....	1	1	-----	VAG2,VKB2,VKE4,VKE9,VKX4,VKX9,VMS2,VWA2
2	16551-ZE2-000	ARM, GOVERNOR .....	1	1	-----	HA2,HEA2,HEA8,HXQ4,HX26,HX8,LXE8,LXQ4,LXU,PAE2,PA2,PXE8,PXU,PX26,QAE2 QAE6,QAG,QAG2,QAQ4,QAR2,QAW,QA2,QA26,QE,QHE4,QHQ4,QHR,QHR4,QH26,QKE3 QKE4,QME2,QSC9,QSE2,QSE8,QWA4,QWH2,QXB,QXB6,QXB7,QXB9,QXC4,QXC6,QXC9 QXE4,QXE6,QXE8,QXQ4,QXU,RA2,RHE4,RHG4,RHQ4,RH26,RSC2,RXQ4,RXU,SAX4,SE SHQ4,SMC4,SME1,SME6,SMX2,SWA4,SWC4,SWB,SWB7,SWB9,SWEB,SXE4,SXE8, SXQ4 SXU,VA2,VDE2,VE39,VKQ4,VMA4,VME2,VME4,VMX2,VM2,VNG1,VNT2,VN17,VN19 VPE4,VPE5,VPE7,VPE9,VPX4,VPX5,VPX7,VPX9,VSD,VSD3,VSD7,VSD9,VSH7,VSH9 VS37,VS39,VWN2,VWT4,VW12,VXB,VXB7,VXB9,VXEB,VXE4,VXE6,VXE7,VXE9,VXQ4 VXU1,VX2,VX39,WMA4,WMT8
3	16555-ZE2-000	ROD, GOVERNOR .....	1	1	-----	HA2,HEA2,HEA8,HXQ4,HX26,HX8,LXE8,LXQ4,LXU,PAE2,PA2,PXE8,PXU,PX26,QAE2 QAE6,QAG,QAG2,QAQ4,QAR2,QAW,QA2,QA26,QE,QHE4,QHQ4,QHR,QHR4,QH26,QKE3 QKE4,QME2,QSC9,QSE2,QSE8,QWA4,QWH2,QXB,QXB6,QXB7,QXB9,QXC4,QXC6,QXC9 QXE4,QXE6,QXE8,QXQ4,QXU,RA2,RHE4,RHG4,RHQ4,RH26,RSC2,RXQ4,RXU,SAX4,SE SHQ4,SMC4,SME1,SME6,SMX2,SWA4,SWC4,SWB,SWB7,SWB9,SWEB,SXE4,SXE8, SXQ4 SXU,VAG2,VA2,VDE2,VKE4,VKE9,VKQ4,VKX4,VKX9,VMA4,VME4,VMX2,VNG1,VNT2 VN17,VN19,VPE7,VPX7,VSD,VSD3,VSD7,VSD9,VSH7,VSH9,VS37,VS39,VWA2,VWN2 VWT4,VW12,VXB,VXEB,VXE4,VXE6,VXQ4,VXU1,VX2,WMA4,WMT8
	16561-ZE2-800	.....	(1)	-	-----	VNG1,VN17,VN19,VPX4,VPX7,VSD,VSD3,VSD7,VSD9,VS37,VS39,VXB,VXB7,VXB9 VXQ4,VXU1,VX2,VX39
	16561-ZH9-U30	.....	1	1	-----	VKB2,VME2,VMS2,VM2,VXB7,VXB9,VXE7,VXE9
	16561-ZK9-800	.....	1	-	-----	VE39,VPE4,VPE5,VPE9,VPX4,VPX5,VPX9,VX39

Ref. No.	Part No.	Description	Reqd. QTY		Serial No.	Parts catalogue code
			GX 270 U	GX 270 R		
5	16562-ZE2-000	SPRING, THROTTLE RETURN .....	1	1	-----	HA2,HEA2,HEA8,HXQ4,HX26,HX8,LXE8,LXQ4,LXU,PAE2,PA2,PXE8,PXU,PX26,QAE2,QAE6,QAG,QAG2,QAQ4,QAR2,QAW,QA2,QA26,QE,QHE4,QHQ4,QHR,QHR4,QH26,QKE3,QKE4,QME2,QSC9,QSE2,QSE8,QWA4,QWH2,QXB,QXB6,QXB7,QXB9,QXC4,QXC6,QXC9,QXE4,QXE6,QXE8,QXQ4,QXU,RA2,RHE4,RHG4,RHQ4,RH26,RSC2,RXQ4,RXU,SAX4,SE,SHQ4,SMC4,SME1,SME6,SMX2,SWA4,SWC4,SWB,SWB7,SWB9,SWEB,SXE4,SXE8,SXQ4,SXU,VA2,VDE2,VE39,VKE4,VKE9,VKQ4,VKX4,VKX9,VMA4,VME2,VME4,VM2,VNG1,VNT2,VN17,VN19,VPE4,VPE5,VPE7,VPE9,VPX4,VPX5,VPX7,VPX9,VSD,VSD3,VSD7,VSD9,VSH7,VSH9,VS37,VS39,VWN2,VWT4,VW12,VXB,VXB7,VXB9,VXEB,VXE4,VXE6,VXE7,VXE9,VXQ4,VXU1,VX2,VX39,WMA4,WMT8
	16562-ZE2-700	.....	1	1	-----	VAG2,VKB2,VMS2,VMX2,VWA2
6	16570-ZE2-W00	CONTROL ASSY. ....	1	-	-----	HA2,HEA2,HEA8,HXQ4,HX26,HX8,PA2,PXU,PX26,SMC4,VXB,VXB7,VXB9,VXEB,VXE4,VXE6,VXE7,VXE9,VXQ4,VX2,WMA4,WMT8
	16570-ZE2-W40	.....	1	-	-----	VNG1,VN17,VN19
7	16570-ZE2-W10	CONTROL ASSY. (REMOTE) .....	1	-	-----	QKE3,QKE4,SAX4,SME6,VKQ4,VMA4,VME4
8	16570-ZE2-W20	CONTROL ASSY. (REMOTE) .....	1	1	-----	LXE8,LXQ4,LXU,PAE2,PXE8,QAE2,QAE6,QAG,QAG2,QAQ4,QAR2,QAW,QA2,QA26,QE,QHE4,QHQ4,QHR,QHR4,QH26,QME2,QSC9,QSE2,QSE8,QWA4,QWH2,QXB,QXB6,QXB7,QXB9,QXC4,QXC6,QXC9,QXE4,QXE6,QXE8,QXQ4,QXU,RA2,RHE4,RHG4,RHQ4,RH26,RSC2,RXQ4,RXU,SE,SHQ4,SME1,SWA4,SWC4,SWB,SWB7,SWB9,SWEB,SXE4,SXE8,SXQ4,SXU,VA2,VDE2,VME2,VM2,VWN2
9	16570-ZE2-W50	CONTROL ASSY. (REMOTE) .....	1	-	-----	SMX2
10	16570-ZE2-701	CONTROL ASSY. ....	1	-	-----	VE39,VKE4,VKE9,VKX4,VKX9,VPE4,VPE5,VPE7,VPE9,VPX4,VPX5,VPX7,VPX9,VSD3,VS37,VS39,VX39
11	16570-ZE2-721	CONTROL ASSY. ....	1	-	1086738	VAG2,VKB2,VMS2,VMX2,VNT2,VSD,VSD7,VSD9,VSH7,VSH9,VWA2,VWT4,VW12,VXU1
	16570-ZE2-722	.....	1	-	1086739	VAG2,VKB2,VMS2,VMX2,VNT2,VSD,VSD7,VSD9,VSH7,VSH9,VWA2,VWT4,VW12,VXU1
						VKB2
12	16571-ZE2-W00	LEVER, CONTROL .....	1	1	-----	HA2,HEA2,HEA8,HXQ4,HX26,HX8,LXE8,LXQ4,LXU,PAE2,PA2,PXE8,PXU,PX26,QAE2,QAE6,QAG,QAG2,QAQ4,QAR2,QAW,QA2,QA26,QE,QHE4,QHQ4,QHR,QHR4,QH26,QKE3,QKE4,QME2,QSC9,QSE2,QSE8,QWA4,QWH2,QXB,QXB6,QXB7,QXB9,QXC4,QXC6,QXC9,QXE4,QXE6,QXE8,QXQ4,QXU,RA2,RHE4,RHG4,RHQ4,RH26,RSC2,RXQ4,RXU,SAX4,SE,SHQ4,SMC4,SME1,SME6,SMX2,SWA4,SWC4,SWB,SWB7,SWB9,SWEB,SXE4,SXE8,SXQ4,SXU,VA2,VDE2,VKQ4,VMA4,VME2,VME4,VM2,VWN2,VXB,VXB7,VXB9,VXEB,VXE4,VXE6,VXE7,VXE9,VXQ4,VX2,WMA4,WMT8
	16571-ZE2-W10	.....	1	-	-----	VNG1,VN17,VN19
13	16574-ZE1-000	SPRING, LEVER .....	1	1	-----	HA2,HEA2,HEA8,HXQ4,HX26,HX8,LXE8,LXQ4,LXU,PAE2,PA2,PXE8,PXU,PX26,QAE2,QAE6,QAG,QAG2,QAQ4,QAR2,QAW,QA2,QA26,QE,QHE4,QHQ4,QHR,QHR4,QH26,QKE3,QKE4,QME2,QSC9,QSE2,QSE8,QWA4,QWH2,QXB,QXB6,QXB7,QXB9,QXC4,QXC6,QXC9,QXE4,QXE6,QXE8,QXQ4,QXU,RA2,RHE4,RHG4,RHQ4,RH26,RSC2,RXQ4,RXU,SAX4,SE,SHQ4,SMC4,SME1,SME6,SMX2,SWA4,SWC4,SWB,SWB7,SWB9,SWEB,SXE4,SXE8,SXQ4,SXU,VA2,VDE2,VKQ4,VMA4,VME2,VME4,VM2,VNG1,VN17,VN19,VWN2,VXB,VXB7,VXB9,VXEB,VXE4,VXE6,VXE7,VXE9,VXQ4,VX2,WMA4,WMT8
14	16575-ZE2-W00	WASHER, CONTROL LEVER .....	1	1	-----	HA2,HEA2,HEA8,HXQ4,HX26,HX8,LXE8,LXQ4,LXU,PAE2,PA2,PXE8,PXU,PX26,QAE2,QAE6,QAG,QAG2,QAQ4,QAR2,QAW,QA2,QA26,QE,QHE4,QHQ4,QHR,QHR4,QH26,QKE3,QKE4,QME2,QSC9,QSE2,QSE8,QWA4,QWH2,QXB,QXB6,QXB7,QXB9,QXC4,QXC6,QXC9,QXE4,QXE6,QXE8,QXQ4,QXU,RA2,RHE4,RHG4,RHQ4,RH26,RSC2,RXQ4,RXU,SAX4,SE,SHQ4,SMC4,SME1,SME6,SMX2,SWA4,SWC4,SWB,SWB7,SWB9,SWEB,SXE4,SXE8,SXQ4,SXU,VA2,VDE2,VKQ4,VMA4,VME2,VME4,VM2,VNG1,VN17,VN19,VWN2,VXB,VXB7,VXB9,VXEB,VXE4,VXE6,VXE7,VXE9,VXQ4,VX2,WMA4,WMT8
15	16576-891-000	HOLDER, CABLE .....	1	1	-----	LXE8,LXQ4,LXU,PAE2,PXE8,QAE2,QAE6,QAG,QAG2,QAQ4,QAR2,QAW,QA2,QA26,QE,QHE4,QHQ4,QHR,QHR4,QH26,QSC9,QSE2,QSE8,QWA4,QWH2,QXB,QXB6,QXB7,QXB9,QXC4,QXC6,QXC9,QXE4,QXE6,QXE8,QXQ4,QXU,RA2,RHE4,RHG4,RHQ4,RH26,RSC2,RXQ4,RXU,SAX4,SE,SHQ4,SME1,SME6,SMX2,SWA4,SWC4,SWB,SWB7,SWB9,SWEB,SXE4,SXE8,SXQ4,SXU,VA2,VDE2,VKQ4,VMA4,VME2,VME4,VM2,VWN2
			2	-	-----	QKE3,QKE4,QME2



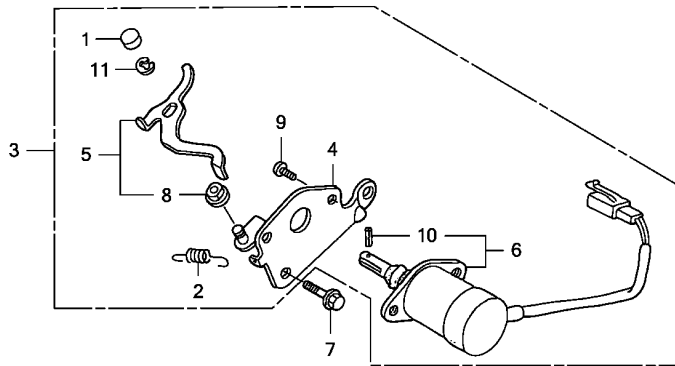




Ref. No.	Part No.	Description	Reqd. QTY		Serial No.	Parts catalogue code
			GX 270 U	GX 270 R		
16	16578-ZE1-000	SPACER, CONTROL LEVER .....	1	1	-----	HA2,HEA2,HEA8,HXQ4,HX26,HX8,LXE8,LXQ4,LXU,PAE2,PA2,PXE8,PXU,PX26,QAE2,QAE6,QAG,QAG2,QAQ4,QAR2,QAW,QA2,QA26,QE,QHE4,QHQ4,QHR,QHR4,QH26,QKE3,QKE4,QME2,QSC9,QSE2,QSE8,QWA4,QWH2,QXB,QXB6,QXB7,QXB9,QXC4,QXC6,QXC9,QXE4,QXE6,QXE8,QXQ4,QXU,RA2,RHE4,RHG4,RHQ4,RH26,RSC2,RXQ4,RXU,SAX4,SE,SHQ4,SMC4,SME1,SME6,SMX2,SWA4,SWC4, SXB, SXB7, SXB9, SXEB, SXE4, SXE8, SXQ4, SXU, VA2, VDE2, VKQ4, VMA4, VME2, VME4, VM2, VNG1, VN17, VN19, VWN2, VXB, VXB7, VXB9, VXEB, VXE4, VXE6, VXE7, VXE9, VXQ4, VX2, WMA4, WMT8
17	16581-ZE2-W00	BASE COMP., CONTROL (###) ...	1	1	-----	HA2,HEA2,HEA8,HXQ4,HX26,HX8,LXE8,LXQ4,LXU,PAE2,PA2,PXE8,PXU,PX26,QAE2,QAE6,QAG,QAG2,QAQ4,QAR2,QAW,QA2,QA26,QE,QHE4,QHQ4,QHR,QHR4,QH26,QKE3,QKE4,QME2,QSC9,QSE2,QSE8,QWA4,QWH2,QXB,QXB6,QXB7,QXB9,QXC4,QXC6,QXC9,QXE4,QXE6,QXE8,QXQ4,QXU,RA2,RHE4,RHG4,RHQ4,RH26,RSC2,RXQ4,RXU,SAX4,SE,SHQ4,SMC4,SME1,SME6,SMX2,SWA4,SWC4, SXB, SXB7, SXB9, SXEB, SXE4, SXE8, SXQ4, SXU, VA2, VDE2, VKQ4, VMA4, VME2, VME4, VM2, VNG1, VN17, VN19, VWN2, VXB, VXB7, VXB9, VXEB, VXE4, VXE6, VXE7, VXE9, VXQ4, VX2, WMA4, WMT8
18	16584-883-300	SPRING, CONTROL ADJUSTING ...	1	1	-----	
19	16590-ZE2-812	STAY ASSY., CHOKE CONTROL			-----	
20	16592-883-310	(REMOTE) SPRING, CABLE RETURN .....	1	1	-----	QKE3,QKE4,QME2 LXE8,LXQ4,LXU,PAE2,PXE8,QAE2,QAE6,QAG,QAG2,QAQ4,QAR2,QAW,QA2,QA26,QE,QHE4,QHQ4,QHR,QHR4,QH26,QKE3,QKE4,QME2,QSC9,QSE2,QSE8,QWA4,QWH2,QXB,QXB6,QXB7,QXB9,QXC4,QXC6,QXC9,QXE4,QXE6,QXE8,QXQ4,QXU,RA2,RHE4,RHG4,RHQ4,RH26,RSC2,RXQ4,RXU,SAX4,SE,SHQ4,SME1,SME6,SMX2,SWA4,SWC4, SXB, SXB7, SXB9, SXEB, SXE4, SXE8, SXQ4, SXU, VA2, VDE2, VKQ4, VMA4, VME2, VME4, VM2, VNG1, VN17, VN19, VWN2, VXB, VXB7, VXB9, VXEB, VXE4, VXE6, VXE7, VXE9, VXQ4, VX2, WMA4, WMT8
21	16594-883-010	HOLDER, WIRE .....	1	-	-----	QME2,SAX4,SME6,SMX2,VKQ4,VMA4,VME4
			2	-	-----	QKE3,QKE4

Ref. No.	Part No.	Description	Reqd. QTY		Serial No.	Parts catalogue code
			GX 270 U	GX 270 R		
22	16599-ZG1-M10	COLLAR, STOPPER .....	(1)	-		HXQ4, LXQ4, QAQ4, QE, QHE4, QHQ4, QHR, QHR4, QKE3, QKE4, QME2, QWA4, QXB, QXB7, QXB9, QXC4, QXE4, QXQ4, RHE4, RHG4, RHQ4, RXQ4, SAX4, SE, SHQ4, SMC4, SME1, SME6, SWA4, SWC4, SXB, SXB7, SXB9, SXEB, SXE4, SXQ4, VE39, VKQ4, VMA4, VME4, VNG1, VN17, VN19, VPE4, VPE5, VPE7, VPE9, VPX4, VPX5, VPX7, VPX9, VSD, VSD3, VSD7, VSD9, VSH7, VSH9, VS37, VS39, VWT4, VXB, VXB7, VXB9, VXEB, VXE4, VXE7, VXE9, VXQ4, VX39, WMA4, QKE3, QKE4, QME2
23	16615-ZE2-810	SPRING, RETURN .....	1	-		
24	90013-883-000	BOLT, FLANGE, 6X12(CT200) ...	2	2		
25	90015-ZE5-010	BOLT, GOVERNOR ARM .....	1	1		
26	90016-ZG9-N30	SCREW, RECESSED, 5X25 .....	(1)	-		HXQ4, LXQ4, QAQ4, QE, QHE4, QHQ4, QHR, QHR4, QKE3, QKE4, QME2, QWA4, QXB, QXB7, QXB9, QXC4, QXE4, QXQ4, RHE4, RHG4, RHQ4, RXQ4, SAX4, SE, SHQ4, SMC4, SME1, SME6, SWA4, SWC4, SXB, SXB7, SXB9, SXEB, SXE4, SXQ4, VE39, VKQ4, VMA4, VME4, VNG1, VN17, VN19, VPE4, VPE5, VPE7, VPE9, VPX4, VPX5, VPX7, VPX9, VSD, VSD3, VSD7, VSD9, VSH7, VSH9, VS37, VS39, VWT4, VXB, VXB7, VXB9, VXEB, VXE4, VXE7, VXE9, VXQ4, VX39, WMA4, HA2, HEA2, HEA8, HXQ4, HX26, HX8, LXE8, LXQ4, LXU, PAE2, PA2, PXE8, PXU, PX26, QAE2, QAE6, QAG, QAG2, QAQ4, QAR2, QAW, QA2, QA26, QE, QHE4, QHQ4, QHR, QHR4, QH26, QKE3, QKE4, QME2, QSC9, QSE2, QSE8, QWA4, QWH2, QXB, QXB6, QXB7, QXB9, QXC4, QXC6, QXC9, QXE4, QXE6, QXE8, QXQ4, QXU, RA2, RHE4, RHG4, RHQ4, RH26, RSC2, RXQ4, RXU, SAX4, SE, SHQ4, SMC4, SME1, SME6, SMX2, SWA4, SWC4, SXB, SXB7, SXB9, SXEB, SXE4, SXE8, SXQ4, SXU, VA2, VDE2, VKQ4, VMA4, VME2, VME4, VM2, VNG1, VN17, VN19, VWN2, VXB, VXB7, VXB9, VXEB, VXE4, VXE6, VXE7, VXE9, VXQ4, VX2, WMA4, WMT8
27	90114-SA0-000	NUT, SELF-LOCK, 6MM .....	1	1		QME2, SAX4, SME6, SMX2, VKQ4, VMA4, VME4, QKE3, QKE4
28	90605-230-000	CIRCLIP, 5MM .....	1	-		QME2, SAX4, SME6, SMX2, VKQ4, VMA4, VME4, QKE3, QKE4
29	93500-04006-0H	SCREW, PAN, 4X6 .....	1	-		QME2, SAX4, SME6, SMX2, VKQ4, VMA4, VME4, QKE3, QKE4
30	93500-05016-0A	SCREW, PAN, 5X16 .....	1	1		LXE8, LXQ4, LXU, PAE2, PXE8, QAE2, QAE6, QAG, QAG2, QAQ4, QAR2, QAW, QA2, QA26, QE, QHE4, QHQ4, QHR, QHR4, QH26, QKE3, QKE4, QME2, QSC9, QSE2, QSE8, QWA4, QWH2, QXB, QXB6, QXB7, QXB9, QXC4, QXC6, QXC9, QXE4, QXE6, QXE8, QXQ4, QXU, RA2, RHE4, RHG4, RHQ4, RH26, RSC2, RXQ4, RXU, SAX4, SE, SHQ4, SME1, SME6, SMX2, SWA4, SWC4, SXB, SXB7, SXB9, SXEB, SXE4, SXE8, SXQ4, SXU, VA2, VDE2, VKQ4, VMA4, VME2, VME4, VM2, VNG1, VN17, VN19, VWN2, VXB, VXB7, VWN2
31	93500-05028-0A	SCREW, PAN, 5X28 .....	1	1		HA2, HEA2, HEA8, HXQ4, HX26, HX8, LXE8, LXQ4, LXU, PAE2, PA2, PXE8, PXU, PX26, QAE2, QAE6, QAG, QAG2, QAQ4, QAR2, QAW, QA2, QA26, QE, QHE4, QHQ4, QHR, QHR4, QH26, QKE3, QKE4, QME2, QSC9, QSE2, QSE8, QWA4, QWH2, QXB, QXB6, QXB7, QXB9, QXC4, QXC6, QXC9, QXE4, QXE6, QXE8, QXQ4, QXU, RA2, RHE4, RHG4, RHQ4, RH26, RSC2, RXQ4, RXU, SAX4, SE, SHQ4, SMC4, SME1, SME6, SMX2, SWA4, SWC4, SXB, SXB7, SXB9, SXEB, SXE4, SXE8, SXQ4, SXU, VA2, VDE2, VKQ4, VMA4, VME2, VME4, VM2, VNG1, VN17, VN19, VWN2, VXB, VXB7, VXB9, VXEB, VXE4, VXE6, VXE7, VXE9, VXQ4, VX2, WMA4, WMT8
32	93500-05035-0A	SCREW, PAN, 5X35 .....	1	1		VAG2, VE39, VKB2, VKE4, VKE9, VKX4, VKX9, VMS2, VMX2, VNT2, VPE4, VPE5, VPE7, VPE9, VPX4, VPX5, VPX7, VPX9, VSD, VSD3, VSD7, VSD9, VSH7, VSH9, VS37, VS39, VWA2, VWT4, VW12, VXU1, VX39
33	93893-05016-00	SCREW-WASHER, 5X16 .....	1	-		QKE3, QKE4, QME2
34	94050-06000	NUT, FLANGE, 6MM .....	1	1		





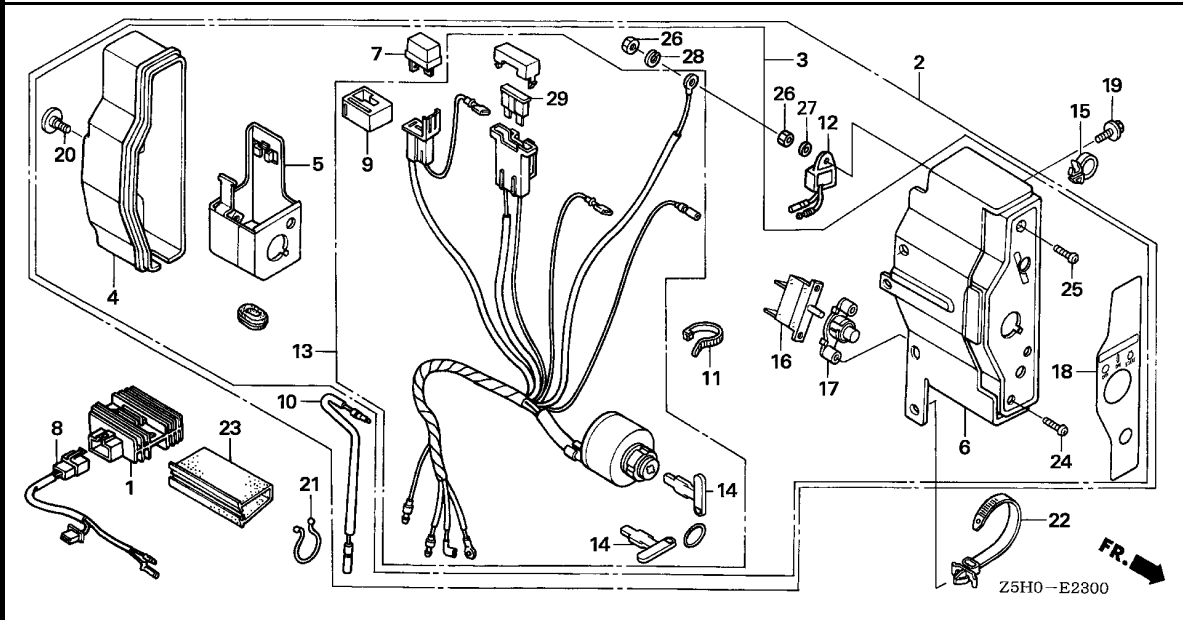
Z5H0E2210A



Ref. No.	L.O.N.	(Relative ref. Number) Description	F.R.T.
2	8101Q9	SPRING, CHOKE RETURN .....	0.2
3	8101S8	THROTTLE, AUTO .....	0.2
6	6211C5	SOLENOID, AUTO THROTTLE .....	0.3

2

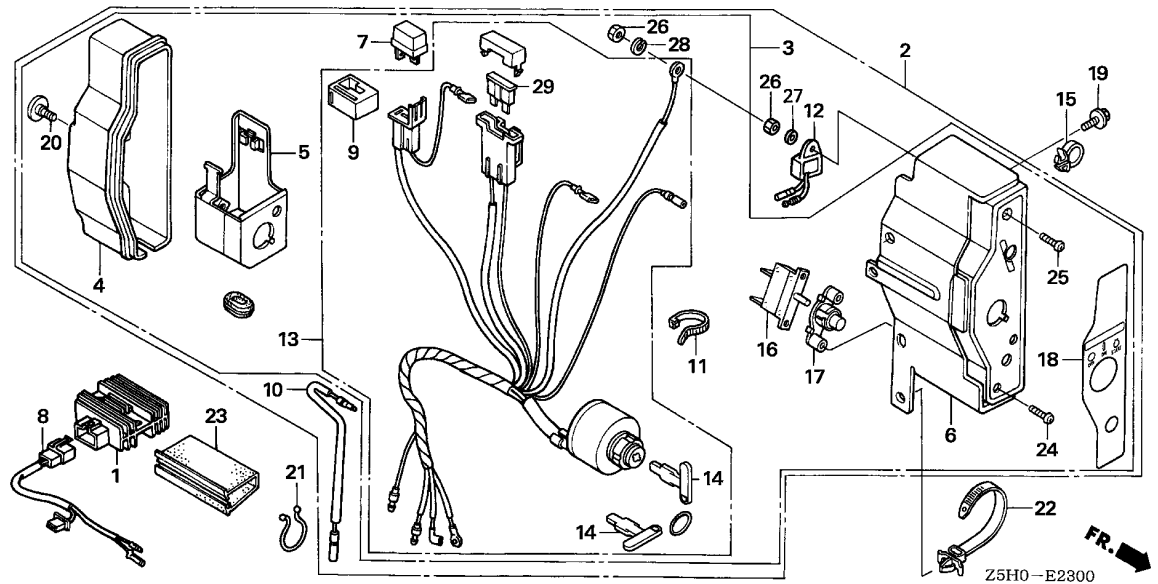
Ref. No.	Part No.	Description	Reqd. QTY		Serial No.	Parts catalogue code
			GX 270 U	GX 270 R		
1	16252-ZA1-010	CAP, CHOKE LEVER .....	1	-	----- VAG2,VMS2	
2	16268-893-000	SPRING, CHOKE RETURN .....	1	-	----- VAG2,VMS2	
3	16270-ZB4-010	AUTO-THROTTLE ASSY. ....	1	-	----- VAG2,VMS2	
4	16271-ZB4-000	STAY, SOLENOID THROTTLE .....	1	-	----- VAG2,VMS2	
5	16273-ZB4-000	LEVER COMP., SOLENOID THROTTLE	1	-	----- VAG2,VMS2	
6	36160-ZB4-003	SOLENOID ASSY. ....	1	-	----- VAG2,VMS2	
7	90013-883-000	BOLT, FLANGE, 6X12(CT200) ...	1	-	----- VAG2,VMS2	
8	91502-ZB4-701	BUSH, AUTO-THROTTLE LEVER ...	1	-	----- VAG2,VMS2	
9	93500-05008-0A	SCREW, PAN, 5X8 .....	2	-	----- VAG2,VMS2	
10	94305-20062	PIN, SPRING, 2X6 .....	1	-	----- VAG2,VMS2	
11	94540-04018	E-RING, 4MM .....	1	-	----- VAG2,VMS2	



Ref. No.	L.O.N.	(Relative ref. Number) Description	F.R.T.
1	6131B7	RECTIFIER, REGULATOR .....	0.2
2	6221N7	BOX, ENGINE CONTROL .....	0.1
7	6131B8	RECTIFIER, SILICON .....	0.1
8	6111D3	HARNES, SUB WIRE .....	0.2
12	6151K4	ALERT UNIT, ENGINE CONTROL OIL .....	0.2
13	6151E1	SWITCH, COMBINATION .....	0.2
16	6221D4	PROTECTOR, CIRCUIT .....	0.2
29	8121A7	FUSE, BLADE .....	0.1

Ref. No.	Part No.	Description	Reqd. QTY		Serial No.	Parts catalogue code
			GX 270 U	GX 270 R		
1	31600-ZE2-861	RECTIFIER ASSY., REGULATOR (10A)	1	-	-----	QHR4,QKE3,QKE4
2	31610-ZE2-834ZE	BOX ASSY., CONTROL (EXP-ALERT) *R280*	1	-	-----	WMA4
	31610-Z5J-801ZA	BOX ASSY., CONTROL (EXP-ALERT) (3A) *NH1*	1	-	-----	QAE2,VME2
	31610-Z5J-801ZB	*NH105*...MAT BLACK (#15-#20)	1	-	-----	VME2,VMS2
	31610-Z5J-801ZC	*R280*...POWER RED	1	1	-----	HEA2,HEA8,PAE2,QAE2,QAE6,VDE2,VKB2,VME2
	31610-Z5K-801ZA	BOX ASSY., CONTROL (EXP-ALERT) *R280*	1	-	-----	LXE8,QXE6,SXEB,SXE8,VXEB
	31610-Z5K-801ZB	*NH1*...BLACK	1	-	-----	1185318 PXE8,QXE4,QXE8,SXE4,VXE4,VXE6,VXE7,VXE9
	31610-Z5K-802ZA	*R280*...POWER RED	1	-	1185319	----- PXE8,QXE4,QXE8,SXE4,VXE4,VXE6,VXE7,VXE9
	31610-Z5K-802ZB	*NH1*...BLACK	1	-	1185319	----- VXE4,VXE7,VXE9
3	31610-Z5J-811ZA	BOX ASSY., CONTROL (EXTERNAL) *R280*	1	-	-----	QHE4,RHE4
4	31612-ZE2-003	CASE, CONTROL	1	1	-----	HEA2,HEA8,LXE8,PAE2,PXE8,QAE2,QAE6,QHE4,QXE4,QXE6,QXE8,RHE4,SXEB,SXE4,SXE8,VDE2,VKB2,VME2,VMS2,VXEB,VXE4,VXE6,VXE7,VXE9,WMA4
5	31614-ZE2-003	BRACKET, CASE MOUNTING	1	1	-----	HEA2,HEA8,LXE8,PAE2,PXE8,QAE2,QAE6,QHE4,QXE4,QXE6,QXE8,RHE4,SXEB,SXE4,SXE8,VDE2,VKB2,VME2,VMS2,VXEB,VXE4,VXE6,VXE7,VXE9,WMA4
6	31615-ZE2-003ZA	PANEL COMP., CONTROL *NH1*	1	-	-----	QAE2,VME2,VXE4,VXE7,VXE9
	31615-ZE2-003ZE	*NH105*...MAT BLACK (#15-#20)	1	-	-----	VME2,VMS2
	31615-ZE2-003ZG	*R280*...POWER RED	1	1	-----	HEA2,HEA8,LXE8,PAE2,PXE8,QAE2,QAE6,QHE4,QXE4,QXE6,QXE8,RHE4,SXEB,SXE4,SXE8,VDE2,VKB2,VME2,VXEB,VXE4,VXE6,VXE7,VXE9,WMA4





Ref. No.	Part No.	Description	Reqd. QTY		Serial No.	Parts catalogue code
			GX 270 U	GX 270 R		
7	31700-124-008	RECTIFIER ASSY., SILICON (SHINDENGEN)	1	1	-----	HEA2,HEA8,LXE8,PAE2,PXE8,QAE2,QAE6,QHE4,QXE4,QXE6,QXE8,RHE4,SXEB,SXE4,SXE8,VDE2,VKB2,VME2,VMS2,VXEB,VXE4,VXE6,VXE7,VXE9,WMA4
8	32110-ZE2-860	HARNESS ASSY., SUB WIRE	1	-	-----	QHR4,QKE3,QKE4
9	32127-738-700	SUSPENSION, COUPLER	1	1	-----	HEA2,HEA8,LXE8,PAE2,PXE8,QAE2,QAE6,QHE4,QXE4,QXE6,QXE8,RHE4,SXEB,SXE4,SXE8,VDE2,VKB2,VME2,VMS2,VXEB,VXE4,VXE6,VXE7,VXE9,WMA4
10	32197-ZE1-003	SUB HARNESS	1	1	-----	HEA2,HEA8,LXE8,PAE2,PXE8,QAE2,QAE6,QXE4,QXE6,QXE8,SXEB,SXE4,SXE8,VDE2,VKB2,VME2,VMS2,VXEB,VXE4,VXE6,VXE7,VXE9,WMA4
11	32902-892-003	BAND	1	1	-----	HEA2,HEA8,LXE8,PAE2,PXE8,QAE2,QAE6,QHE4,QXE4,QXE6,QXE8,RHE4,SXEB,SXE4,SXE8,VDE2,VKB2,VME2,VMS2,VXEB,VXE4,VXE6,VXE7,VXE9,WMA4
12	34150-ZH7-003	ALERT UNIT, OIL	1	-	-----	LXE8,QXE6,SXEB,SXE8,VME2,VXEB
	34150-ZH7-013		1	-	1185319	HEA2,HEA8,PAE2,PXE8,QAE2,QAE6,QXE4,QXE8,SXE4,VDE2,VKB2,VMS2,VXE4,VXE6,VXE7,VXE9,WMA4
			1	-	1185319	HEA2,HEA8,PAE2,PXE8,QAE2,QAE6,QXE4,QXE8,SXE4,VDE2,VKB2,VMS2,VXE4,VXE6,VXE7,VXE9,WMA4
13	35100-ZE2-023	SWITCH ASSY., COMBINATION	-	1	-----	VDE2,VKB2
	35100-ZE2-842	SWITCH ASSY., COMBINATION (3A-CHARGE)	1	-	-----	LXE8,QHE4,QXE6,SXEB,SXE8,VXEB
			1	-	1185318	PXE8,QXE4,QXE8,RHE4,SXE4,VXE4,VXE6,VXE7,VXE9,WMA4
	35100-ZE2-033	SWITCH ASSY., COMBINATION	1	-	-----	VME2
	35100-ZE2-843	SWITCH ASSY., COMBINATION (3A-CHARGE)	1	-	1184855	HEA2,HEA8,PAE2,QAE2,QAE6,VDE2,VKB2,VMS2
			1	-	1185319	PXE8,QXE4,QXE8,RHE4,SXE4,VXE4,VXE6,VXE7,VXE9,WMA4
14	35111-880-013	KEY COMP.	1	-	1184856	HEA2,HEA8,PAE2,QAE2,QAE6,VDE2,VKB2,VMS2
			-	1	-----	VDE2,VKB2
			2	2	-----	HEA2,HEA8,LXE8,PAE2,PXE8,QAE2,QAE6,QHE4,QXE4,QXE6,QXE8,RHE4,SXEB,SXE4,SXE8,VDE2,VKB2,VME2,VMS2,VXEB,VXE4,VXE6,VXE7,VXE9,WMA4

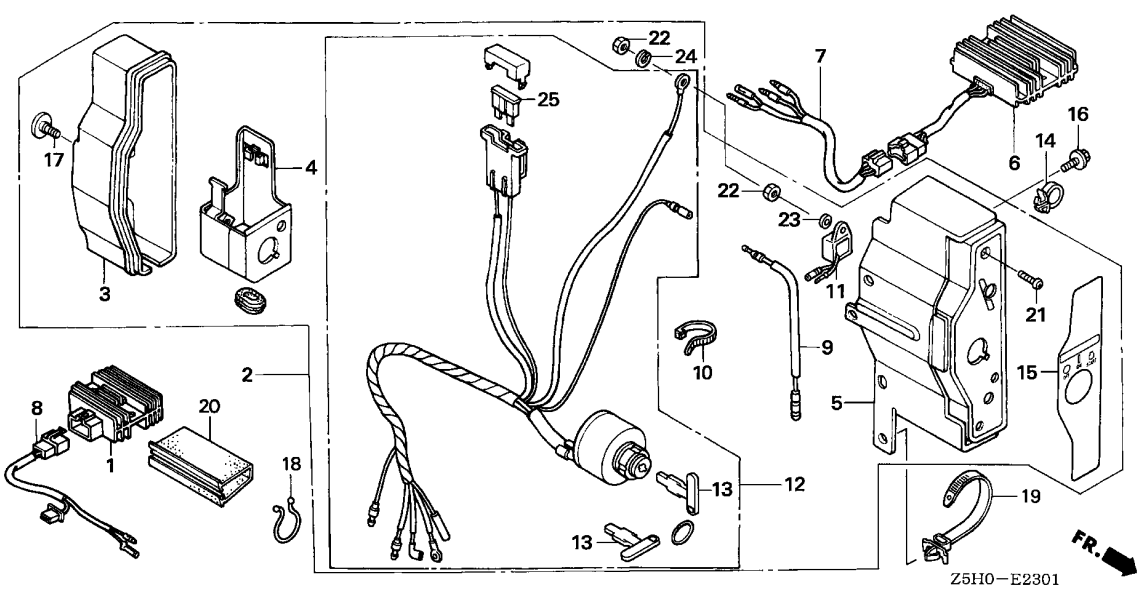
Ref. No.	Part No.	Description	Reqd. QTY		Serial No.	Parts catalogue code
			GX 270 U	GX 270 R		
15	36103-ZE1-000	HOLDER, STOP SWITCH CORD	1	1	-----	HEA2,HEA8,LXE8,PAE2,PXE8,QAE2,QAE6,QHE4,QXE4,QXE6,QXE8,RHE4,SXEB,SXE4,SXE8,VDE2,VKB2,VME2,VMS2,VXEB,VXE4,VXE6,VXE7,VXE9,WMA4
16	38240-VA3-900	PROTECTOR, CIRCUIT (1.0A)	1	-	-----	LXE8,PXE8,QHE4,QXE4,QXE6,QXE8,RHE4,SXEB,SXE4,SXE8,VXEB,VXE4,VXE6,VXE7,VXE9,WMA4
17	38240-ZE2-840 38250-ZA8-701	PROTECTOR, CIRCUIT (3.5A) LENS ASSY., PROTECTOR	1 1	1 1	-----	HEA2,HEA8,PAE2,QAE2,QAE6,VDE2,VKB2,VME2,VMS2 HEA2,HEA8,LXE8,PAE2,PXE8,QAE2,QAE6,QHE4,QXE4,QXE6,QXE8,RHE4,SXEB,SXE4,SXE8,VDE2,VKB2,VME2,VMS2,VXEB,VXE4,VXE6,VXE7,VXE9,WMA4
18	87529-ZE2-812 87529-Z4T-840	MARK, CONTROL BOX (EXP) MARK, CONTROL BOX (EXTERNAL)	1 1	- 1	-----	WMA4 HEA2,HEA8,LXE8,PAE2,PXE8,QAE2,QAE6,QHE4,QXE4,QXE6,QXE8,RHE4,SXEB,SXE4,SXE8,VDE2,VKB2,VME2,VMS2,VXEB,VXE4,VXE6,VXE7,VXE9
19	90013-883-000	BOLT, FLANGE, 6X12(CT200)	2	2	-----	HEA2,HEA8,LXE8,PAE2,PXE8,QAE2,QAE6,QHE4,QXE4,QXE6,QXE8,RHE4,SXEB,SXE4,SXE8,VDE2,VKB2,VME2,VMS2,VXEB,VXE4,VXE6,VXE7,VXE9,WMA4
20	90380-MA6-010	SCREW, SPECIAL, 6X12	1	1	-----	HEA2,HEA8,LXE8,PAE2,PXE8,QAE2,QAE6,QHE4,QXE4,QXE6,QXE8,RHE4,SXEB,SXE4,SXE8,VDE2,VKB2,VME2,VMS2,VXEB,VXE4,VXE6,VXE7,VXE9,WMA4
21	90630-751-000	CLIP, PURSE LOCK	1	1	-----	HEA2,HEA8,LXE8,PAE2,PXE8,QAE2,QAE6,QHE4,QXE4,QXE6,QXE8,RHE4,SXEB,SXE4,SXE8,VDE2,VKB2,VME2,VMS2,VXEB,VXE4,VXE6,VXE7,VXE9,WMA4
22	90672-SA0-003	STRAP, CABLE, 118MM(BLACK)	1	1	-----	HEA2,HEA8,LXE8,PAE2,PXE8,QAE2,QAE6,QHE4,QXE4,QXE6,QXE8,RHE4,SXEB,SXE4,SXE8,VDE2,VKB2,VME2,VMS2,VXEB,VXE4,VXE6,VXE7,VXE9,WMA4
23	91406-ZE2-003	TUBE, FASTENER, 30MM	1	1	-----	HEA2,HEA8,LXE8,PAE2,PXE8,QAE2,QAE6,QHE4,QXE4,QXE6,QXE8,RHE4,SXEB,SXE4,SXE8,VDE2,VKB2,VME2,VMS2,VXEB,VXE4,VXE6,VXE7,VXE9,WMA4
24	93500-03012-OH	SCREW, PAN, 3X12	2	2	-----	HEA2,HEA8,LXE8,PAE2,PXE8,QAE2,QAE6,QHE4,QXE4,QXE6,QXE8,RHE4,SXEB,SXE4,SXE8,VDE2,VKB2,VME2,VMS2,VXEB,VXE4,VXE6,VXE7,VXE9,WMA4
25	93500-04012-OH	SCREW, PAN, 4X12	1	1	-----	HEA2,HEA8,LXE8,PAE2,PXE8,QAE2,QAE6,QHE4,QXE4,QXE6,QXE8,RHE4,SXEB,SXE4,SXE8,VDE2,VKB2,VME2,VMS2,VXEB,VXE4,VXE6,VXE7,VXE9,WMA4
26	94001-04390-0S	NUT, HEX., 4MM	1 2	- 2	-----	QHE4,RHE4 HEA2,HEA8,LXE8,PAE2,PXE8,QAE2,QAE6,QXE4,QXE6,QXE8,SXEB,SXE4,SXE8,VDE2,VKB2,VME2,VMS2,VXEB,VXE4,VXE6,VXE7,VXE9,WMA4
27	94101-04800	WASHER, PLAIN, 4MM	1	1	-----	HEA2,HEA8,LXE8,PAE2,PXE8,QAE2,QAE6,QXE4,QXE6,QXE8,SXEB,SXE4,SXE8,VDE2,VKB2,VME2,VMS2,VXEB,VXE4,VXE6,VXE7,VXE9,WMA4
28	94111-04800	WASHER, SPRING, 4MM	1	1	-----	HEA2,HEA8,LXE8,PAE2,PXE8,QAE2,QAE6,QHE4,QXE4,QXE6,QXE8,RHE4,SXEB,SXE4,SXE8,VDE2,VKB2,VME2,VMS2,VXEB,VXE4,VXE6,VXE7,VXE9,WMA4
29	98200-30500 98200-31500	FUSE, BLADE (5A) FUSE, BLADE (15A)	1 1	- 1	-----	LXE8,PXE8,QHE4,QXE4,QXE6,QXE8,RHE4,SXEB,SXE4,SXE8,VXEB,VXE4,VXE6,VXE7,VXE9,WMA4 HEA2,HEA8,PAE2,QAE2,QAE6,VDE2,VKB2,VME2,VMS2



# E-23-1

# CONTROL BOX(2)

H16



Ref. No.	L.O.N.	(Relative ref. Number) Description	F.R.T.
1		(6)	
	6131B7	RECTIFIER, REGULATOR .....	0.2
2	6221N7	BOX, ENGINE CONTROL .....	0.1
8		(7)	
	6111D3	HARNESS, SUB WIRE .....	0.2
11	6151K4	ALERT UNIT, ENGINE CONTROL OIL .....	0.2
12	6151E1	SWITCH, COMBINATION .....	0.2
25	8121A7	FUSE, BLADE .....	0.1

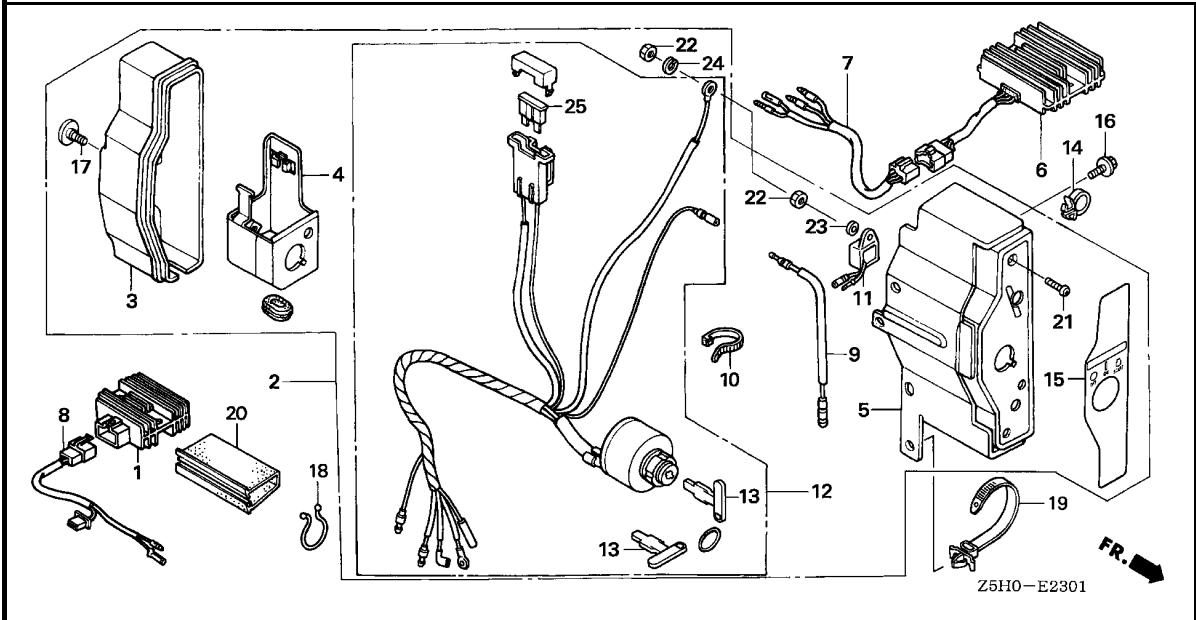
2

Ref. No.	Part No.	Description	Reqd. QTY		Serial No.	Parts catalogue code
			GX 270 U	GX 270 R		
1	31600-ZE2-861	RECTIFIER ASSY., REGULATOR (10A)	1	-	-----	QME2,QSE2,QSE8,QXB6,SME1
2	31610-Z5J-821ZA	BOX ASSY., CONTROL (EXP-ALERT) (10A)	1	-	-----	QME2,QSE2,QSE8,QXB6,SME1
		*R280*.....POWER RED	1	-	-----	QME2,QSC9,QSE2,QSE8,QXB6,SME1
3	31612-ZE2-003	CASE, CONTROL .....	1	-	-----	QME2,QSC9,QSE2,QSE8,QXB6,SME1
4	31614-ZE2-003	BRACKET, CASE MOUNTING .....	1	-	-----	QME2,QSC9,QSE2,QSE8,QXB6,SME1
5	31615-ZE2-003ZG	PANEL COMP., CONTROL *R280*.....POWER RED	1	-	-----	QME2,QSC9,QSE2,QSE8,QXB6,SME1
6	31620-ZG5-013	RECTIFIER ASSY., REGULATOR (20A)	1	-	-----	1173627 QAR2
	31620-ZG5-023	.....	1	-	1173628	QAR2
7	32110-ZE2-W00	HARNESS ASSY., SUB WIRE .....	1	-	-----	QAR2
8	32110-ZE2-860	HARNESS ASSY., SUB WIRE .....	1	-	-----	QME2,QSE2,QSE8,QXB6,SME1
9	32197-ZE1-003	SUB HARNESS .....	1	-	-----	QME2,QSC9,QSE2,QSE8,QXB6,SME1
10	32902-892-003	BAND .....	1	-	-----	QME2,QSC9,QSE2,QSE8,QXB6,SME1
11	34150-ZH7-003	ALERT UNIT, OIL .....	1	-	-----	QSE2,QSE8
		.....	1	-	1185318	QME2,QSC9,QXB6,SME1
	34150-ZH7-013	.....	1	-	1185319	QME2,QSC9,QXB6,SME1
12	35100-ZE2-862	SWITCH ASSY., COMBINATION (10A-CHARGE)	1	-	-----	QME2,QSC9,QSE2,QSE8,QXB6,SME1
13	35111-880-013	KEY COMP. ....	2	-	-----	QME2,QSC9,QSE2,QSE8,QXB6,SME1
14	36103-ZE1-000	HOLDER, STOP SWITCH CORD ....	1	-	-----	QME2,QSC9,QSE2,QSE8,QXB6,SME1
15	87529-Z4S-820	MARK, CONTROL BOX (EXP) .....	1	-	-----	QME2,QSC9,QSE2,QSE8,QXB6,SME1
16	90013-883-000	BOLT, FLANGE, 6X12(CT200) ...	2	-	-----	QME2,QSC9,QSE2,QSE8,QXB6,SME1
17	90380-MA6-010	SCREW, SPECIAL, 6X12 .....	1	-	-----	QME2,QSC9,QSE2,QSE8,QXB6,SME1

# E-23-1

# CONTROL BOX(2)

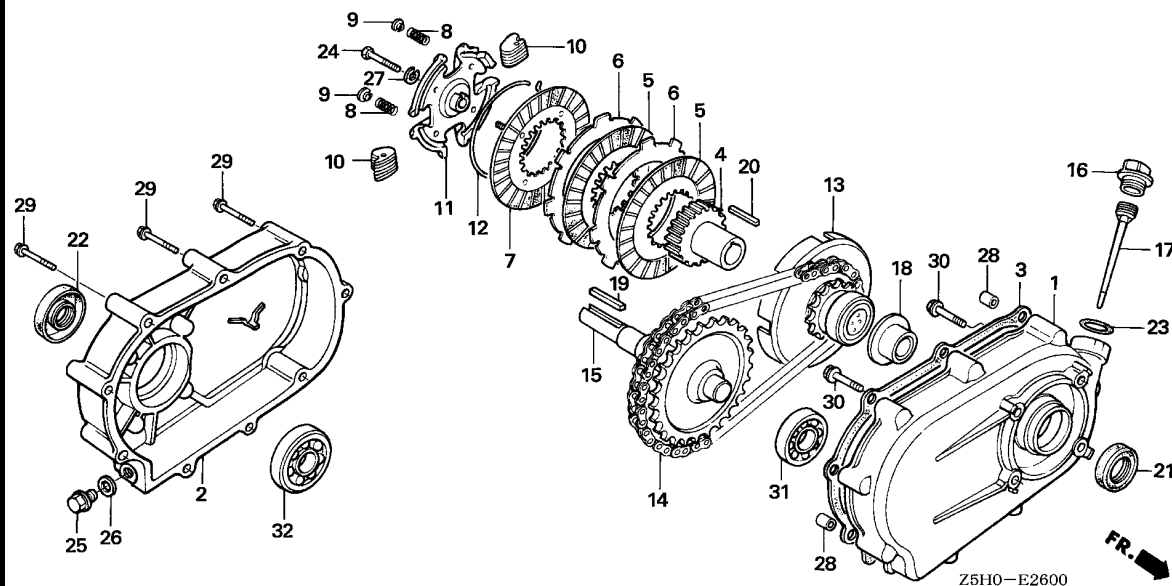
I 1



Ref. No.	Part No.	Description	Reqd. QTY		Serial No.	Parts catalogue code
			GX 270 U	GX 270 R		
18	90630-751-000	CLIP, PURSE LOCK .....	1	-	-----	QME2,QSC9,QSE2,QSE8,QXB6,SME1
19	90672-SAO-003	STRAP, CABLE, 118MM(BLACK) ..	1	-	-----	QME2,QSC9,QSE2,QSE8,QXB6,SME1
20	91406-ZE2-003	TUBE, FASTENER, 30MM .....	1	-	-----	QME2,QSC9,QSE2,QSE8,QXB6,SME1
21	93500-04012-OH	SCREW, PAN, 4X12 .....	1	-	-----	QME2,QSC9,QSE2,QSE8,QXB6,SME1
22	94001-04390-OS	NUT, HEX., 4MM .....	2	-	-----	QME2,QSC9,QSE2,QSE8,QXB6,SME1
23	94101-04800	WASHER, PLAIN, 4MM .....	1	-	-----	QME2,QSC9,QSE2,QSE8,QXB6,SME1
24	94111-04800	WASHER, SPRING, 4MM .....	1	-	-----	QME2,QSC9,QSE2,QSE8,QXB6,SME1
25	98200-31500	FUSE, BLADE (15A) .....	1	-	-----	QME2,QSC9,QSE2,QSE8,QXB6,SME1

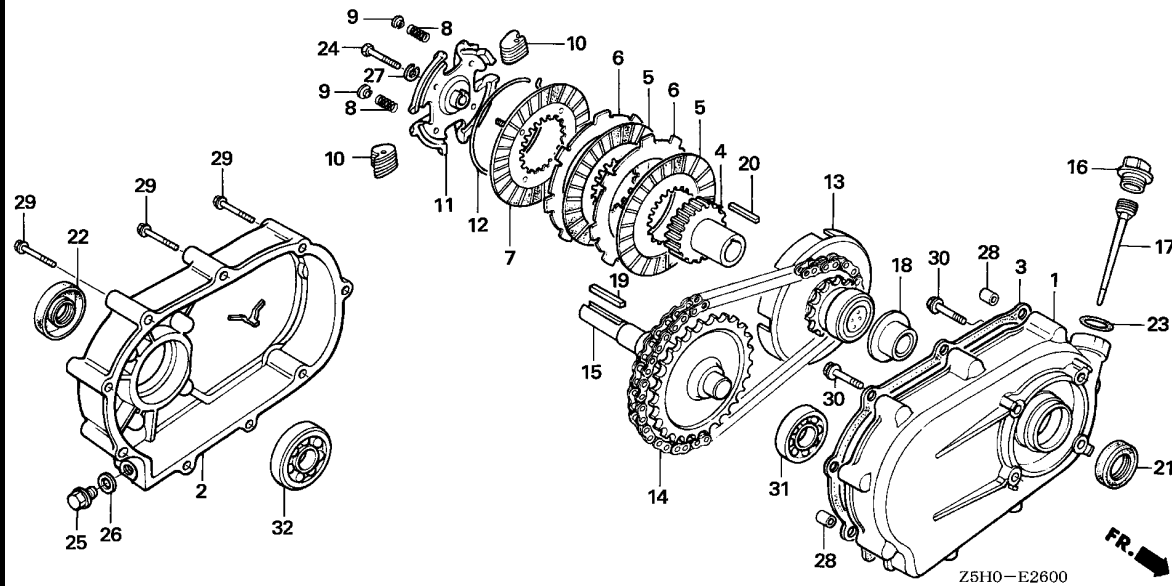
2





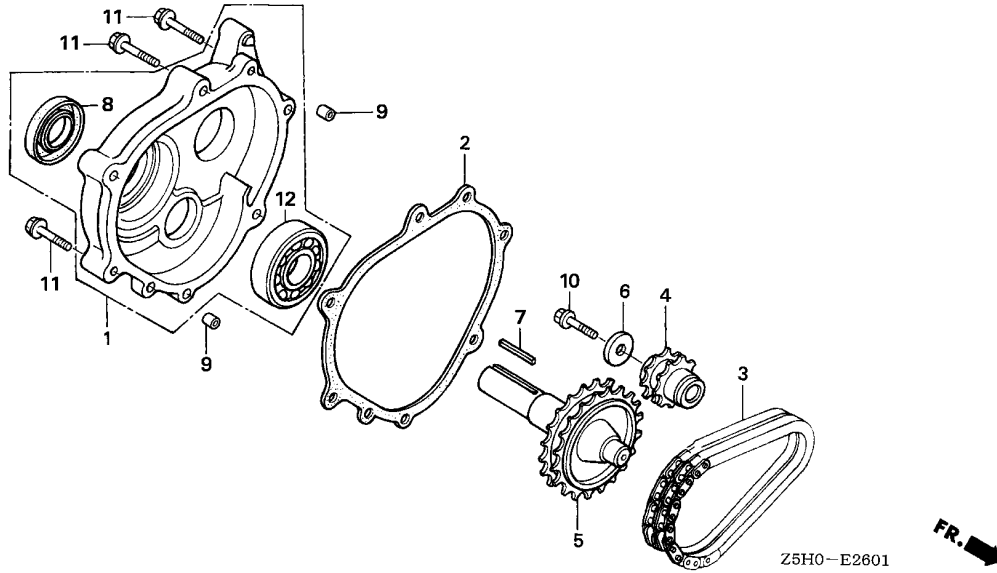
Ref. No.	L.O.N.	(Relative ref. Number) Description	F.R.T.
1	2141Y6	CASE, REDUCTION(R-TYPE) .....	0.3
2	2141R1	COVER, REDUCTION .....	0.3
3	2141R2	PACKING, REDUCTION COVER .....	0.2
5	2141Z0	DISC, REDUCTION CLUTCH FRICTION .....	0.2
6	2141Z1	PLATE, REDUCTION CLUTCH .....	0.2
7	2141Z2	PLATE, REDUCTION CLUTCH PRESSURE .....	0.3
13	2141X1	SPROCKET, POWER TAKE OFF DRIVE CHAIN(R-TYPE) .....	0.3
14	2141W3	CHAIN, POWER TAKE OFF DRIVE (R-TYPE) .....	0.3
15	2141V8	SHAFT, POWER TAKE OFF(R-TYPE)	0.3
21	2141L4	OIL SEAL, POWER TAKE OFF SHAFT :FRONT .....	0.3
22	2141X4	OIL SEAL, POWER TAKE OFF SHAFT (R-TYPE) :REAR .....	0.3
31	2141Y5	BEARING, POWER TAKE OFF SHAFT (R-TYPE) :FRONT .....	0.4
32	2141X9	BEARING, POWER TAKE OFF SHAFT (R-TYPE) :REAR .....	0.4

Ref. No.	Part No.	Description	Reqd. QTY		Serial No.	Parts catalogue code
			GX 270 U	GX 270 R		
1	21510-889-750	CASE, REDUCTION .....	1	1	-----	RA2,RHE4,RHG4,RHQ4,RH26,RSC2,RXQ4,RXU
2	21610-889-750	COVER, REDUCTION .....	1	1	-----	RA2,RHE4,RHG4,RHQ4,RH26,RSC2,RXQ4,RXU
3	21691-889-750	PACKING, REDUCTION COVER .....	1	1	-----	RA2,RHE4,RHG4,RHQ4,RH26,RSC2,RXQ4,RXU
4	22121-889-750	CENTER, CLUTCH .....	1	1	-----	RA2,RHE4,RHG4,RHQ4,RH26,RSC2,RXQ4,RXU
5	22201-822-610	DISK, CLUTCH FRICTION .....	2	2	-----	RA2,RHE4,RHG4,RHQ4,RH26,RSC2,RXQ4,RXU
6	22311-822-610	PLATE, CLUTCH .....	2	2	-----	RA2,RHE4,RHG4,RHQ4,RH26,RSC2,RXQ4,RXU
7	22350-822-610	PLATE COMP., CLUTCH PRESSURE .....	1	1	-----	RA2,RHE4,RHG4,RHQ4,RH26,RSC2,RXQ4,RXU
8	22411-822-611	SPRING, CLUTCH FREE .....	4	4	-----	RA2,RHE4,RHG4,RHQ4,RH26,RSC2,RXQ4,RXU
9	22421-822-610	HOLDER, CLUTCH SPRING .....	4	4	-----	RA2,RHE4,RHG4,RHQ4,RH26,RSC2,RXQ4,RXU
10	22521-822-610	WEIGHT, CLUTCH .....	48	48	-----	RA2,RHE4,RHG4,RHQ4,RH26,RSC2,RXQ4,RXU
11	22531-889-750	HOLDER, CLUTCH WEIGHT .....	1	1	-----	RA2,RHE4,RHG4,RHQ4,RH26,RSC2,RXQ4,RXU
12	22535-822-610	CENTER, CLUTCH WEIGHT .....	1	1	-----	RA2,RHE4,RHG4,RHQ4,RH26,RSC2,RXQ4,RXU
13	23120-889-750	SPROCKET COMP., DRIVE (14T) .....	1	1	-----	RA2,RHE4,RHG4,RHQ4,RH26,RSC2,RXQ4,RXU
14	23161-822-611	CHAIN, DRIVE (RK428SH-36LE) .....	1	1	-----	RA2,RHE4,RHG4,RHQ4,RH26,RSC2,RXQ4,RXU
15	23711-822-610	SHAFT COMP., P.T.O. (28T) .....	1	1	-----	RA2,RHE4,RHG4,RHQ4,RH26,RSC2,RXQ4,RXU
16	25620-805-612	CAP, REDUCTION OIL (GRAY) .....	1	1	-----	RA2,RHE4,RHG4,RHQ4,RH26,RSC2,RXQ4,RXU
17	25651-889-750	GAUGE, OIL LEVEL .....	1	1	-----	RA2,RHE4,RHG4,RHQ4,RH26,RSC2,RXQ4,RXU
18	90403-889-000	WASHER, THRUST, 25MM .....	1	1	-----	RA2,RHE4,RHG4,RHQ4,RH26,RSC2,RXQ4,RXU
19	90741-805-000	KEY, 7X7X33 .....	1	-	-----	RA2,RHE4,RHG4,RHQ4,RH26,RXQ4,RXU
	90741-889-810	KEY, 7X7X33(YELLOW) .....	(1)	(1)	-----	RA2,RHE4,RHG4,RHQ4,RH26,RSC2,RXQ4,RXU
20	90741-889-000	KEY, CLUTCH CENTER .....	1	1	-----	RA2,RHE4,RHG4,RHQ4,RH26,RSC2,RXQ4,RXU
21	91201-890-003	OIL SEAL, 30X46X8 .....	1	1	-----	RA2,RHE4,RHG4,RHQ4,RH26,RSC2,RXQ4,RXU
22	91202-805-610	OIL SEAL (PJ30507) .....	1	-	1121566	RA2,RHE4,RHQ4,RH26,RSC2,RXQ4,RXU



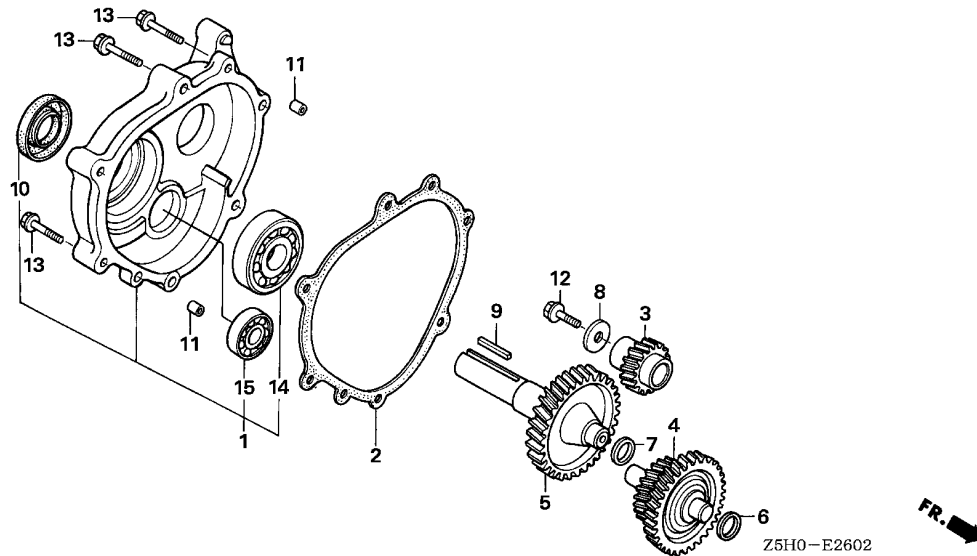
Ref. No.	Part No.	Description	Reqd. QTY		Serial No.	Parts catalogue code
			GX 270 U	GX 270 R		
22)	91202-Z2F-801	OIL SEAL, 30X50X7 .....	1	-	----- RHG4	
			1	-	1121567 -----	RA2,RHE4,RHG4,RHQ4,RH26,RSC2,RXQ4,RXU
			-	1	-----	RSC2
23	91301-805-000	O-RING, 26X2.7 .....	1	1	-----	RA2,RHE4,RHG4,RHQ4,RH26,RSC2,RXQ4,RXU
24	92101-08035-0A	BOLT, HEX., 8X35 .....	1	1	-----	RA2,RHE4,RHG4,RHQ4,RH26,RSC2,RXQ4,RXU
25	92800-12000	BOLT, DRAIN PLUG, 12MM .....	1	1	-----	RA2,RHE4,RHG4,RHQ4,RH26,RSC2,RXQ4,RXU
26	94109-12000	WASHER, DRAIN PLUG, 12MM .....	1	1	-----	RA2,RHE4,RHG4,RHQ4,RH26,RSC2,RXQ4,RXU
27	94111-08800	WASHER, SPRING, 8MM .....	1	1	-----	RA2,RHE4,RHG4,RHQ4,RH26,RSC2,RXQ4,RXU
28	94301-08140	DOWEL PIN, 8X14 .....	2	2	-----	RA2,RHE4,RHG4,RHQ4,RH26,RSC2,RXQ4,RXU
29	95701-06050-08	BOLT, FLANGE, 6X50 .....	9	9	-----	RA2,RHE4,RHG4,RHQ4,RH26,RSC2,RXQ4,RXU
30	95701-08032-08	BOLT, FLANGE, 8X32 .....	4	4	-----	RA2,RHE4,RHG4,RHQ4,RH26,RSC2,RXQ4,RXU
31	96100-62050-00	BEARING, RADIAL BALL, 6205 ..	1	1	-----	RA2,RHE4,RHG4,RHQ4,RH26,RSC2,RXQ4,RXU
32	96100-62060-00	BEARING, RADIAL BALL, 6206 ..	1	1	-----	RA2,RHE4,RHG4,RHQ4,RH26,RSC2,RXQ4,RXU





Ref. No.	L.O.N.	(Relative ref. Number) Description	F.R.T.
1		(2)	
2141W9		COVER, CHAIN CASE AND/OR PACKING, CHAIN CASE COVER (L-TYPE) .....	0.2
3 2141W2		CHAIN, POWER TAKE OFF DRIVE (L-TYPE) .....	0.2
4 2141X0		SPROCKET, POWER TAKE OFF DRIVE CHAIN(L-TYPE) .....	0.2
5 2141V7		SHAFT, POWER TAKE OFF(L-TYPE)	0.2
8 2141X3		OIL SEAL, POWER TAKE OFF SHAFT (L-TYPE) :REAR .....	0.3
12 2141X8		BEARING, POWER TAKE OFF SHAFT (L-TYPE) :REAR .....	0.4

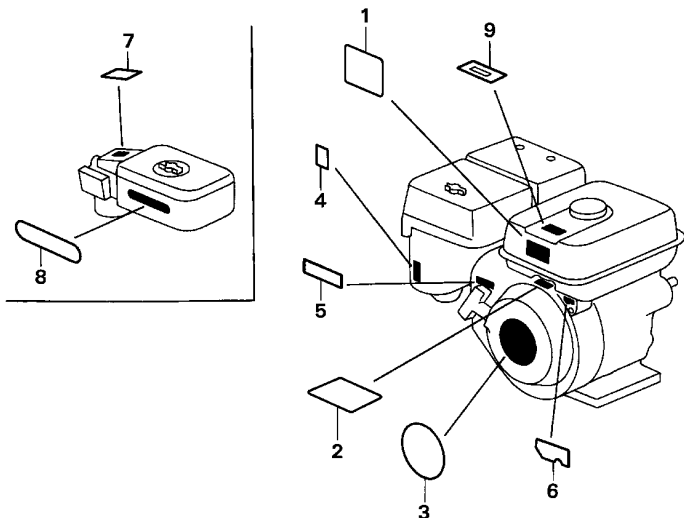
Ref. No.	Part No.	Description	Reqd. QTY		Serial No.	Parts catalogue code
			GX 270 U	GX 270 R		
1	11500-ZE2-610	COVER ASSY., CHAIN CASE .....	1	-	----- LXE8,LXQ4,LXU	
2	11521-ZE2-800	PACKING, CHAIN CASE COVER ...	1	-	----- LXE8,LXQ4,LXU	
3	14411-ZE2-611	CHAIN, P.T.O. DRIVE .....	1	-	----- LXE8,LXQ4,LXU	
4	23110-ZE2-610	SPROCKET, DRIVE (14T) .....	1	-	----- LXE8,LXQ4,LXU	
5	23710-ZE2-610	SHAFT, P.T.O. (28T) .....	1	-	----- LXE8,LXQ4,LXU	
6	90473-842-000	WASHER, 8MM .....	1	-	----- LXE8,LXQ4,LXU	
7	90741-805-000	KEY, 7X7X33 .....	1	-	----- LXE8,LXQ4,LXU	
	90741-889-810	KEY, 7X7X33(YELLOW) .....	(1)	-	----- LXE8,LXQ4,LXU	
8	91201-890-003	OIL SEAL, 30X46X8 .....	1	-	----- LXE8,LXQ4,LXU	
9	94301-08140	DOWEL PIN, 8X14 .....	2	-	----- LXE8,LXQ4,LXU	
10	95701-08025-00	BOLT, FLANGE, 8X25 .....	1	-	----- LXE8,LXQ4,LXU	
11	95701-08040-00	BOLT, FLANGE, 8X40 .....	6	-	----- LXE8,LXQ4,LXU	
12	96100-62060-00	BEARING, RADIAL BALL, 6206 ..	1	-	----- LXE8,LXQ4,LXU	



Ref. No.	L.O.N.	(Relative ref. Number) Description	F.R.T.
1		(2)	
2141W8		COVER, REDUCTION AND/OR PACKING, REDUCTION COVER (H-TYPE) .....	0.2
3	2141L2	GEAR, PRIMARY DRIVE .....	0.2
4	2141Z9	COUNTERSHAFT, REDUCTION (H-TYPE) .....	0.2
5	2141V9	SHAFT, POWER TAKE OFF(H-TYPE)	0.2
10	2141X5	OIL SEAL, POWER TAKE OFF SHAFT (H-TYPE) :REAR .....	0.3
14	2141Y0	BEARING, POWER TAKE OFF SHAFT (H-TYPE) :REAR .....	0.4
15	2141AA	BEARING, REDUCTION COUNTERSHAFT(H-TYPE) :REAR ..	0.4

Ref. No.	Part No.	Description	Reqd. QTY		Serial No.	Parts catalogue code
			GX 270 U	GX 270 R		
1	11500-ZE2-620	COVER ASSY., REDUCTION CASE	1	-	-----	HA2,HEA2,HEA8,HXQ4,HX26,HX8
2	11521-ZE2-800	PACKING, CHAIN CASE COVER	1	-	-----	HA2,HEA2,HEA8,HXQ4,HX26,HX8
3	22103-ZE2-620	GEAR, PRIMARY DRIVE (17T)	1	-	-----	HA2,HEA2,HEA8,HXQ4,HX26,HX8
4	23220-ZE2-621	COUNTERSHAFT COMP.	1	-	-----	HA2,HEA2,HEA8,HXQ4,HX26,HX8
5	23710-ZE2-621	SHAFT, P.T.O. (46T)	1	-	-----	HA2,HEA2,HEA8,HXQ4,HX26,HX8
6	90401-ZE2-620	SHIM A	N	-	-----	HA2,HEA2,HEA8,HXQ4,HX26,HX8
7	90402-ZE2-620	SHIM B	N	-	-----	HA2,HEA2,HEA8,HXQ4,HX26,HX8
8	90473-842-000	WASHER, 8MM	1	-	-----	HA2,HEA2,HEA8,HXQ4,HX26,HX8
9	90745-ZE2-600	KEY, 6.3X6.3X43	1	-	-----	HA2,HEA2,HEA8,HXQ4,HX26,HX8
10	91201-890-003	OIL SEAL, 30X46X8	1	-	-----	HA2,HEA2,HEA8,HXQ4,HX26,HX8
11	94301-08140	DOWEL PIN, 8X14	2	-	-----	HA2,HEA2,HEA8,HXQ4,HX26,HX8
12	95701-08025-00	BOLT, FLANGE, 8X25	1	-	-----	HA2,HEA2,HEA8,HXQ4,HX26,HX8
13	95701-08040-00	BOLT, FLANGE, 8X40	6	-	-----	HA2,HEA2,HEA8,HXQ4,HX26,HX8
14	96100-62060-00	BEARING, RADIAL BALL, 6206	1	-	-----	HA2,HEA2,HEA8,HXQ4,HX26,HX8
15	96100-63020-00	BEARING, RADIAL BALL, 6302	1	-	-----	HA2,HEA2,HEA8,HXQ4,HX26,HX8





Z5H0-E2800

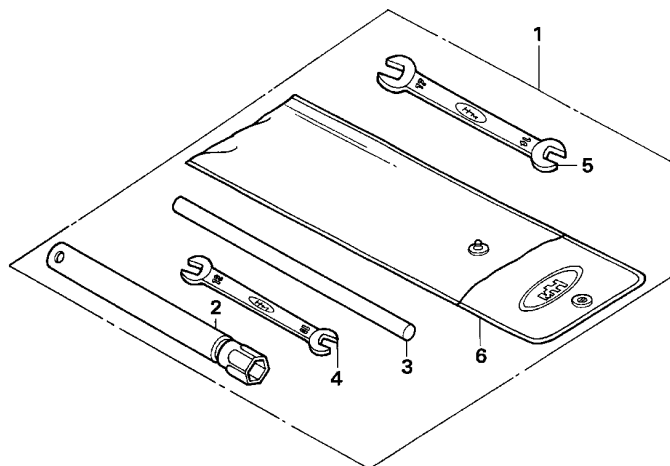
Ref. L.O.N. (Relative ref. Number) F.R.T.  
No. Description

NO INFORMATION .....

Ref. No.	Part No.	Description	Reqd. QTY		Serial No.	Parts catalogue code
			GX 270 U	GX 270 R		
1	87516-ZH7-000	MARK, OPERATOR CAUTION (ENGLISH)(MADE IN JAPAN)	1	-	-----	HA2,HEA2,HEA8,HXQ4,HX26,HX8,LXE8,LXQ4,LXU,PAE2,PA2,PXE8,PXU,PX26,QAE2,QAE6,QAG,QAG2,QAQ4,QAR2,QAW,QA2,QA26,QE,QHE4,QHQ4,QHR,QHR4,QH26,QKE3,QME2,QSC9,QSE2,QSE8,QWH2,QXB,QXB6,QXB7,QXB9,QXC4,QXC6,QXC9,QXE4,QXE6,QXE8,QXQ4,QXU,RA2,RHE4,RHQ4,RH26,RXQ4,RXU,SAX4,SE,SHQ4,SMC4,SME1,SME6,SMX2,SWA4,SBX,SBX7,SBX9,SXB,SXE4,SXE8,SXQ4,SXU,VA2,VKQ4,VME2,VM2,VSD,VSD7,VSD9,VXB,VXB7,VXB9,VXB,VXE4,VXE6,VXE7,VXE9,VXQ4,VXU1,VX2,WMA4,WMT8
	87516-ZH7-810	MARK, OPERATOR CAUTION (PICTOGRAPH)(MADE IN JAPAN)	(1)	-	1187351 -----	QWA4,SWC4
2	87516-ZH7-000	MARK, OPERATOR CAUTION (ENGLISH)(MADE IN JAPAN)	1	1	-----	RHG4,RSC2,VAG2,VDE2,VE39,VKX4,VKX9,VMX2,VNG1,VNT2,VN17,VN19,VPE4,VPE5,VPE7,VPE9,VPX4,VPX5,VPX7,VPX9,VSD3,VSH7,VSH9,VS37,VS39,VWA2,VWN2,VWT4,VW12,VX39
	87516-ZH7-810	MARK, OPERATOR CAUTION (PICTOGRAPH)(MADE IN JAPAN)	(1)	-	-----	RHG4,RSC2,VAG2,VDE2,VE39,VKX4,VKX9,VMX2,VNG1,VNT2,VN17,VN19,VPE4,VPE5,VPE7,VPE9,VPX4,VPX5,VPX7,VPX9,VSD3,VSH7,VSH9,VS37,VS39,VWA2,VWN2,VWT4,VW12,VX39
			-	(1)		

Ref. No.	Part No.	Description	Reqd. QTY		Serial No.	Parts catalogue code
			GX 270 U	GX 270 R		
3	87521-ZH9-030	EMBLEM (GX270 9.0) .....	1	-	1177027	HA2,HEA2,HEA8,HXQ4,HX26,HX8,LXE8,LXQ4,LXU,PAE2,PA2,PXE8,PXU,PX26,QAE2,QAE6,QAG,QAG2,QAQ4,QAR2,QAW,QA2,QA26,QE,QHE4,QHQ4,QHR,QHR4,QH26,QME2,QSC9,QSE2,QSE8,QWA4,QWH2,QXB,QXB6,QXB7,QXB9,QXC4,QXC6,QXC9,QXE4,QXE6,QXE8,QXQ4,QXU,RA2,RHE4,RHQ4,RH26,RSC2,RXQ4,RXU,SAX4,SE,SHQ4,SMC4,SME1,SME6,SMX2,SWA4,SWC4,SBX,SBX7,SBX9,SXEB,SXE4,SXE8,SXQ4,SXU,VAG2,VA2,VDE2,VE39,VKB2,VKE4,VKE9,VKX4,VKX9,VMA4,VME2,VME4,VMS2,VMX2,VM2,VNG1,VNT2,VN17,VN19,VPE4,VPE5,VPE7,VPE9,VPX4,VPX5,VPX7,VPX9,VSD,VSD3,VSD7,VSD9,VSH7,VSH9,VS37,VS39,VWA2,VWN2,VWT4,VW12,VXB,VXB7,VXB9,VXEB,VXE4,VXE6,VXE7,VXE9,VXQ4,VXU1,VX2,VX39,WMA4,WMT8
	87521-ZH9-040	EMBLEM (GX270) .....	1	-	1177028	RHG4,VKQ4 HA2,HEA2,HEA8,HXQ4,HX26,HX8,LXE8,LXQ4,LXU,PAE2,PA2,PXE8,PXU,PX26,QAE2,QAE6,QAG,QAG2,QAQ4,QAR2,QAW,QA2,QA26,QE,QHE4,QHQ4,QHR,QHR4,QH26,QME2,QSC9,QSE2,QSE8,QWA4,QWH2,QXB,QXB6,QXB7,QXB9,QXC4,QXC6,QXC9,QXE4,QXE6,QXE8,QXQ4,QXU,RA2,RHE4,RHQ4,RH26,RSC2,RXQ4,RXU,SAX4,SE,SHQ4,SMC4,SME1,SME6,SMX2,SWA4,SWC4,SBX,SBX7,SBX9,SXEB,SXE4,SXE8,SXQ4,SXU,VAG2,VA2,VDE2,VE39,VKB2,VKE4,VKE9,VKX4,VKX9,VMA4,VME2,VME4,VMS2,VMX2,VM2,VNG1,VNT2,VN17,VN19,VPE4,VPE5,VPE7,VPE9,VPX4,VPX5,VPX7,VPX9,VSD,VSD3,VSD7,VSD9,VSH7,VSH9,VS37,VS39,VWA2,VWN2,VWT4,VW12,VXB,VXB7,VXB9,VXEB,VXE4,VXE6,VXE7,VXE9,VXQ4,VXU1,VX2,VX39,WMA4,WMT8
4	87528-ZH7-000	MARK, CHOKE (GRAY) .....	-	1		HA2,HEA2,HEA8,HXQ4,HX26,HX8,LXE8,LXQ4,LXU,PAE2,PA2,PXE8,PXU,PX26,QAE2,QAE6,QAG,QAG2,QAQ4,QAR2,QAW,QA2,QA26,QE,QHE4,QHQ4,QHR,QHR4,QH26,QME2,QSC9,QSE2,QSE8,QWH2,QXB,QXB6,QXB7,QXB9,QXC4,QXC6,QXC9,QXE4,QXE6,QXE8,QXQ4,QXU,RA2,RHE4,RHG4,RHQ4,RH26,RSC2,RXQ4,RXU,SAX4,SE,SHQ4,SMC4,SME1,SME6,SMX2,SWA4,SBX,SBX7,SBX9,SXEB,SXE4,SXE8,SXQ4,SXU,VAG2,VA2,VDE2,VKB2,VKQ4,VMA4,VME2,VME4,VM2,VNG1,VNT2,VN17,VN19,VSD,VSD7,VSD9,VSH7,VSH9,VWA2,VWN2,VWT4,VW12,VXB,VXB7,VXB9,VXEB,VXE4,VXE6,VXE7,VXE9,VXQ4,VXU1,VX2,WMA4,WMT8
			1	-	1187351	QWA4,SWC4
5	87532-ZH7-000	MARK, THROTTLE INDICATION ...	-	1		HA2,HEA2,HEA8,HXQ4,HX26,HX8,LXE8,LXQ4,LXU,PAE2,PA2,PXE8,PXU,PX26,QAE2,QAE6,QAG,QAG2,QAQ4,QAR2,QAW,QA2,QA26,QE,QHE4,QHQ4,QHR,QHR4,QH26,QKE3,QME2,QSC9,QSE2,QSE8,QWH2,QXB,QXB6,QXB7,QXB9,QXC4,QXC6,QXC9,QXE4,QXE6,QXE8,QXQ4,QXU,RA2,RHE4,RHG4,RHQ4,RH26,RSC2,RXQ4,RXU,SAX4,SE,SHQ4,SMC4,SME1,SME6,SMX2,SWA4,SBX,SBX7,SBX9,SXEB,SXE4,SXE8,SXQ4,SXU,VAG2,VA2,VDE2,VKQ4,VMA4,VME2,VME4,VM2,VNG1,VN17,VN19,VWN2,VXB,VXB7,VXB9,VXEB,VXE4,VXE6,VXE7,VXE9,VXQ4,VX2,WMA4,WMT8
			1	-	1187351	QWA4,SWC4
6	87532-ZH9-W41	MARK, ENGINE SWITCH .....	1	-		VSD3,VS37,VS39
7	87534-ZE1-841	LABEL, AIR CLEANER CAUTION ..	1	-		QSC9,QWH2,QXC6,QXC9
			1	-	1187351	QWA4
8	87535-ZE1-841	MARK, AIR CLEANER SALES POINT	1	-		QSC9,QWA4,QWH2,QXC4,QXC6,QXC9,VMA4,VME4
9	87565-ZE2-810	MARK, FUEL INDICATION (ENGLISH)	1	-		QKE3,QKE4,QSC9,VKQ4



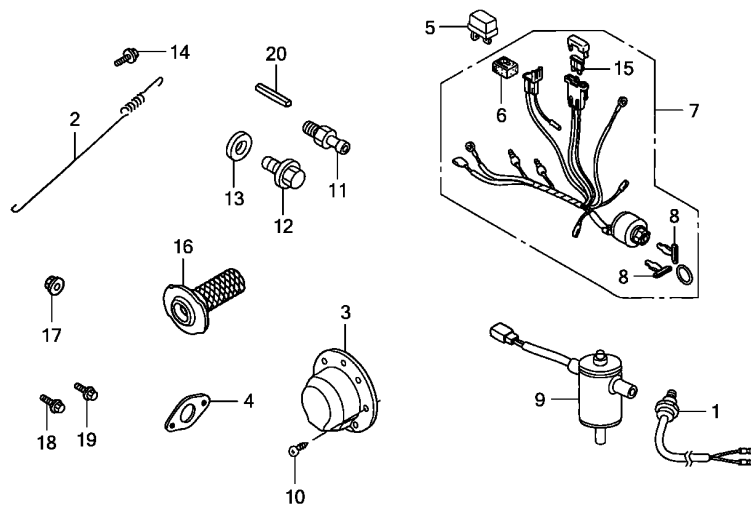


Z5H0-E2900

Ref. No.	L.O.N.	(Relative ref. Number) Description	F.R.T.
----------	--------	------------------------------------	--------

NO INFORMATION .....

Ref. No.	Part No.	Description	Reqd. QTY		Serial No.	Parts catalogue code
			GX 270 U	GX 270 R		
1	89000-ZE1-000	TOOL KIT .....	1	-	-----	VKQ4,WMA4,WMT8
2	89218-ZE1-000	WRENCH COMP., SPARK PLUG .....	1	1	-----	QSC9,SMC4,SMX2,VDE2,VKE4,VKE9,VKQ4,VKX4,VKX9,WMA4,WMT8
			(1)	(1)	-----	HA2,HEA2,HEA8,PAE2,PA2,QAE2,QAE6,QAG,QAG2,QAQ4,QAR2,QAW,QA2,QA26,QE
					-----	RA2,RSC2,SE,VAG2,VA2,VKB2,VME2,VM2,VNG1,VNT2,VN17,VN19,VWA2,VWN2,VW12
3	89219-805-000	HANDLE, BOX WRENCH .....	1	-	-----	VKQ4,WMA4,WMT8
4	99001-10120	SPANNER, 10X12 .....	1	-	-----	VKQ4,WMA4,WMT8
5	99001-14170	SPANNER, 14X17 .....	1	-	-----	VKQ4,WMA4,WMT8
6	99008-02300	BAG, TOOL, 230MM .....	1	-	-----	VKQ4,WMA4,WMT8



Z5H0E4000C

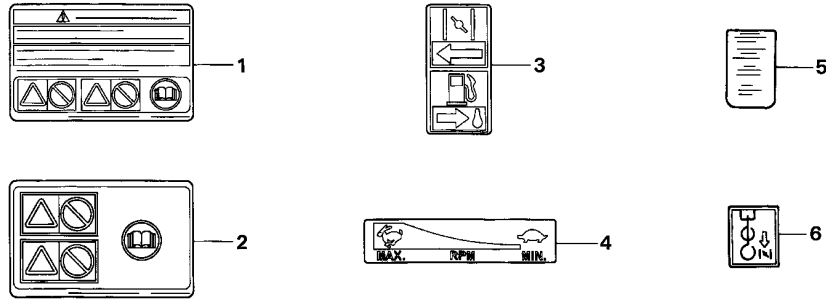
Ref. (Relative ref. Number)  
No. L.O.N. Description F.R.T.

NO INFORMATION .....

Ref. No.	Part No.	Description	Reqd. QTY		Serial No.	Parts catalogue code
			GX 270 U	GX 270 R		
1	16500-ZE2-702	SWITCH, THERMO .....	1	-	-----	VKE4, VKE9
2	16561-ZE2-A00 16561-ZH9-U30	SPRING, GOVERNOR .....	1	-	-----	VXB7, VXB9, VXE7, VXE9
3	18331-ZE2-810	CAP, MUFFLER .....	1	-	-----	VE39, VPE5, VPE9, VPX5, VPX9, VX39
4	18333-ZE3-800	GASKET, EX. PIPE .....	1	-	-----	QWA4, SAX4, VAG2, VKQ4, VMA4, VME4, VNT2
5	31700-124-008	RECTIFIER ASSY., SILICON (SHINDENGEN)	1	-	-----	RHG4, VMS2, VMX2, VPE5, VPE9, VPX5, VPX9, VWT4
6	32127-738-700	SUSPENSION, COUPLER .....	1	-	-----	VE39, VKE4, VKE9
7	35100-ZE2-842	SWITCH ASSY., COMBINATION (3A-CHARGE)	1	-	-----	VKE4, VKE9
	35100-ZE2-023	SWITCH ASSY., COMBINATION .....	1	-	-----	VE39
8	35111-880-013	KEY COMP. ....	2	-	-----	VE39, VKE4, VKE9
9	36170-ZB4-003	VALVE ASSY., SOLENOID .....	1	-	-----	VKE4, VKE9
10	90055-ZE1-000	SCREW, TAPPING, 4X6 .....	3	-	-----	QWA4, SAX4, VAG2, VKQ4, VMA4, VME4, VNT2
11	90131-ZE3-790	PLUG, OIL DRAIN .....	1	-	-----	SMX2
12	92800-12000	BOLT, DRAIN PLUG, 12MM .....	1	-	-----	SMX2
13	94109-12000	WASHER, DRAIN PLUG, 12MM .....	1	-	-----	SMX2
14	95701-06012-00	BOLT, FLANGE, 6X12 .....	8	-	-----	VE39, VKE4, VKE9, VKX4, VKX9, VX39
15	98200-31500	FUSE, BLADE (15A) .....	1	-	-----	VKE4, VKE9
	98200-30500	FUSE, BLADE (5A) .....	1	-	-----	VE39
16	18355-ZE2-W00	ARRESTER, SPARK .....	1	-	-----	VPE9, VPX9
17	94050-08000	NUT, FLANGE, 8MM .....	2	-	-----	RHG4, VPE9, VPX9
18	95701-08020-08	BOLT, FLANGE, 8X20 .....	2	-	-----	VE39, VKE4, VKE9, VKX4, VKX9, VX39
19	95701-08016-08	BOLT, FLANGE, 8X16 .....	2	-	-----	VE39, VKE4, VKE9, VKX4, VKX9, VX39
20	90741-889-810	KEY, 7X7X33(YELLOW) .....	1	-	-----	RHG4







Z5H0-E4001A

Ref. L.O.N. (Relative ref. Number) F.R.T.  
No. Description

NO INFORMATION .....

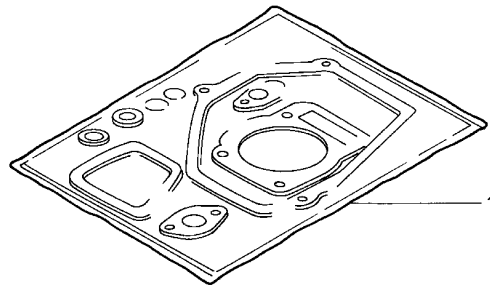
2

Ref. No.	Part No.	Description	Reqd. QTY		Serial No.	Parts catalogue code
			GX 270 U	GX 270 R		
1	87516-ZH7-000	MARK, OPERATOR CAUTION (ENGLISH)(MADE IN JAPAN)	1	1	-----	QKE4,VKB2,VKE4,VKE9,VMA4,VME4,VMS2
	87516-ZH7-800	MARK, OPERATOR CAUTION (FRENCH)(MADE IN JAPAN)	1	-	-----	1187350 QWA4,SWC4
2	87516-ZH7-810	MARK, OPERATOR CAUTION (PICTOGRAPH)(MADE IN JAPAN)	1	1		
3	87528-ZH7-000	MARK, CHOKE (GRAY) .....	1	-	-----	QKE4
			1	-	-----	1027135 VKE4,VKX4,VMS2,VMX2,VPE4,VPE5,VPE7,VPX4,VPX5,VPX7,VSD3,VS37
			1	-	-----	1187350 QWA4,SWC4
4	87532-ZH7-000	MARK, THROTTLE INDICATION ...	1	-	-----	QKE4
			1	-	-----	1187350 QWA4,SWC4
5	87534-ZE1-841	LABEL, AIR CLEANER CAUTION ..	1	-	-----	VMA4,VME4
			1	-	-----	1187350 QWA4
6	87528-898-620	MARK, CHOKE .....	1	-	-----	VE39,VKE9,VKX9,VPE9,VPX9,VS39,VX39
			1	-	1027136	----- VKE4,VKX4,VMS2,VMX2,VPE4,VPE5,VPE7,VPX4,VPX5,VPX7,VSD3,VS37

EOP-1

GASKET KIT

I11



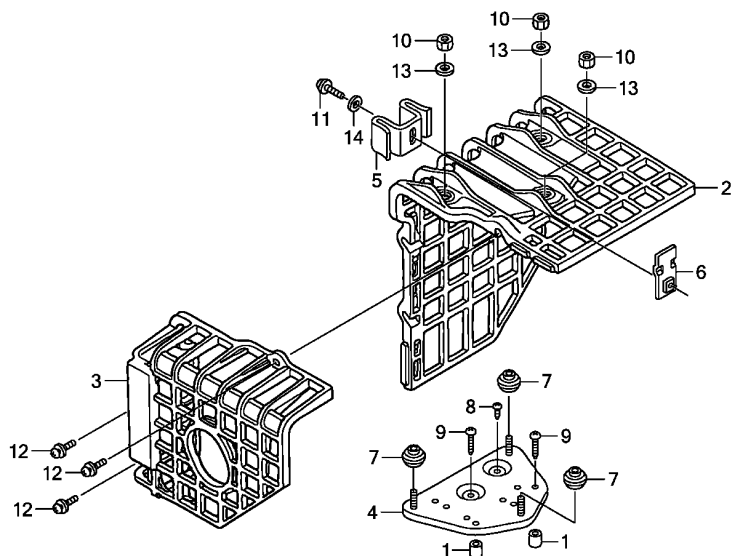
HENG-X0003

Ref. No.	L.O.N.	(Relative ref. Number) Description	F.R.T.
----------	--------	---------------------------------------	--------

NO INFORMATION .....

Ref. No.	Part No.	Description	Reqd. QTY		Serial No.	Parts catalogue code
			GX 270 U	GX 270 R		
1	06111-ZK9-S01	GASKET KIT .....	1	-	----- VNT2	

2



Ref. No.	L.O.N.	(Relative ref. Number) Description	F.R.T.
2	3131A7	COVER, EXHAUST MUFFLER .....	0.1
3	3131A6	COVER, EXHAUST MUFFLER :REAR .	0.1
4	3131A2	BASE, EXHAUST MUFFLER COVER ..	0.2

Ref. No.	Part No.	Description	Reqd. QTY		Serial No.	Parts catalogue code
			GX 270 U	GX 270 R		
1	17233-896-701	COLLAR, AIR CLEANER CASE ....	(2)	-	-----	HXQ4, LXQ4, QAQ4, QE, QHE4, QHQ4, QHR, QHR4, QKE3, QKE4, QME2, QWA4, QXB, QXB7, QXB9, QXC4, QXE4, QXQ4, RHE4, RHG4, RHQ4, RXQ4, SAX4, SE, SHQ4, SMC4, SME1, SME6, SWA4, SWC4, SXB, SXB7, SXB9, SXEB, SXE4, SXQ4, VKQ4, VMA4, VME4, VNG1, VN17, VN19, VPE4, VPE7, VPX4, VPX7, VSD, VSD3, VSD7, VSD9, VSH7, VSH9, VS37, VXB, VXB7, VXB9, VXEB, VXE4, VXE7, VXE9, VXQ4, WMA4
2	18433-ZF6-W40	COVER COMP., MUFFLER .....	(1)	-	-----	HXQ4, LXQ4, QE, QKE3, QKE4, QME2, QWA4, QXB, QXB7, QXB9, QXC4, QXE4, QXQ4, RXQ4, SAX4, SE, SMC4, SME1, SME6, SWA4, SWC4, SXB, SXB7, SXB9, SXEB, SXE4, SXQ4, VMA4, VME4, VNG1, VN17, VN19, VPE4, VPE7, VPX4, VPX7, VSD, VSD3, VSD7, VSD9, VSH7, VSH9, VS37, VXB, VXB7, VXB9, VXEB, VXE4, VXE7, VXE9, VXQ4
3	18433-ZK9-W40 18434-ZF6-W40	COVER COMP., RR. MUFFLER ....	(1)	-	-----	QAQ4, QHE4, QHQ4, QHR, QHR4, RHE4, RHG4, RHQ4, SHQ4, VKQ4, WMA4
4	18434-ZK9-W40 18436-ZH8-W40	BASE COMP., MUFFLER COVER ...	(1)	-	-----	HXQ4, LXQ4, QAQ4, QE, QHE4, QHQ4, QHR, QHR4, QKE3, QKE4, QME2, QWA4, QXB, QXB7, QXB9, QXC4, QXE4, QXQ4, RHE4, RHG4, RHQ4, RXQ4, SAX4, SE, SHQ4, SMC4, SME1, SME6, SWA4, SWC4, SXB, SXB7, SXB9, SXEB, SXE4, SXQ4, VKQ4, VMA4, VME4, VNG1, VN17, VN19, VPE4, VPE7, VPX4, VPX7, VSD, VSD3, VSD7, VSD9, VSH7, VSH9, VS37, VXB, VXB7, VXB9, VXEB, VXE4, VXE7, VXE9, VXQ4, WMA4
5	18437-ZF6-W40	STAY, MUFFLER COVER .....	(1)	-	-----	HXQ4, LXQ4, QAQ4, QE, QHE4, QHQ4, QHR, QHR4, QKE3, QKE4, QME2, QWA4, QXB, QXB7, QXB9, QXC4, QXE4, QXQ4, RHE4, RHG4, RHQ4, RXQ4, SAX4, SE, SHQ4, SMC4, SME1, SME6, SWA4, SWC4, SXB, SXB7, SXB9, SXEB, SXE4, SXQ4, VKQ4, VMA4, VME4, VNG1, VN17, VN19, VPE4, VPE7, VPX4, VPX7, VSD, VSD3, VSD7, VSD9, VSH7, VSH9, VS37, VXB, VXB7, VXB9, VXEB, VXE4, VXE7, VXE9, VXQ4, WMA4

Ref. No.	Part No.	Description	Reqd. QTY		Serial No.	Parts catalogue code
			GX 270 U	GX 270 R		
6	18438-ZF6-W40	PLATE, SET .....	(1)	-		HXQ4, LXQ4, QAQ4, QE, QHE4, QHQ4, QHR, QHR4, QKE3, QKE4, QME2, QWA4, QXB, QXB7, QXB9, QXC4, QXE4, QXQ4, RHE4, RHG4, RHQ4, RXQ4, SAX4, SE, SHQ4, SMC4, SME1, SME6, SWA4, SWC4, SXB, SXB7, SXB9, SXEB, SXE4, SXQ4, VKQ4, VMA4, VME4, VNG1, VN17, VN19, VPE4, VPE7, VPX4, VPX7, VSD, VSD3, VSD7, VSD9, VSH7, VSH9, VS37, VXB, VXB7, VXB9, VXEB, VXE4, VXE7, VXE9, VXQ4, WMA4
7	18466-ZH8-W40	SPACER, MUFFLER COVER .....	(3)	-		HXQ4, LXQ4, QAQ4, QE, QHE4, QHQ4, QHR, QHR4, QKE3, QKE4, QME2, QWA4, QXB, QXB7, QXB9, QXC4, QXE4, QXQ4, RHE4, RHG4, RHQ4, RXQ4, SAX4, SE, SHQ4, SMC4, SME1, SME6, SWA4, SWC4, SXB, SXB7, SXB9, SXEB, SXE4, SXQ4, VKQ4, VMA4, VME4, VNG1, VN17, VN19, VPE4, VPE7, VPX4, VPX7, VSD, VSD3, VSD7, VSD9, VSH7, VSH9, VS37, VXB, VXB7, VXB9, VXEB, VXE4, VXE7, VXE9, VXQ4, WMA4
8	90050-ZE1-000	SCREW, TAPPING, 5X8 .....	(1)	-		HXQ4, LXQ4, QAQ4, QE, QHE4, QHQ4, QHR, QHR4, QKE3, QKE4, QME2, QWA4, QXB, QXB7, QXB9, QXC4, QXE4, QXQ4, RHE4, RHG4, RHQ4, RXQ4, SAX4, SE, SHQ4, SMC4, SME1, SME6, SWA4, SWC4, SXB, SXB7, SXB9, SXEB, SXE4, SXQ4, VKQ4, VMA4, VME4, VNG1, VN17, VN19, VPE4, VPE7, VPX4, VPX7, VSD, VSD3, VSD7, VSD9, VSH7, VSH9, VS37, VXB, VXB7, VXB9, VXEB, VXE4, VXE7, VXE9, VXQ4, WMA4
9	90050-ZH8-W40	SCREW, TAPPING, 5X25 .....	(2)	-		HXQ4, LXQ4, QAQ4, QE, QHE4, QHQ4, QHR, QHR4, QKE3, QKE4, QME2, QWA4, QXB, QXB7, QXB9, QXC4, QXE4, QXQ4, RHE4, RHG4, RHQ4, RXQ4, SAX4, SE, SHQ4, SMC4, SME1, SME6, SWA4, SWC4, SXB, SXB7, SXB9, SXEB, SXE4, SXQ4, VKQ4, VMA4, VME4, VNG1, VN17, VN19, VPE4, VPE7, VPX4, VPX7, VSD, VSD3, VSD7, VSD9, VSH7, VSH9, VS37, VXB, VXB7, VXB9, VXEB, VXE4, VXE7, VXE9, VXQ4, WMA4
10	90302-KF9-900	NUT, HEX., 5MM .....	(3)	-		HXQ4, LXQ4, QAQ4, QE, QHE4, QHQ4, QHR, QHR4, QKE3, QKE4, QME2, QWA4, QXB, QXB7, QXB9, QXC4, QXE4, QXQ4, RHE4, RHG4, RHQ4, RXQ4, SAX4, SE, SHQ4, SMC4, SME1, SME6, SWA4, SWC4, SXB, SXB7, SXB9, SXEB, SXE4, SXQ4, VKQ4, VMA4, VME4, VNG1, VN17, VN19, VPE4, VPE7, VPX4, VPX7, VSD, VSD3, VSD7, VSD9, VSH7, VSH9, VS37, VXB, VXB7, VXB9, VXEB, VXE4, VXE7, VXE9, VXQ4, WMA4
11	93891-05012-00	SCREW-WASHER, 5X12 .....	(1)	-		HXQ4, LXQ4, QAQ4, QE, QHE4, QHQ4, QHR, QHR4, QKE3, QKE4, QME2, QWA4, QXB, QXB7, QXB9, QXC4, QXE4, QXQ4, RHE4, RHG4, RHQ4, RXQ4, SAX4, SE, SHQ4, SMC4, SME1, SME6, SWA4, SWC4, SXB, SXB7, SXB9, SXEB, SXE4, SXQ4, VKQ4, VMA4, VME4, VNG1, VN17, VN19, VPE4, VPE7, VPX4, VPX7, VSD, VSD3, VSD7, VSD9, VSH7, VSH9, VS37, VXB, VXB7, VXB9, VXEB, VXE4, VXE7, VXE9, VXQ4, WMA4
12	93891-06020-07	SCREW-WASHER, 6X20 .....	(3)	-		HXQ4, LXQ4, QAQ4, QE, QHE4, QHQ4, QHR, QHR4, QKE3, QKE4, QME2, QWA4, QXB, QXB7, QXB9, QXC4, QXE4, QXQ4, RHE4, RHG4, RHQ4, RXQ4, SAX4, SE, SHQ4, SMC4, SME1, SME6, SWA4, SWC4, SXB, SXB7, SXB9, SXEB, SXE4, SXQ4, VKQ4, VMA4, VME4, VNG1, VN17, VN19, VPE4, VPE7, VPX4, VPX7, VSD, VSD3, VSD7, VSD9, VSH7, VSH9, VS37, VXB, VXB7, VXB9, VXEB, VXE4, VXE7, VXE9, VXQ4, WMA4
13	94103-05700	WASHER, PLAIN, 5MM .....	(3)	-		HXQ4, LXQ4, QAQ4, QE, QHE4, QHQ4, QHR, QHR4, QKE3, QKE4, QME2, QWA4, QXB, QXB7, QXB9, QXC4, QXE4, QXQ4, RHE4, RHG4, RHQ4, RXQ4, SAX4, SE, SHQ4, SMC4, SME1, SME6, SWA4, SWC4, SXB, SXB7, SXB9, SXEB, SXE4, SXQ4, VKQ4, VMA4, VME4, VNG1, VN17, VN19, VPE4, VPE7, VPX4, VPX7, VSD, VSD3, VSD7, VSD9, VSH7, VSH9, VS37, VXB, VXB7, VXB9, VXEB, VXE4, VXE7, VXE9, VXQ4, WMA4
14	94111-05000	WASHER, SPRING, 5MM .....	(1)	-		HXQ4, LXQ4, QAQ4, QE, QHE4, QHQ4, QHR, QHR4, QKE3, QKE4, QME2, QWA4, QXB, QXB7, QXB9, QXC4, QXE4, QXQ4, RHE4, RHG4, RHQ4, RXQ4, SAX4, SE, SHQ4, SMC4, SME1, SME6, SWA4, SWC4, SXB, SXB7, SXB9, SXEB, SXE4, SXQ4, VKQ4, VMA4, VME4, VNG1, VN17, VN19, VPE4, VPE7, VPX4, VPX7, VSD, VSD3, VSD7, VSD9, VSH7, VSH9, VS37, VXB, VXB7, VXB9, VXEB, VXE4, VXE7, VXE9, VXQ4, WMA4



# PART NO. INDEX

J 1

Part Number	Address	Page	Ref.	Part Number	Address	Page	Ref.	Part Number	Address	Page	Ref.	Part Number	Address	Page	Ref.
06000				13013-ZE8-601	E3	47	1		D10	38	5		F8	68	9
				13013-ZE8-602	E4	48	1		D11	39	5		F11	71	9
06111-ZK9-S01	I11	119	1	13101-ZH9-000	E5	49	2		D13	41	4	16148-141-881	F8	68	10
				13101-ZH9-010	E5	49	2		D15	43	4		F11	71	10
11000				13102-ZH9-000	E5	49	2	15600-ZG4-003	D7	35	3	16166-ZH9-000	F3	63	11
				13102-ZH9-010	E5	49	2		D10	38	4	16166-ZH9-820	F3	63	11
11300-ZE2-020	D7	35	1	13103-ZH9-000	E5	49	2		D11	39	4		F8	68	11
11300-ZE2-602	D7	35	1	13103-ZH9-010	E5	49	2		D13	41	3		F11	71	11
11300-ZE2-612	D10	38	1	13104-ZH9-000	E5	49	2		D15	43	3	16166-ZH9-W00	F2	62	11
11300-ZE2-622	D10	38	2	13104-ZH9-010	E5	49	2	15625-ZE1-003	D8	36	5	16166-ZH9-W20	F3	63	11
11300-ZE2-632	D7	35	1	13111-ZE2-000	E5	49	3		D10	38	6	16172-ZE3-W10	F3	63	12
11300-ZH9-S50	D7	35	1	13200-ZE2-010	E5	49	4		D11	39	6		F9	69	12
11300-ZK9-U60	D11	39	1	13200-ZE2-305	E5	49	4		D13	41	5		F11	71	12
11381-ZE2-801	D7	35	2	13310-ZH9-010	D16	44	1		D15	43	5	16173-001-004	F3	63	13
	D10	38	3	13310-ZH9-601	D16	44	2	15721-ZB4-000	G2	78	1	16211-ZE2-000	F3	63	14
	D11	39	2	13310-ZH9-611	D16	44	3					F11	71	13	
	D13	41	1	13310-ZH9-631	D16	44	4	16000				F3	63	15	
	D15	43	1	13310-ZH9-651	D16	44	5					F9	69	13	
11400-ZE2-030	D13	41	2	13310-ZH9-671	D16	44	6	16010-ZE2-015	E16	60	1	16211-ZE2-700	F3	63	15
11400-ZE2-603	D13	41	2	13310-ZH9-701	D16	44	7	16010-ZE2-812	E16	60	1	16220-ZA0-702	F3	63	16
11400-ZE2-623	D15	43	2	13310-ZH9-801	D16	44	1	16010-ZE3-701	F11	71	1	16221-ZA0-800	F3	63	17
11400-ZE2-671	D11	39	3	13310-ZH9-811	D16	44	2	16010-ZF5-900	F8	68	1		F9	69	14
11500-ZE2-610	I4	112	1	13310-ZH9-821	D16	44	3	16011-ZA0-931	E16	60	2		F11	71	15
11500-ZE2-620	I5	113	1	13310-ZH9-831	D16	44	5		F8	68	2	16223-ZA0-800	F4	64	18
11521-ZE2-800	I4	112	2	13310-ZH9-841	D16	44	6		F11	71	2		F9	69	15
	I5	113	2	13310-ZK9-010	D16	44	1	16013-ZA0-931	F1	61	3		F11	71	16
12000				13310-ZK9-601	D16	44	2		F8	68	3	16230-ZE3-701	F11	71	17
				13310-ZK9-801	D16	44	6		F11	71	3	16252-ZA1-010	H12	104	1
				13351-ZE2-010	D16	44	8	16015-ZA0-931	F11	71	4	16260-ZE2-722	F9	69	16
12000-ZH9-405	D4	32	1					16015-ZE8-005	F1	61	4		F11	71	18
12000-ZH9-406	D4	32	1	14000					F8	68	4	16260-ZE2-723	F9	69	16
12000-ZH9-407	D4	32	1					16016-ZH7-W01	F1	61	5	16260-ZE3-D21	F9	69	16
12000-ZH9-408	D4	32	1					16016-ZH8-W01	F1	61	5	16260-ZE3-D22	F9	69	16
12000-ZH9-409	D4	32	1	14100-ZE3-020	E6	50	2		F8	68	5	16260-ZF6-U70	F11	71	19
12000-ZH9-Q00	D4	32	1	14100-ZH9-010	E6	50	2		F11	71	5	16261-ZE2-702	F9	69	17
12000-ZH9-Q10	D4	32	1	14100-ZK3-870	E6	50	2	16024-124-760	F11	71	6		F11	71	20
12200-ZH9-405	D1	29	1	14100-ZK3-880	E6	50	2	16024-124-761	F11	71	6	16262-ZE2-711	F9	69	18
12204-ZE2-306	D1	29	2	14100-ZK9-870	E6	50	2	16024-ZE1-811	F1	61	6		F11	71	21
12205-ZE2-305	D1	29	3	14100-ZK9-880	E6	50	2		F8	68	6	16263-ZA0-000	F9	69	19
12209-ZE8-003	E6	50	1	14410-ZE2-013	E6	50	3	16028-ZA0-931	F11	71	7		F12	72	22
12216-ZE2-300	D1	29	4	14411-ZE2-611	I4	112	3	16028-ZE0-005	F1	61	7	16264-ZE2-701	F9	69	20
12251-ZH9-000	D1	29	5	14431-ZE2-010	E6	50	4		F8	68	7		F12	72	23
12310-ZE2-020	D1	29	6	14441-ZE2-000	E6	50	5	16044-ZE2-005	F1	61	8	16265-ZE2-721	F9	69	21
12310-ZE3-791	D1	29	6	14451-ZE1-013	E6	50	6	16100-Z5H-V01	F8	68	8		F12	72	24
12315-ZE3-840	D1	29	7	14568-ZE1-000	E6	50	7	16100-Z5H-V02	F8	68	8	16268-893-000	H12	104	2
12391-ZE2-020	D1	29	8	14711-ZE2-000	E6	50	8	16100-Z5J-V11	F11	71	8	16268-ZE2-721	F9	69	22
				14721-ZE2-000	E6	50	9	16100-Z5J-V12	F11	71	8		F12	72	25
13000				14751-ZE2-003	E6	50	10	16100-ZH9-802	F2	62	9	16269-ZA0-800	F9	69	23
				14771-ZE2-000	E6	50	11	16100-ZH9-812	F2	62	9		F12	72	26
13010-Z5H-004	E4	48	1	14773-ZE2-000	E6	50	12	16100-ZH9-822	F2	62	9	16270-ZB4-010	H12	104	3
13010-ZE8-601	E2	46	1	14775-ZE2-010	E6	50	13	16100-ZH9-V02	F8	68	8	16271-ZB4-000	H12	104	4
13010-ZE8-602	E2	46	1	14781-ZE2-000	E6	50	14	16100-ZH9-V12	F11	71	8	16271-ZE2-010	F14	74	1
13011-Z5H-004	E4	48	1	14791-ZE2-010	E6	50	15	16100-ZH9-W01	F1	61	9		F16	76	1
13011-ZE8-601	E3	47	1					16100-ZH9-W21	F2	62	9		G1	77	1
13011-ZE8-602	E3	47	1	15000				16100-ZK9-R41	F11	71	8	16273-ZB4-000	H12	104	5
13012-Z5H-004	E4	48	1					16100-ZK9-R61	F8	68	8	16400-ZE2-703	F9	69	24
13012-ZE8-601	E3	47	1	15510-ZE2-043	D4	32	2	16100-ZK9-R62	F8	68	8		F12	72	27
13012-ZE8-602	E3	47	1	15510-ZE2-053	D5	33	2	16100-ZK9-V21	F2	62	9	16400-ZE2-704	F9	69	24
13013-Z5H-004	E4	48	1	15600-735-003	D7	35	4	16124-ZE0-005	F2	62	10	16500-ZE2-702	I9	117	1
													F8	68	9
													F11	71	9
													F8	68	10
													F3	63	11
													F3	63	11
													F8	68	11
													F11	71	11
													F2	62	11
													F3	63	11
													F3	63	11
													F8	68	11
													F11	71	11
													F2	62	11
													F3	63	11
													F3	63	12
													F9	69	12
													F11	71	12
													F3	63	13
													F3	63	14
													F11	71	13
													F3	63	15
													F9	69	13
													F11	71	14
													F3	63	16
													F3	63	17
													F9	69	14
													F11	71	15
													F4	64	18
													F9	69	15
													F11	71	16
													F11	71	17
													H12	104	1
													F9	69	16
				</											

# PART NO. INDEX

J 2

Part Number	Address	Page	Ref.	Part Number	Address	Page	Ref.	Part Number	Address	Page	Ref.	Part Number	Address	Page	Ref.	Part Number	Address	Page	Ref.
16611-ZE2-711	F12	72	28	17470-ZE3-842	F16	76	10					22000				31000			
16611-ZE3-D21	F9	69	25	17475-ZE3-841	F16	76	11	18333-ZE3-800	G4	80	8					31100-ZE2-010	G16	92	6
16613-893-000	F9	69	26	17476-ZE3-841	F16	76	12		G8	84	6	22103-ZE2-620	I5	113	3	31100-ZE2-812	G16	92	7
	F12	72	29	17500-ZE2-812ZA	G11	87	4		G9	85	5	22121-889-750	I2	110	4	31100-ZE2-822	G16	92	8
16615-893-000	F9	69	27	17500-ZE2-813ZA	G11	87	4		G10	86	7	22201-822-610	I2	110	5	31100-ZE2-832	G16	92	9
	F12	72	30	17500-ZE2-813ZC	G11	87	4		I9	117	4	22311-822-610	I2	110	6	31100-ZE2-832	G16	92	9
16615-ZE2-810	H11	103	23	17505-ZE2-013	G11	87	5	18333-ZF6-W01	G5	81	32	22350-822-610	I2	110	7	31100-ZE2-W01	G16	92	5
16731-ZE2-003	E14	58	1	17510-ZE2-020ZA	G11	87	6		G7	83	31	22411-822-611	I2	110	8	31200-ZH9-003	H5	97	1
16854-ZH8-000	G11	87	1	17510-ZE2-020ZD	G12	88	6		G9	85	25	22421-822-610	I2	110	9	31200-ZH9-013	H5	97	1
16910-GB2-005	G11	87	2	17510-ZE2-020ZE	G12	88	6		G10	86	12	22521-822-610	I2	110	10	31201-ZA1-003	H5	97	2
16953-ZE1-812	F4	64	20	17510-ZE2-800ZA	G12	88	6	18333-ZK6-Y00	G6	82	7	22531-889-750	I2	110	11	31202-ZA1-003	H5	97	3
16954-ZE1-812	F5	65	21	17510-ZE2-800ZB	G12	88	6	18355-ZB4-630	G9	85	6	22535-822-610	I2	110	12	31204-ZA0-003	H5	97	4
16955-ZE1-000	G11	87	3	17510-ZE2-800ZC	G12	88	6		G10	86	8					31207-ZH9-003	H5	97	5
16956-ZE1-811	F5	65	22	17510-ZE2-801ZA	G12	88	6	18355-ZE2-010	G4	80	9	23000				31211-ZE2-003	H5	97	6
16957-ZE1-812	F5	65	23	17510-ZE2-801ZB	G12	88	6		G7	83	8					31212-ZE2-003	H6	98	7
16967-ZE0-811	F5	65	24	17510-ZE2-801ZC	G12	88	6		G8	84	7	23110-ZE2-610	I4	112	4	31213-ZE2-003	H6	98	8
				17510-ZK2-880ZA	G12	88	6	18355-ZE2-W00	G4	80	9	23120-889-750	I2	110	13	31215-ZE2-003	H6	98	9
17000				17510-ZK2-880ZC	G12	88	6		G7	83	8	23161-822-611	I2	110	14	31216-ZE2-003	H6	98	10
				17510-ZK2-881ZA	G12	88	6		G8	84	7	23220-ZE2-621	I5	113	4	31217-ZE2-003	H6	98	11
17210-ZE2-822	F14	74	2	17510-ZK2-881ZC	G12	88	6		I9	117	16	23710-ZE2-610	I4	112	5	31219-ZE2-003	H6	98	12
17210-ZE3-010	F16	76	2	17532-ZK6-880	G14	90	21	18361-ZL0-000	G9	85	24	23710-ZE2-621	I5	113	5	31222-ZE3-791	H6	98	13
	G1	77	2	17534-ZK6-880	G15	91	22		G10	86	11	23711-822-610	I2	110	15	31231-ZE2-003	H7	99	14
17211-899-000	G2	78	2	17536-ZK6-880	G15	91	23	18381-ZE2-800	G5	81	11					31232-ZE3-003	H7	99	15
17212-Z5R-000	G2	78	3	17620-Z0T-305	G13	89	7		G7	83	10	25000				31233-ZE2-003	H7	99	16
17212-ZB4-003	G2	78	3	17631-Z0T-812	G13	89	8	18381-ZE2-W10	G5	81	10					31244-ZH9-003	H7	99	17
17218-ZE2-821	F14	74	3	17672-880-000	G13	89	10		G7	83	9	25620-805-612	I2	110	16	31245-ZH9-003	H7	99	18
17218-ZE3-000	F16	76	3	17672-ZE2-W01	G13	89	9		G8	84	8	25651-889-750	I2	110	17	31510-ZE1-811	H3	95	4
	G1	77	3	17673-893-000	G13	89	11	18430-ZF6-W50	G7	83	11					31510-ZE2-811	H3	95	6
17219-ZE3-840	F16	76	4					18430-ZK9-W50	G5	81	12	28000				31510-ZE2-H91	H3	95	5
17220-Z5R-000	G3	79	14	18000				18433-ZF6-W40	I12	120	2	28400-ZE2-W01ZB	E9	53	1	31511-ZE2-000	H3	95	8
17220-ZB4-003	G2	78	4					18433-ZK9-W40	I12	120	2	28400-ZE2-W01ZC	E9	53	1	31511-ZE2-W00	H3	95	7
17222-ZB4-000	G2	78	5	18310-ZE2-013	G8	84	1	18434-ZF6-W40	I12	120	3	28400-ZE2-W01ZD	E9	53	1	31512-ZE2-000	H3	95	9
17230-ZE3-841	F16	76	5	18310-ZE2-V60	G10	86	1	18434-ZK9-W40	I12	120	3	28400-ZE2-W01ZE	E9	53	1	31600-ZE2-861	H13	105	1
17231-899-000	G2	78	6	18310-ZE2-W00	G4	80	2	18436-ZH8-W40	I12	120	4	28400-ZE2-W01ZG	E9	53	1		H16	108	1
17231-ZH9-820	F14	74	4	18310-ZE2-W61	G6	82	2	18437-ZF6-W40	I12	120	5	28400-ZE2-W01ZN	E9	53	1	31610-Z5J-801ZA	H13	105	2
17231-ZH9-N01	G1	77	4	18310-ZH9-V01	G9	85	2	18438-ZF6-W40	I13	121	6	28410-ZE2-W01ZB	E9	53	2	31610-Z5J-801ZB	H13	105	2
17232-891-000	F15	75	5	18310-ZK6-880	G6	82	2	18466-ZH8-W40	I13	121	7	28410-ZE2-W01ZC	E9	53	2	31610-Z5J-801ZC	H13	105	2
	F16	76	6	18320-ZB4-000	G10	86	2					28410-ZE2-W01ZD	E9	53	2	31610-Z5J-811ZA	H13	105	3
	G1	77	5	18320-ZE2-P30	G8	84	2	19000				28410-ZE2-W01ZE	E9	53	2	31610-Z5J-821ZA	H16	108	2
17232-898-000	G3	79	15	18320-ZE2-W01	G4	80	3					28410-ZE2-W01ZN	E10	54	2	31610-Z5K-801ZA	H13	105	2
17233-896-701	I12	120	1	18320-ZE2-W61	G6	82	3	19511-ZE2-000	G16	92	1	28421-ZE2-W01	E10	54	3	31610-Z5K-801ZB	H13	105	2
17235-899-000	G2	78	7	18320-ZF6-W01	G6	82	3	19512-ZE2-000	G16	92	2	28422-ZE2-W01	E11	55	4	31610-Z5K-802ZA	H13	105	2
17235-Z5H-000	F15	75	6	18323-ZE2-W00	G4	80	4	19610-ZE2-010ZB	E14	58	2	28441-ZE2-W01	E11	55	5	31610-Z5K-802ZB	H13	105	2
17235-ZE2-820	F15	75	6	18323-ZE2-W60	G4	80	5	19610-ZE2-010ZC	E14	58	2	28442-ZE2-W01	E11	55	6	31610-ZE2-834ZE	H13	105	2
17235-ZH9-N00	G1	77	6					19610-ZE2-010ZD	E14	58	2	28443-ZE2-W01	E11	55	7	31612-ZE2-003	H13	105	4
17235-ZH9-N01	G1	77	6	18325-ZB4-000	G10	86	3	19610-ZE2-010ZE	E14	58	2	28444-ZE2-W01	E11	55	8		H16	108	3
17236-899-000	G2	78	8	18325-ZE2-P30	G8	84	3	19610-ZE2-010ZF	E14	58	2	28450-ZE2-W11	G16	92	3	31614-ZE2-003	H13	105	5
17238-ZE2-310	F15	75	7	18329-ZB4-000	G10	86	4	19610-ZE2-010ZG	E14	58	2	28451-ZE2-W01	G16	92	4		H16	108	4
	F16	76	7	18330-ZE2-000	G8	84	4	19610-ZE2-010ZL	E14	58	2	28461-ZE2-W02	E12	56	9	31615-ZE2-003ZA	H13	105	6
	G1	77	7	18330-ZE2-700	G9	85	3	19610-ZK2-880ZB	E14	58	2	28462-ZE2-W11	E12	56	10	31615-ZE2-003ZE	H13	105	6
17239-ZE1-000	F15	75	8					19620-ZE2-000ZD	E14	58	3					31615-ZE2-003ZG	H13	105	6
	G1	77	8	18330-ZE2-W00	G4	80	6	19631-ZE2-D00	E15	59	4	30000					H16	108	5
17239-ZE3-840	F16	76	8	18330-ZH9-N00	G4	80	6									31620-ZG5-013	H16	108	6
17252-899-000	G2	78	9					21000				30500-ZF6-W02	H2	94	1	31620-ZG5-023	H16	108	6
17316-611-000	D2	30	9	18331-ZE2-810	G4	80	7					30500-ZF6-W03	H2	94	1	31630-ZE1-003	H3	95	10
17367-413-690	G2	78	10					21510-889-750	I2	110	1	30700-ZE1-013	H3	95	2	31630-ZE1-013	H3	95	10
17410-ZE2-020	F15	75	9					21610-889-750	I2	110	2	30700-ZF5-013	H3	95	3	31630-ZE2-841	H3	95	10
17410-ZE3-840	F16	76	9					21691-889-750	I2	110	3					31630-ZE2-842	H3	95	10
17410-ZH9-N00	G1	77	9	18333-ZB4-800	G9	85	4									31630-ZE2-861	H3	95	12

3

# PART NO. INDEX

J 3

Part Number	Address	Page	Ref.	Part Number	Address	Page	Ref.	Part Number	Address	Page	Ref.	Part Number	Address	Page	Ref.	Part Number	Address	Page	Ref.
31630-ZE2-W01	H3	95	11	53000				90012-ZE0-010	E7	51	16	90431-ZE2-700	F9	69	31				
31700-124-008	H14	106	7					90013-883-000	D5	33	5		F12	72	34				
	I9	117	5	53149-964-003	F9	69	29		E15	59	11	90432-ZE2-700	F9	69	32				
					F12	72	32		G5	81	19		F12	72	35				
32000									G7	83	19	90433-ZE2-700	F9	69	33	91202-805-610	I2	110	22
				81000					H3	95	15		F12	72	36	91202-Z2F-801	I3	111	22
32110-ZE2-860	H14	106	8						H11	103	24	90434-ZE2-700	F9	69	34	91301-805-000	I3	111	23
	H16	108	8	81329-567-020	E15	59	9		H12	104	7		F12	72	37	91353-671-004	D5	33	11
32110-ZE2-W00	H16	108	7						H15	107	19	90441-ZE2-010	D2	30	13		G13	89	13
32127-738-700	H14	106	9	87000					H16	108	16	90446-KE1-000	D5	33	7	91406-ZE2-003	H15	107	23
	I9	117	6					90014-ZE2-000	D2	30	10	90473-147-000	D11	39	12		I1	109	20
32197-ZE1-003	H14	106	10	87516-ZH7-000	I6	114	1	90015-883-000	H3	95	16	90473-842-000	I4	112	6	91424-Z4J-801	G13	89	17
	H16	108	9								17		I5	113	8	91424-Z4J-821	G13	89	18
32197-ZH8-003	E15	59	5		I10	118	1	90015-ZE5-010	H11	103	25	90534-706-010	D16	44	9	91424-Z5F-801	G14	90	18
32902-892-003	H14	106	11	87516-ZH7-800	I10	118	1	90016-ZG9-N30	H11	103	26	90551-ZE1-000	E5	49	6	91424-Z5J-801	G13	89	16
	H16	108	10	87516-ZH7-810	I6	114	1	90017-883-000	H3	95	18	90602-896-000	D11	39	13	91502-ZB4-701	H12	104	8
											19		D13	41	11	91601-ZE2-003	H7	99	22
34000					I10	118	2				19		D15	43	11				
				87521-ZH9-030	I7	115	3	90018-ZK6-P10	D2	30	11	90602-ZE1-000	D9	37	11	92000			
34150-ZH7-003	D5	33	4	87521-ZH9-040	I7	115	3	90042-ZE2-000	D2	30	12		D10	38	12				
	H14	106	12	87528-898-620	I10	118	6	90042-ZE2-700	D2	30	12		D11	39	13	92101-08025-0A	E1	45	12
	H16	108	11	87528-ZH7-000	I7	115	4	90047-ZE3-791	D2	30	11		D13	41	11	92101-08035-0A	I3	111	24
34150-ZH7-013	D5	33	4		I10	118	3	90050-ZE1-000	G5	81	20		D15	43	11	92800-12000	I3	111	25
	H14	106	12	87529-Z4S-820	H16	108	15				22	90605-230-000	H11	103	28		I9	117	12
	H16	108	11	87529-Z4T-840	H15	107	18		G7	83	20	90630-751-000	D5	33	8	92900-08032-0E	D2	30	11
				87529-ZE2-812	H15	107	18				22		H15	107	21				
35000				87532-ZH7-000	I7	115	5		G8	84	9		I1	109	18	93000			
					I10	118	4				10	90634-ZL8-000	F5	65	25				
35100-ZE2-023	H14	106	13	87532-ZH9-W41	I7	115	6		I13	121	8	90634-ZL8-H00	F15	75	13	93500-03006-1H	F5	65	26
	I9	117	7	87534-ZE1-841	I7	115	7	90050-ZH8-W40	I13	121	9		G3	79	16	93500-03012-OH	H15	107	24
35100-ZE2-033	H14	106	13		I10	118	5	90055-ZE1-000	G5	81	22	90672-SA0-003	H15	107	22	93500-04006-OH	H11	103	29
35100-ZE2-842	H14	106	13	87535-ZE1-841	I7	115	8				24		I1	109	19	93500-04012-OH	H15	107	25
	I9	117	7	87565-ZE2-810	I7	115	9				25	90684-ZA0-601	H4	96	20		I1	109	21
35100-ZE2-843	H14	106	13						G7	83	22	90701-HC4-000	D9	37	12	93500-05008-OA	H12	104	9
35100-ZE2-862	H16	108	12	88000							24		D10	38	13	93500-05012-OA	F9	69	35
35111-880-013	H14	106	14						G8	84	10		D11	39	14		F12	72	38
	H16	108	13	88911-MJ3-000	F9	69	30				11		D13	41	12	93500-05016-OA	H11	103	30
	I9	117	8		F12	72	33	90056-ZL0-000			19		D15	43	12	93500-05028-OA	H11	103	31
35120-Z0D-V81	E15	59	6	89000							10	90741-805-000	D16	44	10	93500-05035-OA	H11	103	32
											9		I2	110	19	93600-05010-OA	G13	89	14
36000				89000-ZE1-000	I8	116	1	90110-ZE2-003	H7	99	20		I4	112	7	93891-05012-00	I13	121	11
				89218-ZE1-000	I8	116	2	90114-SA0-000	H11	103	27	90741-889-000	I2	110	20	93891-06020-07	I13	121	12
36100-ZF6-P81	E15	59	7	89219-805-000	I8	116	3	90131-883-000	D5	33	6	90741-889-810	D16	44	10	93892-05012-18	F12	72	39
36100-ZF6-P82	E15	59	7					90131-ZE3-790	I9	117	11		I2	110	19	93892-05032-18	H7	99	23
36100-ZH9-V02	E15	59	8					90142-MB0-000	F16	76	14		I4	112	7	93893-05016-00	H11	103	33
36101-ZE1-010	H3	95	13	90000				90201-ZE3-790	H1	93	10		I9	117	20				
36103-ZE1-000	H3	95	14					90201-ZE3-V00	H1	93	10	90741-ZE2-000	H1	93	11	94000			
	H15	107	15	90001-ZE8-000	E5	49	5	90206-ZE1-000	E7	51	17	90745-ZE2-600	E1	45	10				
	H16	108	14	90002-ZE2-U91	G9	85	13	90302-KF9-900	I13	121	10		I5	113	9	94001-04390-0S	H15	107	26
36135-ZF6-D41	F9	69	28		G10	86	9	90325-044-000	F15	75	11	90801-ZE2-003	D5	33	9		I1	109	22
	F12	72	31	90004-ZE2-W01	E13	57	11		F16	76	15	90854-ZB3-000	G13	89	12	94050-05000	G2	78	11
36160-ZB4-003	H12	104	6	90006-ZE2-000	G7	83	18		G1	77	11					94050-06000	F15	75	12
36170-ZB4-003	I9	117	9	90007-ZE2-003	H7	99	19	90380-MA6-010	H15	107	20	91000					F16	76	16
				90008-ZE2-003	E13	57	12		H16	108	17						G1	77	12
38000					E15	59	10	90401-ZE2-620	I5	113	6	91001-ZH9-003	E1	45	11		G2	78	12
					G15	91	24	90402-ZE2-620	I5	113	7	91201-889-003	D9	37	13		H11	103	34
38240-VA3-900	H15	107	16	90009-ZE2-003	F15	75	10	90403-889-000	I2	110	18	91201-890-003	D5	33	10	94050-06080	G3	79	13
38240-ZE2-840	H15	107	16		F16	76	13	90403-ZH9-003	H7	99	21		D9	37	13	94050-08000	G5	81	29
38250-ZA8-701	H15	107	17		G1	77	10	90413-ZK6-880	E7	51	18		D12	40	15		G7	83	28

3

# PART NO. INDEX

J 4

Part Number	Address	Page	Ref.	Part Number	Address	Page	Ref.	Part Number	Address	Page	Ref.	Part Number	Address	Page	Ref.
94050-08000	G8	84	12					99101-ZH8-0850	F6	66	28				
	G9	85	19	95701-08020-00	G9	85	23		F13	73	47				
	G10	86	10	95701-08020-08	G9	85	23	99101-ZH8-0880	F6	66	28				
	G13	89	15		I9	117	18		F10	70	43				
	I9	117	17	95701-08025-00	G14	90	20		F13	73	47				
94050-10000	D5	33	12		I4	112	10	99101-ZH8-0900	F6	66	28				
94070-06080	H7	99	24		I5	113	12		F10	70	43				
94101-04800	H15	107	27	95701-08032-08	I3	111	30		F13	73	47				
	I1	109	23	95701-08035-00	D9	37	15	99101-ZH8-0920	F7	67	28				
94101-06800	D9	37	14		D10	38	15		F10	70	43				
	D10	38	14		D12	40	17		F13	73	47				
	D12	40	16		D14	42	15	99101-ZH8-0950	F7	67	28				
	D14	42	14		D15	43	14	99204-ZE0-0350	F7	67	29				
	D15	43	13	95701-08040-00	H7	99	25	99204-ZE0-0400	F10	70	44				
94103-05000	F10	70	36		I4	112	11	99204-ZE2-0400	F7	67	29				
	F12	72	40		I5	113	13		F10	70	44				
94103-05700	I13	121	13	95701-10080-00	D3	31	15		F13	73	48				
94109-12000	D5	33	13	95725-10080-00	D3	31	15								
	I3	111	26												
	I9	117	13	96000											
94111-04800	H15	107	28												
	I1	109	24	96100-62020-00	D6	34	16								
94111-05000	I13	121	14		D12	40	18								
94111-08800	I3	111	27		D14	42	16								
94251-10000	D5	33	14		D15	43	15								
94301-08140	I3	111	28	96100-62040-00	D10	38	16								
	I4	112	9		D15	43	16								
	I5	113	11	96100-62050-00	I3	111	31								
94301-12200	D2	30	14	96100-62060-00	D9	37	16								
94305-20062	H12	104	10		D10	38	17								
94305-20122	F5	65	27		D12	40	19								
94540-02010	F10	70	37		D14	42	17								
	F12	72	41		D15	43	17								
94540-04010	F10	70	38		I3	111	32								
	F12	72	42		I4	112	12								
94540-04018	H12	104	11		I5	113	14								
94540-07010	F10	70	39	96100-63020-00	D10	38	18								
	F12	72	43		D15	43	18								
					I5	113	15								
95000				98000											
95001-45120-40	G13	89	16												
95001-45150-40	G13	89	17	98079-55846	D3	31	16								
95001-45222-40	G13	89	18	98079-55855	D3	31	16								
95001-45430-40	G13	89	18	98079-56846	D3	31	16								
95002-02070	F10	70	40	98079-56855	D3	31	16								
	F12	72	44	98200-30500	H15	107	29								
95002-02080	G14	90	19		I9	117	15								
95002-40800-08	G15	91	25	98200-31500	H15	107	29								
					I1	109	25								
95005-11100-30	D1	29	7		I9	117	15								
95005-35055-10	F10	70	41												
	F12	72	45	99000											
95005-35075-10	F10	70	42												
	F13	73	46	99001-10120	I8	116	4								
95701-06012-00	D6	34	15	99001-14170	I8	116	5								
	I9	117	14	99008-02300	I8	116	6								
95701-06050-08	I3	111	29	99101-ZH8-0800	F6	66	28								
95701-08016-08	G9	85	22	99101-ZH8-0820	F6	66	28								

3





# PART NAME INDEX

K 2

Part name	Address	Page	Ref.	Part name	Address	Page	Ref.	Part name	Address	Page	Ref.
CLIP, TUBE .....	E14	58	1	CRANKSHAFT COMP. ....	D16	44	6	[ G ]			
	F10	70	40				7	GASKET KIT .....	I11	119	1
	F12	72	44	CUP, FUEL STRAINER .....	F5	65	24	GASKET SET .....	E16	60	1
	G14	90	19	[ D ]					F8	68	1
CLIP, VALVE GUIDE .....	D1	29	4						F11	71	1
CLUTCH COMP., OVERRUNNING ....	H5	97	5	DEFLECTOR COMP., MUFFLER .....	G5	81	12	GASKET, CYLINDER HEAD .....	D1	29	5
COIL ASSY., CHARGE .....	H3	95	10		G7	83	11	GASKET, EX. PIPE .....	G4	80	8
			11	DIAPHRAGM ASSY. ....	F9	69	24		G5	81	32
			12		F12	72	27		G6	82	7
COIL ASSY., IGNITION .....	H2	94	1	DISK, CLUTCH FRICTION .....	I2	110	5		G7	83	31
COIL ASSY., LAMP .....	H3	95	4	DOWEL PIN, 12X20 .....	D2	30	14		G8	84	6
			5	DOWEL PIN, 8X12 .....	D9	37	12		G9	85	4
			6		D10	38	13				5
COLLAR B, AIR CLEANER .....	F15	75	8		D11	39	14				25
	F16	76	8		D13	41	12		G10	86	6
	G1	77	8		D15	43	12				7
COLLAR, AIR CLEANER .....	F15	75	7	DOWEL PIN, 8X14 .....	I3	111	28				12
	F16	76	7		I4	112	9				11
	G1	77	7	[ E ]	I5	113	11	GASKET, MUFFLER .....	I9	117	4
COLLAR, AIR CLEANER CASE .....	I12	120	1						G5	81	10
COLLAR, CLUTCH STOP .....	H5	97	3	ELBOW COMP., AIR CLEANER .....	F15	75	9				11
COLLAR, LEVER .....	F9	69	34		F16	76	9	GAUGE ASSY., FUEL .....	G11	87	5
	F12	72	37	ELEMENT, AIR CLEANER .....	G1	77	9	GAUGE, OIL LEVEL .....	I2	110	17
COLLAR, SETTING .....	F3	63	12		F14	74	2	GEAR, DRIVE PINION .....	H6	98	8
	F9	69	12		F16	76	2	GEAR, PRIMARY DRIVE .....	I5	113	3
	F11	71	12	EMBLEM .....	G1	77	2	GEAR, REDUCTION .....	H6	98	13
COLLAR, STOPPER .....	H11	103	22		G2	78	2	GOVERNOR ASSY. ....	D8	36	6
CONTACTOR ASSY. ....	H5	97	4		I7	115	3		D10	38	7
CONTROL ASSY. ....	H9	101	6	E-RING, 2MM .....	F10	70	37		D11	39	7
			7		F12	72	41		D13	41	6
			8	E-RING, 4MM .....	F10	70	38		D15	43	6
			9		F12	72	42	GRIP, STARTER .....	E12	56	9
			10		H12	104	11	GROMMET, AIR CLEANER .....	F15	75	5
			11	E-RING, 7MM .....	F10	70	39		F16	76	6
CORD, STOP SWITCH .....	H3	95	13		F12	72	43		G1	77	5
COUNTERSHAFT COMP. ....	I5	113	4	[ F ]					G3	79	15
COVER ASSY., CHAIN CASE .....	I4	112	1	FAN, COOLING .....	G16	92	1	GROMMET, CHOKE ROD .....	F9	69	26
COVER ASSY., CRANKCASE .....	D7	35	1	FILTER, DRAIN TUBE .....	G2	78	10		F12	72	29
	D10	38	1	FILTER, FUEL .....	G13	89	9	GROMMET, CORD .....	H3	95	9
			2					GROMMET, DRAIN HOLE .....	E15	59	9
			3	FILTER, OUTER .....	F14	74	3	GROMMET, FENDER .....	F9	69	30
			4		F16	76	3		F12	72	33
			5	FLOAT SET .....	G1	77	3	GUIDE, CHOKE ROD .....	F9	69	27
COVER ASSY., REDUCTION CASE ..	I5	113	1		F1	61	3		F12	72	30
COVER COMP., AIR CLEANER .....	F16	76	5	FLYWHEEL COMP. ....	G16	92	5	GUIDE, EX. VALVE .....	D1	29	3
	G2	78	6					GUIDE, IN. VALVE .....	D1	29	2
COVER COMP., FAN .....	E14	58	2		F8	68	3	GUIDE, PRE AIR CLEANER .....	F16	76	12
COVER COMP., HEAD .....	D1	29	6		F11	71	3	[ H ]			
COVER COMP., MUFFLER .....	I12	120	2					HANDLE, BOX WRENCH .....	I8	116	3
COVER COMP., RR. MUFFLER .....	I12	120	3					HARNESS ASSY., SUB WIRE .....	H14	106	8
COVER, AIR CLEANER .....	F14	74	4						H16	108	7
	G1	77	4								8
			5	FUSE, BLADE .....	H15	107	29	HEAD COMP., CYLINDER .....	D1	29	1
COVER, REDUCTION .....	I2	110	2		I1	109	25	HOLDER, BRUSH .....	H7	99	14
CRANKSHAFT COMP. ....	D16	44	1		I9	117	15				
			2								
			3								
			4								
			5								

4

# PART NAME INDEX

K 3

Part name	Address	Page	Ref.	Part name	Address	Page	Ref.	Part name	Address	Page	Ref.
HOLDER, CABLE .....	H9	101	15	LEVER, COCK .....	F4	64	20	NUT, TANK MOUNTING .....	G15	91	22
HOLDER, CLUTCH SPRING .....	I2	110	9	LEVER, CONTROL .....	H9	101	12	NUT, TOOL BOX SETTING .....	F15	75	11
HOLDER, CLUTCH WEIGHT .....	I2	110	11	LIFTER, VALVE .....	E6	50	5		F16	76	15
HOLDER, FUEL FILTER .....	G13	89	11						G1	77	11
HOLDER, GOVERNOR WEIGHT .....	D8	36	8	[ M ]				[ O ]			
	D10	38	9	MARK, AIR CLEANER SALES POINT ..	I7	115	8	OIL SEAL .....	I2	110	22
	D11	39	9	MARK, CHOKE .....	I7	115	4	OIL SEAL, 30X45X8 .....	D9	37	13
	D13	41	8		I10	118	3	OIL SEAL, 30X46X8 .....	D5	33	10
HOLDER, STOP SWITCH CORD .....	D15	43	8	MARK, CONTROL BOX .....	H15	107	18		D9	37	13
	H3	95	14		H16	108	15		D12	40	15
	H15	107	15	MARK, ENGINE SWITCH .....	I7	115	6		D14	42	13
	H16	108	14	MARK, FUEL INDICATION .....	I7	115	9		I2	110	21
HOLDER, WIRE .....	H10	102	21	MARK, OPERATOR CAUTION .....	I6	114	1		I4	112	8
[ I ]									I5	113	10
INSULATOR .....	H7	99	16		I10	118	1	OIL SEAL, 30X50X7 .....	I3	111	22
INSULATOR, CARBURETOR .....	F3	63	14	MARK, THROTTLE INDICATION .....	I7	115	5	O-RING, 14MM .....	D5	33	11
					I10	118	4	O-RING, 26X2.7 .....	G13	89	13
	F9	69	13	MOTOR ASSY., STARTER .....	H5	97	1		I3	111	23
	F11	71	13	MUFFLER COMP. ....	G4	80	2	[ P ]			
					G6	82	2	PACKING .....	H7	99	22
[ J ]					G8	84	1	PACKING, AIR CLEANER .....	F9	69	23
JET SET, PILOT, .....	F7	67	29		G9	85	2		F12	72	26
	F10	70	44	[ N ]	G10	86	1	PACKING, AIR CLEANER COVER .....	F16	76	4
	F13	73	48	NETTING, WIRE FLANGE .....	G9	85	24	PACKING, CARBURETOR .....	F3	63	17
JET, MAIN, .....	F6	66	28		G10	86	11		F9	69	14
	F7	67	28	NOSE, SILENCER .....	F15	75	6	PACKING, CASE COVER .....	F11	71	15
	F10	70	43		G1	77	6		D7	35	2
	F13	73	47	NOZZLE, MAIN .....	F2	62	11		D10	38	3
JOINT, FUEL TANK .....	G11	87	3		F3	63	11		D11	39	2
JOINT, ROD .....	F9	69	19		F8	68	11		D13	41	1
	F12	72	22		F11	71	11	PACKING, CHAIN CASE COVER .....	D15	43	1
[ K ]				NUT-WASHER, 6MM .....	H7	99	24		I4	112	2
KEY COMP. ....	H14	106	14	NUT, FLANGE, 10MM .....	D5	33	12	PACKING, ELBOW .....	I5	113	2
	H16	108	13	NUT, FLANGE, 5MM .....	G2	78	11		F14	74	1
	I9	117	8	NUT, FLANGE, 6MM .....	F15	75	12		F16	76	1
KEY, 6.3X6.3X43 .....	E1	45	10		F16	76	16	PACKING, FUEL COCK .....	G1	77	1
	I5	113	9		G1	77	12	PACKING, FUEL FILLER CAP .....	F5	65	23
KEY, 7X7X33 .....	D16	44	10		G2	78	12	PACKING, FUEL FILLER CAP .....	G13	89	8
	I2	110	19		G2	78	12	PACKING, FUEL STRAINER CUP .....	F3	63	13
	I4	112	7		G3	79	13	PACKING, HEAD COVER .....	D1	29	8
	I9	117	20	NUT, FLANGE, 8MM .....	H11	103	34	PACKING, INSULATOR .....	F4	64	18
KEY, CLUTCH CENTER .....	I2	110	20		G5	81	29		F9	69	15
KEY, SPECIAL WOODRUFF, 25X18 ..	H1	93	11		G7	83	28	PACKING, OIL FILLER CAP .....	F11	71	16
[ L ]					G8	84	12		D8	36	5
LABEL, AIR CLEANER CAUTION ...	I7	115	7		G9	85	19		D10	38	6
	I10	118	5	NUT, HEX., 4MM .....	G9	85	19		D11	39	6
LENS ASSY., PROTECTOR .....	H15	107	17		G10	86	10		D13	41	5
LEVER COMP., CHOKE .....	F4	64	19		G13	89	15		D15	43	5
LEVER COMP., SOLENOID THROTTLE	H12	104	5	NUT, HEX., 5MM .....	I13	121	10	PACKING, REDUCTION COVER .....	I2	110	3
LEVER, CHOKE .....	F9	69	18	NUT, PIVOT ADJUSTING .....	E7	51	17	PANEL COMP., CONTROL .....	H13	105	6
	F11	71	21	NUT, SELF-LOCK, 6MM .....	H11	103	27		H16	108	5
				NUT, SPECIAL, 16MM .....	H1	93	10	PIN, GOVERNOR WEIGHT .....	D9	37	9
									D10	38	10
									D11	39	10
									D13	41	9

# PART NAME INDEX

K 4

Part name	Address	Page	Ref.	Part name	Address	Page	Ref.	Part name	Address	Page	Ref.
PIN, GOVERNOR WEIGHT .....	D15	43	9	ROTATOR, VALVE .....	E6	50	14	SCREW, TAPPING, 5X8 .....	G8	84	10
PIN, LOCK, 10MM .....	D5	33	14	RUBBER A, TANK MOUNTING .....	G14	90	21		I13	121	8
PIN, PISTON .....	E5	49	3	RUBBER COMP., TANK MOUNTING ...	G15	91	23	SCREW, TAPPING, 6X10 .....	G7	83	18
PIN, SPRING, 2X12 .....	F5	65	27	RUBBER, FUEL .....	G13	89	12	SCREW, THROTTLE STOP .....	F2	62	10
PIN, SPRING, 2X6 .....	H12	104	10	RUBBER, SUPPORTER .....	G11	87	1		F8	68	9
PIPE, EX. ....	G4	80	6						F11	71	9
	G6	82	5	[ S ]				SEAL, AIR CLEANER .....	G2	78	9
	G8	84	4	SCREW-WASHER, 4X6 .....	H7	99	20	SEAL, CHOKE LEVER .....	F9	69	32
	G9	85	3	SCREW-WASHER, 5X12 .....	F12	72	39		F12	72	35
	G10	86	5		I13	121	11	SEAL, MUFFLER PROTECTOR .....	G10	86	4
PISTON .....	E5	49	2	SCREW-WASHER, 5X16 .....	H11	103	33	SEAL, VALVE STEM .....	E6	50	1
PIVOT, ROCKER ARM .....	E6	50	6	SCREW-WASHER, 5X32 .....	H7	99	23	SEAT, VALVE SPRING .....	E6	50	13
PLATE COMP., CLUTCH PRESSURE ..	I2	110	7	SCREW-WASHER, 6X20 .....	I13	121	12	SEPARATOR, AIR CLEANER .....	G2	78	3
PLATE, CLUTCH .....	I2	110	6	SCREW SET .....	F1	61	5	SHAFT .....	H7	99	18
PLATE, COOLING FAN SETTING ...	G16	92	2					SHAFT COMP., P.T.O. ....	I2	110	15
PLATE, LEVER SETTING .....	F5	65	21					SHAFT, GOVERNOR ARM .....	D5	33	3
PLATE, PUSH ROD GUIDE .....	E6	50	15		F8	68	5	SHAFT, P.T.O. ....	I4	112	5
PLATE, SET .....	I13	121	6						I5	113	5
PLUG, OIL DRAIN .....	I9	117	11	SCREW SET, DRAIN .....	F1	61	6	SHIM A .....	I5	113	6
PLUG, SEALING .....	D5	33	9		F8	68	6	SHIM B .....	I5	113	7
PLUG, SPARK .....	D3	31	16		F11	71	6	SHROUD .....	E15	59	4
PROTECTOR COMP., FAN COVER ...	E14	58	3		F11	71	6	SLIDER, GOVERNOR .....	D9	37	10
PROTECTOR COMP., MUFFLER .....	G4	80	3	SCREW SET, PILOT .....	F1	61	5		D10	38	11
	G6	82	3	SCREW, CENTER .....	E13	57	11		D11	39	11
PROTECTOR, CIRCUIT .....	H15	107	16	SCREW, FLAT, 5X10 .....	G13	89	14		D13	41	10
PROTECTOR, EX. PIPE .....	G4	80	4	SCREW, PAN, 3X12 .....	H15	107	24		D15	43	10
				SCREW, PAN, 3X6 .....	F5	65	26	SOLENOID ASSY. ....	H12	104	6
	G6	82	4	SCREW, PAN, 4X12 .....	H15	107	25	SPACER COMP., CARBURETOR .....	F3	63	16
PROTECTOR, L. MUFFLER .....	G8	84	3		I1	109	21	SPACER, CONTROL LEVER .....	H10	102	16
PROTECTOR, MUFFLER INNER .....	G10	86	3	SCREW, PAN, 4X6 .....	H11	103	29	SPACER, MUFFLER COVER .....	I13	121	7
PROTECTOR, MUFFLER OUTER .....	G10	86	2	SCREW, PAN, 5X12 .....	F9	69	35	SPANNER, 10X12 .....	I8	116	4
PROTECTOR, R. MUFFLER .....	G8	84	2		F12	72	38	SPANNER, 14X17 .....	I8	116	5
PULLEY COMP., STARTER .....	G16	92	3	SCREW, PAN, 5X16 .....	H11	103	30	SPRING .....	H7	99	17
PULLEY, RECOIL STARTER .....	E10	54	3	SCREW, PAN, 5X16.5 .....	F16	76	14	SPRING, BRUSH RETURN .....	H6	98	12
PULLEY, STARTER .....	G16	92	4	SCREW, PAN, 5X28 .....	H11	103	31	SPRING, CABLE RETURN .....	H10	102	20
				SCREW, PAN, 5X35 .....	H11	103	32	SPRING, CHOKE RETURN .....	H12	104	2
[ R ]				SCREW, PAN, 5X8 .....	H12	104	9	SPRING, CLUTCH FREE .....	I2	110	8
RATCHET, STARTER .....	E11	55	4	SCREW, PAN, 5X8 .....	H12	104	9	SPRING, COCK LEVER .....	F5	65	22
RECTIFIER ASSY., REGULATOR ...	H13	105	1	SCREW, RECESSED, 5X25 .....	H11	103	26	SPRING, CONTROL ADJUSTING .....	H10	102	18
	H16	108	1	SCREW, SPECIAL, 6X12 .....	H15	107	20	SPRING, FRICTION .....	E11	55	5
					H16	108	17	SPRING, GOVERNOR .....	H8	100	4
RECTIFIER ASSY., SILICON .....	H14	106	7	SCREW, TAPPING, 4X6 .....	G5	81	22		I9	117	2
	I9	117	5					SPRING, LEVER .....	H9	101	13
RETAINER, EX. VALVE SPRING ...	E6	50	12					SPRING, MANUAL CHOKE .....	F9	69	22
RETAINER, IN. VALVE SPRING ...	E6	50	11		G7	83	22		F12	72	25
RETAINER, SPRING .....	E11	55	8					SPRING, RATCHET .....	E11	55	7
RING SET, PISTON .....	E2	46	1		G8	84	10	SPRING, RETURN .....	H11	103	23
	E3	47	1					SPRING, STARTER RETURN .....	E11	55	6
	E4	48	1		G9	85	13	SPRING, THROTTLE RETURN .....	H9	101	5
	H5	97	2		G10	86	9	SPRING, VALVE .....	E6	50	10
RING, SNAP .....	H5	97	2		I9	117	10	SPRING, WEIGHT RETURN .....	E6	50	7
ROD ASSY., CONNECTING .....	E5	49	4	SCREW, TAPPING, 4X8 .....	G9	85	13	SPROCKET COMP., DRIVE .....	I2	110	13
ROD, CHOKE .....	F9	69	20		G10	86	9	SPROCKET, DRIVE .....	I4	112	4
	F12	72	23	SCREW, TAPPING, 5X25 .....	I13	121	9	STARTER ASSY., RECOIL .....	E9	53	1
ROD, CHOKE CONTROL .....	F9	69	25	SCREW, TAPPING, 5X8 .....	G5	81	20	STAY ASSY., CHOKE CONTROL .....	H10	102	19
	F12	72	28					STAY ASSY., MANUAL CHOKE .....	F9	69	16
ROD, GOVERNOR .....	H8	100	3		G7	83	20		F11	71	18
ROD, PUSH .....	E6	50	3								19
ROPE, RECOIL STARTER .....	E12	56	10		G8	84	9	STAY COMP., SOLENOID .....	F9	69	17

# PART NAME INDEX

K 5

Part name	Address	Page	Ref.	Part name	Address	Page	Ref.	Part name	Address	Page	Ref.
STAY COMP., SOLENOID .....	F11	71	20	[ W ]							
STAY, AIR CLEANER .....	G2	78	5	WASHER COMP., HEAD COVER .....	D2	30	13				
STAY, MUFFLER COVER .....	I12	120	5	WASHER, 6X16 .....	D11	39	12				
STAY, SOLENOID THROTTLE .....	H12	104	4	WASHER, 8MM .....	I4	112	6				
STOPPER, CHOKE ROD .....	F9	69	21	WASHER, 8.2X17X0.8 .....	I5	113	8				
	F12	72	24	WASHER, CHOKE LEVER .....	D5	33	7				
STRAINER COMP., FUEL .....	G11	87	2	WASHER, CONTROL LEVER .....	F9	69	31				
STRAP, CABLE, 118MM .....	H15	107	22	WASHER, DRAIN PLUG, 12MM .....	F12	72	34				
	I1	109	19	WASHER, CONTROL LEVER .....	H9	101	14				
SUB HARNESS .....	E15	59	5	WASHER, DRAIN PLUG, 12MM .....	D5	33	13				
	H14	106	10	WASHER, DRAIN PLUG, 12MM .....	I3	111	26				
	H16	108	9	WASHER, DRAIN PLUG, 12MM .....	I9	117	13				
SUSPENSION, COUPLER .....	H14	106	9	WASHER, LOCK, 8MM .....	D16	44	9				
	I9	117	6	WASHER, PLAIN, 4MM .....	H15	107	27				
SWITCH ASSY., COMBINATION ....	H14	106	13	WASHER, PLAIN, 4MM .....	I1	109	23				
	H16	108	12	WASHER, PLAIN, 5MM .....	F10	70	36				
	I9	117	7	WASHER, PLAIN, 5MM .....	F12	72	40				
SWITCH ASSY., ENGINE STOP ....	E15	59	6	WASHER, PLAIN, 5MM .....	I13	121	13				
			8	WASHER, PLAIN, 6MM .....	D9	37	14				
			2	WASHER, PLAIN, 6MM .....	D10	38	14				
SWITCH ASSY., OIL LEVEL .....	D4	32	2	WASHER, PLAIN, 6MM .....	D12	40	16				
	D5	33	2	WASHER, PLAIN, 6MM .....	D14	42	14				
SWITCH, THERMO .....	I9	117	1	WASHER, PLAIN, 6MM .....	D15	43	13				
			8	WASHER, SK .....	H7	99	21				
[ T ]				WASHER, SPRING, 4MM .....	H15	107	28				
TANK ASSY., FUEL .....	G11	87	4	WASHER, SPRING, 4MM .....	I1	109	24				
TANK COMP., FUEL .....	G11	87	6	WASHER, SPRING, 5MM .....	I13	121	14				
	G12	88	6	WASHER, SPRING, 8MM .....	I3	111	27				
TOOL KIT .....	I8	116	1	WASHER, THRUST, 16.1MM .....	E7	51	18				
TUBE, 11X100 .....	D1	29	7	WASHER, THRUST, 25MM .....	I2	110	18				
TUBE, 3.5X55 .....	F10	70	41	WASHER, THRUST, 2.7X8 .....	F9	69	33				
	F12	72	45	WEIGHT, BALANCER .....	F12	72	36				
TUBE, 3.5X75 .....	F10	70	42	WEIGHT, BALANCER .....	D16	44	8				
	F13	73	46	WEIGHT, CLUTCH .....	I2	110	10				
TUBE, BREATHER .....	D1	29	7	WEIGHT, CLUTCH .....	D8	36	7				
	G2	78	1	WEIGHT, GOVERNOR .....	D10	38	8				
TUBE, FASTENER, 30MM .....	H15	107	23	WEIGHT, GOVERNOR .....	D11	39	8				
	I1	109	20	WEIGHT, GOVERNOR .....	D13	41	7				
TUBE, FUEL, 4.5X120 .....	G13	89	16	WEIGHT, GOVERNOR .....	D15	43	7				
TUBE, FUEL, 4.5X150 .....	G13	89	17	WIRE, WATER COVER .....	H7	99	15				
TUBE, FUEL, 4.5X222 .....	G13	89	18	WRENCH COMP., SPARK PLUG .....	I8	116	2				
TUBE, FUEL, 4.5X222 .....	G13	89	18	[ Y ]							
TUBE, FUEL, 4.5X430 .....	G13	89	18	YOKE COMP. ....	H6	98	10				
[ V ]											
VALVE ASSY., SOLENOID .....	F11	71	17								
	I9	117	9								
VALVE SET, FLOAT .....	E16	60	2								
	F8	68	2								
	F11	71	2								
VALVE, DASHPOT CHECK .....	F9	69	28								
	F12	72	31								
VALVE, EX. ....	E6	50	9								
VALVE, IN. ....	E6	50	8								



---

**1**

**FOREWORD INDEX**

---

**2**

**ENGINE GROUP**

---

**3**

**PART NUMBER INDEX**

---

**4**

**PART NAME INDEX**

---

**HONDA**  
The Power of Dreams





# PARTS CATALOGUE NEWS

Honda Motor Co., Ltd. Service Division

## PARTS CATALOGUE - CORRECTED

Printed in Japan

CODE NO.	13Z5H602
PARTS CATALOGUE NEWS	GX270U GX270R
NEWS NO.	001

Block No.	Ref. No.	Note	Part No.	Description	Reqd. QTY		Serial No.	Parts catalogue code
					GX 270 U	GX 270 R		
E-14	1	T	16010-ZE2-015	GASKET SET (EXCEPT 16173-001-004)	1	-	-----	SMC4, WMA4, WMT8
		T	16010-ZE2-812	GASKET SET (INCLUDE 16173-001-004)	1	-	-----	HA2, HEA2, HEA8, HXQ4, HX26, HX8, LXE8, LXQ4, LXU, PAE2, PA2, PXE8, PXU, PX26, QAE2, QAE6, QAG, QAG2, QAQ4, QAR2, QAW, QA2, QA26, QE, QHE4, QHQ4, QHR, QHR4, QH26, QKE3, QKE4, QME2, QSC9, QSE2, QSE8, QWA4, QWH2, QXB, QXB6, QXB7, QXB9, QXC4, QXC6, QXC9, QXE4, QXE6, QXE8, QXQ4, QXU, RA2, RHE4, RHG4, RHQ4, RH26, RSC2, RXQ4, RXU, SAX4, SE, SHQ4, SME1, SME6, SMX2, SWA4, SWC4, SXB, SXB7, SXB9, SXEB, SXE4, SXE8, SXQ4, SXU, VAG2, VA2, VDE2, VKB2, VKQ4, VMA4, VME2, VME4, VM2, VNG1, VNT2, VN17, VN19, VSD, VSD7, VSD9, VSH7, VSH9, VWA2, VWN2, VWT4, VW12, VXB, VXB7, VXB9, VXEB, VXE4, VXE6, VXE7, VXE9, VXQ4, VXU1, VX2
					-	1		

NOTE A:PART NO. CHANGE D:NEWLY PROVIDED E:PART NO.DELETION K:REQUIRED NO. CORRECTION L:APPLICATION SERIAL NO. CORRECTION T:APPLICATION CORRECTION Z:REMARKS CHANGE



# PARTS CATALOGUE NEWS

Honda Motor Co., Ltd. Service Division

## PARTS CATALOGUE - CORRECTED

Printed in Japan

CODE NO.	13Z5H602
PARTS CATALOGUE NEWS	GX270U GX270R
NEWS NO.	002

Block No.	Ref. No.	Note	Part No.	Description	Reqd. QTY		Serial No.	Parts catalogue code
					GX 270 U	GX 270 R		
E-23-1	6		31620-ZG5-023	RECTIFIER ASSY., REGULATOR (20A)	1	-	1173628 1200879	QAR2
		A	31620-ZG5-033	.....	1	-	1200880 -----	QAR2

NOTE A:PART NO. CHANGE D:NEWLY PROVIDED E:PART NO.DELETION K:REQUIRED NO. CORRECTION L:APPLICATION SERIAL NO. CORRECTION  
T:APPLICATION CORRECTION Z:REMARKS CHANGE



# PARTS CATALOGUE NEWS

Honda Motor Co., Ltd. Service Division

Printed in Japan

CODE NO.	13Z5H602
PARTS CATALOGUE NEWS	GX270U GX270R
NEWS NO.	003

## GX270U-HKS8 AND GX270R-VNT2,VW12 TYPES sales parts information

NOTE: This Parts Catalogue News explains only the parts of the different model that are produced to conform to addition of the GX270U-HKS8 and GX270R-VNT2,VW12 types.

As for the parts not listed on this Parts Catalogue News, use the parts of the GX270U-HEA8 and GX270R-VKB2,VWN2 types.

**•Models, parts catalogue codes and applicable serial numbers**

Model	Type		Parts catalogue type	Applicable engine serial No.	Applicable carburetor identification No.
GX270U	HEA8	Base type	HEA8	GCALK-1000001~	BE75B B / C
	HKS8	Additional type	HKS8		
GX270R	VKB2	Base type	VKB2		
	VNT2	Additional type	VNT2		
	VWN2	Base type	VWN2		
	VW12	Additional type	VW12		

•Features of each type		Base type	Additional type	Base type	Additional type	Base type	Additional type
		GX270U		GX270R			
Specifications		HEA8	HKS8	VKB2	VNT2	VWN2	VW12
Crankshaft	25mmØ Straight						
	25.4mmØ Straight						
	20mmØ Spline	●	●				
	M20 Stepped thread						
	1" Thread						
	3/16" Tapered			●	●	●	●
	1/5" Tapered						
Fuel tank	●	●					
Starter motor	●	●	●				
Control box	●	●	●				
Reduction	●	●					

## PARTS CATALOGUE NEWS

BOOKNo. : 13Z5H602

Block No.	Ref. No.	Part No.	Description	Reqd. QTY		Base Part No.	Parts catalogue code
				GX 270 U	GX 270 R		
E-3	1	12000-ZH9-Q00	BARREL ASSY., CYLINDER (BALANCER+ALERT)	-	1	12000-ZH9-Q10	VNT2
	4	34150-ZH7-013	ALERT UNIT, OIL .....	-	1		VNT2
	5	90013-883-000	BOLT, FLANGE, 6X12 (CT200) ....	-	1		VNT2
E-6-2	2		PACKING, CASE COVER .....	-	0	11381-ZE2-801	VNT2
	3		COVER ASSY., CRANKCASE .....	-	0	11400-ZE2-671	VNT2
	4		CAP ASSY., OIL FILLER .....	-	0	15600-ZG4-003	VNT2
	5		CAP ASSY., OIL FILLER .....	-	0	15600-735-003	VNT2
	6		PACKING, OIL FILLER CAP .....	-	0	15625-ZE1-003	VNT2
	7		GOVERNOR ASSY. ....	-	0	16510-ZE3-000	VNT2
	8		WEIGHT, GOVERNOR .....	-	0	16511-ZE8-000	VNT2
	9		HOLDER, GOVERNOR WEIGHT .....	-	0	16512-ZE3-000	VNT2
	10		PIN, GOVERNOR WEIGHT .....	-	0	16513-ZE2-000	VNT2
	11		SLIDER, GOVERNOR .....	-	0	16531-Z0A-000	VNT2
	12		WASHER, 6X16 .....	-	0	90473-147-000	VNT2
	13		CLIP, GOVERNOR HOLDER .....	-	0	90602-ZE1-000	VNT2
			.....	-	(0)	90602-896-000	VNT2
	14		DOWEL PIN, 8X12 .....	-	0	90701-HC4-000	VNT2
	15		OIL SEAL, 30X46X8 .....	-	0	91201-890-003	VNT2
	16		WASHER, PLAIN, 6MM .....	-	0	94101-06800	VNT2
	17		BOLT, FLANGE, 8X35 .....	-	0	95701-08035-00	VNT2
	18		BEARING, RADIAL BALL, 6202 ...	-	0	96100-62020-00	VNT2
	19		BEARING, RADIAL BALL, 6206 ...	-	0	96100-62060-00	VNT2
E-6-3	1	11381-ZE2-801	PACKING, CASE COVER .....	-	1		VNT2
	2	11400-ZE2-603	COVER ASSY., CRANKCASE .....	-	1		VNT2

## PARTS CATALOGUE NEWS

BOOKNo. : 13Z5H602

Block No.	Ref. No.	Part No.	Description	Reqd. QTY		Base Part No.	Parts catalogue code
				GX 270 U	GX 270 R		
	3	15600-ZG4-003	CAP ASSY., OIL FILLER .....	-	1	VNT2	
	4	15600-735-003	CAP ASSY., OIL FILLER .....	-	1	VNT2	
	5	15625-ZE1-003	PACKING, OIL FILLER CAP .....	-	2	VNT2	
	6	16510-ZE2-811	GOVERNOR ASSY. ....	-	1	VNT2	
	7	16511-ZE2-000	WEIGHT, GOVERNOR .....	-	2	VNT2	
	8	16512-ZE2-811	HOLDER, GOVERNOR WEIGHT .....	-	1	VNT2	
	9	16513-ZE2-000	PIN, GOVERNOR WEIGHT .....	-	2	VNT2	
	10	16531-Z0A-000	SLIDER, GOVERNOR .....	-	1	VNT2	
	11	90602-ZE1-000	CLIP, GOVERNOR HOLDER .....	-	1	VNT2	
		90602-896-000	.....	-	(1)	VNT2	
	12	90701-HC4-000	DOWEL PIN, 8X12 .....	-	2	VNT2	
	13	91201-890-003	OIL SEAL, 30X46X8 .....	-	1	VNT2	
	14	94101-06800	WASHER, PLAIN, 6MM .....	-	1	VNT2	
	15	95701-08035-00	BOLT, FLANGE, 8X35 .....	-	7	VNT2	
	16	96100-62020-00	BEARING, RADIAL BALL, 6202 ...	-	1	VNT2	
	17	96100-62060-00	BEARING, RADIAL BALL, 6206 ...	-	1	VNT2	
E-8		13010-Z5H-004	RING SET, PISTON (STD.) (TEIKOKU)	1	-	13010-ZE8-601	
		13010-Z5H-004	.....	1	-	13010-ZE8-602	
		13011-Z5H-004	RING SET, PISTON (0.25) (TEIKOKU)	(1)	-	13011-ZE8-601	
		13011-Z5H-004	.....	(1)	-	13011-ZE8-602	
		13012-Z5H-004	RING SET, PISTON (0.50) (TEIKOKU)	(1)	-	13012-ZE8-601	
		13012-Z5H-004	.....	(1)	-	13012-ZE8-602	

## PARTS CATALOGUE NEWS

BOOKNo. : 13Z5H602

Block No.	Ref. No.	Part No.	Description	Reqd. QTY		Base Part No.	Parts catalogue code
				GX 270 U	GX 270 R		
		13013-Z5H-004	RING SET, PISTON (0.75) (TEIKOKU)	(1)	-	13013-ZE8-601	
		13013-Z5H-004	.....	(1)	-	13013-ZE8-602	
	2	13101-ZH9-010	PISTON (STD.) .....	1	-	13101-ZH9-000	
		13102-ZH9-010	PISTON (0.25) .....	(1)	-	13102-ZH9-000	
		13103-ZH9-010	PISTON (0.50) .....	(1)	-	13103-ZH9-000	
		13104-ZH9-010	PISTON (0.75) .....	(1)	-	13104-ZH9-000	
E-11	1	28400-ZE2-W01ZB	STARTER ASSY., RECOIL *NH1*..... BLACK	-	1		VW12
		28400-ZE2-W01ZG	*NH105*... MAT BLACK (#15-#20)	-	1		VW12
	2	28410-ZE2-W01ZB	CASE COMP., RECOIL STARTER *NH1*..... BLACK	-	1		VW12
		28410-ZE2-W01ZG	*NH105*... MAT BLACK (#15-#20)	-	1		VW12
E-12	2	19610-ZE2-010ZF	COVER COMP., FAN *NH246*..... LOOSEY GRAY	-	1		VW12
		19610-ZE2-010ZG	*NH105*... MAT BLACK (#15-#20)	-	1		VW12
	7	36100-ZF6-P82	SWITCH ASSY., ENGINE STOP ....	-	1		VNT2
	9		GROMMET, DRAIN HOLE .....	-	0	81329-567-020	VNT2
E-15	1		PACKING, ELBOW .....	0	-	16271-ZE2-010	
	2		ELEMENT, AIR CLEANER (DUAL) ..	0	-	17210-ZE2-822	
	3		FILTER, OUTER .....	0	-	17218-ZE2-821	
	4		COVER, AIR CLEANER .....	0	-	17231-ZH9-820	
	5		GROMMET, AIR CLEANER .....	0	-	17232-891-000	
	7		COLLAR, AIR CLEANER .....	0	-	17238-ZE2-310	
	8		COLLAR B, AIR CLEANER .....	0	-	17239-ZE1-000	
	9		ELBOW COMP., AIR CLEANER .....	0	-	17410-ZE2-020	

PARTS CATALOGUE NEWS

BOOKNo. : 13Z5H602

Block No.	Ref. No.	Part No.	Description	Reqd. QTY		Base Part No.	Parts catalogue code
				GX 270 U	GX 270 R		
	10		BOLT-WASHER, 6X22 .....	0	-	90009-ZE2-003	
	11		NUT, TOOL BOX SETTING .....	0	-	90325-044-000	
	12		NUT, FLANGE, 6MM .....	0	-	94050-06000	
E-15-2	1	16271-ZE2-010	PACKING, ELBOW .....	1	-		
	2	17210-ZE3-010	ELEMENT, AIR CLEANER .....	1	-		
	3	17218-ZE3-000	FILTER, OUTER .....	1	-		
	4	17231-ZH9-N01	COVER, AIR CLEANER (100DB) ...	1	-		
	5	17232-891-000	GROMMET, AIR CLEANER .....	1	-		
	6	17235-ZH9-N01	NOSE, SILENCER .....	1	-		
	7	17238-ZE2-310	COLLAR, AIR CLEANER .....	2	-		
	8	17239-ZE1-000	COLLAR B, AIR CLEANER .....	1	-		
	9	17410-ZH9-N00	ELBOW COMP., AIR CLEANER .....	1	-		
	10	90009-ZE2-003	BOLT-WASHER, 6X22 .....	1	-		
	11	90325-044-000	NUT, TOOL BOX SETTING .....	2	-		
	12	94050-06000	NUT, FLANGE, 6MM .....	2	-		
E-16	2		MUFFLER COMP. ....	0	-	18310-ZE2-W00	
	3		PROTECTOR COMP., MUFFLER (STD.)	0	-	18320-ZE2-W01	
	4		PROTECTOR, EX. PIPE .....	0	-	18323-ZE2-W00	
	6		PIPE, EX. ....	0	-	18330-ZE2-W00	
	7		CAP, MUFFLER .....	0	-	18331-ZE2-810	
				-	0		VW12
	8		GASKET, EX. PIPE .....	0	-	18333-ZE3-800	
	9		ARRESTER, SPARK .....	(0)	-	18355-ZE2-W00	
			.....	(0)	-	18355-ZE2-010	



## PARTS CATALOGUE NEWS

BOOKNo. : 13Z5H602

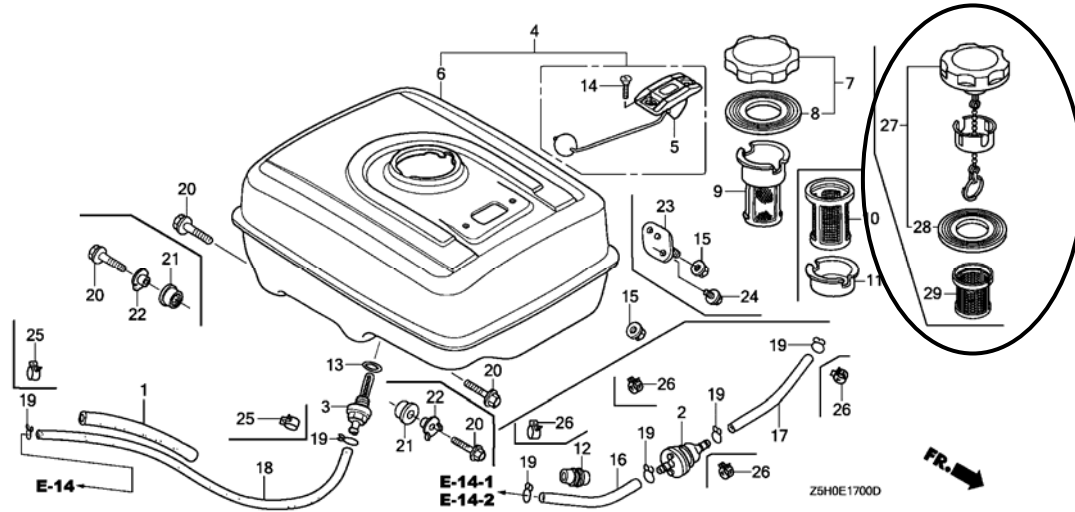
Block No.	Ref. No.	Part No.	Description	Reqd. QTY		Base Part No.	Parts catalogue code
				GX 270 U	GX 270 R		
	10		GASKET, MUFFLER (ARRESTER) ...	(0)	-	18381-ZE2-W10	
	11		GASKET, MUFFLER .....	0	-	18381-ZE2-800	
	19		BOLT, FLANGE, 6X12 (CT200) ....	0	-	90013-883-000	
	20		SCREW, TAPPING, 5X8 .....	0	-	90050-ZE1-000	
	22		SCREW, TAPPING, 5X8 .....	(0)	-	90050-ZE1-000	
	24		SCREW, TAPPING, 4X6 .....	0	-	90055-ZE1-000	
				-	0		VW12
	29		NUT, FLANGE, 8MM .....	0	-	94050-08000	
E-16-1	2	18310-ZE2-W61	MUFFLER COMP. (100DB) .....	1	-		
	3	18320-ZE2-W61	PROTECTOR COMP., MUFFLER .....	1	-		
	5	18330-ZH9-N00	PIPE, EX. ....	1	-		
	6		CAP, MUFFLER .....	-	0	18331-ZE2-810	VNT2
		18331-ZE2-810	.....	1	-		
	7	18333-ZK6-Y00	GASKET, EX. PIPE .....	-	(1)		VNT2
	8	18355-ZE2-W00	ARRESTER, SPARK .....	1	-		
		18355-ZE2-010	.....	(1)	-		
	9	18381-ZE2-W10	GASKET, MUFFLER (ARRESTER) ...	1	-		
	18	90006-ZE2-000	SCREW, TAPPING, 6X10 .....	1	-		
	20	90050-ZE1-000	SCREW, TAPPING, 5X8 .....	4	-		
	22	90050-ZE1-000	SCREW, TAPPING, 5X8 .....	1	-		
		90055-ZE1-000	SCREW, TAPPING, 4X6 .....	(1)	-		
	24		SCREW, TAPPING, 4X6 .....	-	0	90055-ZE1-000	VNT2
		90055-ZE1-000	.....	3	-		
	28	94050-08000	NUT, FLANGE, 8MM .....	5	-		

BOOKNo. : 13Z5H602

Block No.	Ref. No.	Part No.	Description	Reqd. QTY		Base Part No.	Parts catalogue code
				GX 270 U	GX 270 R		
	31	18333-ZF6-W01	GASKET, EX. PIPE .....	1	-		

**E-17 FUEL TANK**

Ref. No.	(Relative ref. Number) Description	FRT
9	(10, 29) 3101A6 FILTER, FUEL .....	0.1



E-17	7	CAP COMP., FUEL FILLER (CHROME PLATED)	0	-	17620-Z0T-305
	8	PACKING, FUEL FILLER CAP (39X62X3)	0	-	17631-Z0T-812
	9	FILTER, FUEL .....	0	-	17672-ZE2-W01
	27	17620-Z4H-020 CAP COMP., FUEL FILLER .....	1	-	
	28	17631-Z0T-801 PACKING, FUEL FILLER CAP (39X62X3)	1	-	
	29	17672-Z4H-000 FILTER, FUEL .....	1	-	
E-19	3	PULLEY COMP., STARTER (SCREEN GRID)	-	0	28450-ZE2-W11
	4	28451-ZE2-W01 PULLEY, STARTER .....	-	1	
	6	31100-ZE2-010 FLYWHEEL COMP. ....	-	1	VNT2

## PARTS CATALOGUE NEWS

BOOKNo. : 13Z5H602

Block No.	Ref. No.	Part No.	Description	Reqd. QTY		Base Part No.	Parts catalogue code
				GX 270 U	GX 270 R		
	9		FLYWHEEL COMP. (4POLE) .....	-	0	31100-ZE2-832	VNT2
E-20	8		CLAMPER, CORD .....	-	0	31511-ZE2-000	VNT2
	10		COIL ASSY., CHARGE (3A) .....	-	0	31630-ZE2-842	VNT2
	15		BOLT, FLANGE, 6X12 (CT200) ....	-	0	90013-883-000	VNT2
	18		BOLT, FLANGE, 6X32 .....	-	0	90017-883-000	VNT2
	20	90684-ZA0-601	CLIP, HARNESS .....	-	1		VNT2
E-21	1		MOTOR ASSY., STARTER .....	-	0	31200-ZH9-013	VNT2
	2		RING, SNAP .....	-	0	31201-ZA1-003	VNT2
	3		COLLAR, CLUTCH STOP .....	-	0	31202-ZA1-003	VNT2
	4		CONTACTOR ASSY. ....	-	0	31204-ZA0-003	VNT2
	5		CLUTCH COMP., OVERRUNNING ....	-	0	31207-ZH9-003	VNT2
	6		BRACKET, CENTER .....	-	0	31211-ZE2-003	VNT2
	7		BRACKET, FR. ....	-	0	31212-ZE2-003	VNT2
	8		GEAR, DRIVE PINION .....	-	0	31213-ZE2-003	VNT2
	9		BRUSH .....	-	0	31215-ZE2-003	VNT2
	10		YOKE COMP. ....	-	0	31216-ZE2-003	VNT2
	11		ARMATURE COMP. ....	-	0	31217-ZE2-003	VNT2
	12		SPRING, BRUSH RETURN .....	-	0	31219-ZE2-003	VNT2
	13		GEAR, REDUCTION .....	-	0	31222-ZE3-791	VNT2
	14		HOLDER, BRUSH .....	-	0	31231-ZE2-003	VNT2
	15		WIRE, WATER COVER .....	-	0	31232-ZE3-003	VNT2
	16		INSULATOR .....	-	0	31233-ZE2-003	VNT2
	17		SPRING .....	-	0	31244-ZH9-003	VNT2
	18		SHAFT .....	-	0	31245-ZH9-003	VNT2

## PARTS CATALOGUE NEWS

BOOKNo. : 13Z5H602

Block No.	Ref. No.	Part No.	Description	Reqd. QTY		Base Part No.	Parts catalogue code
				GX 270 U	GX 270 R		
	19		BOLT-WASHER, 5X14 .....	-	0	90007-ZE2-003	VNT2
	20		SCREW-WASHER, 4X6 .....	-	0	90110-ZE2-003	VNT2
	21		WASHER, SK .....	-	0	90403-ZH9-003	VNT2
	22		PACKING .....	-	0	91601-ZE2-003	VNT2
	23		SCREW-WASHER, 5X32 .....	-	0	93892-05032-18	VNT2
	24		NUT-WASHER, 6MM .....	-	0	94070-06080	VNT2
	25		BOLT, FLANGE, 8X40 .....	-	0	95701-08040-00	VNT2
E-22	1		ARM COMP., GOVERNOR .....	-	0	16550-ZE2-700	VNT2
	2	16551-ZE2-000	ARM, GOVERNOR .....	-	1		VNT2
	4	16561-ZE2-000	SPRING, GOVERNOR .....	-	1	16561-ZH9-U30	VNT2
	5	16562-ZE2-000	SPRING, THROTTLE RETURN .....	-	1	16562-ZE2-700	VNT2
	8		CONTROL ASSY. (REMOTE) .....	-	0	16570-ZE2-W20	VW12
	11	16570-ZE2-722	CONTROL ASSY. ....	-	1		VW12
	12		LEVER, CONTROL .....	-	0	16571-ZE2-W00	VW12
	13		SPRING, LEVER .....	-	0	16574-ZE1-000	VW12
	14		WASHER, CONTROL LEVER .....	-	0	16575-ZE2-W00	VW12
	15		HOLDER, CABLE .....	-	0	16576-891-000	VW12
	16		SPACER, CONTROL LEVER .....	-	0	16578-ZE1-000	VW12
	17		BASE COMP., CONTROL (###) ....	-	0	16581-ZE2-W00	VW12
	20		SPRING, CABLE RETURN .....	-	0	16592-883-310	VW12
	27		NUT, SELF-LOCK, 6MM .....	-	0	90114-SA0-000	VW12
	30		SCREW, PAN, 5X16 .....	-	0	93500-05016-0A	VW12
	31		SCREW, PAN, 5X28 .....	-	0	93500-05028-0A	VW12
	32	93500-05035-0A	SCREW, PAN, 5X35 .....	-	1		VW12

## PARTS CATALOGUE NEWS

BOOKNo. : 13Z5H602

Block No.	Ref. No.	Part No.	Description	Reqd. QTY		Base Part No.	Parts catalogue code
				GX 270 U	GX 270 R		
E-23	2		BOX ASSY., CONTROL (EXP-ALERT) (3A)			31610-Z5J-801ZC	
			*R280*.....POWER RED	-	0		VNT2
	4		CASE, CONTROL .....	-	0	31612-ZE2-003	VNT2
	5		BRACKET, CASE MOUNTING .....	-	0	31614-ZE2-003	VNT2
	6		PANEL COMP., CONTROL *R280*.....POWER RED	-	0	31615-ZE2-003ZG	VNT2
	7		RECTIFIER ASSY., SILICON (SHINDENGEN)	-	0	31700-124-008	VNT2
	9		SUSPENSION, COUPLER .....	-	0	32127-738-700	VNT2
	10		SUB HARNESS .....	-	0	32197-ZE1-003	VNT2
	11		BAND .....	-	0	32902-892-003	VNT2
	12		ALERT UNIT, OIL .....	-	0	34150-ZH7-013	VNT2
	13		SWITCH ASSY., COMBINATION (3A-CHARGE)	-	0	35100-ZE2-843	VNT2
	14		KEY COMP. ....	-	0	35111-880-013	VNT2
	15		HOLDER, STOP SWITCH CORD .....	-	0	36103-ZE1-000	VNT2
	16		PROTECTOR, CIRCUIT (3.5A) ....	-	0	38240-ZE2-840	VNT2
	17		LENS ASSY., PROTECTOR .....	-	0	38250-ZA8-701	VNT2
	18		MARK, CONTROL BOX (EXTERNAL) .	-	0	87529-Z4T-840	VNT2
	19		BOLT, FLANGE, 6X12 (CT200) ....	-	0	90013-883-000	VNT2
	20		SCREW, SPECIAL, 6X12 .....	-	0	90380-MA6-010	VNT2
	21		CLIP, PURSE LOCK .....	-	0	90630-751-000	VNT2
	22		STRAP, CABLE, 118MM (BLACK) ...	-	0	90672-SAO-003	VNT2
	23		TUBE, FASTENER, 30MM .....	-	0	91406-ZE2-003	VNT2
	24		SCREW, PAN, 3X12 .....	-	0	93500-03012-0H	VNT2
	25		SCREW, PAN, 4X12 .....	-	0	93500-04012-0H	VNT2

## PARTS CATALOGUE NEWS

BOOKNo. : 13Z5H602

Block No.	Ref. No.	Part No.	Description	Reqd. QTY		Base Part No.	Parts catalogue code
				GX 270 U	GX 270 R		
	26		NUT, HEX., 4MM .....	-	0	94001-04390-0S	VNT2
	27		WASHER, PLAIN, 4MM .....	-	0	94101-04800	VNT2
	28		WASHER, SPRING, 4MM .....	-	0	94111-04800	VNT2
	29		FUSE, BLADE (15A) .....	-	0	98200-31500	VNT2
E-28	2	87516-ZH7-000	MARK, OPERATOR CAUTION (ENGLISH) (MADE IN JAPAN)	-	1		VNT2
	5		MARK, THROTTLE INDICATION ....	-	0	87532-ZH7-000	VW12
E-40	3	18331-ZE2-810	CAP, MUFFLER .....	-	1		VNT2
	10	90055-ZE1-000	SCREW, TAPPING, 4X6 .....	-	3		VNT2
E-40-1	1		MARK, OPERATOR CAUTION (ENGLISH) (MADE IN JAPAN)	-	0	87516-ZH7-000	VNT2
EOP-1	1	06111-ZK9-S01	GASKET KIT .....	-	1		VNT2



# PARTS CATALOGUE NEWS

Honda Motor Co., Ltd. Service Division

## PARTS CATALOGUE - CORRECTED

Printed in Japan

CODE NO.	13Z5H602
PARTS CATALOGUE NEWS	GX270U GX270R
NEWS NO.	004

Block No.	Ref. No.	Note	Part No.	Description	Reqd. QTY		Serial No.	Parts catalogue code
					GX 270 U	GX 270 R		
E-8	1	L	13010-ZE8-601	RING SET, PISTON (STD.) (NIPPON)	1	-	----- 1200783	HA2, HEA2, HEA8, HXQ4, HX26, HX8, LXE8, LXQ4, LXU, PAE2, PA2, PXE8 PXU, PX26, QAE2, QAE6, QAG, QAG2, QAQ4, QAR2, QAW, QA2, QA26, QE QHE4, QHQ4, QHR, QHR4, QH26, QKE3, QKE4, QME2, QSC9, QSE2, QSE8 QWA4, QWH2, QXB, QXB6, QXB7, QXB9, QXC4, QXC6, QXC9, QXE4, QXE6 QXE8, QXQ4, QXU, RA2, RHE4, RHQ4, RH26, RSC2, RXQ4, RXU, SAX4, SE SHQ4, SMC4, SME1, SME6, SMX2, SWA4, SWC4, SXB, SXB7, SXB9, SXEB SXE4, SXE8, SXQ4, SXU, VAG2, VA2, VDE2, VE39, VKB2, VKE4, VKE9, VKQ4 VKX4, VKX9, VMA4, VME2, VME4, VMS2, VMX2, VM2, VNG1, VNT2, VN17 VN19, VPE4, VPE5, VPE7, VPE9, VPX4, VPX5, VPX7, VPX9, VSD, VSD3 VSD7, VSD9, VSH7, VSH9, VS37, VS39, VWA2, VWN2, VWT4, VW12, VXB VXB7, VXB9, VXEB, VXE4, VXE6, VXE7, VXE9, VXQ4, VXU1, VX2, VX39 WMA4, WMT8
		L	13010-ZE8-602	RING SET, PISTON (STD.) (TEIKOKU)	1	-	----- 1200783	HA2, HEA2, HEA8, HXQ4, HX26, HX8, LXE8, LXQ4, LXU, PAE2, PA2, PXE8 PXU, PX26, QAE2, QAE6, QAG, QAG2, QAQ4, QAR2, QAW, QA2, QA26, QE QHE4, QHQ4, QHR, QHR4, QH26, QKE3, QKE4, QME2, QSC9, QSE2, QSE8 QWA4, QWH2, QXB, QXB6, QXB7, QXB9, QXC4, QXC6, QXC9, QXE4, QXE6 QXE8, QXQ4, QXU, RA2, RHE4, RHQ4, RH26, RSC2, RXQ4, RXU, SAX4, SE SHQ4, SMC4, SME1, SME6, SMX2, SWA4, SWC4, SXB, SXB7, SXB9, SXEB SXE4, SXE8, SXQ4, SXU, VAG2, VA2, VDE2, VE39, VKB2, VKE4, VKE9, VKQ4 VKX4, VKX9, VMA4, VME2, VME4, VMS2, VMX2, VM2, VNG1, VNT2, VN17 VN19, VPE4, VPE5, VPE7, VPE9, VPX4, VPX5, VPX7, VPX9, VSD, VSD3 VSD7, VSD9, VSH7, VSH9, VS37, VS39, VWA2, VWN2, VWT4, VW12, VXB VXB7, VXB9, VXEB, VXE4, VXE6, VXE7, VXE9, VXQ4, VXU1, VX2, VX39 WMA4, WMT8

NOTE A:PART NO. CHANGE D:NEWLY PROVIDED E:PART NO.DELETION K:REQUIRED NO. CORRECTION L:APPLICATION SERIAL NO. CORRECTION  
T:APPLICATION CORRECTION Z:REMARKS CHANGE

## PARTS CATALOGUE NEWS

BOOKNo. : 13Z5H602

Block No.	Ref. No.	Note	Part No.	Description	Reqd. QTY		Serial No.	Parts catalogue code
					GX 270 U	GX 270 R		
		L	13011-ZE8-601	RING SET, PISTON (0.25) (NIPPON)	(1)	-	----- 1200783	HA2, HEA2, HEA8, HXQ4, HX26, HX8, LXE8, LXQ4, LXU, PAE2, PA2, PXE8 PXU, PX26, QAE2, QAE6, QAG, QAG2, QAQ4, QAR2, QAW, QA2, QA26, QE QHE4, QHQ4, QHR, QHR4, QH26, QKE3, QKE4, QME2, QSC9, QSE2, QSE8 QWA4, QWH2, QXB, QXB6, QXB7, QXB9, QXC4, QXC6, QXC9, QXE4, QXE6 QXE8, QXQ4, QXU, RA2, RHE4, RHQ4, RH26, RSC2, RXQ4, RXU, SAX4, SE SHQ4, SMC4, SME1, SME6, SMX2, SWA4, SWC4, SXB, SXB7, SXB9, SXEB SXE4, SXE8, SXQ4, SXU, VAG2, VA2, VDE2, VE39, VKB2, VKE4, VKE9, VKQ4 VKX4, VKX9, VMA4, VME2, VME4, VMS2, VMX2, VM2, VNG1, VNT2, VN17 VN19, VPE4, VPE5, VPE7, VPE9, VPX4, VPX5, VPX7, VPX9, VSD, VSD3 VSD7, VSD9, VSH7, VSH9, VS37, VS39, VWA2, VWN2, VWT4, VW12, VXB VXB7, VXB9, VXEB, VXE4, VXE6, VXE7, VXE9, VXQ4, VXU1, VX2, VX39 WMA4, WMT8
		L	13011-ZE8-602	RING SET, PISTON (0.25) (TEIKOKU)	(1)	-	----- 1200783	HA2, HEA2, HEA8, HXQ4, HX26, HX8, LXE8, LXQ4, LXU, PAE2, PA2, PXE8 PXU, PX26, QAE2, QAE6, QAG, QAG2, QAQ4, QAR2, QAW, QA2, QA26, QE QHE4, QHQ4, QHR, QHR4, QH26, QKE3, QKE4, QME2, QSC9, QSE2, QSE8 QWA4, QWH2, QXB, QXB6, QXB7, QXB9, QXC4, QXC6, QXC9, QXE4, QXE6 QXE8, QXQ4, QXU, RA2, RHE4, RHQ4, RH26, RSC2, RXQ4, RXU, SAX4, SE SHQ4, SMC4, SME1, SME6, SMX2, SWA4, SWC4, SXB, SXB7, SXB9, SXEB SXE4, SXE8, SXQ4, SXU, VAG2, VA2, VDE2, VE39, VKB2, VKE4, VKE9, VKQ4 VKX4, VKX9, VMA4, VME2, VME4, VMS2, VMX2, VM2, VNG1, VNT2, VN17 VN19, VPE4, VPE5, VPE7, VPE9, VPX4, VPX5, VPX7, VPX9, VSD, VSD3 VSD7, VSD9, VSH7, VSH9, VS37, VS39, VWA2, VWN2, VWT4, VW12, VXB VXB7, VXB9, VXEB, VXE4, VXE6, VXE7, VXE9, VXQ4, VXU1, VX2, VX39 WMA4, WMT8
		L	13012-ZE8-601	RING SET, PISTON (0.50) (NIPPON)	(1)	-	----- 1200783	HA2, HEA2, HEA8, HXQ4, HX26, HX8, LXE8, LXQ4, LXU, PAE2, PA2, PXE8 PXU, PX26, QAE2, QAE6, QAG, QAG2, QAQ4, QAR2, QAW, QA2, QA26, QE QHE4, QHQ4, QHR, QHR4, QH26, QKE3, QKE4, QME2, QSC9, QSE2, QSE8 QWA4, QWH2, QXB, QXB6, QXB7, QXB9, QXC4, QXC6, QXC9, QXE4, QXE6 QXE8, QXQ4, QXU, RA2, RHE4, RHQ4, RH26, RSC2, RXQ4, RXU, SAX4, SE SHQ4, SMC4, SME1, SME6, SMX2, SWA4, SWC4, SXB, SXB7, SXB9, SXEB SXE4, SXE8, SXQ4, SXU, VAG2, VA2, VDE2, VE39, VKB2, VKE4, VKE9, VKQ4 VKX4, VKX9, VMA4, VME2, VME4, VMS2, VMX2, VM2, VNG1, VNT2, VN17 VN19, VPE4, VPE5, VPE7, VPE9, VPX4, VPX5, VPX7, VPX9, VSD, VSD3 VSD7, VSD9, VSH7, VSH9, VS37, VS39, VWA2, VWN2, VWT4, VW12, VXB VXB7, VXB9, VXEB, VXE4, VXE6, VXE7, VXE9, VXQ4, VXU1, VX2, VX39 WMA4, WMT8

NOTE A:PART NO. CHANGE D:NEWLY PROVIDED E:PART NO.DELETION K:REQUIRED NO. CORRECTION L:APPLICATION SERIAL NO. CORRECTION  
T:APPLICATION CORRECTION Z:REMARKS CHANGE



## PARTS CATALOGUE NEWS

BOOKNo. : 13Z5H602

Block No.	Ref. No.	Note	Part No.	Description	Reqd. QTY		Serial No.	Parts catalogue code
					GX 270 U	GX 270 R		
		L	13012-ZE8-602	RING SET, PISTON (0.50) (TEIKOKU)	(1)	-	----- 1200783	HA2, HEA2, HEA8, HXQ4, HX26, HX8, LXE8, LXQ4, LXU, PAE2, PA2, PXE8 PXU, PX26, QAE2, QAE6, QAG, QAG2, QAQ4, QAR2, QAW, QA2, QA26, QE QHE4, QHQ4, QHR, QHR4, QH26, QKE3, QKE4, QME2, QSC9, QSE2, QSE8 QWA4, QWH2, QXB, QXB6, QXB7, QXB9, QXC4, QXC6, QXC9, QXE4, QXE6 QXE8, QXQ4, QXU, RA2, RHE4, RHQ4, RH26, RSC2, RXQ4, RXU, SAX4, SE SHQ4, SMC4, SME1, SME6, SMX2, SWA4, SWC4, SXB, SXB7, SXB9, SXEB SXE4, SXE8, SXQ4, SXU, VAG2, VA2, VDE2, VE39, VKB2, VKE4, VKE9, VKQ4 VKX4, VKX9, VMA4, VME2, VME4, VMS2, VMX2, VM2, VNG1, VNT2, VN17 VN19, VPE4, VPE5, VPE7, VPE9, VPX4, VPX5, VPX7, VPX9, VSD, VSD3 VSD7, VSD9, VSH7, VSH9, VS37, VS39, VWA2, VWN2, VWT4, VW12, VXB VXB7, VXB9, VXEB, VXE4, VXE6, VXE7, VXE9, VXQ4, VXU1, VX2, VX39 WMA4, WMT8
		L	13013-ZE8-601	RING SET, PISTON (0.75) (NIPPON)	(1)	-	----- 1200783	HA2, HEA2, HEA8, HXQ4, HX26, HX8, LXE8, LXQ4, LXU, PAE2, PA2, PXE8 PXU, PX26, QAE2, QAE6, QAG, QAG2, QAQ4, QAR2, QAW, QA2, QA26, QE QHE4, QHQ4, QHR, QHR4, QH26, QKE3, QKE4, QME2, QSC9, QSE2, QSE8 QWA4, QWH2, QXB, QXB6, QXB7, QXB9, QXC4, QXC6, QXC9, QXE4, QXE6 QXE8, QXQ4, QXU, RA2, RHE4, RHQ4, RH26, RSC2, RXQ4, RXU, SAX4, SE SHQ4, SMC4, SME1, SME6, SMX2, SWA4, SWC4, SXB, SXB7, SXB9, SXEB SXE4, SXE8, SXQ4, SXU, VAG2, VA2, VDE2, VE39, VKB2, VKE4, VKE9, VKQ4 VKX4, VKX9, VMA4, VME2, VME4, VMS2, VMX2, VM2, VNG1, VNT2, VN17 VN19, VPE4, VPE5, VPE7, VPE9, VPX4, VPX5, VPX7, VPX9, VSD, VSD3 VSD7, VSD9, VSH7, VSH9, VS37, VS39, VWA2, VWN2, VWT4, VW12, VXB VXB7, VXB9, VXEB, VXE4, VXE6, VXE7, VXE9, VXQ4, VXU1, VX2, VX39 WMA4, WMT8
		L	13013-ZE8-602	RING SET, PISTON (0.75) (TEIKOKU)	(1)	-	----- 1200783	HA2, HEA2, HEA8, HXQ4, HX26, HX8, LXE8, LXQ4, LXU, PAE2, PA2, PXE8 PXU, PX26, QAE2, QAE6, QAG, QAG2, QAQ4, QAR2, QAW, QA2, QA26, QE QHE4, QHQ4, QHR, QHR4, QH26, QKE3, QKE4, QME2, QSC9, QSE2, QSE8 QWA4, QWH2, QXB, QXB6, QXB7, QXB9, QXC4, QXC6, QXC9, QXE4, QXE6 QXE8, QXQ4, QXU, RA2, RHE4, RHQ4, RH26, RSC2, RXQ4, RXU, SAX4, SE SHQ4, SMC4, SME1, SME6, SMX2, SWA4, SWC4, SXB, SXB7, SXB9, SXEB SXE4, SXE8, SXQ4, SXU, VAG2, VA2, VDE2, VE39, VKB2, VKE4, VKE9, VKQ4 VKX4, VKX9, VMA4, VME2, VME4, VMS2, VMX2, VM2, VNG1, VNT2, VN17 VN19, VPE4, VPE5, VPE7, VPE9, VPX4, VPX5, VPX7, VPX9, VSD, VSD3 VSD7, VSD9, VSH7, VSH9, VS37, VS39, VWA2, VWN2, VWT4, VW12, VXB VXB7, VXB9, VXEB, VXE4, VXE6, VXE7, VXE9, VXQ4, VXU1, VX2, VX39 WMA4, WMT8
		T	13010-Z5H-004	RING SET, PISTON (STD.) (TEIKOKU)	1	-	----- -----	HKS8, RHG4

NOTE A:PART NO. CHANGE D:NEWLY PROVIDED E:PART NO.DELETION K:REQUIRED NO. CORRECTION L:APPLICATION SERIAL NO. CORRECTION  
T:APPLICATION CORRECTION Z:REMARKS CHANGE

## PARTS CATALOGUE NEWS

BOOKNo. : 13Z5H602

Block No.	Ref. No.	Note	Part No.	Description	Reqd. QTY		Serial No.	Parts catalogue code
					GX 270 U	GX 270 R		
					1	-	1200784	HA2, HEA2, HEA8, HXQ4, HX26, HX8, LXE8, LXQ4, LXU, PAE2, PA2, PXE8 PXU, PX26, QAE2, QAE6, QAG, QAG2, QAQ4, QAR2, QAW, QA2, QA26, QE QHE4, QHQ4, QHR, QHR4, QH26, QKE3, QKE4, QME2, QSC9, QSE2, QSE8 QWA4, QWH2, QXB, QXB6, QXB7, QXB9, QXC4, QXC6, QXC9, QXE4, QXE6 QXE8, QXQ4, QXU, RA2, RHE4, RHQ4, RH26, RSC2, RXQ4, RXU, SAX4, SE SHQ4, SMC4, SME1, SME6, SMX2, SWA4, SWC4, SXB, SXB7, SXB9, SXEB SXE4, SXE8, SXQ4, SXU, VAG2, VA2, VDE2, VE39, VKB2, VKE4, VKE9, VKQ4 VKX4, VKX9, VMA4, VME2, VME4, VMS2, VMX2, VM2, VNG1, VNT2, VN17 VN19, VPE4, VPE5, VPE7, VPE9, VPX4, VPX5, VPX7, VPX9, VSD, VSD3 VSD7, VSD9, VSH7, VSH9, VS37, VS39, VWA2, VWN2, VWT4, VW12, VXB VXB7, VXB9, VXEB, VXE4, VXE6, VXE7, VXE9, VXQ4, VXU1, VX2, VX39 WMA4, WMT8
					-	1		
		T	13011-Z5H-004	RING SET, PISTON (0.25) (TEIKOKU)	(1)	-	-----	HKS8, RHG4
					(1)	-	1200784	HA2, HEA2, HEA8, HXQ4, HX26, HX8, LXE8, LXQ4, LXU, PAE2, PA2, PXE8 PXU, PX26, QAE2, QAE6, QAG, QAG2, QAQ4, QAR2, QAW, QA2, QA26, QE QHE4, QHQ4, QHR, QHR4, QH26, QKE3, QKE4, QME2, QSC9, QSE2, QSE8 QWA4, QWH2, QXB, QXB6, QXB7, QXB9, QXC4, QXC6, QXC9, QXE4, QXE6 QXE8, QXQ4, QXU, RA2, RHE4, RHQ4, RH26, RSC2, RXQ4, RXU, SAX4, SE SHQ4, SMC4, SME1, SME6, SMX2, SWA4, SWC4, SXB, SXB7, SXB9, SXEB SXE4, SXE8, SXQ4, SXU, VAG2, VA2, VDE2, VE39, VKB2, VKE4, VKE9, VKQ4 VKX4, VKX9, VMA4, VME2, VME4, VMS2, VMX2, VM2, VNG1, VNT2, VN17 VN19, VPE4, VPE5, VPE7, VPE9, VPX4, VPX5, VPX7, VPX9, VSD, VSD3 VSD7, VSD9, VSH7, VSH9, VS37, VS39, VWA2, VWN2, VWT4, VW12, VXB VXB7, VXB9, VXEB, VXE4, VXE6, VXE7, VXE9, VXQ4, VXU1, VX2, VX39 WMA4, WMT8
					-	(1)		
		T	13012-Z5H-004	RING SET, PISTON (0.50) (TEIKOKU)	(1)	-	-----	HKS8, RHG4
					(1)	-	1200784	HA2, HEA2, HEA8, HXQ4, HX26, HX8, LXE8, LXQ4, LXU, PAE2, PA2, PXE8 PXU, PX26, QAE2, QAE6, QAG, QAG2, QAQ4, QAR2, QAW, QA2, QA26, QE QHE4, QHQ4, QHR, QHR4, QH26, QKE3, QKE4, QME2, QSC9, QSE2, QSE8 QWA4, QWH2, QXB, QXB6, QXB7, QXB9, QXC4, QXC6, QXC9, QXE4, QXE6 QXE8, QXQ4, QXU, RA2, RHE4, RHQ4, RH26, RSC2, RXQ4, RXU, SAX4, SE SHQ4, SMC4, SME1, SME6, SMX2, SWA4, SWC4, SXB, SXB7, SXB9, SXEB SXE4, SXE8, SXQ4, SXU, VAG2, VA2, VDE2, VE39, VKB2, VKE4, VKE9, VKQ4 VKX4, VKX9, VMA4, VME2, VME4, VMS2, VMX2, VM2, VNG1, VNT2, VN17 VN19, VPE4, VPE5, VPE7, VPE9, VPX4, VPX5, VPX7, VPX9, VSD, VSD3 VSD7, VSD9, VSH7, VSH9, VS37, VS39, VWA2, VWN2, VWT4, VW12, VXB VXB7, VXB9, VXEB, VXE4, VXE6, VXE7, VXE9, VXQ4, VXU1, VX2, VX39 WMA4, WMT8

NOTE A:PART NO. CHANGE D:NEWLY PROVIDED E:PART NO.DELETION K:REQUIRED NO. CORRECTION L:APPLICATION SERIAL NO. CORRECTION  
T:APPLICATION CORRECTION Z:REMARKS CHANGE

PARTS CATALOGUE NEWS

BOOKNo. : 13Z5H602

Block No.	Ref. No.	Note	Part No.	Description	Reqd. QTY		Serial No.	Parts catalogue code
					GX 270 U	GX 270 R		
					-	(1)		
		T	13013-Z5H-004	RING SET, PISTON (0.75) (TEIKOKU)	(1)	-	-----	HKS8, RHG4
					(1)	-	1200784	HA2, HEA2, HEA8, HXQ4, HX26, HX8, LXE8, LXQ4, LXU, PAE2, PA2, PXE8 PXU, PX26, QAE2, QAE6, QAG, QAG2, QAQ4, QAR2, QAW, QA2, QA26, QE QHE4, QHQ4, QHR, QHR4, QH26, QKE3, QKE4, QME2, QSC9, QSE2, QSE8 QWA4, QWH2, QXB, QXB6, QXB7, QXB9, QXC4, QXC6, QXC9, QXE4, QXE6 QXE8, QXQ4, QXU, RA2, RHE4, RHQ4, RH26, RSC2, RXQ4, RXU, SAX4, SE SHQ4, SMC4, SME1, SME6, SMX2, SWA4, SWC4, SXB, SXB7, SXB9, SXEB SXE4, SXE8, SXQ4, SXU, VAG2, VA2, VDE2, VE39, VKB2, VKE4, VKE9, VKQ4 VKX4, VKX9, VMA4, VME2, VME4, VMS2, VMX2, VM2, VNG1, VNT2, VN17 VN19, VPE4, VPE5, VPE7, VPE9, VPX4, VPX5, VPX7, VPX9, VSD, VSD3 VSD7, VSD9, VSH7, VSH9, VS37, VS39, VWA2, VWN2, WWT4, VW12, VXB VXB7, VXB9, VXEB, VXE4, VXE6, VXE7, VXE9, VXQ4, VXU1, VX2, VX39 WMA4, WMT8
					-	(1)		
	2	L	13101-ZH9-000	PISTON (STD.) .....	1	-	-----	1200783
								HA2, HEA2, HEA8, HXQ4, HX26, HX8, LXE8, LXQ4, LXU, PAE2, PA2, PXE8 PXU, PX26, QAE2, QAE6, QAG, QAG2, QAQ4, QAR2, QAW, QA2, QA26, QE QHE4, QHQ4, QHR, QHR4, QH26, QKE3, QKE4, QME2, QSC9, QSE2, QSE8 QWA4, QWH2, QXB, QXB6, QXB7, QXB9, QXC4, QXC6, QXC9, QXE4, QXE6 QXE8, QXQ4, QXU, RA2, RHE4, RHQ4, RH26, RSC2, RXQ4, RXU, SAX4, SE SHQ4, SMC4, SME1, SME6, SMX2, SWA4, SWC4, SXB, SXB7, SXB9, SXEB SXE4, SXE8, SXQ4, SXU, VAG2, VA2, VDE2, VE39, VKB2, VKE4, VKE9, VKQ4 VKX4, VKX9, VMA4, VME2, VME4, VMS2, VMX2, VM2, VNG1, VNT2, VN17 VN19, VPE4, VPE5, VPE7, VPE9, VPX4, VPX5, VPX7, VPX9, VSD, VSD3 VSD7, VSD9, VSH7, VSH9, VS37, VS39, VWA2, VWN2, WWT4, VW12, VXB VXB7, VXB9, VXEB, VXE4, VXE6, VXE7, VXE9, VXQ4, VXU1, VX2, VX39 WMA4, WMT8
		L	13102-ZH9-000	PISTON (0.25) .....	(1)	-	-----	1200783
								HA2, HEA2, HEA8, HXQ4, HX26, HX8, LXE8, LXQ4, LXU, PAE2, PA2, PXE8 PXU, PX26, QAE2, QAE6, QAG, QAG2, QAQ4, QAR2, QAW, QA2, QA26, QE QHE4, QHQ4, QHR, QHR4, QH26, QKE3, QKE4, QME2, QSC9, QSE2, QSE8 QWA4, QWH2, QXB, QXB6, QXB7, QXB9, QXC4, QXC6, QXC9, QXE4, QXE6 QXE8, QXQ4, QXU, RA2, RHE4, RHQ4, RH26, RSC2, RXQ4, RXU, SAX4, SE SHQ4, SMC4, SME1, SME6, SMX2, SWA4, SWC4, SXB, SXB7, SXB9, SXEB SXE4, SXE8, SXQ4, SXU, VAG2, VA2, VDE2, VE39, VKB2, VKE4, VKE9, VKQ4 VKX4, VKX9, VMA4, VME2, VME4, VMS2, VMX2, VM2, VNG1, VNT2, VN17 VN19, VPE4, VPE5, VPE7, VPE9, VPX4, VPX5, VPX7, VPX9, VSD, VSD3 VSD7, VSD9, VSH7, VSH9, VS37, VS39, VWA2, VWN2, WWT4, VW12, VXB VXB7, VXB9, VXEB, VXE4, VXE6, VXE7, VXE9, VXQ4, VXU1, VX2, VX39 WMA4, WMT8

NOTE A:PART NO. CHANGE D:NEWLY PROVIDED E:PART NO.DELETION K:REQUIRED NO. CORRECTION L:APPLICATION SERIAL NO. CORRECTION  
T:APPLICATION CORRECTION Z:REMARKS CHANGE

PARTS CATALOGUE NEWS

BOOKNo. : 13Z5H602

Block No.	Ref. No.	Note	Part No.	Description	Reqd. QTY		Serial No.	Parts catalogue code
					GX 270 U	GX 270 R		
		L	13103-ZH9-000	PISTON (0.50) .....	(1)	-	----- 1200783	HA2, HEA2, HEA8, HXQ4, HX26, HX8, LXE8, LXQ4, LXU, PAE2, PA2, PXE8 PXU, PX26, QAE2, QAE6, QAG, QAG2, QAQ4, QAR2, QAW, QA2, QA26, QE QHE4, QHQ4, QHR, QHR4, QH26, QKE3, QKE4, QME2, QSC9, QSE2, QSE8 QWA4, QWH2, QXB, QXB6, QXB7, QXB9, QXC4, QXC6, QXC9, QXE4, QXE6 QXE8, QXQ4, QXU, RA2, RHE4, RHQ4, RH26, RSC2, RXQ4, RXU, SAX4, SE SHQ4, SMC4, SME1, SME6, SMX2, SWA4, SWC4, SXB, SXB7, SXB9, SXEB SXE4, SXE8, SXQ4, SXU, VAG2, VA2, VDE2, VE39, VKB2, VKE4, VKE9, VKQ4 VKX4, VKX9, VMA4, VME2, VME4, VMS2, VMX2, VM2, VNG1, VNT2, VN17 VN19, VPE4, VPE5, VPE7, VPE9, VPX4, VPX5, VPX7, VPX9, VSD, VSD3 VSD7, VSD9, VSH7, VSH9, VS37, VS39, VWA2, VWN2, VWT4, VW12, VXB VXB7, VXB9, VXEB, VXE4, VXE6, VXE7, VXE9, VXQ4, VXU1, VX2, VX39 WMA4, WMT8
		L	13104-ZH9-000	PISTON (0.75) .....	(1)	-	----- 1200783	HA2, HEA2, HEA8, HXQ4, HX26, HX8, LXE8, LXQ4, LXU, PAE2, PA2, PXE8 PXU, PX26, QAE2, QAE6, QAG, QAG2, QAQ4, QAR2, QAW, QA2, QA26, QE QHE4, QHQ4, QHR, QHR4, QH26, QKE3, QKE4, QME2, QSC9, QSE2, QSE8 QWA4, QWH2, QXB, QXB6, QXB7, QXB9, QXC4, QXC6, QXC9, QXE4, QXE6 QXE8, QXQ4, QXU, RA2, RHE4, RHQ4, RH26, RSC2, RXQ4, RXU, SAX4, SE SHQ4, SMC4, SME1, SME6, SMX2, SWA4, SWC4, SXB, SXB7, SXB9, SXEB SXE4, SXE8, SXQ4, SXU, VAG2, VA2, VDE2, VE39, VKB2, VKE4, VKE9, VKQ4 VKX4, VKX9, VMA4, VME2, VME4, VMS2, VMX2, VM2, VNG1, VNT2, VN17 VN19, VPE4, VPE5, VPE7, VPE9, VPX4, VPX5, VPX7, VPX9, VSD, VSD3 VSD7, VSD9, VSH7, VSH9, VS37, VS39, VWA2, VWN2, VWT4, VW12, VXB VXB7, VXB9, VXEB, VXE4, VXE6, VXE7, VXE9, VXQ4, VXU1, VX2, VX39 WMA4, WMT8
		T	13101-ZH9-010	PISTON (STD.) .....	1	-	----- -----	HKS8, RHG4
					1	-	1200784 -----	HA2, HEA2, HEA8, HXQ4, HX26, HX8, LXE8, LXQ4, LXU, PAE2, PA2, PXE8 PXU, PX26, QAE2, QAE6, QAG, QAG2, QAQ4, QAR2, QAW, QA2, QA26, QE QHE4, QHQ4, QHR, QHR4, QH26, QKE3, QKE4, QME2, QSC9, QSE2, QSE8 QWA4, QWH2, QXB, QXB6, QXB7, QXB9, QXC4, QXC6, QXC9, QXE4, QXE6 QXE8, QXQ4, QXU, RA2, RHE4, RHQ4, RH26, RSC2, RXQ4, RXU, SAX4, SE SHQ4, SMC4, SME1, SME6, SMX2, SWA4, SWC4, SXB, SXB7, SXB9, SXEB SXE4, SXE8, SXQ4, SXU, VAG2, VA2, VDE2, VE39, VKB2, VKE4, VKE9, VKQ4 VKX4, VKX9, VMA4, VME2, VME4, VMS2, VMX2, VM2, VNG1, VNT2, VN17 VN19, VPE4, VPE5, VPE7, VPE9, VPX4, VPX5, VPX7, VPX9, VSD, VSD3 VSD7, VSD9, VSH7, VSH9, VS37, VS39, VWA2, VWN2, VWT4, VW12, VXB VXB7, VXB9, VXEB, VXE4, VXE6, VXE7, VXE9, VXQ4, VXU1, VX2, VX39 WMA4, WMT8
					-	1		
		T	13102-ZH9-010	PISTON (0.25) .....	(1)	-	----- -----	HKS8, RHG4

NOTE A:PART NO. CHANGE D:NEWLY PROVIDED E:PART NO.DELETION K:REQUIRED NO. CORRECTION L:APPLICATION SERIAL NO. CORRECTION  
T:APPLICATION CORRECTION Z:REMARKS CHANGE

PARTS CATALOGUE NEWS

BOOKNo. : 13Z5H602

Block No.	Ref. No.	Note	Part No.	Description	Reqd. QTY		Serial No.	Parts catalogue code
					GX 270 U	GX 270 R		
					(1)	-	1200784	----- HA2, HEA2, HEA8, HXQ4, HX26, HX8, LXE8, LXQ4, LXU, PAE2, PA2, PXE8 PXU, PX26, QAE2, QAE6, QAG, QAG2, QAQ4, QAR2, QAW, QA2, QA26, QE QHE4, QHQ4, QHR, QHR4, QH26, QKE3, QKE4, QME2, QSC9, QSE2, QSE8 QWA4, QWH2, QXB, QXB6, QXB7, QXB9, QXC4, QXC6, QXC9, QXE4, QXE6 QXE8, QXQ4, QXU, RA2, RHE4, RHQ4, RH26, RSC2, RXQ4, RXU, SAX4, SE SHQ4, SMC4, SME1, SME6, SMX2, SWA4, SWC4, SXB, SXB7, SXB9, SXEB SXE4, SXE8, SXQ4, SXU, VAG2, VA2, VDE2, VE39, VKB2, VKE4, VKE9, VKQ4 VKX4, VKX9, VMA4, VME2, VME4, VMS2, VMX2, VM2, VNG1, VNT2, VN17 VN19, VPE4, VPE5, VPE7, VPE9, VPX4, VPX5, VPX7, VPX9, VSD, VSD3 VSD7, VSD9, VSH7, VSH9, VS37, VS39, VWA2, VWN2, VWT4, VW12, VXB VXB7, VXB9, VXEB, VXE4, VXE6, VXE7, VXE9, VXQ4, VXU1, VX2, VX39 WMA4, WMT8
					-	(1)		
		T	13103-ZH9-010	PISTON (0.50) .....	(1)	-	-----	----- HKS8, RHG4
					(1)	-	1200784	----- HA2, HEA2, HEA8, HXQ4, HX26, HX8, LXE8, LXQ4, LXU, PAE2, PA2, PXE8 PXU, PX26, QAE2, QAE6, QAG, QAG2, QAQ4, QAR2, QAW, QA2, QA26, QE QHE4, QHQ4, QHR, QHR4, QH26, QKE3, QKE4, QME2, QSC9, QSE2, QSE8 QWA4, QWH2, QXB, QXB6, QXB7, QXB9, QXC4, QXC6, QXC9, QXE4, QXE6 QXE8, QXQ4, QXU, RA2, RHE4, RHQ4, RH26, RSC2, RXQ4, RXU, SAX4, SE SHQ4, SMC4, SME1, SME6, SMX2, SWA4, SWC4, SXB, SXB7, SXB9, SXEB SXE4, SXE8, SXQ4, SXU, VAG2, VA2, VDE2, VE39, VKB2, VKE4, VKE9, VKQ4 VKX4, VKX9, VMA4, VME2, VME4, VMS2, VMX2, VM2, VNG1, VNT2, VN17 VN19, VPE4, VPE5, VPE7, VPE9, VPX4, VPX5, VPX7, VPX9, VSD, VSD3 VSD7, VSD9, VSH7, VSH9, VS37, VS39, VWA2, VWN2, VWT4, VW12, VXB VXB7, VXB9, VXEB, VXE4, VXE6, VXE7, VXE9, VXQ4, VXU1, VX2, VX39 WMA4, WMT8
					-	(1)		
		T	13104-ZH9-010	PISTON (0.75) .....	(1)	-	-----	----- HKS8, RHG4
					(1)	-	1200784	----- HA2, HEA2, HEA8, HXQ4, HX26, HX8, LXE8, LXQ4, LXU, PAE2, PA2, PXE8 PXU, PX26, QAE2, QAE6, QAG, QAG2, QAQ4, QAR2, QAW, QA2, QA26, QE QHE4, QHQ4, QHR, QHR4, QH26, QKE3, QKE4, QME2, QSC9, QSE2, QSE8 QWA4, QWH2, QXB, QXB6, QXB7, QXB9, QXC4, QXC6, QXC9, QXE4, QXE6 QXE8, QXQ4, QXU, RA2, RHE4, RHQ4, RH26, RSC2, RXQ4, RXU, SAX4, SE SHQ4, SMC4, SME1, SME6, SMX2, SWA4, SWC4, SXB, SXB7, SXB9, SXEB SXE4, SXE8, SXQ4, SXU, VAG2, VA2, VDE2, VE39, VKB2, VKE4, VKE9, VKQ4 VKX4, VKX9, VMA4, VME2, VME4, VMS2, VMX2, VM2, VNG1, VNT2, VN17 VN19, VPE4, VPE5, VPE7, VPE9, VPX4, VPX5, VPX7, VPX9, VSD, VSD3 VSD7, VSD9, VSH7, VSH9, VS37, VS39, VWA2, VWN2, VWT4, VW12, VXB VXB7, VXB9, VXEB, VXE4, VXE6, VXE7, VXE9, VXQ4, VXU1, VX2, VX39 WMA4, WMT8
					-	(1)		

NOTE A:PART NO. CHANGE D:NEWLY PROVIDED E:PART NO.DELETION K:REQUIRED NO. CORRECTION L:APPLICATION SERIAL NO. CORRECTION  
T:APPLICATION CORRECTION Z:REMARKS CHANGE

PARTS CATALOGUE NEWS

BOOKNo. : 13Z5H602

Block No.	Ref. No.	Note	Part No.	Description	Reqd. QTY		Serial No.	Parts catalogue code
					GX 270 U	GX 270 R		
E-17	7	L	17620-Z0T-305	CAP COMP., FUEL FILLER (CHROME PLATED)	1	-	----- 1204806	HA2, HEA2, HEA8, HXQ4, HX26, HX8, LXE8, LXQ4, LXU, PAE2, PA2, PXE8 PXU, PX26, QAE2, QAE6, QAG, QAG2, QAQ4, QAR2, QAW, QA2, QA26, QE QHE4, QHQ4, QHR, QHR4, QH26, QKE3, QKE4, QME2, QSC9, QSE2, QSE8 QWA4, QWH2, QXB, QXB6, QXB7, QXB9, QXC4, QXC6, QXC9, QXE4, QXE6 QXE8, QXQ4, QXU, RA2, RHE4, RHQ4, RH26, RXQ4, RXU, SAX4, SE, SHQ4 SMC4, SME1, SME6, SMX2, SWA4, SWC4, SXB, SXB7, SXB9, SXEB, SXE4 SXE8, SXQ4, SXU, VA2, VKQ4, VMA4, VME2, VME4, VM2, VSD, VSD7, VSD9 VXB, VXB7, VXB9, VXEB, VXE4, VXE6, VXE7, VXE9, VXQ4, VXU1, VX2, WMA4 WMT8
	8	L	17631-Z0T-812	PACKING, FUEL FILLER CAP (39X62X3)	1	-	----- 1204806	HA2, HEA2, HEA8, HXQ4, HX26, HX8, LXE8, LXQ4, LXU, PAE2, PA2, PXE8 PXU, PX26, QAE2, QAE6, QAG, QAG2, QAQ4, QAR2, QAW, QA2, QA26, QE QHE4, QHQ4, QHR, QHR4, QH26, QKE3, QKE4, QME2, QSC9, QSE2, QSE8 QWA4, QWH2, QXB, QXB6, QXB7, QXB9, QXC4, QXC6, QXC9, QXE4, QXE6 QXE8, QXQ4, QXU, RA2, RHE4, RHQ4, RH26, RXQ4, RXU, SAX4, SE, SHQ4 SMC4, SME1, SME6, SMX2, SWA4, SWC4, SXB, SXB7, SXB9, SXEB, SXE4 SXE8, SXQ4, SXU, VA2, VKQ4, VMA4, VME2, VME4, VM2, VSD, VSD7, VSD9 VXB, VXB7, VXB9, VXEB, VXE4, VXE6, VXE7, VXE9, VXQ4, VXU1, VX2, WMA4 WMT8
	9	L	17672-ZE2-W01	FILTER, FUEL .....	1	-	----- 1204806	HA2, HEA2, HEA8, PAE2, PA2, QAE2, QAE6, QAG, QAG2, QAQ4, QAR2, QAW QA2, QA26, QE, QKE3, QKE4, QME2, RA2, SAX4, SE, SMC4, SMX2, VA2, VKQ4 VME2, VM2, WMA4, WMT8
	10	L	17672-880-000	FILTER, FUEL .....	1	-	----- 1204806	QSC9
	11	L	17673-893-000	HOLDER, FUEL FILTER .....	1	-	----- 1204806	QSC9
	27	D	17620-Z4H-010	CAP COMP., FUEL FILLER .....	1	-	1204807 -----	HA2, HEA2, HEA8, HXQ4, HX26, HX8, LXE8, LXQ4, LXU, PAE2, PA2, PXE8 PXU, PX26, QAE2, QAE6, QAG, QAG2, QAQ4, QAR2, QAW, QA2, QA26, QE QHE4, QHQ4, QHR, QHR4, QH26, QKE3, QKE4, QME2, QSC9, QSE2, QSE8 QWA4, QWH2, QXB, QXB6, QXB7, QXB9, QXC4, QXC6, QXC9, QXE4, QXE6 QXE8, QXQ4, QXU, RA2, RHE4, RHQ4, RH26, RXQ4, RXU, SAX4, SE, SHQ4 SMC4, SME1, SME6, SMX2, SWA4, SWC4, SXB, SXB7, SXB9, SXEB, SXE4 SXE8, SXQ4, SXU, VA2, VKQ4, VMA4, VME2, VME4, VM2, VSD, VSD7, VSD9 VXB, VXB7, VXB9, VXEB, VXE4, VXE6, VXE7, VXE9, VXQ4, VXU1, VX2, WMA4 WMT8

NOTE A:PART NO. CHANGE D:NEWLY PROVIDED E:PART NO.DELETION K:REQUIRED NO. CORRECTION L:APPLICATION SERIAL NO. CORRECTION  
T:APPLICATION CORRECTION Z:REMARKS CHANGE

PARTS CATALOGUE NEWS

BOOKNo. : 13Z5H602

Block No.	Ref. No.	Note	Part No.	Description	Reqd. QTY		Serial No.	Parts catalogue code
					GX 270 U	GX 270 R		
	28	D	17631-Z4H-800	PACKING, FUEL FILLER CAP (39X62X3)	1	-	1204807 -----	HA2, HEA2, HEA8, HXQ4, HX26, HX8, LXE8, LXQ4, LXU, PAE2, PA2, PXE8 PXU, PX26, QAE2, QAE6, QAG, QAG2, QAQ4, QAR2, QAW, QA2, QA26, QE QHE4, QHQ4, QHR, QHR4, QH26, QKE3, QKE4, QME2, QSC9, QSE2, QSE8 QWA4, QWH2, QXB, QXB6, QXB7, QXB9, QXC4, QXC6, QXC9, QXE4, QXE6 QXE8, QXQ4, QXU, RA2, RHE4, RHQ4, RH26, RXQ4, RXU, SAX4, SE, SHQ4 SMC4, SME1, SME6, SMX2, SWA4, SWC4, SXB, SXB7, SXB9, SXEB, SXE4 SXE8, SXQ4, SXU, VA2, VKQ4, VMA4, VME2, VME4, VM2, VSD, VSD7, VSD9 VXB, VXB7, VXB9, VXEB, VXE4, VXE6, VXE7, VXE9, VXQ4, VXU1, VX2, WMA4 WMT8
	29	D	17672-ZE2-W01	FILTER, FUEL .....	1	-	1204807 -----	HA2, HEA2, HEA8, PAE2, PA2, QAE2, QAE6, QAG, QAG2, QAQ4, QAR2, QAW QA2, QA26, QE, QKE3, QKE4, QME2, RA2, SAX4, SE, SMC4, SMX2, VA2, VKQ4 VME2, VM2, WMA4, WMT8
		D	17673-893-000	HOLDER, FUEL FILTER .....	1	-	1204807 -----	QSC9

NOTE A:PART NO. CHANGE D:NEWLY PROVIDED E:PART NO.DELETION K:REQUIRED NO. CORRECTION L:APPLICATION SERIAL NO. CORRECTION  
T:APPLICATION CORRECTION Z:REMARKS CHANGE



# PARTS CATALOGUE NEWS

Honda Motor Co., Ltd. Service Division

## PARTS CATALOGUE - CORRECTED

Printed in Japan

CODE NO.	13Z5H602
PARTS CATALOGUE NEWS	GX270U GX270R
NEWS NO.	005

Block No.	Ref. No.	Note	Part No.	Description	Reqd. QTY		Serial No.	Parts catalogue code	
					GX 270 U	GX 270 R			
E-17	27	L	17620-Z4H-010	CAP COMP., FUEL FILLER .....	1	-	1204807 1210488	HA2, HEA2, HEA8, HXQ4, HX26, HX8, LXE8, LXQ4, LXU, PAE2, PA2, PXE8 PXU, PX26, QAE2, QAE6, QAG, QAG2, QAQ4, QAR2, QAW, QA2, QA26, QE QHE4, QHQ4, QHR, QHR4, QH26, QKE3, QKE4, QME2, QSC9, QSE2, QSE8 QWA4, QWH2, QXB, QXB6, QXB7, QXB9, QXC4, QXC6, QXC9, QXE4, QXE6 QXE8, QXQ4, QXU, RA2, RHE4, RHQ4, RH26, RXQ4, RXU, SAX4, SE, SHQ4 SMC4, SME1, SME6, SMX2, SWA4, SWC4, SXB, SXB7, SXB9, SXEB, SXE4 SXE8, SXQ4, SXU, VA2, VKQ4, VMA4, VME2, VME4, VM2, VSD, VSD7, VSD9 VXB, VXB7, VXB9, VXEB, VXE4, VXE6, VXE7, VXE9, VXQ4, VXU1, VX2, WMA4 WMT8	
		T	17620-Z4H-020	.....	1	-	-----	HKS8	
					1	-	1210489	-----	HA2, HEA2, HEA8, HXQ4, HX26, HX8, LXE8, LXQ4, LXU, PAE2, PA2, PXE8 PXU, PX26, QAE2, QAE6, QAG, QAG2, QAQ4, QAR2, QAW, QA2, QA26, QE QHE4, QHQ4, QHR, QHR4, QH26, QKE3, QKE4, QME2, QSC9, QSE2, QSE8 QWA4, QWH2, QXB, QXB6, QXB7, QXB9, QXC4, QXC6, QXC9, QXE4, QXE6 QXE8, QXQ4, QXU, RA2, RHE4, RHQ4, RH26, RXQ4, RXU, SAX4, SE, SHQ4 SMC4, SME1, SME6, SMX2, SWA4, SWC4, SXB, SXB7, SXB9, SXEB, SXE4 SXE8, SXQ4, SXU, VA2, VKQ4, VMA4, VME2, VME4, VM2, VSD, VSD7, VSD9 VXB, VXB7, VXB9, VXEB, VXE4, VXE6, VXE7, VXE9, VXQ4, VXU1, VX2, WMA4 WMT8

NOTE A:PART NO. CHANGE D:NEWLY PROVIDED E:PART NO.DELETION K:REQUIRED NO. CORRECTION L:APPLICATION SERIAL NO. CORRECTION  
T:APPLICATION CORRECTION Z:REMARKS CHANGE



PARTS CATALOGUE NEWS

BOOKNo. : 13Z5H602

Block No.	Ref. No.	Note	Part No.	Description	Reqd. QTY		Serial No.	Parts catalogue code
					GX 270 U	GX 270 R		
	28		17631-Z4H-800	PACKING, FUEL FILLER CAP (39X62X3)	1	-	1204807 1210488	HA2, HEA2, HEA8, HXQ4, HX26, HX8, LXE8, LXQ4, LXU, PAE2, PA2, PXE8 PXU, PX26, QAE2, QAE6, QAG, QAG2, QAQ4, QAR2, QAW, QA2, QA26, QE QHE4, QHQ4, QHR, QHR4, QH26, QKE3, QKE4, QME2, QSC9, QSE2, QSE8 QWA4, QWH2, QXB, QXB6, QXB7, QXB9, QXC4, QXC6, QXC9, QXE4, QXE6 QXE8, QXQ4, QXU, RA2, RHE4, RHQ4, RH26, RXQ4, RXU, SAX4, SE, SHQ4 SMC4, SME1, SME6, SMX2, SWA4, SWC4, SXB, SXB7, SXB9, SXEB, SXE4 SXE8, SXQ4, SXU, VA2, VKQ4, VMA4, VME2, VME4, VM2, VSD, VSD7, VSD9 VXB, VXB7, VXB9, VXEB, VXE4, VXE6, VXE7, VXE9, VXQ4, VXU1, VX2, WMA4 WMT8
	A		17631-Z0T-801	.....	1	-	1210489 -----	HA2, HEA2, HEA8, HXQ4, HX26, HX8, LXE8, LXQ4, LXU, PAE2, PA2, PXE8 PXU, PX26, QAE2, QAE6, QAG, QAG2, QAQ4, QAR2, QAW, QA2, QA26, QE QHE4, QHQ4, QHR, QHR4, QH26, QKE3, QKE4, QME2, QSC9, QSE2, QSE8 QWA4, QWH2, QXB, QXB6, QXB7, QXB9, QXC4, QXC6, QXC9, QXE4, QXE6 QXE8, QXQ4, QXU, RA2, RHE4, RHQ4, RH26, RXQ4, RXU, SAX4, SE, SHQ4 SMC4, SME1, SME6, SMX2, SWA4, SWC4, SXB, SXB7, SXB9, SXEB, SXE4 SXE8, SXQ4, SXU, VA2, VKQ4, VMA4, VME2, VME4, VM2, VSD, VSD7, VSD9 VXB, VXB7, VXB9, VXEB, VXE4, VXE6, VXE7, VXE9, VXQ4, VXU1, VX2, WMA4 WMT8

NOTE A:PART NO. CHANGE D:NEWLY PROVIDED E:PART NO.DELETION K:REQUIRED NO. CORRECTION L:APPLICATION SERIAL NO. CORRECTION  
T:APPLICATION CORRECTION Z:REMARKS CHANGE



# PARTS CATALOGUE NEWS

Honda Motor Co., Ltd. Service Division

## PARTS CATALOGUE - CORRECTED

Printed in Japan

CODE NO.	13Z5H602
PARTS CATALOGUE NEWS	GX270U GX270R
NEWS NO.	006

Block No.	Ref. No.	Note	Part No.	Description	Reqd. QTY		Serial No.	Parts catalogue code	
					GX 270 U	GX 270 R			
E-15	6	L	17235-ZE2-820	NOSE, SILENCER .....	1	-	-----	HXQ4, HX26, HX8, LXE8, LXQ4, LXU, PXE8, PXU, PX26, QE, QKE3, QME2 QSE2, QSE8, QXB6, QXE4, QXE6, QXE8, QXQ4, QXU, RXQ4, RXU, SAX4, SE SME1, SMX2, SWA4, SXE4, SXE8, SXQ4, SXU, VXE4, VXE6, VXQ4, VXU1, VX2	
					1	-	-----	1209093	RSC2, VKB2, VNT2
	T	17235-Z5H-000	.....	1	-	1209094	-----	RSC2, VAG2, VDE2, VKB2, VNT2, VWA2, VWN2, VW12	
					-	1			
	13	T	90634-ZL8-H00	CAP, SEALING .....	1	-	1209094	-----	RSC2, VAG2, VDE2, VKB2, VNT2, VWA2, VWN2, VW12
					-	1			

NOTE A:PART NO. CHANGE D:NEWLY PROVIDED E:PART NO.DELETION K:REQUIRED NO. CORRECTION L:APPLICATION SERIAL NO. CORRECTION  
T:APPLICATION CORRECTION Z:REMARKS CHANGE



# PARTS CATALOGUE NEWS

Honda Motor Co., Ltd. Service Division

## PARTS CATALOGUE - CORRECTED

Printed in Japan

CODE NO.	13Z5H602
PARTS CATALOGUE NEWS	GX270U GX270R
NEWS NO.	007

Block No.	Ref. No.	Note	Part No.	Description	Reqd. QTY		Serial No.	Parts catalogue code	
					GX 270 U	GX 270 R			
E-16	10	L	18381-ZE2-W10	GASKET, MUFFLER (ARRESTER) ...	1	1	-----	QAE2, QAE6, QAG, QAQ4, QAR2, QA2, QA26, SMX2, SWC4, VAG2, VA2, VDE2 VMA4, VME2, VME4, VM2, VWA2, VWN2, VW12	
					(1)	-	-----	HA2, HEA2, HEA8, PAE2, PA2, QAG2, QHE4, QHQ4, QHR, QHR4, QH26, RA2 RHE4, RHG4, RHQ4, RH26, SHQ4, WMA4, WMT8	
					(1)	-	-----	1213262 VKQ4	
		T		18381-ZE2-W10	.....	1	-	1213263	VKQ4
						-	1	-----	VW12
		11	L	18381-ZE2-800	GASKET, MUFFLER (NIPPON LEAKLESS)	1	-	-----	HA2, HEA2, HEA8, PAE2, PA2, QAG2, QHE4, QHQ4, QHR, QHR4, QH26, RA2 RHE4, RHQ4, RH26, SHQ4, WMA4, WMT8
	22	T	90050-ZE1-000	SCREW, TAPPING, 5X8 .....	1	-	-----	1213262	VKQ4
					1	-	-----	-----	QAE6, QAQ4, QA26, SWC4, VMA4, VME2, VME4, VM2
					1	-	-----	1213263	VKQ4
					(1)	-	-----	-----	HEA8, PAE2, QHE4, QHQ4, QHR, QHR4, QH26, RHE4, RHQ4, RH26, SHQ4
					-	1	-----	VDE2, VWN2, VW12	

NOTE A:PART NO. CHANGE D:NEWLY PROVIDED E:PART NO.DELETION K:REQUIRED NO. CORRECTION L:APPLICATION SERIAL NO. CORRECTION  
T:APPLICATION CORRECTION Z:REMARKS CHANGE



# PARTS CATALOGUE NEWS

Honda Motor Co., Ltd. Service Division

## PARTS CATALOGUE - CORRECTED

Printed in Japan

CODE NO.	13Z5H602
PARTS CATALOGUE NEWS	GX270U GX270R
NEWS NO.	008

Block No.	Ref. No.	Note	Part No.	Description	Reqd. QTY		Serial No.	Parts catalogue code
					GX 270 U	GX 270 R		
EOP-2	1	T	17233-896-701	COLLAR, AIR CLEANER CASE . . . . .	(2)	-	-----	HXQ4, LXQ4, QAQ4, QE, QHE4, QHQ4, QHR, QHR4, QKE3, QKE4, QME2, QWA4, QXB, QXB7, QXB9, QXC4, QXE4, QXQ4, RHE4, RHG4, RHQ4, RXQ4, SAX4, SE, SHQ4, SMC4, SME1, SME6, SWA4, SWC4, SXB, SXB7, SXB9, SXEB, SXE4, SXQ4, VKQ4, VMA4, VME4, VNG1, VN17, VN19, VPE4, VPE7, VPX4, VPX7, VSD, VSD3, VSD7, VSD9, VSH7, VSH9, VS37, VWT4, VXB, VXB7, VXB9, VXEB, VXE4, VXE7, VXE9, VXQ4, WMA4
	2	T	18433-ZF6-W40	COVER COMP., MUFFLER . . . . .	(1)	-	-----	HXQ4, LXQ4, QE, QKE3, QKE4, QME2, QWA4, QXB, QXB7, QXB9, QXC4, QXE4, QXQ4, RXQ4, SAX4, SE, SMC4, SME1, SME6, SWA4, SWC4, SXB, SXB7, SXB9, SXEB, SXE4, SXQ4, VMA4, VME4, VNG1, VN17, VN19, VPE4, VPE7, VPX4, VPX7, VSD, VSD3, VSD7, VSD9, VSH7, VSH9, VS37, VWT4, VXB, VXB7, VXB9, VXEB, VXE4, VXE7, VXE9, VXQ4
	3	T	18434-ZF6-W40	COVER COMP., RR. MUFFLER . . . . .	(1)	-	-----	HXQ4, LXQ4, QE, QKE3, QKE4, QME2, QWA4, QXB, QXB7, QXB9, QXC4, QXE4, QXQ4, RXQ4, SAX4, SE, SMC4, SME1, SME6, SWA4, SWC4, SXB, SXB7, SXB9, SXEB, SXE4, SXQ4, VMA4, VME4, VNG1, VN17, VN19, VPE4, VPE7, VPX4, VPX7, VSD, VSD3, VSD7, VSD9, VSH7, VSH9, VS37, VWT4, VXB, VXB7, VXB9, VXEB, VXE4, VXE7, VXE9, VXQ4
	4	T	18436-ZH8-W40	BASE COMP., MUFFLER COVER . . . . .	(1)	-	-----	HXQ4, LXQ4, QAQ4, QE, QHE4, QHQ4, QHR, QHR4, QKE3, QKE4, QME2, QWA4, QXB, QXB7, QXB9, QXC4, QXE4, QXQ4, RHE4, RHG4, RHQ4, RXQ4, SAX4, SE, SHQ4, SMC4, SME1, SME6, SWA4, SWC4, SXB, SXB7, SXB9, SXEB, SXE4, SXQ4, VKQ4, VMA4, VME4, VNG1, VN17, VN19, VPE4, VPE7, VPX4, VPX7, VSD, VSD3, VSD7, VSD9, VSH7, VSH9, VS37, VWT4, VXB, VXB7, VXB9, VXEB, VXE4, VXE7, VXE9, VXQ4, WMA4

NOTE A:PART NO. CHANGE D:NEWLY PROVIDED E:PART NO.DELETION K:REQUIRED NO. CORRECTION L:APPLICATION SERIAL NO. CORRECTION  
T:APPLICATION CORRECTION Z:REMARKS CHANGE

PARTS CATALOGUE NEWS

BOOKNo. : 13Z5H602

Block No.	Ref. No.	Note	Part No.	Description	Reqd. QTY		Serial No.	Parts catalogue code	
					GX 270 U	GX 270 R			
	5	T	18437-ZF6-W40	STAY, MUFFLER COVER .....	(1)	-	-----	-----	HXQ4, LXQ4, QAQ4, QE, QHE4, QHQ4, QHR, QHR4, QKE3, QKE4, QME2, QWA4 QXB, QXB7, QXB9, QXC4, QXE4, QXQ4, RHE4, RHG4, RHQ4, RXQ4, SAX4, SE SHQ4, SMC4, SME1, SME6, SWA4, SWC4, SXB, SXB7, SXB9, SXEB, SXE4 SXQ4, VKQ4, VMA4, VME4, VNG1, VN17, VN19, VPE4, VPE7, VPX4, VPX7 VSD, VSD3, VSD7, VSD9, VSH7, VSH9, VS37, VWT4, VXB, VXB7, VXB9, VXEB VXE4, VXE7, VXE9, VXQ4, WMA4
	6	T	18438-ZF6-W40	PLATE, SET .....	(1)	-	-----	-----	HXQ4, LXQ4, QAQ4, QE, QHE4, QHQ4, QHR, QHR4, QKE3, QKE4, QME2, QWA4 QXB, QXB7, QXB9, QXC4, QXE4, QXQ4, RHE4, RHG4, RHQ4, RXQ4, SAX4, SE SHQ4, SMC4, SME1, SME6, SWA4, SWC4, SXB, SXB7, SXB9, SXEB, SXE4 SXQ4, VKQ4, VMA4, VME4, VNG1, VN17, VN19, VPE4, VPE7, VPX4, VPX7 VSD, VSD3, VSD7, VSD9, VSH7, VSH9, VS37, VWT4, VXB, VXB7, VXB9, VXEB VXE4, VXE7, VXE9, VXQ4, WMA4
	7	T	18466-ZH8-W40	SPACER, MUFFLER COVER .....	(3)	-	-----	-----	HXQ4, LXQ4, QAQ4, QE, QHE4, QHQ4, QHR, QHR4, QKE3, QKE4, QME2, QWA4 QXB, QXB7, QXB9, QXC4, QXE4, QXQ4, RHE4, RHG4, RHQ4, RXQ4, SAX4, SE SHQ4, SMC4, SME1, SME6, SWA4, SWC4, SXB, SXB7, SXB9, SXEB, SXE4 SXQ4, VKQ4, VMA4, VME4, VNG1, VN17, VN19, VPE4, VPE7, VPX4, VPX7 VSD, VSD3, VSD7, VSD9, VSH7, VSH9, VS37, VWT4, VXB, VXB7, VXB9, VXEB VXE4, VXE7, VXE9, VXQ4, WMA4
	8	T	90050-ZE1-000	SCREW, TAPPING, 5X8 .....	(1)	-	-----	-----	HXQ4, LXQ4, QAQ4, QE, QHE4, QHQ4, QHR, QHR4, QKE3, QKE4, QME2, QWA4 QXB, QXB7, QXB9, QXC4, QXE4, QXQ4, RHE4, RHG4, RHQ4, RXQ4, SAX4, SE SHQ4, SMC4, SME1, SME6, SWA4, SWC4, SXB, SXB7, SXB9, SXEB, SXE4 SXQ4, VKQ4, VMA4, VME4, VNG1, VN17, VN19, VPE4, VPE7, VPX4, VPX7 VSD, VSD3, VSD7, VSD9, VSH7, VSH9, VS37, VWT4, VXB, VXB7, VXB9, VXEB VXE4, VXE7, VXE9, VXQ4, WMA4
	9	T	90050-ZH8-W40	SCREW, TAPPING, 5X25 .....	(2)	-	-----	-----	HXQ4, LXQ4, QAQ4, QE, QHE4, QHQ4, QHR, QHR4, QKE3, QKE4, QME2, QWA4 QXB, QXB7, QXB9, QXC4, QXE4, QXQ4, RHE4, RHG4, RHQ4, RXQ4, SAX4, SE SHQ4, SMC4, SME1, SME6, SWA4, SWC4, SXB, SXB7, SXB9, SXEB, SXE4 SXQ4, VKQ4, VMA4, VME4, VNG1, VN17, VN19, VPE4, VPE7, VPX4, VPX7 VSD, VSD3, VSD7, VSD9, VSH7, VSH9, VS37, VWT4, VXB, VXB7, VXB9, VXEB VXE4, VXE7, VXE9, VXQ4, WMA4
	10	T	90302-KF9-900	NUT, HEX., 5MM .....	(3)	-	-----	-----	HXQ4, LXQ4, QAQ4, QE, QHE4, QHQ4, QHR, QHR4, QKE3, QKE4, QME2, QWA4 QXB, QXB7, QXB9, QXC4, QXE4, QXQ4, RHE4, RHG4, RHQ4, RXQ4, SAX4, SE SHQ4, SMC4, SME1, SME6, SWA4, SWC4, SXB, SXB7, SXB9, SXEB, SXE4 SXQ4, VKQ4, VMA4, VME4, VNG1, VN17, VN19, VPE4, VPE7, VPX4, VPX7 VSD, VSD3, VSD7, VSD9, VSH7, VSH9, VS37, VWT4, VXB, VXB7, VXB9, VXEB VXE4, VXE7, VXE9, VXQ4, WMA4
	11	T	93891-05012-00	SCREW-WASHER, 5X12 .....	(1)	-	-----	-----	HXQ4, LXQ4, QAQ4, QE, QHE4, QHQ4, QHR, QHR4, QKE3, QKE4, QME2, QWA4 QXB, QXB7, QXB9, QXC4, QXE4, QXQ4, RHE4, RHG4, RHQ4, RXQ4, SAX4, SE SHQ4, SMC4, SME1, SME6, SWA4, SWC4, SXB, SXB7, SXB9, SXEB, SXE4 SXQ4, VKQ4, VMA4, VME4, VNG1, VN17, VN19, VPE4, VPE7, VPX4, VPX7 VSD, VSD3, VSD7, VSD9, VSH7, VSH9, VS37, VWT4, VXB, VXB7, VXB9, VXEB VXE4, VXE7, VXE9, VXQ4, WMA4

NOTE A:PART NO. CHANGE D:NEWLY PROVIDED E:PART NO.DELETION K:REQUIRED NO. CORRECTION L:APPLICATION SERIAL NO. CORRECTION  
T:APPLICATION CORRECTION Z:REMARKS CHANGE

PARTS CATALOGUE NEWS

BOOKNo. : 13Z5H602

Block No.	Ref. No.	Note	Part No.	Description	Reqd. QTY		Serial No.	Parts catalogue code
					GX 270 U	GX 270 R		
	12	T	93891-06020-07	SCREW-WASHER, 6X20 .....	(3)	-	-----	HXQ4, LXQ4, QAQ4, QE, QHE4, QHQ4, QHR, QHR4, QKE3, QKE4, QME2, QWA4 QXB, QXB7, QXB9, QXC4, QXE4, QXQ4, RHE4, RHG4, RHQ4, RXQ4, SAX4, SE SHQ4, SMC4, SME1, SME6, SWA4, SWC4, SXB, SXB7, SXB9, SXEB, SXE4 SXQ4, VKQ4, VMA4, VME4, VNG1, VN17, VN19, VPE4, VPE7, VPX4, VPX7 VSD, VSD3, VSD7, VSD9, VSH7, VSH9, VS37, VWT4, VXB, VXB7, VXB9, VXEB VXE4, VXE7, VXE9, VXQ4, WMA4
	13	T	94103-05700	WASHER, PLAIN, 5MM .....	(3)	-	-----	HXQ4, LXQ4, QAQ4, QE, QHE4, QHQ4, QHR, QHR4, QKE3, QKE4, QME2, QWA4 QXB, QXB7, QXB9, QXC4, QXE4, QXQ4, RHE4, RHG4, RHQ4, RXQ4, SAX4, SE SHQ4, SMC4, SME1, SME6, SWA4, SWC4, SXB, SXB7, SXB9, SXEB, SXE4 SXQ4, VKQ4, VMA4, VME4, VNG1, VN17, VN19, VPE4, VPE7, VPX4, VPX7 VSD, VSD3, VSD7, VSD9, VSH7, VSH9, VS37, VWT4, VXB, VXB7, VXB9, VXEB VXE4, VXE7, VXE9, VXQ4, WMA4
	14	T	94111-05000	WASHER, SPRING, 5MM .....	(1)	-	-----	HXQ4, LXQ4, QAQ4, QE, QHE4, QHQ4, QHR, QHR4, QKE3, QKE4, QME2, QWA4 QXB, QXB7, QXB9, QXC4, QXE4, QXQ4, RHE4, RHG4, RHQ4, RXQ4, SAX4, SE SHQ4, SMC4, SME1, SME6, SWA4, SWC4, SXB, SXB7, SXB9, SXEB, SXE4 SXQ4, VKQ4, VMA4, VME4, VNG1, VN17, VN19, VPE4, VPE7, VPX4, VPX7 VSD, VSD3, VSD7, VSD9, VSH7, VSH9, VS37, VWT4, VXB, VXB7, VXB9, VXEB VXE4, VXE7, VXE9, VXQ4, WMA4

NOTE A:PART NO. CHANGE D:NEWLY PROVIDED E:PART NO.DELETION K:REQUIRED NO. CORRECTION L:APPLICATION SERIAL NO. CORRECTION  
T:APPLICATION CORRECTION Z:REMARKS CHANGE



## PARTS CATALOGUE NEWS

Honda Motor Co., Ltd. Service Division

Printed in Japan

CODE NO.	13Z5H602
PARTS CATALOGUE NEWS	GX270U GX270R
NEWS NO.	009

### **GX270R-VAG2,VKE4,VKX4,VMS2,VMX2,VPE4,VPE5,VPE7,VPX4,VPX5,VPX9 VS37,VWA2 AND VWT4 TYPES sales parts information**

NOTE: This Parts Catalogue News explains only the parts of the different model that are produced to conform to addition of the GX270R-VAG2,VKE4,VKX4,VMS2,VMX2,VPE4,VPE5,VPE7,VPX4,VPX5,VPX9 VS37,VWA2 and VWT4 types.

As for the parts not listed on this Parts Catalogue News, use the parts of the GX270U-VAG2,VKE4,VKX4,VMS2,VMX2,VPE4,VPE5,VPE7,VPX4,VPX5,VPX9,VS37,VWA2 and VWT4 types.

#### **•Models, parts catalogue codes and applicable serial numbers**

Model	Type		Parts catalogue type	Applicable engine serial No.	Applicable carburetor identification No.
GX270U	VAG2	Base type	VAG2	GCALK- 1000001~	BE75B B / C
GX270R	VAG2	Additional type	VAG2		BE21E C BE21G A / B / C
GX270U	VKE4	Base type	VKE4		BE21G C
GX270R	VKE4	Additional type	VKE4		

Model	Type		Parts catalogue type	Applicable engine serial No.	Applicable carburetor identification No.
GX270U	VKX4	Base type	VKX4	GCALK- 1000001~	BE21D C BE21F A / B / C
GX270R	VKX4	Additional type	VKX4		BE21F B / C
GX270U	VMS2	Base type	VMS2		BE77Q A
GX270R	VMS2	Additional type	VMS2		
GX270U	VMX2	Base type	VMX2		BE21D C BE21F A / B / C
GX270R	VMX2	Additional type	VMX2		
GX270U	VPE4	Base type	VPE4		BE21F B / C
GX270R	VPE4	Additional type	VPE4		BE77R A / B / C
GX270U	VPE5	Base type	VPE5		BE77R B / C
GX270R	VPE5	Additional type	VPE5		BE21D C BE21F A / B / C
GX270U	VPE7	Base type	VPE7		BE21F B / C
GX270R	VPE7	Additional type	VPE7		



Model	Type		Parts catalogue type	Applicable engine serial No.	Applicable carburetor identification No.
GX270U	VPX4	Base type	VPX4	GCALK- 1000001~	BE21D C BE21F A / B / C
GX270R	VPX4	Additional type	VPX4		BE21F B / C
GX270U	VPX5	Base type	VPX5		BE77R A / B / C
GX270R	VPX5	Additional type	VPX5		BE77R B / C
GX270U	VPX9	Base type	VPX9		BE77R A / B / C
GX270R	VPX9	Additional type	VPX9		BE77R B / C
GX270U	VS37	Base type	VS37		BE21D C BE21F A / B / C
GX270R	VS37	Additional type	VS37		BE21F B / C
GX270U	VWA2	Base type	VWA2		BE75B B / C
GX270R	VWA2	Additional type	VWA2		
GX270U	VWT4	Base type	VWT4		BE21A D / E
GX270R	VWT4	Additional type	VWT4		

•Features of each type		Base type	Additional type	Base type	Additional type	Base type	Additional type	Base type	Additional type	
		Model	GX270U	GX270R	GX270U	GX270R	GX270U	GX270R	GX270U	GX270R
Specifications		Type	VAG2	VAG2	VKE4	VKE4	VKX4	VKX4	VMS2	VMS2
Crankshaft	25mmØ Straight									
	25.4mmØ Straight									
	20mmØ Spline									
	M20 Stepped thread									
	1" Thread									
	3/16" Tapered	●	●	●	●	●	●	●	●	●
	1/5" Tapered									
Fuel tank										
Starter motor				●	●			●	●	
Control box								●	●	
Reduction										

		Base type	Additional type	Base type	Additional type	Base type	Additional type	Base type	Additional type
<b>Specifications</b>		<b>Model</b>	GX270U	GX270R	GX270U	GX270R	GX270U	GX270R	GX270R
		<b>Type</b>	VMX2	VMX2	VPE4	VPE4	VPE5	VPE5	VPE7
Crankshaft	25mmØ Straight								
	25.4mmØ Straight								
	20mmØ Spline								
	M20 Stepped thread								
	1" Thread								
	3/16" Tapered	●	●	●	●	●	●	●	●
	1/5" Tapered								
Fuel tank									
Starter motor				●	●	●	●	●	●
Control box									
Reduction									

		Base type	Additional type	Base type	Additional type	Base type	Additional type	Base type	Additional type
<b>Specifications</b>		<b>Model</b>	GX270U	GX270R	GX270U	GX270R	GX270U	GX270R	GX270U
		<b>Type</b>	VPX4	VPX4	VPX5	VPX5	VPX9	VPX9	VS37
Crankshaft	25mmØ Straight								
	25.4mmØ Straight								
	20mmØ Spline								
	M20 Stepped thread								
	1" Thread								
	3/16" Tapered	●	●	●	●	●	●	●	●
	1/5" Tapered								
Fuel tank									
Starter motor									
Control box									
Reduction									

		Base type	Additional type	Base type	Additional type	
<b>Specifications</b>		Model	GX270U	GX270R	GX270U	GX270R
		Type	VWA2	VWA2	VWT4	VWT4
Crankshaft	25mmØ Straight					
	25.4mmØ Straight					
	20mmØ Spline					
	M20 Stepped thread					
	1" Thread					
	3/16" Tapered	●	●	●	●	
	1/5" Tapered					
Fuel tank						
Starter motor				●	●	
Control box						
Reduction						

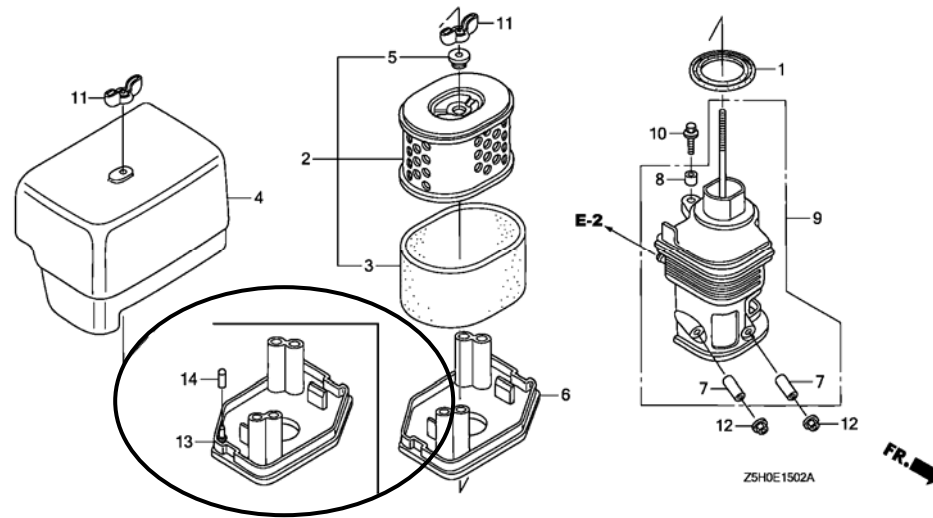
PARTS CATALOGUE NEWS

BOOKNo. : 13Z5H602

Block No.	Ref. No.	Part No.	Description	Reqd. QTY		Base Part No.	Parts catalogue code
				GX 270 U	GX 270 R		
E-3	2	35480-ZF6-003	SWITCH ASSY., OIL LEVEL .....	-	1	15510-ZE2-043	VKE4
		35480-ZF6-003	.....	-	1	15510-ZE2-053	VAG2, VKX4, VMS2, VMX2, VPE4, VPE5, VPE7, VPX4, VPX5, VPX9, VS37, VWA2, VWT4
	4	34150-ZH7-013	ALERT UNIT, OIL .....	-	1	34150-ZH7-003	VKE4
E-12	8	36100-ZH9-V03	SWITCH ASSY., ENGINE STOP ....	-	1	36100-ZH9-V02	VS37
E-14-2	8	16100-Z5J-V13	CARBURETOR ASSY. (BE21G C) ...	-	1	16100-Z5J-V12	VKE4
	17	16230-ZE3-702	VALVE ASSY., SOLENOID .....	-	1	16230-ZE3-701	VKE4, VMS2, VMX2
	18	16260-ZE2-723	STAY ASSY., MANUAL CHOKE .....	-	1	16260-ZE2-722	VKE4
	27	16400-ZE2-704	DIAPHRAGM ASSY. ....	-	1	16400-ZE2-703	VKE4

E-15-2 AIR CLEANER (3)

Ref. No.	(Relative ref. Number)	Description	FRT
6	(13)	3121D6 NOSE, SILENCER .....	0.1



E-15-2	6	NOSE, SILENCER .....	-	0	17235-ZH9-N01	VWT4
	13	17235-Z5H-800	NOSE, SILENCER .....	-	1	VWT4
	14	90634-ZL8-H00	CAP, SEALING .....	-	1	VWT4
E-16	9	ARRESTER, SPARK .....	-	(0)	18355-ZE2-W00	VAG2, VWA2

## PARTS CATALOGUE NEWS

BOOKNo. : 13Z5H602

Block No.	Ref. No.	Part No.	Description	Reqd. QTY		Base Part No.	Parts catalogue code
				GX 270 U	GX 270 R		
	22	90050-ZE1-000	SCREW, TAPPING, 5X8 .....	-	1	90055-ZE1-000	VAG2, VWA2
E-16-3	2	18310-ZH9-V02	MUFFLER COMP. (SDMO) .....	-	1	18310-ZH9-V01	VPE4, VPE7, VPX4, VS37
E-16-4	1	18310-ZE2-V61	MUFFLER COMP. (TSURUMI) .....	-	1	18310-ZE2-V60	VKE4, VKX4
E-17	16	91424-Z5J-802	TUBE, FUEL, 4.5X120(FKM) .....	-	1	91424-Z5J-801	VKE4, VKX4, VPE4, VPE5, VPE7, VPX4, VPX5, VPX9
	17	91424-Z4J-802	TUBE, FUEL, 4.5X150(FKM) .....	-	1	91424-Z4J-801	VKE4, VKX4, VPE4, VPE5, VPE7, VPX4, VPX5, VPX9
	18	91424-Z4J-822	TUBE, FUEL, 4.5X430(FKM) .....	-	1	91424-Z4J-821	VS37
		91424-Z5F-802	TUBE, FUEL, 4.5X222(FKM) .....	-	1	91424-Z5F-801	VAG2, VMS2, VMX2
E-21	1	31200-ZH9-013	MOTOR ASSY., STARTER .....	-	1	31200-ZH9-003	VKE4
E-22-10	6	36160-ZB4-013	SOLENOID ASSY. ....	-	1	36160-ZB4-003	VAG2, VMS2
E-40	1	16500-ZE2-703	SWITCH, THERMO .....	-	1	16500-ZE2-702	VKE4
	7	35100-ZE2-843	SWITCH ASSY., COMBINATION (3A-CHARGE) .....	-	1	35100-ZE2-842	VKE4
	9	36170-ZB4-013	VALVE ASSY., SOLENOID .....	-	1	36170-ZB4-003	VKE4
	16	18355-ZE2-W00	ARRESTER, SPARK .....	-	1		VPE5, VPX5
	17	94050-08000	NUT, FLANGE, 8MM .....	-	2		VMS2, VMX2, VPE5, VPX5



# PARTS CATALOGUE NEWS

Honda Motor Co., Ltd. Service Division

## PARTS CATALOGUE - CORRECTED

Printed in Japan

CODE NO.	13Z5H602
PARTS CATALOGUE NEWS	GX270U GX270R
NEWS NO.	010

Block No.	Ref. No.	Note	Part No.	Description	Reqd. QTY		Serial No.	Parts catalogue code
					GX 270 U	GX 270 R		
E-17	18	L	91424-Z5F-801	TUBE, FUEL, 4. 5X222 (FKM) . . . . .	1	-	----- 1221591	HKS8, VKQ4, WMT8
					1	-	1042606 -----	LXE8, LXU, QAG2, QA26, QHE4, QHR, QHR4, QKE3, QSE2, QSE8, QXB, QXE6, QXQ4, QXU, SXB, SXEB, SXE8, SXQ4, SXU, VME2, VNG1, VSD, VXEB, VXU1
					1	-	1042606 1221591	HA2, HEA2, HEA8, HXQ4, HX26, HX8, LXQ4, PAE2, PA2, PXE8, PXU, PX26, QAE2, QAE6, QAG, QAQ4, QAR2, QAW, QA2, QE, QHQ4, QH26, QKE4, QME2, QSC9, QWA4, QWH2, QXB6, QXB7, QXB9, QXC4, QXC6, QXC9, QXE4, QXE8, RA2, RHE4, RHQ4, RH26, RXQ4, RXU, SAX4, SE, SHQ4, SMC4, SME1, SME6, SMX2, SWA4, SWC4, SXB7, SXB9, SXE4, VAG2, VA2, VDE2, VKB2, VMA4, VME4, VMS2, VMX2, VM2, VNT2, VN17, VN19, VSD7, VSD9, VSH7, VSH9, VWN2, VW12, VXB, VXB7, VXB9, VXE4, VXE6, VXE7, VXE9, VXQ4, VX2, WMA4
			-	1	----- 1221591	VDE2, VKB2, VNT2, VWN2, VW12		
		T	91424-Z5F-802	.....	1	1	1221592 -----	HA2, HEA2, HEA8, HKS8, HXQ4, HX26, HX8, LXQ4, PAE2, PA2, PXE8, PXU, PX26, QAE2, QAE6, QAG, QAQ4, QAR2, QAW, QA2, QE, QHQ4, QH26, QKE4, QME2, QSC9, QWA4, QWH2, QXB6, QXB7, QXB9, QXC4, QXC6, QXC9, QXE4, QXE8, RA2, RHE4, RHQ4, RH26, RXQ4, RXU, SAX4, SE, SHQ4, SMC4, SME1, SME6, SMX2, SWA4, SWC4, SXB7, SXB9, SXE4, VA2, VDE2, VKB2, VKQ4, VMA4, VME4, VM2, VNT2, VN17, VN19, VSD7, VSD9, VSH7, VSH9, VWN2, VW12, VXB, VXB7, VXB9, VXE4, VXE6, VXE7, VXE9, VXQ4, VX2, WMA4, WMT8
					1	-	1221592 -----	VAG2, VMS2, VMX2
					-	1	-----	VAG2, VMS2, VMX2

NOTE A:PART NO. CHANGE D:NEWLY PROVIDED E:PART NO. DELETION K:REQUIRED NO. CORRECTION L:APPLICATION SERIAL NO. CORRECTION  
T:APPLICATION CORRECTION Z:REMARKS CHANGE





# PARTS CATALOGUE NEWS

Honda Motor Co., Ltd. Service Division

## PARTS CATALOGUE - CORRECTED

Printed in Japan

CODE NO.	13Z5H602
PARTS CATALOGUE NEWS	GX270U GX270R
NEWS NO.	011

Block No.	Ref. No.	Note	Part No.	Description	Reqd. QTY		Serial No.	Parts catalogue code
					GX 270 U	GX 270 R		
E-17	16	L	91424-Z5J-801	TUBE, FUEL, 4.5X120(FKM) . . . . .	1	-	1043278 -----	VE39, VKE4, VKE9, VKX9, VPE9, VPX7, VX39
					1	-	1043278 1224704	VKX4, VPE4, VPE5, VPE7, VPX4, VPX5, VPX9
					1	-	1224705 -----	VKX4, VPE4, VPE5, VPE7, VPX4, VPX5, VPX9
		T	91424-Z5J-802	.....	-	1	-----	VKE4, VKX4, VPE4, VPE5, VPE7, VPX4, VPX5, VPX9
	1				-	1043278 -----	VE39, VKE4, VKE9, VKX9, VPE9, VPX7, VX39	
	1				-	1043278 1224704	VKX4, VPE4, VPE5, VPE7, VPX4, VPX5, VPX9	
17	L	91424-Z4J-801	TUBE, FUEL, 4.5X150(FKM) . . . . .	1	-	1043278 -----	VE39, VKE4, VKE9, VKX9, VPE9, VPX7, VX39	
				1	-	1043278 1224704	VKX4, VPE4, VPE5, VPE7, VPX4, VPX5, VPX9	
				1	-	1224705 -----	VKX4, VPE4, VPE5, VPE7, VPX4, VPX5, VPX9	
	T	91424-Z4J-802	.....	-	1	-----	VKE4, VKX4, VPE4, VPE5, VPE7, VPX4, VPX5, VPX9	

NOTE A:PART NO. CHANGE D:NEWLY PROVIDED E:PART NO. DELETION K:REQUIRED NO. CORRECTION L:APPLICATION SERIAL NO. CORRECTION  
T:APPLICATION CORRECTION Z:REMARKS CHANGE



# PARTS CATALOGUE NEWS

Honda Motor Co., Ltd. Service Division

Printed in Japan

CODE NO.	13Z5H602
PARTS CATALOGUE NEWS	GX270U GX270R
NEWS NO.	012

## GX270U-SWS4 TYPE sales parts information

NOTE: This Parts Catalogue News explains only the parts of the different model that are produced to conform to addition of the GX270U-SWS4 type.

As for the parts not listed on this Parts Catalogue News, use the parts of the GX270U-SWC4 type.

### •Models, parts catalogue codes and applicable serial numbers

Model	Type		Parts catalogue type	Applicable engine serial No.	Applicable carburetor identification No.
GX270U	SWC4	Base type	SWC4	GCALK-1000001~	BE75B B / C
	SWS4	Additional type	SWS4		

•Features of each type		Base type	Additional type
<b>Specifications</b>		<b>Model</b>	<b>GX270U</b>
		<b>Type</b>	<b>SWC4      SWS4</b>
Crankshaft	25mmØ Straight	●	●
	25.4mmØ Straight		
	20mmØ Spline		
	M20 Stepped thread		
	1" Thread		
	3/16" Tapered		
	1/5" Tapered		
Fuel tank	●	●	
Starter motor			
Control box			
Reduction			

## PARTS CATALOGUE NEWS

BOOKNo. : 13Z5H602

Block No.	Ref. No.	Part No.	Description	Reqd. QTY		Base Part No.	Parts catalogue code
				GX 270 U	GX 270 R		
E-3	2	35480-ZF6-003	SWITCH ASSY., OIL LEVEL .....	1	-	15510-ZE2-053	
E-11	1		STARTER ASSY., RECOIL *R280*..... POWER RED	0	-	28400-ZE2-W01ZN	
	2		CASE COMP., RECOIL STARTER *R280*..... POWER RED	0	-	28410-ZE2-W01ZN	
E-12	2		COVER COMP., FAN *R280*..... POWER RED	0	-	19610-ZE2-010ZL	
E-16	4	18323-ZE2-W00	PROTECTOR, EX. PIPE .....	1	-		
	5		PROTECTOR, EX. PIPE (100DB) ..	0	-	18323-ZE2-W60	
	6	18330-ZE2-W00	PIPE, EX. ....	1	-	18330-ZH9-N00	
E-17	6		TANK COMP., FUEL *NH31*..... MCKINLEY WHITE	0	-	17510-ZE2-801ZC	
E-22	8		CONTROL ASSY. (REMOTE) .....	0	-	16570-ZE2-W20	
	9	16570-ZE2-W50	CONTROL ASSY. (REMOTE) .....	1	-		
	21	16594-883-010	HOLDER, WIRE .....	1	-		
	28	90605-230-000	CIRCLIP, 5MM .....	1	-		
	29	93500-04006-0H	SCREW, PAN, 4X6 .....	1	-		
E-28	1	87516-ZH7-810	MARK, OPERATOR CAUTION (PICTOGRAPH) (MADE IN JAPAN)	(1)	-		
E-40	3	18331-ZE2-810	CAP, MUFFLER .....	1	-		
	10	90055-ZE1-000	SCREW, TAPPING, 4X6 .....	3	-		
E-40-1	2		MARK, OPERATOR CAUTION (PICTOGRAPH) (MADE IN JAPAN)	0	-	87516-ZH7-810	

December 21, 2008



# PARTS CATALOGUE NEWS

Honda Motor Co., Ltd. Service Division

## PARTS CATALOGUE - CORRECTED

Printed in Japan

CODE NO.	13Z5H602
PARTS CATALOGUE NEWS	GX270U GX270R
NEWS NO.	013

Block No.	Ref. No.	Note	Part No.	Description	Reqd. QTY		Serial No.	Parts catalogue code
					GX 270 U	GX 270 R		
E-2	5	D	12251-Z1D-801	GASKET, CYLINDER HEAD (THAI LEAKLESS)	(1)	(1)	-----	VNT2

NOTE A:PART NO. CHANGE D:NEWLY PROVIDED E:PART NO.DELETION K:REQUIRED NO. CORRECTION L:APPLICATION SERIAL NO. CORRECTION  
T:APPLICATION CORRECTION Z:REMARKS CHANGE



# PARTS CATALOGUE NEWS

Honda Motor Co., Ltd. Service Division

## PARTS CATALOGUE - CORRECTED

Printed in Japan

CODE NO.	13Z5H602
PARTS CATALOGUE NEWS	GX270U GX270R
NEWS NO.	014

Block No.	Ref. No.	Note	Part No.	Description	Reqd. QTY		Serial No.	Parts catalogue code
					GX 270 U	GX 270 R		
E-17	18	L	91424-Z4J-821	TUBE, FUEL, 4.5X430(FKM) .....	1	-	1048468 -----	VSD3, VS39
					1	-	1048468 1230697	VS37
	T	91424-Z4J-822	.....	1	-	1230698 -----	VS37	
				-	1	-----	VS37	

NOTE A:PART NO. CHANGE D:NEWLY PROVIDED E:PART NO.DELETION K:REQUIRED NO. CORRECTION L:APPLICATION SERIAL NO. CORRECTION  
T:APPLICATION CORRECTION Z:REMARKS CHANGE



# PARTS CATALOGUE NEWS

Honda Motor Co., Ltd. Service Division

## PARTS CATALOGUE - CORRECTED

Printed in Japan

CODE NO.	13Z5H602
PARTS CATALOGUE NEWS	GX270U GX270R
NEWS NO.	015

Block No.	Ref. No.	Note	Part No.	Description	Reqd. QTY		Serial No.	Parts catalogue code	
					GX 270 U	GX 270 R			
E-15-2	6	L	17235-ZH9-N01	NOSE, SILENCER .....	1	-	-----	HKS8, QXB9, SXB9, VN19, VSD9, VSH9, VXB9, VXE9	
					1	-	1015116	-----	QXB, QXB7, SXB, SXB7, SXEB, VNG1, VN17, VSD, VSD7, VSH7, VXB, VXB7 VXEB, VXE7
					1	-	1015116	1229814	VWT4
	13	T	17235-Z5H-800	NOSE, SILENCER .....	1	-	1229815	-----	VWT4
					-	1	-----	-----	VWT4
14	T	90634-ZL8-H00	CAP, SEALING .....	1	-	1229815	-----	VWT4	
				-	1	-----	-----	VWT4	

NOTE A:PART NO. CHANGE D:NEWLY PROVIDED E:PART NO. DELETION K:REQUIRED NO. CORRECTION L:APPLICATION SERIAL NO. CORRECTION  
T:APPLICATION CORRECTION Z:REMARKS CHANGE



# PARTS CATALOGUE NEWS

Honda Motor Co., Ltd. Service Division

## PARTS CATALOGUE - CORRECTED

Printed in Japan

CODE NO.	13Z5H602
PARTS CATALOGUE NEWS	GX270U GX270R
NEWS NO.	016

Block No.	Ref. No.	Note	Part No.	Description	Reqd. QTY		Serial No.	Parts catalogue code
					GX 270 U	GX 270 R		
E-3	2	L	15510-ZE2-053	SWITCH ASSY., OIL LEVEL .....	1	-	----- 1231591	HKS8
					1	-	1182908 1231591	HA2, HEA2, HEA8, HXQ4, HX26, HX8, LXQ4, PAE2, PA2, PXE8, PXU, PX26 QAE2, QAE6, QAG, QAQ4, QAR2, QAW, QA2, QKE4, QME2, QSC9, QWH2, QXB6 QXB7, QXB9, QXC4, QXC6, QXC9, QXE4, QXE8, RA2, RSC2, RXQ4, RXU, SMC4 SME1, SME6, SMX2, SWA4, SWC4, SXB7, SXB9, SXE4, VAG2, VA2, VDE2 VKB2, VKX4, VMA4, VME4, VMS2, VMX2, VM2, VNT2, VN17, VN19, VPE4 VPE5, VPE7, VPX4, VPX5, VPX9, VSD7, VSD9, VSH7, VSH9, VS37, VWA2 VWN2, VWT4, VV12, VXB, VXB7, VXB9, VXE4, VXE6, VXE7, VXE9, VXQ4, VX2 WMA4, WMT8
					-	1	----- 1231591	RSC2, VDE2, VKB2, VNT2, VWN2, VW12
		T	35480-ZF6-003	.....	1	1	1231592 -----	HA2, HEA2, HEA8, HKS8, HXQ4, HX26, HX8, LXQ4, PAE2, PA2, PXE8, PXU PX26, QAE2, QAE6, QAG, QAQ4, QAR2, QAW, QA2, QKE4, QME2, QSC9, QWA4 QWH2, QXB6, QXB7, QXB9, QXC4, QXC6, QXC9, QXE4, QXE8, RA2, RSC2 RXQ4, RXU, SMC4, SME1, SME6, SMX2, SWA4, SWC4, SXB7, SXB9, SXE4, VA2 VDE2, VKB2, VMA4, VME4, VM2, VNT2, VN17, VN19, VSD7, VSD9, VSH7 VSH9, VWN2, VV12, VXB, VXB7, VXB9, VXE4, VXE6, VXE7, VXE9, VXQ4, VX2 WMA4, WMT8
					1	-	----- -----	SWS4
					1	-	1231592 -----	VAG2, VKX4, VMS2, VMX2, VPE4, VPE5, VPE7, VPX4, VPX5, VPX9, VS37 VWA2, VWT4
					-	1	----- -----	VAG2, VKE4, VKX4, VMS2, VMX2, VPE4, VPE5, VPE7, VPX4, VPX5, VPX9 VS37, VWA2, VWT4

NOTE A:PART NO. CHANGE D:NEWLY PROVIDED E:PART NO. DELETION K:REQUIRED NO. CORRECTION L:APPLICATION SERIAL NO. CORRECTION  
T:APPLICATION CORRECTION Z:REMARKS CHANGE



## PARTS CATALOGUE NEWS

BOOKNo. : 13Z5H602

Block No.	Ref. No.	Note	Part No.	Description	Reqd. QTY		Serial No.	Parts catalogue code
					GX 270 U	GX 270 R		
E-16	10	D	18381-Z8S-801	GASKET, MUFFLER (ARRESTER) (THAI LEAKLESS)	1	1	-----	QAE2, QAE6, QAG, QAQ4, QAR2, QA2, SMX2, SWS4, VAG2, VA2, VDE2, VKQ4 VMA4, VME4, VM2, VWA2, VWN2, VW12
E-16-1	9	D	18381-Z8S-801	GASKET, MUFFLER (ARRESTER) (THAI LEAKLESS)	1	1	-----	HKS8, QE, QXB7, QXB9, RSC2, SAX4, SE, SMC4, SWA4, SXB7, SXB9, VN17 VN19, VSD7, VSD9, VSH7, VSH9, VXB, VXB7, VXB9, VXE7, VXE9

NOTE A:PART NO. CHANGE D:NEWLY PROVIDED E:PART NO. DELETION K:REQUIRED NO. CORRECTION L:APPLICATION SERIAL NO. CORRECTION  
T:APPLICATION CORRECTION Z:REMARKS CHANGE



# PARTS CATALOGUE NEWS

Honda Motor Co., Ltd. Service Division

## PARTS CATALOGUE - CORRECTED

Printed in Japan

CODE NO.	13Z5H602
PARTS CATALOGUE NEWS	GX270U GX270R
NEWS NO.	017

Block No.	Ref. No.	Note	Part No.	Description	Reqd. QTY		Serial No.	Parts catalogue code
					GX 270 U	GX 270 R		
EOP-2	1	T	17233-896-701	COLLAR, AIR CLEANER CASE . . . . .	(2)	-	-----	HXQ4, LXQ4, QAQ4, QE, QHE4, QHQ4, QHR, QHR4, QKE3, QKE4, QME2, QWA4 QXB, QXB7, QXB9, QXC4, QXE4, QXQ4, RHE4, RHG4, RHQ4, RXQ4, SAX4, SE SHQ4, SMC4, SME1, SME6, SWA4, SWC4, SWS4, SXB, SXB7, SXB9, SXEB SXE4, SXQ4, VKQ4, VMA4, VME4, VNG1, VN17, VN19, VPX7, VSD, VSD3 VSD7, VSD9, VSH7, VSH9, VXB, VXB7, VXB9, VXEB, VXE4, VXE7, VXE9 VXQ4, WMA4
					-	(2)	-----	VPE4, VPE7, VPX4, VS37, VWT4
					(1)	-	-----	HXQ4, LXQ4, QE, QKE3, QKE4, QME2, QWA4, QXB, QXB7, QXB9, QXC4, QXE4 QXQ4, RXQ4, SAX4, SE, SMC4, SME1, SME6, SWA4, SWC4, SWS4, SXB, SXB7 SXB9, SXEB, SXE4, SXQ4, VMA4, VME4, VNG1, VN17, VN19, VPX7, VSD VSD3, VSD7, VSD9, VSH7, VSH9, VXB, VXB7, VXB9, VXEB, VXE4, VXE7 VXE9, VXQ4
3	T	18434-ZF6-W40	COVER COMP., RR. MUFFLER . . . . .	(1)	-	-----	HXQ4, LXQ4, QE, QKE3, QKE4, QME2, QWA4, QXB, QXB7, QXB9, QXC4, QXE4 QXQ4, RXQ4, SAX4, SE, SMC4, SME1, SME6, SWA4, SWC4, SWS4, SXB, SXB7 SXB9, SXEB, SXE4, SXQ4, VMA4, VME4, VNG1, VN17, VN19, VPX7, VSD VSD3, VSD7, VSD9, VSH7, VSH9, VXB, VXB7, VXB9, VXEB, VXE4, VXE7 VXE9, VXQ4	
				-	(1)	-----	VPE4, VPE7, VPX4, VS37, VWT4	
4	T	18436-ZH8-W40	BASE COMP., MUFFLER COVER . . . . .	(1)	-	-----	HXQ4, LXQ4, QAQ4, QE, QHE4, QHQ4, QHR, QHR4, QKE3, QKE4, QME2, QWA4 QXB, QXB7, QXB9, QXC4, QXE4, QXQ4, RHE4, RHG4, RHQ4, RXQ4, SAX4, SE SHQ4, SMC4, SME1, SME6, SWA4, SWC4, SWS4, SXB, SXB7, SXB9, SXEB SXE4, SXQ4, VKQ4, VMA4, VME4, VNG1, VN17, VN19, VPX7, VSD, VSD3 VSD7, VSD9, VSH7, VSH9, VXB, VXB7, VXB9, VXEB, VXE4, VXE7, VXE9 VXQ4, WMA4	
				-	(1)	-----	VPE4, VPE7, VPX4, VS37, VWT4	

NOTE A:PART NO. CHANGE D:NEWLY PROVIDED E:PART NO.DELETION K:REQUIRED NO. CORRECTION L:APPLICATION SERIAL NO. CORRECTION  
T:APPLICATION CORRECTION Z:REMARKS CHANGE

PARTS CATALOGUE NEWS

BOOKNo. : 13Z5H602

Block No.	Ref. No.	Note	Part No.	Description	Reqd. QTY		Serial No.	Parts catalogue code	
					GX 270 U	GX 270 R			
					-	(1)	-----	-----	VPE4, VPE7, VPX4, VS37, VWT4
	5	T	18437-ZF6-W40	STAY, MUFFLER COVER .....	(1)	-	-----	-----	HXQ4, LXQ4, QAQ4, QE, QHE4, QHQ4, QHR, QHR4, QKE3, QKE4, QME2, QWA4 QXB, QXB7, QXB9, QXC4, QXE4, QXQ4, RHE4, RHG4, RHQ4, RXQ4, SAX4, SE SHQ4, SMC4, SME1, SME6, SWA4, SWC4, SWS4, SXB, SXB7, SXB9, SXEB SXE4, SXQ4, VKQ4, VMA4, VME4, VNG1, VN17, VN19, VPX7, VSD, VSD3 VSD7, VSD9, VSH7, VSH9, VXB, VXB7, VXB9, VXEB, VXE4, VXE7, VXE9 VXQ4, WMA4
					-	(1)	-----	-----	VPE4, VPE7, VPX4, VS37, VWT4
	6	T	18438-ZF6-W40	PLATE, SET .....	(1)	-	-----	-----	HXQ4, LXQ4, QAQ4, QE, QHE4, QHQ4, QHR, QHR4, QKE3, QKE4, QME2, QWA4 QXB, QXB7, QXB9, QXC4, QXE4, QXQ4, RHE4, RHG4, RHQ4, RXQ4, SAX4, SE SHQ4, SMC4, SME1, SME6, SWA4, SWC4, SWS4, SXB, SXB7, SXB9, SXEB SXE4, SXQ4, VKQ4, VMA4, VME4, VNG1, VN17, VN19, VPX7, VSD, VSD3 VSD7, VSD9, VSH7, VSH9, VXB, VXB7, VXB9, VXEB, VXE4, VXE7, VXE9 VXQ4, WMA4
					-	(1)	-----	-----	VPE4, VPE7, VPX4, VS37, VWT4
	7	T	18466-ZH8-W40	SPACER, MUFFLER COVER .....	(3)	-	-----	-----	HXQ4, LXQ4, QAQ4, QE, QHE4, QHQ4, QHR, QHR4, QKE3, QKE4, QME2, QWA4 QXB, QXB7, QXB9, QXC4, QXE4, QXQ4, RHE4, RHG4, RHQ4, RXQ4, SAX4, SE SHQ4, SMC4, SME1, SME6, SWA4, SWC4, SWS4, SXB, SXB7, SXB9, SXEB SXE4, SXQ4, VKQ4, VMA4, VME4, VNG1, VN17, VN19, VPX7, VSD, VSD3 VSD7, VSD9, VSH7, VSH9, VXB, VXB7, VXB9, VXEB, VXE4, VXE7, VXE9 VXQ4, WMA4
					-	(3)	-----	-----	VPE4, VPE7, VPX4, VS37, VWT4
	8	T	90050-ZE1-000	SCREW, TAPPING, 5X8 .....	(1)	-	-----	-----	HXQ4, LXQ4, QAQ4, QE, QHE4, QHQ4, QHR, QHR4, QKE3, QKE4, QME2, QWA4 QXB, QXB7, QXB9, QXC4, QXE4, QXQ4, RHE4, RHG4, RHQ4, RXQ4, SAX4, SE SHQ4, SMC4, SME1, SME6, SWA4, SWC4, SWS4, SXB, SXB7, SXB9, SXEB SXE4, SXQ4, VKQ4, VMA4, VME4, VNG1, VN17, VN19, VPX7, VSD, VSD3 VSD7, VSD9, VSH7, VSH9, VXB, VXB7, VXB9, VXEB, VXE4, VXE7, VXE9 VXQ4, WMA4
					-	(1)	-----	-----	VPE4, VPE7, VPX4, VS37, VWT4
	9	T	90050-ZH8-W40	SCREW, TAPPING, 5X25 .....	(2)	-	-----	-----	HXQ4, LXQ4, QAQ4, QE, QHE4, QHQ4, QHR, QHR4, QKE3, QKE4, QME2, QWA4 QXB, QXB7, QXB9, QXC4, QXE4, QXQ4, RHE4, RHG4, RHQ4, RXQ4, SAX4, SE SHQ4, SMC4, SME1, SME6, SWA4, SWC4, SWS4, SXB, SXB7, SXB9, SXEB SXE4, SXQ4, VKQ4, VMA4, VME4, VNG1, VN17, VN19, VPX7, VSD, VSD3 VSD7, VSD9, VSH7, VSH9, VXB, VXB7, VXB9, VXEB, VXE4, VXE7, VXE9 VXQ4, WMA4
					-	(2)	-----	-----	VPE4, VPE7, VPX4, VS37, VWT4

NOTE A:PART NO. CHANGE D:NEWLY PROVIDED E:PART NO.DELETION K:REQUIRED NO. CORRECTION L:APPLICATION SERIAL NO. CORRECTION  
T:APPLICATION CORRECTION Z:REMARKS CHANGE

PARTS CATALOGUE NEWS

BOOKNo. : 13Z5H602

Block No.	Ref. No.	Note	Part No.	Description	Reqd. QTY		Serial No.	Parts catalogue code
					GX 270 U	GX 270 R		
	10	T	90302-KF9-900	NUT, HEX., 5MM .....	(3)	-	-----	HXQ4, LXQ4, QAQ4, QE, QHE4, QHQ4, QHR, QHR4, QKE3, QKE4, QME2, QWA4 QXB, QXB7, QXB9, QXC4, QXE4, QXQ4, RHE4, RHG4, RHQ4, RXQ4, SAX4, SE SHQ4, SMC4, SME1, SME6, SWA4, SWC4, SWS4, SXB, SXB7, SXB9, SXEB SXE4, SXQ4, VKQ4, VMA4, VME4, VNG1, VN17, VN19, VPX7, VSD, VSD3 VSD7, VSD9, VSH7, VSH9, VXB, VXB7, VXB9, VXEB, VXE4, VXE7, VXE9 VXQ4, WMA4
					-	(3)	-----	VPE4, VPE7, VPX4, VS37, VWT4
	11	T	93891-05012-00	SCREW-WASHER, 5X12 .....	(1)	-	-----	HXQ4, LXQ4, QAQ4, QE, QHE4, QHQ4, QHR, QHR4, QKE3, QKE4, QME2, QWA4 QXB, QXB7, QXB9, QXC4, QXE4, QXQ4, RHE4, RHG4, RHQ4, RXQ4, SAX4, SE SHQ4, SMC4, SME1, SME6, SWA4, SWC4, SWS4, SXB, SXB7, SXB9, SXEB SXE4, SXQ4, VKQ4, VMA4, VME4, VNG1, VN17, VN19, VPX7, VSD, VSD3 VSD7, VSD9, VSH7, VSH9, VXB, VXB7, VXB9, VXEB, VXE4, VXE7, VXE9 VXQ4, WMA4
					-	(1)	-----	VPE4, VPE7, VPX4, VS37, VWT4
	12	T	93891-06020-07	SCREW-WASHER, 6X20 .....	(3)	-	-----	HXQ4, LXQ4, QAQ4, QE, QHE4, QHQ4, QHR, QHR4, QKE3, QKE4, QME2, QWA4 QXB, QXB7, QXB9, QXC4, QXE4, QXQ4, RHE4, RHG4, RHQ4, RXQ4, SAX4, SE SHQ4, SMC4, SME1, SME6, SWA4, SWC4, SWS4, SXB, SXB7, SXB9, SXEB SXE4, SXQ4, VKQ4, VMA4, VME4, VNG1, VN17, VN19, VPX7, VSD, VSD3 VSD7, VSD9, VSH7, VSH9, VXB, VXB7, VXB9, VXEB, VXE4, VXE7, VXE9 VXQ4, WMA4
					-	(3)	-----	VPE4, VPE7, VPX4, VS37, VWT4
	13	T	94103-05700	WASHER, PLAIN, 5MM .....	(3)	-	-----	HXQ4, LXQ4, QAQ4, QE, QHE4, QHQ4, QHR, QHR4, QKE3, QKE4, QME2, QWA4 QXB, QXB7, QXB9, QXC4, QXE4, QXQ4, RHE4, RHG4, RHQ4, RXQ4, SAX4, SE SHQ4, SMC4, SME1, SME6, SWA4, SWC4, SWS4, SXB, SXB7, SXB9, SXEB SXE4, SXQ4, VKQ4, VMA4, VME4, VNG1, VN17, VN19, VPX7, VSD, VSD3 VSD7, VSD9, VSH7, VSH9, VXB, VXB7, VXB9, VXEB, VXE4, VXE7, VXE9 VXQ4, WMA4
					-	(3)	-----	VPE4, VPE7, VPX4, VS37, VWT4
	14	T	94111-05000	WASHER, SPRING, 5MM .....	(1)	-	-----	HXQ4, LXQ4, QAQ4, QE, QHE4, QHQ4, QHR, QHR4, QKE3, QKE4, QME2, QWA4 QXB, QXB7, QXB9, QXC4, QXE4, QXQ4, RHE4, RHG4, RHQ4, RXQ4, SAX4, SE SHQ4, SMC4, SME1, SME6, SWA4, SWC4, SWS4, SXB, SXB7, SXB9, SXEB SXE4, SXQ4, VKQ4, VMA4, VME4, VNG1, VN17, VN19, VPX7, VSD, VSD3 VSD7, VSD9, VSH7, VSH9, VXB, VXB7, VXB9, VXEB, VXE4, VXE7, VXE9 VXQ4, WMA4
					-	(1)	-----	VPE4, VPE7, VPX4, VS37, VWT4

NOTE A:PART NO. CHANGE D:NEWLY PROVIDED E:PART NO.DELETION K:REQUIRED NO. CORRECTION L:APPLICATION SERIAL NO. CORRECTION  
T:APPLICATION CORRECTION Z:REMARKS CHANGE



# PARTS CATALOGUE NEWS

Honda Motor Co., Ltd. Service Division

## PARTS CATALOGUE - CORRECTED

Printed in Japan

CODE NO.	13Z5H602
PARTS CATALOGUE NEWS	GX270U GX270R
NEWS NO.	018

Block No.	Ref. No.	Note	Part No.	Description	Reqd. QTY		Serial No.	Parts catalogue code
					GX 270 U	GX 270 R		
E-14-2	17	T	16230-ZE3-701	VALVE ASSY., SOLENOID .....	1	-	-----	VKE4, VKE9
		T	16230-ZE3-702	.....	1	1	-----	VMS2, VMX2
						-	1	-----
E-22-10	6	E	36160-ZB4-003	*PARTS NO. DELETION				
		T	36160-ZB4-013	SOLENOID ASSY. ....	1	1	-----	VAG2, VMS2

NOTE A:PART NO. CHANGE D:NEWLY PROVIDED E:PART NO.DELETION K:REQUIRED NO. CORRECTION L:APPLICATION SERIAL NO. CORRECTION  
T:APPLICATION CORRECTION Z:REMARKS CHANGE



# PARTS CATALOGUE NEWS

Honda Motor Co., Ltd. Service Division

## PARTS CATALOGUE - CORRECTED

Printed in Japan

CODE NO.	13Z5H602
PARTS CATALOGUE NEWS	GX270U GX270R
NEWS NO.	019

Block No.	Ref. No.	Note	Part No.	Description	Reqd. QTY		Serial No.	Parts catalogue code
					GX 270 U	GX 270 R		
E-16-4	1	L	18310-ZE2-V60	MUFFLER COMP. (TSURUMI) .....	1	-	-----	VE39, VKE4, VKE9, VKX9, VX39
					1	-	-----	1226383 VKX4
		T	18310-ZE2-V61	.....	1	-	1226384	VKX4
					-	1	-----	VKE4, VKX4

NOTE A:PART NO. CHANGE D:NEWLY PROVIDED E:PART NO.DELETION K:REQUIRED NO. CORRECTION L:APPLICATION SERIAL NO. CORRECTION  
T:APPLICATION CORRECTION Z:REMARKS CHANGE