

GENERAL PURPOSE ENGINE

**GX340K1
GX340K1
[PROPANE ENGINE]**

PARTS CATALOGUE

9



GX340K1

FOREWORD INDEX

1

ENGINE GROUP

2

PART NUMBER INDEX

3

PART NAME INDEX

4

Instruction for use of parts catalogue

- **This parts catalogue was prepared based on the latest information available as of February 10, 2008.**
- See the parts catalogue news for any revision that is made after February 10, 2008.
- **Always specify the part number when ordering a part.**
- Check the model, type, serial numbers, color, maker, and the size as needed before ordering a part.
- Note that the illustrations (part drawings) can differ from the actual parts in shape. They are given just to help you to refer to the parts.
- **When modifications or additions to this parts catalogue are made, a revised edition will be issued at an appropriate time, with successively progressing revision numbers on the cover. We recommend obtaining such revisions in order to keep your parts catalogue up-to-date at all times. To check whether a parts catalogue revision has been issued, please contact your Honda distributor.**

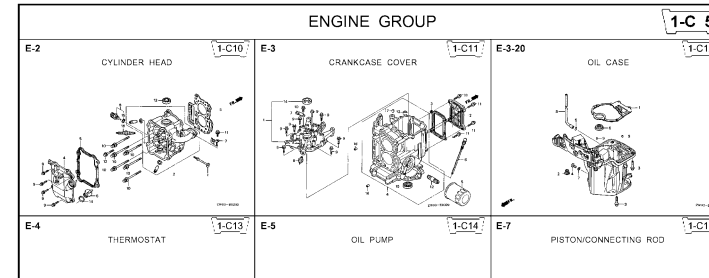
Initial version issue date **November 20, 2001**
Honda Motor Co., Ltd.

CONTENTS

| | Page | Address No. | |
|---|------|-------------|----------|
| ● Instruction for use of parts catalogue | 1 | B 1 | 1 |
| ● How to refer to the part information | 2 | B 2 | |
| ● Part catalogue structure | 3 | B 3 | |
| ● When the parts were revised | 4 | B 4 | |
| ● Abbreviations used in the parts catalogue | 4 | B 4 | |
| ● How to check the part block and serial numbers | 5 | B 5 | |
| ● Models, parts catalogue codes and applicable serial numbers | 6 | B 6 | |
| ● Features of each type | 16 | B16 | |
| ● Fuel hose, general purpose hoses and vinyl hose | 33 | D 1 | |
| ● FLAT RATE SERVICE TIME | 34 | D 2 | |
| ● Illustrated index | 39 | D 7 | |
| ● ENGINE GROUP | 47 | E 1 | 2 |
| ● PART NO. INDEX | 353 | 2-L 1 | 3 |
| ● PART NAME INDEX | 361 | 2-M 1 | 4 |

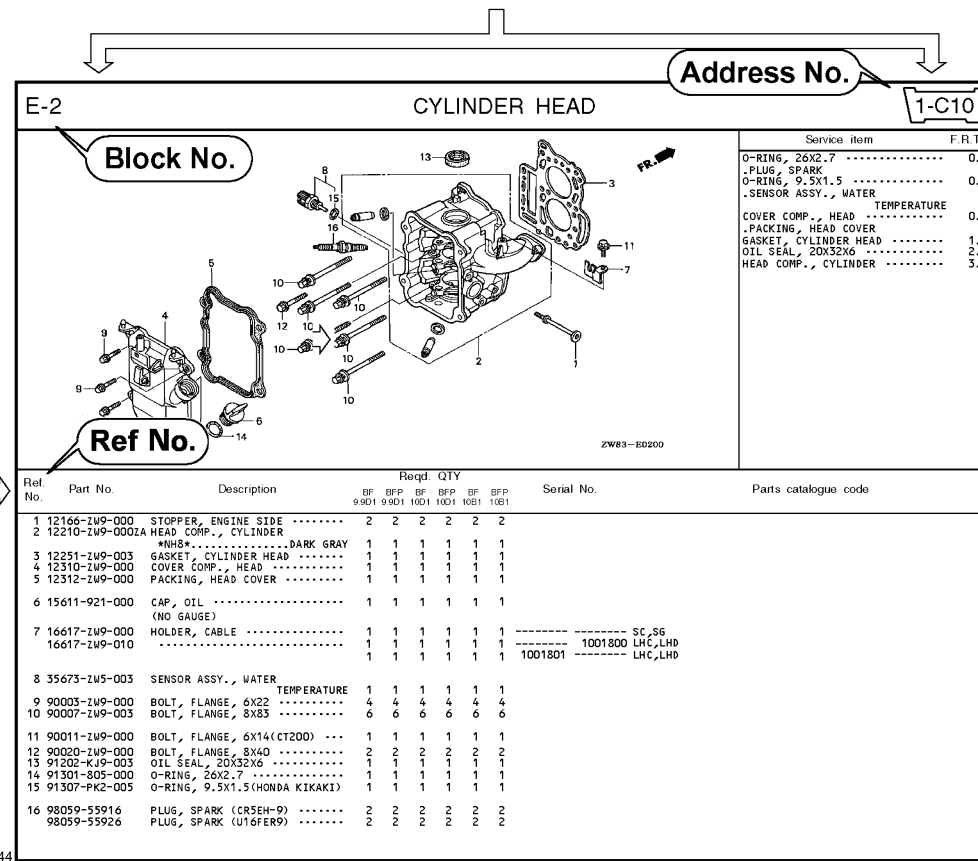
How to refer to the part information

A Reference with "Illustrated index"



B Reference with "Part number index"

| PART NO. INDEX | | | | | |
|-----------------|---------|------|------|---------------|--------------|
| Part Number | Address | Page | Ref. | Part Number | Address Page |
| 06000 | | | | 15212-ZW9-000 | 1-C14 3C |
| 06316-ZW9-000 | 1-G9 | 88 | 1 | 15220-ZW9-003 | 1-C14 3C |
| 11000 | | | | 15332-ZW9-000 | 1-E8 55 |
| 11300-ZW9-405 | 1-C11 | 27 | 1 | 15332-ZW9-A30 | 1-E11 5E |
| 11300-ZW9-406 | 1-C11 | 27 | 1 | 15400-PFB-004 | 1-C11 27 |
| 11340-ZW9-000 | 1-C11 | 27 | 2 | 15422-ZW9-000 | 1-C14 3C |
| 11342-ZW9-000 | 1-C11 | 27 | 3 | 15473-881-000 | 1-C14 3C |
| 11381-ZW9-003 | 1-C12 | 28 | 1 | 15474-ZW9-000 | 1-C14 3C |
| | | | | 15611-921-000 | 1-C10 2E |
| | | | | 15655-ZW9-000 | 1-C11 27 |
| | | | | 16000 | |
| 12000 | | | | 16010-ZV4-005 | 1-D4 3E |
| 12000-ZW9-405ZA | 1-C11 | 27 | 4 | 16011-ZV4-005 | 1-D4 3E |
| 12155-ZV4-A00 | 1-C13 | 29 | 1 | 16013-ZW9-003 | 1-D4 3E |
| 12166-ZW9-000 | 1-C10 | 26 | 1 | 16016-ZW9-003 | 1-D4 3E |
| 12209-GB4-681 | 1-C16 | 32 | 1 | 16016-ZW9-721 | 1-D4 3E |
| 12210-ZW9-405ZA | 1-C10 | 26 | 2 | 16023-ZW9-003 | 1-D4 3E |
| 12216-ZE2-300 | 1-E8 | 55 | 1 | 16024-ZV4-650 | 1-D4 3E |
| | 1-E11 | 58 | 1 | 16028-ZV4-650 | 1-D4 3E |



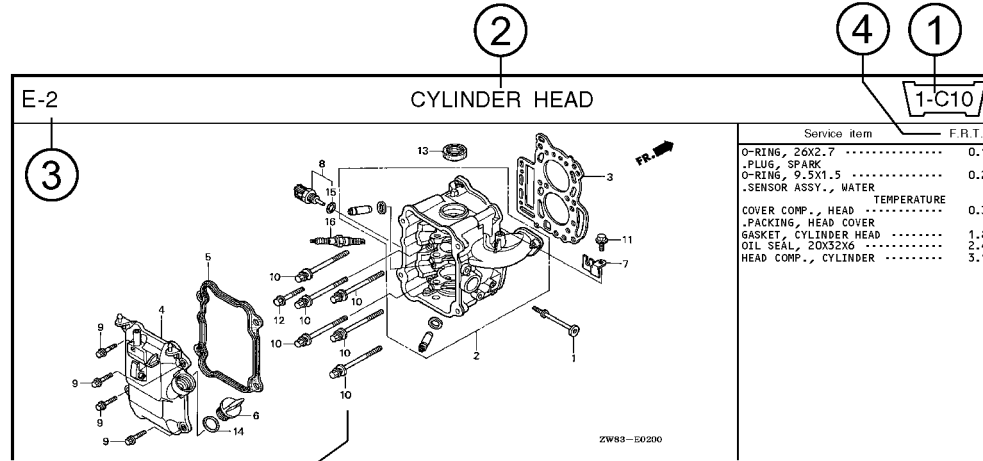
C Reference with "Part name index"

| PART NAME INDEX | | | | | |
|---------------------------|---------|------|------|--------|--|
| Part name | Address | Page | Ref. | | |
| [A] | | | | | |
| ABSORBER , FUEL | 1-E15 | 62 | 5 | BOLT , | |
| ARMATURE COMP. | 1-D11 | 43 | 7 | BOLT , | |
| ARM COMP. , LINK JOINT | 1-G6 | 85 | 18 | BOLT , | |
| ARM COMP. , SHIFT LINK | 1-G6 | 85 | 14 | BOLT , | |
| ARM COMP. , TILT | 1-F15 | 79 | 20 | | |
| ARM , FUEL PUMP ROCKER | 1-C16 | 32 | 4 | | |
| ARM , REVERSE LOCK | 1-F15 | 79 | 18 | | |
| ARM , SHIFT LINK | 1-F11 | 74 | 7 | | |
| ARM , STOPPER | 1-D1 | 33 | 12 | BOLT , | |
| ARM , THROTTLE REMOTE | 1-F11 | 74 | 6 | | |
| ARM , VALVE ROCKER | 1-C16 | 32 | 3 | | |
| [B] | | | | | |
| BAG , TOOL , 160MM | 1-G5 | 84 | 10 | | |
| BAND | 1-G6 | 86 | 37 | | |
| BAND B1 , WIRE | 1-F6 | 69 | 1 | | |
| BAND , CORD | 1-F3 | 67 | 18 | BOLT , | |
| BAND , TUBE CLIP , 11MM | 1-E15 | 63 | 20 | | |
| BAND , TUBE CLIP , 12.5MM | 1-E15 | 63 | 19 | BOLT , | |

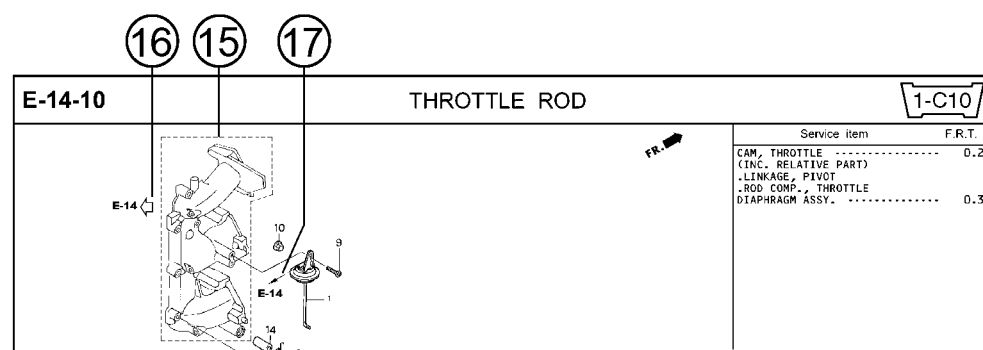
Page No.

2008.09.20 E

Part catalogue structure

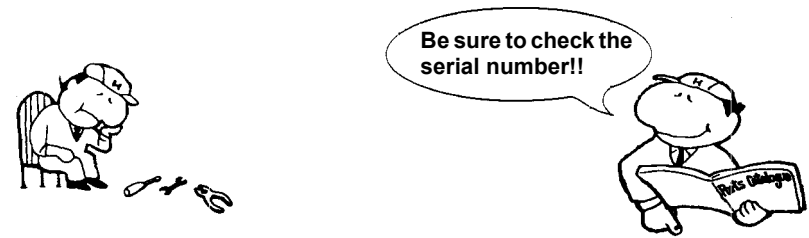


| Ref. No. | Part No. | Description | Reqd. QTY | | | | | | Serial No. | Parts catalogue code |
|----------|-----------------|---|-----------|-----------|---------|----------|---------|----------|-----------------|----------------------|
| | | | BF 9/9D1 | BFP 9/9D1 | BF 10D1 | BFP 10D1 | BF 10B1 | BFP 10B1 | | |
| 1 | 12166-ZW9-000 | STOPPER, ENGINE SIDE | 2 | 2 | 2 | 2 | 2 | 2 | | |
| 2 | 12210-ZW9-000ZA | HEAD COMP., CYLINDER *NHS* DARK GRAY | 1 | 1 | 1 | 1 | 1 | 1 | | |
| 3 | 12251-ZW9-003 | GASKET, CYLINDER HEAD | 1 | 1 | 1 | 1 | 1 | 1 | | |
| 4 | 12310-ZW9-000 | COVER COMP., HEAD | 1 | 1 | 1 | 1 | 1 | 1 | | |
| 5 | 12312-ZW9-000 | PACKING, HEAD COVER | 1 | 1 | 1 | 1 | 1 | 1 | | |
| 6 | 15611-921-000 | CAP, OIL (NO GAUGE) | 1 | 1 | 1 | 1 | 1 | 1 | | |
| 7 | 16617-ZW9-000 | HOLDER, CABLE | 1 | 1 | 1 | 1 | 1 | 1 | SC,SG | |
| | 16617-ZW9-010 | | 1 | 1 | 1 | 1 | 1 | 1 | 1001800 LHC,LHD | |



- ① **Address number**
 - Address No. is provided (in place of the page No.) to help you refer to the part with the part No. or part name.
- ② **Block title** ③ **Block number**
- ④ **Service item/Flat rate time**
- ⑤ **Reference number**
 - Title number marked with the parenthesis or parentheses indicates that it continues from the previous page.
- ⑥ **Part number** ⑦ **Honda color code**
- ⑧ **Description**
- ⑨ **Assemblies**
 - Sections framed with broken lines in the exploded view drawings are available as complete assemblies. (Their individual parts can also be obtained.)
- ⑩ **Color description**
- ⑪ **Note**
 - Notes are shown with the parentheses in the part name column.
- ⑫ **Required quantity**
 - Required QTY shown in the parenthesis or parentheses indicates the optional part.
 - Required QTY marked with "N" Indicates the optional part that should be selected as needed.
 - Required QTY indicates the number of the part used in the block.
- ⑬ **Serial number**
- ⑭ **Type**
 - When the type column is blank, it indicates that the part is applicable to all types.
 - As the type of the actual unit may differ from the "parts catalogue, type" please refer to "Models, types and applicable serial numbers" for confirmation.
- ⑮
 - Parts enclosed within a dotted line are covered in a different block.
- ⑯
 - A hollow arrow indicates the block No. for the parts enclosed within a dotted line .
- ⑰
 - A solid arrow indicates the block No. the part in question is connected to.

When the parts were revised



| Ref. No. | Part No. | Description | Reqd. QTY | | | | | | Serial No. |
|----------|-----------------|--|-----------|-----------|---------|----------|---------|----------|--------------------------------|
| | | | BF 99D1 | BFP 9.9D1 | BF 10D1 | BFP 10D1 | BF 10B1 | BFP 10B1 | |
| 1 | 12166-ZW9-000 | STOPPER, ENGINE SIDE | 2 | 2 | 2 | 2 | 2 | 2 | |
| 2 | 12210-ZW9-000ZA | HEAD COMP., CYLINDER *NHS* DARK GRAY | 1 | 1 | 1 | 1 | 1 | 1 | |
| 3 | 12251-ZW9-003 | GASKET, CYLINDER HEAD | 1 | 1 | 1 | 1 | 1 | 1 | |
| 4 | 12310-ZW9-000 | COVER COMP., HEAD | 1 | 1 | 1 | 1 | 1 | 1 | |
| 5 | 12312-ZW9-000 | PACKING, HEAD COVER | 1 | 1 | 1 | 1 | 1 | 1 | |
| 6 | 15611-921-000 | CAP, OIL (NO GAUGE) | 1 | 1 | 1 | 1 | 1 | 1 | |
| 7 | 16617-ZW9-000 | HOLDER, CABLE (###) | 1 | 1 | 1 | 1 | 1 | 1 | SC, SG LHC, LHD LHC, LHD |
| | 16617-ZW9-010 | | 1 | 1 | 1 | 1 | 1 | 1 | |

The number has been used from the initial model without revision.

When shown at the left side, it is applicable to the models of No.1001801 and the subsequent numbers.

When shown at the right side, it is applicable to the models up to No.1001800.

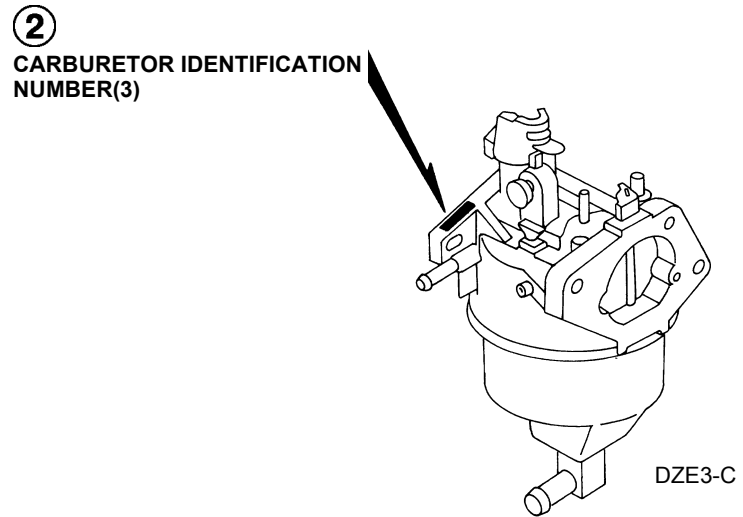
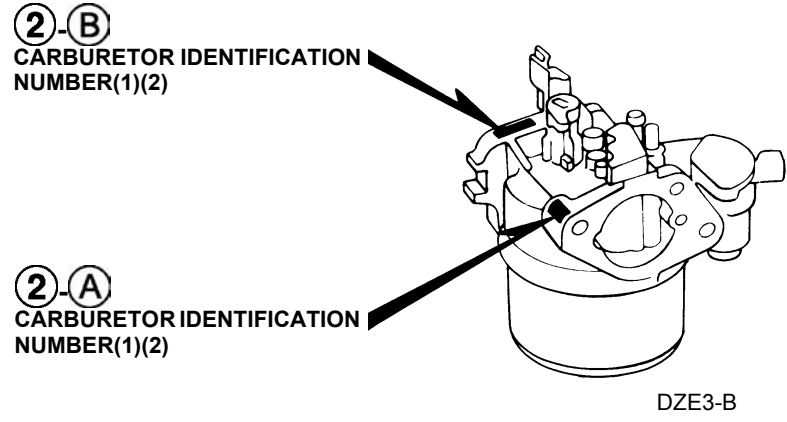
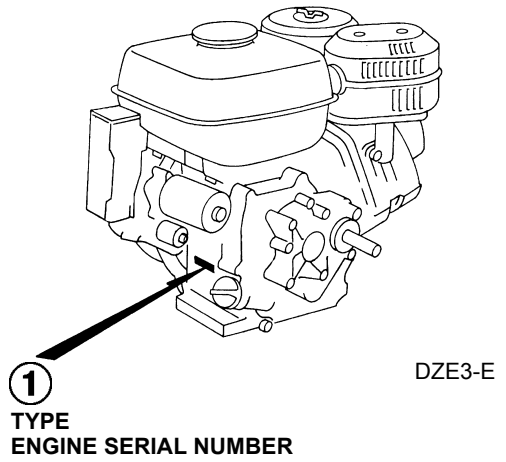
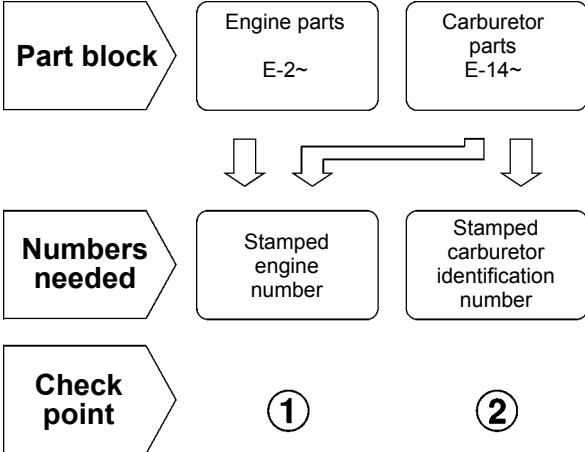
• The parts listed with "###" at the end of the parts name have limited supply period (parts not for sale).

Abbreviations used in the parts catalogue

• The following abbreviations are used in the parts name column.

- A Ampere
- A.C. Alternating current
- ASSY. Assembly
- AT. Automatic transmission
- C.D.I. Capacitive discharge ignition
- COMP. ... Complete
- D.C. Direct current
- EX. Exhaust
- G.F.C.I ... Ground fault circuit interruptor
- HEX. Hexagonal
- H.S.T. Hydrostatic transmission
- FR.Front
- IN.Inlet
- L (100L) .Link (100 Links)
- L.Left
- MMMillimeter
- MT.Manual Transmission
- P.T.O.Power take off
- R.Right
- RR.Rear
- STD.Standard
- T (22T) ...Tooth (22 Teeth)
- VVolt
- WWatt

How to check the part block and serial numbers



Models, parts catalogue codes and applicable serial numbers

- Models, parts catalogue codes and applicable serial Nos. given in this parts catalogue can be identified as follows.

| Model | Type | Parts catalogue type | Applicable engine serial No. | Applicable carburetor identification No. | Model | Type | Parts catalogue type | Applicable engine serial No. | Applicable carburetor identification No. |
|----------------|--------|--------------------------|------------------------------|--|----------------|--------------------------|------------------------|------------------------------|--|
| GX340K1 (1) | BJ | BJ | GC05- 2000001~3599999 | BE34B B / C | GX340K1 (1) | EDS6 | EDS6/A | GC05- 3600001~9999999 | BE82B B / C |
| | EDE2 | EDE2 | | BE82B A / B | | EDT | EDT | GC05- 2000001~3599999 | BE82B B |
| | | EDE2/A | GC05- 3600001~9999999 | BE82B B / C | | | EDT/A | GC05- 3600001~9999999 | BE82B B / C |
| | EDK | EDK | GC05- 3600001~ | BE34C C | | EDT1 | EDT1 | GC05- 2000001~3599999 | BE37B A / B / C BE82B B |
| | EDN | EDN | GC05- 2000001~ | BE37B A / B / C BE82B B | | | EDT1/A | GC05- 3600001~ | BE82B B BE82M A / B |
| | EDN2 | EDN2 | GC05- 2000001~3599999 | BE82B A / B | | EDT2 | EDT2 | GC05- 2000001~3599999 | BE82B B |
| | | EDN2/A | GC05- 3600001~9999999 | BE82B B / C | | EDT3 | EDT3 | GC05- 3600001~ | BE82M B |
| | EDN5 | EDN5 | GC05- 2000001~3599999 | BE34C B BE80D B / C | | EDT6 | EDT6 | GC05- 2000001~3599999 | BE82B B |
| | | EDN5/A | GC05- 3600001~ | BE80D B / C | | | EDT6/A | GC05- 3600001~9999999 | BE82B B / C |
| | EDS | EDS | GC05- 2000001~3599999 | BE37B A / B / C BE82B B | | ED6 | ED6 | GC05- 2000001~3599999 | BE37B A / B BE82B A / B |
| | EDS1 | EDS1 | | GC05- 3600001~ | | | BE82B B BE82M A / B | ED6/A | GC05- 3600001~9999999 |
| | | EDS2 | EDS2 | GC05- 2000001~3599999 | | BE82B B | ED7 | ED7 | GC05- 2000001~ |
| | EDS2/A | | GC05- 3600001~9999999 | BE82B B / C | | ED8 | ED8 | GC05- 2000001~3599999 | BE80D B / C |
| | EDS3 | EDS3 | GC05- 2000001~ | BE37B A / B / C BE82B B | | | ED8/A | GC05- 3600001~ | BE80D B / C |
| | EDS4 | EDS4 | GC05- 3600001~ | BE82M A / B | | ED9 | ED9 | GC05- 2000001~3599999 | BE34B B / C BE34C B |
| | EDS5 | EDS5 | GC05- 2000001~ | BE38A D / E | | | ED9/A | GC05- 3600001~ | BE34C B / C |
| EDS6 | EDS6 | GC05- 2000001~3599999 | BE82B B | EMT | EMT | GC05- 2000001~3599999 | BE82B B | | |
| | | | | | EMT/A | GC05- 3600001~ | BE82B B BE82M A / B | | |

| Model | Type | Parts catalogue type | Applicable engine serial No. | Applicable carburetor identification No. | Model | Type | Parts catalogue type | Applicable engine serial No. | Applicable carburetor identification No. | | |
|----------------|-------|----------------------|------------------------------|--|----------------|---------------------------------------|--------------------------|------------------------------|--|--------------------------|------------------------|
| GX340K1 (1) | EN | EN | GC05- 2000001~3599999 | BE34B B / C BE34C B | GX340K1 (1) | HA2 | HA2 | GC05- 2000001~3599999 | BE80B A / B | | |
| | ENT | ENT | | BE82B B | | | HA2/A | GC05- 3600001~9999999 | BE80B B | | |
| | | ENT/A | GC05- 3600001~9999999 | BE82B B / C | | HH | GC05- 2000001~3599999 | BE34B B / C | | | |
| | ENT2 | ENT2 | | | | HX | | | HX | | |
| | EN6 | EN6 | GC05- 2000001~3599999 | BE82B B | | HX2 | HX2 | GC05- 2000001~ | BE80B A / B | | |
| | | EN6/A | GC05- 3600001~9999999 | BE82B B / C | | HX26 | HX26 | GC05- 2000001~3599999 | | | |
| | ES | ES | GC05- 2000001~3599999 | BE34B B / C BE34C B | | | HX26/A | GC05- 3600001~9999999 | BE80B B | | |
| | | ES1 | | ES1 | | BE34B B / C BE34C B BE80D B / C | LH | LH | GC05- 2000001~3599999 | BE34B B / C BE80B B | |
| | ES1/A | | GC05- 3600001~ | BE80D B / C | | LH/A | | GC05- 3600001~ | BE80B B | | |
| | ES2 | ES2 | GC05- 2000001~3599999 | BE37B A / B / C BE82B B | | LHB1 | LHB1 | GC05- 2000001~3599999 | BE34B B / C | | |
| | ES3 | ES3 | | | | GC05- 3600001~ | BE82M A / B | LHB3 | LHB3 | GC05- 3600001~ | BE34B B / C BE80B B |
| | | ES3/A | BE82B B | LHB3/A | | | | BE80B B | | | |
| | ES4 | ES4 | GC05- 2000001~3599999 | BE37B A / B / C BE82B B | | LHB5 | LHB5 | GC05- 2000001~3599999 | BE47A A / B | | |
| | | ES4/A | GC05- 3600001~ | BE82B B BE82M A / B | | LHC | LHC | | BE34B B / C BE80B B | | |
| | ET | ET | GC05- 2000001~3599999 | BE34B B / C BE34C B | | LHE | LHE | GC05- 3600001~ | BE80B B | | |
| | ETS | ETS | | | | LHE/A | BE80B B | | | | |
| | ETX | ETX | | | | BE34B B / C | BE80A A / B | LHQ4 | LHQ4 | GC05- 2000001~3599999 | BE34B B / C BE80B B |
| | | ETX/A | | | | | | | GC05- 3600001~9999999 | BE80B B | |
| | HA | HA | | | | GC05- 2000001~ | BE34B C | LHW | LHW | GC05- 2000001~ | BE34B C |
| | HAQ | HAQ | | | | | | LJ | LJ | GC05- 2000001~3599999 | BE34B B / C BE80B B |

1

| Model | Type | Parts catalogue type | Applicable engine serial No. | Applicable carburetor identification No. | Model | Type | Parts catalogue type | Applicable engine serial No. | Applicable carburetor identification No. |
|----------------|------|----------------------|------------------------------|--|----------------|---------------|----------------------|------------------------------|--|
| GX340K1 (1) | LJ | LJ/A | GC05-3600001~ | BE80B B | GX340K1 (1) | LXE2 | LXE2/A | GC05-3600001~9999999 | BE80B B |
| | LJG | LJG | GC05-2000001~3599999 | BE34B B / C BE80B B | | LXE4 | LXE4 | GC05-2000001~3599999 | BE34B B / C BE80B B |
| | | LJG/A | GC05-3600001~ | BE80B B | | | LXE4/A | GC05-3600001~9999999 | BE80B B |
| | LJS | LJS | GC05-2000001~3599999 | | | LXE6 | LXE6 | GC05-2000001~3599999 | BE80B A / B |
| | | LJS/A | GC05-3600001~ | | | | LXE8 | | BE34B C BE80B B |
| | LJS1 | LJS1 | GC05-3600001~ | | | LXE8 | LXE8/A | GC05-3600001~9999999 | BE80B B |
| | LKE | LKE | GC05-2000001~3599999 | BE34B B / C BE80B B | | | LXQ4 | LXQ4 | GC05-2000001~3599999 |
| | | LKE/A | GC05-3600001~9999999 | BE80B B | | LXQ4/A | | GC05-3600001~9999999 | BE80B B |
| | LP | LP | GC05-2000001~ | BE21C A / B | | LXU | LXU | GC05-2000001~3599999 | BE34B C BE80B B |
| | LSX | LSX | GC05-2000001~3599999 | BE34B C | | | LXU/A | GC05-3600001~9999999 | BE80B B |
| | LT | LT | | | | GC05-3600001~ | BE34B C / D | LXZ | GC05-2000001~3599999 |
| | | LT/A | BE80B B | LX2 | | | | LX2 | |
| | LWD | LWD | | | | | GC05-2000001~3599999 | BE80E A | LX2/A |
| | LWD1 | LWD1 | GC05-3600001~ | BE80E A | | LX26 | | | LX26 |
| | | LWD1/A | | | | | GC05-3600001~ | LX26/A | GC05-3600001~9999999 |
| | LX | LX | GC05-2000001~3599999 | BE34B B / C BE80B B | | PKT2 | PKT2 | GC05-2000001~3599999 | BE80B A / B |
| | | LX/A | GC05-3600001~ | BE80B B | | | PKT2/A | GC05-3600001~9999999 | BE80B B |
| | LXE | LXE | GC05-2000001~3599999 | BE34B B / C BE80B B | | PKT4 | PKT4 | GC05-2000001~3599999 | |
| | | LXE/A | GC05-3600001~ | BE80B B | | | PKT4/A | GC05-3600001~9999999 | |
| | LXE2 | LXE2 | GC05-2000001~3599999 | BE80B A / B | | PKX2 | PKX2 | | |

| Model | Type | Parts catalogue type | Applicable engine serial No. | Applicable carburetor identification No. | Model | Type | Parts catalogue type | Applicable engine serial No. | Applicable carburetor identification No. |
|----------------|------|----------------------|------------------------------|--|----------------|--------------------------|----------------------|------------------------------|--|
| GX340K1 (1) | PKX4 | PKX4 | GC05- 2000001~3599999 | BE34B C BE80B B | GX340K1 (1) | QAH2 | QAH2/A | GC05- 3600001~9999999 | BE80B B |
| | | PKX4/A | GC05- 3600001~9999999 | BE80B B | | QAP | QAP | GC05- 2000001~3599999 | BE34B B / C BE80B A / B |
| | PX | PX | GC05- 2000001~3599999 | BE34B B / C BE80B B | | QAPE | QAPE | | |
| | | PX/A | GC05- 3600001~ | BE80B B | | QAP2 | QAP2 | GC05- 3600001~9999999 | BE80B B |
| | PXA2 | PXA2 | GC05- 3600001~9999999 | | | QAQ | QAQ | | |
| | PXE8 | PXE8 | GC05- 2000001~3599999 | BE34B C | | QA2 | QA2 | GC05- 3600001~9999999 | BE80B B |
| | | PXE8/A | GC05- 3600001~9999999 | BE34B C / D | | | QA26 | | |
| | QA | QA | GC05- 2000001~3599999 | BE34B B / C | | QA26 | QA26/A | GC05- 3600001~9999999 | BE80B B |
| | QAB2 | QAB2 | GC05- 3600001~9999999 | BE80B B | | | QDW9 | QDW9 | GC05- 2000001~3599999 |
| | | QAB2/A | | | | GC05- 3600001~9999999 | QDW9/A | QDW9/A | GC05- 3600001~9999999 |
| | QAC2 | QAC2 | GC05- 2000001~3599999 | | | QE | QE | GC05- 2000001~3599999 | BE34B B / C BE80B B |
| | | QAC2/A | GC05- 3600001~9999999 | | | | QE/A | GC05- 3600001~9999999 | BE80B B |
| | QAE | QAE | GC05- 2000001~3599999 | BE34B B / C | | QH | QH | GC05- 2000001~3599999 | BE34B B / C BE80B B |
| | QAE2 | QAE2 | GC05- 3600001~9999999 | BE80B A / B | | | QH/A | GC05- 3600001~ | BE80B B |
| | | QAE2/A | | GC05- 3600001~9999999 | | BE80B B | QHB3 | QHB3 | GC05- 2000001~3599999 |
| | QAE6 | QAE6 | GC05- 2000001~3599999 | BE80B A / B | | QHB5 | | QHB5 | GC05- 3600001~ |
| | | QAE6/A | GC05- 3600001~9999999 | | | | QHC | QHC | GC05- 2000001~3599999 |
| | QAG | QAG | GC05- 2000001~3599999 | BE80B B | | | | | |
| | | QAG/A | GC05- 3600001~9999999 | | | | | | |
| | QAH2 | QAH2 | GC05- 2000001~3599999 | | | | | | |

| Model | Type | Parts catalogue type | Applicable engine serial No. | Applicable carburetor identification No. | Model | Type | Parts catalogue type | Applicable engine serial No. | Applicable carburetor identification No. |
|----------------|------|----------------------|------------------------------|--|----------------|------|----------------------|------------------------------|--|
| GX340K1 (1) | QHE | QHE | GC05- 2000001~3599999 | BE34B B / C BE80B B | GX340K1 (1) | QNE2 | QNE2 | GC05- 2000001~3599999 | BE80B A / B |
| | | QHE/A | GC05- 3600001~9999999 | BE80B B | | | QNE2/A | GC05- 3600001~9999999 | BE80B B |
| | QHP1 | QHP1 | GC05- 2000001~3599999 | BE34B C BE80B B | | QNE6 | QNE6 | GC05- 2000001~3599999 | BE80B A / B |
| | | QHP1/A | GC05- 3600001~ | BE80B B | | QNE9 | QNE9 | GC05- 2000001~3599999 | BE80A A / B |
| | QHQ4 | QHQ4 | GC05- 2000001~3599999 | BE34B B / C BE80B B | | QNE9 | QNE9/A | GC05- 3600001~9999999 | BE80A B |
| | | QHQ4/A | GC05- 3600001~9999999 | BE80B B | | QNR2 | QNR2 | GC05- 2000001~3599999 | BE80B A / B |
| | QH2 | QH2 | GC05- 2000001~3599999 | BE80B A / B | | QNR2 | QNR2/A | GC05- 3600001~9999999 | BE80B B |
| | QKA4 | QKA4 | GC05- 2000001~3599999 | BE34B C | | QNR6 | QNR6 | GC05- 2000001~3599999 | BE80B A / B |
| | | QKA4/A | GC05- 3600001~9999999 | BE34B C / D | | QNR6 | QNR6/A | GC05- 3600001~9999999 | BE80B B |
| | QL2 | QL2 | GC05- 2000001~3599999 | BE80B B | | QN18 | QN18 | GC05- 2000001~ | BE34B B / C BE80B B |
| | QME0 | QME0 | GC05- 2000001~3599999 | BE34B B / C BE80B B | | QP | QP | GC05- 2000001~3599999 | BE34B B / C |
| | | QME0/A | GC05- 3600001~9999999 | BE80B B | | QP | QP/A | GC05- 3600001~ | BE34B C / D |
| | QME8 | QME8 | GC05- 2000001~3599999 | BE34B C | | QPE2 | QPE2 | GC05- 2000001~ | BE80B A / B |
| | | QME8/A | GC05- 3600001~9999999 | BE34B C / D | | QT | QT | GC05- 2000001~3599999 | BE34B B / C |
| | QMH | QMH | GC05- 2000001~3599999 | BE34B C BE80B B | | QT | QT/A | GC05- 3600001~ | BE34B C / D |
| | | QMH/A | GC05- 3600001~ | BE80B B | | QTC2 | QTC2 | GC05- 2000001~3599999 | BE80B A / B |
| | QMT2 | QMT2 | GC05- 2000001~3599999 | BE80B A / B | | QTC2 | QTC2/A | GC05- 3600001~9999999 | BE80B B |
| | | QMT2/A | GC05- 3600001~9999999 | BE80B B | | QWH2 | QWH2 | GC05- 2000001~3599999 | BE80C B |
| | QMX2 | QMX2 | GC05- 2000001~3599999 | BE80B B | | QWH2 | QWH2/A | GC05- 3600001~9999999 | BE80C B |
| | QNE | QNE | GC05- 2000001~3599999 | BE34B B / C | | QX | QX | GC05- 2000001~3599999 | BE34B B / C BE80B B |

| Model | Type | Parts catalogue type | Applicable engine serial No. | Applicable carburetor identification No. |
|----------------|------|----------------------|------------------------------|--|
| GX340K1 (1) | QX | QX/A | GC05-3600001~ | BE80B B |
| | QXB | QXB | GC05-2000001~3599999 | BE34B B / C BE80D B / C BE80B B |
| | | QXB/A | GC05-3600001~9999999 | BE80B B |
| | QXB7 | QXB7 | GC05-2000001~3599999 | |
| | | QXB7/A | GC05-3600001~9999999 | |
| | QXC | QXC | GC05-2000001~3599999 | BE47A A / B BE80C B |
| | | QXC/A | GC05-3600001~ | BE80C B |
| | QXC4 | QXC4 | GC05-2000001~3599999 | BE47A A / B |
| | | QXC4/A | GC05-3600001~9999999 | BE47A B / C |
| | QXC6 | QXC6 | GC05-2000001~3599999 | BE80C A / B |
| | | QXC6/A | GC05-3600001~9999999 | BE80C B |
| | QXC9 | QXC9 | GC05-2000001~3599999 | BE80C A / B |
| | | QXC9/A | GC05-3600001~9999999 | BE80C B |
| | QXE | QXE | GC05-2000001~3599999 | BE34B B / C BE80B B |
| | | QXE/A | GC05-3600001~ | BE80B B |
| | QXEB | QXEB | GC05-2000001~3599999 | BE34B B / C |
| | QXE2 | QXE2 | GC05-2000001~ | BE80B A / B |
| | QXE4 | QXE4 | GC05-2000001~3599999 | BE34B B / C BE80B B |
| | | QXE4/A | GC05-3600001~9999999 | BE80B B |

| Model | Type | Parts catalogue type | Applicable engine serial No. | Applicable carburetor identification No. |
|----------------|------|----------------------|------------------------------|--|
| GX340K1 (1) | QXE6 | QXE6 | GC05-2000001~3599999 | BE80B A / B |
| | | QXE6/A | GC05-3600001~9999999 | BE80B B |
| | QXE8 | QXE8 | GC05-2000001~3599999 | BE34B C BE80B B |
| | | QXE8/A | GC05-3600001~9999999 | BE80B B |
| | QXQ4 | QXQ4 | GC05-2000001~3599999 | BE34B B / C BE80B B |
| | | QXQ4/A | GC05-3600001~9999999 | BE80B B |
| | QXU | QXU | GC05-2000001~3599999 | BE34B C BE80B B |
| | | QXU/A | GC05-3600001~9999999 | BE80B B |
| | QX2 | QX2 | GC05-2000001~3599999 | BE80B A / B |
| | SDE | SDE | GC05-2000001~ | BE34B B / C BE80B B |
| | SE | SE | GC05-2000001~3599999 | |
| | | | SE/A | GC05-3600001~9999999 |
| | SH | SH | GC05-2000001~3599999 | BE34B B / C BE80B B |
| | | SH/A | GC05-3600001~ | BE80B B |
| | SHB1 | SHB1 | GC05-2000001~3599999 | BE34B B / C BE80B B |
| | SHB3 | SHB3 | | |
| | | | SHB3/A | GC05-3600001~9999999 |
| | SHE | SHE | GC05-2000001~3599999 | BE34B B / C BE80B B |
| | SHEZ | SHEZ | | BE34B B / C |
| | SHQ4 | SHQ4 | | |
| | | SHQ4 | | |

1

| Model | Type | Parts catalogue type | Applicable engine serial No. | Applicable carburetor identification No. |
|----------------|-------|----------------------|------------------------------|--|
| GX340K1 (1) | SHQ4 | SHQ4/A | GC05-3600001~9999999 | BE80B B |
| | SHT | SHT | GC05-2000001~3599999 | BE47A A / B |
| | SJ | SJ | | BE34B B / C BE80B B |
| | | SJ/A | GC05-3600001~ | BE80B B |
| | SJG | SJG | GC05-2000001~3599999 | BE34B B / C BE80B B |
| | | SJG/A | GC05-3600001~ | BE80B B |
| | SKE | SKE | GC05-2000001~3599999 | BE34B C BE80B B |
| | | SKE/A | GC05-3600001~ | BE80B B |
| | SKZ | SKZ | GC05-2000001~3599999 | BE34B B / C BE80B B |
| | | SKZ/A | GC05-3600001~ | BE80B B |
| | SME0 | SME0 | GC05-2000001~3599999 | BE34B B / C BE80B B |
| | | SME0/A | GC05-3600001~9999999 | BE80B B |
| | SME2 | SME2 | GC05-2000001~3599999 | BE80B A / B |
| | SMX2 | SMX2 | | |
| | | | SMX2/A | GC05-3600001~9999999 |
| | STJ | STJ | GC05-2000001~3599999 | BE34B B / C |
| | | STJ/A | GC05-3600001~ | BE34B C / D |
| STP | STP | GC05-2000001~3599999 | BE34B B / C BE80B B | |
| | STP/A | GC05-3600001~ | BE80B B | |
| STQ | STQ | GC05-2000001~3599999 | BE34B B / C BE80B B | |

| Model | Type | Parts catalogue type | Applicable engine serial No. | Applicable carburetor identification No. |
|----------------|------|----------------------|------------------------------|--|
| GX340K1 (1) | STQ | STQ/A | GC05-3600001~ | BE80B B |
| | STR | STR | GC05-2000001~3599999 | BE34B C BE80B B |
| | | STR/A | GC05-3600001~ | BE80B B |
| | SWX | SWX | GC05-2000001~3599999 | BE34B B / C |
| | | SWX/A | GC05-3600001~9999999 | BE34B C / D |
| | SX | SX | GC05-2000001~3599999 | BE34B B / C BE80B B |
| | | SX/A | GC05-3600001~ | BE80B B |
| | SXB | SXB | GC05-2000001~3599999 | BE34B B / C BE80D B / C BE80B B |
| | | SXB/A | GC05-3600001~9999999 | BE80B B |
| | SXB7 | SXB7 | GC05-2000001~3599999 | |
| | | SXB7/A | GC05-3600001~9999999 | |
| | SXE | SXE | GC05-2000001~3599999 | BE34B B / C BE80B B |
| | | SXE/A | GC05-3600001~ | BE80B B |
| | SXEB | SXEB | GC05-2000001~3599999 | BE34B B / C BE80D B / C BE80B B |
| | | SXEB/A | GC05-3600001~9999999 | BE80B B |
| | SXE2 | SXE2 | GC05-2000001~3599999 | BE80B A / B |
| | SXE4 | SXE4 | | BE34B B / C BE80B B |
| | | SXE4/A | GC05-3600001~9999999 | BE80B B |
| SXE8 | SXE8 | GC05-2000001~3599999 | BE34B C BE80B B | |

| Model | Type | Parts catalogue type | Applicable engine serial No. | Applicable carburetor identification No. | Model | Type | Parts catalogue type | Applicable engine serial No. | Applicable carburetor identification No. | |
|----------------|------|----------------------|------------------------------|--|----------------|----------------------------|----------------------|------------------------------|--|---------------------------------------|
| GX340K1 (1) | SXE8 | SXE8/A | GC05-3600001~9999999 | BE80B B | GX340K1 (1) | VDE2 | VDE2/A | GC05-3600001~9999999 | BE80D B / C | |
| | SXP | SXP | GC05-2000001~3599999 | BE34B B / C | | VD16 | VD16 | GC05-2000001~3599999 | BE34B B / C BE34C B BE80B B | |
| | SXQ4 | SXQ4 | | BE34B B / C BE80B B | | VE | VE | | BE34B B / C BE34C B | |
| | | SXQ4/A | GC05-3600001~9999999 | BE80B B | | VEB6 | VEB6 | | BE34B B / C BE34C B BE80B B | |
| | SXU | SXU | GC05-2000001~3599999 | BE34B C BE80B B | | VH | VH | | GC05-2000001~ | BE34B B / C BE34C B BE80D B / C |
| | | SXU/A | GC05-3600001~9999999 | BE80B B | | VHE | VHE | GC05-2000001~3599999 | BE34B B / C BE34C B | |
| | VA | VA | GC05-2000001~3599999 | BE34B B / C BE34C B | | VH12 | VH12 | GC05-2000001~3599999 | BE80B A / B BE80D B / C | |
| | VAA | VAA | | | | BE80B A / B BE80D B / C | VH12 | | VH12/A | GC05-3600001~9999999 |
| | VAAE | VAAE | | GC05-3600001~9999999 | | | BE80D B / C | VH22 | VH22 | GC05-2000001~3599999 |
| | VAD2 | VAD2 | | | | GC05-3600001~9999999 | BE80D B / C | VH22 | VH22/A | GC05-3600001~9999999 |
| | | VAD2/A | BE80D B / C | VMQ | | | VMQ | GC05-3600001~ | BE82B B BE82M A / B | |
| | VAH1 | VAH1 | GC05-2000001~3599999 | BE34B B / C | | VMT | VMT | GC05-2000001~3599999 | BE37B C BE82B B | |
| | VAH2 | VAH2 | | | | BE80B A / B BE80D B / C | VMT | VMT/A | GC05-3600001~ | BE82B B BE82M A / B |
| | VAW1 | VAW1 | | GC05-3600001~9999999 | | | BE80D B / C | VMX | VMX | GC05-2000001~3599999 |
| | VA2 | VA2 | | | | GC05-3600001~9999999 | BE80D B / C | VNG | VNG | |
| | | VA2/A | BE80D B / C | VNG1 | | | VNG1 | | | |
| | VC2 | VC2 | GC05-2000001~3599999 | BE82B B | | VNG2 | VNG2 | GC05-3600001~9999999 | BE80D B / C | |
| | | VC2/A | GC05-3600001~9999999 | BE82E A | | VSH7 | VSH7 | | | |
| | VDE | VDE | GC05-2000001~3599999 | BE34B B / C | | | | | | |
| | VDE2 | VDE2 | | BE80B A / B BE80D B / C | | | | | | |

1

| Model | Type | Parts catalogue type | Applicable engine serial No. | Applicable carburetor identification No. |
|----------------|------|----------------------|------------------------------|--|
| GX340K1 (1) | VS2 | VS2 | GC05- 3600001~ | BE82M B |
| | VS3 | VS3 | | BE82B B BE82M A / B |
| | VS4 | VS4 | | BE82M A / B |
| | VS5 | VS5 | | BE82B B BE82M A / B |
| | VS6 | VS6 | | BE82M A / B |
| | VS7 | VS7 | | BE82M B |
| | VTE2 | VTE2 | GC05- 2000001~3599999 | BE82B B |
| | VWA | VWA | | BE34B B / C |
| | VWA2 | VWA2 | | BE80B A / B BE80D B / C |
| | VWC | VWC | GC05- 3600001~9999999 | BE82E A |
| | VWC2 | VWC2 | GC05- 2000001~3599999 | BE80B A / B BE80D B / C |
| | | VWC2/A | GC05- 3600001~9999999 | BE80B B |
| | VWE | VWE | GC05- 3600001~9999999 | BE82B B / C |
| | VWE2 | VWE2 | GC05- 2000001~3599999 | BE80B A / B BE80D B / C |
| | | VWE2/A | GC05- 3600001~9999999 | BE80D B / C |
| | VWS2 | VWS2 | GC05- 2000001~3599999 | BE80B A / B BE80D B / C |
| | | VWS2/A | GC05- 3600001~9999999 | BE80B B |
| | VW12 | VW12 | GC05- 2000001~3599999 | BE80B A / B BE80D B / C |
| | | VW12/A | GC05- 3600001~9999999 | BE80D B / C |
| | VX | VX | GC05- 2000001~3599999 | BE34B B / C BE34C B BE80D B / C |

| Model | Type | Parts catalogue type | Applicable engine serial No. | Applicable carburetor identification No. |
|----------------|------|----------------------|------------------------------|--|
| GX340K1 (1) | VX | VX/A | GC05- 3600001~ | BE80D B / C |
| | VXA | VXA | GC05- 2000001~3599999 | BE34B B / C BE34C B |
| | VXB | VXB | | BE34B B / C BE34C B BE80D B / C |
| | | VXB/A | GC05- 3600001~9999999 | BE80D B / C |
| | VXB2 | VXB2 | GC05- 2000001~3599999 | BE80B A / B BE80D B / C |
| | VXB7 | VXB7 | GC05- 3600001~9999999 | BE80D B / C |
| | | VXB7/A | | |
| | VXE | VXE | GC05- 2000001~3599999 | BE34B B / C BE34C B BE80D B / C |
| | | VXE/A | GC05- 3600001~ | BE80D B / C |
| | VXEB | VXEB | GC05- 2000001~3599999 | BE34B B / C BE34C B BE80D B / C |
| | | VXEB/A | GC05- 3600001~ | BE80D B / C |
| | VXE2 | VXE2 | GC05- 2000001~3599999 | BE80B A / B BE80D B / C |
| | | VXE2/A | GC05- 3600001~9999999 | BE80D B / C |
| | VXE4 | VXE4 | GC05- 2000001~3599999 | BE34B B / C BE34C B BE80D B / C |
| | VXE6 | VXE6 | | BE80B A / B BE80D B / C |
| | VXE7 | VXE7 | GC05- 3600001~9999999 | BE80D B / C |
| | | VXE7/A | | |
| | VXE8 | VXE8 | GC05- 2000001~3599999 | BE34C B BE80D B / C |

| Model | Type | Parts catalogue type | Applicable engine serial No. | Applicable carburetor identification No. | Model | Type | Parts catalogue type | Applicable engine serial No. | Applicable carburetor identification No. |
|----------------|------|----------------------|------------------------------|--|----------------|-----------------------------|--------------------------|---|--|
| GX340K1 (1) | VXE8 | VXE8/A | GC05- 3600001~9999999 | BE80D B / C | GX340K1 (1) | ZK1 | ZK1 | GC05- 2000001~3599999 | BE30D A / D / E |
| | VXG | VXG | GC05- 2000001~3599999 | BE34B B / C BE34C B | | | ZK1/A | GC05- 3600001~9999999 | BE30D E |
| | VXK | VXK | GC05- 3600001~ | BE80D B / C | GX340K1 (2) | L1 | L1 | GC05- 2000001~3599999 | BE34A A / B BE34B B / C |
| | VXQ4 | VXQ4 | GC05- 2000001~3599999 | BE34B B / C BE34C B BE80D B / C | | | L1/A | GC05- 3600001~ | BE34A B BE34B C / D |
| | | VXQ4/A | GC05- 3600001~9999999 | BE80D B / C | | P1 | P1 | GC05- 2000001~3599999 | BE34A A / B BE34B B / C |
| | VXU | VXU | GC05- 2000001~3599999 | BE34B B / C BE34C B BE80D B / C | | | P1/A | GC05- 3600001~ | BE34A B BE34B C / D |
| | | VXU/A | GC05- 3600001~ | BE80D B / C | Q1 | Q1 | GC05- 2000001~3599999 | BE34A A / B BE34B B / C BE47A A / B | |
| | VXU1 | VXU1 | GC05- 2000001~3599999 | BE34B B / C BE34C B BE80D B / C | | Q1/A | GC05- 3600001~ | BE34A B BE34B C / D BE47A B / C | |
| | | VXU1/A | GC05- 3600001~ | BE80D B / C | S1 | S1 | GC05- 2000001~3599999 | BE34A A / B BE34B B / C BE47A A / B | |
| | VX16 | VX16 | GC05- 2000001~3599999 | BE34B B / C BE34C B BE80B B | | S1/A | GC05- 3600001~ | BE34A B BE34B C / D BE47A B / C | |
| | | VX16/A | GC05- 3600001~9999999 | BE80B B | V1 | V1 | GC05- 2000001~3599999 | BE34A A / B BE34B B / C | |
| | VX8 | VX8 | GC05- 2000001~3599999 | BE34C B BE80D B / C | | GX340K1 (3) (Propane) | VXP | VXP | GDAE- 1000001~1000052 |
| | | VX8/A | GC05- 3600001~9999999 | BE80D B / C | VXQP | VXQP | | | |
| | YJ | YJ | GC05- 2000001~3599999 | BE34B B / C | | | | | |

* Of carburetor identification numbers, only the portions underlined in the example below are used for registration.

GX340K1 (1)(2) BE 34B B KC ㄱ

A B

GX340K1 (3) BE L4A A KC ㄱ

Features of each type

• See the following table for the features of each type. (Items in brackets are optional)

| Model | | GX340K1 | | | | | | | | | | | | | |
|-------------------|------------|------------------------|------|-----|-----|------|------|-----|------|------|------|------|------|------|-----|
| | | Standard equipment (1) | | | | | | | | | | | | | |
| Specifications | Type | BJ | EDE2 | EDK | EDN | EDN2 | EDN5 | EDS | EDS1 | EDS2 | EDS3 | EDS4 | EDS5 | EDS6 | EDT |
| | Crankshaft | 25mmØ Straight | | | | | | | | | | | | | |
| 25.4 mmØ Straight | | | | | | | | | | | | | | | |
| 30 mmØ Straight | | | | | | | | | | | | | | | |
| 20 mmØ Spline | | | | | | | | | | | | | | | |
| 25.4 mmØ Spline | | | | | | | | | | | | | | | |
| 30 mmØ Spline | | ● | | | | | | | | | | | | | |
| 3/16" Tapered | | | | | | | | | | | | | | | |
| 1/5" Tapered | | | ● | ● | ● | ● | ● | ● | ● | ● | ● | ● | ● | ● | ● |
| Air cleaner | Silent | ● | ● | ● | ● | ● | ● | ● | ● | ● | ● | ● | ● | ● | ● |
| | Oil bath | | | | | | | | | | | | | | |
| | Cyclone | | | | | | | | | | | | | | |
| | Standard | | | | | | | | | | | | | | |
| Muffler | Standard | ● | ● | ● | ● | ● | ● | ● | ● | ● | ● | ● | ● | ● | ● |
| | Silent | | | | | | | | | | | | | | |
| Spark arrester | | ● | ● | ● | ● | | | ● | ● | ● | ● | ● | | ● | ● |
| Oil alert | | ● | ● | ● | ● | ● | ● | ● | ● | ● | ● | ● | ● | ● | ● |
| Starter motor | | ● | | | | | | ● | ● | ● | ● | ● | ● | ● | ● |
| Reduction | | ● | | | | | | | | | | | | | |

| Model | | GX340K1 | | | | | | | | | | | | | | |
|-------------------|----------|------------------------|----------------|------|------|------|-----|-----|-----|-----|-----|----|-----|------|-----|----|
| | | Standard equipment (1) | | | | | | | | | | | | | | |
| Specifications | | Type | EDT1 | EDT2 | EDT3 | EDT6 | ED6 | ED7 | ED8 | ED9 | EMT | EN | ENT | ENT2 | EN6 | ES |
| | | Crankshaft | 25mmØ Straight | | | | | | | | | | | | | |
| 25.4 mmØ Straight | | | | | | | | | | | | | | | | |
| 30 mmØ Straight | | | | | | | | | | | | | | | | |
| 20 mmØ Spline | | | | | | | | | | | | | | | | |
| 25.4 mmØ Spline | | | | | | | | | | | | | | | | |
| 30 mmØ Spline | | | | | | | | | | | | | | | | |
| 3/16" Tapered | | | | | | | | | | | | | | | | |
| 1/5" Tapered | ● | | ● | ● | ● | ● | ● | ● | ● | ● | ● | ● | ● | ● | ● | ● |
| Air cleaner | Silent | ● | ● | ● | ● | ● | ● | ● | ● | ● | ● | ● | ● | ● | ● | ● |
| | Oil bath | | | | | | | | | | | | | | | |
| | Cyclone | | | | | | | | | | | | | | | |
| | Standard | | | | | | | | | | | | | | | |
| Muffler | Standard | ● | ● | | ● | ● | ● | ● | ● | ● | ● | ● | ● | ● | ● | ● |
| | Silent | | | | | | | | | | | | | | | |
| Spark arrester | | ● | ● | ● | ● | ● | | | | ● | | | ● | ● | ● | |
| Oil alert | | ● | ● | ● | ● | ● | | | | ● | ● | | ● | ● | ● | |
| Starter motor | | | | | | | | ● | | | | | ● | ● | | |
| Reduction | | | | | | | | | | | | | | | | |

| Specifications | | Model | GX340K1 | | | | | | | | | | | | | |
|----------------|-------------------|-------|------------------------|-----|-----|-----|----|-----|-----|----|-----|-----|-----|-----|-----|------|
| | | Type | Standard equipment (1) | | | | | | | | | | | | | |
| | | | ES1 | ES2 | ES3 | ES4 | ET | ETS | ETX | HA | HAQ | HA2 | HH | HX | HX2 | HX26 |
| Crankshaft | 25mmØ Straight | | | | | | | | | | | | | | | |
| | 25.4 mmØ Straight | | | | | | | | | | | | | | | |
| | 30 mmØ Straight | | | | | | | | | | | | | | | |
| | 20 mmØ Spline | | | | | | | | | ● | ● | ● | ● | ● | ● | ● |
| | 25.4 mmØ Spline | | | | | | | | | | | | | | | |
| | 30 mmØ Spline | | | | | | | | | | | | | | | |
| | 3/16" Tapered | | | | | | | | | | | | | | | |
| | 1/5" Tapered | ● | ● | ● | ● | ● | ● | ● | ● | | | | | | | |
| Air cleaner | Silent | ● | ● | ● | ● | ● | ● | ● | ● | ● | ● | ● | ● | ● | ● | ● |
| | Oil bath | | | | | | | | | | | | | | | |
| | Cyclone | | | | | | | | | | | | | | | |
| | Standard | | | | | | | | | | | | | | | |
| Muffler | Standard | ● | | ● | ● | ● | ● | ● | ● | ● | ● | ● | ● | ● | ● | ● |
| | Silent | | | | | | | | | | | | | | | |
| Spark arrester | | ● | | ● | ● | | | | | ● | ● | ● | (●) | (●) | (●) | (●) |
| Oil alert | | ● | ● | ● | ● | | | ● | | ● | | ● | | ● | ● | ● |
| Starter motor | | | | | ● | | | ● | | | | | | | | |
| Reduction | | | | | | | | | | ● | ● | ● | ● | ● | ● | ● |

| Specifications | | Model | GX340K1 | | | | | | | | | | | | |
|----------------|-------------------|-------|------------------------|------|------|-----|-----|------|-----|----|-----|-----|------|-----|----|
| | | Type | Standard equipment (1) | | | | | | | | | | | | |
| | | LH | LHB1 | LHB3 | LHB5 | LHC | LHE | LHQ4 | LHW | LJ | LJG | LJS | LJS1 | LKE | LP |
| Crankshaft | 25mmØ Straight | | | | | | | | | | | | | | |
| | 25.4 mmØ Straight | | | | | | | | | | | | | | |
| | 30 mmØ Straight | | | | | | | | | | | | | | |
| | 20 mmØ Spline | | | | | | | | | | | | | | |
| | 25.4 mmØ Spline | | | | | | | | | | | | | | |
| | 30 mmØ Spline | ● | ● | ● | ● | ● | ● | ● | ● | ● | ● | ● | ● | ● | ● |
| | 3/16" Tapered | | | | | | | | | | | | | | |
| | 1/5" Tapered | | | | | | | | | | | | | | |
| Air cleaner | Silent | ● | ● | ● | ● | | ● | ● | | ● | ● | | ● | ● | |
| | Oil bath | | | | | | | | ● | | | ● | | | |
| | Cyclone | | | | | ● | | | | | | | | | |
| | Standard | | | | | | | | | | | | | | |
| Muffler | Standard | ● | ● | ● | ● | ● | ● | ● | | ● | ● | ● | ● | ● | ● |
| | Silent | | | | | | | | ● | | | | | | |
| Spark arrester | | | | | | | | | | | | ● | ● | | |
| Oil alert | | | | | | | | | | | | | | ● | |
| Starter motor | | | | | | | ● | | | | | | | ● | |
| Reduction | | ● | ● | ● | ● | ● | ● | ● | ● | ● | ● | ● | ● | ● | ● |

| Model | | GX340K1 | | | | | | | | | | | | | |
|-------------------|------------|------------------------|----|-----|------|-----|-----|------|------|------|------|------|-----|-----|-----|
| | | Standard equipment (1) | | | | | | | | | | | | | |
| Specifications | Type | LSX | LT | LWD | LWD1 | LX | LXE | LXE2 | LXE4 | LXE6 | LXE8 | LXQ4 | LXU | LXZ | LX2 |
| | Crankshaft | 25mmØ Straight | | | | | | | | | | | | | |
| 25.4 mmØ Straight | | | | | | | | | | | | | | | |
| 30 mmØ Straight | | | | | | | | | | | | | | | |
| 20 mmØ Spline | | | | | | | | | | | | | | | |
| 25.4 mmØ Spline | | | | | | | | | | | | | | | |
| 30 mmØ Spline | | ● | ● | ● | ● | ● | ● | ● | ● | ● | ● | ● | ● | ● | ● |
| 3/16" Tapered | | | | | | | | | | | | | | | |
| 1/5" Tapered | | | | | | | | | | | | | | | |
| Air cleaner | Silent | ● | | ● | | ● | ● | ● | ● | ● | ● | ● | ● | ● | ● |
| | Oil bath | | ● | | | | | | | | | | | | |
| | Cyclone | | | | | | | | | | | | | | |
| | Standard | | | | ● | | | | | | | | | | |
| Muffler | Standard | ● | ● | ● | ● | ● | ● | ● | ● | ● | ● | ● | ● | ● | ● |
| | Silent | | | | | | | | | | | | | | |
| Spark arrester | | (●) | | | | (●) | | | | | | (●) | (●) | | (●) |
| Oil alert | | ● | | | | ● | ● | ● | ● | ● | ● | ● | ● | ● | ● |
| Starter motor | | | | ● | ● | | ● | ● | ● | ● | ● | | | | |
| Reduction | | ● | ● | ● | ● | ● | ● | ● | ● | ● | ● | ● | ● | ● | ● |

| Specifications | | GX340K1 | | | | | | | | | | | | | |
|----------------|-------------------|------------------------|------|------|------|------|----|------|------|----|------|------|-----|------|------|
| | | Standard equipment (1) | | | | | | | | | | | | | |
| | | Model | Type | | | | | | | | | | | | |
| | | LX26 | PKT2 | PKT4 | PKX2 | PKX4 | PX | PXA2 | PXE8 | QA | QAB2 | QAC2 | QAE | QAE2 | QAE6 |
| Crankshaft | 25mmØ Straight | | | | | | | | | | | | | | |
| | 25.4 mmØ Straight | | | | | | | | | ● | ● | ● | ● | ● | ● |
| | 30 mmØ Straight | | | | | | | | | | | | | | |
| | 20 mmØ Spline | | | | | | | | | | | | | | |
| | 25.4 mmØ Spline | | ● | ● | ● | ● | ● | ● | ● | | | | | | |
| | 30 mmØ Spline | ● | | | | | | | | | | | | | |
| | 3/16" Tapered | | | | | | | | | | | | | | |
| | 1/5" Tapered | | | | | | | | | | | | | | |
| Air cleaner | Silent | ● | ● | ● | ● | ● | ● | ● | ● | ● | ● | ● | ● | ● | ● |
| | Oil bath | | | | | | | | | | | | | | |
| | Cyclone | | | | | | | | | | | | | | |
| | Standard | | | | | | | | | | | | | | |
| Muffler | Standard | ● | ● | ● | ● | ● | ● | ● | ● | ● | ● | ● | ● | ● | ● |
| | Silent | | | | | | | | | | | | | | |
| Spark arrester | | (●) | | | | | | (●) | | ● | ● | ● | ● | ● | ● |
| Oil alert | | ● | ● | ● | ● | ● | ● | ● | ● | ● | ● | ● | ● | ● | ● |
| Starter motor | | | | | | | | | ● | | | | ● | ● | ● |
| Reduction | | ● | | | | | | | | | | | | | |

| Specifications | | GX340K1 | | | | | | | | | | | | | |
|----------------|-------------------|------------------------|------|-----|------|------|-----|-----|------|------|----|----|------|------|-----|
| | | Standard equipment (1) | | | | | | | | | | | | | |
| Model | | QAG | QAH2 | QAP | QAPE | QAP2 | QAQ | QA2 | QA26 | QDW9 | QE | QH | QHB3 | QHB5 | QHC |
| Type | | | | | | | | | | | | | | | |
| Crankshaft | 25mmØ Straight | | | | | | | | | | | | | | |
| | 25.4 mmØ Straight | ● | ● | ● | ● | ● | ● | ● | ● | ● | ● | ● | ● | ● | ● |
| | 30 mmØ Straight | | | | | | | | | | | | | | |
| | 20 mmØ Spline | | | | | | | | | | | | | | |
| | 25.4 mmØ Spline | | | | | | | | | | | | | | |
| | 30 mmØ Spline | | | | | | | | | | | | | | |
| | 3/16" Tapered | | | | | | | | | | | | | | |
| | 1/5" Tapered | | | | | | | | | | | | | | |
| Air cleaner | Silent | ● | ● | ● | ● | ● | ● | ● | ● | | ● | ● | ● | ● | |
| | Oil bath | | | | | | | | | | | | | | |
| | Cyclone | | | | | | | | | ● | | | | | ● |
| | Standard | | | | | | | | | | | | | | |
| Muffler | Standard | ● | ● | ● | ● | ● | ● | ● | ● | ● | ● | ● | ● | ● | ● |
| | Silent | | | | | | | | | | | | | | |
| Spark arrester | | ● | ● | ● | (●) | ● | ● | ● | ● | ● | ● | | | | |
| Oil alert | | ● | ● | ● | ● | ● | | ● | ● | ● | | | | | |
| Starter motor | | | | | ● | | | | | | | | | | |
| Reduction | | | | | | | | | | | | | | | |

| Specifications | | GX340K1 | | | | | | | | | | | | | |
|----------------|-------------------|------------------------|------|------|-----|------|-----|------|------|-----|------|------|-----|------|------|
| | | Standard equipment (1) | | | | | | | | | | | | | |
| Model | | QHE | QHP1 | QHQ4 | QH2 | QKA4 | QL2 | QME0 | QME8 | QMH | QMT2 | QMX2 | QNE | QNE2 | QNE6 |
| Type | | | | | | | | | | | | | | | |
| Crankshaft | 25mmØ Straight | | | | | | | | | | | | | | |
| | 25.4 mmØ Straight | ● | ● | ● | ● | ● | ● | ● | ● | ● | ● | ● | ● | ● | ● |
| | 30 mmØ Straight | | | | | | | | | | | | | | |
| | 20 mmØ Spline | | | | | | | | | | | | | | |
| | 25.4 mmØ Spline | | | | | | | | | | | | | | |
| | 30 mmØ Spline | | | | | | | | | | | | | | |
| | 3/16" Tapered | | | | | | | | | | | | | | |
| | 1/5" Tapered | | | | | | | | | | | | | | |
| Air cleaner | Silent | ● | ● | ● | ● | ● | ● | ● | ● | ● | ● | ● | ● | ● | ● |
| | Oil bath | | | | | | | | | | | | | | |
| | Cyclone | | | | | | | | | | | | | | |
| | Standard | | | | | | | | | | | | | | |
| Muffler | Standard | ● | ● | ● | ● | ● | ● | ● | ● | ● | ● | ● | ● | ● | ● |
| | Silent | | | | | | | | | | | | | | |
| Spark arrester | | | | | | ● | (●) | | | | | ● | (●) | (●) | (●) |
| Oil alert | | | | | | ● | ● | ● | ● | | ● | ● | ● | ● | |
| Starter motor | | ● | | | | | ● | ● | ● | | | | ● | ● | ● |
| Reduction | | | | | | | | | | | | | | | |

| Specifications | | GX340K1 | | | | | | | | | | | | | |
|----------------|-------------------|------------------------|------|------|------|----|------|----|------|------|----|-----|------|-----|------|
| | | Standard equipment (1) | | | | | | | | | | | | | |
| Model | Type | QNE9 | QNR2 | QNR6 | QN18 | QP | QPE2 | QT | QTC2 | QWH2 | QX | QXB | QXB7 | QXC | QXC4 |
| Crankshaft | 25mmØ Straight | | | | | | | | | | | | | | |
| | 25.4 mmØ Straight | ● | ● | ● | ● | ● | ● | ● | ● | ● | ● | ● | ● | ● | ● |
| | 30 mmØ Straight | | | | | | | | | | | | | | |
| | 20 mmØ Spline | | | | | | | | | | | | | | |
| | 25.4 mmØ Spline | | | | | | | | | | | | | | |
| | 30 mmØ Spline | | | | | | | | | | | | | | |
| | 3/16" Tapered | | | | | | | | | | | | | | |
| | 1/5" Tapered | | | | | | | | | | | | | | |
| Air cleaner | Silent | ● | ● | ● | ● | | ● | | ● | | ● | ● | ● | | |
| | Oil bath | | | | | ● | | ● | | | | | | | |
| | Cyclone | | | | | | | | | ● | | | | ● | ● |
| | Standard | | | | | | | | | | | | | | |
| Muffler | Standard | ● | ● | ● | ● | ● | ● | ● | ● | ● | ● | | | ● | ● |
| | Silent | | | | | | | | | | | ● | ● | | |
| Spark arrester | | (●) | (●) | (●) | (●) | | (●) | | ● | (●) | | ● | ● | (●) | (●) |
| Oil alert | | ● | ● | ● | ● | | ● | | ● | ● | ● | ● | ● | ● | ● |
| Starter motor | | ● | ● | ● | ● | | ● | | | | | | | | |
| Reduction | | | | | | | | | | | | | | | |

| Specifications | | GX340K1 | | | | | | | | | | | | | |
|----------------|-------------------|------------------------|------|-----|------|------|------|------|------|------|-----|-----|-----|----|----|
| | | Standard equipment (1) | | | | | | | | | | | | | |
| Model | | QXC6 | QXC9 | QXE | QXEB | QXE2 | QXE4 | QXE6 | QXE8 | QXQ4 | QXU | QX2 | SDE | SE | SH |
| Type | | | | | | | | | | | | | | | |
| Crankshaft | 25mmØ Straight | | | | | | | | | | | | ● | ● | ● |
| | 25.4 mmØ Straight | ● | ● | ● | ● | ● | ● | ● | ● | ● | ● | ● | | | |
| | 30 mmØ Straight | | | | | | | | | | | | | | |
| | 20 mmØ Spline | | | | | | | | | | | | | | |
| | 25.4 mmØ Spline | | | | | | | | | | | | | | |
| | 30 mmØ Spline | | | | | | | | | | | | | | |
| | 3/16" Tapered | | | | | | | | | | | | | | |
| | 1/5" Tapered | | | | | | | | | | | | | | |
| Air cleaner | Silent | | | ● | ● | ● | ● | ● | ● | ● | ● | ● | ● | ● | ● |
| | Oil bath | | | | | | | | | | | | | | |
| | Cyclone | ● | ● | | | | | | | | | | | | |
| | Standard | | | | | | | | | | | | | | |
| Muffler | Standard | ● | ● | ● | | ● | ● | ● | ● | ● | ● | ● | ● | ● | ● |
| | Silent | | | | ● | | | | | | | | | | |
| Spark arrester | | (●) | (●) | | ● | | | | | | | | | ● | |
| Oil alert | | ● | ● | ● | ● | ● | ● | ● | ● | ● | ● | | | | |
| Starter motor | | | | ● | ● | ● | ● | ● | ● | | | | ● | | |
| Reduction | | | | | | | | | | | | | | | |

| Specifications | | GX340K1 | | | | | | | | | | | | | |
|----------------|-------------------|------------------------|------|-----|------|------|-----|----|-----|-----|-----|------|------|------|-----|
| | | Standard equipment (1) | | | | | | | | | | | | | |
| Model | | SHB1 | SHB3 | SHE | SHEZ | SHQ4 | SHT | SJ | SJG | SKE | SKZ | SME0 | SME2 | SMX2 | STJ |
| Type | | | | | | | | | | | | | | | |
| Crankshaft | 25mmØ Straight | ● | ● | ● | ● | ● | ● | ● | ● | ● | ● | ● | ● | ● | ● |
| | 25.4 mmØ Straight | | | | | | | | | | | | | | |
| | 30 mmØ Straight | | | | | | | | | | | | | | |
| | 20 mmØ Spline | | | | | | | | | | | | | | |
| | 25.4 mmØ Spline | | | | | | | | | | | | | | |
| | 30 mmØ Spline | | | | | | | | | | | | | | |
| | 3/16" Tapered | | | | | | | | | | | | | | |
| | 1/5" Tapered | | | | | | | | | | | | | | |
| Air cleaner | Silent | ● | ● | ● | ● | ● | | ● | ● | ● | ● | ● | ● | ● | ● |
| | Oil bath | | | | | | | | | | | | | | |
| | Cyclone | | | | | | ● | | | | | | | | |
| | Standard | | | | | | | | | | | | | | |
| Muffler | Standard | ● | ● | ● | ● | ● | | ● | ● | ● | ● | ● | ● | ● | ● |
| | Silent | | | | | | ● | | | | | | | | |
| Spark arrester | | | | | | | ● | | | | | ● | ● | | |
| Oil alert | | | | | | | | | | | | ● | | ● | ● |
| Starter motor | | | | ● | ● | | | | | ● | | ● | ● | | ● |
| Reduction | | | | | | | | | | | | | | | |

| Specifications | | GX340K1 | | | | | | | | | | | | | |
|----------------|-------------------|------------------------|-----|-----|-----|----|-----|------|-----|------|------|------|------|-----|------|
| | | Standard equipment (1) | | | | | | | | | | | | | |
| Model | | STP | STQ | STR | SWX | SX | SXB | SXB7 | SXE | SXEB | SXE2 | SXE4 | SXE8 | SXP | SXQ4 |
| Type | | | | | | | | | | | | | | | |
| Crankshaft | 25mmØ Straight | ● | ● | ● | ● | ● | ● | ● | ● | ● | ● | ● | ● | ● | ● |
| | 25.4 mmØ Straight | | | | | | | | | | | | | | |
| | 30 mmØ Straight | | | | | | | | | | | | | | |
| | 20 mmØ Spline | | | | | | | | | | | | | | |
| | 25.4 mmØ Spline | | | | | | | | | | | | | | |
| | 30 mmØ Spline | | | | | | | | | | | | | | |
| | 3/16" Tapered | | | | | | | | | | | | | | |
| | 1/5" Tapered | | | | | | | | | | | | | | |
| Air cleaner | Silent | ● | ● | ● | | ● | ● | ● | ● | ● | ● | ● | ● | ● | ● |
| | Oil bath | | | | ● | | | | | | | | | | |
| | Cyclone | | | | | | | | | | | | | | |
| | Standard | | | | | | | | | | | | | | |
| Muffler | Standard | ● | ● | ● | ● | ● | | | ● | | ● | ● | ● | ● | ● |
| | Silent | | | | | | ● | ● | | ● | | | | | |
| Spark arrester | | ● | ● | | | | ● | ● | | ● | | | | | |
| Oil alert | | | | | ● | ● | ● | ● | ● | ● | | ● | ● | ● | ● |
| Starter motor | | | | | | | | | ● | ● | ● | ● | ● | | |
| Reduction | | | | | | | | | | | | | | | |

| Model | | GX340K1 | | | | | | | | | | | | | |
|----------------|-------------------|------------------------|----|-----|------|------|------|------|------|-----|-----|-----|------|------|----|
| | | Standard equipment (1) | | | | | | | | | | | | | |
| Type | | SXU | VA | VAA | VAAE | VAD2 | VAH1 | VAH2 | VAW1 | VA2 | VC2 | VDE | VDE2 | VD16 | VE |
| Specifications | | | | | | | | | | | | | | | |
| Crankshaft | 25mmØ Straight | ● | | | | | | | | | | | | | |
| | 25.4 mmØ Straight | | | | | | | | | | | | | | |
| | 30 mmØ Straight | | | | | | | | | | | | | | |
| | 20 mmØ Spline | | | | | | | | | | | | | | |
| | 25.4 mmØ Spline | | | | | | | | | | | | | | |
| | 30 mmØ Spline | | | | | | | | | | | | | | |
| | 3/16" Tapered | | ● | ● | ● | ● | ● | ● | ● | ● | ● | ● | ● | ● | ● |
| | 1/5" Tapered | | | | | | | | | | | | | | |
| Air cleaner | Silent | ● | ● | ● | ● | ● | ● | ● | ● | ● | ● | ● | ● | ● | ● |
| | Oil bath | | | | | | | | | | | | | | |
| | Cyclone | | | | | | | | | | | | | | |
| | Standard | | | | | | | | | | | | | | |
| Muffler | Standard | ● | ● | ● | ● | ● | ● | ● | ● | ● | | ● | ● | ● | ● |
| | Silent | | | | | | | | | | | | | | |
| Spark arrester | | | ● | ● | ● | ● | ● | ● | ● | ● | | ● | ● | ● | ● |
| Oil alert | | ● | ● | ● | ● | ● | ● | ● | | ● | ● | | ● | | |
| Starter motor | | | | | ● | | | ● | | | | | | | |
| Reduction | | | | | | | | | | | | | | | |

| Specifications | | Model | GX340K1 | | | | | | | | | | | | |
|----------------|-------------------|-------|------------------------|-----|------|------|-----|-----|-----|-----|------|------|------|-----|-----|
| | | Type | Standard equipment (1) | | | | | | | | | | | | |
| | | VEB6 | VH | VHE | VH12 | VH22 | VMQ | VMT | VMX | VNG | VNG1 | VNG2 | VSH7 | VS2 | VS3 |
| Crankshaft | 25mmØ Straight | | | | | | | | | | | | | | |
| | 25.4 mmØ Straight | | | | | | | | | | | | | | |
| | 30 mmØ Straight | | | | | | | | | | | | | | |
| | 20 mmØ Spline | | | | | | | | | | | | | | |
| | 25.4 mmØ Spline | | | | | | | | | | | | | | |
| | 30 mmØ Spline | | | | | | | | | | | | | | |
| | 3/16" Tapered | ● | ● | ● | ● | ● | ● | | ● | ● | ● | ● | ● | ● | ● |
| | 1/5" Tapered | | | | | | | ● | | | | | | | |
| Air cleaner | Silent | ● | ● | ● | ● | ● | ● | ● | ● | ● | ● | ● | ● | ● | ● |
| | Oil bath | | | | | | | | | | | | | | |
| | Cyclone | | | | | | | | | | | | | | |
| | Standard | | | | | | | | | | | | | | |
| Muffler | Standard | ● | ● | ● | ● | ● | ● | ● | ● | | | | | | ● |
| | Silent | | | | | | | | | ● | ● | ● | ● | | |
| Spark arrester | | ● | | | ● | ● | | | | ● | ● | ● | ● | | |
| Oil alert | | | | | ● | ● | ● | ● | ● | ● | ● | ● | ● | ● | ● |
| Starter motor | | ● | | ● | | ● | ● | ● | | | | ● | | | |
| Reduction | | | | | | | | | | | | | | | |

| Specifications | | GX340K1 | | | | | | | | | | | | | |
|----------------|-------------------|------------------------|-----|-----|-----|------|-----|------|-----|------|-----|------|------|------|----|
| | | Standard equipment (1) | | | | | | | | | | | | | |
| Model | | VS4 | VS5 | VS6 | VS7 | VTE2 | VWA | VWA2 | VWC | VWC2 | VWE | VWE2 | VWS2 | VW12 | VX |
| Type | | | | | | | | | | | | | | | |
| Crankshaft | 25mmØ Straight | | | | | | | | | | | | | | |
| | 25.4 mmØ Straight | | | | | | | | | | | | | | |
| | 30 mmØ Straight | | | | | | | | | | | | | | |
| | 20 mmØ Spline | | | | | | | | | | | | | | |
| | 25.4 mmØ Spline | | | | | | | | | | | | | | |
| | 30 mmØ Spline | | | | | | | | | | | | | | |
| | 3/16" Tapered | ● | ● | ● | ● | | ● | ● | ● | ● | ● | ● | ● | ● | ● |
| | 1/5" Tapered | | | | | ● | | | | | | | | | |
| Air cleaner | Silent | ● | ● | ● | ● | ● | ● | ● | ● | ● | ● | ● | ● | ● | ● |
| | Oil bath | | | | | | | | | | | | | | |
| | Cyclone | | | | | | | | | | | | | | |
| | Standard | | | | | | | | | | | | | | |
| Muffler | Standard | ● | ● | ● | | ● | ● | ● | | | | ● | | ● | ● |
| | Silent | | | | | | | | ● | | | | ● | | |
| Spark arrester | | | | | | ● | ● | ● | | ● | | ● | ● | ● | |
| Oil alert | | ● | ● | ● | ● | | | ● | ● | ● | ● | ● | ● | ● | ● |
| Starter motor | | | ● | ● | ● | | ● | ● | | | ● | ● | ● | | |
| Reduction | | | | | | | | | | | | | | | |

| Specifications | | Model | GX340K1 | | | | | | | | | | | | | |
|----------------|-------------------|-------|------------------------|-----|------|------|-----|------|------|------|------|------|------|-----|-----|------|
| | | Type | Standard equipment (1) | | | | | | | | | | | | | |
| | | | VXA | VXB | VXB2 | VXB7 | VXE | VXEB | VXE2 | VXE4 | VXE6 | VXE7 | VXE8 | VXG | VXK | VXQ4 |
| Crankshaft | 25mmØ Straight | | | | | | | | | | | | | | | |
| | 25.4 mmØ Straight | | | | | | | | | | | | | | | |
| | 30 mmØ Straight | | | | | | | | | | | | | | | |
| | 20 mmØ Spline | | | | | | | | | | | | | | | |
| | 25.4 mmØ Spline | | | | | | | | | | | | | | | |
| | 30 mmØ Spline | | | | | | | | | | | | | | | |
| | 3/16" Tapered | ● | ● | ● | ● | ● | ● | ● | ● | ● | ● | ● | ● | ● | ● | ● |
| | 1/5" Tapered | | | | | | | | | | | | | | | |
| Air cleaner | Silent | ● | ● | ● | ● | ● | ● | ● | ● | ● | ● | ● | ● | ● | ● | ● |
| | Oil bath | | | | | | | | | | | | | | | |
| | Cyclone | | | | | | | | | | | | | | | |
| | Standard | | | | | | | | | | | | | | | |
| Muffler | Standard | ● | | | | ● | | ● | ● | ● | | ● | | ● | ● | |
| | Silent | | ● | ● | ● | | ● | | | | ● | | ● | | | |
| Spark arrester | | | ● | ● | ● | | ● | | | | ● | | ● | | | |
| Oil alert | | ● | ● | | ● | ● | ● | ● | ● | | ● | ● | | ● | ● | |
| Starter motor | | | | | | ● | ● | ● | ● | ● | ● | ● | | | | |
| Reduction | | | | | | | | | | | | | | | | |

| Specifications | | GX340K1 | | | | | | | | | | | | | |
|----------------|-------------------|---------|------------------------|------|------|-----|----|-----|-------------------------|-----|-----|-----|----|-------------|------|
| | | Model | Standard equipment (1) | | | | | | Selective equipment (2) | | | | | Propane (3) | |
| | | Type | VXU | VXU1 | VX16 | VX8 | YJ | ZK1 | L1 | P1 | Q1 | S1 | V1 | VXP | VXQP |
| Crankshaft | 25mmØ Straight | | | | | | | | | | ● | | | | |
| | 25.4 mmØ Straight | | | | | | | | | ● | | | | | |
| | 30 mmØ Straight | | | | | ● | | | | | | | | | |
| | 20 mmØ Spline | | | | | | | | | | | | | | |
| | 25.4 mmØ Spline | | | | | | | | ● | | | | | | |
| | 30 mmØ Spline | | | | | | ● | ● | | | | | | | |
| | 3/16" Tapered | ● | ● | ● | ● | | | | | | | ● | ● | ● | |
| | 1/5" Tapered | | | | | | | | | | | | | | |
| Air cleaner | Silent | ● | ● | ● | ● | ● | | (●) | (●) | (●) | (●) | (●) | ● | ● | |
| | Oil bath | | | | | | | (●) | (●) | (●) | (●) | (●) | | | |
| | Cyclone | | | | | | | (●) | (●) | (●) | (●) | (●) | | | |
| | Standard | | | | | | ● | | | | | | | | |
| Muffler | Standard | ● | ● | ● | ● | ● | | (●) | (●) | (●) | (●) | (●) | ● | ● | |
| | Silent | | | | | | | (●) | (●) | (●) | (●) | (●) | | | |
| Spark arrester | | | | | | | | (●) | (●) | (●) | (●) | (●) | | | |
| Oil alert | | ● | ● | ● | ● | | | (●) | (●) | (●) | (●) | (●) | ● | ● | |
| Starter motor | | | ● | | | | ● | (●) | (●) | (●) | (●) | (●) | | | |
| Reduction | | | | | | | ● | ● | | | | | | | |

Fuel hose, general purpose hoses and vinyl hose

- The standard part fuel hose, general purpose hose and vinyl hose may be substituted by the coiled bulk part.
- When ordering the standard part fuel hose, general purpose hose and vinyl hose use the bulk part number written in the parts catalog in brackets () underneath the part name.
- When exchanging the hose, cut and use at the specified length as mentioned in the part name.
(For the method of cutting the bulk part, and method of filling out orders etc., please refer to the instructions issued with the bulk part.)

Bulk part number of fuel hose, general purpose hose and vinyl hose.

Example: 9 5 0 0 1 - 7 5 0 0 1 - 5 0 M

Bulk part number:
Refers to the bulk part.

Marking code (fuel hose and general purpose hose)

Change code (Vinyl hose)

Indicates number mark or change sequence, however, the code for the bulk part must be strictly 0 (zero).

Types of code:

- | | | | | | |
|-------------|--|----------------|--|--------------|---|
| • Fuel hose | 2: Red outside braid (3 mm inside dia. only) | • General hose | 1: Ash gray 2: Ash gray 3: Black 5: Black | • Vinyl hose | 1: Clear 2: Black 3: Light red 6: Light red 7: Pale black |
| | 5: Black inside braid | | | | |
| | 3: Red (3 mm inside dia. only) | | | | |
| | 4: Ash gray with red stripe (3 mm inside dia. only) | | | | |
| | 6: Black | | | | |

Lengths:

- 001: 1 m (standard)
003: 3 m
008: 8 m } Application or specification of some parts is not settled.

I.D code: (fuel hose and general purpose hose)

- | | | | | |
|------------|--------------------|--------------------|-----------------------------|-----------------------------|
| 30: 3.0 mm | 50: 5.0 mm | 70: 7.0 mm | 11: 11 mm | 12: 12 (outside dia. 17) mm |
| 35: 3.5 mm | 55: 5.3 mm, 5.5 mm | 75: 7.3 mm, 7.5 mm | 91: 12 (outside dia. 15) mm | 14: 14 mm |
| 45: 4.5 mm | 65: 6.5 mm | 80: 8.0 mm | 92: 12 (outside dia. 16) mm | 17: 17 mm |

ID./OD. code: (vinyl hose)

- | | | | | |
|-------------------------|--------------------------|---------------------------|---------------------------|---------------------------|
| 01: ID. 2.9, OD. 6.8 mm | 12: ID. 5.0, OD. 7.0 mm | 21: ID. 8.0, OD. 9.0 mm | 37: ID. 11.0, OD. 15.0 mm | 50: ID. 16.0, OD. 19.0 mm |
| 03: ID. 3.0, OD. 6.0 mm | 10: ID. 5.0, OD. 8.0 mm | 23: ID. 8.0, OD. 12.0 mm | 38: ID. 12.0, OD. 13.0 mm | 55: ID. 17.5, OD. 20.5 mm |
| 05: ID. 3.5, OD. 6.5 mm | 11: ID. 5.0, OD. 9.0 mm | 25: ID. 9.0, OD. 11.0 mm | 39: ID. 12.0, OD. 14.0 mm | 60: ID. 22.0, OD. 27.0 mm |
| 07: ID. 4.0, OD. 7.0 mm | 14: ID. 6.0, OD. 9.0 mm | 27: ID. 9.0, OD. 13.0 mm | 40: ID. 12.0, OD. 16.0 mm | |
| 08: ID. 4.5, OD. 6.5 mm | 17: ID. 7.0, OD. 9.0 mm | 33: ID. 10.0, OD. 14.0 mm | 43: ID. 13.0, OD. 15.0 mm | |
| 09: ID. 4.5, OD. 8.0 mm | 19: ID. 7.0, OD. 11.0 mm | 36: ID. 11.0, OD. 13.0 mm | 45: ID. 14.0, OD. 18.0 mm | |

Hose type:

- 1: Fuel hose
3: Vinyl hose
5: General hose

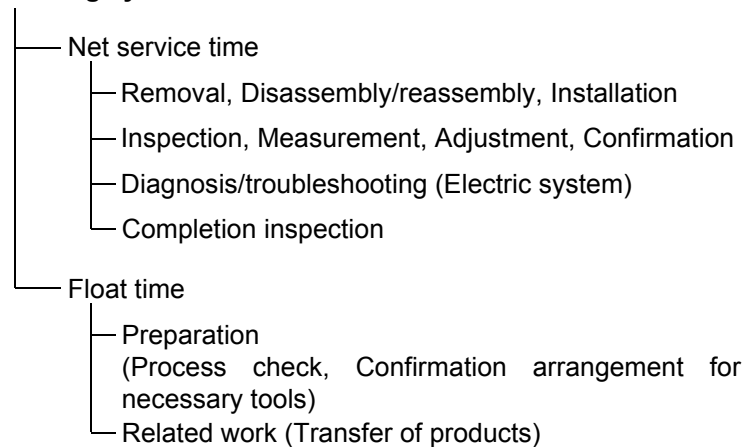
⊙ **CAUTION: It is DANGEROUS to confuse the fuel hose with the general purpose hose or vinyl hose.**

Never use a general purpose hose or vinyl hose in place of a fuel hose or vice versa. Always use the correct bulk part in the parts catalogue, according to the service manual or the instructions issued with the bulk part.

FLAT RATE SERVICE TIME

Flat rate service time (FRT) means the standard time required to service a product, which is listed in this manual to help the dealers control the actual working process and calculate the service charge by using it as a guide.

FRT setting system



* Float time is set by multiplying the net service time by a given coefficient.

Editorial style

The service items shown in the text are listed with the exchange work time for the repair sales parts as the subject. Other representative service items not using repair parts (removal/installation, adjustment, inspection/measuring, and other work) are listed collectively in the list in the preface, classified according to the work.

FRT setting standard

- Decimal system (in unit of 0.1) is adopted to set FRT as it is convenient to calculate the wage.
Example: (0.1) → 6 minutes, (0.2) → 12 minutes
[Labor cost per hour] x [FRT] = [Wage]
- FRT is set with a hand tool.
- Service items and FRT can be subject to change depending on development of tools and service equipment and improvement in service procedure.

Work procedure

- As the work procedure is set with the work time according to the method in the separate Service Manual, refer to this Manual as required.
- Work methods permitting servicing in the shortest time still permitting assurance of safe work and product warranty are used for the setting of service items not listed in the Service Manual.
- Work basically is to be performed by one person, and when two or more people are required, setting is done as the total time for the number of people.
- The set value for the technological level of the workers uses a person with three years of experience in the repair of Honda products as the standard.
- Special tools and service equipment used to set FRT are those specified or recommended in Service Manual.

Service item whose FRT is not presented

- Accessories and service parts that are not listed to use in this manual.
 - Locations with little aging deterioration or breakage during normal use.
 - Service work that can be finished by one touch.
 - Service work that is seldom done (i.e. extremely small causes of trouble and service frequency).
 - Products and parts whose location for installation differs according to its status of use and application.
- * When FRT is not presented, please calculate wages based on appropriate actual work time.

Operation not included of FRT

- Oil and coolant water draining, Waiting time for warming up operation and etc..
- Additional operation that involves removal/installation of standard exterior equipment.
- Indirect time spent for service by visiting the customer, trade-in, and delivery.
- Indirect time required for ordering and delivery of parts.
- Cost for grease, adhesive agent, etc. used for service work.

**Explanation of FRT by using an example
(The example may differ from the actual presented items)**

| Ref. No. | L.O.N. | (Relative ref. Number) Description | F.R.T. |
|----------|---------|---|--------|
| ① | 1111L1 | (1, 3, 4, 7) VALVE, INTAKE4.1 | ② |
| ② | | • NOTE: OHV type | ③ |
| ③ | 1111L1A | • Includes: Engine removal and installation One head (intake all) add1.4 | ④ |

- ① Reference No. of the illustration of part that shows location of the replacement work.
- ② FRT is an abbreviation of Flat Rate Time indicating the standard service time required for the replacement.
- ③ LON is an abbreviation of Labor Operation Number, and it is a classification of the service items by the work unit code.

The same operation code is used regardless of the models.

Standard operation is indicated with 6 digits code, and additional operation is indicated with 7 digits code.

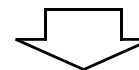
- ④ Indicating the intake valve replacement and FRT4.1.
- ⑤ Indicating FRT1.4 that will be added when additional operation (whole intake side of one cylinder head) is done in association with intake valve replacement.

- ⑥ Indicating work condition or application condition of the service item.
- ⑦ Indicating work contents that are included in the service item.
- ⑧ Indicating a reference No. whose operation and time are the same as FRT4.1 for the intake valve.

(The application range is limited to the service items without an LON setting within a same block.)

**How to refer to the service item by using the sample
(intake valve replacement)**

Open to the page of the block where the intake valve's spare part illustration is shown.



Look for the intake valve illustration, and refer to the service item and FRT that agree with the reference No.

Indication mark for the listing of service items that continues to the following page

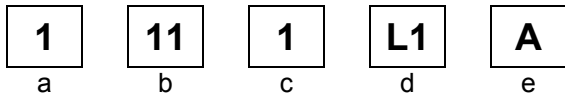
| Ref. No. | L.O.N. | (Relative ref. Number) Description | F.R.T. |
|----------|--------|---------------------------------------|--------|
| 2 | 1111L1 | VALVE, INTAKE | 4.1 |
| | . | . | . |
| | . | . | . |

+
Mark indicated at the last line.

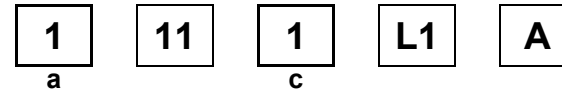
Indication of the block with no setting of FRT

| Ref. No. | L.O.N. | (Relative ref. Number) Description | F.R.T. |
|----------------------|--------|---------------------------------------|--------|
| NO INFORMATION | | | |

• LON code system



- a) Category code..... Engine
- b) Location/function code..... Engine upper
- c) Operation code..... Replace
- d) Operation sequence number (Unit code can be shown with alphabet)
..... Intake valve
(No regular rule of code)
- e) Additional code One head (intake all)
(No regular rule of code)



a) Category codes and classification

| Code | Category |
|------|----------------|
| 1 | Engine |
| 2 | Power drive |
| 3 | Fuel & Exhaust |
| 4 | Frame & Body |
| 5 | Steering |
| 6 | Electrical |
| 7 | Axle & Brake |
| 8 | Control system |
| 9 | - |
| 0 | Attachments |

c) Operation codes and classification

| Code | Operation category |
|------|---------------------------------------|
| 1 | Replace, Removal/Installation, Change |
| 2 | Overhaul |
| 3 | Adjust, Rotation |
| 4 | (Paint-related work: Top-coat) |
| 5 | Test, Inspect/diagnose, Measurement |
| 6 | (Overhaul-related work: Rebore) |
| 7 | (Overhaul-related work: Reseal) |
| 8 | (Resurface) |
| 9 | (Paint-related work: Refinish) |
| 0 | Repair, Cleaning, Air bleeding |

Major service items without using spare parts

- (1) Removal/Installation, (2) Adjustment,
(3) Inspection/Measurement, (4) Overhaul, (5) Other work

E: Engine, T: Transmission, D: Drive system,
B: Body and related parts

(1) Removal/Installation

Set with the parts configuration in the status of being removed from the product.

| | LON | DESCRIPTION | FRT |
|---|--------|---|-----|
| E | 1111L3 | CYLINDER HEAD ASSEMBLY-REMOVAL/INSTALLATION | 0.5 |

(2) Adjustment

| | LON | DESCRIPTION | FRT |
|---|--------|---|-----|
| E | 1113A1 | VALVE CLEARANCE-ADJUSTMENT NOTE: For 1 product | 0.3 |
| | 1163A0 | CONTROL, THROTTLE/GOVERNOR-ADJUSTMENT | 0.2 |
| | 3113A2 | CARBURETOR IDLE-ADJUSTMENT | 0.2 |

(3) Inspection, Measurement, Cleaning

| | LON | DESCRIPTION | FRT |
|---|--------|--|-----|
| E | 1105A0 | ENGINE OIL-INSPECTION | 0.1 |
| | 3120A0 | AIR CLEANER-CLEANING INCLUDES: Air cleaner-inspection | 0.2 |
| | 3130A0 | SPARK ARRESTER-CLEANING INCLUDES: Spark arrester-inspection | 0.1 |
| | 6140A0 | SPARK PLUG-ADJUSTMENT/CLEANING NOTE: For 1 product | 0.1 |

(4) Overhaul

Work condition: The required Measurements, inspections, adjustments, and cleaning/washing of each part are performed, including the main body removal/installation work and the replacement of defective parts.

| | LON | DESCRIPTION | FRT |
|---|--------|---|-----|
| E | 3112A0 | CARBURETOR-OVERHAUL INCLUDES: All necessary adjustment | 0.6 |

(5) Other work

| | LON | DESCRIPTION | FRT |
|---|--------|--|-----|
| E | 1101E1 | ENGINE OIL-CHANGE INCLUDES: Engine oil-inspection | 0.2 |

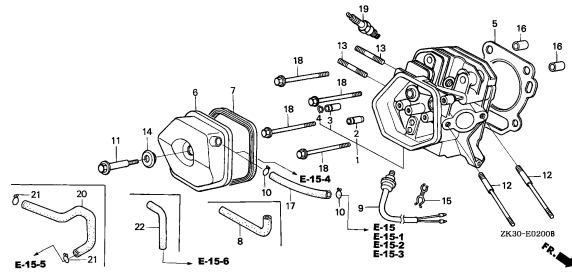
ENGINE GROUP

D 7

E-2

CYLINDER HEAD

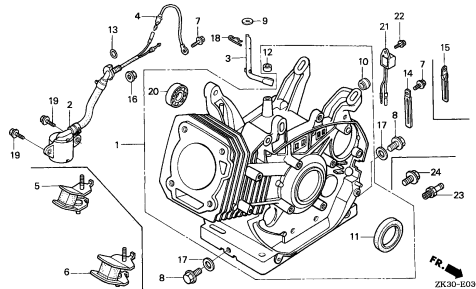
E 1



E-3

CYLINDER BARREL

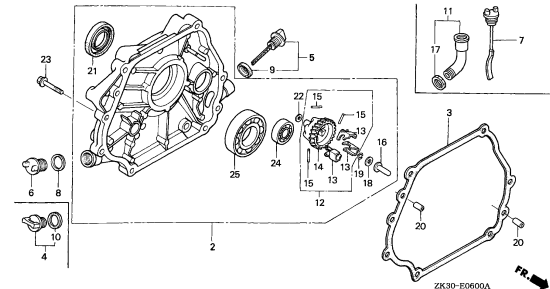
E16



E-6

CRANKCASE COVER(1)

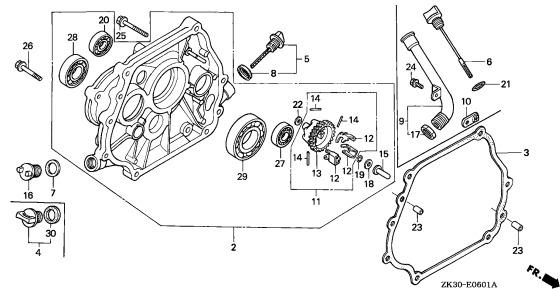
F14



E-6-1

CRANKCASE COVER(2)

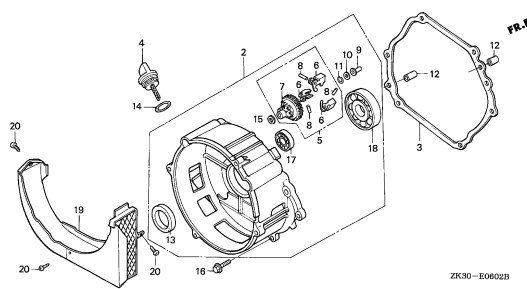
G13



E-6-2

CRANKCASE COVER(3)

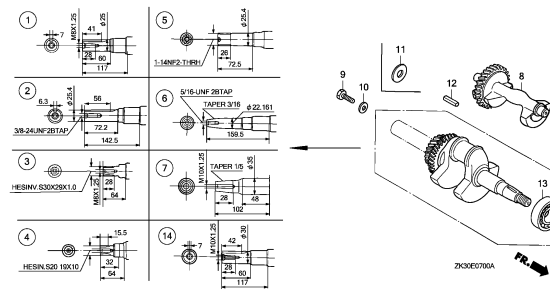
H 1



E-7

CRANKSHAFT

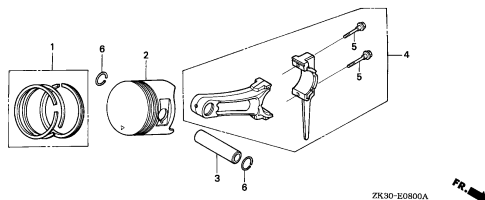
H 3



E-8

PISTON

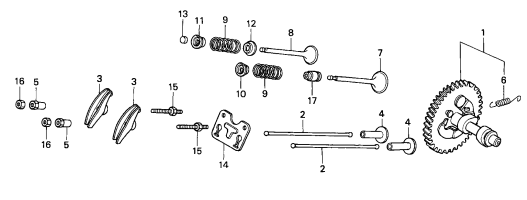
H 6



E-9

CAMSHAFT

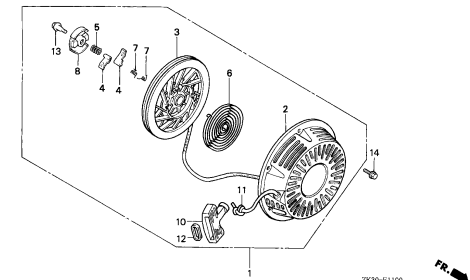
I 6



E-11

RECOIL STARTER

I11



2

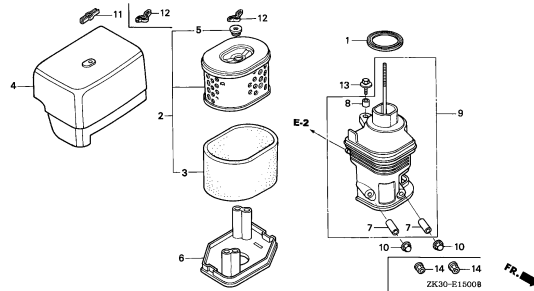
ENGINE GROUP

D 9

E-15

AIR CLEANER(1)

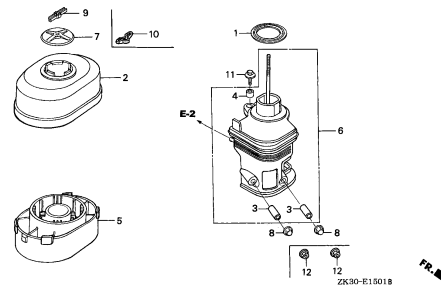
N 4



E-15-1

AIR CLEANER(2)

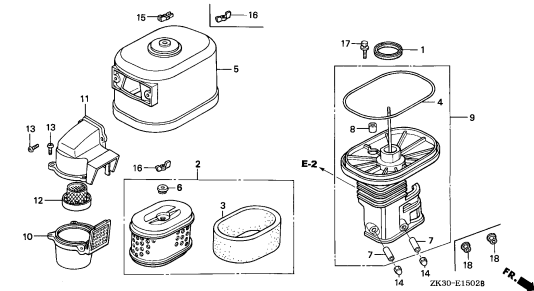
N15



E-15-2

AIR CLEANER(3)

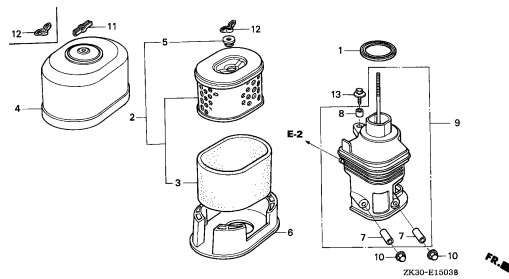
N16



E-15-3

AIR CLEANER(4)

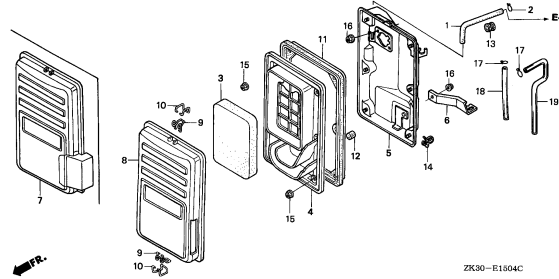
2-B 2



E-15-4

AIR CLEANER(5)

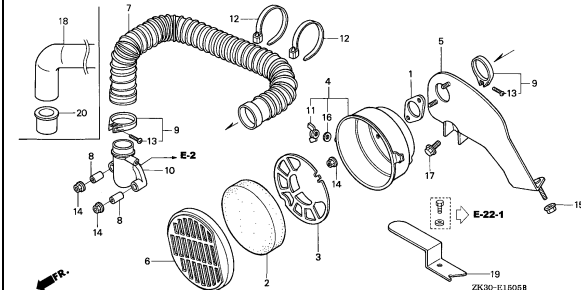
2-B 3



E-15-5

AIR CLEANER(6)

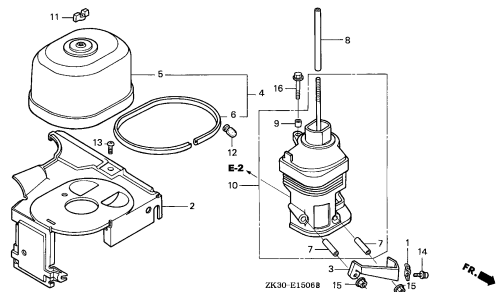
2-B 6



E-15-6

AIR CLEANER(7)

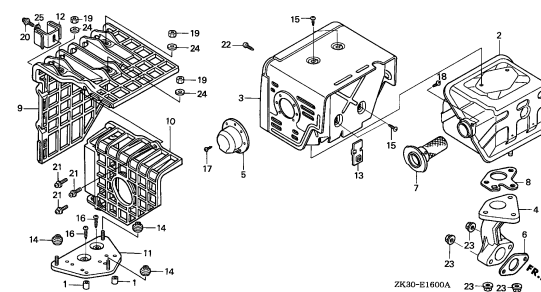
2-B 8



E-16

MUFFLER(1)

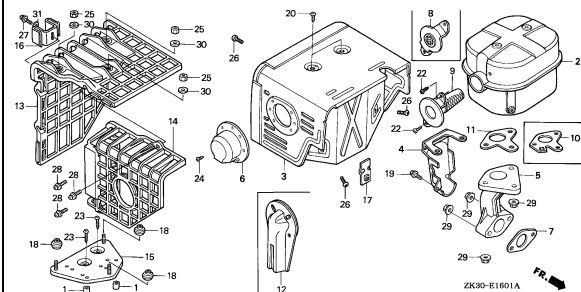
2-B 9



E-16-1

MUFFLER(2)

2-B12



2

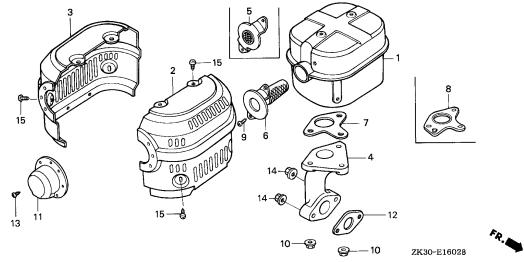
ENGINE GROUP

D10

E-16-2

MUFFLER(3)

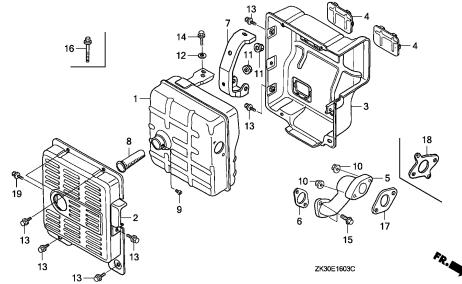
2-C 8



E-16-3

MUFFLER(4)

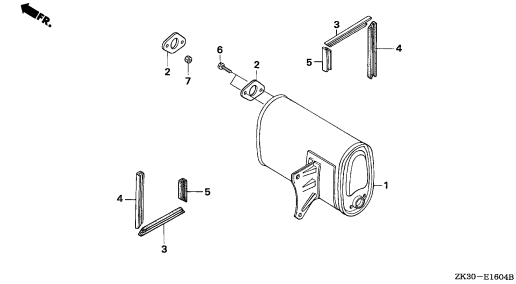
2-C10



E-16-4

MUFFLER(5)

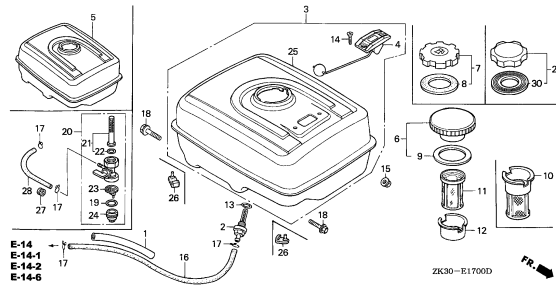
2-C12



E-17

FUEL TANK(1)

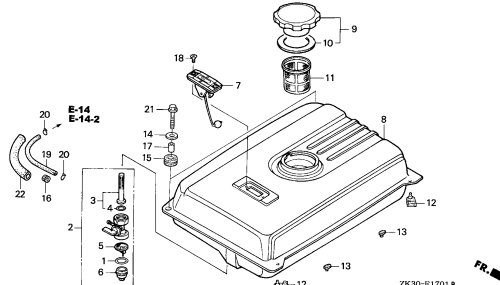
2-C13



E-17-1

FUEL TANK(2)

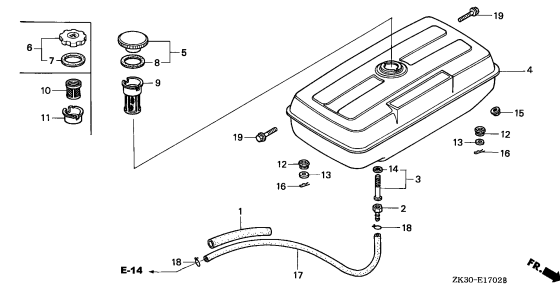
2-D 9



E-17-2

FUEL TANK(3)

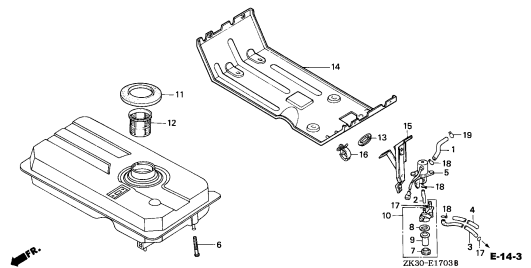
2-D12



E-17-3

FUEL TANK(4)

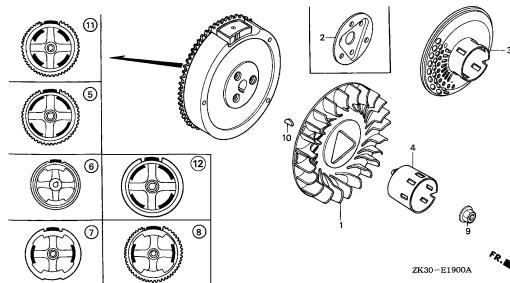
2-D13



E-19

FLYWHEEL

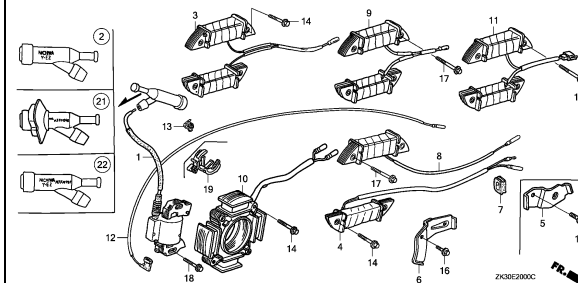
2-D14



E-20

IGNITION COIL(1)

2-E 2



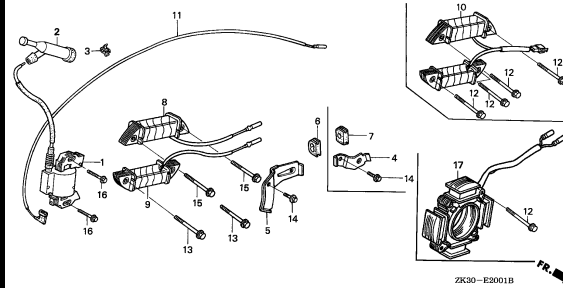
ENGINE GROUP

D11

E-20-1

IGNITION COIL(2)

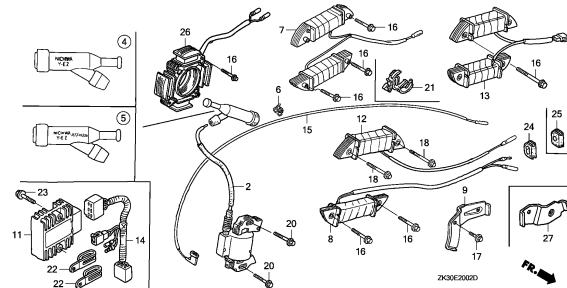
2-E 9



E-20-2

IGNITION COIL(3)

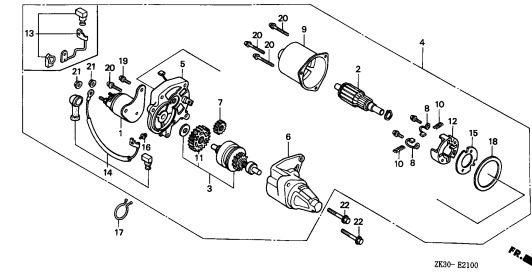
2-E10



E-21

STARTER MOTOR

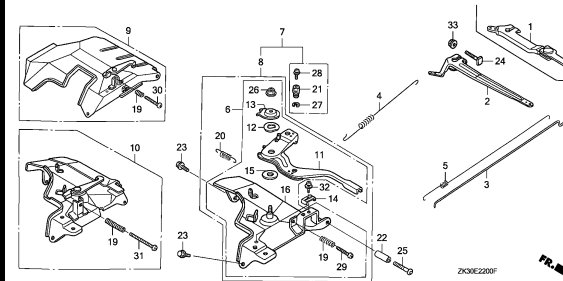
2-E12



E-22

CONTROL(1)

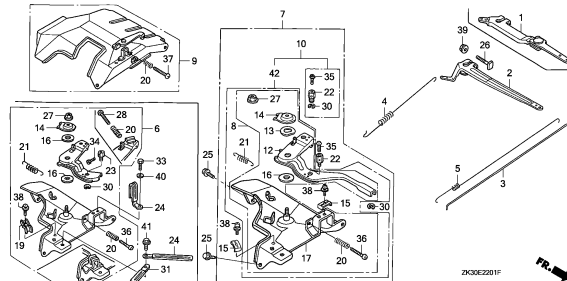
2-F 3



E-22-1

CONTROL(2)

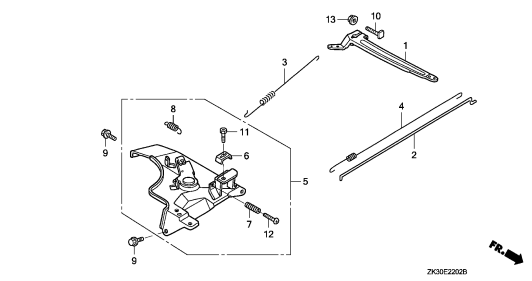
2-G 2



E-22-2

CONTROL(3)

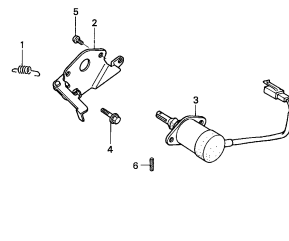
2-G 6



E-22-20

AUTO THROTTLE

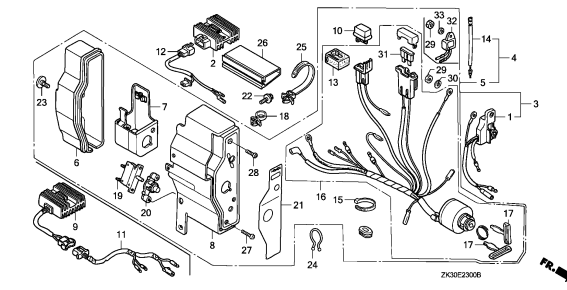
2-G 7



E-23

CONTROL BOX(1)

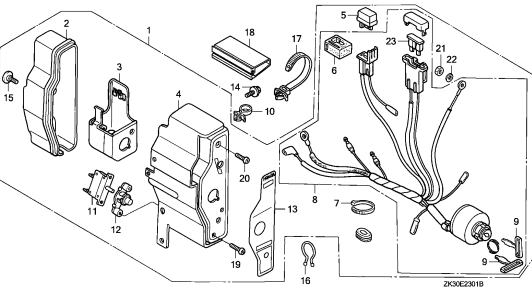
2-G 8



E-23-1

CONTROL BOX(2)

2-G16



2

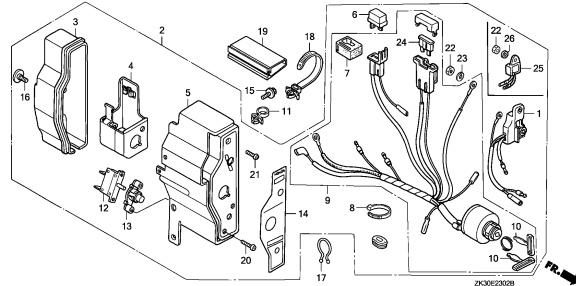
ENGINE GROUP

D12

E-23-2

CONTROL BOX(3)

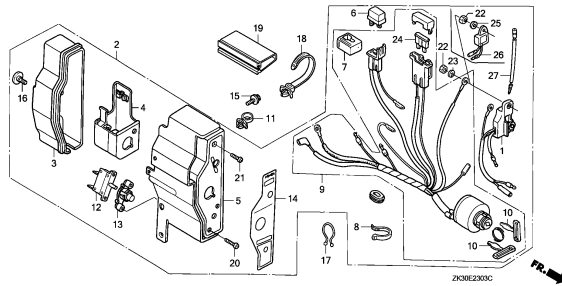
2-H 2



E-23-3

CONTROL BOX(4)

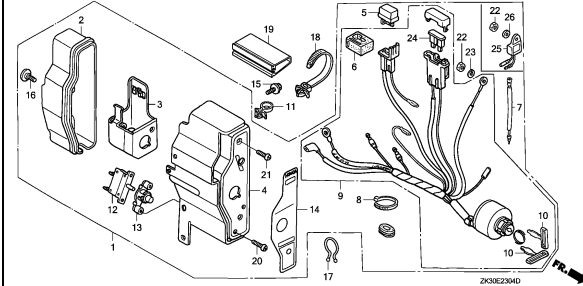
2-H 4



E-23-4

CONTROL BOX(5)

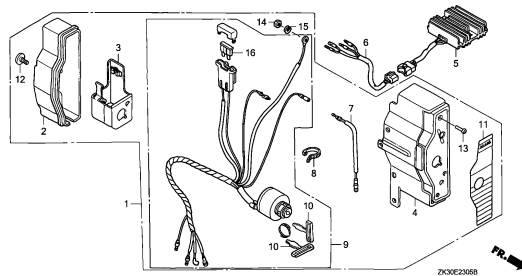
2-H 6



E-23-5

CONTROL BOX(6)

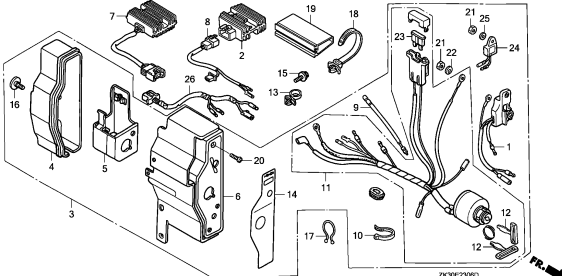
2-H 9



E-23-6

CONTROL BOX(7)

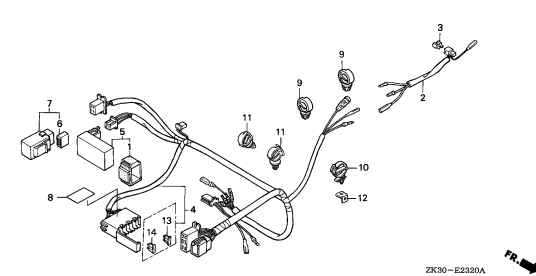
2-H11



E-23-20

WIRE HARNESS

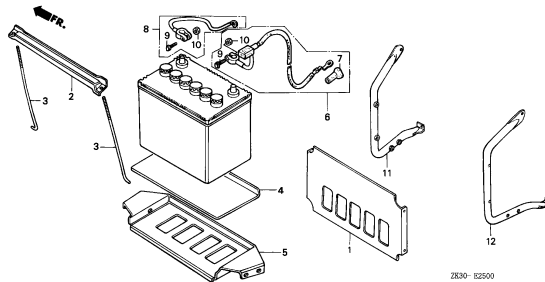
2-H14



E-25

BATTERY(1)

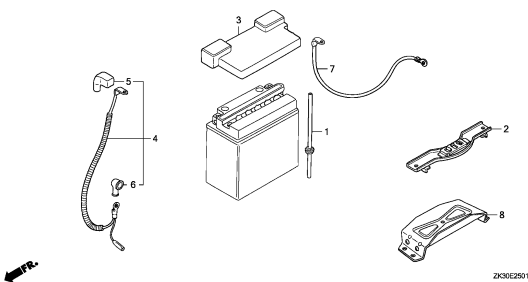
2-H15



E-25-1

BATTERY(2)

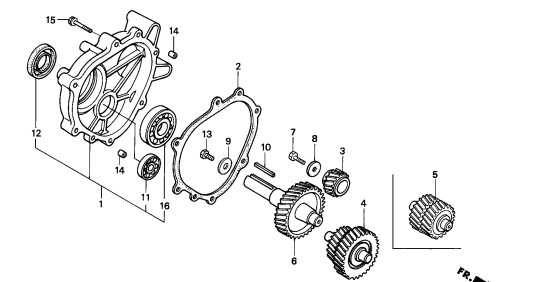
2-H16



E-26

REDUCTION(1/2)

2-I 1



2

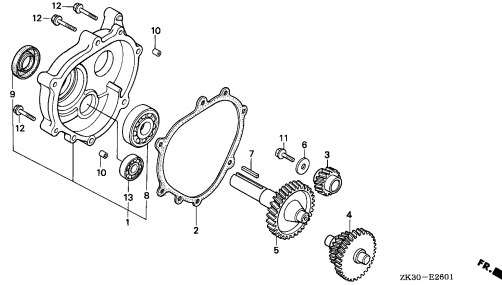
ENGINE GROUP

D13

E-26-1

REDUCTION(1/6)

2-I 4

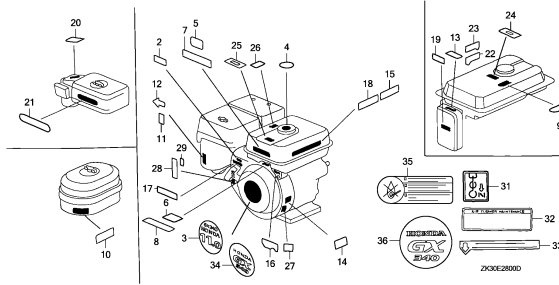


ZK30-E2601

E-28

LABEL(1)

2-I 5

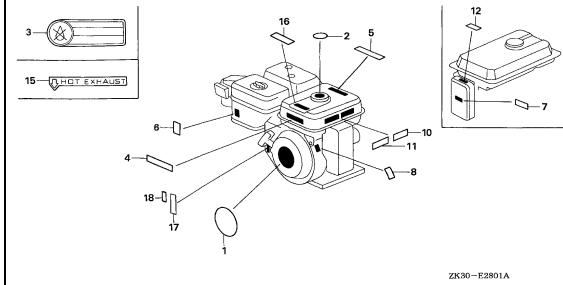


ZK30E2800

E-28-1

LABEL(2)

2-I12

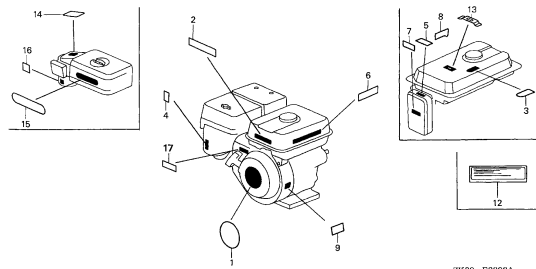


ZK30-E2801A

E-28-2

LABEL(3)

2-I14

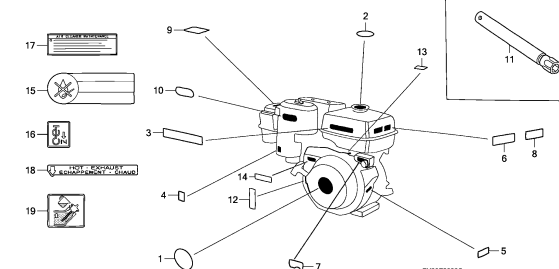


ZK30-E2802A

E-28-3

LABEL(4)

2-I16

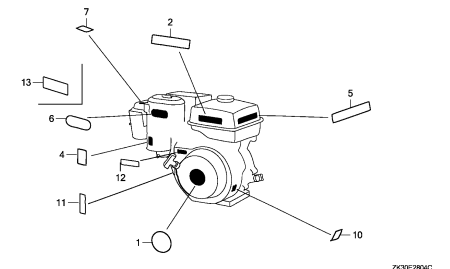


ZK30E2803C

E-28-4

LABEL(5)

2-J 2

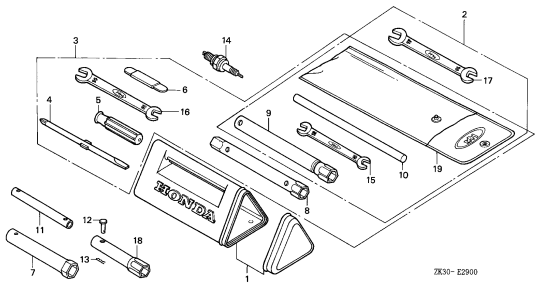


ZK30E2804C

E-29

TOOL(1)

2-J 4

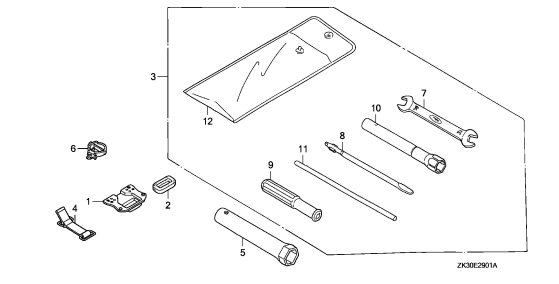


ZK30-E2900

E-29-1

TOOL(2)

2-J 6

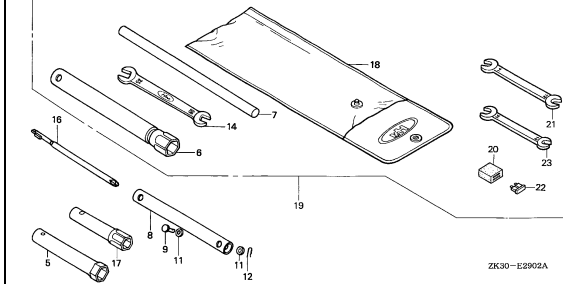


ZK30E2901A

E-29-2

TOOL(3)

2-J 7



ZK30-E2902A

2

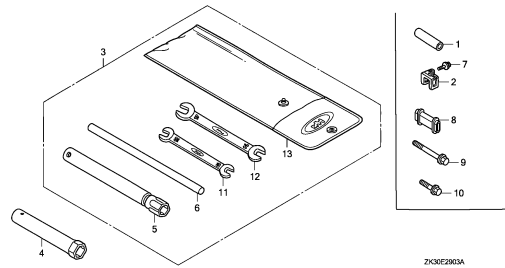
ENGINE GROUP

D14

E-29-3

TOOL(4)

2-J 8

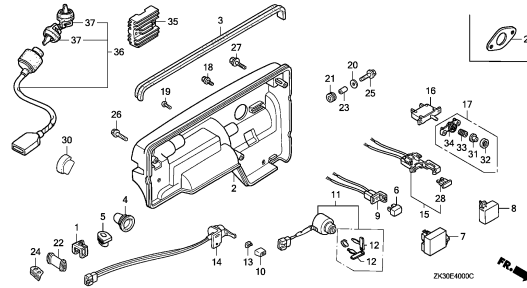


ZK30E2903A

E-40

CONTROL CASE

2-J 9

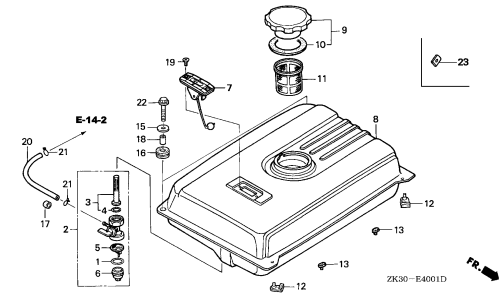


ZK30E4000C

E-40-1

FUEL TANK

2-J12

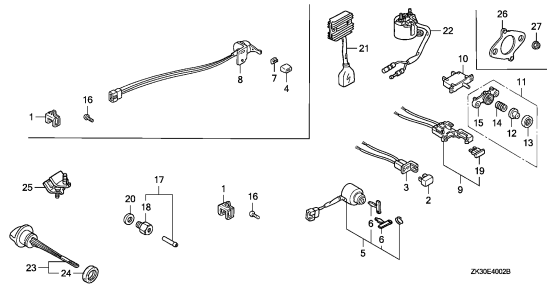


ZK30-E4001D

E-40-2

COMBINATION SWITCH

2-J14

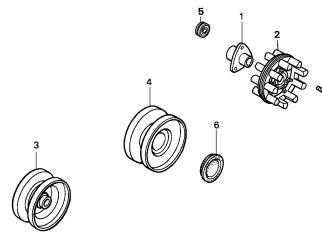


ZK30E4002B

E-40-3

WHEEL

2-J16

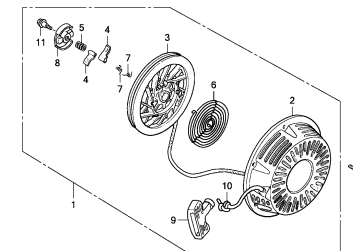


ZK30-E4003A

E-40-4

RECOIL STARTER

2-K 1

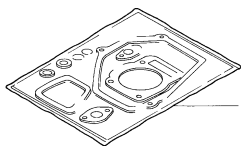


ZK30E4004

EOP-1

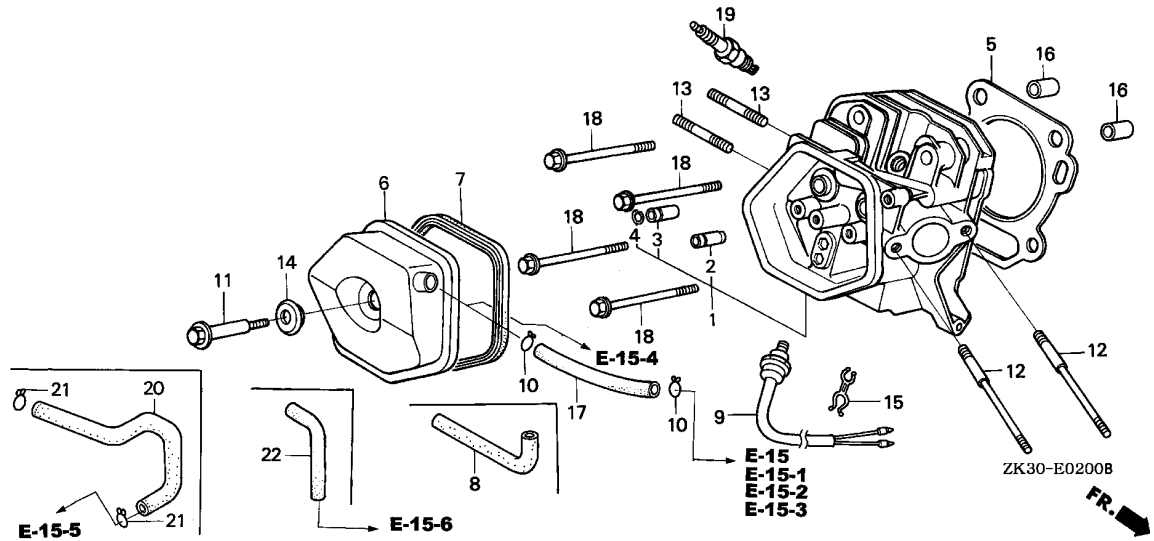
GASKET KIT

2-K 2



HENG-K0000

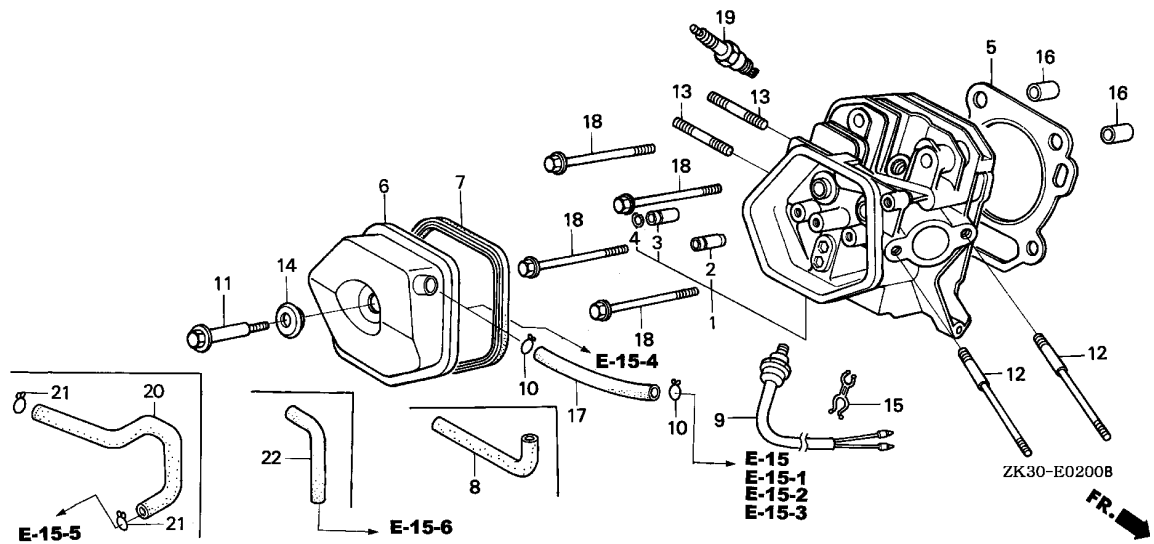
2



| Ref. No. | L.O.N. | (Relative ref. Number) Description | F.R.T. |
|----------|---------|--|--------|
| 1 | 1111N3 | HEAD, CYLINDERINCLUDES: Valve clearance adjustment and reface | 0.9 |
| 2 | 1111E9 | GUIDE, INTAKE VALVEINCLUDES: Valve clearance adjustment | 0.8 |
| | 1111E9E | .Replace intake and exhaust all add | 0.4 |
| 3 | 1111E8 | GUIDE, EXHAUST VALVEINCLUDES: Valve clearance adjustment | 0.8 |
| | 1111E8E | .Replace intake and exhaust all add | 0.4 |
| 5 | 1111N4 | GASKET, CYLINDER HEAD | 0.5 |
| 6 | 1111D5 | COVER, CYLINDER HEAD AND/OR PACKING, HEAD COVER | 0.1 |
| 9 | 6171C4 | SWITCH, CYLINDER HEAD THERMO (8,20,22) | 0.2 |
| 17 | 1111K5 | TUBE, BREATHER | 0.1 |
| 19 | 6141C1 | PLUG, SPARK | 0.1 |

| Ref. No. | Part No. | Description | Reqd. QTY GX 340K1 (1) (2) (3) | Serial No. | Parts catalogue code |
|----------|---------------|----------------------------|---|------------|---|
| 1 | 12200-ZF6-W01 | HEAD COMP., CYLINDER | 1 | - | BJ, EDE2, EDE2/A, EDN, EDN2, EDN2/A, EDN5, EDN5/A, EDS, EDS1, EDS1/A, EDS2, EDS2/A, EDS3, EDS5, EDS6, EDS6/A, EDT, EDT/A, EDT1, EDT1/A, EDT2, EDT6, EDT6/A, ED6, ED6/A, ED7, ED8, ED8/A, ED9, ED9/A, EMT, EMT/A, EN, ENT, ENT/A, ENT2, EN6, EN6/A, ES, ES1, ES1/A, ES3, ES3/A, ES4, ES4/A, ET, ETX, HA, HAQ, HA2, HA2/A, HH, HX, HX2, HX26, HX26/A, LH, LH/A, LHB1, LHB3, LHB3/A, LHB5, LHC, LHE, LHE/A, LHQ4, LHQ4/A, LHW, LJ, LJ/A, LJG, LJG/A, LJS, LJS/A, LKE, LKE/A, LP, LSX, LT, LT/A, LWD, LWD1, LWD1/A, LX, LX/A, LXE, LXE/A, LXE2, LXE2/A, LXE4, LXE4/A, LXE6, LXE8, LXE8/A, LXQ4, LXQ4/A, LXU, LXU/A, LXZ, LX2, LX2/A, LX26, LX26/A, PKT2, PKT2/A, PKT4, PKT4/A, PKX2, PKX4, PKX4/A, PX, PX/A, PXE8, PXE8/A, QA, QAB2, QAB2/A, QAC2, QAC2/A, QAE, QAE2, QAE2/A, QAE6, QAE6/A, QAG, QAG/A, QAH2, QAH2/A, QAP, QAPE, QAP2, QAP2/A, QAQ, QA2, QA2/A, QA26, QA26/A, QDW9, QDW9/A, QE, QE/A, QH, QH/A, QHB3, QHB3/A, QHB5, QHC, QHE, QHE/A, QHP1, QHP1/A, QHQ4, QHQ4/A, QH2, QKA4, QKA4/A, QL2, QMED, QMED/A, QME8, QME8/A, QMH, QMH/A, QMT2, QMT2/A, QMX2, QNE, QNE2, QNE2/A, QNE6, QNE9, QNE9/A, QNR2, QNR2/A, QNR6, QNR6/A, QN18, QP, QP/A, QPE2, QT, QT/A, QTC2, QTC2/A, QWH2, QWH2/A, QX, QX/A, QXB, QXB/A, QXB7, QXB7/A, QXC, QXC/A, QXC4, QXC4/A, QXC6, QXC6/A, QXC9, QXC9/A, QXE, QXE/A, QXEB, QXE2, QXE4, QXE4/A, QXE6, QXE6/A, QXE8, QXE8/A, QXQ4, QXQ4/A, QXU, QXU/A, QX2, SDE, SE, SE/A, SH, SH/A, SHB1, SHB3, SHB3/A, SHE, SHEZ, SHQ4, SHQ4/A, SHT, SJ, SJ/A, SJG, SJG/A, SKE, SKE/A, SKZ, SKZ/A, SME0, SME0/A, SME2, SMX2, SMX2/A, STJ, STJ/A, STP, STP/A, STQ, STQ/A, STR, STR/A, SWX, SWX/A, SX, SX/A, SXB, SXB/A, SXB7, SXB7/A, SXE, SXE/A, SXEB, SXEB/A, SXE2, SXE4, SXE4/A, SXE8, SXE8/A, SXP, SXQ4, SXQ4/A, SXU, SXU/A, VA, VAA, VAAE, VAD2, VAD2/A, VAH1, VAH2, VAW1, VA2, VA2/A, VC2, VC2/A, VDE, VDE2, VDE2/A, VD16, VE, VEB6, VH, VHE, VH12, VH12/A, VH22, VH22/A, VMT, VMT/A, VMX, VNG, VNG1, VNG2, VTE2, VMA, VMA2, VWC2, VWC2/A, VWE2, VWE2/A, VWS2, VWS2/A, VW12, VW12/A, VX, VX/A, VXA, VXB, VXB/A, VXB2, VXB7, VXB7/A, VXE, VXE/A, VXEB, VXEB/A, VXE2, VXE2/A, VXE4, VXE6, VXE7, VXE7/A, VXE8, VXE8/A, VXG, VXQ4, VXQ4/A, VXU, VXU/A, VXU1, VXU1/A, VX16, VX16/A, VX8, VX8/A, YJ, ZK1, ZK1/A |

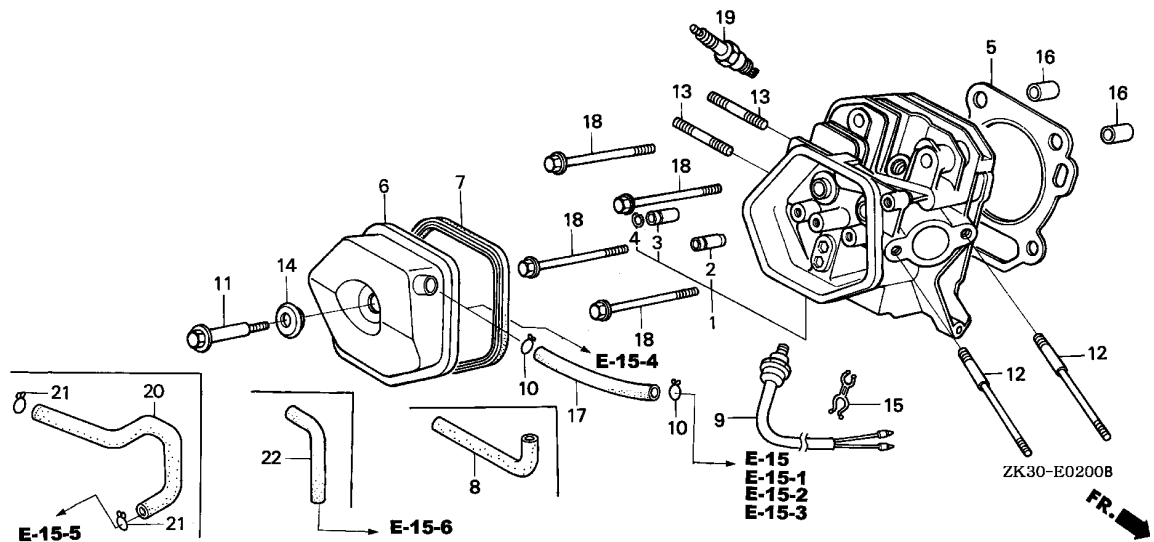




| Ref. No. | Part No. | Description | Reqd. QTY | | | Serial No. | Parts catalogue code |
|----------|---------------|-------------------------------|-----------|-------|-----|------------|--|
| | | | GX | 340K1 | | | |
| | | | (1) | (2) | (3) | | |
| (1) | 12200-ZF6-W01 | HEAD COMP., CYLINDER | - | 1 | - | | |
| | 12200-ZF6-W11 | | - | - | 1 | | |
| | 12200-ZF6-406 | | 1 | - | - | ----- | EDK,EDS4,EDT3,ES2,LJS1,PXA2,VMQ,VSH7,VS2,VS3,VS4,VS5,VS6,VS7,VWC,VWE,VXK |
| 2 | 12204-ZE2-306 | GUIDE, IN. VALVE (O.S.) | 1 | 1 | 1 | | |
| 3 | 12205-ZE2-305 | GUIDE, EX. VALVE (O.S.) | 1 | 1 | 1 | | |
| 4 | 12216-ZE2-300 | CLIP, VALVE GUIDE | 1 | 1 | 1 | | |
| 5 | 12251-ZE3-010 | GASKET, CYLINDER HEAD | 1 | - | - | ----- | 2127684 BJ,EN,ET,ETS,ETX,LJ,LXZ,QT,SHEZ,SJ,STJ,SWX,YJ |
| | | | 1 | - | - | ----- | 2167646 LP |
| | | | - | (1) | - | | |

| Ref. No. | Part No. | Description | Reqd. QTY | | | Serial No. | Parts catalogue code |
|----------|---------------|--|-----------|-----|-----|--------------------------------|---|
| | | | (1) | (2) | (3) | | |
| (6) | 12310-ZE2-020 | COVER COMP., HEAD | 1 | (1) | - | 2179884 ----- | BJ,EDN,EDS,ED6,ED7,ED8,ED9,EN,ES,ES1,ES3,ET,ETS,ETX,HA,HH,HX,LH LHE,LJ,LKE,LP,LX,LXE,LXZ,L1,PX,P1,QA,QAE,QAP,QAPE,QE,QH,QHE,QNE QP,QT,QX,QXB,QXE,QXEB,Q1,SE,SH,SHE,SHEZ,SJ,STJ,STP,STQ,SWX,SX,SXB SXE,SXEB,SXP,S1,VA,VAA,VAAE,VAH1,VAH2,VE,VH,VHE,VNG,VNG1,VNG2,VX VXA,VXB,VXE,VXEB,V1,YJ |
| | 12310-ZE3-790 | COVER COMP., HEAD (BREATHER TUBE JOINT) | - | - | 1 | | |
| | 12310-ZE3-791 | (CYCLONE) | 1 | (1) | - | 2179986 ----- 2179986 ----- | LHC,QHC,QXC L1,P1,Q1,S1,V1 EDS5,HAQ,HA2,HA2/A,HX2,LX2,LX2/A,L1/A,P1/A,QAE2,QAE2/A,QAP2 QAP2/A,QAQ,QA2,QA2/A,QDW9,QDW9/A,QH2,QNE2,QNE2/A,QNE9,QNE9/A,QPE2 QWH2,QWH2/A,QXC/A,QXC4,QXC4/A,QXC6,QXC6/A,QXC9,QXC9/A,QXE2,QX2 Q1/A,SHT,S1/A,VA2,VA2/A,VWE2,VWE2/A,VXE2,VXE2/A,ZK1,ZK1/A |
| 7 | 12391-ZE2-010 | PACKING, HEAD COVER | 1 | (1) | - | 2179987 ----- 2179883 ----- | LHC,L1,P1,QHC,QXC,Q1,S1,V1 BJ,EDN,EDS,ED6,ED7,ED8,ED9,EN,ES,ES1,ES3,ET,ETS,ETX,HA,HH,HX,LH LHE,LJ,LKE,LP,LX,LXE,LXZ,L1,PX,P1,QA,QAE,QAP,QAPE,QE,QH,QHE,QNE QP,QT,QX,QXB,QXE,QXEB,Q1,SE,SH,SHE,SHEZ,SJ,STJ,STP,STQ,SWX,SX,SXB SXE,SXEB,SXP,S1,VA,VAA,VAAE,VAH1,VAH2,VE,VH,VHE,VNG,VNG1,VNG2,VX VXA,VXB,VXE,VXEB,V1,YJ |
| | 12391-ZE2-020 | | 1 | (1) | - | 2179986 ----- | LHC,QHC,QXC EDE2,EDE2/A,EDK,EDN2,EDN2/A,EDN5,EDN5/A,EDS1,EDS1/A,EDS2,EDS2/A EDS3,EDS4,EDS5,EDS6,EDS6/A,EDT,EDT/A,EDT1,EDT1/A,EDT2,EDT3,EDT6 EDT6/A,ED6/A,ED8/A,ED9/A,EMT,EMT/A,ENT,ENT/A,ENT2,EN6,EN6/A,ES1/A ES2,ES3/A,ES4,ES4/A,HAQ,HA2,HA2/A,HX2,HX26,HX26/A,LH/A,LHB1,LHB3 LHB3/A,LHB5,LHE/A,LHQ4,LHQ4/A,LHW,LJ/A,LJG,LJG/A,LJS,LJS/A,LJ1 LKE/A,LSX,LT,LT/A,LWD,LWD1,LWD1/A,LX/A,LXE/A,LXE2,LXE2/A,LXE4 LXE4/A,LXE6,LXE8,LXE8/A,LXQ4,LXQ4/A,LXU,LXU/A,LX2,LX2/A,LX26 LX26/A,L1/A,PKT2,PKT2/A,PKT4,PKT4/A,PKX2,PKX4,PKX4/A,PX/A,PXA2 PX8,PX8/A,P1/A,QAB2,QAB2/A,QAC2,QAC2/A,QAE2,QAE2/A,QAE6,QAE6/A QAG,QAG/A,QA2,QA2/A,QAP2,QAP2/A,QAQ,QA2,QA2/A,QA26,QA26/A,QDW9 QDW9/A,QE/A,QH/A,QHB3,QHB3/A,QHB5,QHE/A,QHP1/A,QHQ4,QHQ4/A QH2,QKA4,QKA4/A,QL2,QMEO,QMEO/A,QME8,QME8/A,QMH,QMH/A,QMT2,QMT2/A QMX2,QNE2,QNE2/A,QNE6,QNE9,QNE9/A,QNR2,QNR2/A,QNR6,QNR6/A,QN18 QP/A,QPE2,QT/A,QTC2,QTC2/A,QWH2,QWH2/A,QX/A,QXB/A,QXB7,QXB7/A QXC/A,QXC4,QXC4/A,QXC6,QXC6/A,QXC9,QXC9/A,QXE/A,QXE2,QXE4,QXE4/A QXE6,QXE6/A,QXE8,QXE8/A,QXQ4,QXQ4/A,QXU,QXU/A,QX2,Q1/A,SDE,SE/A SH/A,SHB1,SHB3,SHB3/A,SHQ4,SHQ4/A,SHT,SJ/A,SJG,SJG/A,SKE,SKE/A SKZ,SKZ/A,SMEO,SMEO/A,SME2,SMX2,SMX2/A,STJ/A,STP/A,STQ/A,STR STR/A,SWX/A,SX/A,SXB/A,SXB7,SXB7/A,SXE/A,SXEB/A,SXE2,SXE4,SXE4/A SX8,SX8/A,SXQ4,SXQ4/A,SXU,SXU/A,S1/A,VAD2,VAD2/A,VAW1,VA2,VA2/A VC2,VC2/A,VDE,VDE2,VDE2/A,VD16,VEB6,VH12,VH12/A,VH22,VH22/A,VMQ VMT,VMT/A,VMX,VSH7,VS2,VS3,VS4,VS5,VS6,VS7,VTE2,VWA,VWA2,VWC,VWC2 VWC2/A,VWE,VWE2,VWE2/A,VWS2,VWS2/A,VW12,VW12/A,VX/A,VXB/A,VXB2 VXB7,VXB7/A,VXE/A,VXEB/A,VXE2,VXE2/A,VXE4,VXE6,VXE7,VXE7/A,VXE8 VXE8/A,VXG,VXK,VXQ4,VXQ4/A,VXU,VXU/A,VXU1,VXU1/A,VX16,VX16/A,VX8 VX8/A,ZK1,ZK1/A |
| | | | 1 | (1) | - | 2179884 ----- | BJ,EDN,EDS,ED6,ED7,ED8,ED9,EN,ES,ES1,ES3,ET,ETS,ETX,HA,HH,HX,LH LHE,LJ,LKE,LP,LX,LXE,LXZ,L1,PX,P1,QA,QAE,QAP,QAPE,QE,QH,QHE,QNE QP,QT,QX,QXB,QXE,QXEB,Q1,SE,SH,SHE,SHEZ,SJ,STJ,STP,STQ,SWX,SX,SXB SXE,SXEB,SXP,S1,VA,VAA,VAAE,VAH1,VAH2,VE,VH,VHE,VNG,VNG1,VNG2,VX VXA,VXB,VXE,VXEB,V1,YJ |
| | | | 1 | - | - | 2179987 ----- | LHC,QHC,QXC |
| | | | - | - | 1 | | |
| 8 | 15721-ZE3-H00 | TUBE, BREATHER | 1 | - | - | ----- | LP |
| 9 | 16500-ZE2-702 | SWITCH, THERMO | 1 | - | - | ----- | EDS3,EDS5 |
| 10 | 17316-611-000 | CLIP, BREATHER TUBE | 2 | - | - | ----- | HAQ,LHC,QAQ,QDW9,QDW9/A,QHC,QNE9,QNE9/A,QWH2,QWH2/A,QXC,QXC/A QXC4,QXC4/A,QXC6,QXC6/A,QXC9,QXC9/A,SHT |
| | | | - | (2) | - | | |



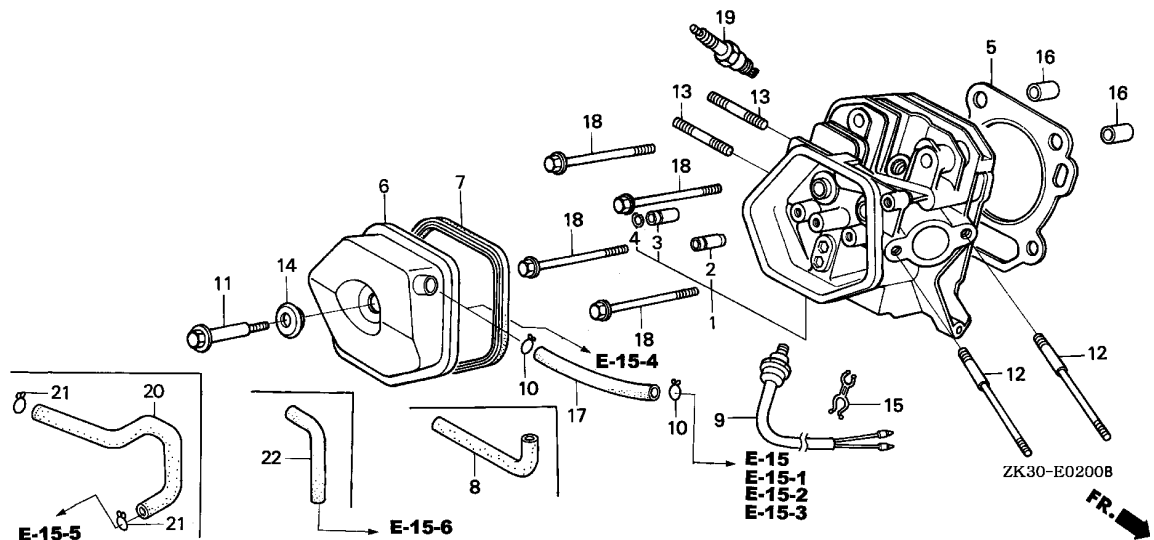


| Ref. No. | Part No. | Description | Reqd. QTY | | | Serial No. | Parts catalogue code |
|----------|---------------|---------------------------|-----------|-----|-----|------------|---|
| | | | GX | (1) | (2) | | |
| 11 | 90014-ZE2-000 | BOLT, HEAD COVER | 1 | 1 | 1 | | |
| 12 | 90042-ZE8-000 | BOLT, STUD, 8X131.5 | 2 | - | - | ----- | BJ, EDK, EDN5, EDN5/A, ED7, ED8, ED8/A, ED9, ED9/A, EN, ES, ES1, ES1/A, ES2, ET, ETS, ETX, HA, HAQ, HA2, HA2/A, HH, HX, HX2, HX26, HX26/A, LH, LH/A, LHB1, LHB3, LHB3/A, LHB5, LHC, LHE, LHE/A, LHQ4, LHQ4/A, LHW, LJ, LJ/A, LJG, LJG/A, LJS, LJS/A, LJS1, LKE, LKE/A, LSX, LT, LT/A, LWD, LWD1, LWD1/A, LX, LX/A, LXE, LXE/A, LXE2, LXE2/A, LXE4, LXE4/A, LXE6, LXE8, LXE8/A, LXQ4, LXQ4/A, LXU, LXU/A, LXZ, LXZ, LXZ/A, LX26, LX26/A, PKT2, PKT2/A, PKT4, PKT4/A, PKX2, PKX4, PKX4/A, PX, PX/A, PXA2, PXE8, PXE8/A, QA, QAB2, QAB2/A, QAC2, QAC2/A, QAE, QAE2, QAE2/A, QAE6, QAE6/A, QAG, QAG/A, QAH2, QAH2/A, QAP, QAPE, QAP2, QAP2/A, QAQ, QA2, QA2/A, QA26, QA26/A, QDW9, QDW9/A, QE, QE/A, QH, QH/A, QHB3, QHB3/A, QHB5, QHC, QHE, QHE/A, QHP1, QHP1/A, QHQ4, QHQ4/A, QH2, QKA4, QKA4/A, QL2, QME0, QME0/A, QME8, QME8/A, QMH, QMH/A, QMT2, QMT2/A, QMX2, QNE, QNE2, QNE2/A, QNE6, QNE9, QNE9/A, QNR2, QNR2/A, QNR6, QNR6/A, QN18, QP, QP/A, QPE2, QT, QT/A, QTC2, QTC2/A, QWH2, QWH2/A, QX, QX/A, QXB, QXB/A, QXB7, QXB7/A, QXC, QXC/A, QXC4, QXC4/A, QXC6, QXC6/A, QXC9, QXC9/A, QXE, QXE/A, QXEB, QXE2, QXE4, QXE4/A, QXE6, QXE6/A, QXE8, QXE8/A, QXQ4, QXQ4/A, QXU, QXU/A, QX2, SDE, SE, SE/A, SH, SH/A, SHB1, SHB3, SHB3/A, SHE, SHEZ, SHQ4, SHQ4/A, SHT, SJ, SJ/A, SJG, SJG/A, SKE, SKE/A, SKZ, SKZ/A, SMEO, SMEO/A, SME2, SMX2, SMX2/A, STJ, STJ/A, STP, STP/A, STQ, STQ/A, STR, STR/A, SWX, SWX/A, SX, SX/A, SXB, SXB/A, SXB7, SXB7/A, SXE, SXE/A, SXEB, SXEB/A, SXE2, SXE4, SXE4/A, SXE8, SXE8/A, SXP, SXQ4, SXQ4/A, SXU, SXU/A, VA, VAA, VAAE, VAD2, VAD2/A, VAH1, VAH2, VAW1, VA2, VA2/A, VDE, VDE2, VDE2/A, VD16, VE, VEB6, VH, VHE, VH12, VH12/A, VH22, VH22/A, VMX, VNG, VNG1, VNG2, VSH7, VWA, VWA2, VWC2, VWC2/A, VWE2, VWE2/A, VWS2, VWS2/A, VW12, VW12/A, VX, VX/A, VXA, VXB, VXB/A, VXB2, VXB7, VXB7/A, VXE, VXE/A, VXEB, VXEB/A, VXE2, VXE2/A, VXE4, VXE6, VXE7, VXE7/A, VXE8, VXE8/A, VXG, VXX, VXQ4, VXQ4/A, VXU, VXU/A, VXU1, VXU1/A, VX16, VX16/A, VX8, VX8/A, YJ, ZK1, ZK1/A |
| | 90042-ZE2-700 | BOLT, STUD, 8X98 | - | 2 | 2 | ----- | LP |

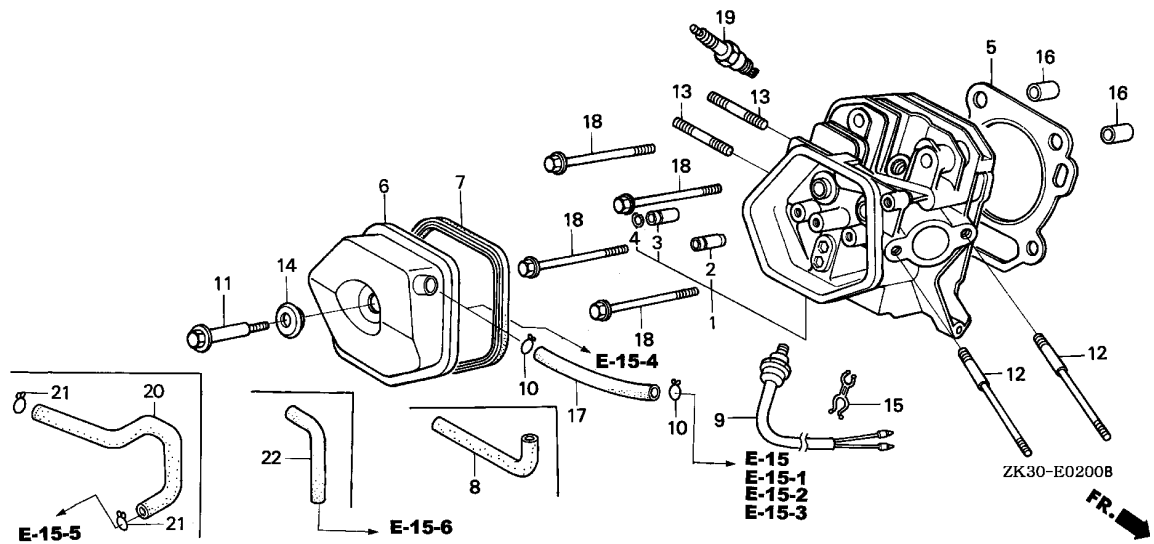


| Ref. No. | Part No. | Description | Reqd. QTY | | | Serial No. | Parts catalogue code |
|----------|----------------|--------------------------------|-----------|-----|-----|------------|---|
| | | | (1) | (2) | (3) | | |
| 12) | 90042-ZB7-000 | BOLT, STUD, 8X111 | 2 | - | - | ----- | EDS5 |
| | 90042-ZE3-700 | BOLT, STUD, 8X106 | 2 | - | - | ----- | EDE2,EDE2/A,EDN,EDN2,EDN2/A,EDS,EDS1,EDS1/A,EDS2,EDS2/A,EDS3,EDS4 EDS6,EDS6/A,EDT,EDT/A,EDT1,EDT1/A,EDT2,EDT3,EDT6,EDT6/A,ED6,ED6/A EMT,EMT/A,ENT,ENT/A,ENT2,EN6,EN6/A,ES3,ES3/A,ES4,ES4/A,VC2,VC2/A VMQ,VMT,VMT/A,VS2,VS3,VS4,VS5,VS6,VS7,VTE2,VWC,VWE |
| 13 | 90047-ZE2-000 | BOLT, STUD, 8X47 | 2 | 2 | - | ----- | BJ,EN,ES,ET,ETS,ETX,HA,HAQ,HH,HX,LHB1,LHC,LXZ,QA,QAE,QAP,QAPE,QAQ QHC,QH2,QNE,QNE6,QXEB,QX2,SHEZ,SHT,SME2,SXE2,SXP,VA,VAA,VAE,VAH1 VAH2,VAW1,VDE,VD16,VE,VEB6,VHE,VNG,VNG1,VNG2,VTE2,VWA,VXA,VXB2 VXE6,VXG,V1,YJ |
| | | | 2 | 2 | - | 3030997 | EDN,EDN5,EDS,EDS3,ED7,ED8,ED9,ES1,ES3,ES4,HX26,LH,LHB3,LHE,LHQ4 LHW,LKE,LXE,LXE4,LXE6,LXE8,LXQ4,LXU,LX26,L1,PKT4,PKX4,PX,PXE8 QAE6,QA26,QE,QH,QHB3,QHE,QHP1,QHQ4,QKA4,QMEO,QME8,QMH,QNR6,QP,QT QX,QXB,QXC4,QXC6,QXE,QXE4,QXE6,QXE8,QXQ4,QXU,SE,SH,SHB1,SHB3,SH SHQ4,SME0,SWX,SX,SXB,SXE,SXEB,SXE4,SXE8,SXQ4,SXU,VH,VMX,VX,VXB VXEB,VXE4,VXE8,VXQ4,VXU,VXU1,VX16,VX8 |
| | | | 2 | 2 | - | 3033461 | EDE2,EDN2,EDS1,EDS2,EDT1,EDT2,ED6,HA2,HX2,LJ,LJG,LSX,LX,LXE2,LX2 PKT2,P1,QAE2,QA2,QAP2,QA2,QDW9,QMT2,QMX2,QNE2,QNR2,QN18,QPE2 QTC2,QXC,QXC9,QXE2,Q1,SDE,SJ,SJG,SKE,SKZ,SMX2,STJ,STP,STQ,STR,S1 VAD2,VA2,VDE2,VH12,VH22,VWA2,VWC2,VWE2,VWS2,VW12,VXE,VXE2 |
| | 92900-08032-0E | BOLT, STUD, 8X32 | 2 | - | - | 3334263 | QNE9 |
| | | | 2 | 2 | - | ----- | EDE2/A,EDK,EDN2/A,EDN5/A,EDS1/A,EDS2/A,EDS4,EDS6,EDS6/A,EDT,EDT/A EDT1/A,EDT3,EDT6,EDT6/A,ED6/A,ED8/A,ED9/A,EMT,EMT/A,ENT,ENT/A ENT2,EN6,EN6/A,ES1/A,ES2,ES3/A,ES4/A,HA2/A,HX26/A,LH/A,LHB3/A LHB5,LHE/A,LHQ4/A,LJ/A,LJG/A,LJS,LJS/A,LJS1,LKE/A,LT,LT/A,LWD LWD1,LWD1/A,LX/A,LXE/A,LXE2/A,LXE4/A,LXE8/A,LXQ4/A,LXU/A,LX2/A LX26/A,L1/A,PKT2/A,PKT4/A,PKX2,PKX4/A,PX/A,PXA2,PXE8/A,P1/A,QAB2 QAB2/A,QAC2,QAC2/A,QAE2/A,QAE6/A,QAG,QAG/A,QA2/A,QAP2/A,QA2/A QA26/A,QDW9/A,QE/A,QH/A,QHB3/A,QHB5,QHE/A,QHP1/A,QHQ4/A,QKA4/A QL2,QMEO/A,QME8/A,QMH/A,QMT2/A,QNE2/A,QNE9/A,QNR2/A,QNR6/A,QP/A QT/A,QTC2/A,QWH2,QWH2/A,QX/A,QXB/A,QXB7,QXB7/A,QXC/A,QXC4/A QXC6/A,QXC9/A,QXE/A,QXE4/A,QXE6/A,QXE8/A,QXQ4/A,QXU/A,Q1/A,SE/A SH/A,SHB3/A,SHQ4/A,SJ/A,SJG/A,SKE/A,SKZ/A,SME0/A,SMX2/A,STJ/A STP/A,STQ/A,STR/A,SWX/A,SX/A,SXB/A,SXB7,SXB7/A,SXE/A,SXEB/A SXE4/A,SXE8/A,SXQ4/A,SXU/A,S1/A,VAD2/A,VA2/A,VC2,VC2/A,VE2/A VH12/A,VH22/A,VMQ,VMT,VMT/A,VSH7,VS2,VS3,VS4,VS5,VS6,VS7,VWC2/A VWE2/A,VWS2/A,VW12/A,VX/A,VXB/A,VXB7,VXB7/A,VXE/A,VXEB/A,VXE2/A VXE7,VXE7/A,VXE8/A,VXK,VXQ4/A,VXU/A,VXU1/A,VX16/A,VX8/A |
| | | | 2 | 2 | - | 3030998 | EDN,EDN5,EDS,EDS3,ED7,ED8,ED9,ES1,ES3,ES4,HX26,LH,LHB3,LHE,LHQ4 LHW,LKE,LXE,LXE4,LXE6,LXE8,LXQ4,LXU,LX26,L1,PKT4,PKX4,PX,PXE8 QAE6,QA26,QE,QH,QHB3,QHE,QHP1,QHQ4,QKA4,QMEO,QME8,QMH,QNR6,QP,QT QX,QXB,QXC4,QXC6,QXE,QXE4,QXE6,QXE8,QXQ4,QXU,SE,SH,SHB1,SHB3,SH SHQ4,SME0,SWX,SX,SXB,SXE,SXEB,SXE4,SXE8,SXQ4,SXU,VH,VMX,VX,VXB VXEB,VXE4,VXE8,VXQ4,VXU,VXU1,VX16,VX8 |
| | | | 2 | 2 | - | 3033462 | EDE2,EDN2,EDS1,EDS2,EDT1,EDT2,ED6,HA2,HX2,LJ,LJG,LSX,LX,LXE2,LX2 PKT2,P1,QAE2,QA2,QAP2,QA2,QDW9,QMT2,QMX2,QNE2,QNR2,QN18,QPE2 QTC2,QXC,QXC9,QXE2,Q1,SDE,SJ,SJG,SKE,SKZ,SMX2,STJ,STP,STQ,STR,S1 VAD2,VA2,VDE2,VH12,VH22,VWA2,VWC2,VWE2,VWS2,VW12,VXE,VXE2 |
| | | | 2 | - | - | 3334264 | QNE9 |
| | 92900-08022-0B | BOLT, STUD, 8X22 | 2 | - | - | ----- | ZK1,ZK1/A |
| | 90012-KM9-000 | BOLT, STUD, 8X34 | 2 | - | - | ----- | EDS5,LP |
| | 90047-ZE3-791 | BOLT, STUD, 8X40 | 2 | - | - | ----- | VWC,VWE |
| 14 | 90441-ZE2-010 | WASHER COMP., HEAD COVER | 1 | 1 | 1 | ----- | EDS3 |
| 15 | 90658-SA0-003 | CLIP, WIRE HARNESS | 1 | - | - | ----- | |
| 16 | 94301-12200 | DOWEL PIN, 12X20 | 2 | 2 | 2 | ----- | |





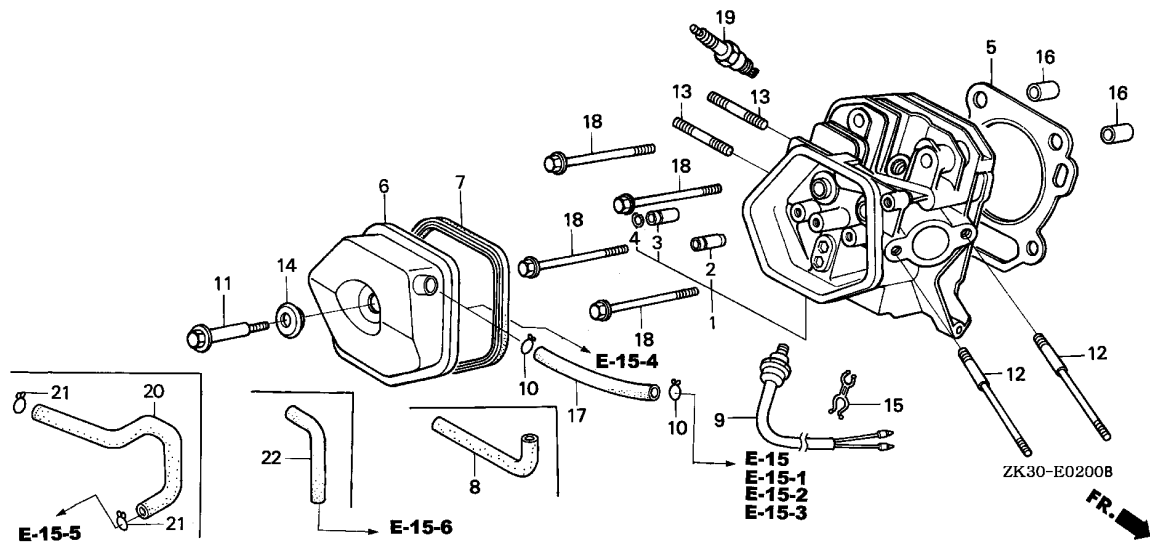
| Ref. No. | Part No. | Description | Reqd. QTY | | | Serial No. | Parts catalogue code |
|----------|----------------|-------------------------------|-----------|-------|-----|------------|---|
| | | | GX | 340K1 | | | |
| | | | (1) | (2) | (3) | | |
| 17 | 95005-11105-30 | TUBE, 11X105(95005-11001-30M) | 1 | - | - | ----- | BJ,EDK,EDN5,EDN5/A,EDT2,ED7,ED8,ED8/A,ED9,ED9/A,EN,ES,ES1,ES1/A,ES2,ET,ETS,ETX,HA,HA2,HA2/A,HH,HX,HX26,HX26/A,LH,LH/A,LHB1,LHB3,LHB3/A,LHB5,LHE,LHE/A,LHQ4,LHQ4/A,LHW,LJ,LJ/A,LJG,LJG/A,LJS,LJS/A,LJS1,LKE,LKE/A,LSX,LT,LT/A,LWD,LX,LX/A,LXE,LXE/A,LXE2,LXE2/A,LXE4,LXE4/A,LXE6,LXE8,LXE8/A,LXQ4,LXQ4/A,LXU,LXU/A,LXZ,LX2,LX2/A,LX26,LX26/A,PKT2,PKT2/A,PKT4,PKT4/A,PKX2,PKX4,PKX4/A,PX,PX/A,PXA2,PXE8,PXE8/A,QA,QAB2,QAB2/A,QAC2,QAC2/A,QAE,QAE2,QAE2/A,QAE6,QAE6/A,QAG,QAG/A,QA2,QA2/A,QAH2,QAH2/A,QAP,QAPE,QAP2,QAP2/A,QA2,QA2/A,QA26,QA26/A,QE,QE/A,QH,QH/A,QHB3,QHB3/A,QHB5,QHE,QHE/A,QHP1,QHP1/A,QHQ4,QHQ4/A,QKA4,QKA4/A,QL2,QMED,QMED/A,QME8,QME8/A,QMH,QMH/A,QMT2,QMT2/A,QMX2,QNE,QNE2,QNE2/A,QNE6,QNR2,QNR2/A,QNR6,QNR6/A,QN18,QP,QP/A,QT,QT/A,QTC2,QTC2/A,QX,QX/A,QXB,QXB/A,QXB7,QXB7/A,QXE,QXE/A,QXEB,QXE4,QXE4/A,QXE6,QXE6/A,QXE8,QXE8/A,QXQ4,QXQ4/A,QXU,QXU/A,SDE,SE,SE/A,SH,SH/A,SHB1,SHB3,SHB3/A,SHE,SHEZ,SHQ4,SHQ4/A,SJ,SJ/A,SJG,SJG/A,SKE,SKE/A,SKZ,SKZ/A,SME0,SME0/A,SME2,SMX2,SMX2/A,STJ,STJ/A,STP,STP/A,STQ,STQ/A,STR,STR/A,SWX,SWX/A,SX,SX/A,SXB,SXB/A,SXB7,SXB7/A,SXE,SXE/A,SXEB,SXEB/A,SXE2,SXE4,SXE4/A,SXE8,SXE8/A,SXP,SXQ4,SXQ4/A,SXU,SXU/A,VA,VAA,VAAE,VAD2,VAD2/A,VAH1,VAH2,VAW1,VA2,VA2/A,VDE,VDE2,VDE2/A,VD16,VE,VEB6,VH,VHE,VH12,VH12/A,VH22,VH22/A,VMX,VNG,VNG1,VNG2,VSH7,VWA,VWA2,VWC2,VWC2/A,VWE2,VWE2/A,VWS2,VWS2/A,VW12,VW12/A,VX,VX/A,VXA,VXB,VXB/A,VXB2,VXB7,VXB7/A,VXE,VXE/A,VXEB,VXEB/A,VXE2,VXE2/A,VXE4,VXE6,VXE7,VXE7/A,VXE8,VXE8/A,VXG,VXK,VXQ4,VXQ4/A,VXU,VXU/A,VXU1,VXU1/A,VX16,VX16/A,VX8,VX8/A,YJ |
| | 12315-ZE3-840 | TUBE, BREATHER | 1 | - | - | ----- | HAQ,HX2,LHC,QAQ,QDW9,QDW9/A,QHC,QH2,QNE9,QNE9/A,QPE2,QWH2,QWH2/A,QXC,QXC/A,QXC4,QXC4/A,QXC6,QXC6/A,QXC9,QXC9/A,QXE2,QX2,SHT |



| Ref. No. | Part No. | Description | Reqd. QTY | | | Serial No. | Parts catalogue code |
|----------|-------------|-------------------------------|-----------|-----|-----|------------|--|
| | | | GX | (1) | (2) | | |
| 19) | 98079-55846 | PLUG, SPARK (BPR5ES)(NGK) ... | 1 | - | - | ----- | EDN,EDS,EDS1,EDS1/A,EDS2,EDS2/A,EDS3,EDS4,EDS5,EDT,EDT/A,EDT1,EDT1/A,EDT2,EDT3,EMT,EMT/A,ENT,ENT/A,ENT2,EN6,EN6/A,LWD1,LWD1/A,SHT,STR,STR/A,VC2,VC2/A,VMQ,VMT,VMT/A,VS2,VS3,VS4,VS5,VS6,VS7,VTE2,VVC,VVE |

| Ref. No. | Part No. | Description | Reqd. QTY | | | Serial No. | Parts catalogue code |
|----------|-------------|-------------------------------|-----------|-----|-----|------------|---|
| | | | (1) | (2) | (3) | | |
| 19) | 98079-55846 | PLUG, SPARK (BPR5ES)(NGK) ... | 1 | - | - | 2582676 | ES3,ES4 |
| | | | (1) | - | - | ----- | ----- |
| | | | (1) | - | - | ----- | ----- |
| | | | | | | | EDE2, EDE2/A, EDK, EDN2, EDN2/A, EDN5/A, EDS6, EDS6/A, EDT6, EDT6/A, ED6 ED6/A, ED7, ED8, ED8/A, ED9, ED9/A, ES2, HA, HAQ, HA2, HA2/A, HH, HX, HX2, HX26 HX26/A, LH, LH/A, LHB1, LHB3, LHB3/A, LHB5, LHC, LHE, LHE/A, LHQ4, LHQ4/A LHW, LJ/A, LJG/A, LJS, LJS/A, LJS1, LKE, LKE/A, LX, LX/A, LXE, LXE/A, LXE2 LXE2/A, LXE4, LXE4/A, LXE6, LXE8, LXE8/A, LXQ4, LXQ4/A, LXU, LXU/A, LXZ, LX2 LX2/A, LX26, LX26/A, PKT2, PKT2/A, PKT4, PKT4/A, PKX2, PKX4, PKX4/A, PX PX/A, PXA2, PXE8, PXE8/A, QA, QAB2, QAB2/A, QAC2, QAC2/A, QAE, QAE2, QAE2/A QAE6, QAE6/A, QAG, QAG/A, QAH2, QAH2/A, QAP, QAPE, QAP2, QAP2/A, QAQ, QAZ QAZ/A, QA26, QA26/A, QDW9, QDW9/A, QE, QE/A, QH, QH/A, QHB3, QHB3/A, QHB5 QHC, QHE, QHE/A, QHP1, QHP1/A, QHQ4, QHQ4/A, QH2, QKA4, QKA4/A, QL2, QMEO/A QME8, QME8/A, QMH, QMH/A, QMT2, QMT2/A, QMX2, QNE, QNE2, QNE2/A, QNE6, QNE9 QNE9/A, QNR2, QNR2/A, QNR6, QNR6/A, QN18, QP, QP/A, QPE2, QTC2, QTC2/A, QWH2 QWH2/A, QX, QX/A, QXB, QXB/A, QXB7, QXB7/A, QXC, QXC/A, QXC4, QXC4/A, QXC6 QXC6/A, QXC9, QXC9/A, QXE, QXE/A, QXEB, QXE2, QXE4, QXE4/A, QXE6, QXE6/A QXE8, QXE8/A, QXQ4, QXQ4/A, QXU, QXU/A, QX2, SDE, SE, SE/A, SH, SH/A, SHB1 SHB3, SHB3/A, SHE, SHEZ, SHQ4, SHQ4/A, SJ/A, SJG/A, SKE/A, SKZ/A, SMEO/A SME2, SMX2, SMX2/A, STP, STP/A, STQ, STQ/A, SWX, SWX/A, SX, SX/A, SXB, SXB/A SXB7, SXB7/A, SXE, SXE/A, SXEB, SXEB/A, SXE2, SXE4, SXE4/A, SXE8, SXE8/A SXP, SXQ4, SXQ4/A, SXU, SXU/A, VA, VAA, VAAE, VAD2, VAD2/A, VAH1, VAH2, VAW1 VA2, VA2/A, VDE, VDE2, VDE2/A, VD16, VE, VEB6, VH, VHE, VH12, VH12/A, VH22 VH22/A, VMX, VNG, VNG1, VNG2, VSH7, VWA, VWA2, VWC2, VWC2/A, VWE2, VWE2/A VWS2, VWS2/A, VW12, VW12/A, VX, VX/A, VXA, VXB, VXB/A, VXB2, VXB7, VXB7/A VXE, VXE/A, VXEB, VXEB/A, VXE2, VXE2/A, VXE4, VXE6, VXE7, VXE7/A, VXE8 VXE8/A, VXG, VXC, VXQ4, VXQ4/A, VXU, VXU/A, VXU1, VXU1/A, VX16, VX16/A, VX8 VX8/A (1) - - 3032024 ----- EDN5, LJ, LJG, QMEO, SJ, SJG, SKE, SKZ, SMEO (1) - - ----- 2582676 ES1 - (1) (1) 1 - - ----- ES3/A, ES4/A 1 - - 2582677 ----- ES3, ES4 (1) - - ----- BJ, EN, ES, ES1/A, ET, ETS, ETX, LP, LSX, LT, LT/A, LWD, QT, QT/A, STJ, STJ/A STR, STR/A, YJ (1) - - 2582677 ----- ES1 (1) - - ----- 3032023 EDN5, LJ, LJG, SJ, SJG, SKE, SKZ - (1) - |
| | 98079-55854 | PLUG, SPARK (W16EP-U)(DENSO) | 1 | - | - | | ES3/A, ES4/A |
| | | | 1 | - | - | 2582677 | ES3, ES4 |
| | | | (1) | - | - | ----- | ----- |
| | | | (1) | - | - | ----- | ----- |
| | | | (1) | - | - | 2582677 | ES1 |
| | | | (1) | - | - | 3032023 | EDN5, LJ, LJG, SJ, SJG, SKE, SKZ |
| | | | - | (1) | - | | |

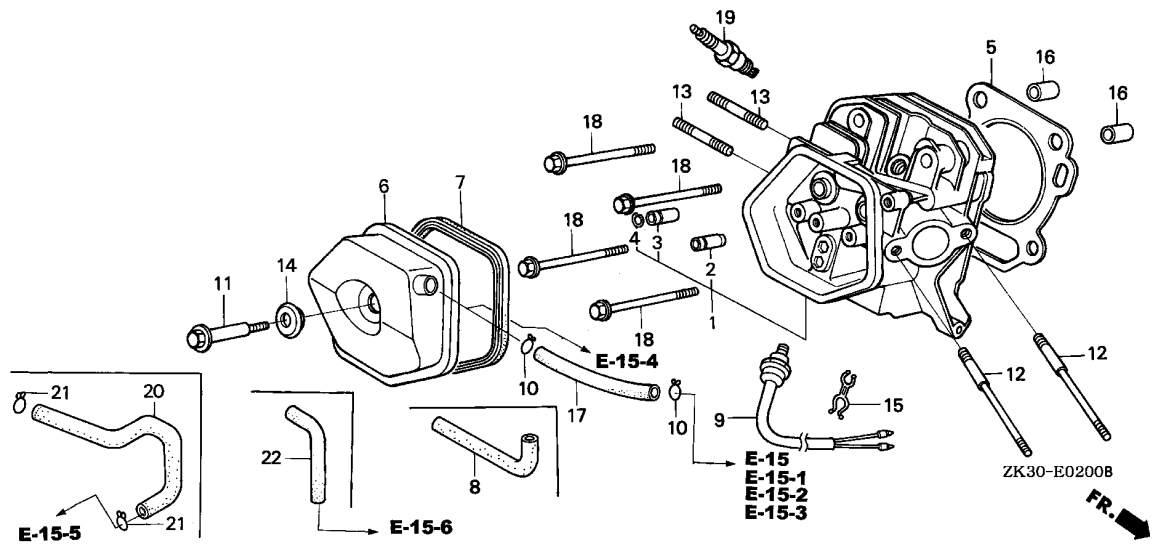




| Ref. No. | Part No. | Description | Reqd. QTY | | | Serial No. | Parts catalogue code |
|----------|-------------|--------------------------------|-----------|-----|-----|------------|--|
| | | | GX | (1) | (2) | | |
| 19) | 98079-55855 | PLUG, SPARK (W16EPR-U) (DENSO) | 1 | - | - | ----- | EDE2,EDE2/A,EDN,EDN2,EDN2/A,EDS,EDS1,EDS1/A,EDS2,EDS2/A,EDS3,EDS4,EDS5,EDS6,EDS6/A,EDT,EDT/A,EDT1,EDT1/A,EDT2,EDT3,EDT6,EDT6/A,ED6,ED6/A,EMT,EMT/A,ENT,ENT/A,ENT2,EN6,EN6/A,LWD1,LWD1/A,SHT,STR,STR/A,VC2,VC2/A,VMQ,VMT,VMT/A,VS2,VS3,VS4,VS5,VS6,VS7,VTE2,VWC,VWE |

| Ref. No. | Part No. | Description | Reqd. QTY | | | Serial No. | Parts catalogue code |
|----------|-------------|---------------------------------|-----------|-----|-----|------------|---|
| | | | (1) | (2) | (3) | | |
| 19) | 98079-55855 | PLUG, SPARK (W16EPR-U) (DENSO) | 1 | - | - | 2582676 | ES3,ES4 |
| | | | (1) | - | - | | EDK,EDN5/A,ED7,ED8,ED8/A,ED9,ED9/A,ES2,HH,HX,HX2,HX26,HX26/A,LH |
| | | | (1) | - | - | | LH/A,LHB1,LHB3,LHB3/A,LHB5,LHC,LHE,LHE/A,LHQ4,LHQ4/A,LHW,LJ/A |
| | | | | | | | LJG/A,LJS,LJS/A,LJS1,LKE,LKE/A,LX,LX/A,LXE,LXE/A,LXE2,LXE2/A,LXE4 |
| | | | | | | | LXE4/A,LXE6,LXE8,LXE8/A,LXQ4,LXQ4/A,LXU,LXU/A,LXZ,LX2,LX2/A,LX26 |
| | | | | | | | LX26/A,PKT2,PKT2/A,PKT4,PKT4/A,PKX2,PKX4,PKX4/A,PX,PX/A,PXA2,PXE8 |
| | | | | | | | PXE8/A,QA,QAB2,QAB2/A,QAC2,QAC2/A,QAE,QAE2,QAE2/A,QAE6,QAE6/A,QAG |
| | | | | | | | QAG/A,QAQ2,QAQ2/A,QAP,QAPE,QAP2,QAP2/A,QAQ,QA2,QA2/A,QA26,QA26/A |
| | | | | | | | QDW9,QDW9/A,QE,QE/A,QH,QH/A,QHB3,QHB3/A,QHB5,QHC,QHE,QHE/A,QHP1 |
| | | | | | | | QHP1/A,QHQ4,QHQ4/A,QH2,QKA4,QKA4/A,QL2,QMEO,QMEO/A,QME8,QME8/A |
| | | | | | | | QMH,QMH/A,QMT2,QMT2/A,QMX2,QNE,QNE2,QNE2/A,QNE6,QNE9,QNE9/A,QNR2 |
| | | | | | | | QNR2/A,QNR6,QNR6/A,QN18,QP,QP/A,QPE2,QTC2,QTC2/A,QWH2,QWH2/A,QX |
| | | | | | | | QX/A,QXB,QXB/A,QXB7,QXB7/A,QXC,QXC/A,QXC4,QXC4/A,QXC6,QXC6/A,QXC9 |
| | | | | | | | QXC9/A,QXE,QXE/A,QXEB,QXE2,QXE4,QXE4/A,QXE6,QXE6/A,QXE8,QXE8/A |
| | | | | | | | QXQ4,QXQ4/A,QXU,QXU/A,QX2,SDE,SE,SE/A,SH,SH/A,SHB1,SHB3,SHB3/A |
| | | | | | | | SHE,SHEZ,SHQ4,SHQ4/A,SJ/A,SJG/A,SKE/A,SKZ/A,SMEO,SMEO/A,SME2,SMX2 |
| | | | | | | | SMX2/A,STP,STP/A,STQ,STQ/A,SX,SX/A,SXB,SXB/A,SXB7,SXB7/A,SXE |
| | | | | | | | SXE/A,SXEB,SXEB/A,SXE2,SXE4,SXE4/A,SXE8,SXE8/A,SXP,SXQ4,SXQ4/A |
| | | | | | | | SXU,SXU/A,VA,VAA,VAAE,VAD2,VAD2/A,VAH1,VAH2,VAW1,VA2,VA2/A,VDE |
| | | | | | | | VDE2,VDE2/A,VD16,VE,VEB6,VH,VHE,VH12,VH12/A,VH22,VH22/A,VMX,VNG |
| | | | | | | | VNG1,VNG2,VSH7,VWA,VWA2,VWC2,VWC2/A,VWE2,VWE2/A,VWS2,VWS2/A,VW12 |
| | | | | | | | VW12/A,VX,VX/A,VXA,VXB,VXB/A,VXB2,VXB7,VXB7/A,VXE,VXE/A,VXEB |
| | | | | | | | VXEB/A,VXE2,VXE2/A,VXE4,VXE6,VXE7,VXE7/A,VXE8,VXE8/A,VXG,VXK,VXQ4 |
| | | | | | | | VXQ4/A,VXU,VXU/A,VXU1,VXU1/A,VX16,VX16/A,VX8,VX8/A |
| | | | | | | | EDN5,LJ,LJG,SJ,SJG,SKE,SKZ |
| | | | (1) | - | - | 3032024 | ----- |
| | | | (1) | - | - | 2582676 | ES1 |
| | | | - | (1) | (1) | | |
| | 98079-56841 | PLUG, SPARK (BP6ES) (NGK) | 1 | - | - | | BJ,EN,ES,ES1/A,ET,ETS,ETX,LP,LSX,LT,LT/A,LWD,STJ,STJ/A,YJ |
| | | | 1 | - | - | 2427099 | ----- |
| | | | 1 | - | - | 2593056 | ----- |
| | | | 1 | - | - | | ES1 |
| | | | 1 | - | - | 3032023 | EDN5,LJ,LJG,QHB3,SDE,SJ,SJG,SKE,SKZ |
| | | | - | (1) | - | | |

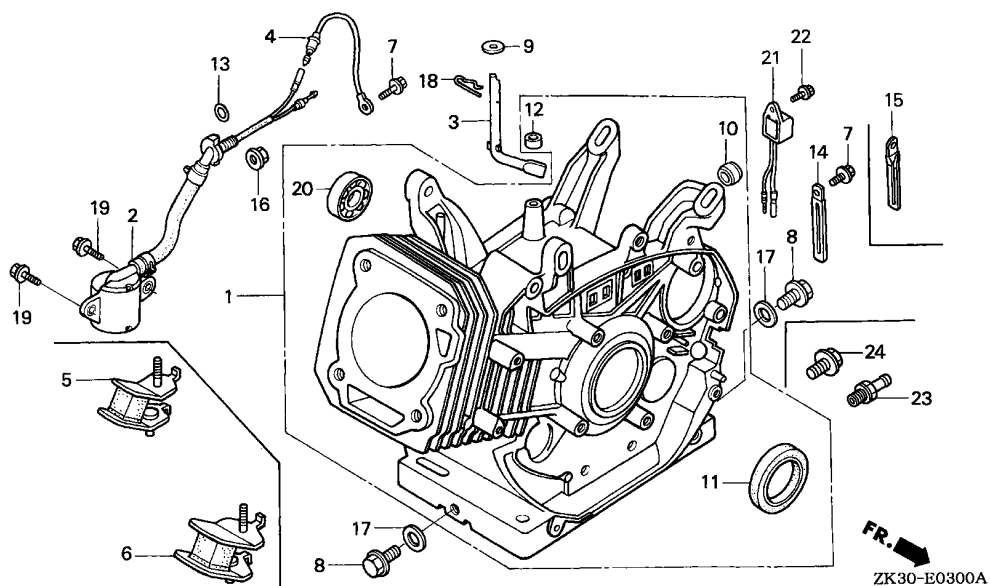




| Ref. No. | Part No. | Description | Reqd. QTY | | | Serial No. | Parts catalogue code |
|----------|-------------|-------------------------------|-----------|-----|-----|------------|---|
| | | | GX | (1) | (2) | | |
| 19) | 98079-56846 | PLUG, SPARK (BPR6ES)(NGK) ... | 1 | - | - | ----- | EDK,EDN5/A,ED7,ED8,ED8/A,ED9,ED9/A,ES2,HA,HAQ,HA2,HA2/A,HH,HX,HX2 HX26,HX26/A,LH,LH/A,LHB3,LHB3/A,LHB5,LHC,LHE,LHE/A,LHQ4,LHQ4/A LHW,LJ/A,LJG/A,LJS,LJS/A,LJS1,LKE,LKE/A,LX,LX/A,LXE,LXE/A,LXE2 LXE2/A,LXE4,LXE4/A,LXE6,LXE8,LXE8/A,LXQ4,LXQ4/A,LXU,LXU/A,LXZ,LXZ LX2/A,LX26,LX26/A,PKT2,PKT2/A,PKT4,PKT4/A,PKX2,PKX4,PKX4/A,PX PX/A,PXA2,PXE8,PXE8/A,QA,QAB2,QAB2/A,QAC2,QAC2/A,QAE,QAE2,QAE2/A QAE6,QAE6/A,QAG,QAG/A,QA2,QA2/A,QAH2,QAH2/A,QAP,QAPE,QAP2,QAP2/A,QAQ,QA2 QA2/A,QA26,QA26/A,QDW9,QDW9/A,QE,QE/A,QH,QH/A,QHB3/A,QHB5,QHC,QHE QHE/A,QHP1,QHP1/A,QHQ4,QHQ4/A,QH2,QKA4,QKA4/A,QL2,QMEO,QMEO/A QME8,QME8/A,QMH,QMH/A,QMT2,QMT2/A,QMX2,QNE,QNE2,QNE2/A,QNE6,QNE9 QNE9/A,QNR2,QNR2/A,QNR6,QNR6/A,QN18,QP,QP/A,QPE2,QTC2,QTC2/A,QWH2 QWH2/A,QX,QX/A,QXB,QXB/A,QXB7,QXB7/A,QXC,QXC/A,QXC4,QXC4/A,QXC6 QXC6/A,QXC9,QXC9/A,QXE,QXE/A,QXEB,QXE2,QXE4,QXE4/A,QXE6,QXE6/A QXE8,QXE8/A,QXQ4,QXQ4/A,QXU,QXU/A,QX2,SE,SE/A,SH,SH/A,SHB3,SHB3/A SHE,SHEZ,SHQ4,SHQ4/A,SJ/A,SJG/A,SKE/A,SKZ/A,SME0,SME0/A,SME2,SMX2 SMX2/A,STP,STP/A,STQ,STQ/A,SX,SX/A,SXB,SXB/A,SXB7,SXB7/A,SXE SXE/A,SXEB,SXEB/A,SXE2,SXE4,SXE4/A,SXE8,SXE8/A,SXP,SXQ4,SXQ4/A SXU,SXU/A,VA,VAA,VAAE,VAD2,VAD2/A,VAH1,VAH2,VAW1,VA2,VA2/A,VDE VDE2,VDE2/A,VD16,VE,VEB6,VH,VHE,VH12,VH12/A,VH22,VH22/A,VMX,VNG VNG1,VNG2,VSH7,VWA,VWA2,VWC2,VWC2/A,VWE2,VWE2/A,VWS2,VWS2/A,VW12 VW12/A,VX,VX/A,VXA,VXB,VXB/A,VXB2,VXB7,VXB7/A,VXE,VXE/A,VXEB VXEB/A,VXE2,VXE2/A,VXE4,VXE6,VXE7,VXE7/A,VXE8,VXE8/A,VXG,VXK,VXQ4 VXQ4/A,VXU,VXU/A,VXU1,VXU1/A,VX16,VX16/A,VX8,VX8/A,ZK1,ZK1/A 1 - - - 3032024 ----- EDN5,LJ,LJG,QHB3,SDE,SJ,SJG,SKE,SKZ 1 - - - ----- 2427098 LHB1,SHB1 1 - - - ----- 2593055 ES1 - (1) 1 |

| Ref. No. | Part No. | Description | Reqd. QTY | | | Serial No. | Parts catalogue code | |
|----------|--------------------------------|--------------------------------|-----------|-----|---|------------|---|--|
| | | | (1) | (2) | (3) | | | |
| 19) | 98079-56854 | PLUG, SPARK (W20EP-U) (DENSO) | 1 | - | - | ----- | BJ,EN,ES,ES1/A,ET,ETS,ETX,LP,LSX,LT,LT/A,LWD,QT,QT/A,STJ,STJ/A,YJ | |
| | | | 1 | - | - | 2427099 | ----- | LHB1,SHB1 |
| | | | 1 | - | - | 2593056 | ----- | ES1 |
| | | | 1 | - | - | 3032023 | ----- | EDN5,LJ,LJG,QHB3,SDE,SJ,SJG,SKE,SKZ |
| | | | - | (1) | - | ----- | ----- | |
| | 98079-56855 | PLUG, SPARK (W20EPR-U) (DENSO) | 1 | - | - | ----- | EDK,EDN5/A,ED7,ED8,ED8/A,ED9,ED9/A,ES2,HA,HAQ,HA2,HA2/A,HH,HX,HX2 | |
| | | | | | | | | HX26,HX26/A,LH,LH/A,LHB3,LHB3/A,LHB5,LHC,LHE,LHE/A,LHQ4,LHQ4/A |
| | | | | | | | | LHW,LJ/A,LJG/A,LJS,LJS/A,LJS1,LKE,LKE/A,LX,LX/A,LXE,LXE/A,LXE2 |
| | | | | | | | | LX2/A,LX26,LX26/A,PKT2,PKT2/A,PKT4,PKT4/A,PKX2,PKX4,PKX4/A,PX |
| | | | | | | | | PX/A,PXA2,PXE8,PXE8/A,QA,QAB2,QAB2/A,QAC2,QAC2/A,QAQ,QAQ2,QAQ2/A |
| | | | | | QA2/A,QA26,QA26/A,QDW9,QDW9/A,QE,QE/A,QH,QH/A,QHB3/A,QHB5,QHC,QHE | | | |
| | | | | | QHE/A,QHP1,QHP1/A,QHQ4,QHQ4/A,QH2,QKA4,QKA4/A,QL2,QME8,QME8/A,QMH | | | |
| | | | | | QMH/A,QMT2,QMT2/A,QMX2,QNE,QNE2,QNE2/A,QNE6,QNE9,QNE9/A,QNR2 | | | |
| | | | | | QNR2/A,QNR6,QNR6/A,QN18,QP,QP/A,QPE2,QTC2,QTC2/A,QWH2,QWH2/A,QX | | | |
| | | | | | QX/A,QXB,QXB/A,QXB7,QXB7/A,QXC,QXC/A,QXC4,QXC4/A,QXC6,QXC6/A,QXC9 | | | |
| | | | | | QXC9/A,QXE,QXE/A,QXEB,QXE2,QXE4,QXE4/A,QXE6,QXE6/A,QXE8,QXE8/A | | | |
| | | | | | QXQ4,QXQ4/A,QXU,QXU/A,QX2,SE,SE/A,SH,SH/A,SHB3,SHB3/A,SHE,SHEZ | | | |
| | | | | | SHQ4,SHQ4/A,SJ/A,SJG/A,SKE/A,SKZ/A,SME2,SMX2,SMX2/A,STP,STP/A,STQ | | | |
| | | | | | STQ/A,SWX,SWX/A,SX,SX/A,SXB,SXB/A,SXB7,SXB7/A,SXE,SXE/A,SXEB | | | |
| | | | | | SXEB/A,SXE2,SXE4,SXE4/A,SXE8,SXE8/A,SXP,SXQ4,SXQ4/A,SXU,SXU/A,VA | | | |
| | | | | | VAA,VAAE,VAD2,VAD2/A,VAH1,VAH2,VAW1,VA2,VA2/A,VDE,VDE2,VDE2/A | | | |
| | | | | | VD16,VE,VEB6,VH,VHE,VH12,VH12/A,VH22,VH22/A,VMX,VNG,VNG1,VNG2 | | | |
| | | | | | VSH7,VWA,VWA2,VWC2,VWC2/A,VWE2,VWE2/A,VWS2,VWS2/A,VW12,VW12/A,VX | | | |
| | | | | | VX/A,VXA,VXB,VXB/A,VXB2,VXB7,VXB7/A,VXE,VXE/A,VXEB,VXEB/A,VXE2 | | | |
| | | | | | VXE2/A,VXE4,VXE6,VXE7,VXE7/A,VXE8,VXE8/A,VXG,VXK,VXQ4,VXQ4/A,VXU | | | |
| | | | | | VXU/A,VXU1,VXU1/A,VX16,VX16/A,VX8,VX8/A,ZK1,ZK1/A | | | |
| | | | 1 | - | - | 3032024 | ----- | EDN5,LJ,LJG,QHB3,SDE,SJ,SJG,SKE,SKZ |
| | | | 1 | - | - | 2427098 | ----- | LHB1,SHB1 |
| | | | 1 | - | - | 2593055 | ----- | ES1 |
| | | | (1) | - | - | ----- | ----- | QME0/A,SMEO/A |
| | | | (1) | - | - | 3032024 | ----- | QME0,SMEO |
| | | | - | (1) | 1 | ----- | ----- | |
| 20 | 15721-ZE3-L60 15721-ZE3-L61 | TUBE, BREATHER | 1 | - | - | ----- | 2483825 | ZK1 |
| | | | 1 | - | - | ----- | ----- | ZK1/A |
| | | | 1 | - | - | 2483826 | ----- | ZK1 |
| 21 | 15772-292-010 | CLIP, BREATHER TUBE | 2 | - | - | ----- | ----- | ZK1,ZK1/A |
| | | | 2 | - | - | ----- | ----- | LWD1,LWD1/A |
| 22 | 15721-ZE3-H00 | TUBE, BREATHER | 1 | - | - | ----- | ----- | |





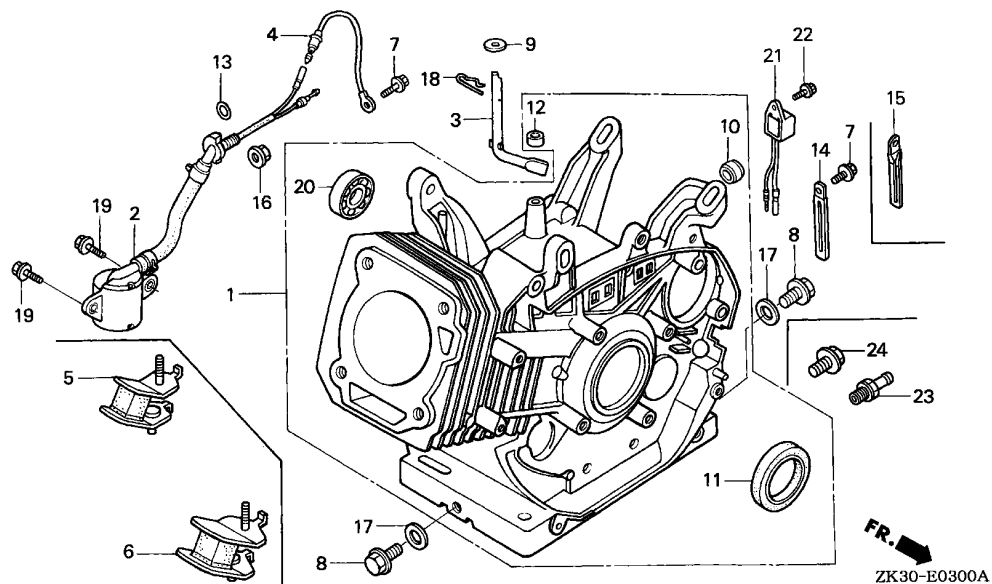
| Ref. No. | L.O.N. | (Relative ref. Number) Description | F.R.T. |
|----------|--------|--|--------|
| 1 | 1101A0 | BARREL, CYLINDER | 1.8 |
| 2 | | (13) | |
| | 6151E8 | SWITCH, OIL LEVEL | 0.5 |
| | 3 | 1161B4 SHAFT, GOVERNOR ARM | 0.9 |
| | 4 | 6111E5 SUB HARNESS, OIL LEVEL SWITCH | 0.1 |
| | 11 | 1101E4 OIL SEAL, CRANKSHAFT :FRONT .. | 1.8 |
| | 12 | 1101C4 OIL SEAL, GOVERNOR ARM SHAFT .. | 0.9 |
| | 17 | 1101D5 WASHER, DRAIN PLUG | 0.1 |
| | 20 | 1101F4 BEARING, BALANCER WEIGHT :FRONT | 1.9 |
| | 21 | 6151A0 ALERT UNIT, ENGINE OIL | 0.1 |

2

| Ref. No. | Part No. | Description | Reqd. QTY | | | Serial No. | Parts catalogue code |
|----------|---------------|--------------------------------|-----------|-----|-----|------------|---|
| | | | GX | (1) | (2) | | |
| 1 | 120A0-ZE3-040 | BARREL ASSY., CYLINDER (STD.) | 1 | (1) | - | 2137033 | BJ,EN,ES,ET,HH,LH,LHC,LJ,L1,P1,QE,QH,QHC,QP,QT,Q1,SE,SH,SJ,STP STQ,S1,VE,VH,V1,YJ |
| | 120A0-ZE3-050 | | 1 | - | - | 2251538 | ED8 |
| | | | 1 | - | - | 2137034 | 2249245 BJ,LJ,SJ,STP,STQ,YJ |
| | | | 1 | - | - | 2137034 | 2251538 ES,HH,LH,LHC,QE,QH,QHC,QP,QT,SE,SH,VE,VH |
| | | | 1 | - | - | 2137034 | 2326583 EN,ET |
| | 12000-ZE3-060 | | 1 | (1) | - | | L1,P1,Q1,S1,V1 |
| | | | 1 | - | - | | LHB1,LHW,QH2,VTE2 |
| | | | 1 | - | - | 2249246 | BJ,YJ |
| | | | 1 | - | - | 2251539 | ES,HH,LHC,QHC,VE,VH |
| | | | 1 | - | - | 2326584 | EN,ET |
| | | | 1 | - | - | 3105642 | QKA4 |
| | | | 1 | - | - | 3334263 | LHB3,LHQ4,LJG,LT,QHB3,QHP1,QHQ4,QMH,SHB1,SHB3,SHQ4,SJG,SKZ,STR |
| | | | 1 | - | - | 2249246 | 3334263 LJ,SJ,STP,STQ |
| | | | 1 | - | - | 2251539 | 3334263 ED8,LH,QE,QH,QP,QT,SE,SH |
| | 12000-ZE3-070 | | 1 | - | - | | LJS |
| | | | 1 | - | - | 3334264 | SHB1 |
| | 12000-ZE3-080 | | 1 | - | - | 3334264 | ED8,LH,LHB3,LHQ4,LJ,LJG,LT,QE,QH,QHB3,QHP1,QHQ4,QMH,QP,QT,SE,SH SHB3,SHQ4,SJ,SJG,SKZ,STP,STQ,STR |
| | 120A0-ZE3-W00 | BARREL ASSY., CYLINDER | - | (1) | - | 2249751 | L1,P1,Q1,S1,V1 |
| | 12000-ZE3-W01 | | 1 | - | - | 2280087 | LP |
| | 120A0-ZE3-814 | BARREL ASSY., CYLINDER (ALERT) | 1 | (1) | - | 2280088 | LP |
| | | | 1 | (1) | - | 2166657 | ED6,ES1,ES3,ETX,HA,HX,LX,LXZ,L1,PX,P1,QA,QAP,QX,QXB,QXC,Q1,SWX,SX SXB,SXP,S1,VA,VAA,VNG,VNG1,VX,VXA,VXB,V1 |

| Ref. No. | Part No. | Description | Reqd. QTY | | | Serial No. | Parts catalogue code |
|----------|---------------|---|-----------|-----|-----|------------|---|
| | | | (1) | (2) | (3) | | |
| (1) | 120A0-ZE3-815 | BARREL ASSY., CYLINDER (ALERT) | 1 | - | - | 2248168 | EDN,ED9 |
| | | | 1 | - | - | 2252129 | VAH1 |
| | | | 1 | - | - | 2262918 | HAQ,QAQ |
| | | | 1 | - | - | 2166658 | 2248168 ED6,ES1,ES3,ETX,HX,LXZ,PX,QX,QXB,SWX,SX, SXB,VAA,VNG,VNG1,VX,VXB |
| | | | 1 | - | - | 2166658 | 2252129 HA,LX,QA,QAP,QXC,SXP,VA,VXA |
| | | | - | (1) | - | 2166658 | 2249750 L1,P1,Q1,S1,V1 |
| | 12000-ZE3-816 | | 1 | (1) | - | ----- | EDT2,HX2,LSX,L1/A,P1/A,QMX2,QX2,Q1/A,SHT,S1/A,VAW1,VDE,VD16,VMX VXB2,VXG |
| | | | 1 | - | - | 2248169 | ----- EDN,ETX,HX,LXZ,VAA,VNG,VNG1 |
| | | | 1 | - | - | 2252130 | ----- HA,QA,QAP,SXP,VA,VAH1,VXA |
| | | | 1 | - | - | 2262919 | ----- HAQ,QAQ |
| | | | 1 | - | - | 3334263 | EDN2,EDN5,EDT1,HA2,HX26,LXQ4,LXU,LX2,LX26,PKT2,PKT4,PKX4,QAB2 QAH2,QAP2,QA2,QA26,QDW9,QMT2,QT2,QXC4,QXC6,QXC9,QXQ4,QXU,SMX2 SXQ4,SXU,VAD2,VA2,VDE2,VH12,VWC2,VW12,VXQ4,VXU,VX16,VX8 |
| | | | 1 | - | - | 2248169 | 3334263 ED6,ED9,ES1,ES3,PX,QX,QXB,SWX,SX,SXB,VX,VXB |
| | | | 1 | - | - | 2252130 | 3334263 LX,QXC |
| | | | 1 | - | - | 3105643 | 3334263 QKA4 |
| | | | - | (1) | - | 2249751 | ----- L1,P1,Q1,S1,V1 |
| | 120A0-ZE3-824 | BARREL ASSY., CYLINDER (SELFSTARTER+ALERT) | 1 | (1) | - | ----- | 2137768 ETS,LKE,LXE,L1,P1,QAE,QAPE,QNE,QXE,QXEB,Q1,STJ,SXE,SXEB,S1,VAAE VNG2,VXE,VXEB,V1 |
| | 120A0-ZE3-825 | | 1 | - | - | ----- | 2250345 EDS,ES4,VAH2,VWA |
| | | | 1 | - | - | ----- | 2288955 QNE9 |
| | | | 1 | - | - | 2137769 | 2250345 ETS,LKE,LXE,QAE,QAPE,QNE,QXE,QXEB,SXE,SXEB,VAAE,VNG2,VXE,VXEB |
| | | | 1 | - | - | 2137769 | 2357309 STJ |
| | | | - | (1) | - | 2137769 | 2249750 L1,P1,Q1,S1,V1 |
| | 12000-ZE3-415 | BARREL ASSY., CYLINDER (STD.) | 1 | 1 | - | ----- | ED8/A,LH/A,LHB3/A,LHB5,LHQ4/A,LJ/A,LJG/A,LJS/A,LJS1,LT/A,L1/A P1/A,QE/A,QH/A,QHB3/A,QHB5,QHP1/A,QHQ4/A,QMH/A,QP/A,QT/A,Q1/A SE/A,SH/A,SHB3/A,SHQ4/A,SJ/A,SJG/A,SKZ/A,STP/A,STQ/A,STR/A,S1/A EDK,EDN2/A,EDN5/A,EDT1/A,EDT3,EDT6/A,ED6/A,ED9/A,EMT,EMT/A,EN6/A ES1/A,ES2,ES3/A,HA2/A,HX26/A,LX/A,LXQ4/A,LXU/A,LX2/A,LX26/A PKT2/A,PKT4/A,PKX2,PKX4/A,PX/A,PXA2,QAB2/A,QAC2/A,QAG/A,QAH2/A QAP2/A,QA2/A,QA26/A,QDW9/A,QKA4/A,QMT2/A,QT2/A,QWH2/A,QX/A,QXB/A QXB7/A,QXC/A,QXC4/A,QXC6/A,QXC9/A,QXQ4/A,QXU/A,SMX2/A,SWX/A,SX/A SXB/A,SXB7/A,SXQ4/A,SXU/A,VAD2/A,VA2/A,VC2/A,VDE2/A,VH12/A,VSH7 VS2,VS3,VS4,VWC,VWC2/A,VW12/A,VX/A,VXB/A,VXB7/A,VXK,VXQ4/A,VXU/A VX16/A,VX8/A |
| | 12000-ZE3-416 | BARREL ASSY., CYLINDER (ALERT) | 1 | - | - | ----- | ED2/A,EDS1/A,EDS2/A,EDS4,EDS6/A,EDT/A,ENT/A,ENT2,ES4/A,LKE/A LXE/A,LXE2/A,LXE4/A,LXE8/A,PXE8/A,QAE2/A,QAE6/A,QMEO/A,QME8/A QNE2/A,QNE9/A,QNR2/A,QNR6/A,QXE/A,QXE4/A,QXE6/A,QXE8/A,SME0/A STJ/A,SXE/A,SXEB/A,SXE4/A,SXE8/A,VH22/A,VMQ,VMT/A,VS5,VS6,VS7,VWE VWE2/A,VWS2/A,VXE/A,VXEB/A,VXE2/A,VXE7/A,VXE8/A,VXU1/A |
| | 12000-ZE3-417 | BARREL ASSY., CYLINDER (SELFSTARTER+ALERT) | 1 | - | - | ----- | LHE/A,LWD,LWD1/A,QHE/A,SKE/A,ZK1/A |
| | 12000-ZE3-418 | BARREL ASSY., CYLINDER (SELF-STARTER) | 1 | - | - | ----- | EDT6,EMT,EN6,QAC2,QAG,QWH2,QXB7,SXB7,VC2,VXB7 |
| | 12000-ZE3-818 | BARREL ASSY., CYLINDER (ALERT) | 1 | - | - | 3334264 | ----- EDN2,EDN5,EDT1,ED6,ED9,ES1,ES3,HA2,HX26,LX,LXQ4,LXU,LX2,LX26,PKT2 PKT4,PKX4,PX,QAB2,QAH2,QAP2,QA2,QA26,QDW9,QKA4,QMT2,QT2,QX,QXB QXC,QXC4,QXC6,QXC9,QXQ4,QXU,SMX2,SWX,SX,SXB,SXQ4,SXU,VAD2,VA2 VDE2,VH12,VWC2,VW12,VX,VXB,VXQ4,VXU,VX16,VX8 |
| | | | - | - | 1 | | |

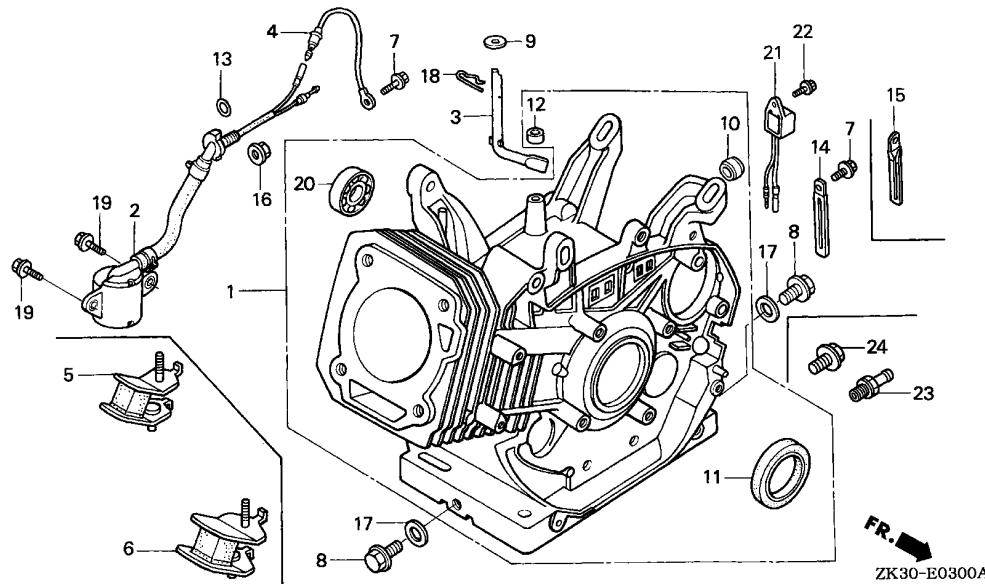




| Ref. No. | Part No. | Description | Reqd. QTY | | | Serial No. | Parts catalogue code | |
|----------|---------------|---|-----------|-----|-----|------------|---|--|
| | | | GX | (1) | (2) | | | (3) |
| (1) | 12000-ZE3-826 | BARREL ASSY., CYLINDER (SELFSTARTER+ALERT) | 1 | (1) | - | ----- | EDS3,EDS5,LXE6,L1/A,P1/A,QNE6,QN18,QPE2,QXE2,Q1/A,SME2,SXE2,S1/A VEB6,VWA2,VXE4,VXE6 | |
| | | | 1 | - | - | 2250346 | ----- | EDS,ETS,QAE,QAPE,QNE,QXEB,VAAE,VAH2,VNG2,VWA |
| | | | 1 | - | - | 3334263 | 3334263 | EDE2,EDS1,EDS2,LXE4,LXE8,PXE8,QAE2,QAE6,QL2,QMEO,QME8,QNE2 QNR2,QNR6,QXE4,QXE6,QXE8,SME0,SXE4,SXE8,VH22,VMT,VWE2,VWS2,VXE2 VXE8,VXU1 |
| | | | 1 | - | - | 2250346 | 3334263 | ES4,LKE,LXE,QXE,SXE,SXEB,VXE,VXEB |
| | | | 1 | - | - | 2288956 | 3334263 | QNE9 |
| | | | 1 | - | - | 2357310 | 3334263 | STJ |
| | | | - | (1) | - | 2249751 | ----- | L1,P1,Q1,S1,V1 |
| | 120A0-ZE3-834 | BARREL ASSY., CYLINDER (SELF-STARTER) | 1 | (1) | - | 2135804 | 2135804 | ED7,LHE,L1,P1,QHE,Q1,SHE,SHEZ,S1,VHE,V1 |
| | 120A0-ZE3-835 | | 1 | - | - | 2135805 | 2251594 | ED7,LHE,QHE,SHE,SHEZ,VHE |
| | | | - | (1) | - | 2135805 | 2249750 | L1,P1,Q1,S1,V1 |
| | 12000-ZE3-828 | BARREL ASSY., CYLINDER (SELFSTARTER+ALERT) | 1 | - | - | ----- | ----- | EDS6,EDT,ENT,VXE7 |
| | | | 1 | - | - | 3334264 | 3334264 | EDE2,EDS1,EDS2,ES4,LKE,LXE,LXE2,LXE4,LXE8,PXE8,QAE2,QAE6,QL2,QMEO QME8,QNE2,QNE9,QNR2,QNR6,QXE,QXE4,QXE6,QXE8,SME0,STJ,SXE,SXEB SXE4,SXE8,VH22,VMT,VWE2,VWS2,VXE,VXEB,VXE2,VXE8,VXU1 |
| | 12000-ZE3-836 | BARREL ASSY., CYLINDER (SELF-STARTER) | 1 | (1) | - | ----- | ----- | L1/A,P1/A,Q1/A,SDE,S1/A |
| | | | 1 | - | - | 2251595 | ----- | ED7,SHE,SHEZ,VHE |
| | | | 1 | - | - | 3334263 | 3334263 | SKE,ZK1 |
| | | | 1 | - | - | 2251595 | 3334263 | LHE,QHE |
| | | | - | (1) | - | 2249751 | ----- | L1,P1,Q1,S1,V1 |
| | 12000-ZE3-838 | | 1 | - | - | ----- | ----- | LWD1 |
| | | | 1 | - | - | 3334264 | ----- | LHE,QHE,SKE,ZK1 |

| Ref. No. | Part No. | Description | Reqd. QTY | | | Serial No. | Parts catalogue code |
|----------|---------------|-------------------------------|-----------|-----|-----|------------|--|
| | | | (1) | (2) | (3) | | |
| 2 | 15510-ZE2-043 | SWITCH ASSY., OIL LEVEL | 1 | (1) | - | | EDE2,EDE2/A,EDN,EDN2,EDN2/A,EDN5,EDN5/A,EDS,EDS1,EDS2,EDS2/A,EDS3,EDS5,EDS6,EDS6/A,EDT,EDT/A,EDT1,EDT2,EDT6,EDT6/A,ED6,ED6/A,ED9,EMT,ENT,ENT/A,ENT2,EN6,EN6/A,ES1,ES3,ES4,ETS,ETX,HA,HAQ,HA2,HA2/A,HX,HX2,HX26,HX26/A,LKE,LKE/A,LSX,LX,LXE,LXE2,LXE2/A,LXE4,LXE4/A,LXE6,LXE8,LXE8/A,LXQ4,LXQ4/A,LXU,LXU/A,LXZ,LX2,LX2/A,LX26,LX26/A,L1,PKT2,PKT2/A,PKT4,PKT4/A,PKX2,PKX4,PKX4/A,PX,PXA2,PXE8,PXE8/A,P1,P1/A,QA,QAB2,QAB2/A,QAC2,QAC2/A,QAE,QAE2,QAE2/A,QAE6,QAE6/A,QAG,QAG/A,QA2,QA2/A,QA26,QA26/A,QD9,QD9/A,QKA4/A,QL2,QMEO,QMEO/A,QME8,QME8/A,QMT2,QMT2/A,QMX2,QNE,QNE2,QNE2/A,QNE6,QNE9,QNE9/A,QNR2,QNR2/A,QNR6,QNR6/A,QN18,QPE2,QTC2,QTC2/A,QWH2,QWH2/A,QX,QXB,QXB/A,QXB7,QXB7/A,QXC,QXC/A,QXC4,QXC4/A,QXC6,QXC6/A,QXC9,QXC9/A,QXE,QXEB,QXE2,QXE4,QXE4/A,QXE6,QXE6/A,QXE8,QXE8/A,QXQ4,QXQ4/A,QXU,QXU/A,QX2,Q1/Q1/A,SHT,SME0,SME0/A,SME2,SMX2,SMX2/A,STJ,SWX,SWX/A,SX,SXB,SXB/A,SXB7,SXB7/A,SXE,SXEB,SXEB/A,SXE2,SXE4,SXE4/A,SXE8,SXE8/A,SXP,SXQ4,SXQ4/A,SXU,SXU/A,S1,VA,VAA,VAAE,VAD2,VAD2/A,VAH1,VAH2,VAW1,VA2,VA2/A,VC2,VC2/A,VDE,VDE2,VDE2/A,VD16,VEB6,VH12,VH12/A,VH22,VH22/A,VMT,VMX,VNG,VNG1,VNG2,VSH7,VWA,VWA2,VWC,VWC2,VWC2/A,VWE,VWE2,VWE2/A,VWS2,VWS2/A,VW12,VW12/A,VX,VXA,VXB,VXB/A,VXB2,VXB7,VXB7/A,VXE,VXEB,VXEB/A,VXE2,VXE2/A,VXE4,VXE6,VXE7,VXE7/A,VXE8,VXE8/A,VXQ4,VXQ4/A,VXU,VXU1,VXU1/A,VX16,VX16/A,VX8,VX8/A,V1 |
| | | | 1 | (1) | - | 4074478 | EDK,EDS1/A,EDS4,EDT1/A,ED9/A,EMT/A,ES1/A,ES3/A,ES4/A,LX/A,LXE/A,L1/A,PX/A,QX/A,QXE/A,STJ/A,SX/A,SXE/A,S1/A,VMQ,VMT/A,VS3,VS4,VS5,VS6,VX/A,VXE/A,VXK,VXU/A |
| | | | 1 | - | - | 3105643 | QKA4 |
| | | | - | - | 1 | | |
| | 15510-ZE2-053 | | 1 | (1) | - | 4074479 | EDK,EDS1/A,EDS4,EDT1/A,ED9/A,EMT/A,ES1/A,ES3/A,ES4/A,LX/A,LXE/A,L1/A,PX/A,QX/A,QXE/A,STJ/A,SX/A,SXE/A,S1/A,VMQ,VMT/A,VS3,VS4,VS5,VS6,VX/A,VXE/A,VXK,VXU/A |
| | | | 1 | - | - | | EDT3,ES2,VS2,VS7 |



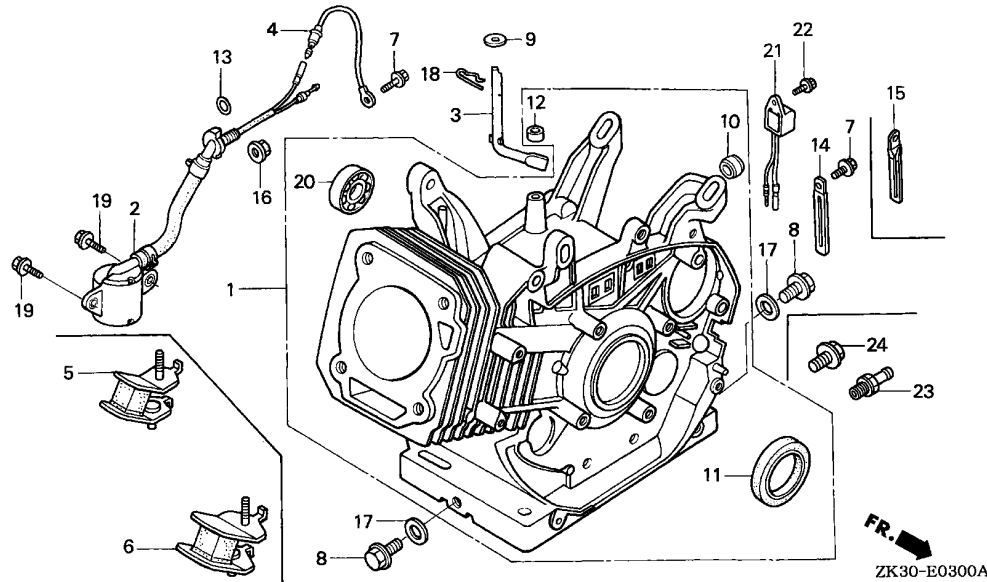


2

| Ref. No. | Part No. | Description | Reqd. QTY | | | Serial No. | Parts catalogue code |
|----------|---------------|---------------------------|-----------|-----|-----|------------|---|
| | | | GX | (1) | (2) | | |
| 3 | 16541-ZE3-010 | SHAFT, GOVERNOR ARM | 1 | - | - | ----- | BJ, EDE2, EDE2/A, EDK, EDN, EDN2, EDN2/A, EDN5, EDN5/A, EDS, EDS1, EDS1/A, EDS2, EDS2/A, EDS3, EDS4, EDS5, EDS6, EDS6/A, EDT, EDT/A, EDT1, EDT1/A, EDT2, EDT3, EDT6, EDT6/A, ED6, ED6/A, ED7, ED8, ED8/A, ED9, ED9/A, EMT, EMT/A, EN, ENT, ENT/A, ENT2, EN6, EN6/A, ES, ES1, ES1/A, ES2, ES3, ES3/A, ES4, ES4/A, ET, ETS, ETX, HA, HAQ, HA2, HA2/A, HH, HX, HX2, HX26, HX26/A, LH, LH/A, LHB3, LHB3/A, LHB5, LHC, LHE, LHE/A, LHQ4, LHQ4/A, LHW, LJ, LJ/A, LJG, LJG/A, LJS, LJS/A, LJS1, LKE, LKE/A, LXS, LT, LT/A, LWD, LWD1, LWD1/A, LX, LX/A, LXE, LXE/A, LXE2, LXE2/A, LXE4, LXE4/A, LXE6, LXE8, LXE8/A, LXQ4, LXQ4/A, LXU, LXU/A, LXZ, LXZ, LX2, LX2/A, LX26, LX26/A, PKT2, PKT2/A, PKT4, PKT4/A, PKX2, PKX4, PKX4/A, PX, PX/A, PXA2, PXE8, PXE8/A, QA, QAB2, QAB2/A, QAC2, QAC2/A, QAE, QAE2, QAE2/A, QAE6, QAE6/A, QAG, QAG/A, QAH2, QAH2/A, QAP, QAPE, QAP2, QAP2/A, QAQ, QA2, QA2/A, QA26, QA26/A, QDW9, QDW9/A, QE, QE/A, QH, QH/A, QHB3, QHB3/A, QHB5, QHC, QHE, QHE/A, QHP1, QHP1/A, QHQ4, QHQ4/A, QH2, QKA4, QKA4/A, QL2, QME0, QME0/A, QME8, QME8/A, QMH, QMH/A, QMT2, QMT2/A, QMX2, QNE, QNE2, QNE2/A, QNE6, QNE9, QNE9/A, QNR2, QNR2/A, QNR6, QNR6/A, QN18, QP, QP/A, QPE2, QT, QT/A, QTC2, QTC2/A, QWH2, QWH2/A, QX, QX/A, QXB, QXB/A, QXB7, QXB7/A, QXC, QXC/A, QXC4, QXC4/A, QXC6, QXC6/A, QXC9, QXC9/A, QXE, QXE/A, QXEB, QXE2, QXE4, QXE4/A, QXE6, QXE6/A, QXE8, QXE8/A, QXQ4, QXQ4/A, QXU, QXU/A, QX2, SDE, SE, SE/A, SH, SH/A, SHB1, SHB3, SHB3/A, SHE, SHEZ, SHQ4, SHQ4/A, SHT, SJ, SJ/A, SJG, SJG/A, SKE, SKE/A, SKZ, SKZ/A, SME0, SME0/A, SME2, SMX2, SMX2/A, STJ, STJ/A, STP, STP/A, STQ, STQ/A, STR, STR/A, SWX, SWX/A, SX, SX/A, SXB, SXB/A, SXB7, SXB7/A, SXE, SXE/A, SXEB, SXEB/A, SXE2, SXE4, SXE4/A, SXE8, SXE8/A, SXP, SXQ4, SXQ4/A, SXU, SXU/A, VA, VAA, VAAE, VAD2, VAD2/A, VAH1, VAH2, VAW1, VAZ, VAZ/A, VC2, VC2/A, VDE, VDE2, VDE2/A, VD16, VE, VEB6, VH, VHE, VH12, VH12/A, VH22, VH22/A, VMQ, VMT, VMT/A, VMX, VNG, VNG1, VNG2, VSH7, VS2, VS3, VS4, VS5, VS6, VS7, VTE2, VWA, VWA2, VWC, VWC2, VWC2/A, VWE, VWE2, VWE2/A, VWS2, VWS2/A, VW12, VW12/A, VX, VX/A, VXA, VXB, VXB/A, VXB2, VXB7, VXB7/A, VXE, VXE/A, VXEB, VXEB/A, VXE2, VXE2/A, VXE4, VXE6, VXE7, VXE7/A, VXE8, VXE8/A, VXG, VXK, VXQ4, VXQ4/A, VXU, VXU/A, VXU1, VXU1/A, VX16, VX16/A, VX8, VX8/A, YJ, ZK1, ZK1/A |

| Ref. No. | Part No. | Description | Reqd. QTY | | | Serial No. | Parts catalogue code |
|----------|---------------|-------------------------------|-----------|-----|-----|------------|---|
| | | | (1) | (2) | (3) | | |
| 4 | 32197-ZE2-003 | SUB HARNESS | 1 | - | - | ----- | EDS,EDS1,EDS1/A,EDS3,EDS5,EDT1,EDT1/A,ED6,ED6/A,ED9,ED9/A,ES1 ES1/A,ETX,HA,HAQ,HA2,HA2/A,HX,HX2,HX26,HX26/A,LKE,LKE/A,LSX,LX LX/A,LXE,LXE/A,LXE2,LXE2/A,LXE4,LXE4/A,LXE6,LXQ4,LXQ4/A,LXZ,LX2 LX2/A,LX26,LX26/A,PKT2,PKT2/A,PX,PX/A,QA,QAQ,QAQ2,QAQ2/A,QAQ6 QAQ6/A,QAP,QAPE,QAPE2,QAPE2/A,QAQ,QA2,QA2/A,QA26,QA26/A,QDW9,QDW9/A QMEO,QMEO/A,QMT2,QMT2/A,QNE,QNE2,QNE2/A,QNE6,QNE9,QNE9/A,QNR2 QNR2/A,QNR6,QNR6/A,QN18,QPE2,QTC2,QTC2/A,QX,QX/A,QXB,QXB/A,QXC QXC/A,QXC4,QXC4/A,QXC6,QXC6/A,QXC9,QXC9/A,QXE,QXE/A,QXEB,QXE2 QXE4,QXE4/A,QXE6,QXE6/A,QXQ4,QXQ4/A,QX2,SHT,SMEO,SMEO/A,SM2,SMX2 SMX2/A,SWX,SWX/A,SX,SX/A,SXB,SXB/A,SXE,SXE/A,SXEB,SXEB/A,SXE2 SXE4,SXE4/A,SXP,SXQ4,SXQ4/A,VA,VAA,VAAE,VAD2,VAD2/A,VAH1,VAH2 VAW1,VA2,VA2/A,VDE,VDE2,VDE2/A,VD16,VEB6,VH12,VH12/A,VH22,VH22/A VNG,VNG1,VNG2,VWA,VWA2,VWC2,VWC2/A,VWE2,VWE2/A,VWS2,VWS2/A,VW12 VW12/A,VX,VX/A,VXA,VXB,VXB/A,VXB2,VXE,VXE/A,VXEB,VXEB/A,VXE2 VXE2/A,VXE4,VXE6,VXG,VXQ4,VXQ4/A,VXU,VXU/A,VXU1,VXU1/A,VX16 VX16/A |
| | 31161-ZE2-000 | CORD, EARTH | 1 | - | - | ----- | EDE2,EDE2/A,EDN,EDN2,EDN2/A,ES3,ES3/A,ES4,ES4/A,ETS,STJ,STJ/A,VS2 VS3,VS4,VS5,VS6,VS7 |
| 5 | 68325-ZC2-000 | RUBBER, BOTTOM | 2 | - | - | ----- | ES,ES1,ES1/A,ES2,ES3,ES3/A,ES4,ES4/A,VS2,VS3,VS4,VS5,VS6,VS7 |
| 6 | 68325-899-000 | RUBBER, BOTTOM | 2 | - | - | ----- | ES,ES1,ES1/A,ES2,ES3,ES3/A,ES4,ES4/A,VS2,VS3,VS4,VS5,VS6,VS7 |
| 7 | 90013-883-000 | BOLT, FLANGE, 6X12(CT200) ... | 4 | - | - | ----- | SHT |
| | | | 1 | - | - | ----- | EDE2,EDE2/A,EDN,EDN2,EDN2/A,EDS,EDS1,EDS1/A,EDS3,EDS5,EDT1,EDT1/A ED6,ED6/A,ED9,ED9/A,ES1,ES1/A,ES3,ES3/A,ETS,ETX,HA,HAQ,HA2,HA2/A HX,HX2,HX26,HX26/A,LKE,LKE/A,LSX,LX,LX/A,LXE,LXE/A,LXE2,LXE2/A LXE4,LXE4/A,LXE6,LXQ4,LXQ4/A,LXZ,LX2,LX2/A,LX26,LX26/A,PKT2 PKT2/A,PX,PX/A,QA,QAQ,QAQ2,QAQ2/A,QAQ6,QAQ6/A,QAP,QAPE,QAPE2 QAPE2/A,QAQ,QA2,QA2/A,QA26,QA26/A,QDW9,QDW9/A,QMEO,QMEO/A,QMT2 QMT2/A,QNE,QNE2,QNE2/A,QNE6,QNE9,QNE9/A,QNR2,QNR2/A,QNR6,QNR6/A QN18,QPE2,QTC2,QTC2/A,QX,QX/A,QXB,QXB/A,QXC,QXC/A,QXC4,QXC4/A QXC6,QXC6/A,QXC9,QXC9/A,QXE,QXE/A,QXEB,QXE2,QXE4,QXE4/A,QXE6 QXE6/A,QXQ4,QXQ4/A,QX2,SHT,SMEO,SMEO/A,SM2,SMX2,SMX2/A,STJ,STJ/A SWX,SWX/A,SX,SX/A,SXB,SXB/A,SXE,SXE/A,SXEB,SXEB/A,SXE2,SXE4 SXE4/A,SXP,SXQ4,SXQ4/A,VA,VAA,VAAE,VAD2,VAD2/A,VAH1,VAH2,VAW1,VA2 VA2/A,VDE,VDE2,VDE2/A,VD16,VEB6,VH12,VH12/A,VH22,VH22/A,VNG,VNG1 VNG2,VS3,VS6,VS7,VWA,VWA2,VWC2,VWC2/A,VWE2,VWE2/A,VWS2,VWS2/A VW12,VW12/A,VX,VX/A,VXA,VXB,VXB/A,VXB2,VXE,VXE/A,VXEB,VXEB/A,VXE2 VXE2/A,VXE4,VXE6,VXG,VXQ4,VXQ4/A,VXU,VXU/A,VXU1,VXU1/A,VX16 VX16/A |
| | | | 2 | - | - | ----- | VS5 |
| | | | 3 | - | - | ----- | ES4,ES4/A |
| | | | - | (1) | 1 | | |
| 8 | 90131-883-000 | BOLT, DRAIN PLUG, 12X15 | 2 | 2 | 2 | | |



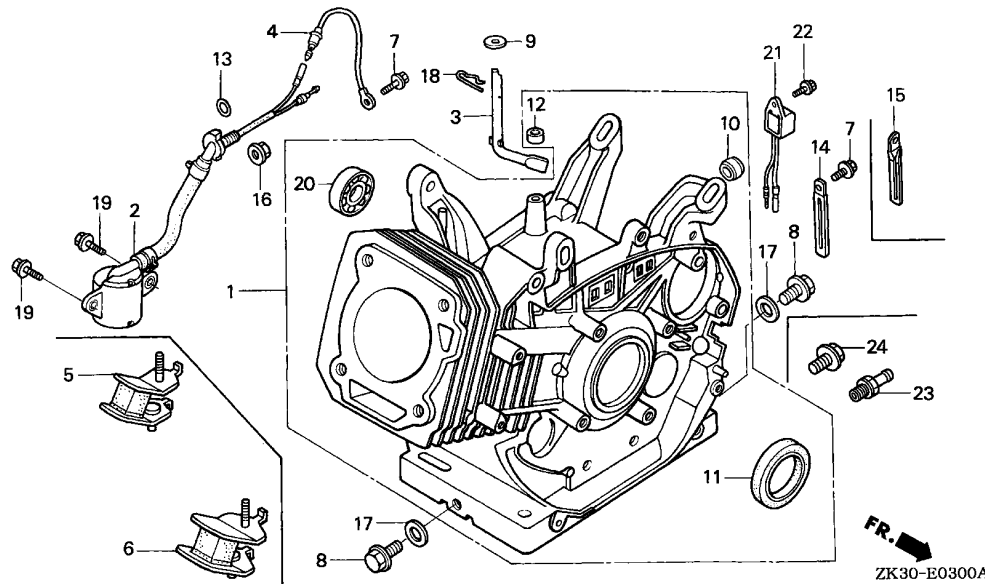


2

| Ref. No. | Part No. | Description | Reqd. QTY | | | Serial No. | Parts catalogue code |
|----------|---------------|--------------------------|-----------|-----|-----|------------|---|
| | | | GX | (1) | (2) | | |
| 9 | 90446-KE1-000 | WASHER, 8.2X17X0.8 | 1 | - | - | - | BJ, EDE2, EDE2/A, EDK, EDN, EDN2, EDN2/A, EDN5, EDN5/A, EDS, EDS1, EDS1/A, EDS2, EDS2/A, EDS3, EDS4, EDS5, EDS6, EDS6/A, EDT, EDT/A, EDT1, EDT1/A, EDT2, EDT3, EDT6, EDT6/A, ED6, ED6/A, ED7, ED8, ED8/A, ED9, ED9/A, EMT, EMT/A, EN, ENT, ENT/A, ENT2, EN6, EN6/A, ES, ES1, ES1/A, ES2, ES3, ES3/A, ES4, ES4/A, ET, ETS, ETX, HA, HAQ, HA2, HA2/A, HH, HX, HX2, HX26, HX26/A, LH, LH/A, LHB3, LHB3/A, LHB5, LHC, LHE, LHE/A, LHQ4, LHQ4/A, LHW, LJ, LJ/A, LJG, LJG/A, LJS, LJS/A, LJS1, LKE, LKE/A, LXS, LT, LT/A, LWD, LWD1, LWD1/A, LX, LX/A, LXE, LXE/A, LXE2, LXE2/A, LXE4, LXE4/A, LXE6, LXE8, LXE8/A, LXQ4, LXQ4/A, LXU, LXU/A, LXZ, LXZ, LXZ2, LXZ2/A, LX26, LX26/A, PKT2, PKT2/A, PKT4, PKT4/A, PKX2, PKX4, PKX4/A, PX, PX/A, PXA2, PXE8, PXE8/A, QA, QAB2, QAB2/A, QAC2, QAC2/A, QAE, QAE2, QAE2/A, QAE6, QAE6/A, QAG, QAG/A, QAH2, QAH2/A, QAP, QAPE, QAP2, QAP2/A, QAQ, QA2, QA2/A, QA26, QA26/A, QDW9, QDW9/A, QE, QE/A, QH, QH/A, QHB3, QHB3/A, QHB5, QHC, QHE, QHE/A, QHP1, QHP1/A, QHQ4, QHQ4/A, QH2, QKA4, QKA4/A, QL2, QME0, QME0/A, QME8, QME8/A, QMH, QMH/A, QMT2, QMT2/A, QMX2, QNE, QNE2, QNE2/A, QNE6, QNE9, QNE9/A, QNR2, QNR2/A, QNR6, QNR6/A, QN18, QP, QP/A, QPE2, QT, QT/A, QTC2, QTC2/A, QWH2, QWH2/A, QX, QX/A, QXB, QXB/A, QXB7, QXB7/A, QXC, QXC/A, QXC4, QXC4/A, QXC6, QXC6/A, QXC9, QXC9/A, QXE, QXE/A, QXEB, QXE2, QXE4, QXE4/A, QXE6, QXE6/A, QXE8, QXE8/A, QXQ4, QXQ4/A, QXU, QXU/A, QX2, SDE, SE, SE/A, SH, SH/A, SHB1, SHB3, SHB3/A, SHE, SHEZ, SHQ4, SHQ4/A, SHT, SJ, SJ/A, SJG, SJG/A, SKE, SKE/A, SKZ, SKZ/A, SME0, SME0/A, SME2, SMX2, SMX2/A, STJ, STJ/A, STP, STP/A, STQ, STQ/A, STR, STR/A, SWX, SWX/A, SX, SX/A, SXB, SXB/A, SXB7, SXB7/A, SXE, SXE/A, SXEB, SXEB/A, SXE2, SXE4, SXE4/A, SXE8, SXE8/A, SXP, SXQ4, SXQ4/A, SXU, SXU/A, VA, VAA, VAAE, VAD2, VAD2/A, VAH1, VAH2, VAW1, VAZ, VAZ/A, VC2, VC2/A, VDE, VDE2, VDE2/A, VD16, VE, VEB6, VH, VHE, VH12, VH12/A, VH22, VH22/A, VMQ, VMT, VMT/A, VMX, VNG, VNG1, VNG2, VSH7, VS2, VS3, VS4, VS5, VS6, VS7, VTE2, VMA, VMA2, VWC, VWC2, VWC2/A, VWE, VWE2, VWE2/A, VWS2, VWS2/A, VW12, VW12/A, VX, VX/A, VXA, VXB, VXB/A, VXB2, VXB7, VXB7/A, VXE, VXE/A, VXEB, VXEB/A, VXE2, VXE2/A, VXE4, VXE6, VXE7, VXE7/A, VXE8, VXE8/A, VXG, VXK, VXQ4, VXQ4/A, VXU, VXU/A, VXU1, VXU1/A, VX16, VX16/A, VX8, VX8/A, YJ, ZK1, ZK1/A |

| Ref. No. | Part No. | Description | Reqd. QTY | | | Serial No. | Parts catalogue code |
|----------|---------------|-----------------------------|-----------|-----|-----|------------|---|
| | | | (1) | (2) | (3) | | |
| 10 | 90801-ZE2-003 | PLUG, SEALING (RUBBER 10MM) | 1 | (1) | - | | BJ, EDE2, EDN2, EDN5, EDS1, EDS2, EDS6, EDT, EDT1, EDT2, EDT6, ED6, ED8, ED9 EMT, ENT, EN6, ES1, ES3, ES4, HAQ, HA2, HX2, HX26, LH, LHB3, LHE, LHQ4, LJ, LJG LJS, LKE, LSX, LT, LWD1, LX, LXE, LXE2, LXE4, LXE8, LXQ4, LXU, LX2, LX26, L1 PKT2, PKT4, PKX4, PX, PXE8, P1, QAB2, QAC2, QAE2, QAE6, QAG, QAH2, QAP2, QAA QA2, QA26, QDW9, QE, QH, QHB3, QHE, QHP1, QHQ4, QH2, QL2, QMEO, QME8, QMH, QMT2 QMX2, QNE2, QNE9, QNR2, QNR6, QN18, QP, QPE2, QT, QTC2, QWH2, QX, QXB, QXC QXC4, QXC6, QXC9, QXE, QXE2, QXE4, QXE6, QXE8, QXQ4, QXU, QX2, Q1, SDE, SE, SH SHB1, SHB3, SHQ4, SJ, SJG, SKE, SKZ, SMEO, SME2, SMX2, STJ, STP, STQ, STR, SWX SX, SXB7, SXE, SXEB, SXE2, SXE4, SXE8, SXQ4, SXU, S1, VAD2, VAW1, VA2, VC2, VDE VDE2, VH12, VH22, VMT, VWA, VWA2, VWC2, VWE2, VWS2, VW12, VX, VXB, VXE, VXE8 VXE2, VXE8, VXQ4, VXU, VXU1, VX16, VX8, V1, YJ, ZK1 3989445 EDE2/A, EDN2/A, EDN5/A, EDS1/A, EDS2/A, EDS6/A, EDT/A, EDT1/A, EDT6/A ED6/A, ED8/A, ED9/A, EMT/A, ENT/A, ENT2, EN6/A, ES1/A, ES3/A, ES4/A, HA2/A HX26/A, LH/A, LHB3/A, LHB5, LHE/A, LHQ4/A, LJ/A, LJG/A, LJS/A, LJS1, LKE/A LT/A, LWD, LWD1/A, LX/A, LXE/A, LXE2/A, LXE4/A, LXE8/A, LXQ4/A, LXU/A LX2/A, LX26/A, L1/A, PKT2/A, PKT4/A, PKX2, PKX4/A, PX/A, PXE8/A, P1/A QAB2/A, QAC2/A, QAE2/A, QAE6/A, QAG/A, QAH2/A, QAP2/A, QA2/A, QA26/A QDW9/A, QE/A, QH/A, QHB3/A, QHB5, QHE/A, QHP1/A, QHQ4/A, QKA4/A, QMEO/A QME8/A, QMH/A, QMT2/A, QNE2/A, QNE9/A, QNR2/A, QNR6/A, QP/A, QT/A, QTC2/A QWH2/A, QX/A, QXB/A, QXC/A, QXC4/A, QXC6/A, QXC9/A, QXE/A, QXE4/A, QXE6/A QXE8/A, QXQ4/A, QXU/A, Q1/A, SE/A, SH/A, SHB3/A, SHQ4/A, SJ/A, SJG/A, SKE/A SKZ/A, SMEO/A, SMX2/A, STJ/A, STP/A, STQ/A, STR/A, SWX/A, SX/A, SXB7/A SXE/A, SXEB/A, SXE4/A, SXE8/A, SXQ4/A, SXU/A, S1/A, VAD2/A, VA2/A, VC2/A VDE2/A, VH12/A, VH22/A, VMT/A, VWC2/A, VWE2/A, VWS2/A, VW12/A, VX/A, VXB/A VXE/A, VXE8/A, VXE2/A, VXE8/A, VXQ4/A, VXU/A, VXU1/A, VX16/A, VX8/A, ZK1/A 3105642 QKA4 |
| 11 | 91201-ZE3-004 | OIL SEAL, 35X52X8 | 1 | (1) | 1 | | |

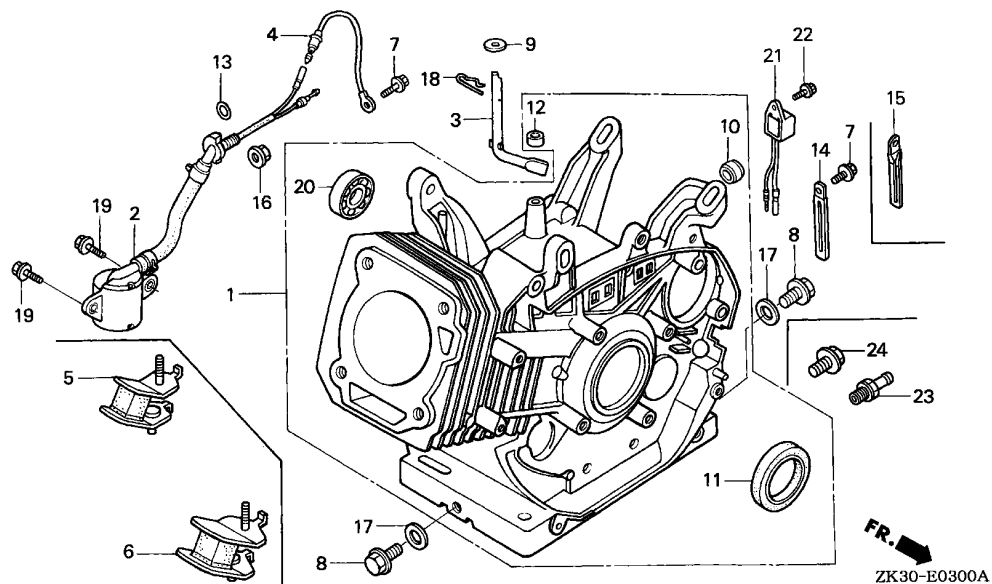




| Ref. No. | Part No. | Description | Reqd. QTY GX 340K1 (1) (2) (3) | Serial No. | Parts catalogue code |
|----------|---------------|------------------------|---|------------|--|
| 12 | 91203-952-771 | OIL SEAL, 8X14X5 | 1 | - | BJ, EDE2, EDE2/A, EDK, EDN, EDN2, EDN2/A, EDN5, EDN5/A, EDS, EDS1, EDS1/A, EDS2, EDS2/A, EDS3, EDS4, EDS5, EDS6, EDS6/A, EDT, EDT/A, EDT1, EDT1/A, EDT2, EDT3, EDT6, EDT6/A, ED6, ED6/A, ED7, ED8, ED8/A, ED9, ED9/A, EMT, EMT/A, EN, ENT, ENT/A, ENT2, EN6, EN6/A, ES, ES1, ES1/A, ES2, ES3, ES3/A, ES4, ES4/A, ET, ETS, ETX, HA, HAQ, HA2, HA2/A, HH, HX, HX2, HX26, HX26/A, LH, LH/A, LHB1, LHB3, LHB3/A, LHB5, LHC, LHE, LHE/A, LHQ4, LHQ4/A, LHW, LJ, LJ/A, LJG, LJG/A, LJS, LJS/A, LJS1, LKE, LKE/A, LXS, LT, LT/A, LWD, LWD1, LWD1/A, LX, LX/A, LXE, LXE/A, LXE2, LXE2/A, LXE4, LXE4/A, LXE6, LXE8, LXE8/A, LXQ4, LXQ4/A, LXU, LXU/A, LXZ, LXZ, LXZ/A, LX26, LX26/A, PKT2, PKT2/A, PKT4, PKT4/A, PKX2, PKX4, PKX4/A, PX, PX/A, PXA2, PXE8, PXE8/A, QA, QAB2, QAB2/A, QAC2, QAC2/A, QAE, QAE2, QAE2/A, QAE6, QAE6/A, QAG, QAG/A, QAH2, QAH2/A, QAP, QAPE, QAP2, QAP2/A, QAQ, QA2, QA2/A, QA26, QA26/A, QDW9, QDW9/A, QE, QE/A, QH, QH/A, QHB3, QHB3/A, QHB5, QHC, QHE, QHE/A, QHP1, QHP1/A, QHQ4, QHQ4/A, QH2, QKA4, QKA4/A, QL2, QME0, QME0/A, QME8, QME8/A, QMH, QMH/A, QMT2, QMT2/A, QMX2, QNE, QNE2, QNE2/A, QNE6, QNE9, QNE9/A, QNR2, QNR2/A, QNR6, QNR6/A, QN18, QP, QP/A, QPE2, QT, QT/A, QTC2, QTC2/A, QWH2, QWH2/A, QX, QX/A, QXB, QXB/A, QXB7, QXB7/A, QXC, QXC/A, QXC4, QXC4/A, QXC6, QXC6/A, QXC9, QXC9/A, QXE, QXE/A, QXEB, QXE2, QXE4, QXE4/A, QXE6, QXE6/A, QXE8, QXE8/A, QXQ4, QXQ4/A, QXU, QXU/A, QX2, SDE, SE, SE/A, SH, SH/A, SHB1, SHB3, SHB3/A, SHE, SHEZ, SHQ4, SHQ4/A, SHT, SJ, SJ/A, SJG, SJG/A, SKE, SKE/A, SKZ, SKZ/A, SMEO, SMEO/A, SME2, SMX2, SMX2/A, STJ, STJ/A, STP, STP/A, STQ, STQ/A, STR, STR/A, SWX, SWX/A, SX, SX/A, SXB, SXB/A, SXB7, SXB7/A, SXE, SXE/A, SXEB, SXEB/A, SXE2, SXE4, SXE4/A, SXE8, SXE8/A, SXP, SXQ4, SXQ4/A, SXU, SXU/A, VA, VAA, VAAE, VAD2, VAD2/A, VAH1, VAH2, VAW1, VA2, VA2/A, VC2, VC2/A, VDE, VDE2, VDE2/A, VD16, VE, VEB6, VH, VHE, VH12, VH12/A, VH22, VH22/A, VMQ, VMT, VMT/A, VMX, VNG, VNG1, VNG2, VSH7, VS2, VS3, VS4, VS5, VS6, VS7, VTE2, VWA, VWA2, VWC, VWC2, VWC2/A, VWE, VWE2, VWE2/A, VWS2, VWS2/A, VW12, VW12/A, VX, VX/A, VXA, VXB, VXB/A, VXB2, VXB7, VXB7/A, VXE, VXE/A, VXEB, VXEB/A, VXE2, VXE2/A, VXE4, VXE6, VXE7, VXE7/A, VXE8, VXE8/A, VXG, VXK, VXQ4, VXQ4/A, VXU, VXU/A, VXU1, VXU1/A, VX16, VX16/A, VX8, VX8/A, YJ, ZK1, ZK1/A |

| Ref. No. | Part No. | Description | Reqd. QTY | | | Serial No. | Parts catalogue code |
|----------|---------------|-------------------------------|-----------|-----|-----|------------|--|
| | | | (1) | (2) | (3) | | |
| 12) | 91203-952-771 | OIL SEAL, 8X14X5 | - | 1 | 1 | | |
| 13 | 91353-671-004 | O-RING, 14MM(NOK) | 1 | - | - | ----- | EDE2,EDE2/A,EDK,EDN,EDN2,EDN2/A,EDN5,EDN5/A,EDS,EDS1,EDS1/A,EDS2,EDS2/A,EDS3,EDS4,EDS5,EDS6,EDS6/A,EDT,EDT/A,EDT1,EDT1/A,EDT2,EDT3,EDT6,EDT6/A,ED6,ED6/A,ED9,ED9/A,EMT,EMT/A,ENT,ENT/A,ENT2,EN6,EN6/A,ES1,ES1/A,ES2,ES3,ES3/A,ES4,ES4/A,ETS,ETX,HA,HAQ,HA2,HA2/A,HX,HX2,HX26,HX26/A,LKE,LKE/A,LSX,LX,LX/A,LXE,LXE/A,LXE2,LXE2/A,LXE4,LXE4/A,LXE6,LXE8,LXE8/A,LXQ4,LXQ4/A,LXU,LXU/A,LXZ,LX2/LX2/A,LX26,LX26/A,PKT2,PKT2/A,PKT4,PKT4/A,PKX2,PKX4,PKX4/A,PK,PK/A,PKA2,PXE8,PXE8/A,QA,QAB2,QAB2/A,QAC2,QAC2/A,QAE,QAE2,QAE2/A,QAE6,QAE6/A,QAG,QAG/A,QAQ2,QAQ2/A,QAP,QAPE,QAP2,QAP2/A,QAQ,QA2,QA2/A,QA26,QA26/A,QDW9,QDW9/A,QKA4/A,QL2,QMEO,QMEO/A,QME8,QME8/A,QMT2,QMT2/A,QMX2,QNE,QNE2,QNE2/A,QNE6,QNE9,QNE9/A,QNR2,QNR2/A,QNR6,QNR6/A,QN18,QPE2,QTC2,QTC2/A,QWH2,QWH2/A,QX,QX/A,QXB,QXB/A,QXB7,QXB7/A,QXC,QXC/A,QXC4,QXC4/A,QXC6,QXC6/A,QXC9,QXC9/A,QXE,QXE/A,QXEB,QXE2,QXE4,QXE4/A,QXE6,QXE6/A,QXE8,QXE8/A,QXQ4,QXQ4/A,QXU,QXU/A,QX2,SHT,SME0,SME0/A,SME2,SMX2,SMX2/A,STJ,STJ/A,SWX,SWX/A,SX,SX/A,SXB,SXB/A,SXB7,SXB7/A,SXE,SXE/A,SXEB,SXEB/A,SXE2,SXE4,SXE4/A,SXE8,SXE8/A,SXP,SXQ4,SXQ4/A,SXU,SXU/A,VA,VAA,VAE,VAD2,VAD2/A,VAH1,VAH2,VAW1,VA2,VA2/A,VC2,VC2/A,VDE,VDE2,VDE2/A,VD16,VEB6,VH12,VH12/A,VH22,VH22/A,VMQ,VMT,VMT/A,VMX,VNG,VNG1,VNG2,VSH7,VS2,VS3,VS4,VS5,VS6,VS7,VWA,VWA2,VWC,VWC2,VWC2/A,VVE,VVE2,VVE2/A,VWS2,VWS2/A,VW12,VW12/A,VX,VX/A,VXA,VXB,VXB/A,VXB2,VXB7,VXB7/A,VXE,VXE/A,VXEB,VXEB/A,VXE2,VXE2/A,VXE4,VXE6,VXE7,VXE7/A,VXE8,VXE8/A,VXG,VXK,VXQ4,VXQ4/A,VXU,VXU/A,VXU1,VXU1/A,VX16,VX16/A,VX8,VX8/A |
| | | | 1 | - | - | 3105643 | ----- |
| | | | - | (1) | 1 | | |
| 14 | 91406-671-000 | CLIP, WIRE HARNESS | 1 | - | - | ----- | ES4 |
| | 91406-166-000 | CLIP, WIRE | 1 | - | - | 3757520 | ES4/A |
| | | | 1 | - | - | 3757521 | VS5,VS6,VS7 |
| | | | 1 | - | - | ----- | ES4/A |
| 15 | 91406-729-000 | CLIP, HEAD | 1 | - | - | ----- | ES4,ES4/A |
| 16 | 94050-10000 | NUT, FLANGE, 10MM | 1 | - | - | ----- | EDE2,EDE2/A,EDK,EDN,EDN2,EDN2/A,EDN5,EDN5/A,EDS,EDS1,EDS1/A,EDS2,EDS2/A,EDS3,EDS4,EDS5,EDS6,EDS6/A,EDT,EDT/A,EDT1,EDT1/A,EDT2,EDT3,EDT6,EDT6/A,ED6,ED6/A,ED9,ED9/A,EMT,EMT/A,ENT,ENT/A,ENT2,EN6,EN6/A,ES1,ES1/A,ES2,ES3,ES3/A,ES4,ES4/A,ETS,ETX,HA,HAQ,HA2,HA2/A,HX,HX2,HX26,HX26/A,LKE,LKE/A,LSX,LX,LX/A,LXE,LXE/A,LXE2,LXE2/A,LXE4,LXE4/A,LXE6,LXE8,LXE8/A,LXQ4,LXQ4/A,LXU,LXU/A,LXZ,LX2,LX2/A,LX26,LX26/A,PKT2,PKT2/A,PKT4,PKT4/A,PKX2,PKX4,PKX4/A,PK,PK/A,PKA2,PXE8,PXE8/A,QA,QAB2,QAB2/A,QAC2,QAC2/A,QAE,QAE2,QAE2/A,QAE6,QAE6/A,QAG,QAG/A,QAQ2,QAQ2/A,QAP,QAPE,QAP2,QAP2/A,QAQ,QA2,QA2/A,QA26,QA26/A,QDW9,QDW9/A,QKA4/A,QL2,QMEO,QMEO/A,QME8,QME8/A,QMT2,QMT2/A,QMX2,QNE,QNE2,QNE2/A,QNE6,QNE9,QNE9/A,QNR2,QNR2/A,QNR6,QNR6/A,QN18,QPE2,QTC2,QTC2/A,QWH2,QWH2/A,QX,QX/A,QXB,QXB/A,QXB7,QXB7/A,QXC,QXC/A,QXC4,QXC4/A,QXC6,QXC6/A,QXC9,QXC9/A,QXE,QXE/A,QXEB,QXE2,QXE4,QXE4/A,QXE6,QXE6/A,QXE8,QXE8/A,QXQ4,QXQ4/A,QXU,QXU/A,QX2,SHT,SME0,SME0/A,SME2,SMX2,SMX2/A,STJ,STJ/A,SWX,SWX/A,SX,SX/A,SXB,SXB/A,SXB7,SXB7/A,SXE,SXE/A,SXEB,SXEB/A,SXE2,SXE4,SXE4/A,SXE8,SXE8/A,SXP,SXQ4,SXQ4/A,SXU,SXU/A,VA,VAA,VAE,VAD2,VAD2/A,VAH1,VAH2,VAW1,VA2,VA2/A,VC2,VC2/A,VDE,VDE2,VDE2/A,VD16,VEB6,VH12,VH12/A,VH22,VH22/A,VMQ,VMT,VMT/A,VMX,VNG,VNG1,VNG2,VSH7,VS2,VS3,VS4,VS5,VS6,VS7,VWA,VWA2,VWC,VWC2,VWC2/A,VVE,VVE2,VVE2/A,VWS2,VWS2/A,VW12,VW12/A,VX,VX/A,VXA,VXB,VXB/A,VXB2,VXB7,VXB7/A,VXE,VXE/A,VXEB,VXEB/A,VXE2,VXE2/A,VXE4,VXE6,VXE7,VXE7/A,VXE8,VXE8/A,VXG,VXK,VXQ4,VXQ4/A,VXU,VXU/A,VXU1,VXU1/A,VX16,VX16/A,VX8,VX8/A |
| | | | 1 | - | - | 3105643 | ----- |
| | | | - | (1) | 1 | | |
| 17 | 94109-12000 | WASHER, DRAIN PLUG, 12MM ---- | 2 | 2 | 2 | | |

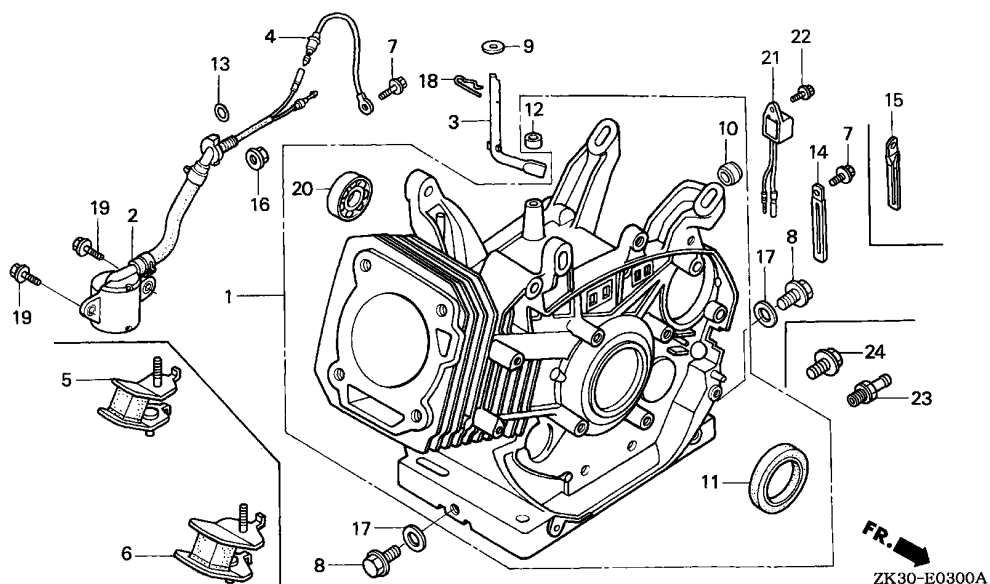




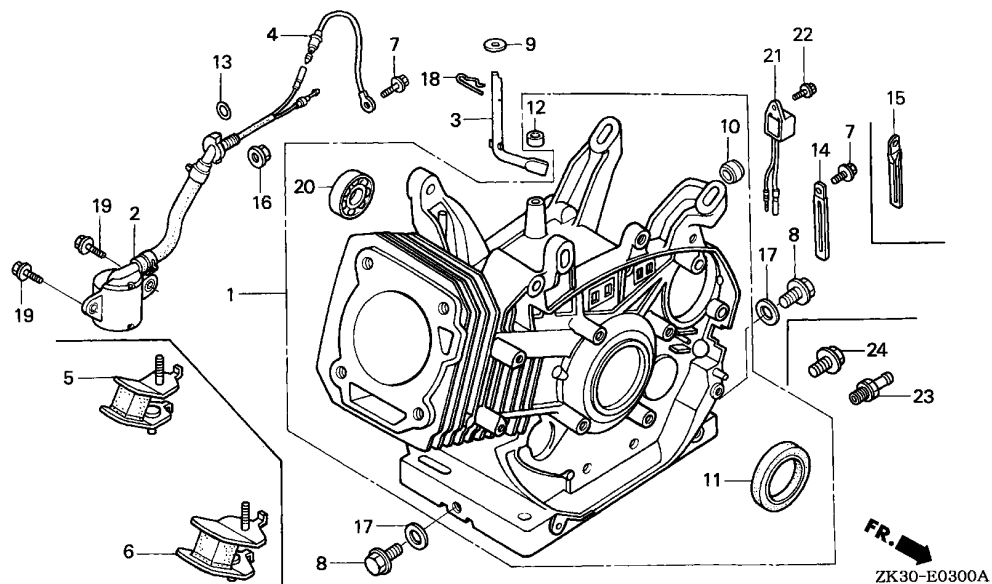
| Ref. No. | Part No. | Description | Reqd. QTY | | | Serial No. | Parts catalogue code |
|----------|-------------|----------------------|-----------|-------|-----|------------|--|
| | | | GX | 340K1 | | | |
| | | | (1) | (2) | (3) | | |
| 18 | 94251-08000 | PIN, LOCK, 8MM | 1 | 1 | - | 2367047 | BJ,EDS1,EDT1,LJ,LJG,L1,P1,Q1,SDE,SJ,SJG,STJ,STP,STQ,S1,V1,YJ,ZK1 |
| | | | 1 | - | - | 2366663 | EDN,EDS,EDS3,EDS5,ED7,ED8,ED9,EN,ES,ES1,ES3,ES4,ET,ETS,ETX,HA,HAQ HH,HX,LH,LHC,LHE,LKE,LX,LXE,LXZ,PX,QA,QAE,QAP,QAPE,QAQ,QE,QH,QHC QHE,QNE,QNE9,QN18,QP,QT,QX,QXB,QXC,QXE,QXEB,SE,SH,SHE,SHEZ,SHT SWX,SX,SXB,SXE,SXEB,SXP,VA,VAA,VAE,VAH1,VAH2,VAW1,VDE,VE,VH,VHE VNG,VNG1,VNG2,VWA,VX,VXA,VXB,VXE,VXEB,VXG,VXU,VXU1 |
| | | | 1 | - | - | 2366735 | LHQ4,LXE4,LXQ4,QHQ4,QMED,QXC4,QXE4,QXQ4,SHQ4,SMED,SXE4,SXQ4,VXE4 VXQ4 |

| Ref. No. | Part No. | Description | Reqd. QTY | | | Serial No. | Parts catalogue code |
|----------|----------------|-------------------------------|-----------|-----|-----|---------------|---|
| | | | (1) | (2) | (3) | | |
| 18) | 94251-10000 | PIN, LOCK, 10MM | 1 | 1 | - | ----- | EDE2,EDE2/A,EDK,EDN2,EDN2/A,EDN5,EDN5/A,EDS1/A,EDS2,EDS2/A,EDS4,EDS6,EDS6/A,EDT,EDT/A,EDT1/A,EDT2,EDT3,EDT6,EDT6/A,ED6,ED6/A,ED8/A,ED9/A,EMT,EMT/A,ENT,ENT/A,ENT2,EN6,EN6/A,ES1/A,ES2,ES3/A,ES4/A,HA2,HA2/A,HX2,HX26,HX26/A,LH/A,LHB1,LHB3,LHB3/A,LHB5,LHE/A,LHQ4/A,LHW,LJ/A,LJG/A,LJS,LJS/A,LJS1,LKE/A,LSX,LT,LT/A,LWD,LWD1,LWD1/A,LX/A,LXE/A,LXE2,LXE2/A,LXE4/A,LXE6,LXE8,LXE8/A,LXQ4/A,LXU,LXU/A,LX2,LX2/A,LX26,LX26/A,L1/A,PKT2,PKT2/A,PKT4,PKT4/A,PKX2,PKX4,PKX4/A,PX/A,PXA2,PXE8,PXE8/A,P1/A,QAB2,QAB2/A,QAC2,QAC2/A,QAE2,QAE2/A,QAE6,QAE6/A,QAG,QAG/A,QA2,QA2/A,QAP2,QAP2/A,QA2,QA2/A,QA26,QA26/A,QDW9,QDW9/A,QE/A,QH/A,QHB3,QHB3/A,QHB5,QHE/A,QHP1,QHP1/A,QHQ4/A,QH2,QKA4,QKA4/A,QL2,QMEO/A,QME8,QME8/A,QMH,QMH/A,QMT2,QMT2/A,QMX2,QNE2,QNE2/A,QNE6,QNE9/A,QNR2,QNR2/A,QNR6,QNR6/A,QP/A,QPE2,QT/A,QTC2,QTC2/A,QWH2,QWH2/A,QX/A,QXB/A,QXB7,QXB7/A,QXC/A,QXC4/A,QXC6,QXC6/A,QXC9,QXC9/A,QXE/A,QXE2,QXE4/A,QXE6,QXE6/A,QXE8,QXE8/A,QXQ4/A,QXU,QXU/A,QX2,Q1/A,SE/A,SH/A,SHB1,SHB3,SHB3/A,SHQ4/A,SJ/A,SJG/A,SKE,SKE/A,SKZ,SKZ/A,SME0/A,SME2,SME2/A,SMX2,SMX2/A,STJ/A,STP/A,STQ/A,STR,STR/A,SWX/A,SWX/A,SWX/A,SWX7,SWX7/A,SXE/A,SXEB/A,SXE2,SXE4/A,SXE8,SXE8/A,SXQ4/A,SXU,SXU/A,S1/A,VAD2,VAD2/A,VA2,VA2/A,VC2,VC2/A,VDE2,VDE2/A,VD16,VEB6,VH12,VH12/A,VH22,VH22/A,VMQ,VMT,VMT/A,VMX,VSH7,VS2,VS3,VS4,VS5,VS6,VS7,VTE2,VWA2,VWC2,VWC2/A,VVE,VVE2,VVE2/A,VWS2,VWS2/A,VW12,VW12/A,VX/A,VXB/A,VXB2,VXB7,VXB7/A,VXE/A,VXEB/A,VXE2,VXE2/A,VXE6,VXE7,VXE7/A,VXE8,VXE8/A,VXK,VXQ4/A,VXU/A,VXU1/A,VX16,VX16/A,VX8,VX8/A,ZK1/A |
| | | | 1 | 1 | - | 2367048 ----- | BJ,EDS1,EDT1,LJ,LJG,L1,P1,Q1,SDE,SJ,SJG,STJ,STP,STQ,S1,V1,YJ,ZK1 |
| | | | 1 | - | - | 2366664 ----- | EDN,EDS,EDS3,EDS5,ED7,ED8,ED9,EN,ES,ES1,ES3,ES4,ET,ET,HA,HAQ,HH,HX,LH,LHC,LHE,LKE,LX,LXE,LXZ,PX,QA,QAE,QAP,QAPE,QAQ,QE,QH,QHC,QHE,QNE,QNE9,QN18,QP,QT,QX,QXB,QXC,QXE,QXE8,SE,SH,SHE,SHEZ,SHT,SWX,SWX,A,SWX,SXE,SXEB,SXP,VA,VAA,VAAE,VAH1,VAH2,VAW1,VDE,VE,VH,VHE,VNG,VNG1,VNG2,VWA,VX,VXA,VXB,VXE,VXEB,VXG,VXU,VXU1 |
| | | | 1 | - | - | 2366736 ----- | LHQ4,LXE4,LXQ4,QHQ4,QMEO,QXC4,QXE4,QXQ4,SHQ4,SME0,SXE4,SXQ4,VXE4,VXQ4 |
| | | | - | - | 1 | | |
| 19 | 95701-06012-00 | BOLT, FLANGE, 6X12 | 2 | - | - | ----- | EDE2,EDE2/A,EDK,EDN,EDN2,EDN2/A,EDN5,EDN5/A,EDS,EDS1,EDS1/A,EDS2,EDS2/A,EDS3,EDS4,EDS5,EDS6,EDS6/A,EDT,EDT/A,EDT1,EDT1/A,EDT2,EDT3,EDT6,EDT6/A,ED6,ED6/A,ED9,ED9/A,EMT,EMT/A,ENT,ENT/A,ENT2,EN6,EN6/A,ES1,ES1/A,ES2,ES3,ES3/A,ES4,ES4/A,ETS,ETX,HA,HAQ,HA2,HA2/A,HX,HX2,HX26,HX26/A,LKE,LKE/A,LSX,LX,LX/A,LXE,LXE/A,LXE2,LXE2/A,LXE4,LXE4/A,LXE6,LXE8,LXE8/A,LXQ4,LXQ4/A,LXU,LXU/A,LX2,LX2/A,LX26,LX26/A,PKT2,PKT2/A,PKT4,PKT4/A,PKX2,PKX4,PKX4/A,PX,PX/A,PXA2,PXE8,PXE8/A,QA,QAB2,QAB2/A,QAC2,QAC2/A,QAE,QAE2/A,QAE6,QAE6/A,QAG,QAG/A,QA2,QA2/A,QAP2,QAP2/A,QAQ,QA2,QA2/A,QA26,QA26/A,QDW9,QDW9/A,QKA4/A,QL2,QMEO,QMEO/A,QME8,QME8/A,QMT2,QMT2/A,QMX2,QNE,QNE2,QNE2/A,QNE6,QNE9,QNE9/A,QNR2,QNR2/A,QNR6,QNR6/A,QN18,QPE2,QTC2,QTC2/A,QWH2,QWH2/A,QX,QX/A,QXB,QXB/A,QXB7,QXB7/A,QXC,QXC/A,QXC4,QXC4/A,QXC6,QXC6/A,QXC9,QXC9/A,QXE,QXE/A,QXE2,QXE2,QXE4,QXE4/A,QXE6,QXE6/A,QXE8,QXE8/A,QXQ4,QXQ4/A,QXU,QXU/A,QX2,SHT,SME0,SME0/A,SME2,SMX2,SMX2/A,STJ,STJ/A,SWX,SWX/A,SWX,SWX/A,SWX7,SWX7/A,SXE,SXE/A,SXEB,SXEB/A,SXE2,SXE4,SXE4/A,SXE8,SXE8/A,SXP,SXQ4,SXQ4/A,SXU,SXU/A,VA,VAA,VAAE,VAD2,VAD2/A,VAH1,VAH2,VAW1,VA2,VA2/A,VC2,VC2/A,VDE,VDE2,VDE2/A,VD16,VEB6,VH12,VH12/A,VH22,VH22/A,VMQ,VMT,VMT/A,VMX,VNG,VNG1,VNG2,VSH7,VS2,VS3,VS4,VS5,VS6,VS7,VWA,VWA2,VWC,VWC2,VWC2/A,VVE,VVE2,VVE2/A,VWS2,VWS2/A,VW12,VW12/A,VX,VX/A,VXA,VXB,VXB/A,VXB2,VXB7,VXB7/A,VXE,VXE/A,VXEB,VXEB/A,VXE2,VXE2/A,VXE4,VXE6,VXE7,VXE7/A,VXE8,VXE8/A,VXG,VXK,VXQ4,VXQ4/A,VXU,VXU/A,VXU1,VXU1/A,VX16,VX16/A,VX8,VX8/A |
| | | | 2 | - | - | 3105643 ----- | QKA4 |
| | | | - | (2) | 2 | | |
| 20 | 96100-62020-00 | BEARING, RADIAL BALL, 6202 .. | 1 | 1 | 1 | | |





| Ref. No. | Part No. | Description | Reqd. QTY | | | Serial No. | Parts catalogue code | |
|----------|---------------|-----------------------|-----------|-------|-----|------------|---|--|
| | | | GX | 340K1 | | | | |
| | | | (1) | (2) | (3) | | | |
| 21 | 34150-ZH7-003 | ALERT UNIT, OIL | 1 | (1) | - | ----- | EDE2/A,EDN2/A,EDN5/A,EDS2/A,EDS6,EDS6/A,EDT,EDT/A,EDT6,EDT6/A,ED6/A,EMT,ENT,ENT/A,ENT2,EN6,EN6/A,HA2/A,HX26/A,LXQ4/A,LXU,LXU/A,LX2/A,LX26/A,PKT2/A,PKT4,PKT4/A,PKX2,PKX4,PKX4/A,PXA2,P1/A,QAB2,QAB2/A,QAC2,QAC2/A,QAG,QAG/A,QA2/A,QAP2/A,QA2/A,QA26/A,QDW9/A,QKA4/A,QMT2/A,QTC2/A,QWH2,QWH2/A,QXB/A,QXB7,QXB7/A,QXC/A,QXC4/A,QXC6/A,QXC9/A,QXQ4/A,QXU,QXU/A,Q1/A,SMX2/A,SWX/A,SXB/A,SXB7,SXB7/A,SXQ4/A,SXU,SXU/A,VAD2/A,VA2/A,VC2,VC2/A,VDE2/A,VH12/A,VMT,VSH7,VWC,VWC2/A,VWE,VWS2/A,VW12/A,VXB/A,VXB7,VXB7/A,VXQ4/A,VX16/A,VX8,VX8/A | |
| | | | 1 | (1) | - | 2801238 | ----- | EDE2,EDN,EDN2,EDN5,EDS,EDS1,EDS2,EDS3,EDS5,EDT1,EDT2,ED6,ED9,ES1,ES3,ES4,HA2,HX2,HX26,LSX,LX,LXQ4,LX2,LX26,L1,PKT2,PX,P1,QA2,QAP2,QA2,QA26,QDW9,QMT2,QMX2,QTC2,QX,QXB,QXC,QXC4,QXC6,QXC9,QXQ4,Q1,SMX2,STJ,SWX,SX,SXB,SXQ4,S1,VAD2,VA2,VDE2,VH12,VMX,VWA2,VWC2,VMS2,VW12,VX,VXB,VXQ4,VXU,VX16 |
| | | | 1 | (1) | - | 4074558 | ----- | EDK,EDS1/A,EDS4,EDT1/A,ED9/A,EMT/A,ES1/A,ES3/A,ES4/A,LX/A,L1/A,PX/A,QX/A,STJ/A,SX/A,S1/A,VMQ,VMT/A,VS3,VS4,VS5,VS6,VX/A,VXK,VXU/A |
| | | | 1 | - | - | 3105643 | ----- | QKA4 |
| | | | - | - | 1 | | | |
| | 34150-ZH7-013 | | 1 | (1) | - | 4074559 | ----- | EDK,EDS1/A,EDS4,EDT1/A,ED9/A,EMT/A,ES1/A,ES3/A,ES4/A,LX/A,L1/A,PX/A,QX/A,STJ/A,SX/A,S1/A,VMQ,VMT/A,VS3,VS4,VS5,VS6,VX/A,VXK,VXU/A |
| | | | 1 | - | - | ----- | ----- | EDT3,ES2,VS2,VS7 |

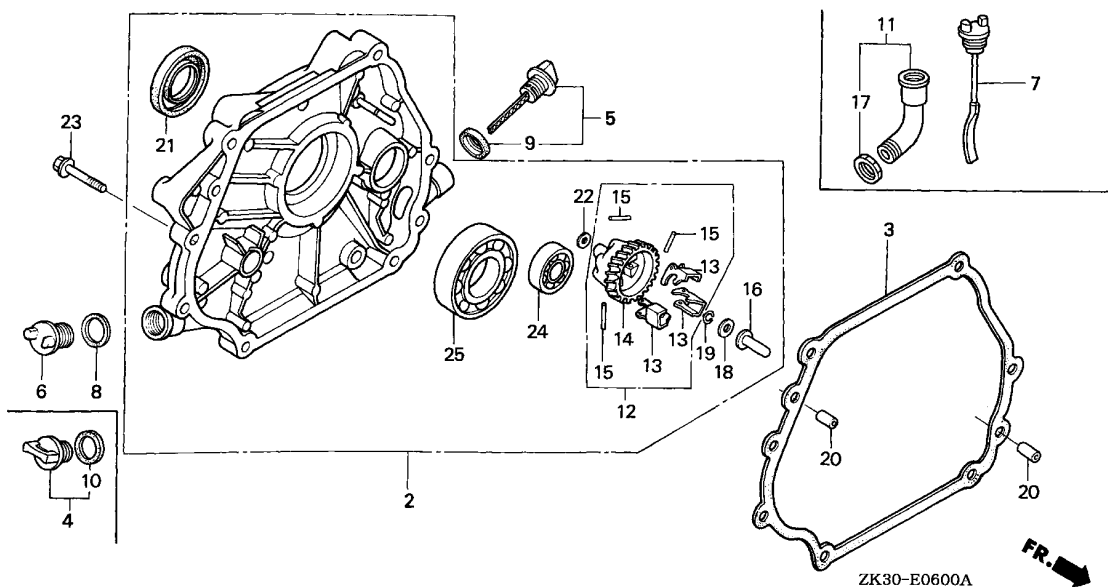


| Ref. No. | Part No. | Description | Reqd. QTY | | | Serial No. | Parts catalogue code | |
|----------|---------------|-------------------------------|-----------|-----|-----|------------|--|--|
| | | | GX | (1) | (2) | | | (3) |
| 22 | 90013-883-000 | BOLT, FLANGE, 6X12(CT200) ... | 1 | (1) | - | ----- | EDE2/A,EDK,EDN2/A,EDN5/A,EDS1/A,EDS2/A,EDS4,EDS6,EDS6/A,EDT,EDT/A,EDT1/A,EDT3,EDT6,EDT6/A,ED6/A,ED9/A,EMT,EMT/A,ENT,ENT/A,ENT2,EN6,EN6/A,ES1/A,ES2,ES3/A,ES4/A,HA2/A,HX26/A,LX/A,LXQ4/A,LXU,LXU/A,LX2/A,LX26/A,L1/A,PKT2/A,PKT4,PKT4/A,PKX2,PKX4,PKX4/A,PX/A,PXA2,P1/A,QAB2,QAB2/A,QAC2,QAC2/A,QAG,QAG/A,QA2/A,QA2/A,QA26/A,QA26/A,QDW9/A,QKA4/A,QMT2/A,QTC2/A,QWH2,QWH2/A,QX/A,QXB/A,QXB7,QXB7/A,QXC/A,QXC4/A,QXC6/A,QXC9/A,QXQ4/A,QXU,QXU/A,Q1/A,SMX2/A,STJ/A,SWX/A,SX/A,SXB/A,SXB7,SBX7/A,SXQ4/A,SXU,SXU/A,S1/A,VAD2/A,VA2/A,VC2,VC2/A,VDE2/A,VH12/A,VMQ,VMT,VMT/A,VSH7,VS2,VS3,VS4,VS5,VS6,VS7,VWC,VWC2/A,VWE,VWS2/A,VW12/A,VX/A,VXB/A,VXB7,VXB7/A,VXK,VXQ4/A,VXU/A,VX16/A,VX8,VX8/A | |
| | | | 1 | (1) | - | 2801238 | ----- | EDE2,EDN,EDN2,EDN5,EDS,EDS1,EDS2,EDS3,EDS5,EDT1,EDT2,ED6,ED9,ES1,ES3,ES4,HA2,HX2,HX26,LSX,LX,LXQ4,LX2,LX26,L1,PKT2,PX,P1,QA2,QAP2,QA2,QA26,QDW9,QMT2,QMX2,QTC2,QX,QXB,QXC,QXC4,QXC6,QXC9,QXQ4,Q1,SMX2,STJ,SWX,SX,SXB,SXQ4,S1,VAD2,VA2,VDE2,VH12,VMX,VWA2,VWC2,VWS2,VW12,VX,VXB,VXQ4,VXU,VX16 |
| | | | 1 | - | - | 3105643 | ----- | QKA4 |
| | | | - | - | 1 | | | |
| 23 | 90131-ZE3-790 | PLUG, OIL DRAIN | 1 | - | - | ----- | 2362399 | ZK1 |
| 24 | 92800-12000 | BOLT, DRAIN PLUG, 12MM | 1 | - | - | ----- | | ZK1,ZK1/A |

E-6

CRANKCASE COVER(1)

F14



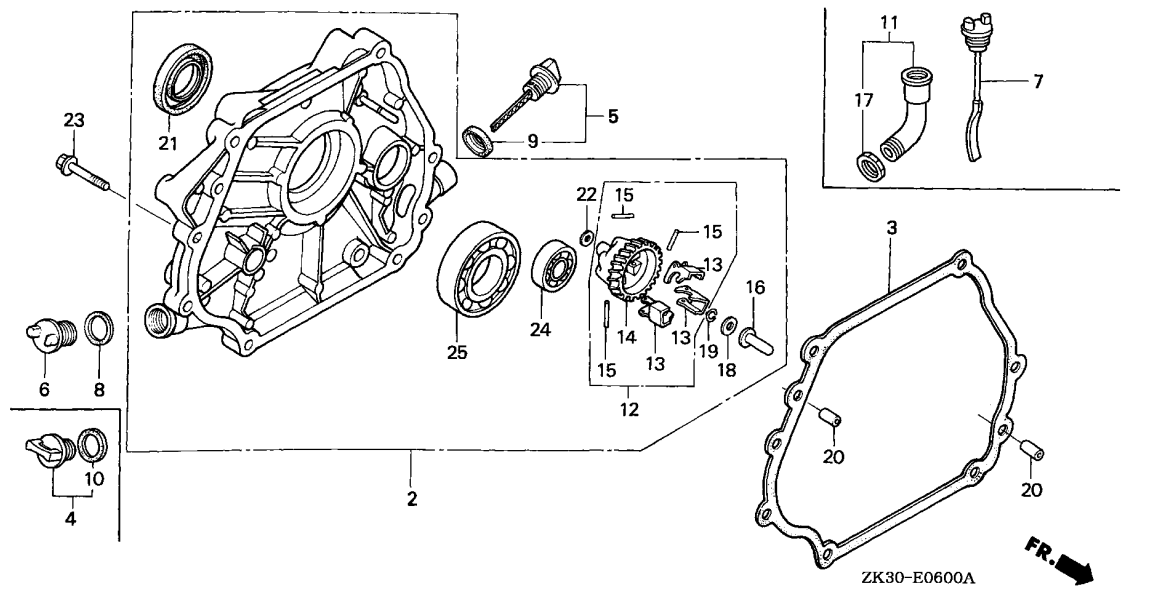
| Ref. No. | L.O.N. | (Relative ref. Number) Description | F.R.T. |
|----------|--------|---|--------|
| 2 | 1101F1 | COVER, CRANKCASE | 0.2 |
| 3 | 1101E9 | PACKING, CRANKCASE COVER | 0.2 |
| 11 | 1101B9 | EXTENSION, OIL FILLER AND/OR PACKING, OIL FILLER EXTENSION (13) | 0.1 |
| 14 | 1161A7 | HOLDER, GOVERNOR WEIGHT | 0.3 |
| 16 | 1161B6 | SLIDER, GOVERNOR | 0.3 |
| 21 | 1101E5 | OIL SEAL, CRANKSHAFT :REAR ... | 0.3 |
| 24 | 1101F5 | BEARING, BALANCER WEIGHT :REAR | 0.4 |
| 25 | 1101A6 | BEARING, CRANKSHAFT :REAR | 0.4 |

| Ref. No. | Part No. | Description | Reqd. QTY | | | Serial No. | Parts catalogue code |
|----------|---------------|------------------------------|-----------|-----|-----|---|----------------------|
| | | | GX | (1) | (2) | | |
| 2 | 11300-ZE3-020 | COVER ASSY., CRANKCASE | 1 | - | - | EDN,EDS,EDS3,EDS5,EDT2,ED7,EN,SDE,SHB1,SHE,SHEZ,SHT,SME2,SXE2,VTE2,YJ | |
| | | | 1 | - | - | 3460754 EDE2,EDN2,EDN5,EDS1,EDS2,EDS6,EDT,EDT1,EDT6,ED6,ED8,ED9,ENT,EN6,SE,SH,SHB3,SHQ4,SJ,SJG,SKE,SKZ,SME0,SMX2,STJ,STP,STQ,STR,SWX,SXSB,SXE,SXEB,SXE4,SXE8,SXQ4,SXU | |
| | 11300-ZE3-602 | | 1 | 1 | - | QA,QAE,QAP,QAPE,QAQ,QHC,QH2,QL2,QMX2,QNE,QNE6,QN18,QPE2,QXEB,QXE2,QX2,SXP,VA,VAA,VAAE,VAH1,VAH2,VAW1,VDE,VD16,VE,VEB6,VH,VHE,VMX,VNG,VNG1,VNG2,VWA,VWA2,VXA,VXB2,VXE4,VXE6,VXG,V1 | |
| | | | 1 | - | - | 3460754 PKT2,PKT4,PKX4,PX,PXE8,QAB2,QAC2,QAE2,QAE6,QAG,QAQ2,QAP2,QA2,QA26,QDW9,QE,QH,QHB3,QHE,QHP1,QHQ4,QKA4,QME0,QME8,QMH,QMT2,QNE2,QNE9,QNR2,QNR6,QP,QT,QTC2,QWH2,QX,QXB,QXC,QXC4,QXC6,QXC9,QXE,QXE4,QXE6,QXE8,QXQ4,QXU,VAD2,VA2,VC2,VDE2,VH12,VH22,VWC2,VWE2,VWS2,VW12,VXVXB,VXE,VXEB,VXE2,VXE8,VXQ4,VXU,VXU1,VX16,VX8 | |
| | 11300-ZE3-U40 | | - | - | 1 | ET,ETS,ETX | |
| | 11300-ZE3-040 | | 1 | 1 | - | EDE2/A,EDK,EDN2/A,EDN5/A,EDS1/A,EDS2/A,EDS4,EDS6/A,EDT/A,EDT1/A,EDT3,EDT6/A,ED6/A,ED8/A,ED9/A,ENT/A,ENT2,EN6/A,PKX2,SE/A,SH/A,SHB3/A,SHQ4/A,SJ/A,SJG/A,SKE/A,SKZ/A,SME0/A,SMX2/A,STJ/A,STP/A,STQ/A,STR/A,SWX/A,SX/A,SXB/A,SXB7/A,SXE/A,SXEB/A,SXE4/A,SXE8/A,SXQ4/A,SXU/A,S1,S1/A | |
| | | | 1 | - | - | 3460755 EDE2,EDN2,EDN5,EDS1,EDS2,EDS6,EDT,EDT1,EDT6,ED6,ED8,ED9,ENT,EN6,SE,SH,SHB3,SHQ4,SJ,SJG,SKE,SKZ,SME0,SMX2,STJ,STP,STQ,STR,SWX,SXSB,SXE,SXEB,SXE4,SXE8,SXQ4,SXU | |

2

| Ref. No. | Part No. | Description | Reqd. QTY | | | Serial No. | Parts catalogue code | |
|----------|---------------|------------------------------|-----------|-----|-----|------------|--|--|
| | | | (1) | (2) | (3) | | | |
| (2) | 11300-ZE3-604 | COVER ASSY., CRANKCASE | 1 | 1 | - | ----- | PKT2/A,PKT4/A,PX/A,PXA2,PXE8/A,P1,P1/A,QAB2/A,QAC2/A,QAE2/A,QAE6/A,QAG/A,QA2/A,QAH2/A,QAP2/A,QA2/A,QA26/A,QDW9/A,QE/A,QH/A,QHB3/A,QHB5,QHE/A,QHP1/A,QHQ4/A,QKA4/A,QMEO/A,QME8/A,QMH/A,QMT2/A,QNE2/A,QNE9/A,QNR2/A,QNR6/A,QP/A,QT/A,QTC2/A,QWH2/A,QX/A,QXB/A,QXB7/QXB7/A,QXC/A,QXC4/A,QXC6/A,QXC9/A,QXE/A,QXE4/A,QXE6/A,QXE8/A,QXQ4/A,QXU/A,Q1,Q1/A,VAD2/A,VA2/A,VC2/A,VDE2/A,VH12/A,VH22/A,VMQ/VMT,VMT/A,VSH7,VWC,VWC2/A,VWE,VWE2/A,VWS2/A,VW12/A,VX/A,VXB/A,VXB7,VXB7/A,VXE/A,VXEB/A,VXE2/A,VXE7,VXE7/A,VXE8/A,VXK,VXQ4/A,VXU/A,VXU1/A,VX16/A,VX8/A | |
| | | | 1 | - | - | 3460755 | ----- | PKT2,PKT4,PKX4,PX,PXE8,QAB2,QAC2,QAE2,QAE6,QAG,QA2,QAP2,QA2,QA26,QDW9,QE,QH,QHB3,QHE,QHP1,QHQ4,QKA4,QMEO,QME8,QMH,QMT2,QNE2,QNE9,QNR2,QNR6,QP,QT,QTC2,QWH2,QX,QXB,QXC,QXC4,QXC6,QXC9,QXE,QXE4,QXE6,QXE8,QXQ4,QXU,VAD2,VA2,VC2,VDE2,VH12,VH22,VWC2,VWE2,VWS2,VW12,VX,VXB,VXE,VXEB,VXE2,VXE8,VXQ4,VXU,VXU1,VX16,VX8 |
| | 11300-ZE3-040 | | 1 | - | - | 3681345 | ----- | PKX4/A |
| | 11300-ZE3-P70 | | 1 | - | - | 3681346 | ----- | PKX4/A |
| 3 | 11381-ZE3-801 | PACKING, CASE COVER | 1 | (1) | - | ----- | ----- | VS2,VS3,VS4,VS5,VS6,VS7 EDE2,EDE2/A,EDK,EDN,EDN2,EDN2/A,EDN5,EDN5/A,EDS,EDS1,EDS1/A,EDS2,EDS2/A,EDS3,EDS4,EDS5,EDS6/A,EDT,EDT1/A,EDT1/A,EDT2,EDT3,EDT6,EDT6/A,ED6,ED6/A,ED7,ED8,ED8/A,ED9,ED9/A,EN,ENT,ENT/A,ENT2,EN6,EN6/A,ET,ETS,ETX,PKT2,PKT2/A,PKT4,PKT4/A,PKX2,PKX4,PKX4/A,PX,PX/A,PXA2,PXE8,PXE8/A,P1,P1/A,QA,QAB2,QAB2/A,QAC2,QAC2/A,QAE,QAE2,QAE2/A,QAE6,QAE6/A,QAG,QAG/A,QA2,QAH2,QA2/A,QAP,QAPE,QAP2,QAP2/A,QA2,QA2/A,QA26,QA26/A,QDW9,QDW9/A,QE,QE/A,QH,QH/A,QHB3,QHB3/A,QHB5,QHC,QHE,QHE/A,QHP1,QHP1/A,QHQ4,QHQ4/A,QH2,QKA4,QKA4/A,QL2,QMEO,QMEO/A,QME8,QME8/A,QMH,QMH/A,QMT2,QMT2/A,QMX2,QNE,QNE2,QNE2/A,QNE6,QNE9,QNE9/A,QNR2,QNR2/A,QNR6,QNR6/A,QN18,QP,QP/A,QPE2,QT,QT/A,QTC2,QTC2/A,QWH2,QWH2/A,QX,QX/A,QXB,QXB/A,QXB7,QXB7/A,QXC,QXC/A,QXC4,QXC4/A,QXC6,QXC6/A,QXC9,QXC9/A,QXE,QXE/A,QXEB,QXE2,QXE4,QXE4/A,QXE6,QXE6/A,QXE8,QXE8/A,QXQ4,QXQ4/A,QXU,QXU/A,QX2,Q1,Q1/A,SDE,SE,SE/A,SH,SH/A,SHB1,SHB3,SHB3/A,SHE,SHE2,SHQ4,SHQ4/A,SHT,SJ,SJ/A,SJG,SJG/A,SKE,SKE/A,SKZ,SKZ/A,SME0,SME0/A,SME2,SMX2,SMX2/A,STJ,STJ/A,STP,STP/A,STQ,STQ/A,STR,STR/A,SWX,SWX/A,SX,SX/A,SXB,SXB/A,SXB7,SXB7/A,SXE,SXE/A,SXEB,SXEB/A,SXE2,SXE4,SXE4/A,SXE8,SXE8/A,SXP,SXQ4,SXQ4/A,SXU,SXU/A,S1,S1/A,VA,VAA,VAAE,VAD2,VAD2/A,VAH1,VAH2,VAW1,VA2,VA2/A,VC2,VC2/A,VDE,VDE2,VDE2/A,VD16,VE,VEB6,VH,VHE,VH12,VH12/A,VH22,VH22/A,VMQ,VMX,VNG,VNG1,VNG2,VSH7,VS2,VS3,VS4,VS5,VS6,VS7,VTE2,VWA,VWA2,VWC,VWC2,VWC2/A,VWE,VWE2,VWE2/A,VWS2,VWS2/A,VW12,VW12/A,VX,VX/A,VXA,VXB,VXB/A,VXB2,VXB7,VXB7/A,VXE,VXE/A,VXEB,VXEB/A,VXE2,VXE2/A,VXE4,VXE6,VXE7,VXE7/A,VXE8,VXE8/A,VXG,VXK,VXQ4,VXQ4/A,VXU,VXU/A,VXU1,VXU1/A,VX16,VX16/A,VX8,VX8/A,V1,YJ |
| | | | - | - | 1 | | | |

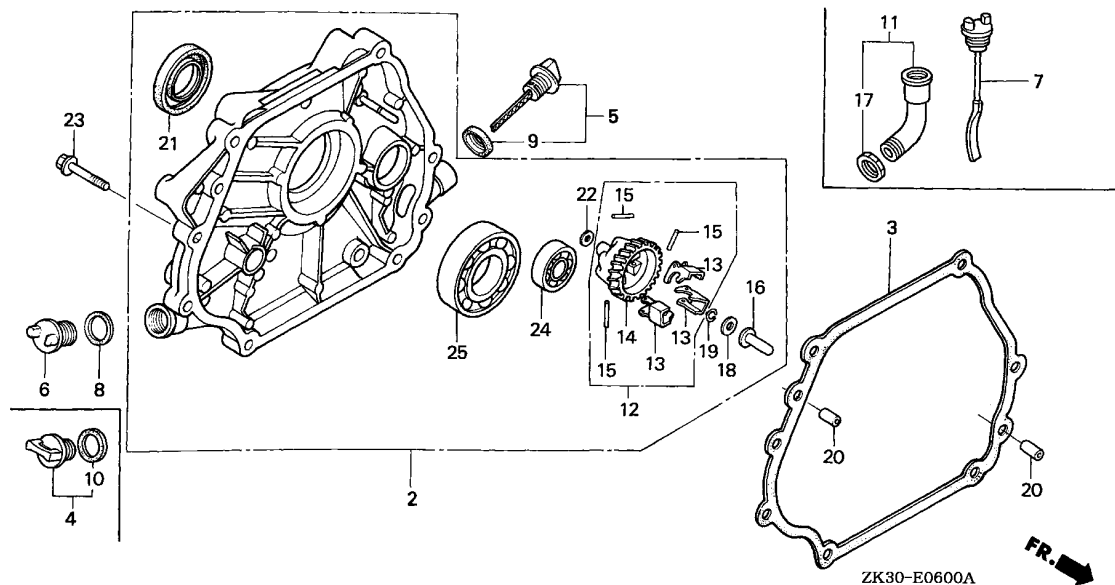




| Ref. No. | Part No. | Description | Reqd. QTY | | | Serial No. | Parts catalogue code | | | | | |
|----------|---------------|-----------------------------|-----------|-------|-----|------------|--|--|--|--|--|--|
| | | | GX | 340K1 | | | | | | | | |
| | | | (1) | (2) | (3) | | | | | | | |
| 4 | 15600-ZG4-003 | CAP ASSY., OIL FILLER | 1 | 1 | - | ----- | EDE2,EDE2/A,EDK,EDN2,EDN2/A,EDN5,EDN5/A,EDS1/A,EDS2,EDS2/A,EDS3,EDS4,EDS5,EDS6,EDS6/A,EDT,EDT/A,EDT1/A,EDT2,EDT3,EDT6,EDT6/A,ED6/A,ED8/A,ED9/A,ENT,ENT/A,ENT2,EN6,EN6/A,PKT2,PKT2/A,PKT4,PKT4/A,PKX2,PKX4,PKX4/A,PX/A,PXA2,PXE8,PXE8/A,P1/A,QAB2,QAB2/A,QAC2,QAC2/A,QAE2,QAE2/A,QAE6,QAE6/A,QAG,QAG/A,QA2,QA2/A,QAP,QAPE,QAP2,QAP2/A,QA2,QA2/A,QA26,QA26/A,QDW9,QDW9/A,QE/A,QH/A,QHB3,QHB3/A,QHB5,QHE/A,QHP1,QHP1/A,QHQ4,QHQ4/A,QH2,QKA4,QKA4/A,QL2,QME0,QME0/A,QME8,QME8/A,QMH,QMH/A,GMT2,GMT2/A,QMX2,QNE2,QNE2/A,QNE6,QNE9/A,QNR2,QNR2/A,QNR6,QNR6/A,QN18,QP/A,QPE2,QT/A,QTC2,QTC2/A,QWH2,QWH2/A,QX/A,QXB/A,QXB7/A,QXC/A,QXC4,QXC4/A,QXC6,QXC6/A,QXC9,QXC9/A,QXE/A,QXE2,QXE4,QXE4/A,QXE6,QXE6/A,QXE8,QXE8/A,QXQ4,QXQ4/A,QXU,QXU/A,QX2,Q1/A,SDE,SE/A,SH/A,SHB1,SHB3,SHB3/A,SHQ4,SHQ4/A,SHT,SJ/A,SJG,SJG/A,SKE,SKE/A,SKZ,SKZ/A,SME0,SME0/A,SME2,SMX2,SMX2/A,STJ/A,STP/A,STQ/A,STR,STR/A,SWX/A,SX/A,SXB/A,SXB7,SXB7/A,SXE/A,SXEB/A,SXE2,SXE4,SXE4/A,SXE8,SXE8/A,SXQ4,SXQ4/A,SXU,SXU/A,S1/A,VAD2,VAD2/A,VAH1,VAH2,VAW1,VA2,VA2/A,VC2,VC2/A,VDE,VDE2,VDE2/A,VD16,VDE6,VH12,VH12/A,VH22,VH22/A,VMQ,VMX,VSH7,VS2,VS3,VS4,VS5,VS6,VS7,VTE2,VVA,VVA2,VWC,VWC2,VWC2/A,VWE,VWE2,VWE2/A,VWS2,VWS2/A,VW12,VW12/A,VX/A,VXB/A,VXB2,VXB7,VXB7/A,VXE/A,VXEB/A,VXE2,VXE2/A,VXE4,VXE6,VXE7,VXE7/A,VXE8,VXE8/A,VXG,VXK,VXQ4,VXQ4/A,VXU,VXU/A,VXU1,VXU1/A,VX16,VX16/A,VX8,VX8/A | | | | | |
| | | | 1 | 1 | - | 2259155 | ----- EDN,EDS,ED6,ED7,ED8,ED9,EN,ET,ETS,ETX,PX,P1,QA,QAE,QAQ,QE,QH,QHC,QHE,QNE,QNE9,QP,QT,QX,QXB,QXC,QXE,QXEB,Q1,SE,SH,SHE,SHEZ,SJ,STJ,STP,STQ,SWX,SX,SXB,SXE,SXEB,SXP,S1,VA,VAA,VAAE,VE,VH,VHE,VNG,VNG1,VNG2,VX,VXA,VXB,VXE,VXEB,V1,YJ | | | | | |
| | | | 1 | - | - | 2258974 | ----- EDS1,EDT1 | | | | | |
| | | | - | - | 1 | | | | | | | |

| Ref. No. | Part No. | Description | Reqd. QTY | | | Serial No. | Parts catalogue code |
|----------|---------------|-------------------------------|-----------|-----|-----|------------|---|
| | | | (1) | (2) | (3) | | |
| 5 | 15600-735-003 | CAP ASSY., OIL FILLER | 1 | 1 | - | ----- | EDE2,EDE2/A,EDK,EDN,EDN2,EDN2/A,EDN5,EDN5/A,EDS,EDS1,EDS1/A,EDS2,EDS2/A,EDS3,EDS4,EDS5,EDS6,EDS6/A,EDT,EDT/A,EDT1,EDT1/A,EDT2,EDT3,EDT6,EDT6/A,ED6,ED6/A,ED7,ED8,ED8/A,ED9,ED9/A,EN,ENT,ENT/A,ENT2,EN6,EN6/A,ET,ETS,ETX,PKT2,PKT2/A,PKT4,PKT4/A,PKX2,PKX4,PKX4/A,PX,PX/A,PXA2,PXE8,PXE8/A,P1,P1/A,QA,QAB2,QAB2/A,QAC2,QAC2/A,QAE,QAE2,QAE2/A,QAE6,QAE6/A,QAG,QAG/A,QAQ2,QAQ2/A,QAP,QAPE,QAP2,QAP2/A,QAQ,QA2,QA2/A,QA26,QA26/A,QDW9,QDW9/A,QE,QE/A,QH,QH/A,QHB3,QHB3/A,QHB5,QHC,QHE,QHE/A,QHP1,QHP1/A,QHQ4,QHQ4/A,QH2,QKA4,QKA4/A,QL2,QMEO,QMEO/A,QME8,QME8/A,QMH,QMH/A,QMT2,QMT2/A,QMX2,QNE,QNE2,QNE2/A,QNE6,QNE9,QNE9/A,QNR2,QNR2/A,QNR6,QNR6/A,QN18,QP,QP/A,QPE2,QT,QT/A,QTC2,QTC2/A,QWH2,QWH2/A,QX,QX/A,QXB,QXB/A,QXB7,QXB7/A,QXC,QXC/A,QXC4,QXC4/A,QXC6,QXC6/A,QXC9,QXC9/A,QXE,QXE/A,QXEB,QXE2,QXE4,QXE4/A,QXE6,QXE6/A,QXE8,QXE8/A,QXQ4,QXQ4/A,QXU,QXU/A,QX2,Q1,Q1/A,SDE,SE,SE/A,SH,SH/A,SHB1,SHB3,SHB3/A,SHE,SHEZ,SHQ4,SHQ4/A,SHT,SJ,SJ/A,SJG,SJG/A,SKE,SKE/A,SKZ,SKZ/A,SME0,SME0/A,SME2,SMX2,SMX2/A,STJ,STJ/A,STP,STP/A,STQ,STQ/A,STR,STR/A,SWX,SWX/A,SX,SX/A,SXB,SXB/A,SXB7,SXB7/A,SXE,SXE/A,SXEB,SXEB/A,SXE2,SXE4,SXE4/A,SXE8,SXE8/A,SXP,SXQ4,SXQ4/A,SXU,SXU/A,S1,S1/A,VA,VAA,VAAE,VAD2,VAD2/A,VAH1,VAH2,VAW1,VA2,VA2/A,VC2,VC2/A,VDE,VDE2,VDE2/A,VD16,VE,VEB6,VH,VHE,VH12,VH12/A,VH22,VH22/A,VMQ,VMX,VNG,VNG1,VNG2,VSH7,VS2,VS3,VS4,VS5,VS6,VS7,VTE2,VWA,VWA2,VWC,VWC2,VWC2/A,VWE,VWE2,VWE2/A,VWS2,VWS2/A,VW12,VW12/A,VX,VX/A,VXA,VXB,VXB/A,VXB2,VXB7,VXB7/A,VXE,VXE/A,VXEB,VXEB/A,VXE2,VXE2/A,VXE4,VXE6,VXE7,VXE7/A,VXE8,VXE8/A,VXG,VXQ4,VXQ4/A,VXU,VXU/A,VXU1,VXU1/A,VX16,VX16/A,VX8,VX8/A,V1,YJ |
| | | | - | - | 1 | | |
| 6 | 15620-ZG4-910 | CAP, OIL FILLER | 1 | 1 | - | ----- | 2259154 EDN,EDS,ED6,ED7,ED8,ED9,EN,ET,ETS,ETX,PX,P1,QA,QAE,QAQ,QE,QH,QHC,QHE,QNE,QNE9,QP,QT,QX,QXB,QXC,QXE,QXEB,Q1,SE,SH,SHE,SHEZ,SJ,STJ,STP,STQ,SWX,SX,SXB,SXE,SXEB,SXP,S1,VA,VAA,VAAE,VE,VH,VHE,VNG,VNG1,VNG2,VX,VXA,VXB,VXE,VXEB,V1,YJ |
| | | | 1 | - | - | ----- | 2258973 EDS1,EDT1 |
| 7 | 15620-883-630 | CAP COMP., OIL (YELLOW) | 1 | - | - | ----- | SHT,STR,STR/A |
| 8 | 15621-896-010 | PACKING, OIL FILLER CAP | 1 | 1 | - | ----- | 2259154 EDN,EDS,ED6,ED7,ED8,ED9,EN,ET,ETS,ETX,PX,P1,QA,QAE,QAQ,QE,QH,QHC,QHE,QNE,QNE9,QP,QT,QX,QXB,QXC,QXE,QXEB,Q1,SE,SH,SHE,SHEZ,SJ,STJ,STP,STQ,SWX,SX,SXB,SXE,SXEB,SXP,S1,VA,VAA,VAAE,VE,VH,VHE,VNG,VNG1,VNG2,VX,VXA,VXB,VXE,VXEB,V1,YJ |
| | | | 1 | - | - | ----- | 2258973 EDS1,EDT1 |

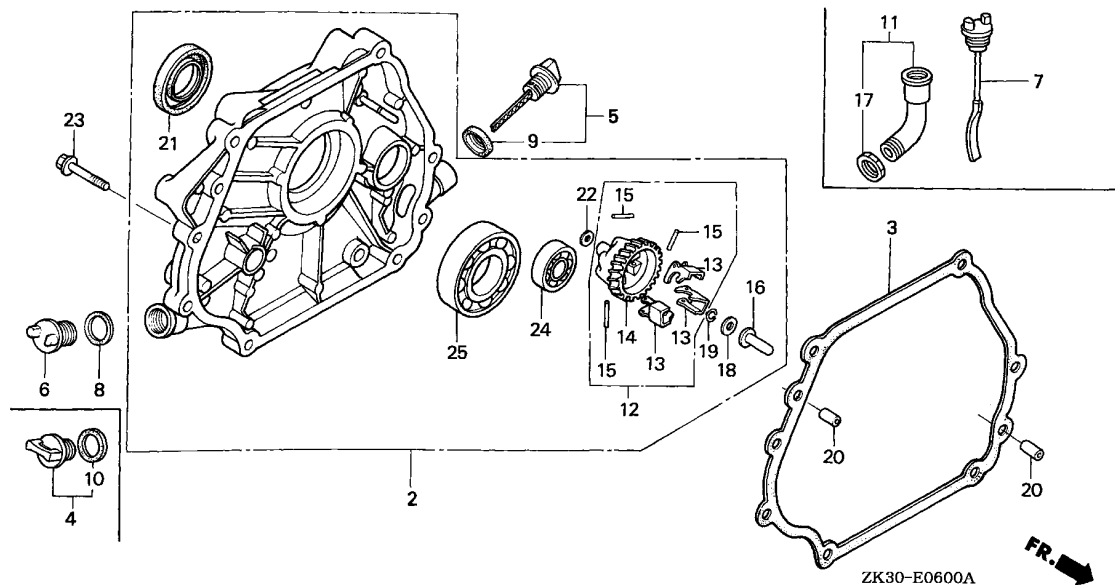




| Ref. No. | Part No. | Description | Reqd. QTY | | | Serial No. | Parts catalogue code |
|----------|---------------|-------------------------|-----------|-------|-----|------------|---|
| | | | GX | 340K1 | (3) | | |
| 9 | 15625-ZE1-003 | PACKING, OIL FILLER CAP | 1 | 1 | - | ----- | EDE2,EDE2/A,EDK,EDN,EDN2,EDN2/A,EDN5,EDN5/A,EDS,EDS1,EDS1/A,EDS2,EDS2/A,EDS3,EDS4,EDS5,EDS6,EDS6/A,EDT,EDT/A,EDT1,EDT1/A,EDT2,EDT3,EDT6,EDT6/A,ED6,ED6/A,ED7,ED8,ED8/A,ED9,ED9/A,EN,ENT,ENT/A,ENT2,EN6,EN6/A,ET,ETS,ETX,PKT2,PKT2/A,PKT4,PKT4/A,PKX2,PKX4,PKX4/A,PX,PX/A,PXA2,PXE8,PXE8/A,P1,P1/A,QA,QAB2,QAB2/A,QAC2,QAC2/A,QAE,QAE2,QAE2/A,QAE6,QAE6/A,QAG,QAG/A,QA2,QA2/A,QAP,QAPE,QAP2,QAP2/A,QAQ,QA2,QA2/A,QA26,QA26/A,QDW9,QDW9/A,QE,QE/A,QH,QH/A,QHB3,QHB3/A,QHB5,QHC,QHE,QHE/A,QHP1,QHP1/A,QHQ4,QHQ4/A,QH2,QKA4,QKA4/A,QL2,QME0,QME0/A,QME8,QME8/A,QMH,QMH/A,QMT2,QMT2/A,QMX2,QNE,QNE2,QNE2/A,QNE6,QNE9,QNE9/A,QNR2,QNR2/A,QNR6,QNR6/A,QN18,QP,QP/A,QPE2,QT,QT/A,QTC2,QTC2/A,QWH2,QWH2/A,QX,QX/A,QXB,QXB/A,QXB7,QXB7/A,QXC,QXC/A,QXC4,QXC4/A,QXC6,QXC6/A,QXC9,QXC9/A,QXE,QXE/A,QXEB,QXE2,QXE4,QXE4/A,QXE6,QXE6/A,QXE8,QXE8/A,QXQ4,QXQ4/A,QXU,QXU/A,QX2,Q1,Q1/A,SDE,SE,SE/A,SH,SH/A,SHB1,SHB3,SHB3/A,SHE,SHEZ,SHQ4,SHQ4/A,SHT,SJ,SJ/A,SJ6,SJ6/A,SKE,SKE/A,SKZ,SKZ/A,SME0,SME0/A,SME2,SMX2,SMX2/A,STJ,STJ/A,STP,STP/A,STQ,STQ/A,SWX,SWX/A,SX,SX/A,SXB,SXB/A,SXB7,SXB7/A,SXE,SXE/A,SXEB,SXEB/A,SXE2,SXE4,SXE4/A,SXE8,SXE8/A,SXP,SXQ4,SXQ4/A,SXU,SXU/A,S1,S1/A,VA,VAA,VAAE,VAD2,VAD2/A,VAH1,VAH2,VAW1,VA2,VA2/A,VC2,VC2/A,VDE,VDE2,VDE2/A,VD16,VE,VEB6,VH,VHE,VH12,VH12/A,VH22,VH22/A,VMQ,VMX,VNG,VNG1,VNG2,VSH7,VS2,VS3,VS4,VS5,VS6,VS7,VTE2,VVA,VVA2,VWC,VWC2,VWC2/A,VWE,VWE2,VWE2/A,VWS2,VWS2/A,VW12,VW12/A,VX,VX/A,VXA,VXB,VXB/A,VXB2,VXB7,VXB7/A,VXE,VXE/A,VXEB,VXEB/A,VXE2,VXE2/A,VXE4,VXE6,VXE7,VXE7/A,VXE8,VXE8/A,VXG,VXK,VXQ4,VXQ4/A,VXU,VXU/A,VXU1,VXU1/A,VX16,VX16/A,VX8,VX8/A,V1,YJ |
| | | | - | - | 1 | | |

| Ref. No. | Part No. | Description | Reqd. QTY | | | Serial No. | Parts catalogue code |
|----------|---------------|-------------------------------|-----------|-----|-----|---------------|---|
| | | | (1) | (2) | (3) | | |
| 10 | 15625-ZE1-003 | PACKING, OIL FILLER CAP | 1 | 1 | - | ----- | EDE2,EDE2/A,EDK,EDN2,EDN2/A,EDN5,EDN5/A,EDS1/A,EDS2,EDS2/A,EDS3 EDS4,EDS5,EDS6,EDS6/A,EDT,EDT/A,EDT1/A,EDT2,EDT3,EDT6,EDT6/A ED6/A,ED8/A,ED9/A,ENT,ENT/A,ENT2,EN6,EN6/A,PKT2,PKT2/A,PKT4 PKT4/A,PKX2,PKX4,PKX4/A,PX/A,PXA2,PXE8,PXE8/A,P1/A,QAB2,QAB2/A QAC2,QAC2/A,QAE2,QAE2/A,QAE6,QAE6/A,QAG,QAG/A,QA2,QA2/A,QAP QAP2,QAP2/A,QA2,QA2/A,QA26,QA26/A,QDW9,QDW9/A,QA,QA/A,QHB3 QHB3/A,QHB5,QHE/A,QHP1,QHP1/A,QHQ4,QHQ4/A,QH2,QKA4,QKA4/A,QL2 QME0,QME0/A,QME8,QME8/A,QMH,QMH/A,QMT2,QMT2/A,QMX2,QNE2,QNE2/A QNE6,QNE9/A,QNR2,QNR2/A,QNR6,QNR6/A,QN18,QP/A,QPE2,QT/A,QT2 QTC2/A,QWH2,QWH2/A,QX/A,QXB/A,QXB7,QXB7/A,QXC/A,QXC4,QXC4/A,QXC6 QXC6/A,QXC9,QXC9/A,QXE/A,QXE2,QXE4,QXE4/A,QXE6,QXE6/A,QXE8,QXE8/A QXQ4,QXQ4/A,QXU,QXU/A,QX2,Q1/A,SDE,SE/A,SH/A,SHB1,SHB3,SHB3/A SHQ4,SHQ4/A,SHT,SJ/A,SJG,SJG/A,SKE,SKE/A,SKZ,SKZ/A,SME0,SME0/A SME2,SMX2,SMX2/A,STJ/A,STP/A,STQ/A,STR,STR/A,SWX/A,SX/A,SXB/A SXB7,SXB7/A,SXE/A,SXEB/A,SXE2,SXE4,SXE4/A,SXE8,SXE8/A,SXQ4,SXQ4/A SXU,SXU/A,S1/A,VAD2,VAD2/A,VAH1,VAH2,VAW1,VA2,VA2/A,VC2,VC2/A,VDE VDE2,VDE2/A,VD16,VEB6,VH12,VH12/A,VH22,VH22/A,VMQ,VMX,VSH7,VS2 VS3,VS4,VS5,VS6,VS7,VTE2,VWA,VWA2,VWC,VWC2,VWC2/A,VWE,VWE2,VWE2/A VWS2,VWS2/A,VW12,VW12/A,VX/A,VXB/A,VXB2,VXB7,VXB7/A,VXE/A,VXE8/A VXE2,VXE2/A,VXE4,VXE6,VXE7,VXE7/A,VXE8,VXE8/A,VXG,VXK,VXQ4,VXQ4/A VXU,VXU/A,VXU1,VXU1/A,VX16,VX16/A,VX8,VX8/A EDN,EDS,ED6,ED7,ED8,ED9,EN,ET,ETS,ETX,PX,P1,QA,QAE,QAQ,QA,QH,QHC QHE,QNE,QNE9,QP,QT,QX,QXB,QXC,QXE,QXEB,Q1,SE,SH,SHE,SHEZ,SJ,STJ STP,STQ,SWX,SX,SXB,SXE,SXEB,SXP,S1,VA,VAA,VAAE,VE,VH,VHE,VNG,VNG1 VNG2,VX,VXA,VXB,VXE,VXEB,V1,YJ |
| | | | 1 | 1 | - | 2259155 ----- | |
| | | | 1 | - | - | 2258974 ----- | EDS1,EDT1 |
| | | | - | - | 1 | | |
| 11 | 15632-883-630 | PIPE COMP., OIL | 1 | - | - | ----- | SHT,STR,STR/A |
| 12 | 16510-ZE3-000 | GOVERNOR ASSY. | 1 | 1 | - | ----- | EDE2,EDE2/A,EDK,EDN,EDN2,EDN2/A,EDN5,EDN5/A,EDS,EDS1,EDS1/A,EDS2 EDS2/A,EDS3,EDS4,EDS5,EDS6,EDS6/A,EDT,EDT/A,EDT1,EDT1/A,EDT2,EDT3 EDT6,EDT6/A,ED6,ED6/A,ED7,ED8,ED8/A,ED9,ED9/A,EN,ENT,ENT/A,ENT2 EN6,EN6/A,ET,ETS,ETX,PKT2,PKT2/A,PKT4,PKT4/A,PKX2,PKX4,PKX4/A,PX PX/A,PXA2,PXE8,PXE8/A,P1,P1/A,QA,QAB2,QAB2/A,QAC2,QAC2/A,QAE,QAE2 QAE2/A,QAE6,QAE6/A,QAG,QAG/A,QA2,QA2/A,QAP,QAPE,QAP2,QAP2/A,QAQ QA2,QA2/A,QA26,QA26/A,QDW9,QDW9/A,QA,QA/A,QH,QH/A,QHB3,QHB3/A QHB5,QHC,QHE,QHE/A,QHP1,QHP1/A,QHQ4,QHQ4/A,QH2,QKA4,QKA4/A,QL2 QME0,QME0/A,QME8,QME8/A,QMH,QMH/A,QMT2,QMT2/A,QMX2,QNE,QNE2 QNE2/A,QNE6,QNE9,QNE9/A,QNR2,QNR2/A,QNR6,QNR6/A,QN18,QP,QP/A,QPE2 QT,QT/A,QT2,QT2/A,QWH2,QWH2/A,QX,QX/A,QXB,QXB/A,QXB7,QXB7/A,QXC QXC/A,QXC4,QXC4/A,QXC6,QXC6/A,QXC9,QXC9/A,QXE,QXE/A,QXEB,QXE2 QXE4,QXE4/A,QXE6,QXE6/A,QXE8,QXE8/A,QXQ4,QXQ4/A,QXU,QXU/A,QX2,Q1 Q1/A,SDE,SE,SE/A,SH,SH/A,SHB1,SHB3,SHB3/A,SHE,SHEZ,SHQ4,SHQ4/A SHT,SJ,SJ/A,SJG,SJG/A,SKE,SKE/A,SKZ,SKZ/A,SME0,SME0/A,SME2,SMX2 SMX2/A,STJ,STJ/A,STP,STP/A,STQ,STQ/A,STR,STR/A,SWX,SWX/A,SX,SX/A SXB,SXB/A,SXB7,SXB7/A,SXE,SXE/A,SXEB,SXEB/A,SXE2,SXE4,SXE4/A,SXE8 SXE8/A,SXP,SXQ4,SXQ4/A,SXU,SXU/A,S1,S1/A,VA,VAA,VAAE,VAD2,VAD2/A VAH1,VAH2,VAW1,VA2,VA2/A,VC2,VC2/A,VDE,VDE2,VDE2/A,VD16,VE,VEB6 VH,VHE,VH12,VH12/A,VH22,VH22/A,VMQ,VMX,VNG,VNG1,VNG2,VSH7,VS2,VS3 VS4,VS5,VS6,VS7,VTE2,VWA,VWA2,VWC,VWC2,VWC2/A,VWE,VWE2,VWE2/A VWS2,VWS2/A,VW12,VW12/A,VX,VX/A,VXA,VXB,VXB/A,VXB2,VXB7,VXB7/A VXE,VXE/A,VXEB,VXEB/A,VXE2,VXE2/A,VXE4,VXE6,VXE7,VXE7/A,VXE8 VXE8/A,VXG,VXK,VXQ4,VXQ4/A,VXU,VXU/A,VXU1,VXU1/A,VX16,VX16/A,VX8 VX8/A,V1,YJ |
| | | | - | - | 1 | | |

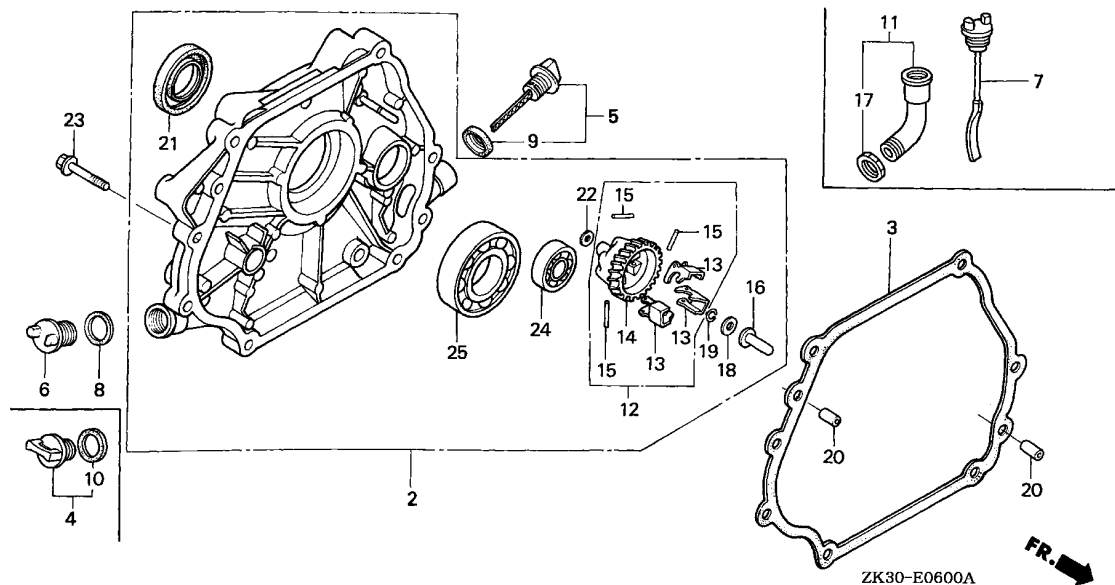




| Ref. No. | Part No. | Description | Reqd. QTY | | | Serial No. | Parts catalogue code | | | | |
|----------|---------------|------------------------|-----------|-------|-----|------------|---|--|--|--|--|
| | | | GX | 340K1 | | | | | | | |
| | | | (1) | (2) | (3) | | | | | | |
| 13 | 16511-ZE8-000 | WEIGHT, GOVERNOR | 3 | 3 | - | ----- | EDE2,EDE2/A,EDK,EDN,EDN2,EDN2/A,EDN5,EDN5/A,EDS,EDS1,EDS1/A,EDS2,EDS2/A,EDS3,EDS4,EDS5,EDS6,EDS6/A,EDT,EDT/A,EDT1,EDT1/A,EDT2,EDT3,EDT6,EDT6/A,ED6,ED6/A,ED7,ED8,ED8/A,ED9,ED9/A,EN,ENT,ENT/A,ENT2,EN6,EN6/A,ET,ETS,ETX,PKT2,PKT2/A,PKT4,PKT4/A,PKX2,PKX4,PKX4/A,PX,PX/A,PXA2,PXE8,PXE8/A,P1,P1/A,QA,QAB2,QAB2/A,QAC2,QAC2/A,QAE,QAE2,QAE2/A,QAE6,QAE6/A,QAG,QAG/A,QA2,QA2/A,QAP,QAPE,QAP2,QAP2/A,QAQ,QA2,QA2/A,QA26,QA26/A,QDW9,QDW9/A,QE,QE/A,QH,QH/A,QHB3,QHB3/A,QHB5,QHC,QHE,QHE/A,QHP1,QHP1/A,QHQ4,QHQ4/A,QH2,QKA4,QKA4/A,QL2,QME0,QME0/A,QME8,QME8/A,QMH,QMH/A,QMT2,QMT2/A,QMX2,QNE,QNE2,QNE2/A,QNE6,QNE9,QNE9/A,QNR2,QNR2/A,QNR6,QNR6/A,QN18,QP,QP/A,QPE2,QT,QT/A,QTC2,QTC2/A,QWH2,QWH2/A,QX,QX/A,QXB,QXB/A,QXB7,QXB7/A,QXC,QXC/A,QXC4,QXC4/A,QXC6,QXC6/A,QXC9,QXC9/A,QXE,QXE/A,QXEB,QXE2,QXE4,QXE4/A,QXE6,QXE6/A,QXE8,QXE8/A,QXQ4,QXQ4/A,QXU,QXU/A,QX2,Q1,Q1/A,SDE,SE,SE/A,SH,SH/A,SHB1,SHB3,SHB3/A,SHE,SHEZ,SHQ4,SHQ4/A,SHT,SJ,SJ/A,SJ6,SJ6/A,SKE,SKE/A,SKZ,SKZ/A,SME0,SME0/A,SME2,SMX2,SMX2/A,STJ,STJ/A,STP,STP/A,STQ,STQ/A,STR,STR/A,SWX,SWX/A,SX,SX/A,SXB,SXB/A,SXB7,SXB7/A,SXE,SXE/A,SXEB,SXEB/A,SXE2,SXE4,SXE4/A,SXE8,SXE8/A,SXP,SXQ4,SXQ4/A,SXU,SXU/A,S1,S1/A,VA,VAA,VAAE,VAD2,VAD2/A,VAH1,VAH2,VAW1,VA2,VA2/A,VC2,VC2/A,VDE,VDE2,VDE2/A,VD16,VE,VEB6,VH,VHE,VH12,VH12/A,VH22,VH22/A,VMQ,VMX,VNG,VNG1,VNG2,VSH7,VS2,VS3,VS4,VS5,VS6,VS7,VTE2,VWA,VWA2,VWC,VWC2,VWC2/A,VWE,VWE2,VWE2/A,VWS2,VWS2/A,VW12,VW12/A,VX,VX/A,VXA,VXB,VXB/A,VXB2,VXB7,VXB7/A,VXE,VXE/A,VXEB,VXEB/A,VXE2,VXE2/A,VXE4,VXE6,VXE7,VXE7/A,VXE8,VXE8/A,VXG,VXK,VXQ4,VXQ4/A,VXU,VXU/A,VXU1,VXU1/A,VX16,VX16/A,VX8,VX8/A,V1,YJ | | | | |
| | | | - | - | 3 | | | | | | |

| Ref. No. | Part No. | Description | Reqd. QTY | | | Serial No. | Parts catalogue code |
|----------|---------------|-------------------------------|-----------|-----|-----|------------|--|
| | | | (1) | (2) | (3) | | |
| 14 | 16512-ZE3-000 | HOLDER, GOVERNOR WEIGHT | 1 | 1 | - | ----- | EDE2,EDE2/A,EDK,EDN,EDN2,EDN2/A,EDN5,EDN5/A,EDS,EDS1,EDS1/A,EDS2,EDS2/A,EDS3,EDS4,EDS5,EDS6,EDS6/A,EDT,EDT/A,EDT1,EDT1/A,EDT2,EDT3,EDT6,EDT6/A,ED6,ED6/A,ED7,ED8,ED8/A,ED9,ED9/A,EN,ENT,ENT/A,ENT2,EN6,EN6/A,ET,ETS,ETX,PKT2,PKT2/A,PKT4,PKT4/A,PKX2,PKX4,PKX4/A,PX,PX/A,PXA2,PXE8,PXE8/A,P1,P1/A,QA,QAB2,QAB2/A,QAC2,QAC2/A,QAE,QAE2,QAE2/A,QAE6,QAE6/A,QAG,QAG/A,QAQ2,QAQ2/A,QAP,QAPE,QAP2,QAP2/A,QAQ,QA2,QA2/A,QA26,QA26/A,QDW9,QDW9/A,QE,QE/A,QH,QH/A,QHB3,QHB3/A,QHB5,QHC,QHE,QHE/A,QHP1,QHP1/A,QHQ4,QHQ4/A,QH2,QKA4,QKA4/A,QL2,QMEO,QMEO/A,QME8,QME8/A,QMH,QMH/A,QMT2,QMT2/A,QMX2,QNE,QNE2,QNE2/A,QNE6,QNE9,QNE9/A,QNR2,QNR2/A,QNR6,QNR6/A,QN18,QP,QP/A,QPE2,QT,QT/A,QTC2,QTC2/A,QWH2,QWH2/A,QX,QX/A,QXB,QXB/A,QXB7,QXB7/A,QXC,QXC/A,QXC4,QXC4/A,QXC6,QXC6/A,QXC9,QXC9/A,QXE,QXE/A,QXEB,QXE2,QXE4,QXE4/A,QXE6,QXE6/A,QXE8,QXE8/A,QXQ4,QXQ4/A,QXU,QXU/A,QX2,Q1,Q1/A,SDE,SE,SE/A,SH,SH/A,SHB1,SHB3,SHB3/A,SHE,SHEZ,SHQ4,SHQ4/A,SHT,SJ,SJ/A,SJG,SJG/A,SKE,SKE/A,SKZ,SKZ/A,SME0,SME0/A,SME2,SMX2,SMX2/A,STJ,STJ/A,STP,STP/A,STQ,STQ/A,STR,STR/A,SWX,SWX/A,SX,SX/A,SXB,SXB/A,SXB7,SXB7/A,SXE,SXE/A,SXEB,SXEB/A,SXE2,SXE4,SXE4/A,SXE8,SXE8/A,SXP,SXQ4,SXQ4/A,SXU,SXU/A,S1,S1/A,VA,VAA,VAE,VAD2,VAD2/A,VAH1,VAH2,VAW1,VA2,VA2/A,VC2,VC2/A,VDE,VDE2,VDE2/A,VD16,VE,VEB6,VH,VHE,VH12,VH12/A,VH22,VH22/A,VMQ,VMX,VNG,VNG1,VNG2,VSH7,VS2,VS3,VS4,VS5,VS6,VS7,VTE2,VWA,VWA2,VWC,VWC2,VWC2/A,VWE,VWE2,VWE2/A,VWS2,VWS2/A,VW12,VW12/A,VX,VX/A,VXA,VXB,VXB/A,VXB2,VXB7,VXB7/A,VXE,VXE/A,VXEB,VXEB/A,VXE2,VXE2/A,VXE4,VXE6,VXE7,VXE7/A,VXE8,VXE8/A,VXG,VXK,VXQ4,VXQ4/A,VXU,VXU/A,VXU1,VXU1/A,VX16,VX16/A,VX8,VX8/A,V1,YJ |
| 15 | 16513-ZE2-000 | PIN, GOVERNOR WEIGHT | 3 | 3 | - | ----- | EDE2,EDE2/A,EDK,EDN,EDN2,EDN2/A,EDN5,EDN5/A,EDS,EDS1,EDS1/A,EDS2,EDS2/A,EDS3,EDS4,EDS5,EDS6,EDS6/A,EDT,EDT/A,EDT1,EDT1/A,EDT2,EDT3,EDT6,EDT6/A,ED6,ED6/A,ED7,ED8,ED8/A,ED9,ED9/A,EN,ENT,ENT/A,ENT2,EN6,EN6/A,ET,ETS,ETX,PKT2,PKT2/A,PKT4,PKT4/A,PKX2,PKX4,PKX4/A,PX,PX/A,PXA2,PXE8,PXE8/A,P1,P1/A,QA,QAB2,QAB2/A,QAC2,QAC2/A,QAE,QAE2,QAE2/A,QAE6,QAE6/A,QAG,QAG/A,QAQ2,QAQ2/A,QAP,QAPE,QAP2,QAP2/A,QAQ,QA2,QA2/A,QA26,QA26/A,QDW9,QDW9/A,QE,QE/A,QH,QH/A,QHB3,QHB3/A,QHB5,QHC,QHE,QHE/A,QHP1,QHP1/A,QHQ4,QHQ4/A,QH2,QKA4,QKA4/A,QL2,QMEO,QMEO/A,QME8,QME8/A,QMH,QMH/A,QMT2,QMT2/A,QMX2,QNE,QNE2,QNE2/A,QNE6,QNE9,QNE9/A,QNR2,QNR2/A,QNR6,QNR6/A,QN18,QP,QP/A,QPE2,QT,QT/A,QTC2,QTC2/A,QWH2,QWH2/A,QX,QX/A,QXB,QXB/A,QXB7,QXB7/A,QXC,QXC/A,QXC4,QXC4/A,QXC6,QXC6/A,QXC9,QXC9/A,QXE,QXE/A,QXEB,QXE2,QXE4,QXE4/A,QXE6,QXE6/A,QXE8,QXE8/A,QXQ4,QXQ4/A,QXU,QXU/A,QX2,Q1,Q1/A,SDE,SE,SE/A,SH,SH/A,SHB1,SHB3,SHB3/A,SHE,SHEZ,SHQ4,SHQ4/A,SHT,SJ,SJ/A,SJG,SJG/A,SKE,SKE/A,SKZ,SKZ/A,SME0,SME0/A,SME2,SMX2,SMX2/A,STJ,STJ/A,STP,STP/A,STQ,STQ/A,STR,STR/A,SWX,SWX/A,SX,SX/A,SXB,SXB/A,SXB7,SXB7/A,SXE,SXE/A,SXEB,SXEB/A,SXE2,SXE4,SXE4/A,SXE8,SXE8/A,SXP,SXQ4,SXQ4/A,SXU,SXU/A,S1,S1/A,VA,VAA,VAE,VAD2,VAD2/A,VAH1,VAH2,VAW1,VA2,VA2/A,VC2,VC2/A,VDE,VDE2,VDE2/A,VD16,VE,VEB6,VH,VHE,VH12,VH12/A,VH22,VH22/A,VMQ,VMX,VNG,VNG1,VNG2,VSH7,VS2,VS3,VS4,VS5,VS6,VS7,VTE2,VWA,VWA2,VWC,VWC2,VWC2/A,VWE,VWE2,VWE2/A,VWS2,VWS2/A,VW12,VW12/A,VX,VX/A,VXA,VXB,VXB/A,VXB2,VXB7,VXB7/A,VXE,VXE/A,VXEB,VXEB/A,VXE2,VXE2/A,VXE4,VXE6,VXE7,VXE7/A,VXE8,VXE8/A,VXG,VXK,VXQ4,VXQ4/A,VXU,VXU/A,VXU1,VXU1/A,VX16,VX16/A,VX8,VX8/A,V1,YJ |
| | | | - | - | 1 | | |
| | | | - | - | 3 | | |

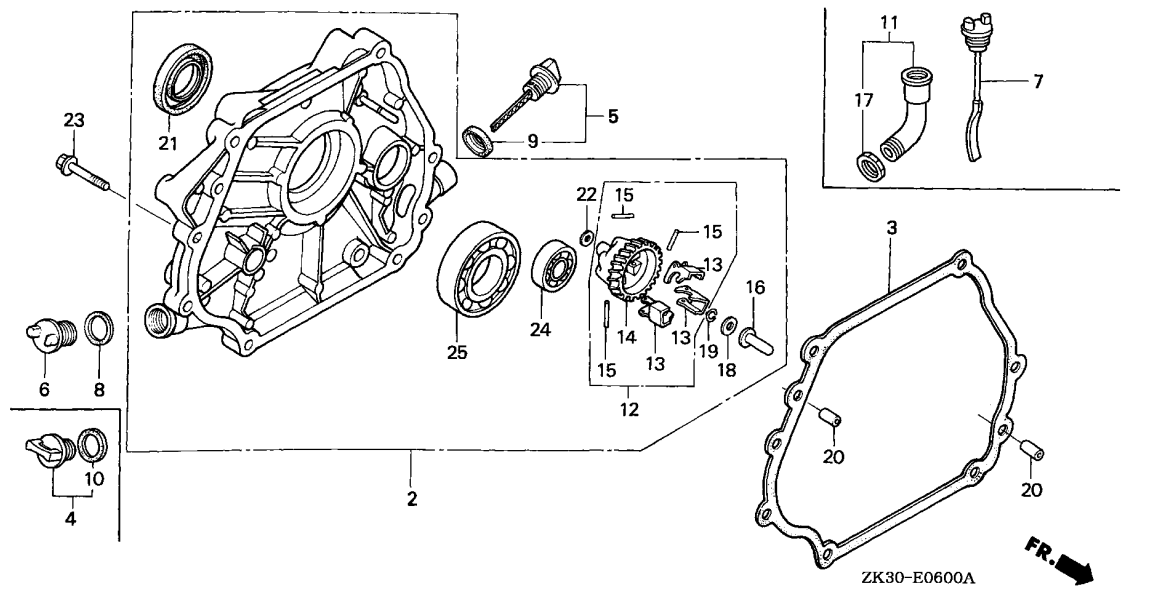




| Ref. No. | Part No. | Description | Reqd. QTY | | | Serial No. | Parts catalogue code |
|----------|---------------|------------------------|-----------|-------|-----|------------|--|
| | | | GX | 340K1 | | | |
| | | | (1) | (2) | (3) | | |
| 16 | 16531-ZE2-000 | SLIDER, GOVERNOR | 1 | - | - | 3460754 | EDE2,EDN2,EDN5,EDS1,EDS2,EDS6,EDT,EDT1,EDT6,ED6,ED8,ED9,ENT,EN6 PKT2,PKT4,PKX4,PX,PXE8,QAB2,QAC2,QAE2,QAE6,QAG,QA2,QAP2,QA2,QA26 QDW9,QE,QH,QHB3,QHE,QHP1,QHQ4,QKA4,QME0,QME8,QMH,QMT2,QNE2,QNE9 QNR2,QNR6,QP,QT,QTC2,QWH2,QX,QXB,QXC,QXC4,QXC6,QXC9,QXE,QXE4,QXE6 QXE8,QXQ4,QXU,SE,SH,SHB3,SHQ4,SJ,SJG,SKE,SKZ,SMEO,SMX2,STJ,STP STQ,STR,SWX,SX,SXB,SXE,SXEB,SXE4,SXE8,SXQ4,SXU,VAD2,VA2,VC2,VDE2 VH12,VH22,VWC2,VWE2,VWS2,VW12,VX,VXB,VXE,VXEB,VXE2,VXE8,VXQ4,VXU VXU1,VX16,VX8 |

| Ref. No. | Part No. | Description | Reqd. QTY | | | Serial No. | Parts catalogue code |
|----------|---------------|------------------------|-----------|-----|-----|------------|---|
| | | | (1) | (2) | (3) | | |
| 16) | 16531-Z0A-000 | SLIDER, GOVERNOR | 1 | 1 | - | - | EDE2/A, EDK, EDN, EDN2/A, EDN5/A, EDS, EDS1/A, EDS2/A, EDS3, EDS4, EDS5, EDS6/A, EDT/A, EDT1/A, EDT2, EDT3, EDT6/A, ED6/A, ED7, ED8/A, ED9/A, ENT/A, ENT2, EN6/A, ET, ETS, ETX, PKT2/A, PKT4/A, PKX2, PKX4/A, PX/A, PXA2, PXE8/A, P1, P1/A, QA, QAB2/A, QAC2/A, QAE, QAE2/A, QAE6/A, QAG/A, QAH2/A, QAP, QAPE, QAP2/A, QAQ, QA2/A, QA26/A, QDW9/A, QE/A, QH/A, QHB3/A, QHB5, QHC, QHE/A, QHP1/A, QHQ4/A, QH2, QKA4/A, QL2, QMEO/A, QME8/A, QMH/A, QMT2/A, QMX2, QNE, QNE2/A, QNE6, QNE9/A, QNR2/A, QNR6/A, QN18, QP/A, QPE2, QT/A, QTC2/A, QWH2/A, QX/A, QXB/A, QXB7, QXB7/A, QXC/A, QXC4/A, QXC6/A, QXC9/A, QXE/A, QXEB, QXE2, QXE4/A, QXE6/A, QXE8/A, QXQ4/A, QXU/A, QX2, Q1, Q1/A, SDE, SE/A, SH/A, SHB1, SHB3/A, SHE, SHEZ, SHQ4/A, SHT, SJ/A, SJG/A, SKE/A, SKZ/A, SMEO/A, SME2, SMX2/A, STJ/A, STP/A, STQ/A, STR/A, SWX/A, SX/A, SXB/A, SXB7, SXB7/A, SXE/A, SXEB/A, SXE2, SXE4/A, SXE8/A, SXP, SXQ4/A, SXU/A, S1, S1/A, VA, VAA, VAAE, VAD2/A, VAH1, VAH2, VAW1, VA2/A, VC2/A, VDE, VDE2/A, VD16, VE, VEB6, VH, VHE, VH12/A, VH22/A, VMQ, VMX, VNG, VNG1, VNG2, VSH7, VS2, VS3, VS4, VS5, VS6, VS7, VTE2, VVA, VVA2, VWC, VWC2/A, VWE, VWE2/A, VWS2/A, VW12/A, VX/A, VXA, VXB/A, VXB2, VXB7, VXB7/A, VXE/A, VXEB/A, VXE2/A, VXE4, VXE6, VXE7, VXE7/A, VXE8/A, VXG, VXX, VXQ4/A, VXU/A, VXU1/A, VX16/A, VX8/A, V1, YJ |
| | | | 1 | - | - | 3460755 | EDE2, EDN2, EDN5, EDS1, EDS2, EDS6, EDT, EDT1, EDT6, ED6, ED8, ED9, ENT, EN6, PKT2, PKT4, PKX4, PX, PXE8, QAB2, QAC2, QAE2, QAE6, QAG, QAH2, QAP2, QK26, QDW9, QE, QH, QHB3, QHE, QHP1, QHQ4, QKA4, QMEO, QME8, QMH, QMT2, QNE2, QNE9, QNR2, QNR6, QP, QT, QTC2, QWH2, QX, QXB, QXC, QXC4, QXC6, QXC9, QXE, QXE4, QXE6, QXE8, QXQ4, QXU, SE, SH, SHB3, SHQ4, SJ, SJG, SKE, SKZ, SMEO, SMX2, STJ, STP, STQ, STR, SWX, SX, SXB, SXE, SXEB, SXE4, SXE8, SXQ4, SXU, VAD2, VA2, VC2, VDE2, VH12, VH22, VWC2, VWE2, VWS2, VW12, VX, VXB, VXE, VXEB, VXE2, VXE8, VXQ4, VXU, VXU1, VX16, VX8 |
| | | | - | - | 1 | | SHT, STR, STR/A |
| 17 | 90011-883-630 | NUT, OIL FILLER | 1 | - | - | | |
| 18 | 90473-147-000 | WASHER, 6X16 | 1 | 1 | - | | EDE2, EDE2/A, EDN, EDN2, EDN2/A, EDN5, EDN5/A, EDS, EDS1, EDS1/A, EDS2, EDS2/A, EDS6, EDS6/A, EDT, EDT/A, EDT1, EDT1/A, EDT6, EDT6/A, ED6, ED6/A, ED7, ED8, ED8/A, ED9, ED9/A, EN, ENT, ENT/A, EN6, EN6/A, ET, ETS, ETX, LT, LT/A, PKT2, PKT2/A, PKT4, PKT4/A, PKX4, PKX4/A, PX, PX/A, PXE8, PXE8/A, P1, P1/A, QA, QAB2, QAB2/A, QAC2, QAC2/A, QAE, QAE2, QAE2/A, QAE6, QAE6/A, QAG, QAG/A, QAH2, QAH2/A, QAP, QAPE, QAP2, QAP2/A, QAQ, QA2, QA2/A, QA26, QA26/A, QDW9, QDW9/A, QE, QE/A, QH, QH/A, QHB3, QHB3/A, QHC, QHE, QHE/A, QHP1, QHP1/A, QHQ4, QHQ4/A, QKA4, QKA4/A, QMEO, QMEO/A, QME8, QME8/A, QMH, QMH/A, QMT2, QMT2/A, QNE, QNE2, QNE2/A, QNE9, QNE9/A, QNR2, QNR2/A, QNR6, QNR6/A, QP, QP/A, QT, QT/A, QTC2, QTC2/A, QWH2, QWH2/A, QX, QX/A, QXB, QXB/A, QXB7, QXC, QXC/A, QXC4, QXC4/A, QXC6, QXC6/A, QXC9, QXC9/A, QXE, QXE/A, QXEB, QXE4, QXE4/A, QXE6, QXE6/A, QXE8, QXE8/A, QXQ4, QXQ4/A, QXU, QXU/A, Q1, Q1/A, SE, SE/A, SH, SH/A, SHB3, SHB3/A, SHE, SHEZ, SHQ4, SHQ4/A, SJ, SJ/A, SJG, SJG/A, SKE, SKE/A, SKZ, SKZ/A, SMEO, SMEO/A, SMX2, SMX2/A, STJ, STJ/A, STP, STP/A, STQ, STQ/A, STR, STR/A, SWX, SWX/A, SX, SX/A, SXB, SXB/A, SXB7, SXE, SXE/A, SXEB, SXEB/A, SXE4, SXE4/A, SXE8, SXE8/A, SXP, SXQ4, SXQ4/A, SXU, SXU/A, S1, S1/A, VA, VAA, VAAE, VAD2, VAD2/A, VAH1, VAH2, VA2, VA2/A, VC2, VC2/A, VDE2, VDE2/A, VE, VH, VHE, VH12, VH12/A, VH22, VH22/A, VNG, VNG1, VNG2, VVA, VWC2, VWC2/A, VWE2, VWE2/A, VWS2, VWS2/A, VW12, VW12/A, VX, VX/A, VXA, VXB, VXB/A, VXB7, VXE, VXE/A, VXEB, VXEB/A, VXE2, VXE2/A, VXE7, VXE8, VXE8/A, VXQ4, VXQ4/A, VXU, VXU/A, VXU1, VXU1/A, VX16, VX16/A, VX8, VX8/A, V1, YJ |

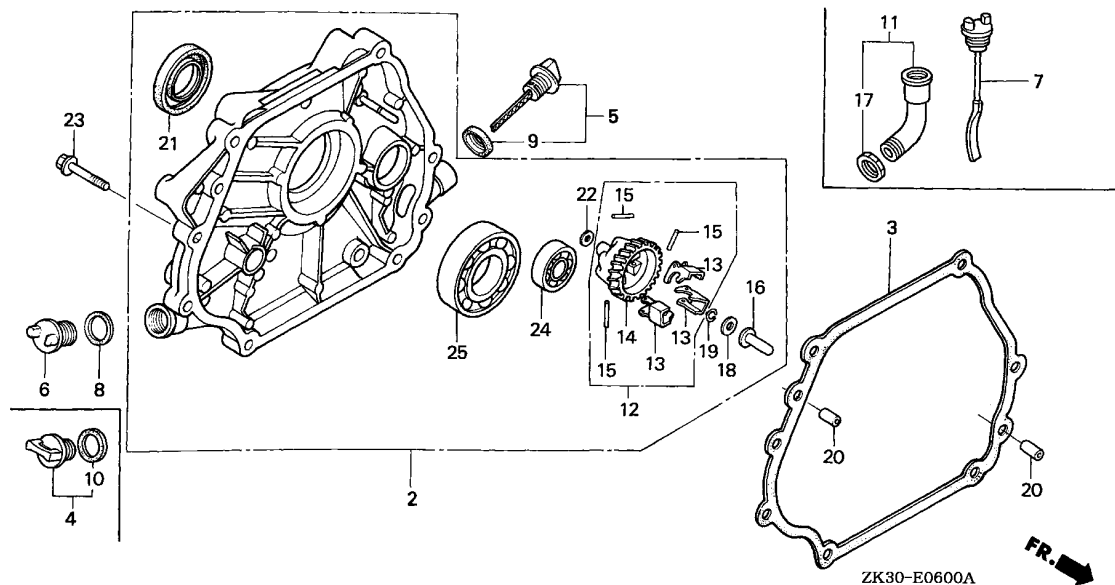




| Ref. No. | Part No. | Description | Reqd. QTY | | | Serial No. | Parts catalogue code | | | | |
|----------|---------------|-----------------------------|-----------|-------|-----|------------|---|---|---|---|--|
| | | | GX | 340K1 | | | | | | | |
| | | | (1) | (2) | (3) | | | | | | |
| 19 | 90602-ZE1-000 | CLIP, GOVERNOR HOLDER | 1 | 1 | - | ----- | EDE2,EDE2/A,EDK,EDN,EDN2,EDN2/A,EDN5,EDN5/A,EDS,EDS1,EDS1/A,EDS2,EDS2/A,EDS3,EDS4,EDS5,EDS6,EDS6/A,EDT,EDT/A,EDT1,EDT1/A,EDT2,EDT3,EDT6,EDT6/A,ED6,ED6/A,ED7,ED8,ED8/A,ED9,ED9/A,EN,ENT,ENT/A,ENT2,EN6,EN6/A,ET,ETS,ETX,PKT2,PKT2/A,PKT4,PKT4/A,PKX2,PKX4,PKX4/A,PX,PX/A,PXA2,PXE8,PXE8/A,P1,P1/A,QA,QAB2,QAB2/A,QAC2,QAC2/A,QAE,QAE2,QAE2/A,QAE6,QAE6/A,QAG,QAG/A,QA2,QA2/A,QAP,QAPE,QAP2,QAP2/A,QAQ,QA2,QA2/A,QA26,QA26/A,QDW9,QDW9/A,QE,QE/A,QH,QH/A,QHB3,QHB3/A,QHB5,QHC,QHE,QHE/A,QHP1,QHP1/A,QHQ4,QHQ4/A,QH2,QKA4,QKA4/A,QL2,QME0,QME0/A,QME8,QME8/A,QMH,QMH/A,QMT2,QMT2/A,QMX2,QNE,QNE2,QNE2/A,QNE6,QNE9,QNE9/A,QNR2,QNR2/A,QNR6,QNR6/A,QN18,QP,QP/A,QPE2,QT,QT/A,QTC2,QTC2/A,QWH2,QWH2/A,QX,QX/A,QXB,QXB/A,QXB7,QXB7/A,QXC,QXC/A,QXC4,QXC4/A,QXC6,QXC6/A,QXC9,QXC9/A,QXE,QXE/A,QXEB,QXE2,QXE4,QXE4/A,QXE6,QXE6/A,QXE8,QXE8/A,QXQ4,QXQ4/A,QXU,QXU/A,QX2,Q1,Q1/A,SDE,SE,SE/A,SH,SH/A,SHB1,SHB3,SHB3/A,SHE,SHEZ,SHQ4,SHQ4/A,SHT,SJ,SJ/A,SJ6,SJ6/A,SKE,SKE/A,SKZ,SKZ/A,SME0,SME0/A,SME2,SMX2,SMX2/A,STJ,STJ/A,STP,STP/A,STQ,STQ/A,STR,STR/A,SWX,SWX/A,SX,SX/A,SXB,SXB/A,SXB7,SXB7/A,SXE,SXE/A,SXEB,SXEB/A,SXE2,SXE4,SXE4/A,SXE8,SXE8/A,SXP,SXQ4,SXQ4/A,SXU,SXU/A,S1,S1/A,VA,VAA,VAEA,VAD2,VAD2/A,VAH1,VAH2,VAW1,VA2,VA2/A,VC2,VC2/A,VDE,VDE2,VDE2/A,VD16,VE,VEB6,VH,VHE,VH12,VH12/A,VH22,VH22/A,VMQ,VMX,VNG,VNG1,VNG2,VSH7,VS2,VS3,VS4,VS5,VS6,VS7,VTE2,VWA,VWA2,VWC,VWC2,VWC2/A,VWE,VWE2,VWE2/A,VWS2,VWS2/A,VW12,VW12/A,VX,VX/A,VXA,VXB,VXB/A,VXB2,VXB7,VXB7/A,VXE,VXE/A,VXEB,VXEB/A,VXE2,VXE2/A,VXE4,VXE6,VXE7,VXE7/A,VXE8,VXE8/A,VXG,VXK,VXQ4,VXQ4/A,VXU,VXU/A,VXU1,VXU1/A,VX16,VX16/A,VX8,VX8/A,V1,YJ | - | - | 1 | |

| Ref. No. | Part No. | Description | Reqd. QTY | | | Serial No. | Parts catalogue code |
|----------|---------------|-------------------------|--------------------|-----|-----|------------|--|
| | | | GX 340K1 (1) | (2) | (3) | | |
| 20 | 90701-HC4-000 | DOWEL PIN, 8X12 | 2 | 2 | - | ----- | EDE2,EDE2/A,EDK,EDN,EDN2,EDN2/A,EDN5,EDN5/A,EDS,EDS1,EDS1/A,EDS2,EDS2/A,EDS3,EDS4,EDS5,EDS6,EDS6/A,EDT,EDT/A,EDT1,EDT1/A,EDT2,EDT3,EDT6,EDT6/A,ED6,ED6/A,ED7,ED8,ED8/A,ED9,ED9/A,EN,ENT,ENT/A,ENT2,EN6,EN6/A,ET,ETS,ETX,PKT2,PKT2/A,PKT4,PKT4/A,PKX2,PKX4,PKX4/A,PX,PX/A,PXA2,PXE8,PXE8/A,P1,P1/A,QA,QAB2,QAB2/A,QAC2,QAC2/A,QAE,QAE2,QAE2/A,QAE6,QAE6/A,QAG,QAG/A,QAQ2,QAQ2/A,QAP,QAPE,QAP2,QAP2/A,QAQ,QA2,QA2/A,QA26,QA26/A,QDW9,QDW9/A,QE,QE/A,QH,QH/A,QHB3,QHB3/A,QHB5,QHC,QHE,QHE/A,QHP1,QHP1/A,QHQ4,QHQ4/A,QH2,QKA4,QKA4/A,QL2,QMEO,QMEO/A,QME8,QME8/A,QMH,QMH/A,QMT2,QMT2/A,QMX2,QNE,QNE2,QNE2/A,QNE6,QNE9,QNE9/A,QNR2,QNR2/A,QNR6,QNR6/A,QN18,QP,QP/A,QPE2,QT,QT/A,QTC2,QTC2/A,QWH2,QWH2/A,QX,QX/A,QXB,QXB/A,QXB7,QXB7/A,QXC,QXC/A,QXC4,QXC4/A,QXC6,QXC6/A,QXC9,QXC9/A,QXE,QXE/A,QXEB,QXE2,QXE4,QXE4/A,QXE6,QXE6/A,QXE8,QXE8/A,QXQ4,QXQ4/A,QXU,QXU/A,QX2,Q1,Q1/A,SDE,SE,SE/A,SH,SH/A,SHB1,SHB3,SHB3/A,SHE,SHEZ,SHQ4,SHQ4/A,SHT,SJ,SJ/A,SJG,SJG/A,SKE,SKE/A,SKZ,SKZ/A,SME0,SME0/A,SME2,SMX2,SMX2/A,STJ,STJ/A,STP,STP/A,STQ,STQ/A,STR,STR/A,SWX,SWX/A,SX,SX/A,SXB,SXB/A,SXB7,SXB7/A,SXE,SXE/A,SXEB,SXEB/A,SXE2,SXE4,SXE4/A,SXE8,SXE8/A,SXP,SXQ4,SXQ4/A,SXU,SXU/A,S1,S1/A,VA,VAA,VAE,VAE2,VAE2/A,VAH1,VAH2,VAW1,VA2,VA2/A,VC2,VC2/A,VDE,VDE2,VDE2/A,VD16,VE,VEB6,VH,VHE,VH12,VH12/A,VH22,VH22/A,VMQ,VMX,VNG,VNG1,VNG2,VSH7,VS2,VS3,VS4,VS5,VS6,VS7,VTE2,VVA,VVA2,VVC,VVC2,VVC2/A,VVE,VVE2,VVE2/A,VWS2,VWS2/A,VW12,VW12/A,VX,VX/A,VXA,VXB,VXB/A,VXB2,VXB7,VXB7/A,VXE,VXE/A,VXEB,VXEB/A,VXE2,VXE2/A,VXE4,VXE6,VXE7,VXE7/A,VXE8,VXE8/A,VXG,VXK,VXQ4,VXQ4/A,VXU,VXU/A,VXU1,VXU1/A,VX16,VX16/A,VX8,VX8/A,V1,YJ |
| | | | - | - | 2 | | |
| 21 | 91201-ZE3-004 | OIL SEAL, 35X52X8 | 1 | 1 | - | ----- | EDE2,EDE2/A,EDK,EDN,EDN2,EDN2/A,EDN5,EDN5/A,EDS,EDS1,EDS1/A,EDS2,EDS2/A,EDS3,EDS4,EDS5,EDS6,EDS6/A,EDT,EDT/A,EDT1,EDT1/A,EDT2,EDT3,EDT6,EDT6/A,ED6,ED6/A,ED7,ED8,ED8/A,ED9,ED9/A,EN,ENT,ENT/A,ENT2,EN6,EN6/A,ET,ETS,ETX,PKT2,PKT2/A,PKT4,PKT4/A,PKX2,PKX4,PKX4/A,PX,PX/A,PXA2,PXE8,PXE8/A,P1,P1/A,QA,QAB2,QAB2/A,QAC2,QAC2/A,QAE,QAE2,QAE2/A,QAE6,QAE6/A,QAG,QAG/A,QAQ2,QAQ2/A,QAP,QAPE,QAP2,QAP2/A,QAQ,QA2,QA2/A,QA26,QA26/A,QDW9,QDW9/A,QE,QE/A,QH,QH/A,QHB3,QHB3/A,QHB5,QHC,QHE,QHE/A,QHP1,QHP1/A,QHQ4,QHQ4/A,QH2,QKA4,QKA4/A,QL2,QMEO,QMEO/A,QME8,QME8/A,QMH,QMH/A,QMT2,QMT2/A,QMX2,QNE,QNE2,QNE2/A,QNE6,QNE9,QNE9/A,QNR2,QNR2/A,QNR6,QNR6/A,QN18,QP,QP/A,QPE2,QT,QT/A,QTC2,QTC2/A,QWH2,QWH2/A,QX,QX/A,QXB,QXB/A,QXB7,QXB7/A,QXC,QXC/A,QXC4,QXC4/A,QXC6,QXC6/A,QXC9,QXC9/A,QXE,QXE/A,QXEB,QXE2,QXE4,QXE4/A,QXE6,QXE6/A,QXE8,QXE8/A,QXQ4,QXQ4/A,QXU,QXU/A,QX2,Q1,Q1/A,SDE,SE,SE/A,SH,SH/A,SHB1,SHB3,SHB3/A,SHE,SHEZ,SHQ4,SHQ4/A,SHT,SJ,SJ/A,SJG,SJG/A,SKE,SKE/A,SKZ,SKZ/A,SME0,SME0/A,SME2,SMX2,SMX2/A,STJ,STJ/A,STP,STP/A,STQ,STQ/A,STR,STR/A,SWX,SWX/A,SX,SX/A,SXB,SXB/A,SXB7,SXB7/A,SXE,SXE/A,SXEB,SXEB/A,SXE2,SXE4,SXE4/A,SXE8,SXE8/A,SXP,SXQ4,SXQ4/A,SXU,SXU/A,S1,S1/A,VA,VAA,VAE,VAE2,VAE2/A,VAH1,VAH2,VAW1,VA2,VA2/A,VC2,VC2/A,VDE,VDE2,VDE2/A,VD16,VE,VEB6,VH,VHE,VH12,VH12/A,VH22,VH22/A,VMQ,VMX,VNG,VNG1,VNG2,VSH7,VS2,VS3,VS4,VS5,VS6,VS7,VTE2,VVA,VVA2,VVC,VVC2,VVC2/A,VVE,VVE2,VVE2/A,VWS2,VWS2/A,VW12,VW12/A,VX,VX/A,VXA,VXB,VXB/A,VXB2,VXB7,VXB7/A,VXE,VXE/A,VXEB,VXEB/A,VXE2,VXE2/A,VXE4,VXE6,VXE7,VXE7/A,VXE8,VXE8/A,VXG,VXK,VXQ4,VXQ4/A,VXU,VXU/A,VXU1,VXU1/A,VX16,VX16/A,VX8,VX8/A,V1,YJ |
| | | | - | - | 1 | | |

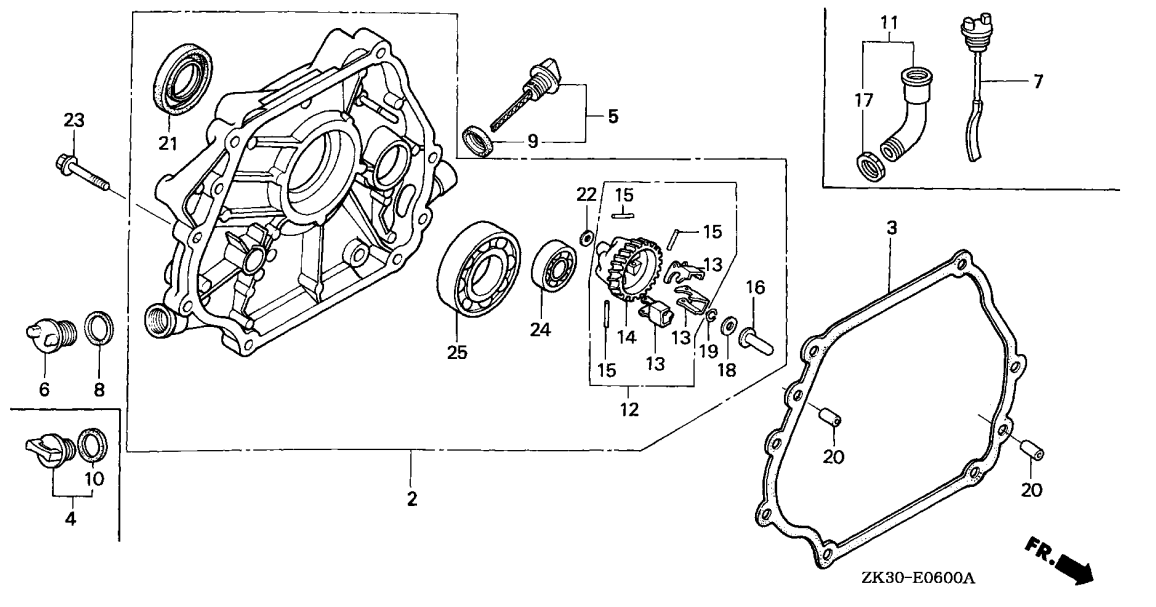




| Ref. No. | Part No. | Description | Reqd. QTY | | | Serial No. | Parts catalogue code |
|----------|-------------|--------------------------|-----------|-------|-----|------------|---|
| | | | GX | 340K1 | (3) | | |
| 22 | 94101-06800 | WASHER, PLAIN, 6MM | (1) | (2) | (3) | ----- | EDE2,EDE2/A,EDK,EDN,EDN2,EDN2/A,EDN5,EDN5/A,EDS,EDS1,EDS1/A,EDS2,EDS2/A,EDS3,EDS4,EDS5,EDS6,EDS6/A,EDT,EDT/A,EDT1,EDT1/A,EDT2,EDT3,EDT6,EDT6/A,ED6,ED6/A,ED7,ED8,ED8/A,ED9,ED9/A,EN,ENT,ENT/A,ENT2,EN6,EN6/A,ET,ETS,ETX,PKT2,PKT2/A,PKT4,PKT4/A,PKX2,PKX4,PKX4/A,PX,PX/A,PXA2,PXE8,PXE8/A,P1,P1/A,QA,QAB2,QAB2/A,QAC2,QAC2/A,QAE,QAE2,QAE2/A,QAE6,QAE6/A,QAG,QAG/A,QA2,QA2/A,QAP,QAPE,QAP2,QAP2/A,QAQ,QA2,QA2/A,QA26,QA26/A,QDW9,QDW9/A,QE,QE/A,QH,QH/A,QHB3,QHB3/A,QHB5,QHC,QHE,QHE/A,QHP1,QHP1/A,QHQ4,QHQ4/A,QH2,QKA4,QKA4/A,QL2,QME0,QME0/A,QME8,QME8/A,QMH,QMH/A,QMT2,QMT2/A,QMX2,QNE,QNE2,QNE2/A,QNE6,QNE9,QNE9/A,QNR2,QNR2/A,QNR6,QNR6/A,QN18,QP,QP/A,QPE2,QT,QT/A,QTC2,QTC2/A,QWH2,QWH2/A,QX,QX/A,QXB,QXB/A,QXB7,QXB7/A,QXC,QXC/A,QXC4,QXC4/A,QXC6,QXC6/A,QXC9,QXC9/A,QXE,QXE/A,QXEB,QXE2,QXE4,QXE4/A,QXE6,QXE6/A,QXE8,QXE8/A,QXQ4,QXQ4/A,QXU,QXU/A,QX2,Q1,Q1/A,SDE,SE,SE/A,SH,SH/A,SHB1,SHB3,SHB3/A,SHE,SHEZ,SHQ4,SHQ4/A,SHT,SJ,SJ/A,SJ6,SJ6/A,SKE,SKE/A,SKZ,SKZ/A,SME0,SME0/A,SME2,SMX2,SMX2/A,STJ,STJ/A,STP,STP/A,STQ,STQ/A,STR,STR/A,SWX,SWX/A,SX,SX/A,SXB,SXB/A,SXB7,SXB7/A,SXE,SXE/A,SXEB,SXEB/A,SXE2,SXE4,SXE4/A,SXE8,SXE8/A,SXP,SXQ4,SXQ4/A,SXU,SXU/A,S1,S1/A,VA,VAA,VAAE,VAD2,VAD2/A,VAH1,VAH2,VAW1,VA2,VA2/A,VC2,VC2/A,VDE,VDE2,VDE2/A,VD16,VE,VEB6,VH,VHE,VH12,VH12/A,VH22,VH22/A,VMQ,VMX,VNG,VNG1,VNG2,VSH7,VS2,VS3,VS4,VS5,VS6,VS7,VTE2,VWA,VWA2,VWC,VWC2,VWC2/A,VWE,VWE2,VWE2/A,VWS2,VWS2/A,VW12,VW12/A,VX,VX/A,VXA,VXB,VXB/A,VXB2,VXB7,VXB7/A,VXE,VXE/A,VXEB,VXEB/A,VXE2,VXE2/A,VXE4,VXE6,VXE7,VXE7/A,VXE8,VXE8/A,VXG,VXK,VXQ4,VXQ4/A,VXU,VXU/A,VXU1,VXU1/A,VX16,VX16/A,VX8,VX8/A,V1,YJ |
| | | | - | - | 1 | | |

| Ref. No. | Part No. | Description | Reqd. QTY | | | Serial No. | Parts catalogue code |
|----------|----------------|-------------------------------|--------------------|-----|-----|------------|--|
| | | | GX 340K1 (1) | (2) | (3) | | |
| 23 | 95701-08040-00 | BOLT, FLANGE, 8X40 | 7 | 7 | - | ----- | EDE2,EDE2/A,EDK,EDN,EDN2,EDN2/A,EDN5,EDN5/A,EDS,EDS1,EDS1/A,EDS2,EDS2/A,EDS3,EDS4,EDS5,EDS6,EDS6/A,EDT,EDT/A,EDT1,EDT1/A,EDT2,EDT3,EDT6,EDT6/A,ED6,ED6/A,ED7,ED8,ED8/A,ED9,ED9/A,EN,ENT,ENT/A,ENT2,EN6,EN6/A,ET,ETS,ETX,PKT2,PKT2/A,PKT4,PKT4/A,PKX2,PKX4,PKX4/A,PX,PX/A,PXA2,PXE8,PXE8/A,P1,P1/A,QA,QAB2,QAB2/A,QAC2,QAC2/A,QAE,QAE2,QAE2/A,QAE6,QAE6/A,QAG,QAG/A,QAQ2,QAQ2/A,QAP,QAPE,QAP2,QAP2/A,QAQ,QA2,QA2/A,QA26,QA26/A,QDW9,QDW9/A,QE,QE/A,QH,QH/A,QHB3,QHB3/A,QHB5,QHC,QHE,QHE/A,QHP1,QHP1/A,QHQ4,QHQ4/A,QH2,QKA4,QKA4/A,QL2,QMEO,QMEO/A,QME8,QME8/A,QMH,QMH/A,QMT2,QMT2/A,QMX2,QNE,QNE2,QNE2/A,QNE6,QNE9,QNE9/A,QNR2,QNR2/A,QNR6,QNR6/A,QN18,QP,QP/A,QPE2,QT,QT/A,QTC2,QTC2/A,QWH2,QWH2/A,QX,QX/A,QXB,QXB/A,QXB7,QXB7/A,QXC,QXC/A,QXC4,QXC4/A,QXC6,QXC6/A,QXC9,QXC9/A,QXE,QXE/A,QXEB,QXE2,QXE4,QXE4/A,QXE6,QXE6/A,QXE8,QXE8/A,QXQ4,QXQ4/A,QXU,QXU/A,QX2,Q1,Q1/A,SDE,SE,SE/A,SH,SH/A,SHB1,SHB3,SHB3/A,SHE,SHEZ,SHQ4,SHQ4/A,SHT,SJ,SJ/A,SJG,SJG/A,SKE,SKE/A,SKZ,SKZ/A,SME0,SME0/A,SME2,SMX2,SMX2/A,STJ,STJ/A,STP,STP/A,STQ,STQ/A,STR,STR/A,SWX,SWX/A,SX,SX/A,SXB,SXB/A,SXB7,SXB7/A,SXE,SXE/A,SXEB,SXEB/A,SXE2,SXE4,SXE4/A,SXE8,SXE8/A,SXP,SXQ4,SXQ4/A,SXU,SXU/A,S1,S1/A,VA,VAA,VAE,VAD2,VAD2/A,VAH1,VAH2,VAW1,VA2,VA2/A,VC2,VC2/A,VDE,VDE2,VDE2/A,VD16,VE,VEB6,VH,VHE,VH12,VH12/A,VH22,VH22/A,VMQ,VMX,VNG,VNG1,VNG2,VSH7,VS2,VS3,VS4,VS5,VS6,VS7,VTE2,VWA,VWA2,VWC,VWC2,VWC2/A,VWE,VWE2,VWE2/A,VWS2,VWS2/A,VW12,VW12/A,VX,VX/A,VXA,VXB,VXB/A,VXB2,VXB7,VXB7/A,VXE,VXE/A,VXEB,VXEB/A,VXE2,VXE2/A,VXE4,VXE6,VXE7,VXE7/A,VXE8,VXE8/A,VXG,VXK,VXQ4,VXQ4/A,VXU,VXU/A,VXU1,VXU1/A,VX16,VX16/A,VX8,VX8/A,V1,YJ |
| 24 | 96100-62020-00 | BEARING, RADIAL BALL, 6202 .. | 1 | 1 | - | ----- | EDE2,EDE2/A,EDK,EDN,EDN2,EDN2/A,EDN5,EDN5/A,EDS,EDS1,EDS1/A,EDS2,EDS2/A,EDS3,EDS4,EDS5,EDS6,EDS6/A,EDT,EDT/A,EDT1,EDT1/A,EDT2,EDT3,EDT6,EDT6/A,ED6,ED6/A,ED7,ED8,ED8/A,ED9,ED9/A,EN,ENT,ENT/A,ENT2,EN6,EN6/A,ET,ETS,ETX,PKT2,PKT2/A,PKT4,PKT4/A,PKX2,PKX4,PKX4/A,PX,PX/A,PXA2,PXE8,PXE8/A,P1,P1/A,QA,QAB2,QAB2/A,QAC2,QAC2/A,QAE,QAE2,QAE2/A,QAE6,QAE6/A,QAG,QAG/A,QAQ2,QAQ2/A,QAP,QAPE,QAP2,QAP2/A,QAQ,QA2,QA2/A,QA26,QA26/A,QDW9,QDW9/A,QE,QE/A,QH,QH/A,QHB3,QHB3/A,QHB5,QHC,QHE,QHE/A,QHP1,QHP1/A,QHQ4,QHQ4/A,QH2,QKA4,QKA4/A,QL2,QMEO,QMEO/A,QME8,QME8/A,QMH,QMH/A,QMT2,QMT2/A,QMX2,QNE,QNE2,QNE2/A,QNE6,QNE9,QNE9/A,QNR2,QNR2/A,QNR6,QNR6/A,QN18,QP,QP/A,QPE2,QT,QT/A,QTC2,QTC2/A,QWH2,QWH2/A,QX,QX/A,QXB,QXB/A,QXB7,QXB7/A,QXC,QXC/A,QXC4,QXC4/A,QXC6,QXC6/A,QXC9,QXC9/A,QXE,QXE/A,QXEB,QXE2,QXE4,QXE4/A,QXE6,QXE6/A,QXE8,QXE8/A,QXQ4,QXQ4/A,QXU,QXU/A,QX2,Q1,Q1/A,SDE,SE,SE/A,SH,SH/A,SHB1,SHB3,SHB3/A,SHE,SHEZ,SHQ4,SHQ4/A,SHT,SJ,SJ/A,SJG,SJG/A,SKE,SKE/A,SKZ,SKZ/A,SME0,SME0/A,SME2,SMX2,SMX2/A,STJ,STJ/A,STP,STP/A,STQ,STQ/A,STR,STR/A,SWX,SWX/A,SX,SX/A,SXB,SXB/A,SXB7,SXB7/A,SXE,SXE/A,SXEB,SXEB/A,SXE2,SXE4,SXE4/A,SXE8,SXE8/A,SXP,SXQ4,SXQ4/A,SXU,SXU/A,S1,S1/A,VA,VAA,VAE,VAD2,VAD2/A,VAH1,VAH2,VAW1,VA2,VA2/A,VC2,VC2/A,VDE,VDE2,VDE2/A,VD16,VE,VEB6,VH,VHE,VH12,VH12/A,VH22,VH22/A,VMQ,VMX,VNG,VNG1,VNG2,VSH7,VS2,VS3,VS4,VS5,VS6,VS7,VTE2,VWA,VWA2,VWC,VWC2,VWC2/A,VWE,VWE2,VWE2/A,VWS2,VWS2/A,VW12,VW12/A,VX,VX/A,VXA,VXB,VXB/A,VXB2,VXB7,VXB7/A,VXE,VXE/A,VXEB,VXEB/A,VXE2,VXE2/A,VXE4,VXE6,VXE7,VXE7/A,VXE8,VXE8/A,VXG,VXK,VXQ4,VXQ4/A,VXU,VXU/A,VXU1,VXU1/A,VX16,VX16/A,VX8,VX8/A,V1,YJ |



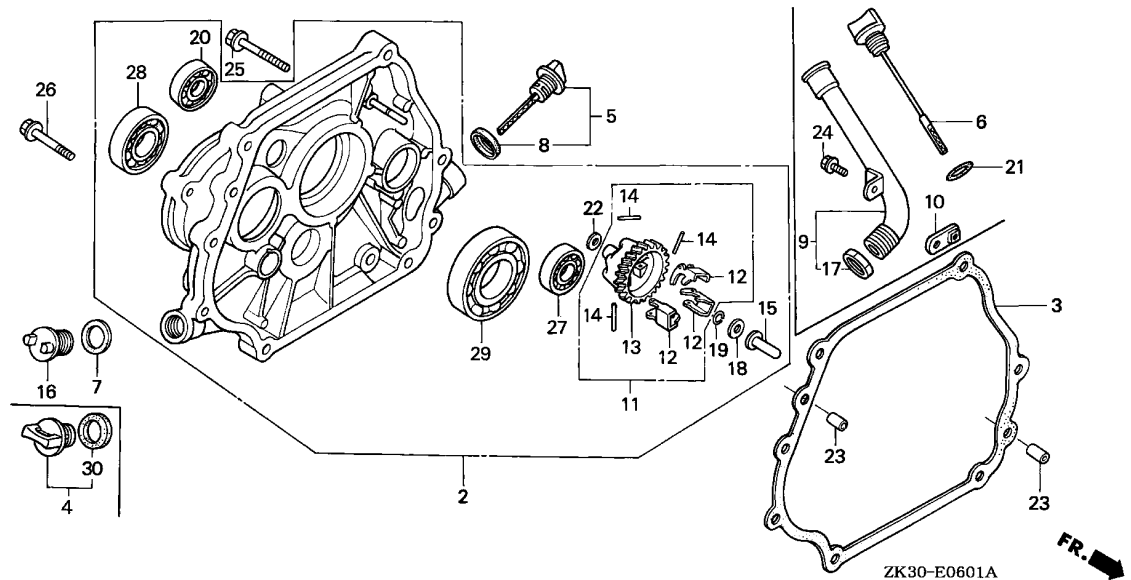


| Ref. No. | Part No. | Description | Reqd. QTY | | | Serial No. | Parts catalogue code |
|----------|----------------|-------------------------------|-----------|-------|-----|------------|---|
| | | | GX | 340K1 | (3) | | |
| 25 | 96100-62070-00 | BEARING, RADIAL BALL, 6207 .. | 1 | 1 | - | ----- | EDE2,EDE2/A,EDK,EDN,EDN2,EDN2/A,EDN5,EDN5/A,EDS,EDS1,EDS1/A,EDS2,EDS2/A,EDS3,EDS4,EDS5,EDS6,EDS6/A,EDT,EDT/A,EDT1,EDT1/A,EDT2,EDT3,EDT6,EDT6/A,ED6,ED6/A,ED7,ED8,ED8/A,ED9,ED9/A,EN,ENT,ENT/A,ENT2,EN6,EN6/A,ET,ETS,ETX,PKT2,PKT2/A,PKT4,PKT4/A,PKX2,PKX4,PKX4/A,PX,PX/A,PXA2,PXE8,PXE8/A,P1,P1/A,QA,QAB2,QAB2/A,QAC2,QAC2/A,QAE,QAE2,QAE2/A,QAE6,QAE6/A,QAG,QAG/A,QA2,QA2/A,QAP,QAPE,QAP2,QAP2/A,QAQ,QA2,QA2/A,QA26,QA26/A,QDW9,QDW9/A,QE,QE/A,QH,QH/A,QHB3,QHB3/A,QHB5,QHC,QHE,QHE/A,QHP1,QHP1/A,QHQ4,QHQ4/A,QH2,QKA4,QKA4/A,QL2,QME0,QME0/A,QME8,QME8/A,QMH,QMH/A,QMT2,QMT2/A,QMX2,QNE,QNE2,QNE2/A,QNE6,QNE9,QNE9/A,QNR2,QNR2/A,QNR6,QNR6/A,QN18,QP,QP/A,QPE2,QT,QT/A,QTC2,QTC2/A,QWH2,QWH2/A,QX,QX/A,QXB,QXB/A,QXB7,QXB7/A,QXC,QXC/A,QXC4,QXC4/A,QXC6,QXC6/A,QXC9,QXC9/A,QXE,QXE/A,QXEB,QXE2,QXE4,QXE4/A,QXE6,QXE6/A,QXE8,QXE8/A,QXQ4,QXQ4/A,QXU,QXU/A,QX2,Q1,Q1/A,SDE,SE,SE/A,SH,SH/A,SHB1,SHB3,SHB3/A,SHE,SHEZ,SHQ4,SHQ4/A,SHT,SJ,SJ/A,SJ6,SJ6/A,SKE,SKE/A,SKZ,SKZ/A,SME0,SME0/A,SME2,SMX2,SMX2/A,STJ,STJ/A,STP,STP/A,STQ,STQ/A,STR,STR/A,SWX,SWX/A,SX,SX/A,SBX,SBX/A,SBX7,SBX7/A,SXE,SXE/A,SXEB,SXEB/A,SXE2,SXE4,SXE4/A,SXE8,SXE8/A,SXP,SXQ4,SXQ4/A,SXU,SXU/A,S1,S1/A,VA,VAA,VAAE,VAD2,VAD2/A,VAH1,VAH2,VAW1,VA2,VA2/A,VC2,VC2/A,VDE,VDE2,VDE2/A,VD16,VE,VEB6,VH,VHE,VH12,VH12/A,VH22,VH22/A,VMQ,VMX,VNG,VNG1,VNG2,VSH7,VS2,VS3,VS4,VS5,VS6,VS7,VTE2,VWA,VWA2,VWC,VWC2,VWC2/A,VWE,VWE2,VWE2/A,VWS2,VWS2/A,VW12,VW12/A,VX,VX/A,VXA,VXB,VXB/A,VXB2,VXB7,VXB7/A,VXE,VXE/A,VXEB,VXEB/A,VXE2,VXE2/A,VXE4,VXE6,VXE7,VXE7/A,VXE8,VXE8/A,VXG,VXK,VXQ4,VXQ4/A,VXU,VXU/A,VXU1,VXU1/A,VX16,VX16/A,VX8,VX8/A,V1,YJ |
| | | | - | - | 1 | | |

E-6-1

CRANKCASE COVER(2)

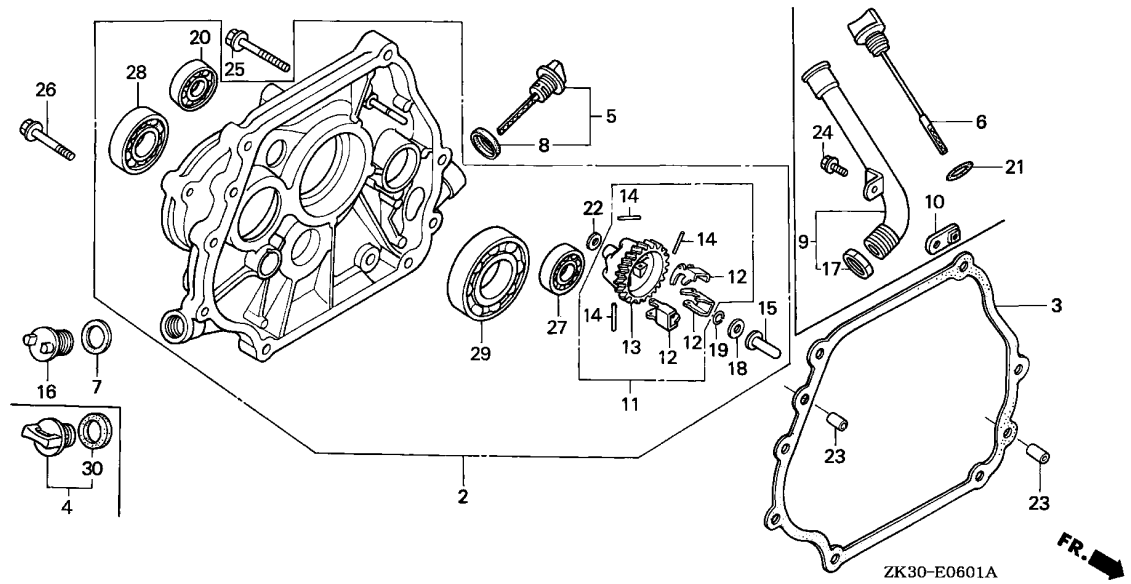
G13



| Ref. No. | L.O.N. | (Relative ref. Number) Description | F.R.T. |
|----------|--------|---|--------|
| 2 | 1101G0 | COVER, CRANKCASE(A) | 0.3 |
| 3 | 1101F9 | PACKING, CRANKCASE COVER(A) .. | 0.3 |
| 9 | 1101B9 | EXTENSION, OIL FILLER AND/OR PACKING, OIL FILLER EXTENSION (12) | 0.1 |
| 13 | 1161C6 | HOLDER, GOVERNOR WEIGHT(A) ... | 0.4 |
| 15 | 1161C7 | SLIDER, GOVERNOR(A) | 0.4 |
| 20 | 2101U3 | BEARING, COUNTERSHAFT :FRONT | 0.4 |
| 27 | 1101F5 | BEARING, BALANCER WEIGHT :REAR | 0.4 |
| 28 | 2141A7 | BEARING, POWER TAKE OFF SHAFT :FRONT | 0.4 |
| 29 | 1101A6 | BEARING, CRANKSHAFT :REAR | 0.4 |

| Ref. No. | Part No. | Description | Reqd. QTY | | | Serial No. | Parts catalogue code |
|----------|---------------|------------------------------|-----------|-------|-----|------------|---|
| | | | GX | 340K1 | (3) | | |
| 2 | 11300-ZE3-612 | COVER ASSY., CRANKCASE | 1 | 1 | - | 3460754 | HA2,HX26,LH,LHB3,LHE,LHQ4,LJ,LJG,LKE,LT,LWD1,LX,LXE,LXE2,LXE4,LXE8,LXQ4,LXU,LX2,LX26,L1,ZK1 |
| | 11300-ZE3-W00 | | 1 | - | - | | BJ,HA,HAQ,HH,HX,HX2,LHB1,LHC,LHW,LSX,LXE6,LXZ |
| | 11300-ZE3-614 | | 1 | 1 | - | | LP |
| | | | 1 | 1 | - | | HA2/A,HX26/A,LH/A,LHB3/A,LHB5,LHE/A,LHQ4/A,LJ/A,LJG/A,LJS,LJS/A,LJS1,LKE/A,LT/A,LWD,LWD1/A,LX/A,LXE/A,LXE2/A,LXE4/A,LXE8/A,LXQ4/A,LXU/A,LX2/A,LX26/A,L1/A,ZK1/A |
| 3 | 11381-ZE3-000 | PACKING, CASE COVER | 1 | (1) | - | 2178372 | HA2,HX26,LH,LHB3,LHE,LHQ4,LJ,LJG,LKE,LT,LWD1,LX,LXE,LXE2,LXE4,LXE8,LXQ4,LXU,LX2,LX26,L1,ZK1 |
| | 11381-ZE3-800 | | 1 | - | - | 3279758 | BJ,LJ,LP,LXZ,L1 |
| | | | 1 | - | - | 2178373 | HA2,HX26,LH,LHB3,LHE,LHQ4,LKE,LT,LX,LXE,LXE2,LXE4,LXE8,LXQ4,LXU,LX2,LX26,ZK1 |
| | 11381-ZE3-801 | | 1 | (1) | - | | LJ |
| | | | 1 | (1) | - | | HA,HAQ,HA2/A,HH,HX,HX2,HX26/A,LH/A,LHB1,LHB3/A,LHB5,LHC,LHE/A,LHQ4/A,LHW,LJ/A,LJG,LJG/A,LJS,LJS/A,LJS1,LKE/A,LSX,LT/A,LWD,LWD1/A,LX/A,LXE/A,LXE2/A,LXE4/A,LXE6,LXE8/A,LXQ4/A,LXU/A,LX2/A,LX26/A,L1/A,ZK1/A |
| | | | 1 | (1) | - | 2178373 | BJ,LP,LXZ,L1 |
| | | | 1 | - | - | 3279759 | HA2,HX26,LH,LHB3,LHE,LHQ4,LJ,LKE,LT,LX,LXE,LXE2,LXE4,LXE8,LXQ4,LXU,LX2,LX26,ZK1 |
| 4 | 15600-ZG4-003 | CAP ASSY., OIL FILLER | 1 | 1 | - | | HA,HA2,HA2/A,HX2,HX26,HX26/A,LH/A,LHB1,LHB3,LHB3/A,LHB5,LHE/A,LHQ4,LHQ4/A,LHW,LJ/A,LJG,LJG/A,LJS,LJS/A,LJS1,LKE/A,LT,LT/A,LWD,LWD1,LWD1/A,LX/A,LXE/A,LXE2/A,LXE4,LXE4/A,LXE6,LXE8,LXE8/A,LXQ4,LXQ4/A,LXU,LXU/A,LX2,LX2/A,LX26,LX26/A,L1/A,ZK1,ZK1/A |
| | | | 1 | 1 | - | 2259155 | BJ,HAQ,HH,HX,LH,LHC,LHE,LJ,LKE,LP,LX,LXE,LXZ,L1 |





| Ref. No. | Part No. | Description | Reqd. QTY | | | Serial No. | Parts catalogue code |
|----------|--------------------------------|-----------------------------------|-----------|-----|-----|---|----------------------|
| | | | (1) | (2) | (3) | | |
| 5 | 15600-735-003 | CAP ASSY., OIL FILLER | 1 | 1 | - | BJ, HA, HAQ, HA2, HA2/A, HH, HX, HX2, HX26, HX26/A, LH, LH/A, LHB1, LHB3, LHB3/A, LHB5, LHC, LHE, LHE/A, LHQ4, LHQ4/A, LHW, LJ, LJ/A, LJG, LJG/A, LJS, LJS/A, LJS1, LKE, LKE/A, LSX, LT, LT/A, LWD, LWD1, LWD1/A, LX, LX/A, LXE, LXE/A, LXE2, LXE2/A, LXE4, LXE4/A, LXE6, LXE8, LXE8/A, LXQ4, LXQ4/A, LXU, LXU/A, LXZ, LX2, LX2/A, LX26, LX26/A, L1, L1/A, ZK1, ZK1/A | |
| 6 | 15620-ZE3-L60 15620-ZE3-L61 | GAUGE COMP., OIL LEVEL | 1 | - | - | 2375015 ZK1 ZK1/A | |
| 7 | 15621-896-010 | PACKING, OIL FILLER CAP | 1 | 1 | - | 2259154 ZK1 | |
| 8 | 15625-ZE1-003 | PACKING, OIL FILLER CAP | 1 | 1 | - | BJ, HA, HAQ, HA2, HA2/A, HH, HX, HX2, HX26, HX26/A, LH, LH/A, LHB1, LHB3, LHB3/A, LHB5, LHC, LHE, LHE/A, LHQ4, LHQ4/A, LHW, LJ, LJ/A, LJG, LJG/A, LJS, LJS/A, LJS1, LKE, LKE/A, LSX, LT, LT/A, LWD, LWD1, LWD1/A, LX, LX/A, LXE, LXE/A, LXE2, LXE2/A, LXE4, LXE4/A, LXE6, LXE8, LXE8/A, LXQ4, LXQ4/A, LXU, LXU/A, LXZ, LX2, LX2/A, LX26, LX26/A, L1, L1/A, ZK1, ZK1/A | |
| 9 | 15630-ZE3-L60 | EXTENSION COMP., OIL FILLER | 1 | - | - | ZK1, ZK1/A | |
| 10 | 15634-ZE3-L60 | PLATE, EXTENSION | 1 | - | - | ZK1, ZK1/A | |
| 11 | 16510-ZE3-000 | GOVERNOR ASSY. | 1 | 1 | - | BJ, HA, HAQ, HA2, HA2/A, HH, HX, HX2, HX26, HX26/A, LH, LH/A, LHB1, LHB3, LHB3/A, LHB5, LHC, LHE, LHE/A, LHQ4, LHQ4/A, LHW, LJ, LJ/A, LJG, LJG/A, LJS, LJS/A, LJS1, LKE, LKE/A, LSX, LT, LT/A, LWD, LWD1, LWD1/A, LX, LX/A, LXE, LXE/A, LXE2, LXE2/A, LXE4, LXE4/A, LXE6, LXE8, LXE8/A, LXQ4, LXQ4/A, LXU, LXU/A, LXZ, LX2, LX2/A, LX26, LX26/A, L1, L1/A, ZK1, ZK1/A | |
| 12 | 16511-ZE8-000 | WEIGHT, GOVERNOR | 3 | 3 | - | BJ, HA, HAQ, HA2, HA2/A, HH, HX, HX2, HX26, HX26/A, LH, LH/A, LHB1, LHB3, LHB3/A, LHB5, LHC, LHE, LHE/A, LHQ4, LHQ4/A, LHW, LJ, LJ/A, LJG, LJG/A, LJS, LJS/A, LJS1, LKE, LKE/A, LSX, LT, LT/A, LWD, LWD1, LWD1/A, LX, LX/A, LXE, LXE/A, LXE2, LXE2/A, LXE4, LXE4/A, LXE6, LXE8, LXE8/A, LXQ4, LXQ4/A, LXU, LXU/A, LXZ, LX2, LX2/A, LX26, LX26/A, L1, L1/A, ZK1, ZK1/A | |

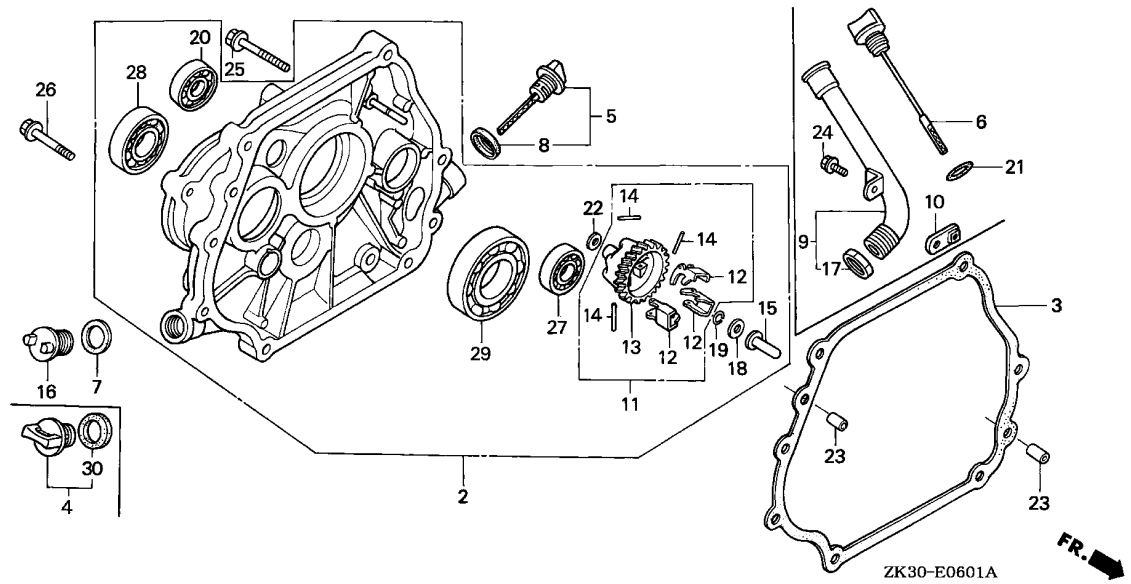
| Ref. No. | Part No. | Description | Reqd. QTY | | | Serial No. | Parts catalogue code |
|----------|----------------|-------------------------------------|-----------|-----|-----|------------|--|
| | | | (1) | (2) | (3) | | |
| 13 | 16512-ZE3-000 | HOLDER, GOVERNOR WEIGHT | 1 | 1 | - | ----- | BJ,HA,HAQ,HA2,HA2/A,HH,HX,HX2,HX26,HX26/A,LH,LH/A,LHB1,LHB3 LHB3/A,LHB5,LHC,LHE,LHE/A,LHQ4,LHQ4/A,LHW,LJ,LJ/A,LJG,LJG/A,LJS LJS/A,LJS1,LKE,LKE/A,LSX,LT,LT/A,LWD,LWD1,LWD1/A,LX,LX/A,LXE LXE/A,LXE2,LXE2/A,LXE4,LXE4/A,LXE6,LXE8,LXE8/A,LXQ4,LXQ4/A,LXU LXU/A,LXZ,LX2,LX2/A,LX26,LX26/A,L1,L1/A,ZK1,ZK1/A |
| 14 | 16513-ZE2-000 | PIN, GOVERNOR WEIGHT | 3 | 3 | - | ----- | BJ,HA,HAQ,HA2,HA2/A,HH,HX,HX2,HX26,HX26/A,LH,LH/A,LHB1,LHB3 LHB3/A,LHB5,LHC,LHE,LHE/A,LHQ4,LHQ4/A,LHW,LJ,LJ/A,LJG,LJG/A,LJS LJS/A,LJS1,LKE,LKE/A,LSX,LT,LT/A,LWD,LWD1,LWD1/A,LX,LX/A,LXE LXE/A,LXE2,LXE2/A,LXE4,LXE4/A,LXE6,LXE8,LXE8/A,LXQ4,LXQ4/A,LXU LXU/A,LXZ,LX2,LX2/A,LX26,LX26/A,L1,L1/A,ZK1,ZK1/A |
| 15 | 16531-ZE2-000 | SLIDER, GOVERNOR | 1 | 1 | - | ----- | 3460754 HA2,HX26,LH,LHB3,LHE,LHQ4,LJ,LJG,LKE,LT,LWD1,LX,LXE,LXE2,LXE4 LXE8,LXQ4,LXU,LX2,LX26,L1,ZK1 |
| | 16531-Z0A-000 | | 1 | 1 | - | ----- | BJ,HA,HAQ,HA2/A,HH,HX,HX2,HX26/A,LH/A,LHB1,LHB3/A,LHB5,LHC,LHE/A LHQ4/A,LHW,LJ/LJ/A,LJG/A,LJS,LJS/A,LJS1,LKE/A,LSX,LT/A,LWD,LWD1/A LX/A,LXE/A,LXE2/A,LXE4/A,LXE6,LXE8/A,LXQ4/A,LXU/A,LXZ,LX2/A LX26/A,L1/A,ZK1/A |
| | | | 1 | 1 | - | 3460755 | ----- HA2,HX26,LH,LHB3,LHE,LHQ4,LJ,LJG,LKE,LT,LWD1,LX,LXE,LXE2,LXE4 LXE8,LXQ4,LXU,LX2,LX26,L1,ZK1 |
| 16 | 15620-ZG4-910 | CAP, OIL FILLER | 1 | 1 | - | ----- | 2259154 BJ,HAQ,HH,HX,LH,LHC,LHE,LJ,LKE,LP,LX,LXE,LXZ,L1 |
| 17 | 90011-883-630 | NUT, OIL FILLER | 1 | - | - | ----- | ZK1,ZK1/A |
| 18 | 90473-147-000 | WASHER, 6X16 | 1 | 1 | - | ----- | BJ,HA,HAQ,HA2,HA2/A,HH,HX,HX26,HX26/A,LH,LH/A,LHB3,LHB3/A,LHC,LHE LHE/A,LHQ4,LHQ4/A,LJ,LJ/A,LJG,LJG/A,LKE,LKE/A,LT,LT/A,LWD1,LWD1/A LX,LX/A,LXE,LXE/A,LXE2,LXE2/A,LXE4,LXE4/A,LXE8,LXE8/A,LXQ4,LXQ4/A LXU,LXU/A,LXZ,LX2,LX2/A,LX26,LX26/A,L1,L1/A,ZK1,ZK1/A |
| 19 | 90602-ZE1-000 | CLIP, GOVERNOR HOLDER | 1 | 1 | - | ----- | BJ,HA,HAQ,HA2,HA2/A,HH,HX,HX2,HX26,HX26/A,LH,LH/A,LHB1,LHB3 LHB3/A,LHB5,LHC,LHE,LHE/A,LHQ4,LHQ4/A,LHW,LJ,LJ/A,LJG,LJG/A,LJS LJS/A,LJS1,LKE,LKE/A,LSX,LT,LT/A,LWD,LWD1,LWD1/A,LX,LX/A,LXE LXE/A,LXE2,LXE2/A,LXE4,LXE4/A,LXE6,LXE8,LXE8/A,LXQ4,LXQ4/A,LXU LXU/A,LXZ,LX2,LX2/A,LX26,LX26/A,L1,L1/A,ZK1,ZK1/A |
| 20 | 91009-KJ1-003 | BEARING, RADIAL BALL, 6202 (NTN) | 1 | 1 | - | ----- | BJ,HA,HAQ,HA2,HA2/A,HH,HX,HX2,HX26,HX26/A,LH,LH/A,LHB1,LHB3 LHB3/A,LHB5,LHC,LHE,LHE/A,LHQ4,LHQ4/A,LHW,LJ,LJ/A,LJG,LJG/A,LJS LJS/A,LJS1,LKE,LKE/A,LP,LSX,LT,LT/A,LWD,LWD1,LWD1/A,LX,LX/A,LXE LXE/A,LXE2,LXE2/A,LXE4,LXE4/A,LXE6,LXE8,LXE8/A,LXQ4,LXQ4/A,LXU LXU/A,LXZ,LX2,LX2/A,LX26,LX26/A,L1,L1/A,ZK1,ZK1/A |
| 21 | 91303-800-000 | O-RING, 16MM | 1 | - | - | ----- | ZK1,ZK1/A |
| 22 | 94101-06800 | WASHER, PLAIN, 6MM | 1 | 1 | - | ----- | BJ,HA,HAQ,HA2,HA2/A,HH,HX,HX2,HX26,HX26/A,LH,LH/A,LHB1,LHB3 LHB3/A,LHB5,LHC,LHE,LHE/A,LHQ4,LHQ4/A,LHW,LJ,LJ/A,LJG,LJG/A,LJS LJS/A,LJS1,LKE,LKE/A,LSX,LT,LT/A,LWD,LWD1,LWD1/A,LX,LX/A,LXE LXE/A,LXE2,LXE2/A,LXE4,LXE4/A,LXE6,LXE8,LXE8/A,LXQ4,LXQ4/A,LXU LXU/A,LXZ,LX2,LX2/A,LX26,LX26/A,L1,L1/A,ZK1,ZK1/A |
| 23 | 90701-HC4-000 | DOWEL PIN, 8X12 | 2 | 2 | - | ----- | BJ,HA,HAQ,HA2,HA2/A,HH,HX,HX2,HX26,HX26/A,LH,LH/A,LHB1,LHB3 LHB3/A,LHB5,LHC,LHE,LHE/A,LHQ4,LHQ4/A,LHW,LJ,LJ/A,LJG,LJG/A,LJS LJS/A,LJS1,LKE,LKE/A,LP,LSX,LT,LT/A,LWD,LWD1,LWD1/A,LX,LX/A,LXE LXE/A,LXE2,LXE2/A,LXE4,LXE4/A,LXE6,LXE8,LXE8/A,LXQ4,LXQ4/A,LXU LXU/A,LXZ,LX2,LX2/A,LX26,LX26/A,L1,L1/A,ZK1,ZK1/A |
| 24 | 95701-06012-00 | BOLT, FLANGE, 6X12 | 2 | - | - | ----- | ZK1,ZK1/A |
| 25 | 95701-08040-00 | BOLT, FLANGE, 8X40 | 1 | 1 | - | ----- | BJ,HA,HAQ,HA2,HA2/A,HH,HX,HX2,HX26,HX26/A,LH,LH/A,LHB1,LHB3 LHB3/A,LHB5,LHC,LHE,LHE/A,LHQ4,LHQ4/A,LHW,LJ,LJ/A,LJG,LJG/A,LJS LJS/A,LJS1,LKE,LKE/A,LP,LSX,LT,LT/A,LWD,LWD1,LWD1/A,LX,LX/A,LXE LXE/A,LXE2,LXE2/A,LXE4,LXE4/A,LXE6,LXE8,LXE8/A,LXQ4,LXQ4/A,LXU LXU/A,LXZ,LX2,LX2/A,LX26,LX26/A,L1,L1/A |
| | 95701-08045-00 | BOLT, FLANGE, 8X45 | 1 | - | - | ----- | ZK1,ZK1/A |



E-6-1

CRANKCASE COVER(2)

G16



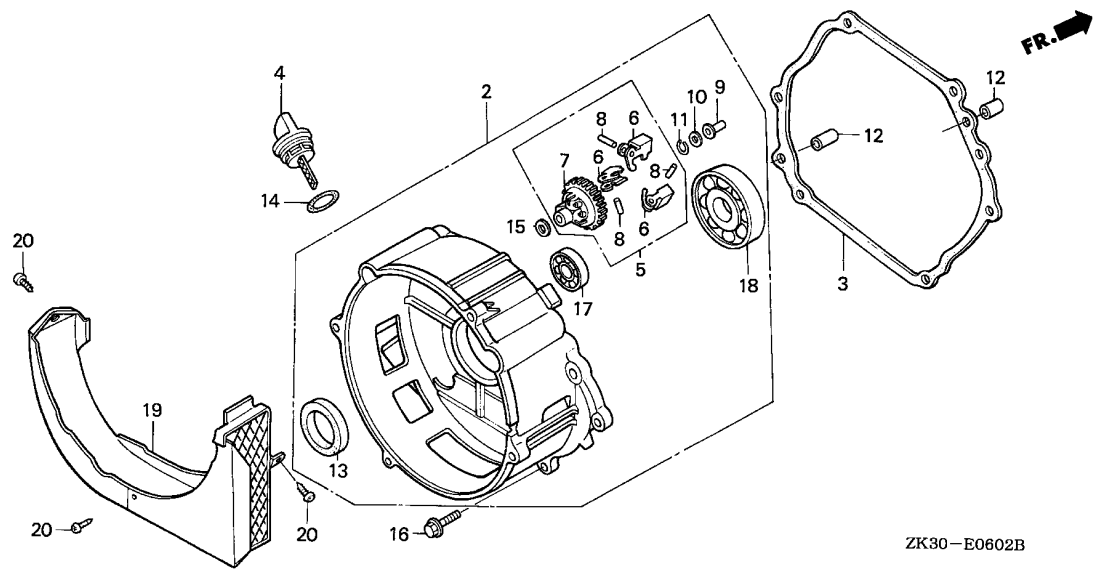
| Ref. No. | Part No. | Description | Reqd. QTY | | | Serial No. | Parts catalogue code | |
|----------|----------------|-------------------------------|-----------|-------|-----|------------|--|---|
| | | | GX | 340K1 | | | | |
| | | | (1) | (2) | (3) | | | |
| 26 | 95701-08040-00 | BOLT, FLANGE, 8X40 | 6 | 6 | - | ----- | BJ,HA,HAQ,HA2,HA2/A,HH,HX,HX2,HX26,HX26/A,LH,LH/A,LHB1,LHB3,LHB3/A,LHB5,LHC,LHE,LHE/A,LHQ4,LHQ4/A,LHW,LJ,LJ/A,LJG,LJG/A,LJS,LJS/A,LJS1,LKE,LKE/A,LP,LSX,LT,LT/A,LWD,LWD1,LWD1/A,LX,LX/A,LXE,LXE/A,LXE2,LXE2/A,LXE4,LXE4/A,LXE6,LXE8,LXE8/A,LXQ4,LXQ4/A,LXU,LXU/A,LXZ,LX2,LX2/A,LX26,LX26/A,L1,L1/A,ZK1,ZK1/A | |
| 27 | 96100-62020-00 | BEARING, RADIAL BALL, 6202 .. | 1 | 1 | - | ----- | BJ,HA,HAQ,HA2,HA2/A,HH,HX,HX2,HX26,HX26/A,LH,LH/A,LHB1,LHB3,LHB3/A,LHB5,LHC,LHE,LHE/A,LHQ4,LHQ4/A,LHW,LJ,LJ/A,LJG,LJG/A,LJS,LJS/A,LJS1,LKE,LKE/A,LP,LSX,LT,LT/A,LWD,LWD1,LWD1/A,LX,LX/A,LXE,LXE/A,LXE2,LXE2/A,LXE4,LXE4/A,LXE6,LXE8,LXE8/A,LXQ4,LXQ4/A,LXU,LXU/A,LXZ,LX2,LX2/A,LX26,LX26/A,L1,L1/A,ZK1,ZK1/A | |
| 28 | 96100-62040-00 | BEARING, RADIAL BALL, 6204 .. | 1 | 1 | - | ----- | BJ,HA,HAQ,HA2,HA2/A,HH,HX,HX2,HX26,HX26/A,LH,LH/A,LHB1,LHB3,LHB3/A,LHB5,LHC,LHE,LHE/A,LHQ4,LHQ4/A,LHW,LJ,LJ/A,LJG,LJG/A,LJS,LJS/A,LJS1,LKE,LKE/A,LP,LSX,LT,LT/A,LWD,LWD1,LWD1/A,LX,LX/A,LXE,LXE/A,LXE2,LXE2/A,LXE4,LXE4/A,LXE6,LXE8,LXE8/A,LXQ4,LXQ4/A,LXU,LXU/A,LXZ,LX2,LX2/A,LX26,LX26/A,L1,L1/A,ZK1,ZK1/A | |
| 29 | 96100-62070-00 | BEARING, RADIAL BALL, 6207 .. | 1 | 1 | - | ----- | BJ,HA,HAQ,HA2,HA2/A,HH,HX,HX2,HX26,HX26/A,LH,LH/A,LHB1,LHB3,LHB3/A,LHB5,LHC,LHE,LHE/A,LHQ4,LHQ4/A,LHW,LJ,LJ/A,LJG,LJG/A,LJS,LJS/A,LJS1,LKE,LKE/A,LP,LSX,LT,LT/A,LWD,LWD1,LWD1/A,LX,LX/A,LXE,LXE/A,LXE2,LXE2/A,LXE4,LXE4/A,LXE6,LXE8,LXE8/A,LXQ4,LXQ4/A,LXU,LXU/A,LXZ,LX2,LX2/A,LX26,LX26/A,L1,L1/A,ZK1,ZK1/A | |
| 30 | 15625-ZE1-003 | PACKING, OIL FILLER CAP | 1 | 1 | - | ----- | HA,HA2,HA2/A,HX2,HX26,HX26/A,LH/A,LHB1,LHB3,LHB3/A,LHB5,LHE/A,LHQ4,LHQ4/A,LHW,LJ/A,LJG,LJG/A,LJS,LJS/A,LJS1,LKE/A,LT,LT/A,LWD,LWD1,LWD1/A,LX/A,LXE/A,LXE2,LXE2/A,LXE4,LXE4/A,LXE6,LXE8,LXE8/A,LXQ4,LXQ4/A,LXU,LXU/A,LX2,LX2/A,LX26,LX26/A,L1/A,ZK1,ZK1/A | |
| | | | 1 | 1 | - | 2259155 | ----- | BJ,HAQ,HH,HX,LH,LHC,LHE,LJ,LKE,LP,LX,LXE,LXZ,L1 |

2

E-6-2

CRANKCASE COVER(3)

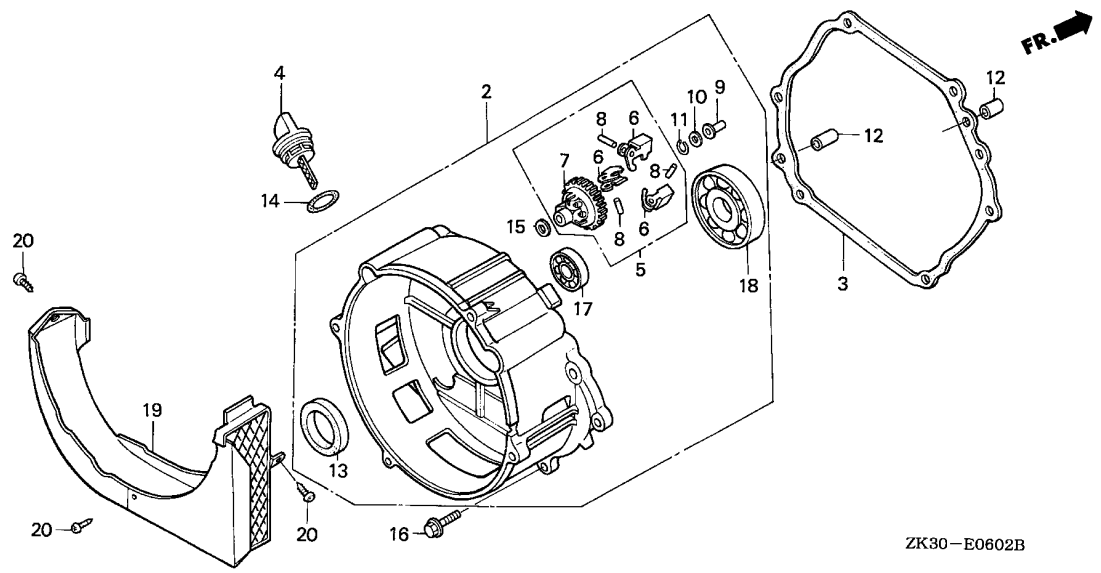
H 1



| Ref. No. | L.O.N. | (Relative ref. Number) Description | F.R.T. |
|----------|--------|---|--------|
| 2 | 1101G1 | COVER, CRANKCASE(B) | 0.3 |
| 3 | 1101F9 | PACKING, CRANKCASE COVER(A) .. (6) | 0.3 |
| 7 | 1161C6 | HOLDER, GOVERNOR WEIGHT(A) ... | 0.4 |
| 9 | 1161C7 | SLIDER, GOVERNOR(A) | 0.4 |
| 13 | 1101G3 | OIL SEAL, CRANKCASE COVER | 0.4 |
| 17 | 1101G5 | BEARING, BALANCER WEIGHT(A) :REAR | 0.5 |
| 18 | 1101G4 | BEARING, CRANKSHAFT(A) :REAR .. | 0.5 |
| 19 | 4141J5 | COVER, DUCT | 0.1 |

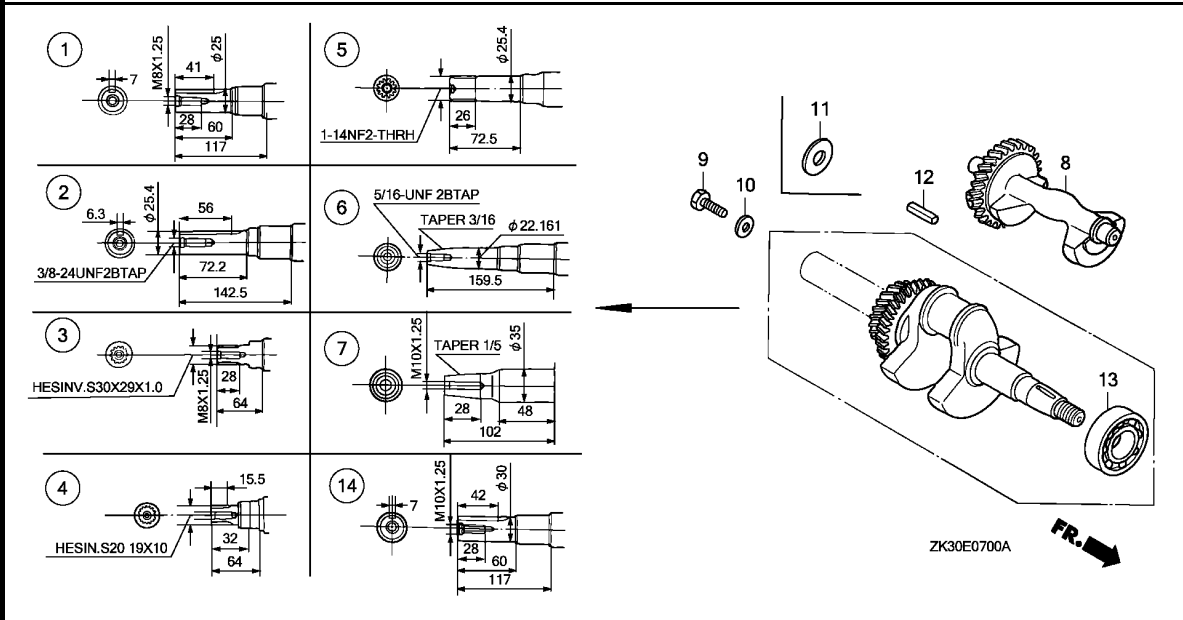
| Ref. No. | Part No. | Description | Reqd. QTY | | | Serial No. | Parts catalogue code |
|----------|---------------|-------------------------------|-----------|-----|-----|------------|--|
| | | | GX | (1) | (2) | | |
| 2 | 11300-ZE3-702 | COVER ASSY., CRANKCASE | 1 | - | - | ES | |
| | | | 1 | - | - | 2702384 | ES1 |
| | | | 1 | - | - | 3460754 | ES3,ES4,VMT |
| | 11300-ZE3-F50 | | 1 | - | - | 2702385 | 3460754 |
| | 11300-ZE3-704 | | 1 | - | - | | ES1 |
| | | | 1 | - | - | | EMT,EMT/A,ES3/A,ES4/A,VMT/A |
| | 11300-ZE3-F52 | | 1 | - | - | 3460755 | ES3,ES4,VMT |
| | | | 1 | - | - | | ES1/A,ES2 |
| | | | 1 | - | - | 3460755 | ES1 |
| 3 | 11381-ZE3-800 | PACKING, CASE COVER | 1 | - | - | | ES |
| | | | 1 | - | - | 3279758 | ES1,ES3,ES4,VMT |
| | 11381-ZE3-801 | | 1 | - | - | | EMT,EMT/A,ES1/A,ES2,ES3/A,ES4/A,VMT/A |
| | | | 1 | - | - | 3279759 | ES1,ES3,ES4,VMT |
| 4 | 15620-ZE2-700 | CAP, OIL FILLER | 1 | - | - | | EMT,EMT/A,ES,ES1,ES1/A,ES2,ES3,ES3/A,ES4,ES4/A,VMT,VMT/A |
| 5 | 16510-ZE3-000 | GOVERNOR ASSY. | 1 | - | - | | EMT,EMT/A,ES,ES1,ES1/A,ES2,ES3,ES3/A,ES4,ES4/A,VMT,VMT/A |
| 6 | 16511-ZE8-000 | WEIGHT, GOVERNOR | 3 | - | - | | EMT,EMT/A,ES,ES1,ES1/A,ES2,ES3,ES3/A,ES4,ES4/A,VMT,VMT/A |
| 7 | 16512-ZE3-000 | HOLDER, GOVERNOR WEIGHT | 1 | - | - | | EMT,EMT/A,ES,ES1,ES1/A,ES2,ES3,ES3/A,ES4,ES4/A,VMT,VMT/A |
| 8 | 16513-ZE2-000 | PIN, GOVERNOR WEIGHT | 3 | - | - | | EMT,EMT/A,ES,ES1,ES1/A,ES2,ES3,ES3/A,ES4,ES4/A,VMT,VMT/A |
| 9 | 16531-ZE2-000 | SLIDER, GOVERNOR | 1 | - | - | 3460754 | ES1,ES3,ES4,VMT |
| | 16531-Z0A-000 | | 1 | - | - | | EMT,EMT/A,ES,ES1/A,ES2,ES3/A,ES4/A,VMT/A |
| | | | 1 | - | - | 3460755 | ES1,ES3,ES4,VMT |
| 10 | 90473-147-000 | WASHER, 6X16 | 1 | - | - | 2240058 | ES,ES1,ES3,ES4 |
| 11 | 90602-ZE1-000 | CLIP, GOVERNOR HOLDER | 1 | - | - | | EMT,EMT/A,ES,ES1,ES1/A,ES2,ES3,ES3/A,ES4,ES4/A,VMT,VMT/A |
| 12 | 90701-HC4-000 | DOWEL PIN, 8X12 | 2 | - | - | | EMT,EMT/A,ES,ES1,ES1/A,ES2,ES3,ES3/A,ES4,ES4/A,VMT,VMT/A |
| 13 | 91201-ZE3-004 | OIL SEAL, 35X52X8 | 1 | - | - | | EMT,EMT/A,ES,ES1,ES1/A,ES2,ES3,ES3/A,ES4,ES4/A,VMT,VMT/A |
| 14 | 91301-805-000 | O-RING, 26X2.7 | 1 | - | - | | EMT,EMT/A,ES,ES1,ES1/A,ES2,ES3,ES3/A,ES4,ES4/A,VMT,VMT/A |
| 15 | 94101-06800 | WASHER, PLAIN, 6MM | 1 | - | - | | EMT,EMT/A,ES,ES1,ES1/A,ES2,ES3,ES3/A,ES4,ES4/A,VMT,VMT/A |

2



ZK30-E0602B

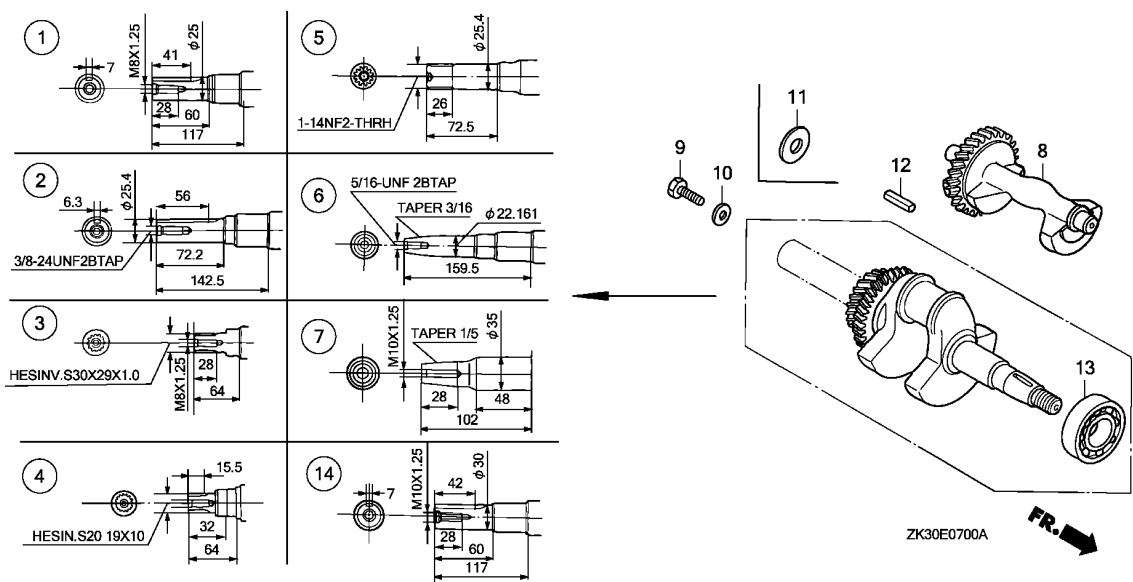
| Ref. No. | Part No. | Description | Reqd. QTY | | | Serial No. | Parts catalogue code |
|----------|----------------|-------------------------------|-----------|-----|-----|------------|--|
| | | | (1) | (2) | (3) | | |
| 16 | 95701-08040-00 | BOLT, FLANGE, 8X40 | 7 | - | - | ----- | EMT,EMT/A,ES,ES1,ES1/A,ES2,ES3,ES3/A,ES4,ES4/A,VMT,VMT/A |
| 17 | 96100-62020-00 | BEARING, RADIAL BALL, 6202 .. | 1 | - | - | ----- | EMT,EMT/A,ES,ES1,ES1/A,ES2,ES3,ES3/A,ES4,ES4/A,VMT,VMT/A |
| 18 | 96100-62070-00 | BEARING, RADIAL BALL, 6207 .. | 1 | - | - | ----- | EMT,EMT/A,ES,ES1,ES1/A,ES2,ES3,ES3/A,ES4,ES4/A,VMT,VMT/A |
| 19 | 11315-ZE3-700 | COVER, DUCT | 1 | - | - | ----- | EMT,EMT/A,VMT,VMT/A |
| 20 | 90019-883-000 | BOLT, FLANGE, 5X10 | 3 | - | - | ----- | EMT,EMT/A,VMT,VMT/A |



| Ref. No. | L.O.N. | (Relative ref. Number) Description | F.R.T. |
|----------|--------|------------------------------------|--------|
| 1 | | (2,3,4,5,6,7,14) | |
| 1101F0 | | CRANKSHAFT | 1.1 |
| 1101D8 | | WEIGHT, BALANCER | 0.3 |
| 1101A4 | | BEARING, CRANKSHAFT :FRONT ... | 1.3 |

| Ref. No. | Part No. | Description | Reqd. QTY | | | Serial No. | Parts catalogue code |
|----------|---------------|-----------------------|-----------|-------|-----|------------|--|
| | | | GX | 340K1 | | | |
| | | | (1) | (2) | (3) | | |
| 1 | 13310-ZE3-010 | CRANKSHAFT COMP. | 1 | 1 | - | ----- | SDE,SE,SH,SHB1,SHB3,SHE,SHEZ,SHQ4,SHT,SJ,SJG,SKE,SKZ,SME0,SME2,SMX2,STJ,STP,STQ,STR,SWX,SX,SBX,SXE,SXEB,SXE2,SXE4,SXE8,SXP,SXQ4,SXU,S1 |
| | 13310-ZK3-000 | | 1 | - | - | 4105385 | SE/A,SH/A,SHB3/A,SHQ4/A,SJ/A,SJG/A,SKE/A,SKZ/A,SME0/A,SMX2/A,STJ/A,STP/A,STQ/A,STR/A,SWX/A,SX/A,SBX/A,SXE/A,SXEB/A,SXE4/A,SXE8/A,SXQ4/A,SXU/A,S1/A |
| | 13310-ZE3-020 | | 1 | 1 | - | 4105386 | SXB7,SXB7/A |
| 2 | 13310-ZE3-601 | CRANKSHAFT COMP. | 1 | 1 | - | ----- | QA,QAB2,QAC2,QAQ,QAQ2,QAQ6,QAQ,QAQ2,QAP,QAPE,QAP2,QAQ,QA2,QA26,QDW9,QE,QH,QHB3,QHC,QHE,QHP1,QHQ4,QH2,QKA4,QL2,QME0,QME8,QMH,QMT2,QMX2,QNE,QNE2,QNE6,QNE9,QNR2,QNR6,QN18,QP,QPE2,QT,QTC2,QWH2,QX,QXB,QXC,QXC4,QXC6,QXC9,QXE,QXEB,QXE2,QXE4,QXE6,QXE8,QXQ4,QXU,QX2,Q1 |
| | 13310-ZK3-600 | | 1 | - | - | 3963138 | QAB2/A,QAC2/A,QAQ2/A,QAQ6/A,QAQ/A,QAQ2/A,QAP2/A,QA2/A,QA26/A,QDW9/A,QE/A,QH/A,QHB3/A,QHB5,QHE/A,QHP1/A,QHQ4/A,QKA4/A,QME0/A,QME8/A,QMH/A,QMT2/A,QNE2/A,QNE9/A,QNR2/A,QNR6/A,QP/A,QT/A,QTC2/A,QWH2/A,QX/A,QXB/A,QXC/A,QXC4/A,QXC6/A,QXC9/A,QXE/A,QXE4/A,QXE6/A,QXE8/A,QXQ4/A,QXU/A,Q1/A |
| | 13310-ZE3-602 | | 1 | 1 | - | 3963139 | QXB7,QXB7/A |
| | | | 1 | 1 | - | 3963139 | QAB2/A,QAC2/A,QAQ2/A,QAQ6/A,QAQ/A,QAQ2/A,QAP2/A,QA2/A,QA26/A,QDW9/A,QE/A,QH/A,QHB3/A,QHB5,QHE/A,QHP1/A,QHQ4/A,QKA4/A,QME0/A,QME8/A,QMH/A,QMT2/A,QNE2/A,QNE9/A,QNR2/A,QNR6/A,QP/A,QT/A,QTC2/A,QWH2/A,QX/A,QXB/A,QXC/A,QXC4/A,QXC6/A,QXC9/A,QXE/A,QXE4/A,QXE6/A,QXE8/A,QXQ4/A,QXU/A,Q1/A |

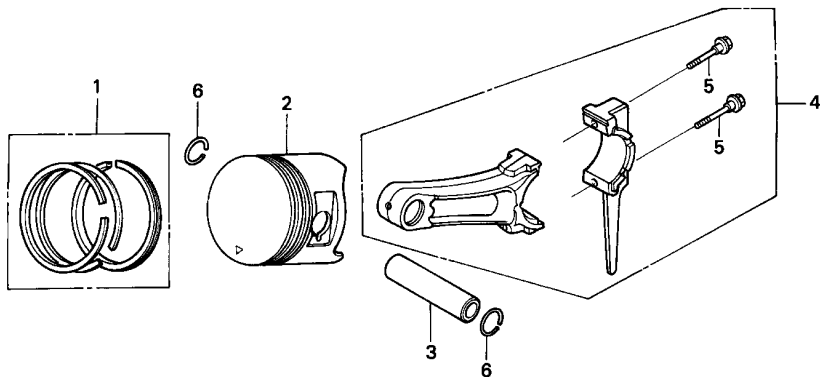




| Ref. No. | Part No. | Description | Reqd. QTY | | | Serial No. | Parts catalogue code |
|----------|---------------|-----------------------|-----------|-------|-----|------------|--|
| | | | GX | 340K1 | (3) | | |
| 3 | 13310-ZE3-611 | CRANKSHAFT COMP. | 1 | 1 | - | ----- | BJ, LH, LHB1, LHB3, LHC, LHE, LHQ4, LHW, LJ, LJG, LJS, LKE, LP, LSX, LT, LWD1, LX, LXE, LXE2, LXE4, LXE6, LXE8, LXQ4, LXU, LXZ, LX2, LX26, L1, ZK1 |
| | | | 1 | 1 | - | 3969517 | LH/A, LHB3/A, LHB5, LHE/A, LHQ4/A, LJ/A, LJG/A, LJS/A, LJS1, LKE/A, LT/A, LWD, LWD1/A, LX/A, LXE/A, LXE2/A, LXE4/A, LXE8/A, LXQ4/A, LXU/A, LX2/A, LX26/A, L1/A, ZK1/A |
| | 13310-ZE3-612 | | 1 | 1 | - | 3969518 | LH/A, LHB3/A, LHB5, LHE/A, LHQ4/A, LJ/A, LJG/A, LJS/A, LJS1, LKE/A, LT/A, LWD, LWD1/A, LX/A, LXE/A, LXE2/A, LXE4/A, LXE8/A, LXQ4/A, LXU/A, LX2/A, LX26/A, L1/A, ZK1/A |
| 4 | 13310-ZE3-640 | CRANKSHAFT COMP. | 1 | - | - | ----- | HA, HAQ, HA2, HA2/A, HH, HX, HX2, HX26, HX26/A |
| 5 | 13310-ZE3-651 | CRANKSHAFT COMP. | 1 | 1 | - | ----- | PKT2, PKT4, PKX4, PX, PXE8, P1 |
| | | | 1 | 1 | - | 3971353 | PKT2/A, PKT4/A, PKX2, PKX4/A, PX/A, PXA2, PXE8/A, P1/A |
| | 13310-ZE3-652 | | 1 | 1 | - | 3971354 | PKT2/A, PKT4/A, PKX2, PKX4/A, PX/A, PXA2, PXE8/A, P1/A |
| 6 | 13310-ZE3-671 | CRANKSHAFT COMP. | 1 | 1 | - | ----- | VA, VAA, VAAE, VAD2, VAH1, VAH2, VAW1, VA2, VC2, VDE, VDE2, VD16, VE, VEB6, VH, VHE, VH12, VH22, VMX, VNG, VNG1, VNG2, VS3, VS5, VWA, VWA2, VVC, VVC2, VWE, VWE2, VWS2, VW12, VX, VXA, VXB, VXB2, VXE, VXE8, VXE2, VXE4, VXE6, VXE8, VXG, VXQ4, VXU, VXU1, VX16, VX8, V1 |
| | | | 1 | - | - | 3970134 | VAD2/A, VA2/A, VC2/A, VDE2/A, VH12/A, VH22/A, VMQ, VVC2/A, VWE2/A, VWS2/A, VW12/A, VX/A, VXB/A, VXE/A, VXE8/A, VXE2/A, VXE4/A, VXQ4/A, VXU/A, VXU1/A, VX16/A, VX8/A |
| | 13310-ZK3-670 | | 1 | - | 1 | ----- | VSH7, VXB7, VXB7/A, VXE7, VXE7/A |
| | 13310-ZE3-672 | | 1 | - | - | ----- | VS2, VS3, VS4, VS5, VS6, VS7, VVC, VVE, VVK |
| | | | 1 | - | - | 3970135 | VAD2/A, VA2/A, VC2/A, VDE2/A, VH12/A, VH22/A, VMQ, VVC2/A, VWE2/A, VWS2/A, VW12/A, VX/A, VXB/A, VXE/A, VXE8/A, VXE2/A, VXE4/A, VXQ4/A, VXU/A, VXU1/A, VX16/A, VX8/A |

| Ref. No. | Part No. | Description | Reqd. QTY | | | Serial No. | Parts catalogue code |
|----------|----------------|---------------------------------|-----------|-----|-----|------------|---|
| | | | (1) | (2) | (3) | | |
| 7 | 13310-ZE3-701 | CRANKSHAFT COMP. | 1 | - | - | ----- | EDE2,EDE2/A,EDN,EDN2,EDN2/A,EDN5,EDN5/A,EDS,EDS1,EDS1/A,EDS2 EDS2/A,EDS3,EDS5,EDS6,EDS6/A,EDT,EDT/A,EDT1,EDT1/A,EDT2,EDT6 EDT6/A,ED6,ED6/A,ED7,ED8,ED8/A,ED9,ED9/A,EMT,EMT/A,EN,ENT,ENT/A ENT2,EN6,EN6/A,ES,ES1,ES1/A,ES3,ES3/A,ES4,ES4/A,ET,ETS,ETX,VMT VMT/A,VTE2 EDK,EDS4,EDT3,ES2 |
| | 13310-ZE3-702 | | 1 | - | - | ----- | |
| 8 | 13351-ZE3-010 | WEIGHT, BALANCER | 1 | 1 | 1 | | |
| 9 | 90003-ZE3-600 | BOLT, HEX., 3/8-24UNF (25MM) .. | 1 | (1) | - | ----- | LT,LT/A,QMX2,Q1,Q1/A |
| | 92000-10025-0A | BOLT, HEX., 10X25 | 1 | - | - | ----- | YJ |
| | 92101-08025-0A | BOLT, HEX., 8X25 | 1 | (1) | - | ----- | LJS,LJS1,SDE,SHT,SJ,SJ/A,SJG,SJG/A,SKE,SKE/A,SKZ,SKZ/A,SME2,SMX2 SMX2/A,STJ,STJ/A,STP,STP/A,STQ,STQ/A,STR,STR/A,S1,S1/A |
| 10 | 90471-ZE3-000 | WASHER, 10.5X40X4 | 1 | (1) | - | ----- | LT,LT/A,QMX2,Q1,Q1/A,YJ |
| 11 | 90534-706-010 | WASHER, LOCK, 8MM | 1 | (1) | - | ----- | EN,ET,ETS,ETX,LJ,LJ/A,LJG,LJG/A,LJS,LJS1,LWD,SDE,SHT,SJ,SJ/A,SJG SJG/A,SKE,SKE/A,SKZ,SKZ/A,SME2,SMX2,SMX2/A,STJ,STJ/A,STP,STP/A STQ,STQ/A,STR,STR/A,S1,S1/A |
| 12 | 90741-805-000 | KEY, 7X7X33 | 1 | (1) | - | ----- | LH,LH/A,LHB3,LHB3/A,LHE,LHE/A,LHQ4,LHQ4/A,LJ,LJ/A,LJG,LJG/A,LJS LJS1,LKE,LKE/A,LP,LX,LX/A,LXE,LXE/A,LXE2,LXE2/A,LXE4,LXE4/A,LXE8 LXE8/A,LXQ4,LXQ4/A,LXU,LXU/A,LX2,LX2/A,LX26,LX26/A,SDE,SE,SE/A,SH SH/A,SHB1,SHB3,SHB3/A,SHE,SHEZ,SHQ4,SHQ4/A,SHT,SJ,SJ/A,SJG,SJG/A SKE,SKE/A,SKZ,SKZ/A,SME2,SMX2,SMX2/A,STJ,STJ/A,STP,STP/A,STQ STQ/A,STR,STR/A,SWX,SWX/A,SX,SX/A,SXB,SXB/A,SXB7,SXB7/A,SXE,SXE/A SXEB,SXEB/A,SXE2,SXE4,SXE4/A,SXE8,SXE8/A,SXP,SXQ4,SXQ4/A,SXU SXU/A,S1,S1/A,YJ |
| | 90741-889-810 | KEY, 7X7X33(YELLOW) | (1) | (1) | - | ----- | EDK,ED8,ED8/A,ED9,ED9/A,EN,ET,ETS,ETX,LH,LH/A,LHB3,LHB3/A,LHE LHE/A,LHQ4,LHQ4/A,LJ,LJ/A,LJG,LJG/A,LJS1,LKE,LKE/A,LP,LX,LX/A,LXE LXE/A,LXE2,LXE2/A,LXE4,LXE4/A,LXE8,LXE8/A,LXQ4,LXQ4/A,LXU,LXU/A LX2,LX2/A,LX26,LX26/A,SDE,SE,SE/A,SH,SH/A,SHB1,SHB3,SHB3/A,SHE SHEZ,SHQ4,SHQ4/A,SHT,SJ,SJ/A,SJG,SJG/A,SKE,SKE/A,SKZ,SKZ/A,SME0 SME0/A,STJ,STJ/A,STP,STP/A,STQ,STQ/A,STR,STR/A,SWX,SWX/A,SX,SX/A SXB,SXB/A,SXB7,SXB7/A,SXE,SXE/A,SXEB,SXEB/A,SXE2,SXE4,SXE4/A,SXE8 SXE8/A,SXP,SXQ4,SXQ4/A,SXU,SXU/A,S1,S1/A,YJ |
| | 90745-ZE2-600 | KEY, 6.3X6.3X43 | 1 | (1) | - | ----- | HA2/A,HX26/A,QA,QAB2,QAB2/A,QAC2,QAC2/A,QAE,QAE2,QAE2/A,QAE6 QAE6/A,QAG,QAG/A,QA2,QA2/A,QAP,QAPE,QAP2,QAP2/A,QAQ,QA2,QA2/A QA26,QA26/A,QDW9,QDW9/A,QE,QE/A,QH,QH/A,QHB3,QHB3/A,QHB5,QHC,QHE QHE/A,QHP1,QHP1/A,QHQ4,QHQ4/A,QH2,QKA4,QKA4/A,QL2,QMH,QMH/A,QMT2 QMT2/A,QMX2,QNE,QNE2,QNE2/A,QNE6,QNE9,QNE9/A,QNR2,QNR2/A,QNR6 QNR6/A,QN18,QP,QP/A,QPE2,QT,QT/A,QWH2,QWH2/A,QX,QX/A,QXB,QXB/A QXB7,QXB7/A,QXC,QXC/A,QXC4,QXC4/A,QXC6,QXC6/A,QXC9,QXC9/A,QXE QXE/A,QXEB,QXE2,QXE4,QXE4/A,QXE6,QXE6/A,QXE8,QXE8/A,QXQ4,QXQ4/A QXU,QXU/A,QX2,Q1,Q1/A |
| 13 | 96100-62070-00 | BEARING, RADIAL BALL, 6207 .. | 1 | 1 | 1 | | |
| 14 | 13310-ZE3-811 | CRANKSHAFT COMP. | 1 | - | - | ----- | YJ |





ZK30-E0800A



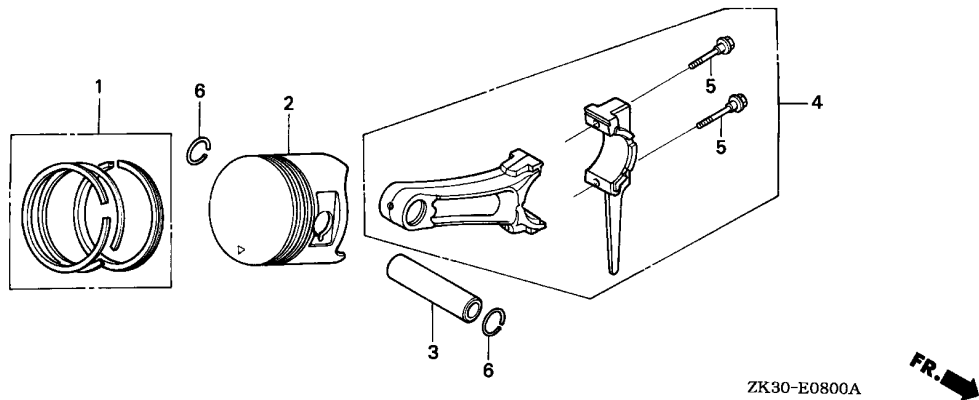
| Ref. No. | L.O.N. | (Relative ref. Number) Description | F.R.T. |
|----------|--------|---|--------|
| 2 | | (1,3,4) | |
| 1111R1 | | PISTON AND/OR RING SET AND/OR BEARING AND/OR ROD INCLUDES: Inspection/ Measurement/Cleaning | 1.2 |

| Ref. No. | Part No. | Description | Reqd. QTY GX 340K1 (1) (2) (3) | Serial No. | Parts catalogue code | |
|----------|---------------|-------------------------------------|---|------------|--|--|
| 1 | 13010-ZE3-003 | RING SET, PISTON (STD.) (NIPPON) | 1 1 - | ----- | BJ, EDE2, EDE2/A, EDN, EDN2, EDN2/A, EDN5, EDS, EDS1, EDS2, EDS2/A, EDS3, EDS5, EDS6, EDS6/A, EDT, EDT/A, EDT1, EDT2, EDT6, EDT6/A, ED6, ED6/A, ED7, ED8, ED9, EMT, EN, ENT, ENT/A, ENT2, EN6, EN6/A, ES, ES1, ES3, ES4, ET, ETS, ETX, HA, HAQ, HA2, HA2/A, HH, HX, HX2, HX26, HX26/A, LH, LHB1, LHB3, LHC, LHE, LHQ4, LHQ4/A, LHW, LJ, LJG, LJS, LKE, LKE/A, LP, LSX, LT, LWD1, LX, LXE, LXE2, LXE2/A, LX4, LX4/A, LX6, LX8, LX8/A, LXQ4, LXQ4/A, LXU, LXU/A, LXZ, LX2, LX2/A, LX26, LX26/A, L1, PKT2, PKT2/A, PKT4, PKT4/A, PKX2, PKX4, PKX4/A, PX, PXA2, PXE8, PXE8/A, P1, QA, QAB2, QAB2/A, QAC2, QAC2/A, QAE, QAE2, QAE2/A, QAE6, QAE6/A, QAG, QAG/A, QAH2, QAH2/A, QAP, QAPE, QAP2, QAP2/A, QAQ, QA2, QA2/A, QA26, QA26/A, QDW9, QDW9/A, QE, QE/A, QH, QHB3, QHC, QHE, QHE/A, QHP1, QHQ4, QHQ4/A, QH2, QKA4, QKA4/A, QL2, QME0, QME0/A, QME8, QME8/A, QMH, QMT2, QMT2/A, QMX2, QNE, QNE2, QNE2/A, QNE6, QNE9, QNE9/A, QNR2, QNR2/A, QNR6, QNR6/A, QN18, QP, QPE2, QT, QT/A, QTC2, QTC2/A, QWH2, QWH2/A, QX, QXB, QXB/A, QXB7, QXB7/A, QXC, QXC4, QXC4/A, QXC6, QXC6/A, QXC9, QXC9/A, QXE, QXEB, QXE2, QXE4, QXE4/A, QXE6, QXE6/A, QXE8, QXE8/A, QXQ4, QXQ4/A, QXU, QXU/A, QX2, Q1, SDE, SE, SE/A, SH, SHB1, SHB3, SHB3/A, SHE, SHEZ, SHQ4, SHQ4/A, SHT, SJ, SJG, SKE, SKZ, SME0, SME0/A, SME2, SMX2, SMX2/A, STJ, STP, STQ, STR, SWX, SWX/A, SX, SXB, SXB/A, SXB7, SXB7/A, SXE, SXEB, SXEB/A, SXE2, SXE4, SXE4/A, SXE8, SXE8/A, SXP, SXQ4, SXQ4/A, SXU, SXU/A, S1, VA, VAA, VAAE, VAD2, VAD2/A, VAH1, VAH2, VAW1, VA2, VA2/A, VC2, VC2/A, VDE, VDE2, VDE2/A, VD16, VE, VEB6, VH, VHE, VH12, VH12/A, VH22, VH22/A, VMT, VMX, VNG, VNG1, VNG2, VSH7, VTE2, VVA, VVA2, VVC, VVC2, VVC2/A, VVE, VVE2, VVE2/A, VWS2, VWS2/A, VW12, VW12/A, VX, VXA, VXB, VXB/A, VXB2, VXB7, VXB7/A, VXE, VXEB, VXEB/A, VXE2, VXE4, VXE6, VXE7, VXE7/A, VXE8, VXE8/A, VXG, VXQ4, VXQ4/A, VXU, VXU1, VX16, VX16/A, VX8, VX8/A, V1, YJ, ZK1, ZK1/A | |



| Ref. No. | Part No. | Description | Reqd. QTY | | | Serial No. | Parts catalogue code |
|----------|---------------|--------------------------------------|-----------|-----|-----|------------|--|
| | | | (1) | (2) | (3) | | |
| (1) | 13010-ZE3-003 | RING SET, PISTON (STD.) (NIPPON) | 1 | 1 | - | 4099047 | EDK,EDN5/A,EDS1/A,EDS4,EDT1/A,ED8/A,ED9/A,EMT/A,ES1/A,ES3/A,ES4/A LH/A,LHB3/A,LHB5,LHE/A,LJ/A,LJG/A,LJS/A,LJS1,LT/A,LWD,LWD1/A,LX/A LXE/A,L1/A,PX/A,P1/A,QH/A,QHB3/A,QHB5,QHP1/A,QMH/A,QP/A,QX/A QXC/A,QXE/A,Q1/A,SH/A,SJ/A,SJG/A,SKE/A,SKZ/A,STJ/A,STP/A,STQ/A STR/A,SX/A,SXE/A,S1/A,VMQ,VMT/A,VS3,VS4,VS5,VS6,VX/A,VXE/A,VXEB/A VXK,VXU/A,VXU1/A |
| | | | - | - | 1 | | |
| | 13010-ZE3-005 | RING SET, PISTON (STD.) (TEIKOKU) | 1 | 1 | - | | BJ,EDE2,EDE2/A,EDN,EDN2,EDN2/A,EDN5,EDS,EDS1,EDS2,EDS2/A,EDS3 EDS5,EDS6,EDS6/A,EDT,EDT/A,EDT1,EDT2,EDT6,EDT6/A,ED6,ED6/A,ED7 ED8,ED9,EMT,EN,ENT,ENT/A,ENT2,EN6,EN6/A,ES,ES1,ES3,ES4,ET,ETS,ETX HA,HAQ,HA2,HA2/A,HH,HX,HX2,HX26,HX26/A,LH,LHB1,LHB3,LHC,LHE,LHQ4 LHQ4/A,LHW,LJ,LJG,LJS,LKE,LKE/A,LP,LSX,LT,LWD1,LX,LXE,LXE2,LXE2/A LXE4,LXE4/A,LXE6,LXE8,LXE8/A,LXQ4,LXQ4/A,LXU,LXU/A,LXZ,LX2,LX2/A LX26,LX26/A,L1,PKT2,PKT2/A,PKT4,PKT4/A,PKX2,PKX4,PKX4/A,PX,PXA2 PX8,PXE8/A,P1,QA,QAB2,QAB2/A,QAC2,QAC2/A,QAE,QAE2,QAE2/A,QAE6 QAE6/A,QAG,QAG/A,QA2,QA2/A,QAP,QAPE,QAP2,QAP2/A,QAQ,QA2,QA2/A QA26,QA26/A,QDW9,QDW9/A,QE,QE/A,QH,QHB3,QHC,QHE,QHE/A,QHP1,QHQ4 QHQ4/A,QH2,QKA4,QKA4/A,QL2,QMEO,QMEO/A,QME8,QME8/A,QMH,QMT2 QMT2/A,QMX2,QNE,QNE2,QNE2/A,QNE6,QNE9,QNE9/A,QNR2,QNR2/A,QNR6 QNR6/A,QN18,QP,QPE2,QT,QT/A,QTC2,QTC2/A,QWH2,QWH2/A,QX,QXB,QXB/A QXB7,QXB7/A,QXC,QXC4,QXC4/A,QXC6,QXC6/A,QXC9,QXC9/A,QXE,QXE2,QXE2 QXE4,QXE4/A,QXE6,QXE6/A,QXE8,QXE8/A,QXQ4,QXQ4/A,QXU,QXU/A,QX2,Q1 SDE,SE,SE/A,SH,SHB1,SHB3,SHB3/A,SHE,SHEZ,SHQ4,SHQ4/A,SHT,SJ,SJG SKE,SKZ,SME0,SME0/A,SME2,SMX2,SMX2/A,STJ,STP,STQ,STR,SWX,SWX/A,SX SXB,SXB/A,SXB7,SXB7/A,SXE,SXEB,SXEB/A,SXE2,SXE4,SXE4/A,SXE8 SXE8/A,SXP,SXQ4,SXQ4/A,SXU,SXU/A,S1,VA,VAA,VAE,VAE2,VAE2/A,VAH1 VAH2,VAW1,VA2,VA2/A,VC2,VC2/A,VDE,VDE2,VDE2/A,VD16,VE,VEB6,VH,VHE VH12,VH12/A,VH22,VH22/A,VMT,VMX,VNG,VNG1,VNG2,VSH7,VTE2,VWA,VWA2 VWC,VWC2,VWC2/A,VWE,VWE2,VWE2/A,VWS2,VWS2/A,VW12,VW12/A,VX,VXA VXB,VXB/A,VXB7,VXB7/A,VXE,VXEB,VXE2,VXE2/A,VXE4,VXE6,VXE7 VXE7/A,VXE8,VXE8/A,VXG,VXQ4,VXQ4/A,VXU,VXU1,VX16,VX16/A,VX8,VX8/A V1,YJ,ZK1,ZK1/A |
| | | | 1 | 1 | - | 4099047 | EDK,EDN5/A,EDS1/A,EDS4,EDT1/A,ED8/A,ED9/A,EMT/A,ES1/A,ES3/A,ES4/A LH/A,LHB3/A,LHB5,LHE/A,LJ/A,LJG/A,LJS/A,LJS1,LT/A,LWD,LWD1/A,LX/A LXE/A,L1/A,PX/A,P1/A,QH/A,QHB3/A,QHB5,QHP1/A,QMH/A,QP/A,QX/A QXC/A,QXE/A,Q1/A,SH/A,SJ/A,SJG/A,SKE/A,SKZ/A,STJ/A,STP/A,STQ/A STR/A,SX/A,SXE/A,S1/A,VMQ,VMT/A,VS3,VS4,VS5,VS6,VX/A,VXE/A,VXEB/A VXK,VXU/A,VXU1/A |
| | | | - | - | 1 | | |





ZK30-E0800A

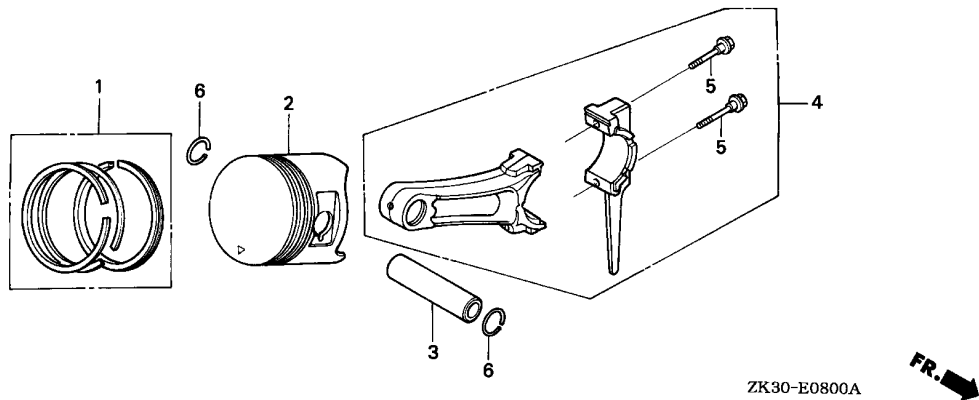


2

| Ref. No. | Part No. | Description | Reqd. QTY GX 340K1 (1) (2) (3) | Serial No. | Parts catalogue code |
|----------|---------------|-------------------------------------|---|------------|---|
| (1) | 13011-ZE3-003 | RING SET, PISTON (0.25) (NIPPON) | (1) (1) - | ----- | BJ, EDE2, EDE2/A, EDN, EDN2, EDN2/A, EDN5, EDS, EDS1, EDS2, EDS2/A, EDS3, EDS5, EDS6, EDS6/A, EDT, EDT/A, EDT1, EDT2, EDT6, EDT6/A, ED6, ED6/A, ED7, ED8, ED9, EMT, EN, ENT, ENT/A, ENT2, EN6, EN6/A, ES, ES1, ES3, ES4, ET, ETS, ETX, HA, HAQ, HA2, HA2/A, HH, HX, HX2, HX26, HX26/A, LH, LHB1, LHB3, LHC, LHE, LHQ4, LHQ4/A, LHW, LJ, LJG, LJS, LKE, LKE/A, LP, LSX, LT, LWD1, LX, LXE, LXE2, LXE2/A, LXE4, LXE4/A, LXE6, LXE8, LXE8/A, LXQ4, LXQ4/A, LXU, LXU/A, LXZ, LX2, LX2/A, LX26, LX26/A, L1, PKT2, PKT2/A, PKT4, PKT4/A, PKX2, PKX4, PKX4/A, PX, PXA2, PXE8, PXE8/A, P1, QA, QAB2, QAB2/A, QAC2, QAC2/A, QAE, QAE2, QAE2/A, QAE6, QAE6/A, QAG, QAG/A, QAH2, QAH2/A, QAP, QAPE, QAP2, QAP2/A, QAQ, QA2, QA2/A, QA26, QA26/A, QDW9, QDW9/A, QE, QE/A, QH, QHB3, QHC, QHE, QHE/A, QHP1, QHQ4, QHQ4/A, QH2, QKA4, QKA4/A, QL2, QME0, QME0/A, QME8, QME8/A, QMH, QMT2, QMT2/A, QMX2, QNE, QNE2, QNE2/A, QNE6, QNE9, QNE9/A, QNR2, QNR2/A, QNR6, QNR6/A, QN18, QP, QPE2, QT, QT/A, QTC2, QTC2/A, QWH2, QWH2/A, QX, QXB, QXB/A, QXB7, QXB7/A, QXC, QXC4, QXC4/A, QXC6, QXC6/A, QXC9, QXC9/A, QXE, QXEB, QXE2, QXE4, QXE4/A, QXE6, QXE6/A, QXE8, QXE8/A, QXQ4, QXQ4/A, QXU, QXU/A, QX2, Q1, SDE, SE, SE/A, SH, SHB1, SHB3, SHB3/A, SHE, SHEZ, SHQ4, SHQ4/A, SHT, SJ, SJG, SKE, SKZ, SME0, SME0/A, SME2, SMX2, SMX2/A, STJ, STP, STQ, STR, SWX, SWX/A, SX, SXB, SXB/A, SXB7, SXB7/A, SXE, SXEB, SXEB/A, SXE2, SXE4, SXE4/A, SXE8, SXE8/A, SXP, SXQ4, SXQ4/A, SXU, SXU/A, S1, VA, VAA, VAAE, VAD2, VAD2/A, VAH1, VAH2, VAW1, VA2, VA2/A, VC2, VC2/A, VDE, VDE2, VDE2/A, VD16, VE, VEB6, VH, VHE, VH12, VH12/A, VH22, VH22/A, VMT, VMX, VNG, VNG1, VNG2, VSH7, VTE2, VVA, VVA2, VVC, VVC2, VVC2/A, VVE, VVE2, VVE2/A, VWS2, VWS2/A, VW12, VW12/A, VX, VXA, VXB, VXB/A, VXB2, VXB7, VXB7/A, VXE, VXEB, VXEB/A, VXE2, VXE4, VXE6, VXE7, VXE7/A, VXE8, VXE8/A, VXG, VXQ4, VXQ4/A, VXU, VXU1, VX16, VX16/A, VX8, VX8/A, V1, YJ, ZK1, ZK1/A |

| Ref. No. | Part No. | Description | Reqd. QTY | | | Serial No. | Parts catalogue code |
|----------|---------------|--------------------------------------|-----------|-----|-----|------------|--|
| | | | (1) | (2) | (3) | | |
| (1) | 13011-ZE3-003 | RING SET, PISTON (0.25) (NIPPON) | (1) | (1) | - | 4099047 | EDK,EDN5/A,EDS1/A,EDS4,EDT1/A,ED8/A,ED9/A,EMT/A,ES1/A,ES3/A,ES4/A LH/A,LHB3/A,LHB5,LHE/A,LJ/A,LJG/A,LJS/A,LJS1,LT/A,LWD,LWD1/A,LX/A LXE/A,L1/A,PX/A,P1/A,QH/A,QHB3/A,QHB5,QHP1/A,QMH/A,QP/A,QX/A QXC/A,QXE/A,Q1/A,SH/A,SJ/A,SJG/A,SKE/A,SKZ/A,STJ/A,STP/A,STQ/A STR/A,SX/A,SXE/A,S1/A,VMQ,VMT/A,VS3,VS4,VS5,VS6,VX/A,VXE/A,VXEB/A VXK,VXU/A,VXU1/A |
| | | | - | - | (1) | | |
| | 13011-ZE3-005 | RING SET, PISTON (0.25) (TEIKOKU) | (1) | (1) | - | | BJ,EDE2,EDE2/A,EDN,EDN2,EDN2/A,EDN5,EDS,EDS1,EDS2,EDS2/A,EDS3 EDS5,EDS6,EDS6/A,EDT,EDT/A,EDT1,EDT2,EDT6,EDT6/A,ED6,ED6/A,ED7 ED8,ED9,EMT,EN,ENT,ENT/A,ENT2,EN6,EN6/A,ES,ES1,ES3,ES4,ET,ETS,ETX HA,HAQ,HA2,HA2/A,HH,HX,HX2,HX26,HX26/A,LH,LHB1,LHB3,LHC,LHE,LHQ4 LHQ4/A,LHW,LJ,LJG,LJS,LKE,LKE/A,LP,LSX,LT,LWD1,LX,LXE,LXE2,LXE2/A LXE4,LXE4/A,LXE6,LXE8,LXE8/A,LXQ4,LXQ4/A,LXU,LXU/A,LXZ,LX2,LX2/A LX26,LX26/A,L1,PKT2,PKT2/A,PKT4,PKT4/A,PKX2,PKX4,PKX4/A,PX,PXA2 PX8,PXE8/A,P1,QA,QAB2,QAB2/A,QAC2,QAC2/A,QAE,QAE2,QAE2/A,QAE6 QAE6/A,QAG,QAG/A,QA2,QA2/A,QAP,QAPE,QAP2,QAP2/A,QAQ,QA2,QA2/A QA26,QA26/A,QDW9,QDW9/A,QE,QE/A,QH,QHB3,QHC,QHE,QHE/A,QHP1,QHQ4 QHQ4/A,QH2,QKA4,QKA4/A,QL2,QMEO,QMEO/A,QME8,QME8/A,QMH,QMT2 QMT2/A,QMX2,QNE,QNE2,QNE2/A,QNE6,QNE9,QNE9/A,QNR2,QNR2/A,QNR6 QNR6/A,QN18,QP,QPE2,QT,QT/A,QTC2,QTC2/A,QWH2,QWH2/A,QX,QXB,QXB/A QXB7,QXB7/A,QXC,QXC4,QXC4/A,QXC6,QXC6/A,QXC9,QXC9/A,QXE,QXE2,QXE2 QXE4,QXE4/A,QXE6,QXE6/A,QXE8,QXE8/A,QXQ4,QXQ4/A,QXU,QXU/A,QX2,Q1 SDE,SE,SE/A,SH,SHB1,SHB3,SHB3/A,SHE,SHEZ,SHQ4,SHQ4/A,SHT,SJ,SJG SKE,SKZ,SME0,SME0/A,SME2,SMX2,SMX2/A,STJ,STP,STQ,STR,SWX,SWX/A,SX SXB,SXB/A,SXB7,SXB7/A,SXE,SXEB,SXEB/A,SXE2,SXE4,SXE4/A,SXE8 SXE8/A,SXP,SXQ4,SXQ4/A,SXU,SXU/A,S1,VA,VAA,VAE,VAE2,VAE2/A,VAH1 VAH2,VAW1,VA2,VA2/A,VC2,VC2/A,VDE,VDE2,VDE2/A,VD16,VE,VEB6,VH,VHE VH12,VH12/A,VH22,VH22/A,VMT,VMX,VNG,VNG1,VNG2,VSH7,VTE2,VVA,VWA2 VWC,VWC2,VWC2/A,VWE,VWE2,VWE2/A,VWS2,VWS2/A,VW12,VW12/A,VX,VXA VXB,VXB/A,VXB7,VXB7/A,VXE,VXEB,VXE2,VXE2/A,VXE4,VXE6,VXE7 VXE7/A,VXE8,VXE8/A,VXG,VXQ4,VXQ4/A,VXU,VXU1,VX16,VX16/A,VX8,VX8/A V1,YJ,ZK1,ZK1/A |
| | | | (1) | (1) | - | 4099047 | EDK,EDN5/A,EDS1/A,EDS4,EDT1/A,ED8/A,ED9/A,EMT/A,ES1/A,ES3/A,ES4/A LH/A,LHB3/A,LHB5,LHE/A,LJ/A,LJG/A,LJS/A,LJS1,LT/A,LWD,LWD1/A,LX/A LXE/A,L1/A,PX/A,P1/A,QH/A,QHB3/A,QHB5,QHP1/A,QMH/A,QP/A,QX/A QXC/A,QXE/A,Q1/A,SH/A,SJ/A,SJG/A,SKE/A,SKZ/A,STJ/A,STP/A,STQ/A STR/A,SX/A,SXE/A,S1/A,VMQ,VMT/A,VS3,VS4,VS5,VS6,VX/A,VXE/A,VXEB/A VXK,VXU/A,VXU1/A |
| | | | - | - | (1) | | |

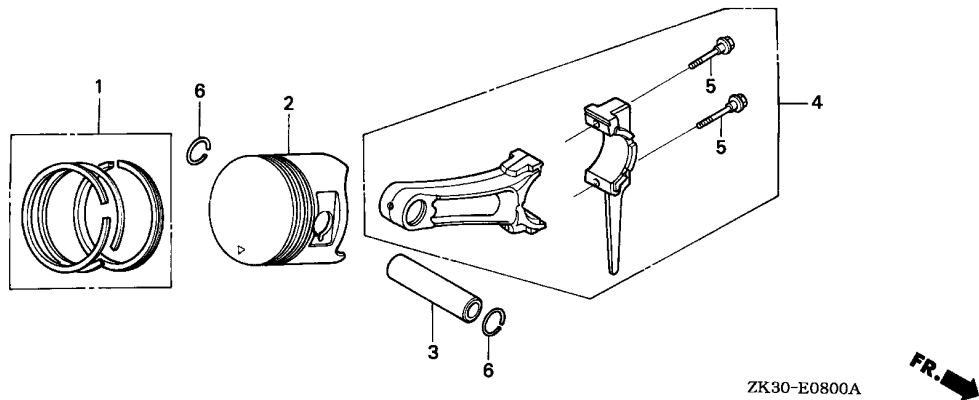




2

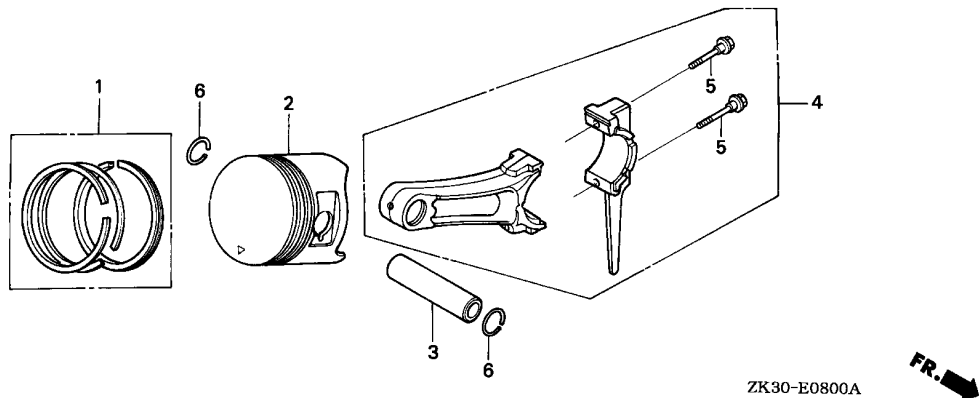
| Ref. No. | Part No. | Description | Reqd. QTY GX 340K1 (1) (2) (3) | Serial No. | Parts catalogue code |
|----------|---------------|-------------------------------------|---|------------|---|
| (1) | 13012-ZE3-003 | RING SET, PISTON (0.50) (NIPPON) | (1) (1) - | ----- | BJ, EDE2, EDE2/A, EDN, EDN2, EDN2/A, EDN5, EDS, EDS1, EDS2, EDS2/A, EDS3, EDS5, EDS6, EDS6/A, EDT, EDT/A, EDT1, EDT2, EDT6, EDT6/A, ED6, ED6/A, ED7, ED8, ED9, EMT, EN, ENT, ENT/A, ENT2, EN6, EN6/A, ES, ES1, ES3, ES4, ET, ETS, ETX, HA, HAQ, HA2, HA2/A, HH, HX, HX2, HX26, HX26/A, LH, LHB1, LHB3, LHC, LHE, LHQ4, LHQ4/A, LHW, LJ, LJG, LJS, LKE, LKE/A, LP, LSX, LT, LWD1, LX, LXE, LXE2, LXE2/A, LXE4, LXE4/A, LXE6, LXE8, LXE8/A, LXQ4, LXQ4/A, LXU, LXU/A, LXZ, LX2, LX2/A, LX26, LX26/A, L1, PKT2, PKT2/A, PKT4, PKT4/A, PKX2, PKX4, PKX4/A, PX, PXA2, PXE8, PXE8/A, P1, QA, QAB2, QAB2/A, QAC2, QAC2/A, QAE, QAE2, QAE2/A, QAE6, QAE6/A, QAG, QAG/A, QAH2, QAH2/A, QAP, QAPE, QAP2, QAP2/A, QAQ, QA2, QA2/A, QA26, QA26/A, QDW9, QDW9/A, QE, QE/A, QH, QHB3, QHC, QHE, QHE/A, QHP1, QHQ4, QHQ4/A, QH2, QKA4, QKA4/A, QL2, QME0, QME0/A, QME8, QME8/A, QMH, QMT2, QMT2/A, QMX2, QNE, QNE2, QNE2/A, QNE6, QNE9, QNE9/A, QNR2, QNR2/A, QNR6, QNR6/A, QN18, QP, QPE2, QT, QT/A, QTC2, QTC2/A, QWH2, QWH2/A, QX, QXB, QXB/A, QXB7, QXB7/A, QXC, QXC4, QXC4/A, QXC6, QXC6/A, QXC9, QXC9/A, QXE, QXEB, QXE2, QXE4, QXE4/A, QXE6, QXE6/A, QXE8, QXE8/A, QXQ4, QXQ4/A, QXU, QXU/A, QX2, Q1, SDE, SE, SE/A, SH, SHB1, SHB3, SHB3/A, SHE, SHEZ, SHQ4, SHQ4/A, SHT, SJ, SJG, SKE, SKZ, SME0, SME0/A, SME2, SMX2, SMX2/A, STJ, STP, STQ, STR, SWX, SWX/A, SX, SXB, SXB/A, SXB7, SXB7/A, SXE, SXEB, SXEB/A, SXE2, SXE4, SXE4/A, SXE8, SXE8/A, SXP, SXQ4, SXQ4/A, SXU, SXU/A, S1, VA, VAA, VAAE, VAD2, VAD2/A, VAH1, VAH2, VAW1, VA2, VA2/A, VC2, VC2/A, VDE, VDE2, VDE2/A, VD16, VE, VEB6, VH, VHE, VH12, VH12/A, VH22, VH22/A, VMT, VMX, VNG, VNG1, VNG2, VSH7, VTE2, VVA, VVA2, VVC, VVC2, VVC2/A, VVE, VVE2, VVE2/A, VWS2, VWS2/A, VW12, VW12/A, VX, VXA, VXB, VXB/A, VXB2, VXB7, VXB7/A, VXE, VXEB, VXEB/A, VXE2, VXE4, VXE6, VXE7, VXE7/A, VXE8, VXE8/A, VXG, VXQ4, VXQ4/A, VXU, VXU1, VX16, VX16/A, VX8, VX8/A, V1, YJ, ZK1, ZK1/A |

| Ref. No. | Part No. | Description | Reqd. QTY | | | Serial No. | Parts catalogue code |
|----------|---------------|--------------------------------------|--------------------|-----|-----|------------|--|
| | | | GX 340K1 (1) | (2) | (3) | | |
| (1) | 13012-ZE3-003 | RING SET, PISTON (0.50) (NIPPON) | (1) | (1) | - | 4099047 | EDK,EDN5/A,EDS1/A,EDS4,EDT1/A,ED8/A,ED9/A,EMT/A,ES1/A,ES3/A,ES4/A LH/A,LHB3/A,LHB5,LHE/A,LJ/A,LJG/A,LJS/A,LJS1,LT/A,LWD,LWD1/A,LX/A LXE/A,L1/A,PX/A,P1/A,QH/A,QHB3/A,QHB5,QHP1/A,QMH/A,QP/A,QX/A QXC/A,QXE/A,Q1/A,SH/A,SJ/A,SJG/A,SKE/A,SKZ/A,STJ/A,STP/A,STQ/A STR/A,SX/A,SXE/A,S1/A,VMQ,VMT/A,VS3,VS4,VS5,VS6,VX/A,VXE/A,VXEB/A VXK,VXU/A,VXU1/A |
| | | | - | - | (1) | | |
| | 13012-ZE3-005 | RING SET, PISTON (0.50) (TEIKOKU) | (1) | (1) | - | | BJ,EDE2,EDE2/A,EDN,EDN2,EDN2/A,EDN5,EDS,EDS1,EDS2,EDS2/A,EDS3 EDS5,EDS6,EDS6/A,EDT,EDT/A,EDT1,EDT2,EDT6,EDT6/A,ED6,ED6/A,ED7 ED8,ED9,EMT,EN,ENT,ENT/A,ENT2,EN6,EN6/A,ES,ES1,ES3,ES4,ET,ETS,ETX HA,HAQ,HA2,HA2/A,HH,HX,HX2,HX26,HX26/A,LH,LHB1,LHB3,LHC,LHE,LHQ4 LHQ4/A,LHW,LJ,LJG,LJS,LKE,LKE/A,LP,LSX,LT,LWD1,LX,LXE,LXE2,LXE2/A LXE4,LXE4/A,LXE6,LXE8,LXE8/A,LXQ4,LXQ4/A,LXU,LXU/A,LXZ,LX2,LX2/A LX26,LX26/A,L1,PKT2,PKT2/A,PKT4,PKT4/A,PKX2,PKX4,PKX4/A,PX,PXA2 PX8,PXE8/A,P1,QA,QAB2,QAB2/A,QAC2,QAC2/A,QAE,QAE2,QAE2/A,QAE6 QAE6/A,QAG,QAG/A,QA2,QA2/A,QAP,QAPE,QAP2,QAP2/A,QAQ,QA2,QA2/A QA26,QA26/A,QDW9,QDW9/A,QE,QE/A,QH,QHB3,QHC,QHE,QHE/A,QHP1,QHQ4 QHQ4/A,QH2,QKA4,QKA4/A,QL2,QMEO,QMEO/A,QME8,QME8/A,QMH,QMT2 QMT2/A,QMX2,QNE,QNE2,QNE2/A,QNE6,QNE9,QNE9/A,QNR2,QNR2/A,QNR6 QNR6/A,QN18,QP,QPE2,QT,QT/A,QTC2,QTC2/A,QWH2,QWH2/A,QX,QXB,QXB/A QXB7,QXB7/A,QXC,QXC4,QXC4/A,QXC6,QXC6/A,QXC9,QXC9/A,QXE,QXE2,QXE2 QXE4,QXE4/A,QXE6,QXE6/A,QXE8,QXE8/A,QXQ4,QXQ4/A,QXU,QXU/A,QX2,Q1 SDE,SE,SE/A,SH,SHB1,SHB3,SHB3/A,SHE,SHEZ,SHQ4,SHQ4/A,SHT,SJ,SJG SKE,SKZ,SME0,SME0/A,SME2,SMX2,SMX2/A,STJ,STP,STQ,STR,SWX,SWX/A,SX SXB,SXB/A,SXB7,SXB7/A,SXE,SXEB,SXEB/A,SXE2,SXE4,SXE4/A,SXE8 SXE8/A,SXP,SXQ4,SXQ4/A,SXU,SXU/A,S1,VA,VAA,VAE,VAE2,VAE2/A,VAH1 VAH2,VAW1,VA2,VA2/A,VC2,VC2/A,VDE,VDE2,VDE2/A,VD16,VE,VEB6,VH,VHE VH12,VH12/A,VH22,VH22/A,VMT,VMX,VNG,VNG1,VNG2,VSH7,VTE2,VVA,VWA2 VWC,VWC2,VWC2/A,VWE,VWE2,VWE2/A,VWS2,VWS2/A,VW12,VW12/A,VX,VXA VXB,VXB/A,VXB7,VXB7/A,VXE,VXEB,VXE2,VXE2/A,VXE4,VXE6,VXE7 VXE7/A,VXE8,VXE8/A,VXG,VXQ4,VXQ4/A,VXU,VXU1,VX16,VX16/A,VX8,VX8/A V1,YJ,ZK1,ZK1/A |
| | | | (1) | (1) | - | 4099047 | EDK,EDN5/A,EDS1/A,EDS4,EDT1/A,ED8/A,ED9/A,EMT/A,ES1/A,ES3/A,ES4/A LH/A,LHB3/A,LHB5,LHE/A,LJ/A,LJG/A,LJS/A,LJS1,LT/A,LWD,LWD1/A,LX/A LXE/A,L1/A,PX/A,P1/A,QH/A,QHB3/A,QHB5,QHP1/A,QMH/A,QP/A,QX/A QXC/A,QXE/A,Q1/A,SH/A,SJ/A,SJG/A,SKE/A,SKZ/A,STJ/A,STP/A,STQ/A STR/A,SX/A,SXE/A,S1/A,VMQ,VMT/A,VS3,VS4,VS5,VS6,VX/A,VXE/A,VXEB/A VXK,VXU/A,VXU1/A |
| | | | - | - | (1) | | |



| Ref. No. | Part No. | Description | Reqd. QTY GX 340K1 (1) (2) (3) | Serial No. | Parts catalogue code |
|----------|---------------|-------------------------------------|---|------------|---|
| (1) | 13013-ZE3-003 | RING SET, PISTON (0.75) (NIPPON) | (1) (1) - | ----- | BJ, EDE2, EDE2/A, EDN, EDN2, EDN2/A, EDN5, EDS, EDS1, EDS2, EDS2/A, EDS3, EDS5, EDS6, EDS6/A, EDT, EDT/A, EDT1, EDT2, EDT6, EDT6/A, ED6, ED6/A, ED7, ED8, ED9, EMT, EN, ENT, ENT/A, ENT2, EN6, EN6/A, ES, ES1, ES3, ES4, ET, ETS, ETX, HA, HAQ, HA2, HA2/A, HH, HX, HX2, HX26, HX26/A, LH, LHB1, LHB3, LHC, LHE, LHQ4, LHQ4/A, LHW, LJ, LJG, LJS, LKE, LKE/A, LP, LSX, LT, LWD1, LX, LXE, LXE2, LXE2/A, LXE4, LXE4/A, LXE6, LXE8, LXE8/A, LXQ4, LXQ4/A, LXU, LXU/A, LXZ, LX2, LX2/A, LX26, LX26/A, L1, PKT2, PKT2/A, PKT4, PKT4/A, PKX2, PKX4, PKX4/A, PX, PXA2, PXE8, PXE8/A, P1, QA, QAB2, QAB2/A, QAC2, QAC2/A, QAE, QAE2, QAE2/A, QAE6, QAE6/A, QAG, QAG/A, QAH2, QAH2/A, QAP, QAPE, QAP2, QAP2/A, QAQ, QA2, QA2/A, QA26, QA26/A, QDW9, QDW9/A, QE, QE/A, QH, QHB3, QHC, QHE, QHE/A, QHP1, QHQ4, QHQ4/A, QH2, QKA4, QKA4/A, QL2, QME0, QME0/A, QME8, QME8/A, QMH, QMT2, QMT2/A, QMX2, QNE, QNE2, QNE2/A, QNE6, QNE9, QNE9/A, QNR2, QNR2/A, QNR6, QNR6/A, QN18, QP, QPE2, QT, QT/A, QTC2, QTC2/A, QWH2, QWH2/A, QX, QXB, QXB/A, QXB7, QXB7/A, QXC, QXC4, QXC4/A, QXC6, QXC6/A, QXC9, QXC9/A, QXE, QXEB, QXE2, QXE4, QXE4/A, QXE6, QXE6/A, QXE8, QXE8/A, QXQ4, QXQ4/A, QXU, QXU/A, QX2, Q1, SDE, SE, SE/A, SH, SHB1, SHB3, SHB3/A, SHE, SHEZ, SHQ4, SHQ4/A, SHT, SJ, SJG, SKE, SKZ, SME0, SME0/A, SME2, SMX2, SMX2/A, STJ, STP, STQ, STR, SWX, SWX/A, SX, SXB, SXB/A, SXB7, SXB7/A, SXE, SXEB, SXEB/A, SXE2, SXE4, SXE4/A, SXE8, SXE8/A, SXP, SXQ4, SXQ4/A, SXU, SXU/A, S1, VA, VAA, VAAE, VAD2, VAD2/A, VAH1, VAH2, VAW1, VA2, VA2/A, VC2, VC2/A, VDE, VDE2, VDE2/A, VD16, VE, VEB6, VH, VHE, VH12, VH12/A, VH22, VH22/A, VMT, VMX, VNG, VNG1, VNG2, VSH7, VTE2, VVA, VVA2, VVC, VVC2, VVC2/A, VVE, VVE2, VVE2/A, VWS2, VWS2/A, VW12, VW12/A, VX, VXA, VXB, VXB/A, VXB2, VXB7, VXB7/A, VXE, VXEB, VXEB/A, VXE2, VXE4, VXE6, VXE7, VXE7/A, VXE8, VXE8/A, VXG, VXQ4, VXQ4/A, VXU, VXU1, VX16, VX16/A, VX8, VX8/A, V1, YJ, ZK1, ZK1/A |

| Ref. No. | Part No. | Description | Reqd. QTY | | | Serial No. | Parts catalogue code |
|----------|---------------|--------------------------------------|--------------------|-----|-----|------------|---|
| | | | GX 340K1 (1) | (2) | (3) | | |
| (1) | 13013-ZE3-003 | RING SET, PISTON (0.75) (NIPPON) | (1) | (1) | - | 4099047 | EDK,EDN5/A,EDS1/A,EDS4,EDT1/A,ED8/A,ED9/A,EMT/A,ES1/A,ES3/A,ES4/A LH/A,LHB3/A,LHB5,LHE/A,LJ/A,LJG/A,LJS/A,LJS1,LT/A,LWD,LWD1/A,LX/A LXE/A,L1/A,PX/A,P1/A,QH/A,QHB3/A,QHB5,QHP1/A,QMH/A,QP/A,QX/A QXC/A,QXE/A,Q1/A,SH/A,SJ/A,SJG/A,SKE/A,SKZ/A,STJ/A,STP/A,STQ/A STR/A,SX/A,SXE/A,S1/A,VMQ,VMT/A,VS3,VS4,VS5,VS6,VX/A,VXE/A,VXEB/A VXK,VXU/A,VXU1/A |
| | | | - | - | (1) | | |
| | 13013-ZE3-005 | RING SET, PISTON (0.75) (TEIKOKU) | (1) | (1) | - | | BJ,EDE2,EDE2/A,EDN,EDN2,EDN2/A,EDN5,EDS,EDS1,EDS2,EDS2/A,EDS3 EDS5,EDS6,EDS6/A,EDT,EDT/A,EDT1,EDT2,EDT6,EDT6/A,ED6,ED6/A,ED7 ED8,ED9,EMT,EN,ENT,ENT/A,ENT2,EN6,EN6/A,ES,ES1,ES3,ES4,ET,ETS,ETX HA,HAQ,HA2,HA2/A,HH,HX,HX2,HX26,HX26/A,LH,LHB1,LHB3,LHC,LHE,LHQ4 LHQ4/A,LHW,LJ,LJG,LJS,LKE,LKE/A,LP,LSX,LT,LWD1,LX,LXE,LXE2,LXE2/A LXE4,LXE4/A,LXE6,LXE8,LXE8/A,LXQ4,LXQ4/A,LXU,LXU/A,LXZ,LX2,LX2/A LX26,LX26/A,L1,PKT2,PKT2/A,PKT4,PKT4/A,PKX2,PKX4,PKX4/A,PX,PXA2 PXE8,PXE8/A,P1,QA,QAB2,QAB2/A,QAC2,QAC2/A,QAE,QAE2,QAE2/A,QAE6 QAE6/A,QAG,QAG/A,QA2,QA2/A,QAP,QAPE,QAP2,QAP2/A,QAQ,QA2,QA2/A QA26,QA26/A,QDW9,QDW9/A,QE,QE/A,QH,QHB3,QHC,QHE,QHE/A,QHP1,QHQ4 QHQ4/A,QH2,QKA4,QKA4/A,QL2,QMEO,QMEO/A,QME8,QME8/A,QMH,QMT2 QMT2/A,QMX2,QNE,QNE2,QNE2/A,QNE6,QNE9,QNE9/A,QNR2,QNR2/A,QNR6 QNR6/A,QN18,QP,QPE2,QT,QT/A,QTC2,QTC2/A,QWH2,QWH2/A,QX,QXB,QXB/A QXB7,QXB7/A,QXC,QXC4,QXC4/A,QXC6,QXC6/A,QXC9,QXC9/A,QXE,QXE,QXE2 QXE4,QXE4/A,QXE6,QXE6/A,QXE8,QXE8/A,QXQ4,QXQ4/A,QXU,QXU/A,QX2,Q1 SDE,SE,SE/A,SH,SHB1,SHB3,SHB3/A,SHE,SHEZ,SHQ4,SHQ4/A,SHT,SJ,SJG SKE,SKZ,SME0,SME0/A,SME2,SMX2,SMX2/A,STJ,STP,STQ,STR,SWX,SWX/A,SX SXB,SXB/A,SXB7,SXB7/A,SXE,SXEB,SXEB/A,SXE2,SXE4,SXE4/A,SXE8 SXE8/A,SXP,SXQ4,SXQ4/A,SXU,SXU/A,S1,VA,VAA,VAE,VAE2,VAE2/A,VAH1 VAH2,VAW1,VA2,VA2/A,VC2,VC2/A,VDE,VDE2,VDE2/A,VD16,VE,VEB6,VH,VHE VH12,VH12/A,VH22,VH22/A,VMT,VMX,VNG,VNG1,VNG2,VSH7,VTE2,VVA,VMA2 VMC,VMC2,VMC2/A,VME,VME2,VME2/A,VMS2,VMS2/A,VM12,VM12/A,VX,VXA VXB,VXB/A,VXB2,VXB7,VXB7/A,VXE,VXEB,VXE2,VXE2/A,VXE4,VXE6,VXE7 VXE7/A,VXE8,VXE8/A,VXG,VXQ4,VXQ4/A,VXU,VXU1,VX16,VX16/A,VX8,VX8/A V1,YJ,ZK1,ZK1/A |
| | | | (1) | (1) | - | 4099047 | EDK,EDN5/A,EDS1/A,EDS4,EDT1/A,ED8/A,ED9/A,EMT/A,ES1/A,ES3/A,ES4/A LH/A,LHB3/A,LHB5,LHE/A,LJ/A,LJG/A,LJS/A,LJS1,LT/A,LWD,LWD1/A,LX/A LXE/A,L1/A,PX/A,P1/A,QH/A,QHB3/A,QHB5,QHP1/A,QMH/A,QP/A,QX/A QXC/A,QXE/A,Q1/A,SH/A,SJ/A,SJG/A,SKE/A,SKZ/A,STJ/A,STP/A,STQ/A STR/A,SX/A,SXE/A,S1/A,VMQ,VMT/A,VS3,VS4,VS5,VS6,VX/A,VXE/A,VXEB/A VXK,VXU/A,VXU1/A |
| | | | - | - | (1) | | |
| | 13010-Z5L-004 | RING SET, PISTON (STD.) (TEIKOKU) | 1 | 1 | - | 4099048 | EDK,EDN5/A,EDS1/A,EDS4,EDT1/A,ED8/A,ED9/A,EMT/A,ES1/A,ES3/A,ES4/A LH/A,LHB3/A,LHB5,LHE/A,LJ/A,LJG/A,LJS/A,LJS1,LT/A,LWD,LWD1/A,LX/A LXE/A,L1/A,PX/A,P1/A,QH/A,QHB3/A,QHB5,QHP1/A,QMH/A,QP/A,QX/A QXC/A,QXE/A,Q1/A,SH/A,SJ/A,SJG/A,SKE/A,SKZ/A,STJ/A,STP/A,STQ/A STR/A,SX/A,SXE/A,S1/A,VMQ,VMT/A,VS3,VS4,VS5,VS6,VX/A,VXE/A,VXEB/A VXK,VXU/A,VXU1/A |
| | | | 1 | - | - | | EDT3,ES2,VS2,VS7 |
| | 13011-Z5L-004 | RING SET, PISTON (0.25) (TEIKOKU) | (1) | (1) | - | 4099048 | EDK,EDN5/A,EDS1/A,EDS4,EDT1/A,ED8/A,ED9/A,EMT/A,ES1/A,ES3/A,ES4/A LH/A,LHB3/A,LHB5,LHE/A,LJ/A,LJG/A,LJS/A,LJS1,LT/A,LWD,LWD1/A,LX/A LXE/A,L1/A,PX/A,P1/A,QH/A,QHB3/A,QHB5,QHP1/A,QMH/A,QP/A,QX/A QXC/A,QXE/A,Q1/A,SH/A,SJ/A,SJG/A,SKE/A,SKZ/A,STJ/A,STP/A,STQ/A STR/A,SX/A,SXE/A,S1/A,VMQ,VMT/A,VS3,VS4,VS5,VS6,VX/A,VXE/A,VXEB/A VXK,VXU/A,VXU1/A |
| | | | (1) | - | - | | EDT3,ES2,VS2,VS7 |

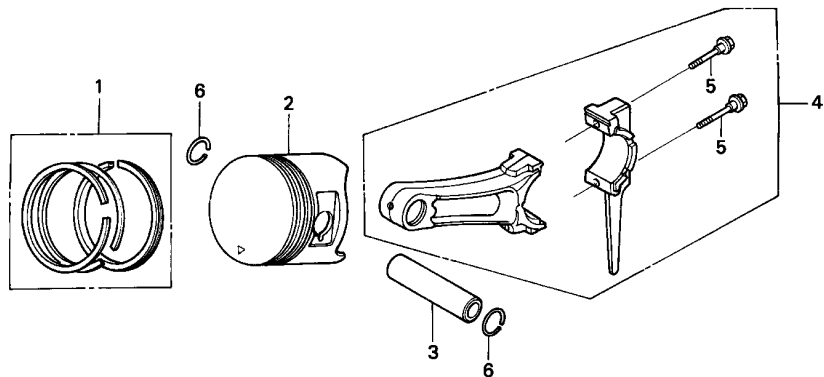


2

| Ref. No. | Part No. | Description | Reqd. QTY | | | Serial No. | Parts catalogue code |
|----------|---------------|--------------------------------------|-----------|-------|-----|------------|---|
| | | | GX | 340K1 | (3) | | |
| (1) | 13012-Z5L-004 | RING SET, PISTON (0.50) (TEIKOKU) | (1) | (1) | - | 4099048 | ----- EDK,EDN5/A,EDS1/A,EDS4,EDT1/A,ED8/A,ED9/A,EMT/A,ES1/A,ES3/A,ES4/A LH/A,LHB3/A,LHB5,LHE/A,LJ/A,LJG/A,LJS/A,LJS1,LT/A,LWD,LWD1/A,LX/A LXE/A,L1/A,PX/A,P1/A,QH/A,QHB3/A,QHB5,QHP1/A,QMH/A,QP/A,QX/A QXC/A,QXE/A,Q1/A,SH/A,SJ/A,SJG/A,SKE/A,SKZ/A,STJ/A,STP/A,STQ/A STR/A,SX/A,SXE/A,S1/A,VMQ,VMT/A,VS3,VS4,VS5,VS6,VX/A,VXE/A,VXEB/A VXK,VXU/A,VXU1/A EDT3,ES2,VS2,VS7 |
| | 13013-Z5L-004 | RING SET, PISTON (0.75) (TEIKOKU) | (1) | (1) | - | 4099048 | ----- EDK,EDN5/A,EDS1/A,EDS4,EDT1/A,ED8/A,ED9/A,EMT/A,ES1/A,ES3/A,ES4/A LH/A,LHB3/A,LHB5,LHE/A,LJ/A,LJG/A,LJS/A,LJS1,LT/A,LWD,LWD1/A,LX/A LXE/A,L1/A,PX/A,P1/A,QH/A,QHB3/A,QHB5,QHP1/A,QMH/A,QP/A,QX/A QXC/A,QXE/A,Q1/A,SH/A,SJ/A,SJG/A,SKE/A,SKZ/A,STJ/A,STP/A,STQ/A STR/A,SX/A,SXE/A,S1/A,VMQ,VMT/A,VS3,VS4,VS5,VS6,VX/A,VXE/A,VXEB/A VXK,VXU/A,VXU1/A EDT3,ES2,VS2,VS7 |

| Ref. No. | Part No. | Description | Reqd. QTY | | | Serial No. | Parts catalogue code |
|----------|---------------|---------------------|-----------|-----|-----|------------|---|
| | | | (1) | (2) | (3) | | |
| 2 | 13101-ZE3-W00 | PISTON (STD.) | 1 | 1 | - | ----- | BJ, EDE2, EDE2/A, EDN, EDN2, EDN2/A, EDN5, EDS, EDS1, EDS2, EDS2/A, EDS3, EDS5, EDS6, EDS6/A, EDT, EDT/A, EDT1, EDT2, EDT6, EDT6/A, ED6, ED6/A, ED7, ED8, ED9, EMT, EN, ENT, ENT/A, ENT2, EN6, EN6/A, ES, ES1, ES3, ES4, ET, ETS, ETX, HA, HAQ, HA2, HA2/A, HH, HX, HX2, HX26, HX26/A, LH, LHB1, LHB3, LHC, LHE, LHQ4, LHQ4/A, LHW, LJ, LJG, LJS, LKE, LKE/A, LP, LSX, LT, LWD1, LX, LXE, LXE2, LXE2/A, LXE4, LXE4/A, LXE6, LXE8, LXE8/A, LXQ4, LXQ4/A, LXU, LXU/A, LXZ, LX2, LX2/A, LX26, LX26/A, L1, PKT2, PKT2/A, PKT4, PKT4/A, PKX2, PKX4, PKX4/A, PX, PXA2, PXE8, PXE8/A, P1, QA, QAB2, QAB2/A, QAC2, QAC2/A, QAE, QAE2, QAE2/A, QAE6, QAE6/A, QAG, QAG/A, QAH2, QAH2/A, QAP, QAPE, QAP2, QAP2/A, QAQ, QA2, QA2/A, QA26, QA26/A, QDW9, QDW9/A, QE, QE/A, QH, QHB3, QHC, QHE, QHE/A, QHP1, QHQ4, QHQ4/A, QH2, QKA4, QKA4/A, QL2, QMEO, QMEO/A, QME8, QME8/A, QMH, QMT2, QMT2/A, QMX2, QNE, QNE2, QNE2/A, QNE6, QNE9, QNE9/A, QNR2, QNR2/A, QNR6, QNR6/A, QN18, QP, QPE2, QTC2, QTC2/A, QWH2, QWH2/A, QX, QXB, QXB/A, QXB7, QXB7/A, QXC, QXC4, QXC4/A, QXC6, QXC6/A, QXC9, QXC9/A, QXE, QXEB, QXE2, QXE4, QXE4/A, QXE6, QXE6/A, QXE8, QXE8/A, QXQ4, QXQ4/A, QXU, QXU/A, QX2, Q1, SDE, SE, SE/A, SH, SHB1, SHB3, SHB3/A, SHE, SHEZ, SHQ4, SHQ4/A, SHT, SJ, SJG, SKE, SKZ, SMEO, SMEO/A, SME2, SMX2, SMX2/A, STJ, STP, STQ, STR, SWX, SWX/A, SX, SXB, SXB/A, SXB7, SXB7/A, SXE, SXEB, SXEB/A, SXE2, SXE4, SXE4/A, SXE8, SXE8/A, SXP, SXQ4, SXQ4/A, SXU, SXU/A, S1, VA, VAA, VAAE, VAD2, VAD2/A, VAH1, VAH2, VAW1, VA2, VA2/A, VC2, VC2/A, VDE, VDE2, VDE2/A, VD16, VE, VEB6, VH, VHE, VH12, VH12/A, VH22, VH22/A, VMT, VMX, VNG, VNG1, VNG2, VSH7, VTE2, VWA, VWA2, VWC, VWC2, VWC2/A, VWE, VWE2, VWE2/A, VWS2, VWS2/A, VW12, VW12/A, VX, VXA, VXB, VXB/A, VXB2, VXB7, VXB7/A, VXE, VXEB, VXEB/A, VXE4, VXE6, VXE7, VXE7/A, VXE8, VXE8/A, VXG, VXQ4, VXQ4/A, VXU, VXU1, VX16, VX16/A, VX8, VX8/A, V1, YJ, ZK1, ZK1/A |
| | | | 1 | 1 | - | ----- | 4099047 EDK, EDN5/A, EDS1/A, EDS4, EDT1/A, ED8/A, ED9/A, EMT/A, ES1/A, ES3/A, ES4/A, LH/A, LHB3/A, LHB5, LHE/A, LJ/A, LJG/A, LJS/A, LJS1, LT/A, LWD, LWD1/A, LX/A, LXE/A, L1/A, PX/A, P1/A, QH/A, QHB3/A, QHB5, QHP1/A, QMH/A, QP/A, QX/A, QXC/A, QXE/A, Q1/A, SH/A, SJ/A, SJG/A, SKE/A, SKZ/A, STJ/A, STP/A, STQ/A, STR/A, SX/A, SXE/A, S1/A, VMQ, VMT/A, VS3, VS4, VS5, VS6, VX/A, VXE/A, VXEB/A, VXX, VXU/A, VXU1/A |
| | 13101-ZE3-810 | | - | - | 1 | ----- | QT, QT/A |





ZK30-E0800A

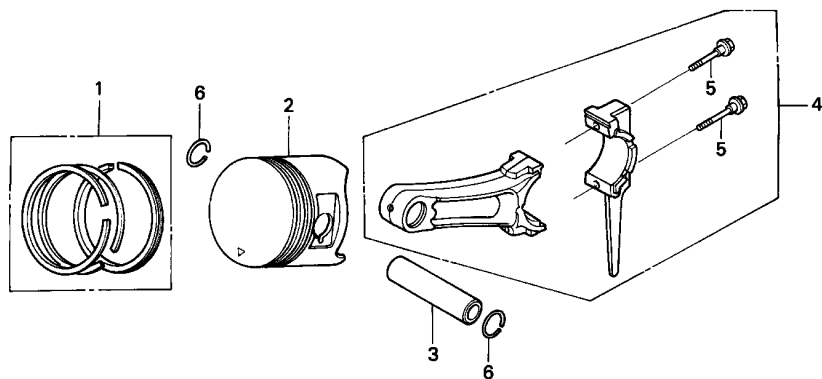


2

| Ref. No. | Part No. | Description | Reqd. QTY | | | Serial No. | Parts catalogue code |
|----------|---------------|---------------|-----------|-------|-----|------------|---|
| | | | GX | 340K1 | | | |
| | | | (1) | (2) | (3) | | |
| (2) | 13102-ZE3-W00 | PISTON (0.25) | (1) | (1) | - | ----- | BJ, EDE2, EDE2/A, EDN, EDN2, EDN2/A, EDN5, EDS, EDS1, EDS2, EDS2/A, EDS3, EDS5, EDS6, EDS6/A, EDT, EDT/A, EDT1, EDT2, EDT6, EDT6/A, ED6, ED6/A, ED7, ED8, ED9, EMT, EN, ENT, ENT/A, ENT2, EN6, EN6/A, ES, ES1, ES3, ES4, ET, ETS, ETX, HA, HAQ, HA2, HA2/A, HH, HX, HX2, HX26, HX26/A, LH, LHB1, LHB3, LHC, LHE, LHQ4, LHQ4/A, LHW, LJ, LJG, LJS, LKE, LKE/A, LP, LSX, LT, LWD1, LX, LXE, LXE2, LXE2/A, LXE4, LXE4/A, LXE6, LXE8, LXE8/A, LXQ4, LXQ4/A, LXU, LXU/A, LXZ, LX2, LX2/A, LX26, LX26/A, L1, PKT2, PKT2/A, PKT4, PKT4/A, PKX2, PKX4, PKX4/A, PX, PXA2, PXE8, PXE8/A, P1, QA, QAB2, QAB2/A, QAC2, QAC2/A, QAE, QAE2, QAE2/A, QAE6, QAE6/A, QAG, QAG/A, QAH2, QAH2/A, QAP, QAPE, QAP2, QAP2/A, QAQ, QA2, QA2/A, QA26, QA26/A, QDW9, QDW9/A, QE, QE/A, QH, QHB3, QHC, QHE, QHE/A, QHP1, QHQ4, QHQ4/A, QH2, QKA4, QKA4/A, QL2, QMEO, QMEO/A, QME8, QME8/A, QMH, QMT2, QMT2/A, QMX2, QNE, QNE2, QNE2/A, QNE6, QNE9, QNE9/A, QNR2, QNR2/A, QNR6, QNR6/A, QN18, QP, QPE2, QTC2, QTC2/A, QWH2, QWH2/A, QX, QXB, QXB/A, QXB7, QXB7/A, QXC, QXC4, QXC4/A, QXC6, QXC6/A, QXC9, QXC9/A, QXE, QXEB, QXE2, QXE4, QXE4/A, QXE6, QXE6/A, QXE8, QXE8/A, QXQ4, QXQ4/A, QXU, QXU/A, QX2, Q1, SDE, SE, SE/A, SH, SHB1, SHB3, SHB3/A, SHE, SHEZ, SHQ4, SHQ4/A, SHT, SJ, SJG, SKE, SKZ, SMEO, SMEO/A, SME2, SMX2, SMX2/A, STJ, STP, STQ, STR, SWX, SWX/A, SX, SXB, SXB/A, SXB7, SXB7/A, SXE, SXEB, SXEB/A, SXE2, SXE4, SXE4/A, SXE8, SXE8/A, SXP, SXQ4, SXQ4/A, SXU, SXU/A, S1, VA, VAA, VAAE, VAD2, VAD2/A, VAH1, VAH2, VAW1, VA2, VA2/A, VC2, VC2/A, VDE, VDE2, VDE2/A, VD16, VE, VEB6, VH, VHE, VH12, VH12/A, VH22, VH22/A, VMT, VMX, VNG, VNG1, VNG2, VSH7, VTE2, VWA, VWA2, VWC, VWC2, VWC2/A, VWE, VWE2, VWE2/A, VWS2, VWS2/A, VW12, VW12/A, VX, VXA, VXB, VXB/A, VXB2, VXB7, VXB7/A, VXE, VXE8, VXE2, VXE2/A, VXE4, VXE6, VXE7, VXE7/A, VXE8, VXE8/A, VXG, VXQ4, VXQ4/A, VXU, VXU1, VX16, VX16/A, VX8, VX8/A, V1, YJ, ZK1, ZK1/A |

| Ref. No. | Part No. | Description | Reqd. QTY | | | Serial No. | Parts catalogue code |
|----------|---------------|---------------|-----------|-----|-----|------------|--|
| | | | (1) | (2) | (3) | | |
| (2) | 13102-ZE3-W00 | PISTON (0.25) | (1) | (1) | - | 4099047 | EDK,EDN5/A,EDS1/A,EDS4,EDT1/A,ED8/A,ED9/A,EMT/A,ES1/A,ES3/A,ES4/A LH/A,LHB3/A,LHB5,LHE/A,LJ/A,LJG/A,LJS/A,LJS1,LT/A,LWD,LWD1/A,LX/A LXE/A,L1/A,PX/A,P1/A,QH/A,QHB3/A,QHB5,QHP1/A,QMH/A,QP/A,QX/A QXC/A,QXE/A,Q1/A,SH/A,SJ/A,SJG/A,SKE/A,SKZ/A,STJ/A,STP/A,STQ/A STR/A,SX/A,SXE/A,S1/A,VMQ,VMT/A,VS3,VS4,VS5,VS6,VX/A,VXE/A,VXEB/A VXK,VXU/A,VXU1/A |
| | 13102-ZE3-810 | | (1) | - | - | ----- | QT,QT/A |
| | 13103-ZE3-W00 | PISTON (0.50) | (1) | (1) | - | ----- | BJ,EDE2,EDE2/A,EDN,EDN2,EDN2/A,EDN5,EDS,EDS1,EDS2,EDS2/A,EDS3 EDS5,EDS6,EDS6/A,EDT,EDT/A,EDT1,EDT2,EDT6,EDT6/A,ED6,ED6/A,ED7 ED8,ED9,EMT,EN,ENT,ENT/A,ENT2,EN6,EN6/A,ES,ES1,ES3,ES4,ET,ETS,ETX HA,HAQ,HA2,HA2/A,HH,HX,HX2,HX26,HX26/A,LH,LHB1,LHB3,LHC,LHE,LHQ4 LHQ4/A,LHW,LJ,LJG,LJS,LKE,LKE/A,LP,LSX,LT,LWD1,LX,LXE,LXE2,LXE2/A LXE4,LXE4/A,LXE6,LXE8,LXE8/A,LXQ4,LXQ4/A,LXU,LXU/A,LX2,LX2,LX2/A LX26,LX26/A,L1,PKT2,PKT2/A,PKT4,PKT4/A,PKX2,PKX4,PKX4/A,PX,PXA2 PXEB,PXE8/A,P1,QA,QAB2,QAB2/A,QAC2,QAC2/A,QAQ,QAQ2,QAQ2/A,QAQ2 QAQ2/A,QAQ,QAQ/A,QAQ2,QAQ2/A,QAP,QAPE,QAP2,QAP2/A,QAQ,QA2,QA2/A QA26,QA26/A,QDW9,QDW9/A,QE,QE/A,QH,QHB3,QHC,QHE,QHE/A,QHP1,QHQ4 QHQ4/A,QH2,QAQ4,QAQ4/A,QL2,QMEO,QMEO/A,QME8,QME8/A,QMH,QMT2 QMT2/A,QMX2,QNE,QNE2,QNE2/A,QNE6,QNE9,QNE9/A,QNR2,QNR2/A,QNR6 QNR6/A,QN18,QP,QPE2,QTC2,QTC2/A,QWH2,QWH2/A,QX,QXB,QXB/A,QXB7 QXB7/A,QXC,QXC4,QXC4/A,QXC6,QXC6/A,QXC9,QXC9/A,QXE,QXEB,QXE2,QXE4 QXE4/A,QXE6,QXE6/A,QXE8,QXE8/A,QXQ4,QXQ4/A,QXU,QXU/A,QX2,Q1,SDE SE,SE/A,SH,SHB1,SHB3,SHB3/A,SHE,SHEZ,SHQ4,SHQ4/A,SHT,SJ,SJG,SKE SKZ,SME0,SME0/A,SME2,SMX2,SMX2/A,STJ,STP,STQ,STR,SWX,SWX/A,SX,SXB SXB/A,SXB7,SXB7/A,SXE,SXEB,SXEB/A,SXE2,SXE4,SXE4/A,SXE8,SXE8/A SXP,SXQ4,SXQ4/A,SXU,SXU/A,S1,VA,VAA,VAE,VAD2,VAD2/A,VAH1,VAH2 VAW1,VA2,VA2/A,VC2,VC2/A,VDE,VDE2,VDE2/A,VD16,VE,VEB6,VH,VHE,VH12 VH12/A,VH22,VH22/A,VMT,VMX,VNG,VNG1,VNG2,VSH7,VTE2,VWA,VWA2,VWC VWC2,VWC2/A,VWE,VWE2,VWE2/A,VWS2,VWS2/A,VW12,VW12/A,VX,VXA,VXB VXB/A,VXB2,VXB7,VXB7/A,VXE,VXEB,VXE2,VXE2/A,VXE4,VXE6,VXE7,VXE7/A VXE8,VXE8/A,VXG,VXQ4,VXQ4/A,VXU,VXU1,VX16,VX16/A,VX8,VX8/A,V1,YJ ZK1,ZK1/A |
| | 13103-ZE3-810 | | (1) | - | - | ----- | QT,QT/A |





ZK30-E0800A

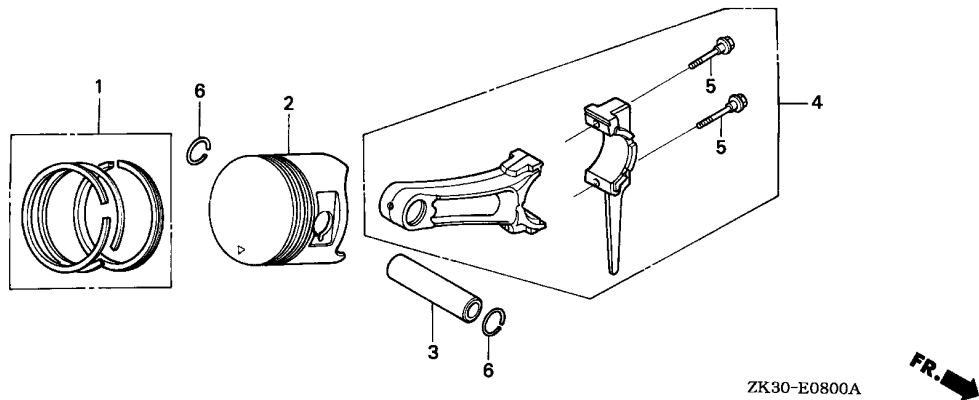


2

| Ref. No. | Part No. | Description | Reqd. QTY | | | Serial No. | Parts catalogue code |
|----------|---------------|---------------|-----------|-------|-----|------------|---|
| | | | GX | 340K1 | | | |
| | | | (1) | (2) | (3) | | |
| (2) | 13104-ZE3-W00 | PISTON (0.75) | (1) | (1) | - | ----- | BJ, EDE2, EDE2/A, EDN, EDN2, EDN2/A, EDN5, EDS, EDS1, EDS2, EDS2/A, EDS3, EDS5, EDS6, EDS6/A, EDT, EDT/A, EDT1, EDT2, EDT6, EDT6/A, ED6, ED6/A, ED7, ED8, ED9, EMT, EN, ENT, ENT/A, ENT2, EN6, EN6/A, ES, ES1, ES3, ES4, ET, ETS, ETX, HA, HAQ, HA2, HA2/A, HH, HX, HX2, HX26, HX26/A, LH, LHB1, LHB3, LHC, LHE, LHQ4, LHQ4/A, LHW, LJ, LJG, LJS, LKE, LKE/A, LP, LSX, LT, LWD1, LX, LXE, LXE2, LXE2/A, LXE4, LXE4/A, LXE6, LXE8, LXE8/A, LXQ4, LXQ4/A, LXU, LXU/A, LXZ, LX2, LX2/A, LX26, LX26/A, L1, PKT2, PKT2/A, PKT4, PKT4/A, PKX2, PKX4, PKX4/A, PX, PXA2, PXE8, PXE8/A, P1, QA, QAB2, QAB2/A, QAC2, QAC2/A, QAE, QAE2, QAE2/A, QAE6, QAE6/A, QAG, QAG/A, QAH2, QAH2/A, QAP, QAPE, QAP2, QAP2/A, QAQ, QA2, QA2/A, QA26, QA26/A, QDW9, QDW9/A, QE, QE/A, QH, QHB3, QHC, QHE, QHE/A, QHP1, QHQ4, QHQ4/A, QH2, QKA4, QKA4/A, QL2, QMEO, QMEO/A, QME8, QME8/A, QMH, QMT2, QMT2/A, QMX2, QNE, QNE2, QNE2/A, QNE6, QNE9, QNE9/A, QNR2, QNR2/A, QNR6, QNR6/A, QN18, QP, QPE2, QTC2, QTC2/A, QWH2, QWH2/A, QX, QXB, QXB/A, QXB7, QXB7/A, QXC, QXC4, QXC4/A, QXC6, QXC6/A, QXC9, QXC9/A, QXE, QXEB, QXE2, QXE4, QXE4/A, QXE6, QXE6/A, QXE8, QXE8/A, QXQ4, QXQ4/A, QXU, QXU/A, QX2, Q1, SDE, SE, SE/A, SH, SHB1, SHB3, SHB3/A, SHE, SHEZ, SHQ4, SHQ4/A, SHT, SJ, SJG, SKE, SKZ, SMEO, SMEO/A, SME2, SMX2, SMX2/A, STJ, STP, STQ, STR, SWX, SWX/A, SX, SXB, SXB/A, SXB7, SXB7/A, SXE, SXEB, SXEB/A, SXE2, SXE4, SXE4/A, SXE8, SXE8/A, SXP, SXQ4, SXQ4/A, SXU, SXU/A, S1, VA, VAA, VAAE, VAD2, VAD2/A, VAH1, VAH2, VAW1, VA2, VA2/A, VC2, VC2/A, VDE, VDE2, VDE2/A, VD16, VE, VEB6, VH, VHE, VH12, VH12/A, VH22, VH22/A, VMT, VMX, VNG, VNG1, VNG2, VSH7, VTE2, VWA, VWA2, VWC, VWC2, VWC2/A, VWE, VWE2, VWE2/A, VWS2, VWS2/A, VW12, VW12/A, VX, VXA, VXB, VXB/A, VXB2, VXB7, VXB7/A, VXE, VXE8, VXE2, VXE2/A, VXE4, VXE6, VXE7, VXE7/A, VXE8, VXE8/A, VXG, VXQ4, VXQ4/A, VXU, VXU1, VX16, VX16/A, VX8, VX8/A, V1, YJ, ZK1, ZK1/A |

| Ref. No. | Part No. | Description | Reqd. QTY | | | Serial No. | Parts catalogue code |
|----------|---------------|------------------------------|-----------|-----|-----|------------|--|
| | | | (1) | (2) | (3) | | |
| (2) | 13104-ZE3-W00 | PISTON (0.75) | (1) | (1) | - | 4099047 | EDK,EDN5/A,EDS1/A,EDS4,EDT1/A,ED8/A,ED9/A,EMT/A,ES1/A,ES3/A,ES4/A LH/A,LHB3/A,LHB5,LHE/A,LJ/A,LJG/A,LJS/A,LJS1,LT/A,LWD,LWD1/A,LX/A LXE/A,L1/A,PX/A,P1/A,QH/A,QHB3/A,QHB5,QHP1/A,QMH/A,QP/A,QX/A QXC/A,QXE/A,Q1/A,SH/A,SJ/A,SJG/A,SKE/A,SKZ/A,STJ/A,STP/A,STQ/A STR/A,SX/A,SXE/A,S1/A,VMQ,VMT/A,VS3,VS4,VS5,VS6,VX/A,VXE/A,VXEB/A VXK,VXU/A,VXU1/A |
| | | | - | - | (1) | | QT,QT/A |
| | 13104-ZE3-810 | | (1) | - | - | | |
| | 13101-ZE3-W01 | PISTON (STD.) | 1 | 1 | - | 4099048 | EDK,EDN5/A,EDS1/A,EDS4,EDT1/A,ED8/A,ED9/A,EMT/A,ES1/A,ES3/A,ES4/A LH/A,LHB3/A,LHB5,LHE/A,LJ/A,LJG/A,LJS/A,LJS1,LT/A,LWD,LWD1/A,LX/A LXE/A,L1/A,PX/A,P1/A,QH/A,QHB3/A,QHB5,QHP1/A,QMH/A,QP/A,QX/A QXC/A,QXE/A,Q1/A,SH/A,SJ/A,SJG/A,SKE/A,SKZ/A,STJ/A,STP/A,STQ/A STR/A,SX/A,SXE/A,S1/A,VMQ,VMT/A,VS3,VS4,VS5,VS6,VX/A,VXE/A,VXEB/A VXK,VXU/A,VXU1/A |
| | | | 1 | - | - | | EDT3,ES2,VS2,VS7 |
| | 13102-ZE3-W01 | PISTON (0.25) | (1) | (1) | - | 4099048 | EDK,EDN5/A,EDS1/A,EDS4,EDT1/A,ED8/A,ED9/A,EMT/A,ES1/A,ES3/A,ES4/A LH/A,LHB3/A,LHB5,LHE/A,LJ/A,LJG/A,LJS/A,LJS1,LT/A,LWD,LWD1/A,LX/A LXE/A,L1/A,PX/A,P1/A,QH/A,QHB3/A,QHB5,QHP1/A,QMH/A,QP/A,QX/A QXC/A,QXE/A,Q1/A,SH/A,SJ/A,SJG/A,SKE/A,SKZ/A,STJ/A,STP/A,STQ/A STR/A,SX/A,SXE/A,S1/A,VMQ,VMT/A,VS3,VS4,VS5,VS6,VX/A,VXE/A,VXEB/A VXK,VXU/A,VXU1/A |
| | | | (1) | - | - | | EDT3,ES2,VS2,VS7 |
| | 13103-ZE3-W01 | PISTON (0.50) | (1) | (1) | - | 4099048 | EDK,EDN5/A,EDS1/A,EDS4,EDT1/A,ED8/A,ED9/A,EMT/A,ES1/A,ES3/A,ES4/A LH/A,LHB3/A,LHB5,LHE/A,LJ/A,LJG/A,LJS/A,LJS1,LT/A,LWD,LWD1/A,LX/A LXE/A,L1/A,PX/A,P1/A,QH/A,QHB3/A,QHB5,QHP1/A,QMH/A,QP/A,QX/A QXC/A,QXE/A,Q1/A,SH/A,SJ/A,SJG/A,SKE/A,SKZ/A,STJ/A,STP/A,STQ/A STR/A,SX/A,SXE/A,S1/A,VMQ,VMT/A,VS3,VS4,VS5,VS6,VX/A,VXE/A,VXEB/A VXK,VXU/A,VXU1/A |
| | | | (1) | - | - | | EDT3,ES2,VS2,VS7 |
| | 13104-ZE3-W01 | PISTON (0.75) | (1) | (1) | - | 4099048 | EDK,EDN5/A,EDS1/A,EDS4,EDT1/A,ED8/A,ED9/A,EMT/A,ES1/A,ES3/A,ES4/A LH/A,LHB3/A,LHB5,LHE/A,LJ/A,LJG/A,LJS/A,LJS1,LT/A,LWD,LWD1/A,LX/A LXE/A,L1/A,PX/A,P1/A,QH/A,QHB3/A,QHB5,QHP1/A,QMH/A,QP/A,QX/A QXC/A,QXE/A,Q1/A,SH/A,SJ/A,SJG/A,SKE/A,SKZ/A,STJ/A,STP/A,STQ/A STR/A,SX/A,SXE/A,S1/A,VMQ,VMT/A,VS3,VS4,VS5,VS6,VX/A,VXE/A,VXEB/A VXK,VXU/A,VXU1/A |
| | | | (1) | - | - | | EDT3,ES2,VS2,VS7 |
| 3 | 13111-ZF6-000 | PIN, PISTON | 1 | 1 | 1 | | |
| 4 | 13200-ZE3-010 | ROD ASSY., CONNECTING (STD.) | 1 | 1 | - | | BJ,EDN,EDS,EDS3,EDS5,EDT2,ED7,EN,ES,ET,ETS,ETX,HA,HAQ,HH,HX,HX2 LHB1,LHC,LHW,LP,LSX,LXE6,LXZ,QA,QAE,QAP,QAPE,QAQ,QHC,QH2,QL2,QMX2 QNE,QNE6,QN18,QPE2,QXEB,QXE2,QX2,SDE,SHB1,SHE,SHE2,SHT,SME2,SXE2 SXP,VA,VAA,VAE,VAH1,VAH2,VAW1,VDE,VD16,VE,VEB6,VH,VHE,VMX,VNG VNG1,VNG2,VTE2,VWA,VWA2,VXA,VXB2,VXE4,VXE6,VXG,V1,YJ |
| | | | 1 | 1 | - | 3413369 | EDE2,EDN2,EDN5,EDS1,EDS2,EDS6,EDT,EDT1,EDT6,ED6,ED8,ED9,ES1,ES3 ES4,HA2,HX26,LH,LHB3,LHE,LHQ4,LJ,LJG,LKE,LT,LWD1,LX,LXE,LXE2,LXE4 LXE8,LXQ4,LXU,LX2,LX26,L1,PKT2,PKT4,PKX4,PX,PXE8,P1,QAB2,QAC2 QAE2,QAE6,QAG,QAQ2,QAP2,QA2,QA26,QDW9,QE,QH,QHB3,QHE,QHP1,QHQ4 QKA4,QME0,QME8,QMH,QMT2,QNE2,QNE9,QNR2,QNR6,QP,QT,QTC2,QWH2,QX QXB,QXC,QXC4,QXC6,QXC9,QXE,QXE4,QXE6,QXE8,QXQ4,QXU,Q1,SE,SH,SHB3 SHQ4,SJ,SJG,SKE,SKZ,SME0,SMX2,STJ,STP,STQ,STR,SWX,SX,SBX,SXE,SXB SXE4,SXE8,SXQ4,SXU,S1,VAD2,VA2,VC2,VDE2,VH12,VH22,VMT,VWC2,VWE2 VWS2,VW12,VX,VXB,VXE,VXEB,VXE2,VXE8,VXQ4,VXU,VXU1,VX16,VX8,ZK1 |
| | | | - | - | 1 | | |

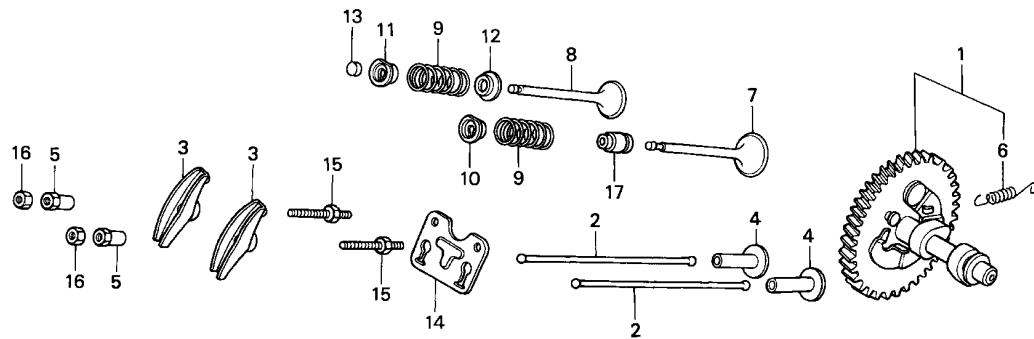




| Ref. No. | Part No. | Description | Reqd. QTY | | | Serial No. | Parts catalogue code | |
|----------|---------------|------------------------------|-----------|-------|-----|------------|--|---|
| | | | GX | 340K1 | | | | |
| | | | (1) | (2) | (3) | | | |
| (4) | 13200-ZE3-020 | ROD ASSY., CONNECTING (STD.) | 1 | 1 | - | ----- | EDE2/A,EDK,EDN2/A,EDN5/A,EDS1/A,EDS2/A,EDS4,EDS6/A,EDT/A,EDT1/A,EDT3,EDT6/A,ED6/A,ED8/A,ED9/A,EMT,EMT/A,ENT,ENT/A,ENT2,EN6,EN6/A,ES1/A,ES2,ES3/A,ES4/A,HA2/A,HX26/A,LH/A,LHB3/A,LHB5,LHE/A,LHQ4/A,LJ/A,LJG/A,LJS,LJS/A,LJS1,LKE/A,LT/A,LWD,LWD1/A,LX/A,LXE/A,LXE2/A,LXE4/A,LXE8/A,LXQ4/A,LXU/A,LX2/A,LX26/A,L1/A,PKT2/A,PKT4/A,PKX2,PKX4/A,PX/A,PXA2,PXE8/A,P1/A,QAB2/A,QAC2/A,QAE2/A,QAE6/A,QAG/A,QA2/A,QAP2/A,QA2/A,QA26/A,QDW9/A,QE/A,QH/A,QHB3/A,QHB5,QHE/A,QHP1/A,QHQ4/A,QKA4/A,QMEO/A,QME8/A,QMH/A,QMT2/A,QNE2/A,QNE9/A,QNR2/A,QNR6/A,QP/A,QT/A,QTC2/A,QWH2/A,QX/A,QXB/A,QXB7,QXB7/A,QXC/A,QXC4/A,QXC6/A,QXC9/A,QXE/A,QXE4/A,QXE6/A,QXE8/A,QXQ4/A,QXU/A,Q1/A,SE/A,SH/A,SHB3/A,SHQ4/A,SJ/A,SJG/A,SKE/A,SKZ/A,SMEO/A,SMX2/A,STJ/A,STP/A,STQ/A,STR/A,SWX/A,SX/A,SXB/A,SXB7,SXB7/A,SXE/A,SXE4/A,SXE8/A,SXQ4/A,SXU/A,S1/A,VAD2/A,VA2/A,VC2/A,VDE2/A,VH12/A,VH22/A,VMQ,VMT/A,VSH7,VS2,VS3,VS4,VS5,VS6,VS7,VVC,VVC2/A,VVE,VVE2/A,VVS2/A,VV12/A,VX/A,VXB/A,VXB7,VXB7/A,VXE/A,VXEB/A,VXE2/A,VXE7,VXE7/A,VXE8/A,VXK,VXQ4/A,VXU/A,VXU1/A,VX16/A,VX8/A,ZK1/A | |
| | | | 1 | 1 | - | 3413370 | ----- | EDE2,EDN2,EDN5,EDS1,EDS2,EDS6,EDT,EDT1,EDT6,ED6,ED8,ED9,ES1,ES3,ES4,HA2,HX26,LH,LHB3,LHE,LHQ4,LJ,LJG,LKE,LT,LWD1,LX,LXE,LXE2,LXE4,LXE8,LXQ4,LXU,LX2,LX26,L1,PKT2,PKT4,PKX4,PX,PXE8,P1,QAB2,QAC2,QAE2,QAE6,QAG,QA2,QAP2,QA2,QA26,QDW9,QE,QH,QHB3,QHE,QHP1,QHQ4,QKA4,QMEO,QME8,QMH,QMT2,QNE2,QNE9,QNR2,QNR6,QP,QT,QTC2,QWH2,QX,QXB,QXC,QXC4,QXC6,QXC9,QXE,QXE4,QXE6,QXE8,QXQ4,QXU,Q1,SE,SH,SHB3,SHQ4,SJ,SJG,SKE,SKZ,SMEO,SMX2,STJ,STP,STQ,STR,SWX,SX,SXB,SXE,SXE4,SXE8,SXQ4,SXU,S1,VAD2,VA2,VC2,VDE2,VH12,VH22,VMT,VVC2,VVE2,VVS2,VV12,VX,VXB,VXE,VXEB,VXE2,VXE8,VXQ4,VXU,VXU1,VX16,VX8,ZK1 |

| Ref. No. | Part No. | Description | Reqd. QTY | | | Serial No. | Parts catalogue code |
|----------|-----------------|--|-----------|-----|-----|------------|--|
| | | | (1) | (2) | (3) | | |
| (4) | 13200-ZE3-315 | ROD ASSY., CONNECTING (0.25 UNDER SIZE) | (1) | - | - | ----- | BJ, EDE2, EDE2/A, EDK, EDN, EDN2, EDN2/A, EDN5, EDN5/A, EDS, EDS1, EDS1/A, EDS2, EDS2/A, EDS3, EDS4, EDS5, EDS6, EDS6/A, EDT, EDT/A, EDT1, EDT1/A, EDT2, EDT3, EDT6, EDT6/A, ED6, ED6/A, ED7, ED8, ED8/A, ED9, ED9/A, EMT, EMT/A, ENT, ENT/A, EN6, EN6/A, ES, ES1, ES1/A, ES2, ES3, ES3/A, ES4, ES4/A, ET, ETS, ETX, HA, HAQ, HA2, HA2/A, HH, HX, HX2, HX26, HX26/A, LH, LH/A, LHB1, LHB3, LHB3/A, LHB5, LHC, LHE, LHE/A, LHQ4, LHQ4/A, LHW, LJ, LJ/A, LJG, LJG/A, LJS, LJS/A, LJS1, LKE, LKE/A, LP, LSX, LT, LT/A, LWD, LWD1, LWD1/A, LX, LX/A, LXE, LXE/A, LXE2, LXE2/A, LXE4, LXE4/A, LXE6, LXE8, LXE8/A, LXQ4, LXQ4/A, LXU, LXU/A, LXZ, LX2, LX2/A, LX26, LX26/A, PKT2, PKT2/A, PKT4, PKT4/A, PKX2, PKX4, PKX4/A, PX, PX/A, PXA2, PXE8, PXE8/A, QA, QAB2, QAB2/A, QAC2, QAC2/A, QAE, QAE2, QAE2/A, QAE6, QAE6/A, QAG, QAG/A, QAH2, QAH2/A, QAP, QAPE, QAP2, QAP2/A, QAQ, QA2, QA2/A, QA26, QA26/A, QDW9, QDW9/A, QE, QE/A, QH, QH/A, QHB3, QHB3/A, QHB5, QHC, QHE, QHE/A, QHP1, QHP1/A, QHQ4, QHQ4/A, QH2, QKA4, QKA4/A, QL2, QME0, QME0/A, QME8, QME8/A, QMH, QMH/A, QMT2, QMT2/A, QMX2, QNE, QNE2, QNE2/A, QNE6, QNE9, QNE9/A, QNR2, QNR2/A, QNR6, QNR6/A, QN18, QP, QP/A, QPE2, QT, QT/A, QTC2, QTC2/A, QWH2, QWH2/A, QX, QX/A, QXB, QXB/A, QXB7, QXB7/A, QXC, QXC/A, QXC4, QXC4/A, QXC6, QXC6/A, QXC9, QXC9/A, QXE, QXE/A, QXEB, QXE2, QXE4, QXE4/A, QXE6, QXE6/A, QXE8, QXE8/A, QXQ4, QXQ4/A, QXU, QXU/A, QX2, SDE, SE, SE/A, SH, SH/A, SHB1, SHB3, SHB3/A, SHE, SHEZ, SHQ4, SHQ4/A, SHT, SJ, SJ/A, SJG, SJG/A, SKE, SKE/A, SKZ, SKZ/A, SME0, SME0/A, SME2, SMX2, SMX2/A, STJ, STJ/A, STP, STP/A, STQ, STQ/A, STR, STR/A, SWX, SWX/A, SX, SX/A, SXB, SXB/A, SXB7, SXB7/A, SXE, SXE/A, SXEB, SXEB/A, SXE2, SXE4, SXE4/A, SXE8, SXE8/A, SXP, SXQ4, SXQ4/A, SXU, SXU/A, VA, VAA, VAAE, VAD2, VAD2/A, VAH1, VAH2, VAW1, VA2, VA2/A, VC2, VC2/A, VDE, VDE2, VDE2/A, VD16, VE, VEB6, VH, VHE, VH12, VH12/A, VH22, VH22/A, VMQ, VMT, VMT/A, VMX, VNG, VNG1, VNG2, VSH7, VS2, VS3, VS4, VS5, VS6, VS7, VTE2, VWA, VWA2, VWC, VWC2, VWC2/A, VWE, VWE2, VWE2/A, VWS2, VWS2/A, VW12, VW12/A, VX, VX/A, VXA, VXB, VXB/A, VXB2, VXB7, VXB7/A, VXE, VXE/A, VXE8, VXE8/A, VXE2, VXE2/A, VXE4, VXE6, VXE7, VXE7/A, VXE8, VXE8/A, VXG, VXX, VXQ4, VXQ4/A, VXU, VXU/A, VXU1, VXU1/A, VX16, VX16/A, VX8, VX8/A, YJ, ZK1, ZK1/A |
| | 5 90001-ZE8-000 | BOLT, CONNECTING ROD | - | (1) | (1) | | |
| | | | 2 | 2 | 2 | | |
| | 6 90601-ZE3-000 | CLIP, PISTON PIN, 20MM | 2 | 2 | 2 | | |



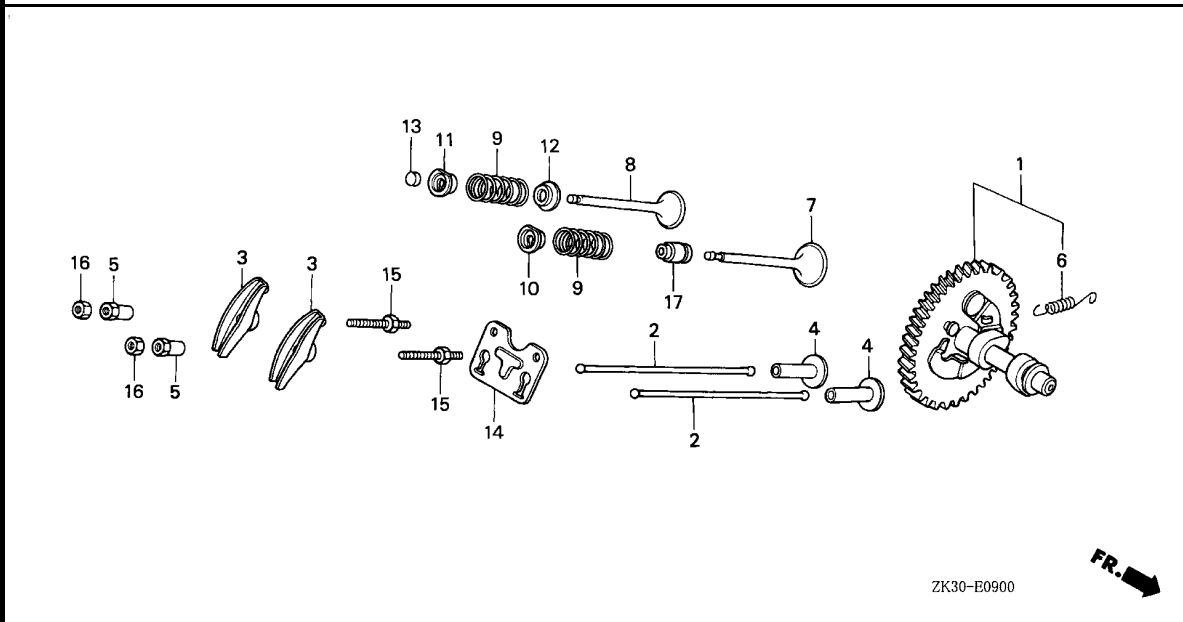


ZK30-E0900



| Ref. No. | L.O.N. | (Relative ref. Number) Description | F.R.T. |
|----------|---------|---|--------|
| 1 | 1111C2 | CAMSHAFTINCLUDES: Valve clearance adjustment | 0.4 |
| 2 | 1111L6 | ROD, PUSH :INTAKEINCLUDES: Valve clearance adjustment | 0.2 |
| | 1111L6A | .Replace exhaust push rod add | 0.1 |
| | 1111L7 | ROD, PUSH :EXHAUSTINCLUDES: Valve clearance adjustment | 0.2 |
| | 1111L7A | .Replace intake push rod add | 0.1 |
| 3 | 1111A2 | ARM, ROCKER :INTAKEINCLUDES: Valve clearance adjustment | 0.2 |
| | 1111A2A | .Replace exhaust rocker arm add | 0.1 |
| | 1111A1 | ARM, ROCKER :EXHAUSTINCLUDES: Valve clearance adjustment | 0.2 |
| | 1111A1A | .Replace intake rocker arm add | 0.1 |
| 4 | 1111L9 | LIFTER, VALVE :INTAKEINCLUDES: Valve clearance adjustment | 0.4 |
| | | .NOTE: Same time for two units | |
| + | 1111M0 | LIFTER, VALVE :EXHAUSTINCLUDES: Valve clearance adjustment | 0.4 |

| Ref. No. | Part No. | Description | Reqd. QTY | | | Serial No. | Parts catalogue code |
|----------|---------------|---------------------|-----------|-------|-----|------------|---|
| | | | GX | 340K1 | | | |
| | | | (1) | (2) | (3) | | |
| 1 | 14100-ZE3-010 | CAMSHAFT ASSY. | 1 | 1 | - | 2708026 | BJ,EDE2,EDN,EDN2,EDN5,EDS,EDS1,EDS2,EDS3,EDS5,EDT1,EDT2,ED6,ED7,ED8,ED9,EN,ES,ES1,ES3,ES4,ET,ETS,ETX,HA,HAQ,HA2,HH,HX,HX2,HX26,LHB1,LHB3,LHC,LHE,LHQ4,LHW,LJ,LJG,LKE,LSX,LX,LXE,LXE2,LXE4,LXE6,LXQ4,LXZ,LX2,LX26,L1,PKT2,PX,P1,QA,QAE,QAE2,QAE6,QA2,QAP,QAPE,QAP2,QAQ,QA2,QA26,QDW9,QE,QH,QHB3,QHC,QHE,QHP1,QHQ4,QH2,QMEO,QMH,QMT2,QNE,QNE2,QNE6,QNE9,QNR2,QNR6,QN18,QP,QPE2,QT,QTC2,QX,QXB,QXC,QXC4,QXC6,QXC9,QXE,QXEB,QXE2,QXE4,QXE6,QXQ4,QX2,Q1,SDE,SE,SH,SHB1,SHB3,SHE,SHEZ,SHQ4,SHT,SJ,SJG,SKZ,SME0,SME2,SMX2,STJ,STP,STQ,STR,SWX,SX,SXB,SXE,SXEB,SXE2,SXE4,SXP,SXQ4,S1,VA,VAA,VAE,VAD2,VAH1,VAH2,VAW1,VA2,VDE,VDE2,VD16,VE,VEB6,VH,VHE,VH12,VH22,VMX,VNG,VNG1,VNG2,VTE2,VWA,VWA2,VWC2,VWE2,VWS2,VW12,VX,VXA,VXB,VXB2,VXE,VXEB,VXE2,VXE4,VXE6,VXG,VXQ4,VXU,VXU1,VX16,V1,YJ,ZK1 |
| | 14100-ZF6-L01 | | 1 | - | - | 2708726 | LP |
| | 14100-ZF6-L02 | | 1 | - | - | 2708727 | LP |

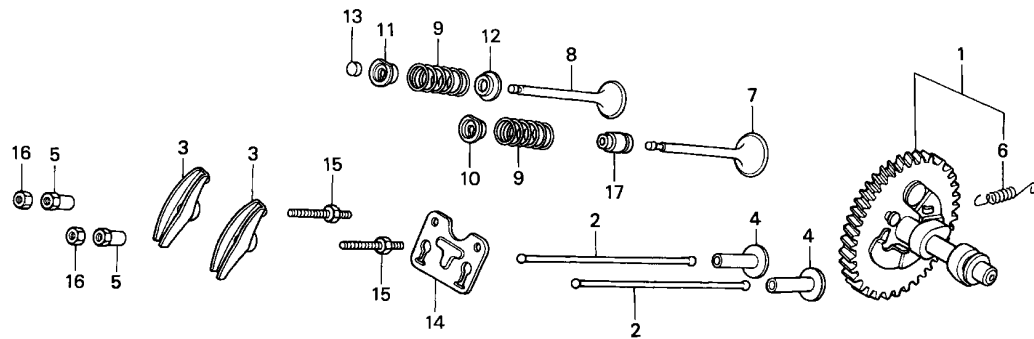


ZK30-E0900

| Ref. No. | L.O.N. | (Relative ref. Number) Description | F.R.T. |
|----------|---------|---|--------|
| + 4 | | .INCLUDES: Valve clearance adjustment .NOTE: Same time for two units | |
| 7 | 1111L1 | VALVE, INTAKE | 0.7 |
| | 1111L1E | .INCLUDES: Valve clearance adjustment and reface .Replace intake and exhaust all add | 0.2 |
| 8 | 1111L0 | VALVE, EXHAUST | 0.7 |
| | 1111L0E | .INCLUDES: Valve clearance adjustment and reface .Replace intake and exhaust all add | 0.2 |
| 9 | 1111P3 | SPRING, VALVE :INTAKE | 0.6 |
| | 1111P3A | .INCLUDES: Valve clearance adjustment .Replace intake and exhaust all add | 0.1 |
| | 1111P4 | SPRING, VALVE :EXHAUST | 0.6 |
| | 1111P4A | .INCLUDES: Valve clearance adjustment .Replace intake and exhaust all add | 0.1 |
| +13 | 1111J7 | ROTATOR, VALVE | 0.2 |

| Ref. No. | Part No. | Description | Reqd. QTY GX 340K1 (1) (2) (3) | Serial No. | Parts catalogue code |
|----------|---------------|---------------------|---|------------|---|
| (1) | 14100-ZE3-020 | CAMSHAFT ASSY. | 1 1 - | ----- | EDE2/A,EDK,EDN2/A,EDN5/A,EDS1/A,EDS2/A,EDS4,EDS6,EDS6/A,EDT,EDT/A,EDT1/A,EDT3,EDT6,EDT6/A,ED6/A,ED8/A,ED9/A,EMT,EMT/A,ENT,ENT/A,ENT2,EN6,EN6/A,ES1/A,ES2,ES3/A,ES4/A,HA2/A,HX26/A,LH/A,LHB3/A,LHB5,LHE/A,LHQ4/A,LJ/A,LJG/A,LJS,LJS/A,LJS1,LKE/A,LT,LT/A,LWD,LWD1,LWD1/A,LX/A,LXE/A,LXE2/A,LXE4/A,LXE8,LXE8/A,LXQ4/A,LXU,LXU/A,LX2/A,LX26/A,L1/A,PKT2/A,PKT4,PKT4/A,PKX2,PKX4,PKX4/A,PX/A,PXA2,PXE8,PXE8/A,P1/A,QAB2,QAB2/A,QAC2,QAC2/A,QAE2/A,QAE6/A,QAG,QAG/A,QA2/A,QAP2/A,QA2/A,QA26/A,QDW9/A,QE/A,QH/A,QHB3/A,QHB5,QHE/A,QHP1/A,QHQ4/A,QKA4,QKA4/A,QL2,QME0/A,QME8,QME8/A,QMH/A,QMT2/A,QMX2,QNE2/A,QNE9/A,QNR2/A,QNR6/A,QP/A,QT/A,QTC2/A,QWH2,QWH2/A,QX/A,QXB/A,QXC/A,QXC4/A,QXC6/A,QXC9/A,QXE/A,QXE4/A,QXE6/A,QXE8,QXE8/A,QXQ4/A,QXU,QXU/A,Q1/A,SE/A,SH/A,SHB3/A,SHQ4/A,SJ/A,SJG/A,SKE,SKE/A,SKZ/A,SME0/A,SMX2/A,STJ/A,STP/A,STQ/A,STR/A,SWX/A,SX/A,SXB/A,SXE/A,SXEB/A,SXE4/A,SXE8,SXE8/A,SXQ4/A,SXU,SXU/A,S1/A,VAD2/A,VA2/A,VC2,VC2/A,VDE2/A,VH12/A,VH22/A,VMQ,VMT,VMT/A,VS2,VS3,VS4,VS5,VS6,VS7,VWC,VWC2/A,VWE,VWE2/A,VWS2/A,VW12/A,VX/A,VXB/A,VXE/A,VXEB/A,VXE2/A,VXE8,VXE8/A,VXK,VXQ4/A,VXU/A,VXU1/A,VX16/A,VX8,VX8/A,ZK1/A |





ZK30-E0900

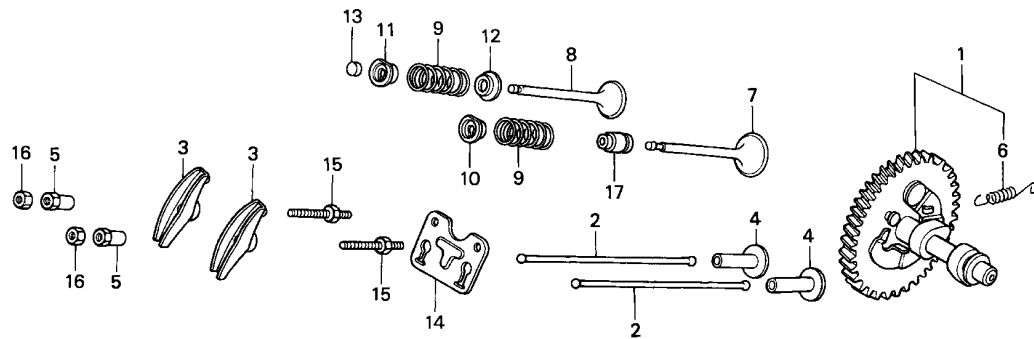


| Ref. No. | L.O.N. | (Relative ref. Number) Description | F.R.T. |
|----------|--------|---------------------------------------|--------|
| +13 | | .INCLUDES: Valve clearance adjustment | |
| 17 | 1111K2 | SEAL, INTAKE VALVE STEM | 0.6 |

| Ref. No. | Part No. | Description | Reqd. QTY | | | Serial No. | Parts catalogue code |
|----------|---------------|-------------------------|-----------|-------|-----|---------------|--|
| | | | GX | 340K1 | | | |
| | | | (1) | (2) | (3) | | |
| (1) | 14100-ZE3-020 | CAMSHAFT ASSY. | 1 | 1 | - | 2708027 ----- | BJ,EDE2,EDN,EDN2,EDN5,EDS,EDS1,EDS2,EDS3,EDS5,EDT1,EDT2,ED6,ED7,ED8,ED9,EN,ES,ES1,ES3,ES4,ET,ETS,ETX,HA,HAQ,HA2,HH,HX,HX2,HX26,LH,LHB1,LHB3,LHC,LHE,LHQ4,LHW,LJ,LJG,LKE,LSX,LX,LXE,LXE2,LXE4,LXE6,LXQ4,LXZ,LX2,LX26,L1,PKT2,PX,P1,QA,QAE,QAE2,QAE6,QA2,QAP,QAPE,QAP2,QAQ,QA2,QA26,QDW9,QE,QH,QHB3,QHC,QHE,QHP1,QHQ4,QH2,QMEO,QMH,QMT2,QNE,QNE2,QNE6,QNE9,QNR2,QNR6,QN18,QP,QPE2,QT,QTC2,QX,QXB,QXC,QXC4,QXC6,QXC9,QXE,QXEB,QXE2,QXE4,QXE6,QXQ4,QX2,Q1,SDE,SE,SH,SHB1,SHB3,SHE,SHEZ,SHQ4,SHT,SJ,SJG,SKZ,SME0,SME2,SMX2,STJ,STP,STQ,STR,SWX,SX,SXB,SXE,SXEB,SXE2,SXE4,SXP,SXQ4,S1,VA,VAA,VAE,VAD2,VAH1,VAH2,VAW1,VA2,VDE,VDE2,VD16,VE,VEB6,VH,VHE,VH12,VH22,VMX,VNG,VNG1,VNG2,VTE2,VWA,VWA2,VWC2,VWE2,VWS2,VW12,VX,VXA,VXB,VXB2,VXE,VXEB,VXE2,VXE4,VXE6,VXG,VXQ4,VXU,VXU1,VX16,V1,YJ,ZK1 |
| | 14100-ZK3-870 | | - | - | 1 | ----- | QXB7,QXB7/A,SXB7,SXB7/A,VSH7,VXB7,VXB7/A,VXE7,VXE7/A |
| 2 | 14410-ZE3-013 | ROD, PUSH | 2 | 2 | 2 | | |
| 3 | 14431-ZE2-010 | ARM, VALVE ROCKER | 2 | 2 | 2 | | |
| 4 | 14441-ZE2-000 | LIFTER, VALVE | 2 | 2 | 2 | | |
| 5 | 14451-ZE1-013 | PIVOT, ROCKER ARM | 2 | 2 | 2 | | |

| Ref. No. | Part No. | Description | Reqd. QTY | | | Serial No. | Parts catalogue code |
|----------|---------------|-------------------------------|-----------|-----|-----|------------|---|
| | | | (1) | (2) | (3) | | |
| 6 | 14568-ZE1-000 | SPRING, WEIGHT RETURN | 1 | - | - | ----- | BJ,EDE2,EDE2/A,EDK,EDN,EDN2,EDN2/A,EDN5,EDN5/A,EDS,EDS1,EDS1/A,EDS2,EDS2/A,EDS3,EDS4,EDS5,EDS6,EDS6/A,EDT,EDT1/A,EDT1,EDT1/A,EDT2,EDT3,EDT6,EDT6/A,ED6,ED6/A,ED7,ED8,ED8/A,ED9,ED9/A,EMT,EMT/A,ENT,ENT/A,ENT2,EN6,EN6/A,ES,ES1,ES1/A,ES2,ES3,ES3/A,ES4,ES4/A,ETS,ETX,HA,HAQ,HA2,HA2/A,HH,HX,HX2,HX26,HX26/A,LH,LH/A,LHB1,LHB3,LHB3/A,LHB5,LHC,LHE,LHE/A,LHQ4,LHQ4/A,LHW,LJ,LJ/A,LJG,LJG/A,LJS,LJS/A,LJS1,LKE,LKE/A,LSX,LT,LT/A,LWD,LWD1,LWD1/A,LX,LX/A,LXE,LXE/A,LXE2,LXE2/A,LXE4,LXE4/A,LXE6,LXE8,LXE8/A,LXQ4,LXQ4/A,LXU,LXU/A,LXZ,LX2,LX2/A,LX26,LX26/A,PKT2,PKT2/A,PKT4,PKT4/A,PKX2,PKX4,PKX4/A,PX,PX/A,PXA2,PXE8,PXE8/A,QA,QAB2,QAB2/A,QAC2,QAC2/A,QAE,QAE2,QAE2/A,QAE6,QAE6/A,QAG,QAG/A,QA2,QA2/A,QAH2,QAH2/A,QAP,QAPE,QAP2,QAP2/A,QAQ,QA2,QA2/A,QA26,QA26/A,QDW9,QDW9/A,QE,QE/A,QH,QH/A,QHB3,QHB3/A,QHB5,QHC,QHE,QHE/A,QHP1,QHP1/A,QHQ4,QHQ4/A,QH2,QKA4,QKA4/A,QL2,QMEO,QMEO/A,QME8,QME8/A,QMH,QMH/A,QMT2,QMT2/A,QMX2,QNE,QNE2,QNE2/A,QNE6,QNE9,QNE9/A,QNR2,QNR2/A,QNR6,QNR6/A,QN18,QP,QP/A,QPE2,QT,QT/A,QTC2,QTC2/A,QWH2,QWH2/A,QX,QX/A,QXB,QXB/A,QXB7,QXB7/A,QXC,QXC/A,QXC4,QXC4/A,QXC6,QXC6/A,QXC9,QXC9/A,QXE,QXE/A,QXEB,QXE2,QXE4,QXE4/A,QXE6,QXE6/A,QXE8,QXE8/A,QXQ4,QXQ4/A,QXU,QXU/A,QX2,SDE,SE,SE/A,SH,SH/A,SHB1,SHB3,SHB3/A,SHE,SHEZ,SHQ4,SHQ4/A,SHT,SJ,SJ/A,SJG,SJG/A,SKE,SKE/A,SKZ,SKZ/A,SMEO,SMEO/A,SM2,SM2,SMX2,SMX2/A,STJ,STJ/A,STP,STP/A,STQ,STQ/A,STR,STR/A,SWX,SWX/A,SX,SX/A,SXB,SXB/A,SXB7,SXB7/A,SXE,SXE/A,SXEB,SXEB/A,SXE2,SXE4,SXE4/A,SXE8,SXE8/A,SXP,SXQ4,SXQ4/A,SXU,SXU/A,VA,VAA,VAAE,VAD2,VAD2/A,VAH1,VAH2,VAW1,VA2,VA2/A,VC2,VC2/A,VDE,VDE2,VDE2/A,VD16,VE,VEB6,VH,VHE,VH12,VH12/A,VH22,VH22/A,VMQ,VMT,VMT/A,VMX,VNG,VNG1,VNG2,VSH7,VS2,VS3,VS4,VS5,VS6,VS7,VTE2,VWA,VWA2,VWC,VWC2,VWC2/A,VWE,VWE2,VWE2/A,VWS2,VWS2/A,VW12,VW12/A,VX,VX/A,VXA,VXB,VXB/A,VXB2,VXB7,VXB7/A,VXE,VXE/A,VXEB,VXEB/A,VXE2,VXE2/A,VXE4,VXE6,VXE7,VXE7/A,VXE8,VXE8/A,VXG,VXK,VXQ4,VXQ4/A,VXU,VXU/A,VXU1,VXU1/A,VX16,VX16/A,VX8,VX8/A,YJ,ZK1,ZK1/A |
| | 14568-ZE3-790 | | - | 1 | 1 | | |
| 7 | 14711-ZE3-000 | VALVE, IN. | 1 | 1 | - | ----- | LP |
| | 14711-ZE9-900 | VALVE, IN. (STELLITE) | - | - | 1 | | |
| 8 | 14721-ZE3-000 | VALVE, EX. | 1 | (1) | - | | |
| | 14721-ZE3-810 | VALVE, EX. (STELLITE) | - | (1) | - | | |
| | 14721-ZE9-900 | | - | - | 1 | | |
| 9 | 14751-ZE2-003 | SPRING, VALVE | 2 | 2 | 2 | | |
| 10 | 14771-ZE2-000 | RETAINER, IN. VALVE SPRING .. | 1 | 1 | 1 | | |
| 11 | 14773-ZE2-000 | RETAINER, EX. VALVE SPRING .. | 1 | 1 | 1 | | |
| 12 | 14775-ZE2-010 | SEAT, VALVE SPRING | 1 | 1 | 1 | | |
| 13 | 14781-ZE2-000 | ROTATOR, VALVE | 1 | 1 | - | | |
| 14 | 14791-ZE2-010 | PLATE, PUSH ROD GUIDE | 1 | 1 | 1 | | |
| 15 | 90012-ZE0-010 | BOLT, PIVOT, 8MM | 2 | 2 | 2 | | |
| 16 | 90206-ZE1-000 | NUT, PIVOT ADJUSTING | 2 | 2 | 2 | | |

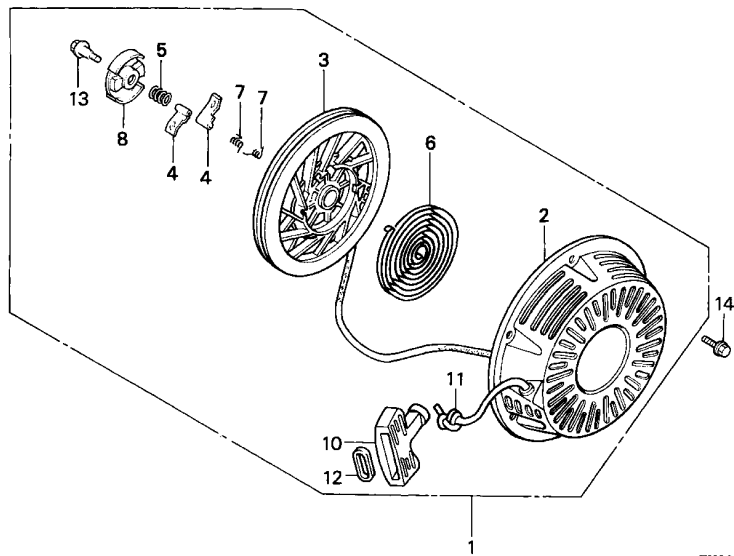




ZK30-E0900



| Ref. No. | Part No. | Description | Reqd. QTY | | | Serial No. | Parts catalogue code |
|----------|---------------|------------------------|-----------|-----|-----|---------------|--|
| | | | (1) | (2) | (3) | | |
| 17 | 12209-ZE8-003 | SEAL, VALVE STEM | 1 | 1 | - | ----- | EDE2/A, EDK, EDN2/A, EDN5/A, EDS1/A, EDS2/A, EDS4, EDS6/A, EDT/A, EDT1/A, EDT3, EDT6/A, ED6/A, ED8/A, ED9/A, EMT, EMT/A, ENT, ENT/A, ENT2, EN6, EN6/A, ES1/A, ES2, ES3/A, ES4/A, HA2/A, HX26/A, LH/A, LHB3/A, LHB5, LHE/A, LHQ4/A, LJ/A, LJG/A, LJS, LJS/A, LJS1, LKE/A, LT/A, LWD, LWD1/A, LX/A, LXE/A, LXE2/A, LXE4/A, LXE8/A, LXQ4/A, LXU/A, LX2/A, LX26/A, L1/A, PKT2/A, PKT4/A, PKX2, PKX4/A, PX/A, PXA2, PXE8/A, P1/A, QAB2/A, QAC2/A, QAE2/A, QAE6/A, QAG, QAG/A, QAH2/A, QAP2/A, QA2/A, QA26/A, QDW9/A, QE/A, QH/A, QHB3/A, QHB5, QHE/A, QHP1/A, QHQ4/A, QKA4/A, QMEO/A, QME8/A, QMH/A, QMT2/A, QNE2/A, QNE9/A, QNR2/A, QNR6/A, QP/A, QT/A, QTC2/A, QWH2, QWH2/A, QX/A, QXB/A, QXB7, QXB7/A, QXC/A, QXC4/A, QXC6/A, QXC9/A, QXE/A, QXE4/A, QXE6/A, QXE8/A, QXQ4/A, QXU/A, Q1/A, SE/A, SH/A, SHB3/A, SHQ4/A, SJ/A, SJG/A, SKE/A, SKZ/A, SMEO/A, SMX2/A, STJ/A, STP/A, STQ/A, STR/A, SWX/A, SX/A, SXB/A, SXB7, SXB7/A, SXE/A, SXEB/A, SXE4/A, SXE8/A, SXQ4/A, SXU/A, S1/A, VAD2/A, VA2/A, VC2, VC2/A, VDE2/A, VH12/A, VH22/A, VMQ, VMT/A, VSH7, VS2, VS3, VS4, VS5, VS6, VS7, VWC, VWC2/A, VWE, VWE2/A, VWS2/A, VW12/A, VX/A, VXB/A, VXB7, VXB7/A, VXE/A, VXEB/A, VXE2/A, VXE7, VXE7/A, VXE8/A, VXX, VXQ4/A, VXU/A, VXU1/A, VX16/A, VX8/A, ZK1/A |
| | | | 1 | 1 | - | 3334264 ----- | EDE2, EDN2, EDN5, EDS1, EDS2, EDS6, EDT, EDT1, EDT6, ED6, ED8, ED9, ES1, ES3, ES4, HA2, HX26, LH, LHB3, LHE, LHQ4, LJ, LJG, LKE, LT, LWD1, LX, LXE, LXE2, LXE4, LXE8, LXQ4, LXU, LX2, LX26, L1, PKT2, PKT4, PKX4, PX, PXE8, P1, QAB2, QAC2, QAE2, QAE6, QAH2, QAP2, QA2, QA26, QDW9, QE, QH, QHB3, QHE, QHP1, QHQ4, QKA4, QL2, QMEO, QME8, QMH, QMT2, QNE2, QNE9, QNR2, QNR6, QP, QT, QTC2, QX, QXB, QXC, QXC4, QXC6, QXC9, QXE, QXE4, QXE6, QXE8, QXQ4, QXU, Q1, SE, SH, SHB3, SHQ4, SJ, SJG, SKE, SKZ, SMEO, SMX2, STJ, STP, STQ, STR, SWX, SX, SXB, SXE, SXEB, SXE4, SXE8, SXQ4, SXU, S1, VAD2, VA2, VDE2, VH12, VH22, VMT, VWC2, VWE2, VWS2, VW12, VX, VXB, VXE, VXEB, VXE2, VXE8, VXQ4, VXU, VXU1, VX16, VX8, ZK1 |
| | | | - | - | 1 | | |



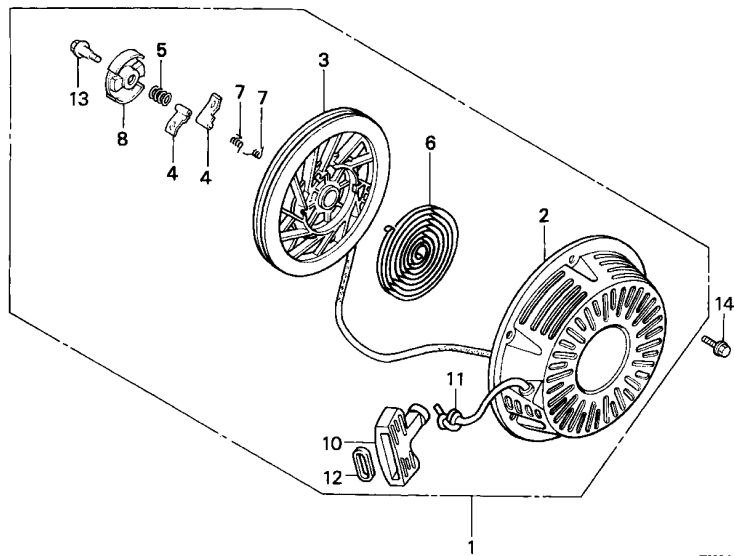
ZK30-E1100

| Ref. No. | L.O.N. | (Relative ref. Number) Description | F.R.T. |
|--------------------------------|--------|---|--------|
| 1 | 1121B9 | STARTER, RECOIL | 0.1 |
| 3 | 1121B1 | REEL, RECOIL STARTER | 0.3 |
| 4 | 1121B0 | RATCHET, STARTER AND/OR SPRING, RATCHET | 0.2 |
| .NOTE: Same time for two units | | | |
| 6 | 1121B7 | SPRING, RECOIL STARTER RETURN (5) | 0.3 |
| 8 | 1121B2 | RETAINER, SPRING | 0.2 |
| 10 | 1121A3 | GRIP, RECOIL STARTER | 0.1 |
| 11 | 1121B3 | ROPE, RECOIL STARTER | 0.3 |

| Ref. No. | Part No. | Description | Reqd. QTY GX 340K1 (1) (2) (3) | Serial No. | Parts catalogue code |
|----------|----------|-------------|---|------------|----------------------|
|----------|----------|-------------|---|------------|----------------------|

| | | | | | |
|---|-----------------|--|-------|---|---|
| 1 | 28400-ZE3-W01ZA | STARTER ASSY., RECOIL *R8*.....BRIGHT RED | 1 (1) | - | ----- BJ, EDE2, EDS, EDS1, EDS3, EDS6, EDS6/A, EDT1, EDT6, EDT6/A, ED6, ED7, ED8, ED9, EMT, EN, ENT, ES, ES1, ES3, ES4, ET, ETS, ETX, HA, HAQ, HA2, HH, HX, HX2, HX26, LH, LHB1, LHB3, LHC, LHE, LHQ4, LHW, LJ, LJG, LJS, LP, LSX, LT, LX, LXE, LXE2, LXE4, LXE6, LXE8, LXQ4, LXU, LXZ, LX2, LX26, L1, PKT2, PKT4, PKX4, PX, PXE8, P1, QA, QAB2, QAC2, QAE, QAE2, QAE6, QAG, QAH2, QAP, QAPE, QAQ, QA2, QA26, QE, QH, QHB3, QHC, QHE, QHP1, QHQ4, QH2, QKA4, QME0, QME8, QMH, QMT2, QMX2, QNE, QNE2, QNE6, QNE9, QNR2, QNR6, QN18, QP, QT, QTC2, QX, QXB, QXB7, QXC, QXC4, QXC6, QXC9, QXE, QXEB, QXE2, QXE4, QXE6, QXE8, QXQ4, QXU, Q1, SE, SH, SHB1, SHB3, SHE, SHEZ, SHQ4, SHT, SJ, SJG, SKE, SKZ, SME0, SME2, SMX2, STJ, STP, STQ, STR, STR/A, SWX, SX, SXB, SXB7, SXE, SXEB, SXE2, SXE4, SXE8, SXP, SXQ4, SXU, S1, VA, VAA, VAAE, VAD2, VAH1, VAH2, VA2, VC2, VDE, VDE2, VD16, VE, VEB6, VH, VHE, VH12, VH22, VMT, VMX, VNG, VNG1, VNG2, VTE2, VWA, VX, VXA, VXB, VXB2, VXB7, VXE, VXEB, VXE2, VXE4, VXE6, VXE7, VXE8, VXG, VXQ4, VXU, VXU1, VX16, VX8, V1, YJ |
|---|-----------------|--|-------|---|---|





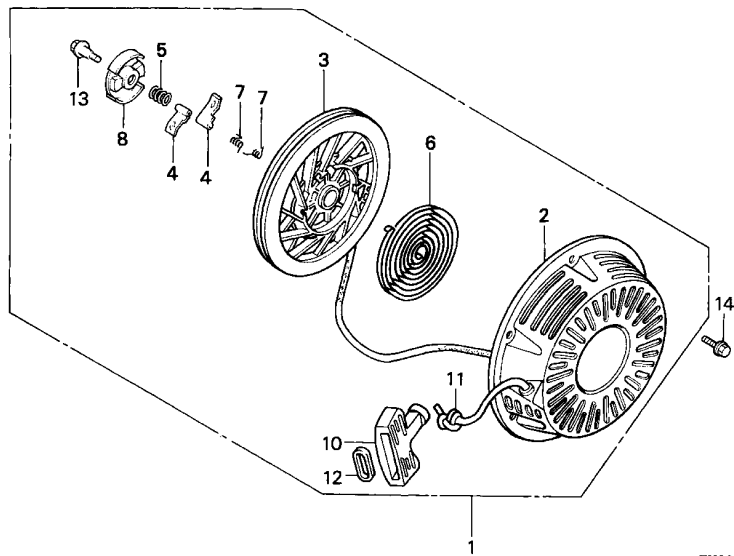
ZK30-E1100



| Ref. No. | Part No. | Description | Reqd. QTY | | | Serial No. | Parts catalogue code |
|----------|-----------------|-------------------------------|-----------|-----|-----|------------|---|
| | | | GX | (1) | (2) | | |
| (1) | 28400-ZE3-W01ZA | STARTER ASSY., RECOIL | | | | | |
| | *R8* |BRIGHT RED | 1 | - | - | ----- | 3658029 PKX2 |
| | | | 1 | - | - | ----- | 3662093 |
| | | | | | | | EDE2/A,EDS1/A,EDT1/A,ED6/A,ED8/A,ED9/A,EMT/A,ENT/A,ES1/A,ES3/A,ES4/A,HA2/A,HX26/A,LH/A,LHB3/A,LHB5,LHE/A,LHQ4/A,LJ/A,LJG/A,LJS/A,LT/A,LX/A,LXE/A,LXE2/A,LXE4/A,LXE8/A,LXQ4/A,LXU/A,LX2/A,LX26/A,PKT2/A,PKT4/A,PKX4/A,PX/A,PXE8/A,QAB2/A,QAC2/A,QAE2/A,QAE6/A,QAQ/A,QA2/A,QA26/A,QE/A,QH/A,QHB3/A,QHB5,QHE/A,QHP1/A,QHQ4/A,QKA4/A,QMEO/A,QME8/A,QMH/A,QMT2/A,QNE2/A,QNE9/A,QNR2/A,QNR6/A,QP/A,QT/A,QTC2/A,QX/A,QXB/A,QXB7/A,QXC/A,QXC4/A,QXC6/A,QXC9/A,QXE/A,QXE4/A,QXE6/A,QXE8/A,QXQ4/A,QXU/A,SE/A,SH/A,SHB3/A,SHQ4/A,SJ/A,SJG/A,SKE/A,SKZ/A,SMEO/A,SMX2/A,STJ/A,STP/A,STQ/A,SWX/A,SX/A,SXB/A,SXB7/A,SXE/A,SXEB/A,SXE4/A,SXE8/A,SXQ4/A,SXU/A,VAD2/A,VA2/A,VC2/A,VDE2/A,VH12/A,VH22/A,VMT/A,VX/A,VXB/A,VXB7/A,VXE/A,VXEB/A,VXE2/A,VXE7/A,VXE8/A,VXQ4/A,VXU/A,VXU1/A,VX16/A,VX8/A |
| | | | - | (1) | - | ----- | 3663624 |
| | | | - | - | 1 | ----- | L1/A,P1/A,Q1/A,S1/A |
| | 28400-ZE3-W01ZB | *NH1*.....BLACK | 1 | (1) | - | ----- | EDE2,EDE2/A,EDK,EDN,EDN2,EDN2/A,EDN5,EDN5/A,EDS1,EDS1/A,EDS2,EDS2/A,EDS3,EDS4,EDS6,EDS6/A,EDT1,EDT1/A,EDT2,EDT3,EDT6,EDT6/A,ED6,ED6/A,ED8,ED8/A,ED9,ED9/A,ENT,ENT/A,ENT2,EN6,EN6/A,ES3/A,ES4/A,HAQ,PKT2/A,PX,PX/A,QAE2,QAE2/A,QAP2,QAP2/A,QAQ,QA2/A,QDW9,QDW9/A,QKA4,QKA4/A,QL2,QMEO,QMEO/A,QMT2,QMT2/A,QMX2,QNE9,QNE9/A,QNR2,QNR2/A,QPE2,QWH2,QWH2/A,QX,QX/A,QXQ4,QXQ4/A,QXU,QXU/A,QX2,Q1,Q1/A,SMEO,SMEO/A,SM2,SMX2,SMX2/A,S1,S1/A,VWC2,VWC2/A |
| | 28400-ZE3-W01ZC | *T34*.....SIMPSON BLUE | 1 | - | - | ----- | QA2,QA2/A |
| | 28400-ZE3-W01ZD | *T39*.....GEKO BLUE | 1 | - | - | ----- | VXE,VXE/A,VXEB,VXEB/A,VXE4 |
| | 28400-ZE3-W01ZE | *T41*...BARTELL BLUE METALLIC | 1 | - | - | ----- | QA2,QA2/A,QA26,QA26/A |
| | 28400-ZE3-W01ZH | *NH105*...MAT BLACK (#15-#20) | 1 | - | - | ----- | VAW1,VDE2,VDE2/A,VWA2,VWC,VWC2,VWC2/A,VWE,VWE2,VWE2/A,VWS2,VWS2/A,VW12,VW12/A,VXB7,VXB7/A,VXE,VXE/A,VXE2,VXE2/A,VXE7,VXE7/A |

| Ref. No. | Part No. | Description | Reqd. QTY | | | Serial No. | Parts catalogue code |
|----------|-----------------|-----------------------------|-----------|-----|-----|------------|---|
| | | | (1) | (2) | (3) | | |
| (1) | 28400-ZE3-W01ZK | STARTER ASSY., RECOIL | | | | | |
| | | *T68*.....TSURUMI BLUE | 1 | - | - | ----- | EDT,EDT/A,ED6,ED6/A |
| | 28400-ZE3-W01ZL | *Y131*.....LIGHTNING YELLOW | 1 | - | - | ----- | EDE2,EDE2/A,ED6,ED6/A,ENT,ENT/A,ES1,ES1/A,ES3,ES3/A,ES4,ES4/A |
| | 28400-ZE3-W01ZM | *T77*.....SEC WINE RED | 1 | - | - | ----- | ES1,ES1/A,ES3,ES3/A,ES4,ES4/A |
| | 28400-ZE3-W01ZN | *T80*.....BAKELITE ORANGE | 1 | - | - | ----- | ED6,ED6/A,ES3,ES3/A,ES4,ES4/A |
| | 28400-ZE3-W01ZP | *R280*.....POWER RED | 1 | - | - | ----- | EDK,EDS4,EDT3,LJS1,PXA2,VMQ,VSH7,VXK |
| | | | 1 | - | - | 3658030 | PKX2 |
| | | | 1 | - | - | 3662094 | ----- |
| | | | | | | | EDE2/A,EDS1/A,EDT1/A,ED6/A,ED8/A,ED9/A,EMT/A,ENT/A,ES1/A,ES3/A,ES4/A,HA2/A,HX26/A,LH/A,LHB3/A,LHB5,LHE/A,LHQ4/A,LJ/A,LJG/A,LJS/A,LT/A,LX/A,LXE/A,LXE2/A,LXE4/A,LXE8/A,LXQ4/A,LXU/A,LX2/A,LX26/A,PKT2/A,PKT4/A,PKX4/A,PX/A,PXE8/A,QAB2/A,QAC2/A,QAE2/A,QAE6/A,QAG/A,QA2/A,QA26/A,QA2/A,QE/A,QH/A,QHB3/A,QHB5,QHE/A,QHP1/A,QHQ4/A,QKA4/A,QMEO/A,QME8/A,QMH/A,QMT2/A,QNE2/A,QNE9/A,QNR2/A,QNR6/A,QP/A,QT/A,QTC2/A,QX/A,QXB/A,QXB7/A,QXC/A,QXC4/A,QXC6/A,QXC9/A,QXE/A,QXE4/A,QXE6/A,QXE8/A,QXQ4/A,QXU/A,SE/A,SH/A,SHB3/A,SHQ4/A,SJ/A,SJG/A,SKE/A,SKZ/A,SMEO/A,SMX2/A,STJ/A,STP/A,STQ/A,SWX/A,SX/A,SXB/A,SXB7/A,SXE/A,SXEB/A,SXE4/A,SXE8/A,SXQ4/A,SXU/A,VAD2/A,VA2/A,VC2/A,VDE2/A,VH12/A,VH22/A,VMT/A,VV12/A,VX/A,VXB/A,VXB7/A,VXE/A,VXE8/A,VXE2/A,VXE7/A,VXE8/A,VXQ4/A,VXU/A,VXU1/A,VX16/A,VX8/A |
| | | | - | (1) | - | 3663625 | ----- |
| 2 | 28410-ZE3-W01ZA | CASE COMP., RECOIL STARTER | | | | | |
| | | *R8*.....BRIGHT RED | 1 | (1) | - | ----- | BJ,EDE2,EDS,EDS1,EDS3,EDS6,EDS6/A,EDT1,EDT6,EDT6/A,ED6,ED7,ED8,ED9,EMT,EN,ENT,ES,ES1,ES3,ES4,ET,ETS,ETX,HA,HAQ,HA2,HH,HX,HX2,HX26,LH,LHB1,LHB3,LHC,LHE,LHQ4,LHW,LJ,LJG,LJS,LP,LSX,LT,LX,LXE,LXE2,LXE4,LXE6,LXE8,LXQ4,LXU,LXZ,LX2,LX26,L1,PKT2,PKT4,PKX4,PX,PXE8,P1,QA,QAB2,QAC2,QAE,QAE2,QAE6,QAG,QA2,QA26,QA26,QE,QH,QHB3,QHC,QHE,QHP1,QHQ4,QH2,QKA4,QMEO,QME8,QMH,QMT2,QMX2,QNE,QNE2,QNE6,QNE9,QNR2,QNR6,QN18,QP,QT,QTC2,QX,QXB,QXB7,QXC,QXC4,QXC6,QXC9,QXE,QXEB,QXE2,QXE4,QXE6,QXE8,QXQ4,QXU,Q1,SE,SH,SHB1,SHB3,SHE,SHEZ,SHQ4,SHT,SJ,SJG,SKE,SKZ,SMEO,SME2,SMX2,STJ,STP,STQ,STR,STR/A,SWX,SX,SXB,SXB7,SXE,SXEB,SXE2,SXE4,SXE8,SXP,SXQ4,SXU,S1,VA,VAA,VAAE,VAD2,VAH1,VAH2,VA2,VC2,VDE,VDE2,VD16,VE,VEB6,VH,VHE,VH12,VH22,VMT,VMX,VNG,VNG1,VNG2,VTE2,VVA,VX,VXA,VXB,VXB2,VXB7,VXE,VXEB,VXE2,VXE4,VXE6,VXE7,VXE8,VXG,VXQ4,VXU,VXU1,VX16,VX8,V1,YJ |
| | | | 1 | - | - | 3658029 | PKX2 |
| | | | 1 | - | - | 3662093 | ----- |
| | | | | | | | EDE2/A,EDS1/A,EDT1/A,ED6/A,ED8/A,ED9/A,EMT/A,ENT/A,ES1/A,ES3/A,ES4/A,HA2/A,HX26/A,LH/A,LHB3/A,LHB5,LHE/A,LHQ4/A,LJ/A,LJG/A,LJS/A,LT/A,LX/A,LXE/A,LXE2/A,LXE4/A,LXE8/A,LXQ4/A,LXU/A,LX2/A,LX26/A,PKT2/A,PKT4/A,PKX4/A,PX/A,PXE8/A,QAB2/A,QAC2/A,QAE2/A,QAE6/A,QAG/A,QA2/A,QA26/A,QA2/A,QE/A,QH/A,QHB3/A,QHB5,QHE/A,QHP1/A,QHQ4/A,QKA4/A,QMEO/A,QME8/A,QMH/A,QMT2/A,QNE2/A,QNE9/A,QNR2/A,QNR6/A,QP/A,QT/A,QTC2/A,QX/A,QXB/A,QXB7/A,QXC/A,QXC4/A,QXC6/A,QXC9/A,QXE/A,QXE4/A,QXE6/A,QXE8/A,QXQ4/A,QXU/A,SE/A,SH/A,SHB3/A,SHQ4/A,SJ/A,SJG/A,SKE/A,SKZ/A,SMEO/A,SMX2/A,STJ/A,STP/A,STQ/A,SWX/A,SX/A,SXB/A,SXB7/A,SXE/A,SXEB/A,SXE4/A,SXE8/A,SXQ4/A,SXU/A,VAD2/A,VA2/A,VC2/A,VDE2/A,VH12/A,VH22/A,VMT/A,VX/A,VXB/A,VXB7/A,VXE/A,VXE8/A,VXE2/A,VXE7/A,VXE8/A,VXQ4/A,VXU/A,VXU1/A,VX16/A,VX8/A |
| | | | - | (1) | - | 3663624 | L1/A,P1/A,Q1/A,S1/A |
| | | | - | - | 1 | | |
| | 28410-ZE3-W01ZB | *NH1*.....BLACK | 1 | (1) | - | ----- | EDE2,EDE2/A,EDK,EDN,EDN2,EDN2/A,EDN5,EDN5/A,EDS1,EDS1/A,EDS2,EDS2/A,EDS3,EDS4,EDS6,EDS6/A,EDT1,EDT1/A,EDT2,EDT3,EDT6,EDT6/A,ED6,ED6/A,ED8,ED8/A,ED9,ED9/A,ENT,ENT/A,ENT2,EN6,EN6/A,ES3/A,ES4/A,HAQ,PKT2/A,PX,PX/A,QAE2,QAE2/A,QAP2,QAP2/A,QAQ,QA2/A,QDW9,QDW9/A,QKA4,QKA4/A,QL2,QMEO,QMEO/A,QMT2,QMT2/A,QMX2,QNE9,QNE9/A,QNR2,QNR2/A,QPE2,QWH2,QWH2/A,QX,QX/A,QXQ4,QXQ4/A,QXU,QXU/A,QX2,Q1,Q1/A,SMEO,SMEO/A,SME2,SMX2,SMX2/A,S1,S1/A,VWC2,VWC2/A |





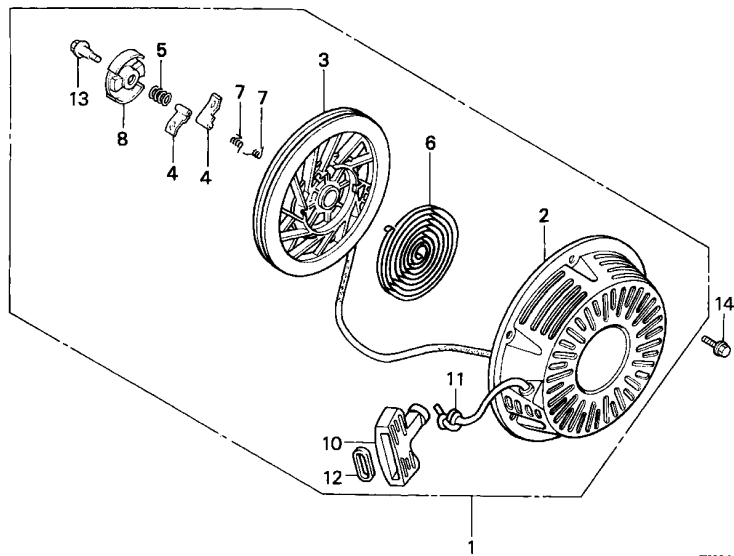
ZK30-E1100



| Ref. No. | Part No. | Description | Reqd. QTY | | | Serial No. | Parts catalogue code |
|----------|-----------------|-----------------------------|-----------|-----|-----|--|----------------------|
| | | | GX | (1) | (2) | | |
| (2) | 28410-ZE3-W01ZD | CASE COMP., RECOIL STARTER | | | | | |
| | *T34* | SIMPSON BLUE | 1 | - | - | QA2,QA2/A,VXE,VXE/A,VXEB,VXEB/A | |
| | 28410-ZE3-W01ZE | *T39* GEKO BLUE | 1 | - | - | VXE,VXE/A,VXEB,VXEB/A,VXE4 | |
| | 28410-ZE3-W01ZF | *T41* BARTELL BLUE METALLIC | 1 | - | - | QA2,QA2/A,QA26,QA26/A | |
| | 28410-ZE3-W01ZH | *NH105* MAT BLACK (#15-#20) | 1 | - | - | VAW1,VDE2,VDE2/A,VWA2,VWC,VWC2,VWC2/A,VWE,VWE2,VWE2/A,VWS2,VWS2/A,VW12,VW12/A,VXB7,VXB7/A,VXE,VXE/A,VXE2,VXE2/A,VXE7,VXE7/A | |
| | 28410-ZE3-W01ZK | *T68* TSURUMI BLUE | 1 | - | - | EDT,EDT/A,ED6,ED6/A | |
| | 28410-ZE3-W01ZL | *Y131* LIGHTNING YELLOW | 1 | - | - | EDE2,EDE2/A,ED6,ED6/A,ENT,ENT/A,ES1,ES1/A,ES3,ES3/A,ES4,ES4/A | |
| | 28410-ZE3-W01ZM | *T77* SEC WINE RED | 1 | - | - | ES1,ES1/A,ES3,ES3/A,ES4,ES4/A | |
| | 28410-ZE3-W01ZN | *T80* BAKELITE ORANGE | 1 | - | - | ED6,ED6/A,ES3,ES3/A,ES4,ES4/A | |
| | 28410-ZE3-W01ZP | *R280* POWER RED | 1 | - | - | EDK,EDS4,EDT3,LJS1,PXA2,VMQ,VSH7,VXK | |
| | | | 1 | - | - | 3658030 PKX2 | |
| | | | 1 | - | - | 3662094 EDE2/A,EDS1/A,EDT1/A,ED6/A,ED8/A,ED9/A,EMT/A,ENT/A,ES1/A,ES3/A,ES4/A,HA2/A,HX26/A,LH/A,LHB3/A,LHB5,LHE/A,LHQ4/A,LJ/A,LJG/A,LJS/A,LT/A,LX/A,LXE/A,LXE2/A,LXE4/A,LXE8/A,LXQ4/A,LXU/A,LX2/A,LX26/A,PKT2/A,PKT4/A,PKX4/A,PX/A,PXE8/A,QAB2/A,QAC2/A,QAE2/A,QAE6/A,QAG/A,QA2/A,QAP2/A,QA2/A,QA26/A,QA26/A,QE/A,QH/A,QHB3/A,QHB5,QHE/A,QHP1/A,QHQ4/A,QKA4/A,QME0/A,QME8/A,QMH/A,QMT2/A,QNE2/A,QNE9/A,QNR2/A,QNR6/A,QP/A,QT/A,QTC2/A,QWH2/A,QX/A,QXB/A,QXB7/A,QXC/A,QXC4/A,QXC6/A,QXC9/A,QXE/A,QXE4/A,QXE6/A,QXE8/A,QXQ4/A,QXU/A,SE/A,SH/A,SHB3/A,SHQ4/A,SJ/A,SJG/A,SKE/A,SKZ/A,SMEO/A,SMX2/A,STJ/A,STP/A,STQ/A,SWX/A, SX/A, SXB/A, SXB7/A, SXE/A, SXEB/A, SXE4/A, SXE8/A, SXQ4/A, SXU/A, VAD2/A, VA2/A, VC2/A, VDE2/A, VH12/A, VH22/A, VMT/A, VW12/A, VX/A, VXB/A, VXB7/A, VXE/A, VXE/A, VXE2/A, VXE2/A, VXE7/A, VXE8/A, VXQ4/A, VXU/A, VXU1/A, VX16/A, VX8/A | |
| | | | - | 1 | - | 3663625 L1/A,P1/A,Q1/A,S1/A | |

| Ref. No. | Part No. | Description | Reqd. QTY | | | Serial No. | Parts catalogue code |
|----------|---------------|------------------------------|--------------------|-----|-----|------------|--|
| | | | GX 340K1 (1) | (2) | (3) | | |
| 3 | 28421-ZE3-W01 | PULLEY, RECOIL STARTER | 1 | - | - | ----- | BJ,EDE2,EDE2/A,EDK,EDN,EDN2,EDN2/A,EDN5,EDN5/A,EDS,EDS1,EDS1/A,EDS2,EDS2/A,EDS3,EDS4,EDS6,EDS6/A,EDT,EDT/A,EDT1,EDT1/A,EDT2,EDT3,EDT6,EDT6/A,ED6,ED6/A,ED7,ED8,ED8/A,ED9,ED9/A,EMT,EMT/A,EN,ENT,ENT/A,ENT2,EN6,EN6/A,ES,ES1,ES1/A,ES3,ES3/A,ES4,ES4/A,ET,ETS,ETX,HA,HAQ,HA2,HA2/A,HH,HX,HX2,HX26,HX26/A,LH,LH/A,LHB1,LHB3,LHB3/A,LHB5,LHC,LHE,LHE/A,LHQ4,LHQ4/A,LHW,LJ,LJ/A,LJG,LJG/A,LJS,LJS/A,LJS1,LP,LSX,LT,LT/A,LX,LX/A,LXE,LXE/A,LXE2,LXE2/A,LXE4,LXE4/A,LXE6,LXE8,LXE8/A,LXQ4,LXQ4/A,LXU,LXU/A,LXZ,LXZ/A,LX26,LX26/A,PKT2,PKT2/A,PKT4,PKT4/A,PKX2,PKX4,PKX4/A,PX,PX/A,PXA2,PXE8,PXE8/A,QA,QAB2,QAB2/A,QAC2,QAC2/A,QAE,QAE2,QAE2/A,QAE6,QAE6/A,QAG,QAG/A,QA2,QA2/A,QAP,QAPE,QAP2,QAP2/A,QAQ,QA2,QA2/A,QA26,QA26/A,QDW9,QDW9/A,QE,QE/A,QH,QH/A,QHB3,QHB3/A,QHB5,QHC,QHE,QHE/A,QHP1,QHP1/A,QHQ4,QHQ4/A,QHZ,QKA4,QKA4/A,QL2,QMED,QMED/A,QME8,QME8/A,QMH,QMH/A,QMT2,QMT2/A,QMX2,QNE,QNE2,QNE2/A,QNE6,QNE9,QNE9/A,QNR2,QNR2/A,QNR6,QNR6/A,QN18,QP,QP/A,QPE2,QT,QT/A,QTC2,QTC2/A,QWH2,QWH2/A,QX,QX/A,QXB,QXB/A,QXB7,QXB7/A,QXC,QXC/A,QXC4,QXC4/A,QXC6,QXC6/A,QXC9,QXC9/A,QXE,QXE/A,QXEB,QXE2,QXE4,QXE4/A,QXE6,QXE6/A,QXE8,QXE8/A,QXQ4,QXQ4/A,QXU,QXU/A,QX2,SE,SE/A,SH,SH/A,SHB1,SHB3,SHB3/A,SHE,SHEZ,SHQ4,SHQ4/A,SHT,SJ,SJ/A,SJG,SJG/A,SKE,SKE/A,SKZ,SKZ/A,SME0,SME0/A,SME2,SMX2,SMX2/A,STJ,STJ/A,STP,STP/A,STQ,STQ/A,STR,STR/A,SWX,SWX/A,SX,SX/A,SXB,SXB/A,SXB7,SXB7/A,SXE,SXE/A,SXEB,SXEB/A,SXE2,SXE4,SXE4/A,SXE8,SXE8/A,SXP,SXQ4,SXQ4/A,SXU,SXU/A,VA,VA,VAA,VAAE,VAD2,VAD2/A,VAH1,VAH2,VAW1,VA2,VA2/A,VC2,VC2/A,VDE,VDE2,VDE2/A,VD16,VE,VEB6,VH,VHE,VH12,VH12/A,VH22,VH22/A,VMQ,VMT,VMT/A,VMX,VNG,VNG1,VNG2,VSH7,VTE2,VWA,VWA2,VWC,VWC2,VWC2/A,VWE,VWE2,VWE2/A,VWS2,VWS2/A,VW12,VW12/A,VX,VX/A,VXA,VXB,VXB/A,VXB2,VXB7,VXB7/A,VXE,VXE/A,VXEB,VXEB/A,VXE2,VXE2/A,VXE4,VXE6,VXE7,VXE7/A,VXE8,VXE8/A,VXG,VXK,VXQ4,VXQ4/A,VXU,VXU/A,VXU1,VXU1/A,VX16,VX16/A,VX8,VX8/A,YJ |

- (1) 1



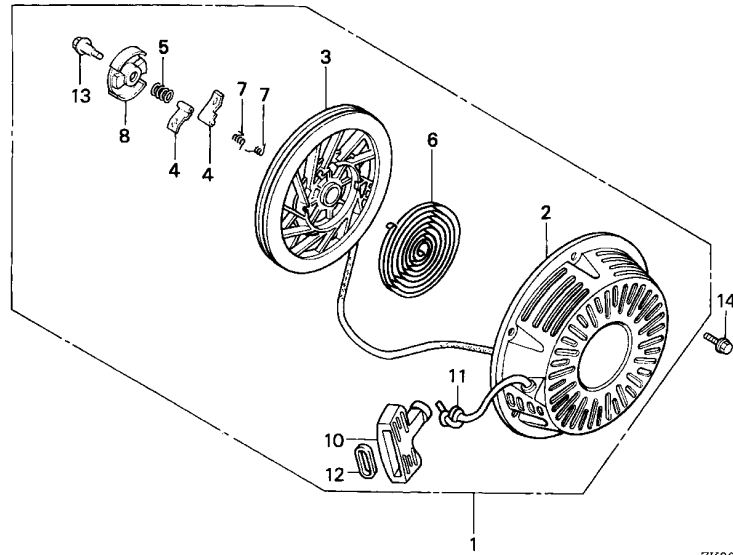
ZK30-E1100



| Ref. No. | Part No. | Description | Reqd. QTY | | | Serial No. | Parts catalogue code |
|----------|---------------|------------------------|-----------|-------|-----|------------|--|
| | | | GX | 340K1 | | | |
| | | | (1) | (2) | (3) | | |
| 4 | 28422-ZE2-W01 | RATCHET, STARTER | 2 | - | - | ----- | BJ, EDE2, EDE2/A, EDK, EDN, EDN2, EDN2/A, EDN5, EDN5/A, EDS, EDS1, EDS1/A, EDS2, EDS2/A, EDS3, EDS4, EDS6, EDS6/A, EDT, EDT/A, EDT1, EDT1/A, EDT2, EDT3, EDT6, EDT6/A, ED6, ED6/A, ED7, ED8, ED8/A, ED9, ED9/A, EMT, EMT/A, EN, ENT, ENT/A, ENT2, EN6, EN6/A, ES, ES1, ES1/A, ES3, ES3/A, ES4, ES4/A, ET, ETS, ETX, HA, HAQ, HA2, HA2/A, HH, HX, HX2, HX26, HX26/A, LH, LH/A, LHB1, LHB3, LHB3/A, LHB5, LHC, LHE, LHE/A, LHQ4, LHQ4/A, LHW, LJ, LJ/A, LJG, LJG/A, LJS, LJS/A, LJS1, LP, LSX, LT, LT/A, LX, LX/A, LXE, LXE/A, LXE2, LXE2/A, LXE4, LXE4/A, LXE6, LXE8, LXE8/A, LXQ4, LXQ4/A, LXU, LXU/A, LXZ, LXZ, LX2, LX2/A, LX26, LX26/A, PKT2, PKT2/A, PKT4, PKT4/A, PKX2, PKX4, PKX4/A, PX, PX/A, PXA2, PXE8, PXE8/A, QA, QAB2, QAB2/A, QAC2, QAC2/A, QAE, QAE2, QAE2/A, QAE6, QAE6/A, QAG, QAG/A, QAH2, QAH2/A, QAP, QAPE, QAP2, QAP2/A, QAQ, QA2, QA2/A, QA26, QA26/A, QDW9, QDW9/A, QE, QE/A, QH, QH/A, QHB3, QHB3/A, QHB5, QHC, QHE, QHE/A, QHP1, QHP1/A, QHQ4, QHQ4/A, QH2, QKA4, QKA4/A, QL2, QMED, QMED/A, QME8, QME8/A, QMH, QMH/A, QMT2, QMT2/A, QMX2, QNE, QNE2, QNE2/A, QNE6, QNE9, QNE9/A, QNR2, QNR2/A, QNR6, QNR6/A, QN18, QP, QP/A, QPE2, QT, QT/A, QTC2, QTC2/A, QWH2, QWH2/A, QX, QX/A, QXB, QXB/A, QXB7, QXB7/A, QXC, QXC/A, QXC4, QXC4/A, QXC6, QXC6/A, QXC9, QXC9/A, QXE, QXE/A, QXEB, QXE2, QXE4, QXE4/A, QXE6, QXE6/A, QXE8, QXE8/A, QXQ4, QXQ4/A, QXU, QXU/A, QX2, SE, SE/A, SH, SH/A, SHB1, SHB3, SHB3/A, SHE, SHEZ, SHQ4, SHQ4/A, SHT, SJ, SJ/A, SJG, SJG/A, SKE, SKE/A, SKZ, SKZ/A, SME0, SME0/A, SME2, SMX2, SMX2/A, STJ, STJ/A, STP, STP/A, STQ, STQ/A, STR, STR/A, SWX, SWX/A, SX, SX/A, SXB, SXB/A, SXB7, SXB7/A, SXE, SXE/A, SXEB, SXEB/A, SXE2, SXE4, SXE4/A, SXE8, SXE8/A, SXP, SXQ4, SXQ4/A, SXU, SXU/A, VA, VAA, VAAE, VAD2, VAD2/A, VAH1, VAH2, VAW1, VA2, VA2/A, VC2, VC2/A, VDE, VDE2, VDE2/A, VD16, VE, VEB6, VH, VHE, VH12, VH12/A, VH22, VH22/A, VMQ, VMT, VMT/A, VMX, VNG, VNG1, VNG2, VSH7, VTE2, VVA, VVA2, VVC, VVC2, VVC2/A, VME, VME2, VME2/A, VWS2, VWS2/A, VW12, VW12/A, VX, VX/A, VXA, VXB, VXB/A, VXB2, VXB7, VXB7/A, VXE, VXE/A, VXE8, VXE8/A, VXE2, VXE2/A, VXE4, VXE4/A, VXE6, VXE6/A, VXE7, VXE7/A, VXE8, VXE8/A, VXG, VXX, VXQ4, VXQ4/A, VXU, VXU/A, VXU1, VXU1/A, VX16, VX16/A, VX8, VX8/A, YJ |

| Ref. No. | Part No. | Description | Reqd. QTY | | | Serial No. | Parts catalogue code |
|----------|-----------------|------------------------|-----------|-----|-----|------------|--|
| | | | (1) | (2) | (3) | | |
| (4) | 28422-ZE2-W01 | RATCHET, STARTER | - | (2) | 2 | | |
| | 5 28441-ZE2-W01 | SPRING, FRICTION | 1 | - | - | ----- | ----- |
| | | | | | | | BJ, EDE2, EDE2/A, EDK, EDN, EDN2, EDN2/A, EDN5, EDN5/A, EDS, EDS1, EDS1/A, EDS2, EDS2/A, EDS3, EDS4, EDS6, EDS6/A, EDT, EDT/A, EDT1, EDT1/A, EDT2, EDT3, EDT6, EDT6/A, ED6, ED6/A, ED7, ED8, ED8/A, ED9, ED9/A, EMT, EMT/A, EN, ENT, ENT/A, ENT2, EN6, EN6/A, ES, ES1, ES1/A, ES3, ES3/A, ES4, ES4/A, ET, ETS, ETX, HA, HAQ, HA2, HA2/A, HH, HX, HX2, HX26, HX26/A, LH, LH/A, LHB1, LHB3, LHB3/A, LHB5, LHC, LHE, LHE/A, LHQ4, LHQ4/A, LHW, LJ, LJ/A, LJG, LJG/A, LJS, LJS/A, LJS1, LP, LSX, LT, LT/A, LX, LX/A, LXE, LXE/A, LXE2, LXE2/A, LXE4, LXE4/A, LXE6, LXE8, LXE8/A, LXQ4, LXQ4/A, LXU, LXU/A, LXZ, LXZ, LX2, LX2/A, LX26, LX26/A, PKT2, PKT2/A, PKT4, PKT4/A, PKX2, PKX4, PKX4/A, PX, PX/A, PXA2, PXE8, PXE8/A, QA, QAB2, QAB2/A, QAC2, QAC2/A, QAE, QAE2, QAE2/A, QAE6, QAE6/A, QAG, QAG/A, QAH2, QAH2/A, QAP, QAPE, QAP2, QAP2/A, QAQ, QA2, QA2/A, QA26, QA26/A, QDW9, QDW9/A, QE, QE/A, QH, QH/A, QHB3, QHB3/A, QHB5, QHC, QHE, QHE/A, QHP1, QHP1/A, QHQ4, QHQ4/A, QH2, QKA4, QKA4/A, QL2, QMEO, QMEO/A, QME8, QME8/A, QMH, QMH/A, QMT2, QMT2/A, QMX2, QNE, QNE2, QNE2/A, QNE6, QNE9, QNE9/A, QNR2, QNR2/A, QNR6, QNR6/A, QN18, QP, QP/A, QPE2, QT, QT/A, QTC2, QTC2/A, QWH2, QWH2/A, QX, QX/A, QXB, QXB/A, QXB7, QXB7/A, QXC, QXC/A, QXC4, QXC4/A, QXC6, QXC6/A, QXC9, QXC9/A, QXE, QXE/A, QXEB, QXE2, QXE4, QXE4/A, QXE6, QXE6/A, QXE8, QXE8/A, QXQ4, QXQ4/A, QXU, QXU/A, QX2, SE, SE/A, SH, SH/A, SHB1, SHB3, SHB3/A, SHE, SHEZ, SHQ4, SHQ4/A, SHT, SJ, SJ/A, SJG, SJG/A, SKE, SKE/A, SKZ, SKZ/A, SME0, SME0/A, SME2, SMX2, SMX2/A, STJ, STJ/A, STP, STP/A, STQ, STQ/A, STR, STR/A, SWX, SWX/A, SX, SX/A, SXB, SXB/A, SXB7, SXB7/A, SXE, SXE/A, SXEB, SXEB/A, SXE2, SXE4, SXE4/A, SXE8, SXE8/A, SXP, SXQ4, SXQ4/A, SXU, SXU/A, VA, VAA, VAAE, VAD2, VAD2/A, VAH1, VAH2, VAW1, VA2, VA2/A, VC2, VC2/A, VDE, VDE2, VDE2/A, VD16, VE, VEB6, VH, VHE, VH12, VH12/A, VH22, VH22/A, VMQ, VMT, VMT/A, VMX, VNG, VNG1, VNG2, VSH7, VTE2, VWA, VWA2, VWC, VWC2, VWC2/A, VWE, VWE2, VWE2/A, VWS2, VWS2/A, VW12, VW12/A, VX, VX/A, VXA, VXB, VXB/A, VXB2, VXB7, VXB7/A, VXE, VXE/A, VXEB, VXEB/A, VXE2, VXE2/A, VXE4, VXE6, VXE7, VXE7/A, VXE8, VXE8/A, VXG, VXX, VXQ4, VXQ4/A, VXU, VXU/A, VXU1, VXU1/A, VX16, VX16/A, VX8, VX8/A, YY |
| | | | - | (1) | 1 | | |





ZK30-E1100

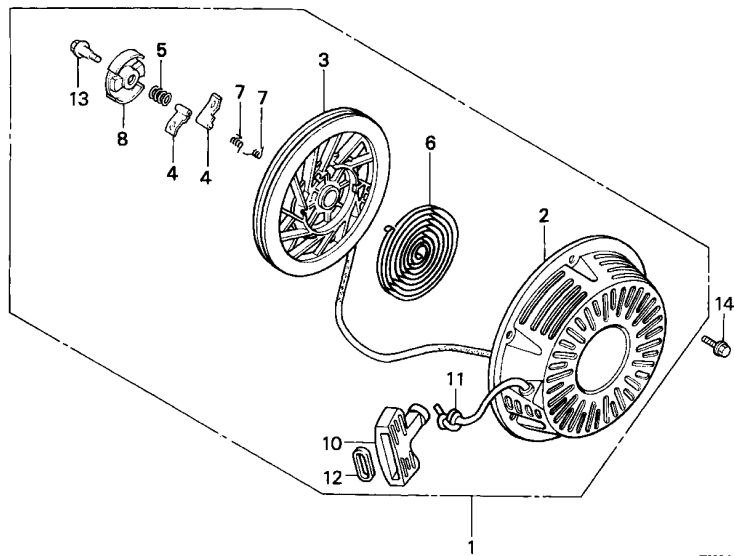


| Ref. No. | Part No. | Description | Reqd. QTY | | | Serial No. | Parts catalogue code |
|----------|---------------|------------------------------|-----------|-------|-----|------------|--|
| | | | GX | 340K1 | | | |
| | | | (1) | (2) | (3) | | |
| 6 | 28442-ZE2-W01 | SPRING, STARTER RETURN | 1 | - | - | ----- | BJ, EDE2, EDE2/A, EDK, EDN, EDN2, EDN2/A, EDN5, EDN5/A, EDS, EDS1, EDS1/A, EDS2, EDS2/A, EDS3, EDS4, EDS6, EDS6/A, EDT, EDT/A, EDT1, EDT1/A, EDT2, EDT3, EDT6, EDT6/A, ED6, ED6/A, ED7, ED8, ED8/A, ED9, ED9/A, EMT, EMT/A, EN, ENT, ENT/A, ENT2, EN6, EN6/A, ES, ES1, ES1/A, ES3, ES3/A, ES4, ES4/A, ET, ETS, ETX, HA, HAQ, HA2, HA2/A, HH, HX, HX2, HX26, HX26/A, LH, LH/A, LHB1, LHB3, LHB3/A, LHB5, LHC, LHE, LHE/A, LHQ4, LHQ4/A, LHW, LJ, LJ/A, LJG, LJG/A, LJS, LJS/A, LJS1, LP, LSX, LT, LT/A, LX, LX/A, LXE, LXE/A, LXE2, LXE2/A, LXE4, LXE4/A, LXE6, LXE8, LXE8/A, LXQ4, LXQ4/A, LXU, LXU/A, LXZ, LXZ/A, LX2, LX2/A, LX26, LX26/A, PKT2, PKT2/A, PKT4, PKT4/A, PKX2, PKX4, PKX4/A, PX, PX/A, PXA2, PXE8, PXE8/A, QA, QAB2, QAB2/A, QAC2, QAC2/A, QAE, QAE2, QAE2/A, QAE6, QAE6/A, QAG, QAG/A, QAH2, QAH2/A, QAP, QAPE, QAP2, QAP2/A, QAQ, QA2, QA2/A, QA26, QA26/A, QDW9, QDW9/A, QE, QE/A, QH, QH/A, QHB3, QHB3/A, QHB5, QHC, QHE, QHE/A, QHP1, QHP1/A, QHQ4, QHQ4/A, QH2, QKA4, QKA4/A, QL2, QMED, QMED/A, QME8, QME8/A, QMH, QMH/A, QMT2, QMT2/A, QMX2, QNE, QNE2, QNE2/A, QNE6, QNE9, QNE9/A, QNR2, QNR2/A, QNR6, QNR6/A, QN18, QP, QP/A, QPE2, QT, QT/A, QTC2, QTC2/A, QWH2, QWH2/A, QX, QX/A, QXB, QXB/A, QXB7, QXB7/A, QXC, QXC/A, QXC4, QXC4/A, QXC6, QXC6/A, QXC9, QXC9/A, QXE, QXE/A, QXEB, QXE2, QXE4, QXE4/A, QXE6, QXE6/A, QXE8, QXE8/A, QXQ4, QXQ4/A, QXU, QXU/A, QX2, SE, SE/A, SH, SH/A, SHB1, SHB3, SHB3/A, SHE, SHEZ, SHQ4, SHQ4/A, SHT, SJ, SJ/A, SJG, SJG/A, SKE, SKE/A, SKZ, SKZ/A, SME0, SME0/A, SME2, SMX2, SMX2/A, STJ, STJ/A, STP, STP/A, STQ, STQ/A, STR, STR/A, SWX, SWX/A, SX, SX/A, SXB, SXB/A, SXB7, SXB7/A, SXE, SXE/A, SXEB, SXEB/A, SXE2, SXE4, SXE4/A, SXE8, SXE8/A, SXP, SXQ4, SXQ4/A, SXU, SXU/A, VA, VAA, VAAE, VAD2, VAD2/A, VAH1, VAH2, VAW1, VA2, VA2/A, VC2, VC2/A, VDE, VDE2, VDE2/A, VD16, VE, VEB6, VH, VHE, VH12, VH12/A, VH22, VH22/A, VMQ, VMT, VMT/A, VMX, VNG, VNG1, VNG2, VSH7, VTE2, VVA, VVA2, VVC, VVC2, VVC2/A, VME, VME2, VWE2/A, VWS2, VWS2/A, VW12, VW12/A, VX, VX/A, VXA, VXB, VXB/A, VXB2, VXB7, VXB7/A, VXE, VXE/A, VXE8, VXE8/A, VXE2, VXE2/A, VXE4, VXE4/A, VXE6, VXE6/A, VXE7, VXE7/A, VXE8, VXE8/A, VXG, VXX, VXQ4, VXQ4/A, VXU, VXU/A, VXU1, VXU1/A, VX16, VX16/A, VX8, VX8/A, YJ |

| Ref. No. | Part No. | Description | Reqd. QTY | | | Serial No. | Parts catalogue code |
|----------|---------------|------------------------------|-------------|-----|-----|------------|--|
| | | | GX 340K1 | (1) | (2) | | |
| (6) | 28442-ZE2-W01 | SPRING, STARTER RETURN | - | (1) | 1 | | |
| 7 | 28443-ZE2-W01 | SPRING, RATCHET | 2 | - | - | ----- | ----- BJ, EDE2, EDE2/A, EDK, EDN, EDN2, EDN2/A, EDN5, EDN5/A, EDS, EDS1, EDS1/A, EDS2, EDS2/A, EDS3, EDS4, EDS6, EDS6/A, EDT, EDT/A, EDT1, EDT1/A, EDT2, EDT3, EDT6, EDT6/A, ED6, ED6/A, ED7, ED8, ED8/A, ED9, ED9/A, EMT, EMT/A, EN, ENT, ENT/A, ENT2, EN6, EN6/A, ES, ES1, ES1/A, ES3, ES3/A, ES4, ES4/A, ET, ETS, ETX, HA, HAQ, HA2, HA2/A, HH, HX, HX2, HX26, HX26/A, LH, LH/A, LHB1, LHB3, LHB3/A, LHB5, LHC, LHE, LHE/A, LHQ4, LHQ4/A, LHW, LJ, LJ/A, LJG, LJG/A, LJS, LJS/A, LJS1, LP, LSX, LT, LT/A, LX, LX/A, LXE, LXE/A, LXE2, LXE2/A, LXE4, LXE4/A, LXE6, LXE8, LXE8/A, LXQ4, LXQ4/A, LXU, LXU/A, LXZ, LXZ, LX2, LX2/A, LX26, LX26/A, PKT2, PKT2/A, PKT4, PKT4/A, PKX2, PKX4, PKX4/A, PX, PX/A, PXA2, PXE8, PXE8/A, QA, QAB2, QAB2/A, QAC2, QAC2/A, QAE, QAE2, QAE2/A, QAE6, QAE6/A, QAG, QAG/A, QAH2, QAH2/A, QAP, QAPE, QAP2, QAP2/A, QAQ, QA2, QA2/A, QA26, QA26/A, QDW9, QDW9/A, QE, QE/A, QH, QH/A, QHB3, QHB3/A, QHB5, QHC, QHE, QHE/A, QHP1, QHP1/A, QHQ4, QHQ4/A, QH2, QKA4, QKA4/A, QL2, QMEO, QMEO/A, QME8, QME8/A, QMH, QMH/A, QMT2, QMT2/A, QMX2, QNE, QNE2, QNE2/A, QNE6, QNE9, QNE9/A, QNR2, QNR2/A, QNR6, QNR6/A, QN18, QP, QP/A, QPE2, QT, QT/A, QTC2, QTC2/A, QWH2, QWH2/A, QX, QX/A, QXB, QXB/A, QXB7, QXB7/A, QXC, QXC/A, QXC4, QXC4/A, QXC6, QXC6/A, QXC9, QXC9/A, QXE, QXE/A, QXEB, QXE2, QXE4, QXE4/A, QXE6, QXE6/A, QXE8, QXE8/A, QXQ4, QXQ4/A, QXU, QXU/A, QX2, SE, SE/A, SH, SH/A, SHB1, SHB3, SHB3/A, SHE, SHEZ, SHQ4, SHQ4/A, SHT, SJ, SJ/A, SJG, SJG/A, SKE, SKE/A, SKZ, SKZ/A, SME0, SME0/A, SME2, SMX2, SMX2/A, STJ, STJ/A, STP, STP/A, STQ, STQ/A, STR, STR/A, SWX, SWX/A, SX, SX/A, SXB, SXB/A, SXB7, SXB7/A, SXE, SXE/A, SXEB, SXEB/A, SXE2, SXE4, SXE4/A, SXE8, SXE8/A, SXP, SXQ4, SXQ4/A, SXU, SXU/A, VA, VAA, VAAE, VAD2, VAD2/A, VAH1, VAH2, VAW1, VA2, VA2/A, VC2, VC2/A, VDE, VDE2, VDE2/A, VD16, VE, VEB6, VH, VHE, VH12, VH12/A, VH22, VH22/A, VMQ, VMT, VMT/A, VMX, VNG, VNG1, VNG2, VSH7, VTE2, VWA, VWA2, VWC, VWC2, VWC2/A, VWE, VWE2, VWE2/A, VWS2, VWS2/A, VW12, VW12/A, VX, VX/A, VXA, VXB, VXB/A, VXB2, VXB7, VXB7/A, VXE, VXE/A, VXEB, VXEB/A, VXE2, VXE2/A, VXE4, VXE6, VXE7, VXE7/A, VXE8, VXE8/A, VXG, VXX, VXQ4, VXQ4/A, VXU, VXU/A, VXU1, VXU1/A, VX16, VX16/A, VX8, VX8/A, YY |

- (2) 2





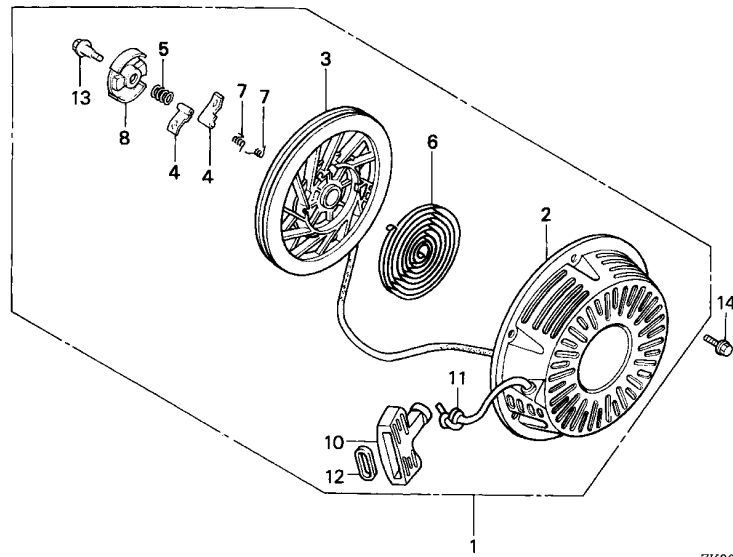
ZK30-E1100



| Ref. No. | Part No. | Description | Reqd. QTY | | | Serial No. | Parts catalogue code |
|----------|---------------|------------------------|-----------|-------|-----|------------|--|
| | | | GX | 340K1 | | | |
| | | | (1) | (2) | (3) | | |
| 8 | 28444-ZE2-W01 | RETAINER, SPRING | 1 | - | - | ----- | BJ, EDE2, EDE2/A, EDK, EDN, EDN2, EDN2/A, EDN5, EDN5/A, EDS, EDS1, EDS1/A, EDS2, EDS2/A, EDS3, EDS4, EDS6, EDS6/A, EDT, EDT/A, EDT1, EDT1/A, EDT2, EDT3, EDT6, EDT6/A, ED6, ED6/A, ED7, ED8, ED8/A, ED9, ED9/A, EMT, EMT/A, EN, ENT, ENT/A, ENT2, EN6, EN6/A, ES, ES1, ES1/A, ES3, ES3/A, ES4, ES4/A, ET, ETS, ETX, HA, HAQ, HA2, HA2/A, HH, HX, HX2, HX26, HX26/A, LH, LH/A, LHB1, LHB3, LHB3/A, LHB5, LHC, LHE, LHE/A, LHQ4, LHQ4/A, LHW, LJ, LJ/A, LJG, LJG/A, LJS, LJS/A, LJS1, LP, LSX, LT, LT/A, LX, LX/A, LXE, LXE/A, LXE2, LXE2/A, LXE4, LXE4/A, LXE6, LXE8, LXE8/A, LXQ4, LXQ4/A, LXU, LXU/A, LXZ, LXZ, LX2, LX2/A, LX26, LX26/A, PKT2, PKT2/A, PKT4, PKT4/A, PKX2, PKX4, PKX4/A, PX, PX/A, PXA2, PXE8, PXE8/A, QA, QAB2, QAB2/A, QAC2, QAC2/A, QAE, QAE2, QAE2/A, QAE6, QAE6/A, QAG, QAG/A, QAH2, QAH2/A, QAP, QAPE, QAP2, QAP2/A, QAQ, QA2, QA2/A, QA26, QA26/A, QDW9, QDW9/A, QE, QE/A, QH, QH/A, QHB3, QHB3/A, QHB5, QHC, QHE, QHE/A, QHP1, QHP1/A, QHQ4, QHQ4/A, QH2, QKA4, QKA4/A, QL2, QMED, QMED/A, QME8, QME8/A, QMH, QMH/A, QMT2, QMT2/A, QMX2, QNE, QNE2, QNE2/A, QNE6, QNE9, QNE9/A, QNR2, QNR2/A, QNR6, QNR6/A, QN18, QP, QP/A, QPE2, QT, QT/A, QTC2, QTC2/A, QWH2, QWH2/A, QX, QX/A, QXB, QXB/A, QXB7, QXB7/A, QXC, QXC/A, QXC4, QXC4/A, QXC6, QXC6/A, QXC9, QXC9/A, QXE, QXE/A, QXEB, QXE2, QXE4, QXE4/A, QXE6, QXE6/A, QXE8, QXE8/A, QXQ4, QXQ4/A, QXU, QXU/A, QX2, SE, SE/A, SH, SH/A, SHB1, SHB3, SHB3/A, SHE, SHEZ, SHQ4, SHQ4/A, SHT, SJ, SJ/A, SJG, SJG/A, SKE, SKE/A, SKZ, SKZ/A, SME0, SME0/A, SME2, SMX2, SMX2/A, STJ, STJ/A, STP, STP/A, STQ, STQ/A, STR, STR/A, SWX, SWX/A, SX, SX/A, SXB, SXB/A, SXB7, SXB7/A, SXE, SXE/A, SXEB, SXEB/A, SXE2, SXE4, SXE4/A, SXE8, SXE8/A, SXP, SXQ4, SXQ4/A, SXU, SXU/A, VA, VAA, VAAE, VAD2, VAD2/A, VAH1, VAH2, VAW1, VA2, VA2/A, VC2, VC2/A, VDE, VDE2, VDE2/A, VD16, VE, VEB6, VH, VHE, VH12, VH12/A, VH22, VH22/A, VMQ, VMT, VMT/A, VMX, VNG, VNG1, VNG2, VSH7, VTE2, VVA, VVA2, VVC, VVC2, VVC2/A, VME, VME2, VME2/A, VWS2, VWS2/A, VW12, VW12/A, VX, VX/A, VXA, VXB, VXB/A, VXB2, VXB7, VXB7/A, VXE, VXE/A, VXE8, VXE8/A, VXE2, VXE2/A, VXE4, VXE4, VXE7, VXE7/A, VXE8, VXE8/A, VXG, VXX, VXQ4, VXQ4/A, VXU, VXU/A, VXU1, VXU1/A, VX16, VX16/A, VX8, VX8/A, YJ |

| Ref. No. | Part No. | Description | Reqd. QTY | | | Serial No. | Parts catalogue code |
|----------|---------------|------------------------|-----------|-----|-----|------------|---|
| | | | (1) | (2) | (3) | | |
| (8) | 28444-ZE2-W01 | RETAINER, SPRING | - | (1) | 1 | | |
| 10 | 28461-ZE2-W01 | GRIP, STARTER | 1 | (1) | - | 2935312 | BJ, EDE2, EDN, EDN2, EDN5, EDS, EDS1, EDS2, EDS3, EDS6, EDT, EDT1, EDT2, EDT6, ED6, ED7, ED8, ED9, EMT, EN, ENT, EN6, ES, ES1, ES3, ES4, ET, ETS, ETX, HA, HAQ, HA2, HH, HX, HX2, HX26, LH, LHB1, LHB3, LHC, LHE, LHQ4, LHW, LJ, LJG, LJS, LP, LSX, LT, LX, LXE, LXE2, LXE4, LXE6, LXE8, LXQ4, LXU, LXZ, LX2, LX26, L1, PKT2, PKT4, PKX4, PX, PXE8, P1, QA, QAB2, QAC2, QAE, QAE2, QAE6, QAG, QAH2, QAP, QAPE, QAP2, QAQ, QA2, QA26, QDW9, QE, QH, QHB3, QHC, QHE, QHP1, QHQ4, QH2, QKA4, QL2, QME0, QME8, QMH, QMT2, QMX2, QNE, QNE2, QNE6, QNE9, QNR2, QNR6, QN18, QP, QPE2, QT, QTC2, QWH2, QX, QXB, QXB7, QXC, QXC4, QXC6, QXC9, QXE, QXE6, QXE2, QXE4, QXE8, QXQ4, QXU, QX2, Q1, SE, SH, SHB1, SHB3, SHE, SHEZ, SHQ4, SHT, SJ, SJG, SKE, SKZ, SME0, SME2, SMX2, STJ, STP, STQ, STR, SWX, SX, SXB, SXB7, SXE, SXEB, SXE2, SXE4, SXE8, SXP, SXQ4, SXU, S1, VA, VAA, VAAE, VAD2, VAH1, VAH2, VAW1, VA2, VC2, VDE, VDE2, VD16, VE, VEB6, VH, VHE, VH12, VH22, VMT, VMX, VNG, VNG1, VNG2, VTE2, VWA, VWA2, VWC2, VWE2, VWS2, VW12, VX, VXA, VXB, VXB2, VXB7, VXE, VXEB, VXE2, VXE4, VXE6, VXE7, VXE8, VXG, VXQ4, VXU, VXU1, VX16, VX8, V1, YJ |
| | 28461-ZE2-W02 | | - | - | 1 | | |
| | | | 1 | (1) | - | 2935313 | EDE2/A, EDK, EDN2/A, EDN5/A, EDS1/A, EDS2/A, EDS4, EDS6/A, EDT/A, EDT1/A, EDT3, EDT6/A, ED6/A, ED8/A, ED9/A, EMT/A, ENT/A, ENT2, EN6/A, ES1/A, ES3/A, ES4/A, HA2/A, HX26/A, LH/A, LHB3/A, LHB5, LHE/A, LHQ4/A, LJ/A, LJG/A, LJS/A, LJS1, LT/A, LX/A, LXE/A, LXE2/A, LXE4/A, LXE8/A, LXQ4/A, LXU/A, LX2/A, LX26/A, L1/A, PKT2/A, PKT4/A, PKX2, PKX4/A, PX/A, PXA2, PXE8/A, P1/A, QAB2/A, QAC2/A, QAE2/A, QAE6/A, QAG/A, QAH2/A, QAP2/A, QA2/A, QA26/A, QDW9/A, QE/A, QH/A, QHB3/A, QHB5, QHE/A, QHP1/A, QHQ4/A, QKA4/A, QME0/A, QME8/A, QMH/A, QMT2/A, QNE2/A, QNE9/A, QNR2/A, QNR6/A, QP/A, QT/A, QTC2/A, QWH2/A, QX/A, QXB/A, QXB7/A, QXC/A, QXC4/A, QXC6/A, QXC9/A, QXE/A, QXE4/A, QXE6/A, QXE8/A, QXQ4/A, QXU/A, Q1/A, SE/A, SH/A, SHB3/A, SHQ4/A, SJ/A, SJG/A, SKE/A, SKZ/A, SME0/A, SMX2/A, STJ/A, STP/A, STQ/A, STR/A, SWX/A, SX/A, SXB/A, SXB7/A, SXE/A, SXEB/A, SXE4/A, SXE8/A, SXQ4/A, SXU/A, S1/A, VAD2/A, VA2/A, VC2/A, VDE2/A, VH12/A, VH22/A, VMQ, VMT/A, VSH7, VWC, VWC2/A, VWE, VWE2/A, VWS2/A, VW12/A, VX/A, VXB/A, VXB7/A, VXE/A, VXEB/A, VXE2/A, VXE7/A, VXE8/A, VXX, VXQ4/A, VXU/A, VXU1/A, VX16/A, VX8/A |
| | | | 1 | (1) | - | 2935313 | BJ, EDE2, EDN, EDN2, EDN5, EDS, EDS1, EDS2, EDS3, EDS6, EDT, EDT1, EDT2, EDT6, ED6, ED7, ED8, ED9, EMT, EN, ENT, EN6, ES, ES1, ES3, ES4, ET, ETS, ETX, HA, HAQ, HA2, HH, HX, HX2, HX26, LH, LHB1, LHB3, LHC, LHE, LHQ4, LHW, LJ, LJG, LJS, LP, LSX, LT, LX, LXE, LXE2, LXE4, LXE6, LXE8, LXQ4, LXU, LXZ, LX2, LX26, L1, PKT2, PKT4, PKX4, PX, PXE8, P1, QA, QAB2, QAC2, QAE, QAE2, QAE6, QAG, QAH2, QAP, QAPE, QAP2, QAQ, QA2, QA26, QDW9, QE, QH, QHB3, QHC, QHE, QHP1, QHQ4, QH2, QKA4, QL2, QME0, QME8, QMH, QMT2, QMX2, QNE, QNE2, QNE6, QNE9, QNR2, QNR6, QN18, QP, QPE2, QT, QTC2, QWH2, QX, QXB, QXB7, QXC, QXC4, QXC6, QXC9, QXE, QXE6, QXE2, QXE4, QXE8, QXQ4, QXU, QX2, Q1, SE, SH, SHB1, SHB3, SHE, SHEZ, SHQ4, SHT, SJ, SJG, SKE, SKZ, SME0, SME2, SMX2, STJ, STP, STQ, STR, SWX, SX, SXB, SXB7, SXE, SXEB, SXE2, SXE4, SXE8, SXP, SXQ4, SXU, S1, VA, VAA, VAAE, VAD2, VAH1, VAH2, VAW1, VA2, VC2, VDE, VDE2, VD16, VE, VEB6, VH, VHE, VH12, VH22, VMT, VMX, VNG, VNG1, VNG2, VTE2, VWA, VWA2, VWC2, VWE2, VWS2, VW12, VX, VXA, VXB, VXB2, VXB7, VXE, VXEB, VXE2, VXE4, VXE6, VXE7, VXE8, VXG, VXQ4, VXU, VXU1, VX16, VX8, V1, YJ |





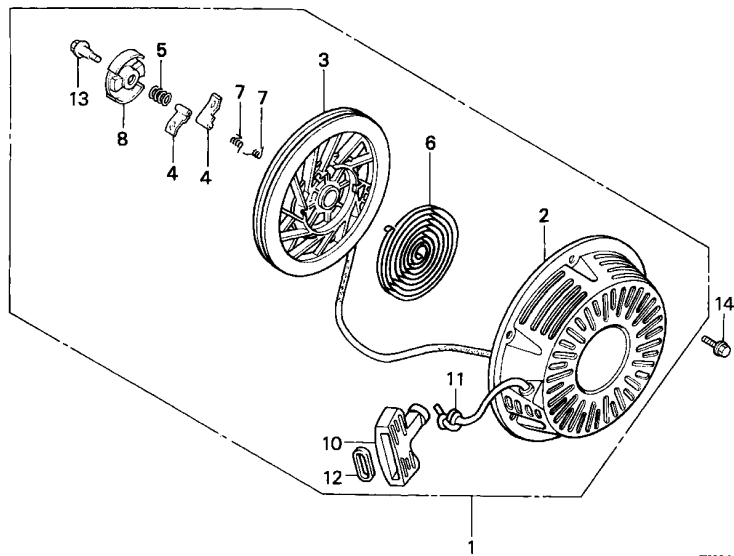
ZK30-E1100



| Ref. No. | Part No. | Description | Reqd. QTY | | | Serial No. | Parts catalogue code |
|----------|---------------|----------------------------|-----------|-----|-----|------------|--|
| | | | GX | (1) | (2) | | |
| 11 | 28462-ZE3-W01 | ROPE, RECOIL STARTER | 1 | - | - | ----- | BJ, EDE2, EDE2/A, EDK, EDN, EDN2, EDN2/A, EDN5, EDN5/A, EDS, EDS1, EDS1/A, EDS2, EDS2/A, EDS3, EDS4, EDS6, EDS6/A, EDT, EDT/A, EDT1, EDT1/A, EDT2, EDT3, EDT6, EDT6/A, ED6, ED6/A, ED7, ED8, ED8/A, ED9, ED9/A, EMT, EMT/A, EN, ENT, ENT/A, ENT2, EN6, EN6/A, ES, ES1, ES1/A, ES3, ES3/A, ES4, ES4/A, ET, ETS, ETX, HA, HAQ, HA2, HA2/A, HH, HX, HX2, HX26, HX26/A, LH, LH/A, LHB1, LHB3, LHB3/A, LHB5, LHC, LHE, LHE/A, LHQ4, LHQ4/A, LHW, LJ, LJ/A, LJG, LJG/A, LJS, LJS/A, LJS1, LP, LSX, LT, LT/A, LX, LX/A, LXE, LXE/A, LXE2, LXE2/A, LXE4, LXE4/A, LXE6, LXE8, LXE8/A, LXQ4, LXQ4/A, LXU, LXU/A, LXZ, LXZ, LX2, LX2/A, LX26, LX26/A, PKT2, PKT2/A, PKT4, PKT4/A, PKX2, PKX4, PKX4/A, PX, PX/A, PXA2, PXE8, PXE8/A, QA, QAB2, QAB2/A, QAC2, QAC2/A, QAE, QAE2, QAE2/A, QAE6, QAE6/A, QAG, QAG/A, QAH2, QAH2/A, QAP, QAPE, QAP2, QAP2/A, QAQ, QA2, QA2/A, QA26, QA26/A, QDW9, QDW9/A, QE, QE/A, QH, QH/A, QHB3, QHB3/A, QHB5, QHC, QHE, QHE/A, QHP1, QHP1/A, QHQ4, QHQ4/A, QH2, QKA4, QKA4/A, QL2, QMED, QMED/A, QME8, QME8/A, QMH, QMH/A, QMT2, QMT2/A, QMX2, QNE, QNE2, QNE2/A, QNE6, QNE9, QNE9/A, QNR2, QNR2/A, QNR6, QNR6/A, QN18, QP, QP/A, QPE2, QT, QT/A, QTC2, QTC2/A, QWH2, QWH2/A, QX, QX/A, QXB, QXB/A, QXB7, QXB7/A, QXC, QXC/A, QXC4, QXC4/A, QXC6, QXC6/A, QXC9, QXC9/A, QXE, QXE/A, QXEB, QXE2, QXE4, QXE4/A, QXE6, QXE6/A, QXE8, QXE8/A, QXQ4, QXQ4/A, QXU, QXU/A, QX2, SE, SE/A, SH, SH/A, SHB1, SHB3, SHB3/A, SHE, SHEZ, SHQ4, SHQ4/A, SHT, SJ, SJ/A, SJG, SJG/A, SKE, SKE/A, SKZ, SKZ/A, SME0, SME0/A, SME2, SMX2, SMX2/A, STJ, STJ/A, STP, STP/A, STQ, STQ/A, STR, STR/A, SWX, SWX/A, SX, SX/A, SXB, SXB/A, SXB7, SXB7/A, SXE, SXE/A, SXEB, SXEB/A, SXE2, SXE4, SXE4/A, SXE8, SXE8/A, SXP, SXQ4, SXQ4/A, SXU, SXU/A, VA, VAA, VAAE, VAD2, VAD2/A, VAH1, VAH2, VAW1, VA2, VA2/A, VC2, VC2/A, VDE, VDE2, VDE2/A, VD16, VE, VEB6, VH, VHE, VH12, VH12/A, VH22, VH22/A, VMQ, VMT, VMT/A, VMX, VNG, VNG1, VNG2, VSH7, VTE2, VVA, VVA2, VVC, VVC2, VVC2/A, VME, VME2, VME2/A, VWS2, VWS2/A, VW12, VW12/A, VX, VX/A, VXA, VXB, VXB/A, VXB2, VXB7, VXB7/A, VXE, VXE/A, VXE8, VXE8/A, VXE2, VXE2/A, VXE4, VXE4/A, VXE6, VXE6/A, VXE7, VXE7/A, VXE8, VXE8/A, VXG, VXX, VXQ4, VXQ4/A, VXU, VXU/A, VXU1, VXU1/A, VX16, VX16/A, VX8, VX8/A, YJ |

| Ref. No. | Part No. | Description | Reqd. QTY | | | Serial No. | Parts catalogue code |
|----------|----------------|----------------------------|-----------|-----|-----|---------------|--|
| | | | (1) | (2) | (3) | | |
| 11) | 28462-ZE3-W01 | ROPE, RECOIL STARTER | - | (1) | 1 | | |
| 12 | 28469-ZE2-W01 | GRIP, REINFORCEMENT | 1 | (1) | - | ----- 2935312 | BJ, EDE2, EDN, EDN2, EDN5, EDS, EDS1, EDS2, EDS3, EDT1, EDT2, ED6, ED7, ED8, ED9, EN, ES, ES1, ES3, ES4, ET, ETS, ETX, HA, HAQ, HA2, HH, HX, HX2, HX26, LH, LHB1, LHB3, LHC, LHE, LHQ4, LHW, LJ, LJG, LP, LSX, LX, LXE, LXE2, LXE4, LXE6, LXE8, LXQ4, LXU, LXZ, LX2, LX26, L1, PKT2, PKT4, PKX4, PX, PXE8, P1, QA, QAE, QAE2, QAE6, QAH2, QAP, QAPE, QAP2, QAA, QA2, QA26, QDW9, QE, QH, QHB3, QHC, QHE, QHP1, QHQ4, QH2, QKA4, QMEO, QME8, QMH, QMT2, QMX2, QNE, QNE2, QNE6, QNE9, QNR2, QNR6, QN18, QP, QPE2, QT, QTC2, QX, QXB, QXC, QXC4, QXC6, QXC9, QXE, QXEB, QXE2, QXE4, QXE6, QXE8, QXQ4, QXU, QX2, Q1, SE, SH, SHB1, SHB3, SHE, SHEZ, SHQ4, SHT, SJ, SJG, SKE, SKZ, SMEO, SME2, SMX2, STJ, STP, STQ, STR, SWX, SX, SXB, SXE, SXEB, SXE2, SXE4, SXE8, SXP, SXQ4, SXU, S1, VA, VAA, VAAE, VAD2, VAH1, VAH2, VAW1, VA2, VDE, VDE2, VD16, VE, VEB6, VH, VHE, VH12, VH22, VMX, VNG, VNG1, VNG2, VTE2, VWA, VWA2, VWC2, VWE2, VWS2, VW12, VX, VXA, VXB, VXB2, VXE, VXEB, VXE2, VXE4, VXE6, VXE8, VXG, VXQ4, VXU, VXU1, VX16, VX8, V1, YJ |
| 13 | 90004-ZE2-W01 | SCREW, CENTER | 1 | - | 1 | ----- | BJ, EDE2, EDE2/A, EDK, EDN, EDN2, EDN2/A, EDN5, EDN5/A, EDS, EDS1, EDS1/A, EDS2, EDS2/A, EDS3, EDS4, EDS6, EDS6/A, EDT, EDT/A, EDT1, EDT1/A, EDT2, EDT3, EDT6, EDT6/A, ED6, ED6/A, ED7, ED8, ED8/A, ED9, ED9/A, EMT, EMT/A, EN, ENT, ENT/A, ENT2, EN6, EN6/A, ES, ES1, ES1/A, ES3, ES3/A, ES4, ES4/A, ET, ETS, ETX, HA, HAQ, HA2, HA2/A, HH, HX, HX2, HX26, HX26/A, LH, LH/A, LHB1, LHB3, LHB3/A, LHB5, LHC, LHE, LHE/A, LHQ4, LHQ4/A, LHW, LJ, LJ/A, LJG, LJG/A, LJS, LJS/A, LJS1, LP, LSX, LT, LT/A, LX, LX/A, LXE, LXE/A, LXE2, LXE2/A, LXE4, LXE4/A, LXE6, LXE8, LXE8/A, LXQ4, LXQ4/A, LXU, LXU/A, LXZ, LX2, LX2/A, LX26, LX26/A, PKT2, PKT2/A, PKT4, PKT4/A, PKX2, PKX4, PKX4/A, PX, PX/A, PXA2, PXE8, PXE8/A, QA, QAB2, QAB2/A, QAC2, QAC2/A, QAE, QAE2, QAE2/A, QAG, QAG/A, QAG/A, QAH2, QAH2/A, QAP, QAPE, QAP2, QAP2/A, QAA, QA2, QA2/A, QA26, QA26/A, QDW9, QDW9/A, QE, QE/A, QH, QH/A, QHB3, QHB3/A, QHB5, QHC, QHE, QHE/A, QHP1, QHP1/A, QHQ4, QHQ4/A, QH2, QKA4, QKA4/A, QL2, QMEO, QMEO/A, QME8, QME8/A, QMH, QMH/A, QMT2, QMT2/A, QMX2, QNE, QNE2, QNE2/A, QNE6, QNE9, QNE9/A, QNR2, QNR2/A, QNR6, QNR6/A, QN18, QP, QP/A, QPE2, QT, QT/A, QTC2, QTC2/A, QWH2, QWH2/A, QX, QX/A, QXB, QXB/A, QXB7, QXB7/A, QXC, QXC/A, QXC4, QXC4/A, QXC6, QXC6/A, QXC9, QXC9/A, QXE, QXE/A, QXEB, QXE2, QXE4, QXE4/A, QXE6, QXE6/A, QXE8, QXE8/A, QXQ4, QXQ4/A, QXU, QXU/A, QX2, SE, SE/A, SH, SH/A, SHB1, SHB3, SHB3/A, SHE, SHEZ, SHQ4, SHQ4/A, SHT, SJ, SJ/A, SJG, SJG/A, SKE, SKE/A, SKZ, SKZ/A, SMEO, SMEO/A, SME2, SMX2, SMX2/A, STJ, STJ/A, STP, STP/A, STQ, STQ/A, STR, STR/A, SWX, SWX/A, SX, SX/A, SXB, SXB/A, SXB7, SXB7/A, SXE, SXE/A, SXEB, SXEB/A, SXE2, SXE4, SXE4/A, SXE8, SXE8/A, SXP, SXQ4, SXQ4/A, SXU, SXU/A, VA, VAA, VAAE, VAD2, VAD2/A, VAH1, VAH2, VAW1, VA2, VA2/A, VVC2, VVC2/A, VDE, VDE2, VDE2/A, VD16, VE, VEB6, VH, VHE, VH12, VH12/A, VH22, VH22/A, VMQ, VMT, VMT/A, VMX, VNG, VNG1, VNG2, VSH7, VTE2, VWA, VWA2, VWC, VWC2, VWC2/A, VWE, VWE2, VWE2/A, VWS2, VWS2/A, VW12, VW12/A, VX, VX/A, VXA, VXB, VXB/A, VXB2, VXB7, VXB7/A, VXE, VXE/A, VXEB, VXEB/A, VXE2, VXE2/A, VXE4, VXE6, VXE7, VXE7/A, VXE8, VXE8/A, VXG, VXX, VXQ4, VXQ4/A, VXU, VXU/A, VXU1, VXU1/A, VX16, VX16/A, VX8, VX8/A, YJ |
| 14 | 95701-06008-00 | BOLT, FLANGE, 6X8 | - | (1) | 1 | ----- | BJ, EDN, EDS, EDS3, EDT2, ED7, EN, ES, ET, ETS, ETX, HA, HAQ, HH, HX, HX2, LHB1, LHC, LHW, LP, LSX, LXE6, LXZ, QA, QAE, QAP, QAPE, QAA, QHC, QH2, QMX2, QNE, QNE6, QN18, QPE2, QXEB, QXE2, QX2, SHE, SHEZ, SHT, SME2, SXE2, SXP, VA, VAA, VAAE, VAH1, VAH2, VAW1, VDE, VD16, VE, VEB6, VH, VHE, VMX, VNG, VNG1, VNG2, VTE2, VWA, VWA2, VXA, VXB2, VXE4, VXE6, VXG, V1, YJ |

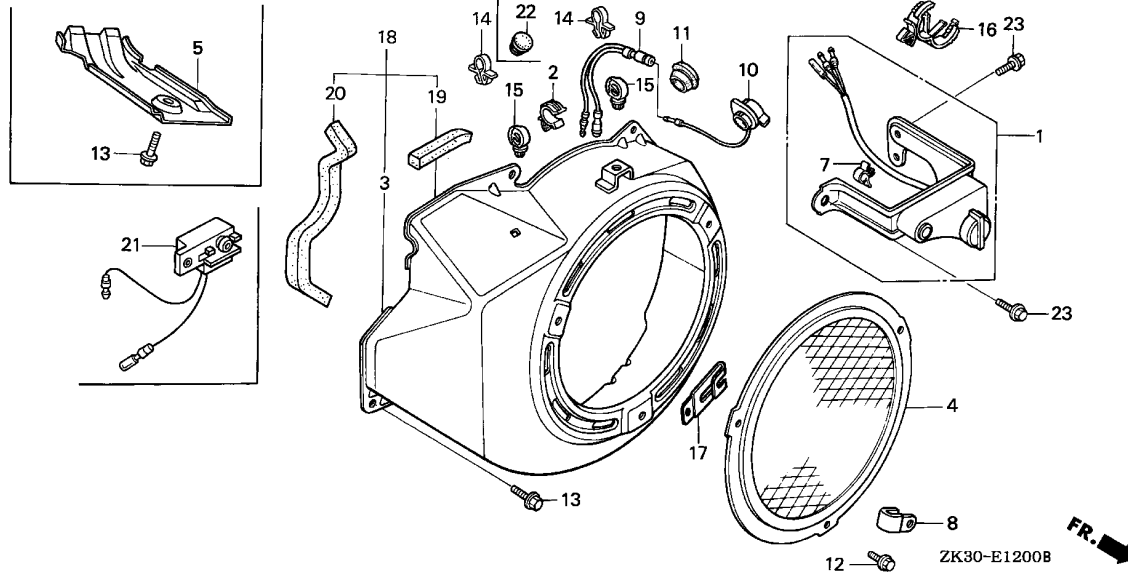




ZK30-E1100



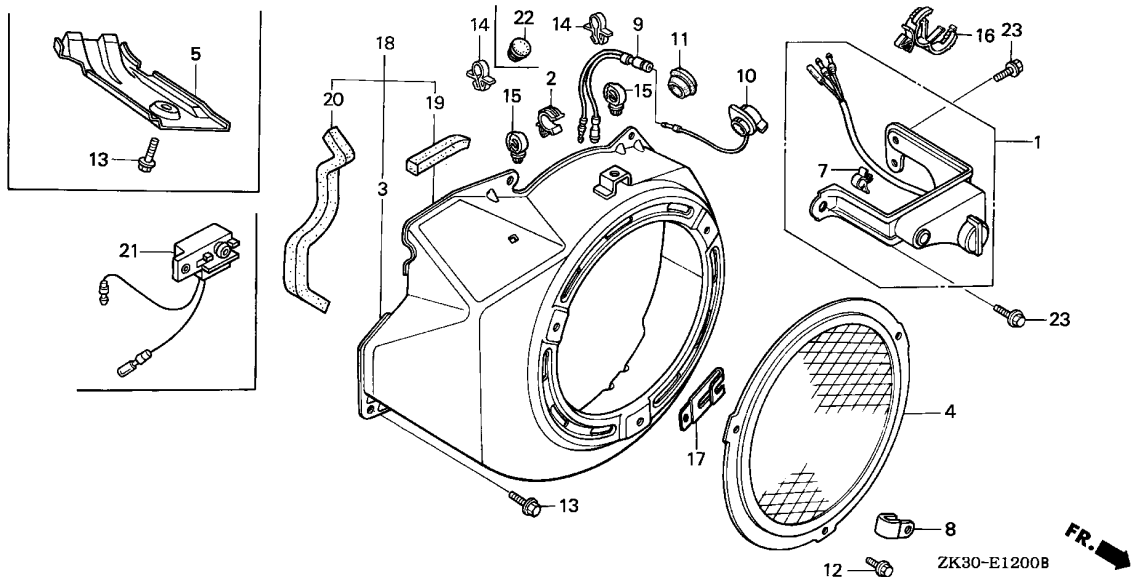
| Ref. No. | Part No. | Description | Reqd. QTY | | | Serial No. | Parts catalogue code |
|----------|---------------|--------------------|-----------|-----|-----|------------|---|
| | | | GX | (1) | (2) | | |
| 14) | 90008-ZE2-003 | BOLT, FLANGE, 6X10 | 3 | (3) | - | ----- | EDE2,EDE2/A,EDK,EDN2,EDN2/A,EDN5,EDN5/A,EDS1,EDS1/A,EDS2,EDS2/A,EDS4,EDS6,EDS6/A,EDT,EDT/A,EDT1,EDT1/A,EDT3,EDT6,EDT6/A,ED6,ED6/A,ED8,ED8/A,ED9,ED9/A,EMT,EMT/A,ENT,ENT/A,ENT2,EN6,EN6/A,ES1,ES1/A,ES3,ES3/A,ES4,ES4/A,HA2,HA2/A,HX26,HX26/A,LH,LH/A,LHB3,LHB3/A,LHB5,LHE,LHE/A,LHQ4,LHQ4/A,LJ,LJ/A,LJG,LJG/A,LJS,LJS/A,LJS1,LT,LT/A,LX,LX/A,LXE,LXE/A,LXE2,LXE2/A,LXE4,LXE4/A,LXE8,LXE8/A,LXQ4,LXQ4/A,LXU,LXU/A,LX2,LX2/A,LX26,LX26/A,L1,L1/A,PKT2,PKT2/A,PKT4,PKT4/A,PKX2,PKX4,PKX4/A,PX,PX/A,PXA2,PXE8,PXE8/A,P1,P1/A,QAB2,QAB2/A,QAC2,QAC2/A,QAE2,QAE2/A,QAE6,QAE6/A,QAG,QAG/A,QA2,QA2/A,QA26,QA26/A,QDW9,QDW9/A,QE,QE/A,QH,QH/A,QHB3,QHB3/A,QHB5,QHE,QHE/A,QHP1,QHP1/A,QHQ4,QHQ4/A,QKA4,QKA4/A,QL2,QMEO,QMEO/A,QME8,QME8/A,QMH,QMH/A,QMT2,QMT2/A,QNE2,QNE2/A,QNE9,QNE9/A,QNR2,QNR2/A,QNR6,QNR6/A,QP,QP/A,QT,QT/A,QTC2,QTC2/A,QWH2,QWH2/A,QX,QX/A,QXB,QXB/A,QXB7,QXB7/A,QXC,QXC/A,QXC4,QXC4/A,QXC6,QXC6/A,QXC9,QXC9/A,QXE,QXE/A,QXE4,QXE4/A,QXE6,QXE6/A,QXE8,QXE8/A,QXQ4,QXQ4/A,QXU,QXU/A,Q1,Q1/A,SE,SE/A,SH,SH/A,SHB1,SHB3,SHB3/A,SHQ4,SHQ4/A,SJ,SJ/A,SJG,SJG/A,SKE,SKE/A,SKZ,SKZ/A,SMEO,SMEO/A,SMX2,SMX2/A,STJ,STJ/A,STP,STP/A,STQ,STQ/A,STR,STR/A,SWX,SWX/A,SX,SX/A,SXB,SXB/A,SXB7,SXB7/A,SXE,SXE/A,SXEB,SXEB/A,SXE4,SXE4/A,SXE8,SXE8/A,SXQ4,SXQ4/A,SXU,SXU/A,S1,S1/A,VAD2,VAD2/A,VA2,VA2/A,VC2,VC2/A,VDE2,VDE2/A,VH12,VH12/A,VH22,VH22/A,VMQ,VMT,VMT/A,VSH7,VMC,VMC2,VMC2/A,VME,VME2,VME2/A,VMS2,VMS2/A,VW12,VW12/A,VX,VX/A,VXB,VXB/A,VXB7,VXB7/A,VXE,VXE/A,VXE4,VXE4/A,VXE6,VXE6/A,VXE7,VXE7/A,VXE8,VXE8/A,VXK,VXQ4,VXQ4/A,VXU,VXU/A,VXU1,VXU1/A,VX16,VX16/A,VX8,VX8/A |
| | | | - | - | 3 | | |



| Ref. No. | L.O.N. | (Relative ref. Number) Description | F.R.T. |
|----------|--------|------------------------------------|--------|
| 1 | 6151C6 | SWITCH, OIL ALERT UNIT | 0.1 |
| 4 | 4141C9 | PROTECTOR, FAN COVER | 0.1 |
| 9 | 6111A3 | CORD, ENGINE STOP SWITCH | 0.1 |
| 10 | 6151D9 | SWITCH, ENGINE STOP | 0.2 |
| 18 | | (3) | |
| | 1141G8 | COVER, ENGINE COOLING FAN | 0.2 |

| Ref. No. | Part No. | Description | Reqd. QTY | | | Serial No. | Parts catalogue code |
|----------|---------------|-----------------------|-----------|-----|-----|---|----------------------|
| | | | GX | (1) | (2) | | |
| 1 | 15520-ZE2-003 | ALERT UNIT, OIL | 1 | (1) | - | 2143683 ES1,HA,HX,LX,LXZ,L1,PX,P1,QA,QAP,QX,QXB,QXC,Q1,SWX,SX,SXB,SXP,S1 VA,VAA,VAH1,VNG,VNG1,VX,VXA,VXB,V1 | |

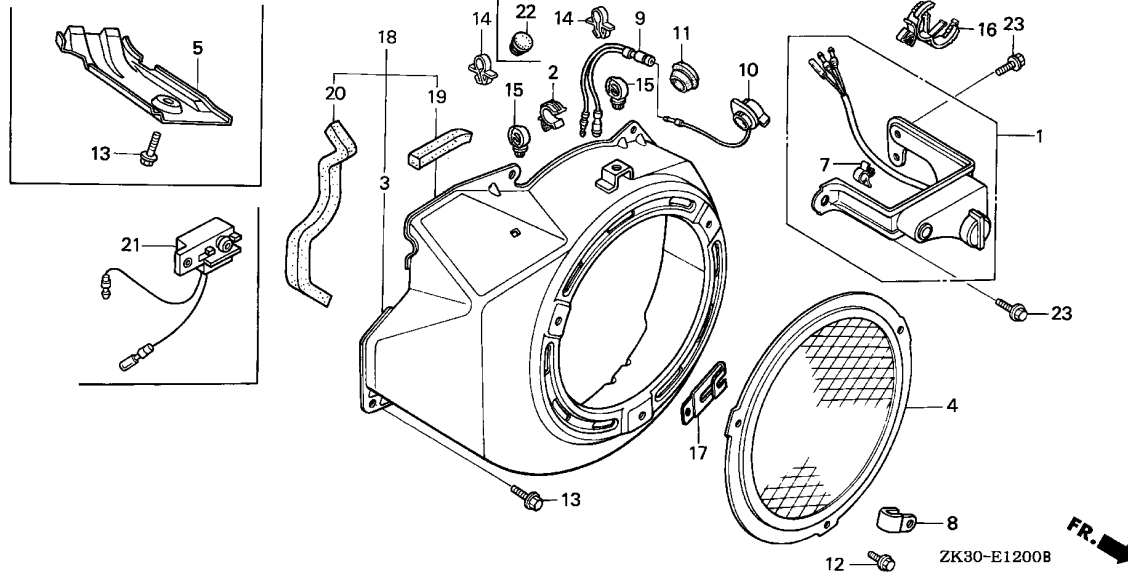




| Ref. No. | Part No. | Description | Reqd. QTY | | | Serial No. | Parts catalogue code | | | | | |
|----------|---------------|------------------|-----------|-------|-----|------------|--|---|---|---|---------------|----------------|
| | | | GX | 340K1 | | | | | | | | |
| | | | (1) | (2) | (3) | | | | | | | |
| 2 | 16731-ZE2-003 | CLIP, TUBE | 1 | - | - | ----- | BJ,EDK,EDN5,EDN5/A,ED7,ED8,ED8/A,ED9,ED9/A,EN,ES,ES1,ES1/A,ES2,ETS,ETX,HA,HAQ,HA2,HA2/A,HH,HX,HX2,HX26,HX26/A,LH,LH/A,LHB1,LHB3,LHB3/A,LHB5,LHC,LHE,LHE/A,LHQ4,LHQ4/A,LHW,LJ,LJ/A,LJG,LJG/A,LJS,LJS/A,LJS1,LKE,LKE/A,LP,LSX,LT,LT/A,LWD,LWD1,LWD1/A,LX,LX/A,LXE,LXE/A,LXE2,LXE2/A,LXE4,LXE4/A,LXE6,LXE8,LXE8/A,LXQ4,LXQ4/A,LXU,LXU/A,LXZ,LX2,LX2/A,LX26,LX26/A,PKT2,PKT2/A,PKT4,PKT4/A,PKX2,PKX4,PKX4/A,PX,PX/A,PXA2,PXE8,PXE8/A,QA,QAB2,QAB2/A,QAC2,QAC2/A,QAE,QAE2,QAE2/A,QAE6,QAE6/A,QAG,QAG/A,QA2,QA2/A,QAP,QAPE,QAPE2,QAP2/QAP2/A,QAQ,QA2,QA2/A,QA26,QA26/A,QDW9,QDW9/A,QE,QE/A,QH,QH/A,QHB3,QHB3/A,QHB5,QHC,QHE,QHE/A,QHP1,QHP1/A,QHQ4,QHQ4/A,QH2,QKA4,QKA4/A,QL2,QMEO,QMEO/A,QME8,QME8/A,QMH,QMH/A,QMT2,QMT2/A,QMX2,QNE,QNE2,QNE2/A,QNE6,QNE9,QNE9/A,QNR2,QNR2/A,QNR6,QNR6/A,QN18,QP,QP/A,QPE2,QT,QT/A,QTC2,QTC2/A,QWH2,QWH2/A,QX,QX/A,QXB,QXB/A,QXB7,QXB7/A,QXC,QXC/A,QXC4,QXC4/A,QXC6,QXC6/A,QXC9,QXC9/A,QXE,QXE/A,QXE6,QXE6/A,QXE8,QXE8/A,QXQ4,QXQ4/A,QXU,QXU/A,QX2,SDE,SE,SE/A,SH,SH/A,SHB1,SHB3,SHB3/A,SHE,SHEZ,SHQ4,SHQ4/A,SHT,SJ,SJ/A,SJG,SJG/A,SKE,SKE/A,SKZ,SKZ/A,SME0,SME0/A,SME2,SMX2,SMX2/A,STJ,STJ/A,STP,STP/A,STQ,STQ/A,STR,STR/A,SWX,SWX/A,SX,SX/A,SXB,SXB/A,SXB7,SXB7/A,SXE,SXE/A,SXEB,SXEB/A,SXE2,SXE4,SXE4/A,SXE8,SXE8/A,SXP,SXQ4,SXQ4/A,SXU,SXU/A,VA,VA,VAE,VAD2,VAD2/A,VAH1,VAH1,VAH2,VAH2/A,VC2,VC2/A,VDE,VDE2,VDE2/A,VD16,VE,VEB6,VH,VHE,VH12,VH12/A,VH22,VH22/A,VMX,VNG,VNG1,VNG2,VSH7,VWC,VWC2/A,VME,VME2,VME2/A,VWS2/A,VW12,VW12/A,VX,VX/A,VXA,VXB,VXB/A,VXB2,VXB7,VXB7/A,VXE,VXE/A,VXEB,VXEB/A,VXE2,VXE2/A,VXE4,VXE6,VXE7,VXE7/A,VXE8,VXE8/A,VXG,VXK,VXQ4,VXQ4/A,VXU,VXU/A,VXU1,VXU1/A,VX16,VX16/A,VX8,VX8/A,YJ | 1 | - | - | 2481978 ----- | VWA2,VWC2,VWS2 |
| | | | - | 1 | - | | | | | | | |

| Ref. No. | Part No. | Description | Reqd. QTY | | | Serial No. | Parts catalogue code |
|----------|-----------------|---------------------------------|--------------------|-----|-----|------------|--|
| | | | GX 340K1 (1) | (2) | (3) | | |
| 3 | 19610-ZE3-000ZA | COVER COMP., FAN | | | | | |
| | *R8* |BRIGHT RED | 1 | (1) | - | 2177363 | BJ, ED7, ED8, ED9, EN, ES, ES1, ET, ETS, ETX, HA, HH, HX, LH, LHC, LHE, LJ, LKE, LP LX, LXE, LXZ, L1, PX, P1, QA, QAE, QAP, QAPE, QE, QH, QHC, QHE, QNE, QP, QT, QX QXC, QXE, Q1, SE, SH, SHE, SHEZ, SJ, STJ, STP, STQ, SWX, SX, SXE, SXP, S1, VA VAH1, VAH2, VE, VH, VHE, VX, VXA, VXE, V1, YJ |
| | 19610-ZE3-010ZA | *R8*.....BRIGHT RED | 1 | (1) | - | | HAQ, HA2, HX2, HX26, LHB1, LHB3, LHQ4, LHW, LJG, LJS, LSX, LT, LXE2, LXE4, LXE6 LXE8, LXQ4, LXU, LX2, LX26, L1/A, PKT2, PKT4, PKX4, PXE8, P1/A, QAB2, QAC2 QAE2, QAE6, QAG, QAH2, QAP2, QAQ, QA2, QA26, QHB3, QHP1, QHQ4, QH2, QKA4, QMEO QME8, QMH, QMT2, QMX2, QNE2, QNE6, QNE9, QNR2, QNR6, QN18, QTC2, QXC4, QXC6 QXC9, QXE2, QXE4, QXE6, QXE8, QXQ4, QXU, Q1/A, SDE, SHB1, SHB3, SHQ4, SHT, SJG SKE, SKZ, SME0, SME2, SMX2, STR, SXE2, SXE4, SXE8, SXQ4, SXU, S1/A, VAD2, VA2 VC2, VDE, VDE2, VH12, VH22, VMX, VWA, VW12, VXE2, VXE4, VXE6, VXE8, VXQ4, VXU VXU1, VX16, VX8 |
| | | | 1 | (1) | - | 2177364 | BJ, ED7, ED8, ED9, EN, ES, ES1, ET, ETS, ETX, HA, HH, HX, LH, LHC, LHE, LJ, LKE, LP LX, LXE, LXZ, L1, PX, P1, QA, QAE, QAP, QAPE, QE, QH, QHC, QHE, QNE, QP, QT, QX QXC, QXE, Q1, SE, SH, SHE, SHEZ, SJ, STJ, STP, STQ, SWX, SX, SXE, SXP, S1, VA VAH1, VAH2, VE, VH, VHE, VX, VXA, VXE, V1, YJ |
| | | | 1 | - | - | 3658029 | PKX2 |
| | | | 1 | - | - | 3662093 | ED8/A, ED9/A, ES1/A, HA2/A, HX26/A, LH/A, LHB3/A, LHB5, LHE/A, LHQ4/A, LJ/A LJG/A, LJS/A, LKE/A, LT/A, LWD, LX/A, LXE/A, LXE2/A, LXE4/A, LXE8/A, LXQ4/A LXU/A, LX2/A, LX26/A, PKT2/A, PKT4/A, PKX4/A, PX/A, PXE8/A, QAB2/A, QAC2/A QAE2/A, QAE6/A, QAG/A, QAH2/A, QAP2/A, QA2/A, QA26/A, QE/A, QH/A, QHB3/A QHB5, QHE/A, QHP1/A, QHQ4/A, QKA4/A, QMEO/A, QME8/A, QMH/A, QMT2/A, QNE2/A QNE9/A, QNR2/A, QNR6/A, QP/A, QT/A, QTC2/A, QX/A, QXC/A, QXC4/A, QXC6/A QXC9/A, QXE/A, QXE4/A, QXE6/A, QXE8/A, QXQ4/A, QXU/A, SE/A, SH/A, SHB3/A SHQ4/A, SJ/A, SJG/A, SKE/A, SKZ/A, SME0/A, SMX2/A, STJ/A, STP/A, STQ/A STR/A, SWX/A, SX/A, SXE/A, SXE4/A, SXE8/A, SXQ4/A, SXU/A, VAD2/A, VA2/A VC2/A, VDE2/A, VH12/A, VH22/A, VW12/A, VX/A, VXE/A, VXE2/A, VXE8/A, VXQ4/A VXU/A, VXU1/A, VX16/A, VX8/A |
| | 19610-ZE3-010ZB | *NH1*.....BLACK | 1 | - | 1 | | EDK, EDN5, EDN5/A, ED8, ED8/A, ED9, ED9/A, QAE2, QAE2/A, QAP2, QAP2/A, QA2 QA2/A, QDW9, QDW9/A, QKA4, QKA4/A, QL2, QMEO, QMEO/A, QMT2, QMT2/A, QMX2 QNR2, QNR2/A, QPE2, QWH2, QWH2/A, QXQ4, QXQ4/A, QXU, QXU/A, QX2, SME0 SME0/A, SME2, SMX2, SMX2/A, VWC2, VWC2/A |
| | 19610-ZE3-010ZC | *T34*.....SIMPSON BLUE | 1 | - | - | | QA2, QA2/A |
| | 19610-ZE3-010ZD | *T39*.....GEKO BLUE | 1 | - | - | | VXE4 |
| | 19610-ZE3-010ZE | *T41*.....BARTELL BLUE METALLIC | 1 | - | - | | QA2, QA2/A, QA26, QA26/A |
| | 19610-ZE3-010ZG | *NH105*...MAT BLACK (#15-#20) | 1 | - | - | | VAW1, VDE2, VDE2/A, VWA2, VWC, VWC2, VWC2/A, VWE, VWE2, VWE2/A, VWS2, VWS2/A VW12, VW12/A, VXE2, VXE2/A |
| | 19610-ZE3-010ZH | *NH246*.....LOOSEY GRAY | 1 | - | - | | HAQ, QAQ, QNE9, QNE9/A |
| | 19610-ZE3-010ZJ | *Y131*.....LIGHTNING YELLOW | 1 | - | - | | ES1, ES1/A, ES2 |
| | 19610-ZE3-010ZK | *T77*.....SEC WINE RED | 1 | - | - | | ES1, ES1/A, ES2 |
| | 19610-ZE3-700ZA | *R8*.....BRIGHT RED | 1 | - | - | | EDS, EDS1, EDS3, EDS6, EDT1, EDT6, ED6, EMT, ENT, ES3, ES4, VMT, VTE2 |
| | 19610-ZE3-700ZB | *NH1*.....BLACK | 1 | - | - | 3663164 | EDS1/A, EDS6/A, EDT1/A, EDT6/A, ED6/A, EMT/A, ENT/A, ES3/A, ES4/A, VMT/A EDE2, EDE2/A, EDN, EDN2, EDN2/A, EDS1, EDS1/A, EDS2, EDS2/A, EDS4, EDS6 EDS6/A, EDT1, EDT1/A, EDT2, EDT3, EDT6, EDT6/A, ED6, ED6/A, ENT, ENT/A, ENT2 EN6, EN6/A, ES3, ES3/A, ES4, ES4/A, ZK1, ZK1/A |
| | 19610-ZE3-700ZF | *T68*.....TSURUMI BLUE | 1 | - | - | | EDT, EDT/A, ED6, ED6/A |
| | 19610-ZE3-700ZG | *Y131*.....LIGHTNING YELLOW | 1 | - | - | | EDE2, EDE2/A, ED6, ED6/A, ENT, ENT/A, ES3, ES3/A, ES4, ES4/A |
| | 19610-ZE3-700ZH | *T77*.....SEC WINE RED | 1 | - | - | | ES3, ES3/A, ES4, ES4/A |
| | 19610-ZE3-700ZJ | *T80*.....BAKELITE ORANGE | 1 | - | - | | ED6, ED6/A, ES3, ES3/A, ES4, ES4/A |
| | 19610-ZE3-W00ZA | COVER COMP., FAN (100DB) | | | | | |
| | *R8* |BRIGHT RED | 1 | - | - | 2169293 | QXB, QXEB, SXB, SXEB, VAA, VAAE, VNG, VNG1, VNG2, VXB, VXEB |
| | 19610-ZE3-W00ZB | COVER COMP., FAN | | | | | |
| | *T39* |GEKO BLUE | 1 | - | - | 2169293 | VXEB |

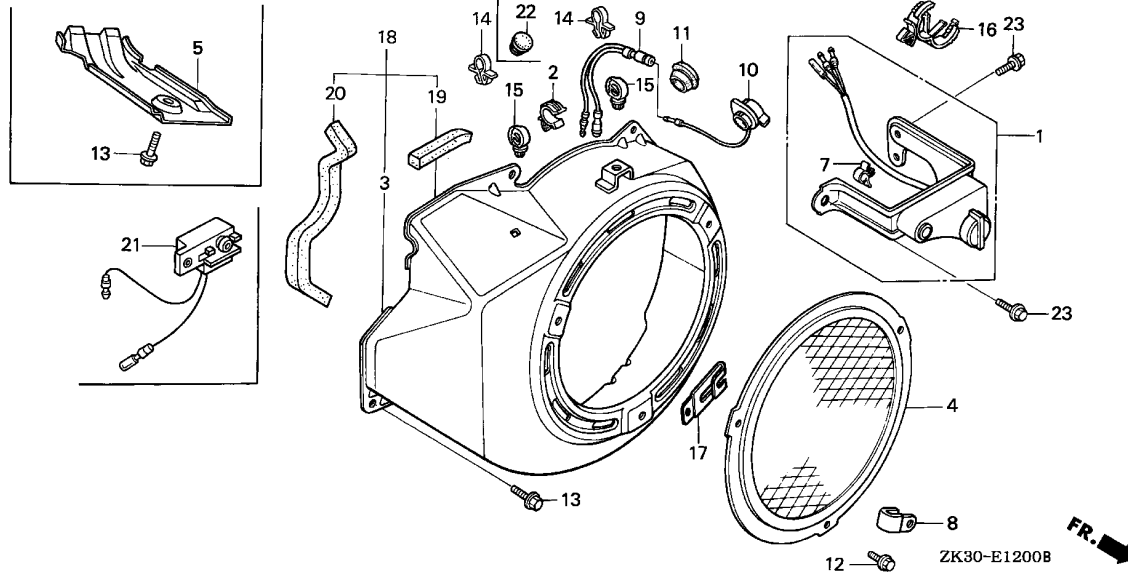




| Ref. No. | Part No. | Description | Reqd. QTY | | | Serial No. | Parts catalogue code |
|----------|-----------------|-------------------------------|-----------|-------|-----|------------|--|
| | | | GX | 340K1 | | | |
| | | | (1) | (2) | (3) | | |
| (3) | 19610-ZE3-W01ZA | COVER COMP., FAN | 1 | - | - | ----- | QXB7, SXB7, VD16, VEB6, VXB2, VXB7, VXE7, VXG |
| | | *R8*.....BRIGHT RED | 1 | - | - | 2169294 | QXB, QXEB, SXB, SXEB, VAA, VAAE, VNG, VNG1, VNG2, VXB, VXEB |
| | | | 1 | - | - | 3664509 | QXB7/A, SXB7/A, VXB7/A, VXE7/A |
| | | | 1 | - | - | 3676807 | QXB/A, SXB/A, SXEB/A, VXB/A, VXEB/A |
| | 19610-ZE3-W01ZE | *NH105*...MAT BLACK (#15-#20) | 1 | - | - | ----- | VXB7, VXE7 |
| | | | 1 | - | - | 3961312 | VXB7/A, VXE7/A |
| | 19610-ZE3-010ZL | *R280*.....POWER RED | 1 | - | - | ----- | EDK, ES2, LJS1, PXA2, VXK |
| | | | 1 | - | - | 3658030 | PKX2 |
| | | | 1 | - | - | 3662094 | ED8/A, ED9/A, ES1/A, HA2/A, HX26/A, LH/A, LHB3/A, LHB5, LHE/A, LHQ4/A, LJ/A, LJG/A, LJS/A, LKE/A, LT/A, LWD, LX/A, LXE/A, LXE2/A, LXE4/A, LXE8/A, LXQ4/A, LXU/A, LX2/A, LX26/A, PKT2/A, PKT4/A, PKX4/A, PX/A, PXE8/A, QAB2/A, QAC2/A, QAE2/A, QAE6/A, QAG/A, QAH2/A, QAP2/A, QA2/A, QA26/A, QDW9/A, QE/A, QH/A, QHB3/A, QHB5, QHE/A, QHP1/A, QHQ4/A, QKA4/A, QMEO/A, QME8/A, QMH/A, QMT2/A, QNE2/A, QNE9/A, QNR2/A, QNR6/A, QP/A, QT/A, QTC2/A, QWH2/A, QX/A, QXC/A, QXC4/A, QXC6/A, QXC9/A, QXE/A, QXE4/A, QXE6/A, QXE8/A, QXQ4/A, QXU/A, SE/A, SH/A, SHB3/A, SHQ4/A, SJ/A, SJG/A, SKE/A, SKZ/A, SMEO/A, SMX2/A, STJ/A, STP/A, STQ/A, STR/A, SWX/A, SX/A, SXE/A, SXE4/A, SXEB/A, SXQ4/A, SXU/A, VAD2/A, VA2/A, VC2/A, VDE2/A, VH12/A, VH22/A, VWC2/A, VWE2/A, VWS2/A, VW12/A, VX/A, VXE/A, VXE2/A, VXE8/A, VXQ4/A, VXU/A, VXU1/A, VX16/A, VX8/A |
| | 19610-ZE3-700ZK | *R280*.....POWER RED | 1 | - | - | ----- | EDS4, EDT3, VMQ |
| | | | 1 | - | - | 3663165 | EDE2/A, EDS1/A, EDS6/A, EDT1/A, EDT6/A, ED6/A, EMT/A, ENT/A, ES3/A, ES4/A, VMT/A, ZK1/A |
| | 19610-ZE3-700ZL | *NH105*...MAT BLACK (#15-#20) | 1 | - | - | ----- | VS2, VS3, VS4, VS5, VS6, VS7 |
| | 19610-ZE3-W01ZB | *T39*.....GEKO BLUE | 1 | - | - | 2169294 | VXEB |
| | | | 1 | - | - | 3961312 | VXEB/A |

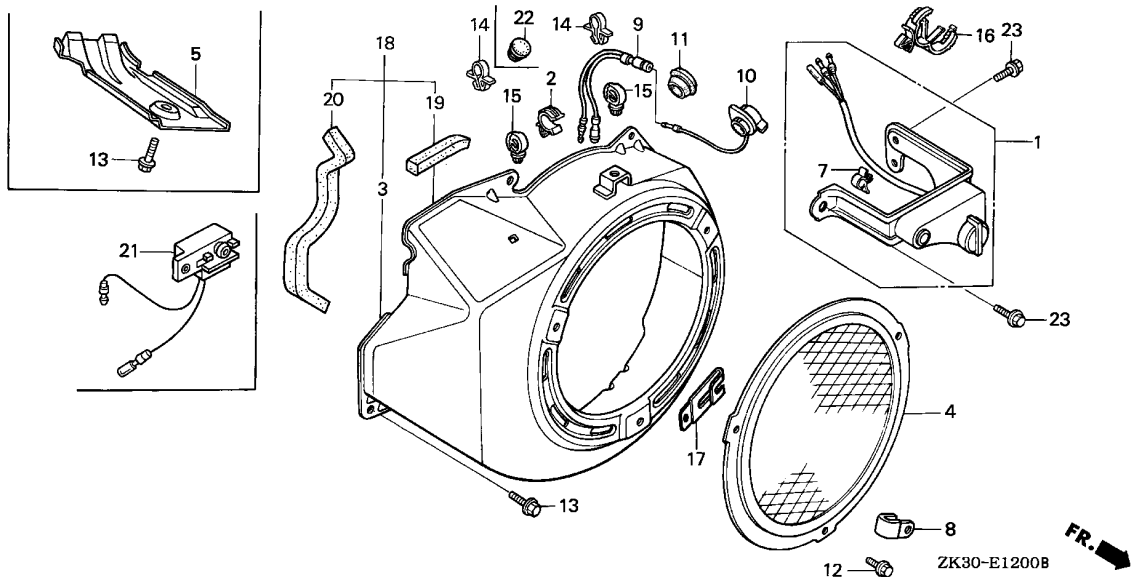
| Ref. No. | Part No. | Description | Reqd. QTY | | | Serial No. | Parts catalogue code |
|----------|-----------------|---|-----------|-----|-----|------------|--|
| | | | (1) | (2) | (3) | | |
| (3) | 19610-ZE3-W01ZF | COVER COMP., FAN *R280*.....POWER RED | 1 | - | - | 3961312 | VSH7 |
| | | | 1 | - | - | 3664510 | 3961312 QXB7/A, SXB7/A, VXB7/A, VXE7/A |
| | | | 1 | - | - | 3676808 | 3961312 QXB/A, SXB/A, SXEB/A, VXB/A, VXE7/A |
| | 19610-ZE3-W02ZE | *NH105*...MAT BLACK (#15-#20) | 1 | - | - | 3961313 | VXB7/A, VXE7/A |
| | 19610-ZE3-W02ZB | *T39*.....GEKO BLUE | 1 | - | - | 3961313 | VXEB/A |
| | 19610-ZE3-W02ZF | *R280*.....POWER RED | 1 | - | - | 3961313 | QXB/A, QXB7/A, SXB/A, SXB7/A, SXEB/A, VSH7, VXB/A, VXB7/A, VXE7/A |
| 4 | 19620-ZE3-L60ZA | PROTECTOR COMP., FAN COVER *NH1*.....BLACK | 1 | - | - | | ZK1, ZK1/A |
| | 19620-ZE3-810 | | 1 | (1) | - | | LKE, LWD1, L1, L1/A, P1, P1/A, Q1, Q1/A, SDE, S1, S1/A |
| | | | 1 | - | - | 3717867 | LKE/A, LWD, LWD1/A |
| | 19620-ZE3-811 | | 1 | - | - | 3717868 | LKE/A, LWD, LWD1/A |
| 5 | 19631-ZE3-W00 | SHROUD | 1 | - | - | | BJ, EDE2, EDE2/A, EDK, EDN, EDN2, EDN2/A, EDN5, EDN5/A, EDS, EDS1, EDS1/A, EDS2, EDS2/A, EDS3, EDS4, EDS6, EDS6/A, EDT, EDT/A, EDT1, EDT1/A, EDT2, EDT3, EDT6, EDT6/A, ED6, ED6/A, ED7, ED8, ED8/A, ED9, ED9/A, EMT, EMT/A, EN, ENT, ENT/A, ENT2, EN6, EN6/A, ES, ES1, ES1/A, ES2, ES3, ES3/A, ES4, ES4/A, ET, ETS, ETX, HA, HAQ, HA2, HA2/A, HH, HX, HX2, HX26, HX26/A, LH, LH/A, LHB1, LHB3, LHB3/A, LHB5, LHC, LHE, LHE/A, LHQ4, LHQ4/A, LHW, LJ, LJ/A, LJG, LJG/A, LJS, LJS/A, LJS1, LKE, LKE/A, LP, LSX, LT, LT/A, LWD, LWD1, LWD1/A, LX, LX/A, LXE, LXE/A, LXE2, LXE2/A, LXE4, LXE4/A, LXE6, LXE8, LXE8/A, LXQ4, LXQ4/A, LXU, LXU/A, LXZ, LX2, LX2/A, LX26, LX26/A, PKT2, PKT2/A, PKT4, PKT4/A, PKX2, PKX4, PKX4/A, PX, PX/A, PXA2, PXE8, PXE8/A, QA, QAB2, QAB2/A, QAC2, QAC2/A, QAE, QAE2, QAE2/A, QAE6, QAE6/A, QAG, QAG/A, QAH2, QAH2/A, QAP, QAPE, QAP2, QAP2/A, QAQ, QA2, QA2/A, QA26, QA26/A, QDW9, QDW9/A, QE, QE/A, QH, QH/A, QHB3, QHB3/A, QHB5, QHC, QHE, QHE/A, QHP1, QHP1/A, QHQ4, QHQ4/A, QH2, QKA4, QKA4/A, QL2, QMED, QMED/A, QME8, QME8/A, QMH, QMH/A, QMT2, QMT2/A, QMX2, QNE, QNE2, QNE2/A, QNE6, QNE9, QNE9/A, QNR2, QNR2/A, QNR6, QNR6/A, QN18, QP, QP/A, QPE2, QT, QT/A, QTC2, QTC2/A, QWH2, QWH2/A, QX, QX/A, QXB, QXB/A, QXB7, QXB7/A, QXC, QXC/A, QXC4, QXC4/A, QXC6, QXC6/A, QXC9, QXC9/A, QXE, QXE/A, QXEB, QXE2, QXE4, QXE4/A, QXE6, QXE6/A, QXE8, QXE8/A, QXQ4, QXQ4/A, QXU, QXU/A, QX2, SDE, SE, SE/A, SH, SH/A, SHB1, SHB3, SHB3/A, SHE, SHEZ, SHQ4, SHQ4/A, SHT, SJ, SJ/A, SJG, SJG/A, SKE, SKE/A, SKZ, SKZ/A, SMEO, SMEO/A, SME2, SMX2, SMX2/A, STJ, STJ/A, STP, STP/A, STQ, STQ/A, STR, STR/A, SWX, SWX/A, SX, SX/A, SXB, SXB/A, SXB7, SXB7/A, SXE, SXE/A, SXEB, SXEB/A, SXE2, SXE4, SXE4/A, SXE8, SXE8/A, SXP, SXQ4, SXQ4/A, SXU, SXU/A, VA, VAA, VAAE, VAD2, VAD2/A, VAH1, VAH2, VAW1, VA2, VA2/A, VC2, VC2/A, VDE, VDE2, VDE2/A, VD16, VE, VEB6, VH, VHE, VH12, VH12/A, VH22, VH22/A, VMQ, VMT, VMT/A, VMX, VNG, VNG1, VNG2, VSH7, VS2, VS3, VS4, VS5, VS6, VS7, VTE2, VWA, VWA2, VWC, VWC2, VWC2/A, VWE, VWE2, VWE2/A, VWS2, VWS2/A, VW12, VW12/A, VX, VX/A, VXA, VXB, VXB/A, VXB2, VXB7, VXB7/A, VXE, VXE/A, VXEB, VXEB/A, VXE2, VXE2/A, VXE4, VXE6, VXE7, VXE7/A, VXE8, VXE8/A, VXG, VXX, VXQ4, VXQ4/A, VXU, VXU/A, VXU1, VXU1/A, VX16, VX16/A, VX8, VX8/A, YJ, ZK1, ZK1/A |
| | | | - | 1 | 1 | | |
| 7 | 30701-883-000 | CLIP, HIGH TENSION CORD (8MM) | 1 | (1) | - | 2143683 | ES1, HA, HX, LX, LXZ, L1, PX, P1, QA, QAP, QX, QXB, QXC, Q1, SWX, SX, SXB, SXP, S1, VA, VAA, VAH1, VNG, VNG1, VX, VXA, VXB, V1 |
| 8 | 32111-426-000 | CLAMPER, CORD | 1 | - | - | | ZK1, ZK1/A |





| Ref. No. | Part No. | Description | Reqd. QTY | | | Serial No. | Parts catalogue code |
|----------|---------------|-------------------------------|-----------|-------|-----|------------|---|
| | | | GX | 340K1 | | | |
| | | | (1) | (2) | (3) | | |
| 9 | 32197-ZH8-003 | SUB HARNESS | 1 | 1 | - | ----- | EDS,EDS1,EDS1/A,EDS2,EDS2/A,EDS3,EDS4,EDS6,EDS6/A,EDT,EDT/A,EDT1 EDT1/A,EDT2,EDT3,EDT6,EDT6/A,ED6,ED6/A,ED9,ED9/A,EMT,EMT/A,ENT ENT/A,ENT2,EN6,EN6/A,ES1/A,ETS,HX26,HX26/A,LSX,LXQ4,LXQ4/A,LXU LXU/A,LX26,LX26/A,L1,L1/A,PX/A,QAC2,QAC2/A,QA2,QA2/A,QA26 QA26/A,QX/A,QXB/A,QXC4,QXC4/A,QXC6,QXC6/A,QXQ4,QXQ4/A,QXU,QXU/A SHT,SKE,SKE/A,SKZ,SKZ/A,SWX/A,SX/A,SXB/A,SXQ4,SXQ4/A,SXU,SXU/A VD16,VX/A,VXB/A,VXB2,VXG,VXQ4,VXQ4/A,VXU,VXU/A,VX16,VX16/A,VX8 VX8/A |
| | | | 1 | 1 | - | 2639737 | HAQ,HA2,HX2,LX2,PKT2,P1,QAP2,QAQ,QA2,QDW9,QMT2,QTC2,QXC9,QX2,Q1 SMX2,S1,VAD2,VAW1,VA2,VDE,VDE2,VH12,VWC2,VW12,V1 |
| | | | 1 | - | - | 2143684 | ES1,HX,LXZ,PX,QX,QXB,SWX,SX,SXB,VAA,VNG,VNG1,VX,VXB |
| | | | 1 | - | - | 2160981 | ETX |
| | | | 1 | - | - | 2143684 | 2639737 HA,LX,QA,QAP,QXC,SXP,VA,VAH1,VXA |
| | | | - | - | 1 | 1000020 | |
| 10 | 36100-ZE1-015 | SWITCH ASSY., ENGINE STOP ... | 1 | (1) | - | ----- | BJ,ED8,ED8/A,EN,ES,HH,LH,LH/A,LHB1,LHB3,LHB3/A,LHB5,LHC,LHW,LJ LJ/A,LJG,LJG/A,LJS,LJS/A,LJS1,LP,LT,LT/A,L1,L1/A,QH,QH/A,QHB3 QHB3/A,QHB5,QHC,QHP1,QHP1/A,QH2,QMH,QMH/A,QP,QP/A,QT,QT/A,SH,SH/A SHB1,SHB3,SHB3/A,SJ,SJ/A,SJG,SJG/A,SKZ,SKZ/A,STP,STP/A,STQ,STQ/A STR,STR/A,VE,VH,YJ |
| | | | 1 | (1) | - | 2639737 | ED9,HAQ,HA2,HX2,HX26,LSX,LX2,LX26,PKT2,P1,QAP2,QAQ,QA2,QA26,QDW9 QMT2,QTC2,QXC6,QXC9,QX2,Q1,SHT,SMX2,S1,VAD2,VAW1,VA2,VDE,VDE2 VH12,VWC2,VW12,VXB2,VXU,VX16,V1 |
| | | | 1 | - | - | 2338539 | QE,SE,VXG |
| | | | 1 | - | - | 2143684 | 2338539 QXB,SXB,VNG1,VXB |
| | | | 1 | - | - | 2143684 | 2639737 ES1,HA,HX,LX,LXZ,PX,QA,QAP,QX,QXC,SWX,SX,SXP,VA,VAA,VAH1,VNG,VX VXA |
| | | | 1 | - | - | 2338540 | 2639737 VD16 |
| | | | - | - | 1 | 1000004 | VXP |

| Ref. No. | Part No. | Description | Reqd. QTY | | | Serial No. | Parts catalogue code | |
|----------|----------------|-------------------------------|-----------|-----|-----|------------|--|--|
| | | | (1) | (2) | (3) | | | |
| 10) | 36100-ZH7-003 | SWITCH ASSY., ENGINE STOP ... | 1 | 1 | - | ----- | EDK,EDN5,EDN5/A,ED9/A,ES1/A,ES2,HA2/A,HX26/A,LX/A,LXU,LXU/A,LX2/A LX26/A,L1/A,PKT2/A,PKX2,PX/A,PKA2,P1/A,QAB2,QAB2/A,QAG,QA2 QA2/A,QA26/A,QMT2/A,QMX2,QTC2/A,QWH2,QWH2/A,QX/A,QXC/A,QXC6/A QXU,QXU/A,Q1/A,SMX2/A,SWX/A,SX/A,SXU,SXU/A,S1/A,VAD2/A,VA2/A,VC2 VC2/A,VDE2/A,VH12/A,VMX,VW12/A,VX/A,VXK,VXU/A,VX16/A,VX8,VX8/A ED9,ES1,HA,HAQ,HA2,HX,HX2,HX26,LSX,LX,LXZ,LX2,LX26,L1,PKT2,PX,P1 QA,QAP,QAP2,QAQ,QA2,QA26,QDW9,QMT2,QTC2,QX,QXC,QXC6,QXC9,QX2,Q1 SHT,SMX2,SWX,SX,SXP,S1,VA,VAA,VAD2,VAH1,VAW1,VA2,VDE,VDE2,VD16 VH12,VNG,VWC2,VW12,VX,VXA,VXB2,VXU,VX16,V1 QAG/A,QAP2/A,QA2/A,QDW9/A,QXC9/A,VWC2/A | |
| | | | 1 | 1 | - | 2639738 | ----- | VXP |
| | 36100-ZF6-P81 | | - | - | 1 | 1000005 | ----- | QAG/A,QAP2/A,QA2/A,QDW9/A,QXC9/A,VWC2/A |
| | 36100-ZH8-W41 | | 1 | - | - | 3930788 | ----- | LHQ4,LHQ4/A,QE/A,QHQ4,QHQ4/A,SE/A,SHQ4,SHQ4/A |
| | | | 1 | - | - | 2338540 | ----- | QE,SE |
| | | | 1 | - | - | 2338539 | ----- | VD16 |
| | | | 1 | - | - | 2639737 | ----- | LXQ4,QXC4,QXQ4,SXQ4,VXQ4 |
| | | | 1 | - | - | 2338540 | ----- | 2639737 QXB,SXB,VNG1,VXB,VXG |
| | | | - | - | 1 | 1000004 | ----- | VXQP |
| | 36100-ZH7-W41 | | 1 | - | - | ----- | ----- | LXQ4/A,PKT4,PKT4/A,PKX4,PKX4/A,QKA4/A,QXB/A,QXB7,QXB7/A,QXC4/A QXQ4/A,SXB/A,SXB7,SXB7/A,SXQ4/A,VSH7,VXB/A,VXB7,VXB7/A,VXQ4/A |
| | | | 1 | - | - | 2639738 | ----- | LXQ4,QXB,QXC4,QXQ4,SXB,SXQ4,VNG1,VXB,VXG,VXQ4 |
| | | | 1 | - | - | 3105643 | ----- | QKA4 |
| | | | - | - | 1 | 1000005 | ----- | VXQP |
| 11 | 81329-567-020 | GROMMET, DRAIN HOLE | 1 | - | - | ----- | ----- | EDE2,EDE2/A,EDN,EDN2,EDN2/A,EDS,EDS1,EDS1/A,EDS2,EDS2/A,EDS3,EDS4 EDS6,EDS6/A,EDT,EDT/A,EDT1,EDT1/A,EDT2,EDT3,EDT6,EDT6/A,ED6,ED6/A ED7,EMT,EMT/A,ENT,ENT/A,ENT2,EN6,EN6/A,ES3,ES3/A,ES4,ES4/A,ET,ETS ETX,LHE,LHE/A,LKE,LKE/A,LP,LWD,LWD1,LWD1/A,LXE,LXE/A,LXE2,LXE2/A LXE4,LXE4/A,LXE6,LXE8,LXE8/A,PXE8,PXE8/A,QAC2,QAC2/A,QAQ,QAQ2 QAQ2/A,QAQ6,QAQ6/A,QAPE,QHE,QHE/A,QMEO,QMEO/A,QME8,QME8/A,QNE QNE2,QNE2/A,QNE6,QNE9,QNE9/A,QNR2,QNR2/A,QNR6,QNR6/A,QN18,QPE2 QXE,QXE/A,QXEB,QXE2,QXE4,QXE4/A,QXE6,QXE6/A,QXE8,QXE8/A,SDE,SHE SHEZ,SKE,SKE/A,SMEO,SMEO/A,SME2,STJ,STJ/A,STR,STR/A,SXE,SXE/A SXEB,SXEB/A,SXE2,SXE4,SXE4/A,SXE8,SXE8/A,VAAE,VAH2,VEB6,VHE,VH22 VH22/A,VMQ,VMT,VMT/A,VNG2,VS2,VS3,VS4,VS5,VS6,VS7,VTE2,VWA,VWA2 VWC,VWE,VWE2,VWE2/A,VWS2,VWS2/A,VXE,VXE/A,VXEB,VXEB/A,VXE2,VXE2/A VXE4,VXE6,VXE7,VXE7/A,VXE8,VXE8/A,VXU1,VXU1/A,ZK1,ZK1/A |
| | | | 1 | - | - | 2143683 | ----- | ES1,HA,HX,LX,LXZ,PX,QA,QAP,QX,QXB,QXC,SWX,SX,SXB,SXP,VA,VAA,VAH1 VNG,VNG1,VX,VXA,VXB |
| 12 | 95701-06008-00 | BOLT, FLANGE, 6X8 | 3 | (1) | - | ----- | ----- | LKE,LKE/A,LWD,LWD1,LWD1/A,L1,L1/A,Q1,Q1/A,SDE,S1,S1/A,ZK1,ZK1/A |



| Ref. No. | Part No. | Description | Reqd. QTY | | | Serial No. | Parts catalogue code |
|----------|---------------|-------------------------------|-----------|-----|-----|------------|--|
| | | | GX | (1) | (2) | | |
| 13 | 90013-883-000 | BOLT, FLANGE, 6X12(CT200) ... | 6 | - | - | ----- | BJ,EDE2,EDE2/A,EDK,EDN,EDN2,EDN2/A,EDN5,EDN5/A,EDS,EDS1,EDS1/A,EDS2,EDS2/A,EDS3,EDS4,EDS6,EDS6/A,EDT,EDT/A,EDT1,EDT1/A,EDT2,EDT3,EDT6,EDT6/A,ED6,ED6/A,ED7,ED8,ED8/A,ED9,ED9/A,EN,ENT,ENT/A,ENT2,EN6,EN6/A,ES,ES1,ES1/A,ES2,ES3,ES3/A,ES4,ES4/A,ET,ETS,ETX,HA,HAQ,HA2,HA2/A,HH,HX,HX2,HX26,HX26/A,LH,LH/A,LHB1,LHB3,LHB3/A,LHC,LHE,LHE/A,LHQ4,LHQ4/A,LHW,LJ,LJ/A,LJG,LJG/A,LJS,LJS1,LKE,LKE/A,LP,LSX,LT,LT/A,LWD,LWD1,LWD1/A,LX,LX/A,LXE,LXE/A,LXE2,LXE2/A,LXE4,LXE4/A,LXE6,LXE8,LXE8/A,LXQ4,LXQ4/A,LXU,LXU/A,LXZ,LX2,LX2/A,LX26,LX26/A,PKT2,PKT2/A,PKT4,PKT4/A,PKX2,PKX4,PKX4/A,PX,PX/A,PXA2,PXE8,PXE8/A,QA,QAB2,QAB2/A,QAC2,QAC2/A,QAE,QAE2,QAE2/A,QAE6,QAE6/A,QAG,QAG/A,QAQ2,QAQ2/A,QAP,QAPE,QAPE2,QAPE2/A,QAQ,QA2,QA2/A,QA26,QA26/A,QDW9,QDW9/A,QE,QE/A,QH,QH/A,QHB3,QHB3/A,QHC,QHE,QHE/A,QHP1,QHP1/A,QHQ4,QHQ4/A,QH2,QKA4,QKA4/A,QL2,QMEO,QMEO/A,QME8,QME8/A,QMH,QMH/A,QMT2,QMT2/A,QMX2,QNE,QNE2,QNE2/A,QNE6,QNE9,QNE9/A,QNR2,QNR2/A,QNR6,QNR6/A,QN18,QP,QP/A,QPE2,QT,QT/A,QTC2,QTC2/A,QWH2,QWH2/A,QX,QX/A,QXB,QXB/A,QXB7,QXB7/A,QXC,QXC/A,QXC4,QXC4/A,QXC6,QXC6/A,QXC9,QXC9/A,QXE,QXE/A,QXEB,QXE2,QXE4,QXE4/A,QXE6,QXE6/A,QXE8,QXE8/A,QXQ4,QXQ4/A,QXU,QXU/A,QX2,SDE,SE,SE/A,SH,SH/A,SHB1,SHB3,SHB3/A,SHE,SHEZ,SHQ4,SHQ4/A,SHT,SJ,SJ/A,SJG,SJG/A,SKE,SKE/A,SKZ,SKZ/A,SME0,SME0/A,SME2,SMX2,SMX2/A,STJ,STJ/A,STP,STP/A,STQ,STQ/A,STR,STR/A,SWX,SWX/A,SX,SX/A,SXB,SXB/A,SXB7,SXB7/A,SXE,SXE/A,SXEB,SXEB/A,SXE2,SXE4,SXE4/A,SXE8,SXE8/A,SXP,SXQ4,SXQ4/A,SXU,SXU/A,VA,VA,VAAE,VAD2,VAD2/A,VAH1,VAH2,VAW1,VA2,VA2/A,VC2,VC2/A,VDE,VDE2,VDE2/A,VD16,VE,VEB6,VH,VHE,VH12,VH12/A,VH22,VH22/A,VMQ,VMQ,VMT/A,VMX,VNG,VNG1,VNG2,VSH7,VS2,VS3,VS4,VS5,VS6,VST,VTE2,VVA,VVA2,VVC,VVC2,VVC2/A,VWE,VWE2,VWE2/A,VWS2,VWS2/A,VW12,VW12/A,VX,VX/A,VXA,VXB,VXB/A,VXB2,VXB7,VXB7/A,VXE,VXE/A,VXEB,VXEB/A,VXE2,VXE2/A,VXE4,VXE6,VXE7,VXE7/A,VXE8,VXE8/A,VXG,VXK,VXQ4,VXQ4/A,VXU,VXU/A,VXU1,VXU1/A,VX16,VX16/A,VX8,VX8/A,YJ,ZK1,ZK1/A |

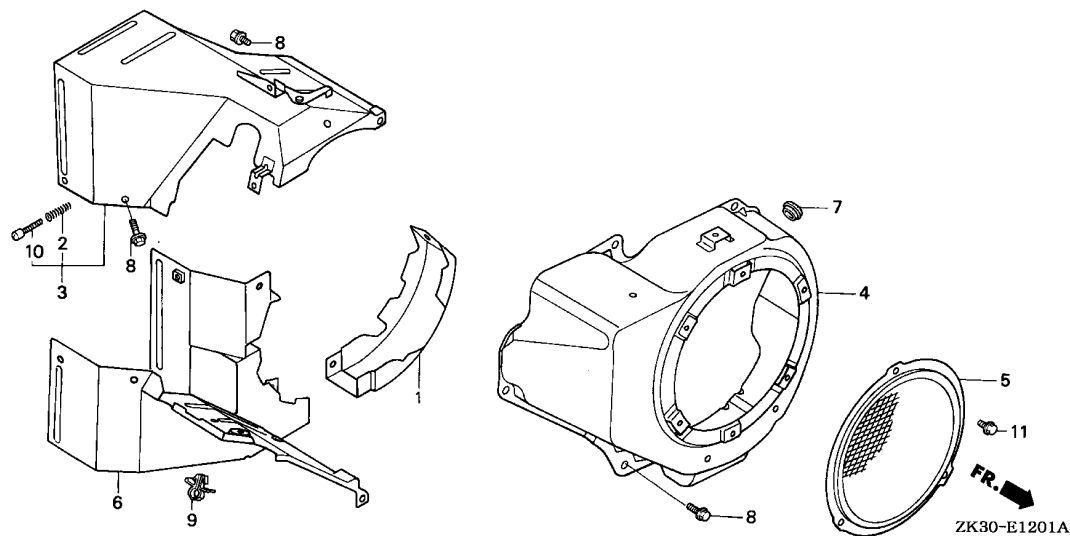
| Ref. No. | Part No. | Description | Reqd. QTY | | | Serial No. | Parts catalogue code | |
|----------|-----------------|--------------------------------------|-----------|-----|-----|------------|---|-----|
| | | | (1) | (2) | (3) | | | |
| 13) | 90013-883-000 | BOLT, FLANGE, 6X12(CT200) ... | - | 6 | 6 | | | |
| 14 | 90654-SA4-003 | CLIP, WIRE HARNESS, 6MM(WHITE) | 2 | - | - | ----- | EDE2,EDE2/A,EDN,EDN2,EDN2/A,EDS,EDS1,EDS1/A,EDS2,EDS2/A,EDS3,EDS4,EDS6,EDS6/A,EDT,EDT/A,EDT1,EDT1/A,EDT2,EDT3,EDT6,EDT6/A,ED6,ED6/A,EMT,EMT/A,ENT,ENT/A,ENT2,EN6,EN6/A,ES3,ES3/A,ES4,ES4/A,VMQ,VMT,VMT/A,VS2,VS3,VS4,VS5,VS6,VS7,VTE2,ZK1/A | |
| 15 | 90683-SAO-003 | CLIP, WIRE HARNESS, 25MM | 2 | - | - | 2335944 | ZK1 | |
| | | | 2 | - | - | ----- | 2335943 ZK1 | |
| 16 | 90684-ZA0-601 | CLIP, HARNESS | 1 | - | - | ----- | EDK,EDS2,EDS2/A,EDT1,EDT1/A,EDT2,EDT3,EDT6,EDT6/A,ED6,ED6/A,ED9,ED9/A,EN6,EN6/A,ES1,ES1/A,ES2,HA,HAQ,HA2,HA2/A,HX,HX2,HX26,HX26/A,LX,LX/A,LXQ4,LXQ4/A,LXU,LXU/A,LXZ,LX2,LX2/A,LX26,LX26/A,PKT2,PKT2/A,PX,PX/A,QA,QAB2,QAB2/A,QAC2,QAC2/A,QAG,QAG/A,QAHT,QAHT/A,QAP,QAP2,QAP2/A,QAQ,QA2,QA2/A,QA26,QA26/A,QDW9,QDW9/A,QMT2,QMT2/A,QMX2,QTC2,QTC2/A,QWH2,QWH2/A,QX,QX/A,QXB,QXB/A,QXC,QXC/A,QXC4,QXC4/A,QXC6,QXC6/A,QXC9,QXC9/A,QXQ4,QXQ4/A,QXU,QXU/A,QX2,SHT,SMX2,SMX2/A,SWX,SWX/A,SX,SX/A,SXB,SXB/A,SXP,SXQ4,SXQ4/A,SXU,SXU/A,VA,VAA,VAD2,VAD2/A,VAH1,VAW1,VA2,VA2/A,VC2,VC2/A,VDE,VDE2,VDE2/A,VD16,VH12,VH12/A,VMX,VNG,VNG1,VWC,VWC2,VWC2/A,VWS2,VWS2/A,VW12,VW12/A,VX,VX/A,VXA,VXB,VXB/A,VXB2,VXG,VXK,VXQ4,VXQ4/A,VXU,VXU/A,VX16,VX16/A,VX8,VX8/A | |
| | | | 1 | - | - | 2160982 | ----- | ETX |
| | | | - | (1) | 1 | | | |
| 17 | 91406-166-000 | CLIP, WIRE | 1 | - | - | ----- | ZK1,ZK1/A | |
| 18 | 19610-ZE3-H51ZA | COVER COMP., FAN *R8*.....BRIGHT RED | 1 | - | - | ----- | LWD1 | |
| | 19610-ZE3-H51ZD | *R280*.....POWER RED | 1 | - | - | 3730178 | LWD1/A | |
| | | | 1 | - | - | 3730179 | LWD1/A | |
| 19 | 19613-ZE3-H50 | SEAL, FAN COVER | 1 | - | - | ----- | LWD1,LWD1/A | |
| 20 | 28403-ZE3-H60 | SEAL, RECOIL | 1 | - | - | ----- | LWD1,LWD1/A | |
| 21 | 15520-ZB2-003 | ALERT UNIT, OIL | 1 | - | - | ----- | 2143683 ES3 | |
| 22 | 50317-254-000 | PLUG, USELESS HOLE | - | - | 1 | | | |
| 23 | 90013-883-000 | BOLT, FLANGE, 6X12(CT200) ... | 2 | (2) | - | ----- | 2143683 ES1,HA,HX,LX,LXZ,L1,PX,P1,QA,QAP,QX,QXB,QXC,Q1,SWX,SX,SXB,SXP,S1,VA,VAA,VAH1,VNG,VNG1,VX,VXA,VXB,V1 | |



E-12-1

FAN COVER(2)

K 2



| Ref. No. | L.O.N. | (Relative ref. Number) Description | F.R.T. |
|----------|--------|------------------------------------|--------|
| 3 | 4141E2 | SHROUD, ENGINE :UPPER | 0.3 |
| 4 | 1141G8 | COVER, ENGINE COOLING FAN | 0.2 |
| 5 | 4141C9 | PROTECTOR, FAN COVER | 0.1 |
| 6 | 4141E0 | SHROUD, ENGINE :LOWER | 0.3 |

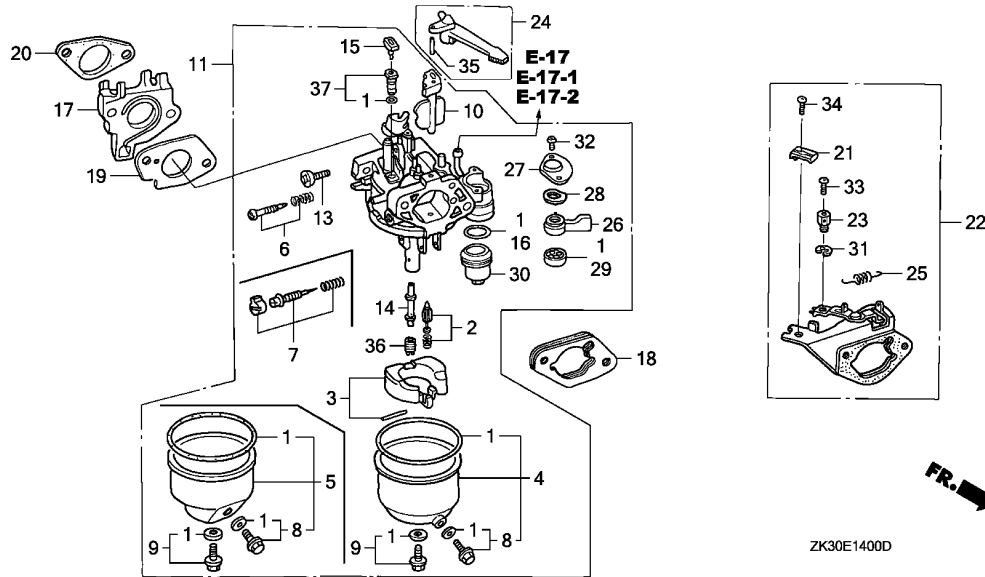
2

| Ref. No. | Part No. | Description | Reqd. QTY | | | Serial No. | Parts catalogue code |
|----------|----------------|--------------------------------|--------------------|-----|-----|------------|----------------------|
| | | | GX 340K1 (1) | (2) | (3) | | |
| 1 | 11315-ZB8-000 | SCROLL, GENERATOR FAN | 1 | - | - | ----- | EDS5 |
| 2 | 16584-883-300 | SPRING, CONTROL ADJUSTING ... | 1 | - | - | ----- | EDS5 |
| 3 | 19602-ZE3-E40 | SHROUD ASSY., UPPER | 1 | - | - | ----- | EDS5 |
| 4 | 19610-ZB8-000 | COVER COMP., FAN | 1 | - | - | ----- | EDS5 |
| 5 | 19620-ZE3-810 | PROTECTOR COMP., FAN COVER .. | 1 | - | - | ----- | EDS5 |
| 6 | 19630-ZB8-000 | SHROUD COMP., LOWER | 1 | - | - | ----- | EDS5 |
| 7 | 81329-567-020 | GROMMET, DRAIN HOLE | 1 | - | - | ----- | EDS5 |
| 8 | 90013-883-000 | BOLT, FLANGE, 6X12(CT200) ... | 7 | - | - | ----- | EDS5 |
| 9 | 90654-SA4-003 | CLIP, WIRE HARNESS, 6MM(WHITE) | 1 | - | - | ----- | EDS5 |
| 10 | 93500-05032-0A | SCREW, PAN, 5X32 | 1 | - | - | ----- | EDS5 |
| 11 | 95701-06008-00 | BOLT, FLANGE, 6X8 | 3 | - | - | ----- | EDS5 |

E-14

CARBURETOR(1)

K 3

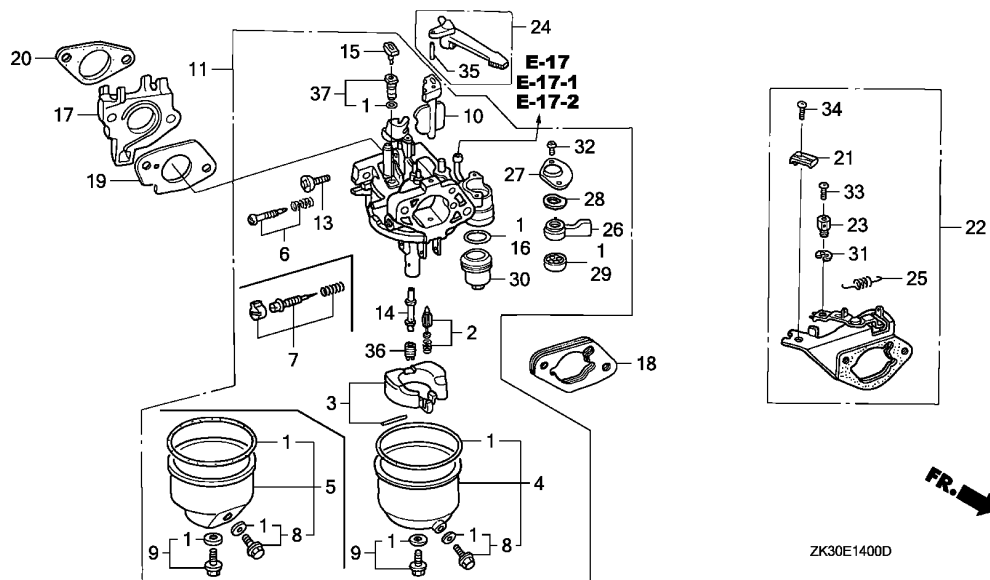


| Ref. No. | L.O.N. | (Relative ref. Number) Description | F.R.T. |
|----------|--------|---|--------|
| 1 | 3111B1 | GASKET SET, CARBURETOR (3) | 0.3 |
| 2 | 3111E1 | VALVE SET, FLOAT AND/OR FLOAT SET (5) | 0.3 |
| 4 | 3111A3 | CHAMBER SET, FLOAT AND/OR GASKET, FLOAT CHAMBER (7) | 0.2 |
| 6 | 3111D7 | SCREW SET, PILOT | 0.2 |
| 11 | 3111F3 | CARBURETOR (30) | 0.2 |
| 16 | 3101L6 | PACKING, FUEL STRAINER CUP (20) | 0.2 |
| 17 | 3111C0 | INSULATOR, CARBURETOR AND/OR PACKING, INSULATOR | 0.2 |
| 18 | 3111D9 | SPACER, CARBURETOR | 0.2 |
| 19 | 3111C8 | PACKING, CARBURETOR | 0.2 |
| 22 | 3111G3 | STAY, CHOKE CONTROL | 0.2 |
| 24 | 8101F9 | LEVER, CARBURETOR CHOKE | 0.2 |
| 25 | 3111M8 | SPRING, CHOKE CONTROL STAY RETURN (26,27,28) | 0.1 |
| 29 | 3101C5 | PACKING, FUEL COCK | 0.2 |
| 36 | 3111C3 | JET, MAIN | 0.3 |

| Ref. No. | Part No. | Description | Reqd. QTY GX 340K1 (1) (2) (3) | Serial No. | Parts catalogue code | | | |
|----------|---------------|---------------------------------------|---|------------|---|---|-----|---|
| 1 | 16010-ZE2-812 | GASKET SET (INCLUDE 16173-001-004) | 1 | - - - - - | BJ, EDK, EDN5, EDN5/A, ED7, ED8, ED8/A, ED9, ED9/A, EN, ES, ES1, ES1/A, ES2, ET, ETS, ETX, HA, HAQ, HA2, HA2/A, HH, HX, HX2, HX26, HX26/A, LH, LH/A, LHB1, LHB3, LHB3/A, LHB5, LHC, LHE, LHE/A, LHQ4, LHQ4/A, LHW, LJ, LJ/A, LJG, LJG/A, LJS, LJS/A, LJS1, LKE, LKE/A, LP, LSX, LT, LT/A, LWD, LX, LX/A, LXE, LXE/A, LXE2, LXE2/A, LXE4, LXE4/A, LXE6, LXE8, LXE8/A, LXQ4, LXQ4/A, LXU, LXU/A, LXZ, LXZ/A, LX2/A, LX26, LX26/A, PKT2, PKT2/A, PKT4, PKT4/A, PKX2, PKX4, PKX4/A, PX, PX/A, PXA2, PXE8, PXE8/A, QA, QAB2, QAB2/A, QAC2, QAC2/A, QAE, QAE2, QAE2/A, QAE6, QAE6/A, QAG, QAG/A, QAH2, QAH2/A, QAP, QAPE, QAP2, QAP2/A, QAQ, QAZ, QA2/A, QA26, QA26/A, QDW9, QDW9/A, QE, QE/A, QH, QH/A, QHB3, QHB3/A, QHB5, QHC, QHE, QHE/A, QHP1, QHP1/A, QHQ4, QHQ4/A, QH2, QKA4, QKA4/A, QL2, QMEO, QMEO/A, QME8, QME8/A, QMH, QMH/A, QMT2, QMT2/A, QMX2, QNE, QNE2, QNE2/A, QNE6, QNE9, QNE9/A, QNR2, QNR2/A, QNR6, QNR6/A, QN18, QP, QP/A, QPE2, QT, QT/A, QTC2, QTC2/A, QWH2, QWH2/A, QX, QX/A, QXB, QXB/A, QXB7, QXB7/A, QXC, QXC/A, QXC4, QXC4/A, QXC6, QXC6/A, QXC9, QXC9/A, QXE, QXE/A, QXEB, QXE2, QXE4, QXE4/A, QXE6, QXE6/A, QXE8, QXE8/A, QXQ4, QXQ4/A, QXU, QXU/A, QX2, SDE, SE, SE/A, SH, SH/A, SHB1, SHB3, SHB3/A, SHE, SHEZ, SHQ4, SHQ4/A, SHT, SJ, SJ/A, SJG, SJG/A, SKE, SKE/A, SKZ, SKZ/A, SMEO, SMEO/A, SME2, SMX2, SMX2/A, STJ, STJ/A, STP, STP/A, STQ, STQ/A, STR, STR/A, SWX, SWX/A, SX, SX/A, SXB, SXB/A, SXB7, SXB7/A, SXE, SXE/A, SXEB, SXEB/A, SXE2, SXE4, SXE4/A, SXE8, SXE8/A, SXP, SXQ4, SXQ4/A, SXU, SXU/A, VA, VAA, VAAE, VAD2, VAD2/A, VAH1, VAH2, VAW1, VA2, VA2/A, VDE, VDE2, VDE2/A, VD16, VE, VEB6, VH, VHE, VH12, VH12/A, VH22, VH22/A, VMX, VNG, VNG1, VNG2, VSH7, VWA, VWA2, VWC2, VWC2/A, VWE2, VWE2/A, VWS2, VWS2/A, VW12, VW12/A, VX, VX/A, VXA, VXB, VXB/A, VXB2, VXB7, VXB7/A, VXE, VXE/A, VXEB, VXEB/A, VXE2, VXE2/A, VXE4, VXE6, VXE7, VXE7/A, VXE8, VXE8/A, VXG, VXX, VXQ4, VXQ4/A, VXU, VXU/A, VXU1, VXU1/A, VX16, VX16/A, VX8, VX8/A, YJ | - | (1) | - |

- (1) -

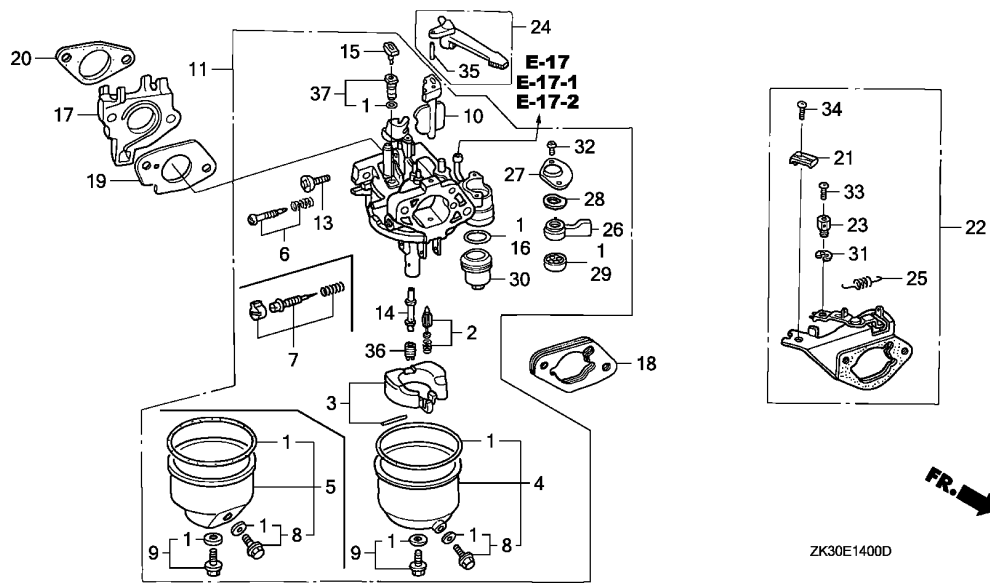
2



| Ref. No. | Part No. | Description | Reqd. QTY | | | Serial No. | Parts catalogue code |
|----------|---------------|------------------------|-----------|-------|-----|------------|--|
| | | | GX | 340K1 | (3) | | |
| 2 | 16011-ZA0-931 | VALVE SET, FLOAT | 1 | - | - | ----- | BJ,EDK,EDN5,EDN5/A,ED7,ED8,ED8/A,ED9,ED9/A,EN,ES,ES1,ES1/A,ES2,ET ETS,ETX,HA,HAQ,HA2,HA2/A,HH,HX,HX2,HX26,HX26/A,LH,LH/A,LHB1,LHB3 LHB3/A,LHB5,LHC,LHE,LHE/A,LHQ4,LHQ4/A,LHW,LJ,LJ/A,LJG,LJG/A,LJS LJS/A,LJS1,LKE,LKE/A,LP,LSX,LT,LT/A,LWD,LX,LX/A,LXE,LXE/A,LXE2 LXE2/A,LXE4,LXE4/A,LXE6,LXE8,LXE8/A,LXQ4,LXQ4/A,LXU,LXU/A,LXZ,LX2 LX2/A,LX26,LX26/A,PKT2,PKT2/A,PKT4,PKT4/A,PKX2,PKX4,PKX4/A,PX PX/A,PXA2,PXE8,PXE8/A,QA,QAB2,QAB2/A,QAC2,QAC2/A,QAE,QAE2,QAE2/A QAE6,QAE6/A,QAG,QAG/A,QA2,QA2/A,QAH2,QAH2/A,QAP,QAPE,QAPE2,QAPE2/A,QAQ,QA2 QA2/A,QA26,QA26/A,QDW9,QDW9/A,QE,QE/A,QH,QH/A,QHB3,QHB3/A,QHB5 QHC,QHE,QHE/A,QHP1,QHP1/A,QHQ4,QHQ4/A,QH2,QKA4,QKA4/A,QL2,QMEO QMEO/A,QME8,QME8/A,QMH,QMH/A,QMT2,QMT2/A,QMX2,QNE,QNE2,QNE2/A QNE6,QNE9,QNE9/A,QNR2,QNR2/A,QNR6,QNR6/A,QN18,QP,QP/A,QPE2,QT QT/A,QTC2,QTC2/A,QWH2,QWH2/A,QX,QX/A,QXB,QXB/A,QXB7,QXB7/A,QXC QXC/A,QXC4,QXC4/A,QXC6,QXC6/A,QXC9,QXC9/A,QXE,QXE/A,QXEB,QXE2 QXE4,QXE4/A,QXE6,QXE6/A,QXE8,QXE8/A,QXQ4,QXQ4/A,QXU,QXU/A,QX2,SDE SE,SE/A,SH,SH/A,SHB1,SHB3,SHB3/A,SHE,SHEZ,SHQ4,SHQ4/A,SHT,SJ,SJ/A SJG,SJG/A,SKE,SKE/A,SKZ,SKZ/A,SMEO,SMEO/A,SMX2,SMX2/A,STJ STJ/A,STP,STP/A,STQ,STQ/A,STR,STR/A,SWX,SWX/A,SX,SX/A,SXB,SXB/A SXB7,SXB7/A,SXE,SXE/A,SXEB,SXEB/A,SXE2,SXE4,SXE4/A,SXE8,SXE8/A SXP,SXQ4,SXQ4/A,SXU,SXU/A,VA,VAA,VAE,VAD2,VAD2/A,VAH1,VAH2,VAW1 VA2,VA2/A,VDE,VDE2,VDE2/A,VD16,VE,VEB6,VH,VHE,VH12,VH12/A,VH22 VH22/A,VMX,VNG,VNG1,VNG2,VSH7,VVA,VVA2,VWC2,VWC2/A,VWE2,VWE2/A VWS2,VWS2/A,VW12,VW12/A,VX,VX/A,VXA,VXB,VXB/A,VXB2,VXB7/VXB7/A VXE,VXE/A,VXEB,VXEB/A,VXE2,VXE2/A,VXE4,VXE6,VXE7,VXE7/A,VXE8 VXE8/A,VXG,VXK,VXQ4,VXQ4/A,VXU,VXU/A,VXU1,VXU1/A,VX16,VX16/A,VX8 VX8/A,YJ |

| Ref. No. | Part No. | Description | Reqd. QTY | | | Serial No. | Parts catalogue code |
|----------|---------------|--------------------------|-----------|-----|-----|--|----------------------|
| | | | (1) | (2) | (3) | | |
| 3 | 16013-ZA0-931 | FLOAT SET | 1 | - | - | BJ, EDK, EDN5, EDN5/A, ED7, ED8, ED8/A, ED9, ED9/A, EN, ES, ES1, ES1/A, ES2, ET, ETS, ETX, HA, HAQ, HA2, HA2/A, HH, HX, HX2, HX26, HX26/A, LH, LH/A, LHB1, LHB3, LHB3/A, LHB5, LHC, LHE, LHE/A, LHQ4, LHQ4/A, LHW, LJ, LJ/A, LJG, LJG/A, LJS, LJS/A, LJS1, LKE, LKE/A, LP, LSX, LT, LT/A, LWD, LX, LX/A, LXE, LXE/A, LXE2, LXE2/A, LXE4, LXE4/A, LXE6, LXE8, LXE8/A, LXQ4, LXQ4/A, LXU, LXU/A, LXZ, LXZ/A, LX26, LX26/A, PKT2, PKT2/A, PKT4, PKT4/A, PKX2, PKX4, PKX4/A, PX, PX/A, PXA2, PXE8, PXE8/A, QA, QAB2, QAB2/A, QAC2, QAC2/A, QAE, QAE2, QAE2/A, QAE6, QAE6/A, QAG, QAG/A, QAH2, QAH2/A, QAP, QAPE, QAP2, QAP2/A, QAQ, QA2, QA2/A, QA26, QA26/A, QDW9, QDW9/A, QE, QE/A, QH, QH/A, QHB3, QHB3/A, QHB5, QHC, QHE, QHE/A, QHP1, QHP1/A, QHQ4, QHQ4/A, QH2, QKA4, QKA4/A, QL2, QMED, QMED/A, QME8, QME8/A, QMH, QMH/A, QMT2, QMT2/A, QMX2, QNE, QNE2, QNE2/A, QNE6, QNE9, QNE9/A, QNR2, QNR2/A, QNR6, QNR6/A, QN18, QP, QP/A, QPE2, QT, QT/A, QTC2, QTC2/A, QWH2, QWH2/A, QX, QX/A, QXB, QXB/A, QXB7, QXB7/A, QXC, QXC/A, QXC4, QXC4/A, QXC6, QXC6/A, QXC9, QXC9/A, QXE, QXE/A, QXEB, QXE2, QXE4, QXE4/A, QXE6, QXE6/A, QXE8, QXE8/A, QXQ4, QXQ4/A, QXU, QXU/A, QX2, SDE, SE, SE/A, SH, SH/A, SHB1, SHB3, SHB3/A, SHE, SHEZ, SHQ4, SHQ4/A, SHT, SJ, SJ/A, SJG, SJG/A, SKE, SKE/A, SKZ, SKZ/A, SMEO, SMEO/A, SME2, SMX2, SMX2/A, STJ, STJ/A, STP, STP/A, STQ, STQ/A, STR, STR/A, SWX, SWX/A, SX, SX/A, SXB, SXB/A, SXB7, SXB7/A, SXE, SXE/A, SXEB, SXEB/A, SXE2, SXE4, SXE4/A, SXE8, SXE8/A, SXP, SXQ4, SXQ4/A, SXU, SXU/A, VA, VAA, VAAE, VAD2, VAD2/A, VAH1, VAH2, VAW1, VA2, VA2/A, VDE, VDE2, VDE2/A, VD16, VE, VEB6, VH, VHE, VH12, VH12/A, VH22, VH22/A, VMX, VNG, VNG1, VNG2, VSH7, VWA, VWA2, VWC2, VWC2/A, VWE2, VWE2/A, VWS2, VWS2/A, VW12, VW12/A, VX, VX/A, VXA, VXB, VXB/A, VXB2, VXB7, VXB7/A, VXE, VXE/A, VXEB, VXEB/A, VXE2, VXE2/A, VXE4, VXE6, VXE7, VXE7/A, VXE8, VXE8/A, VXG, VXX, VXQ4, VXQ4/A, VXU, VXU/A, VXU1, VXU1/A, VX16, VX16/A, VX8, VX8/A, YJ | |
| 4 | 16015-ZE2-005 | CHAMBER SET, FLOAT | - | (1) | - | | |
| | | (CARBURETOR NO.) | 1 | (1) | - | BE47A A LHC, L1, P1, QHC, QXC, QXC4, Q1, SHT, S1, V1 | |
| | | // | 1 | - | - | BE34B B BJ, ED7, ED8, ED9, EN, ES, ES1, ET, ETS, ETX, HA, HH, HX, LH, LHB1, LHB3, LHE, LHQ4, LJ, LJG, LKE, LP, LX, LXE, LXE4, LXQ4, LXZ, PX, QA, QAE, QAP, QAPE, QE, QH, QHB3, QHE, QHQ4, QMED, QNE, QN18, QP, QT, QX, QXB, QXE, QXEB, QXE4, QXQ4, SDE, SE, SH, SHB1, SHB3, SHE, SHEZ, SHQ4, SJ, SJG, SKZ, SMEO, STJ, STP, STQ, SWX, SX, SXB, SXE, SXEB, SXE4, SXP, SXQ4, VA, VAA, VAAE, VAH1, VAH2, VAW1, VDE, VD16, VEB6, VH, VHE, VNG, VNG1, VNG2, VWA, VX, VXA, VXB, VXE, VXEB, VXE4, VXG, VXQ4, VXU, VXU1, VX16, YJ | |
| | | // | 1 | - | - | BE80A A HAQ, QAQ, QNE9 | |
| | | // | 1 | - | - | BE80B A HA2, HX2, HX26, LXE2, LXE6, LX2, LX26, PKT2, QAE2, QAE6, QAP2, QA2, QA26, QH2, QMT2, QNE2, QNE6, QNR2, QNR6, QPE2, QTC2, QXE2, QXE6, QX2, SME2, SMX2, SXE2, VAD2, VA2, VDE2, VH12, VH22, VWA2, VWC2, VWE2, VWS2, VW12, VXB2, VXE2, VXE6 | |
| | | // | 1 | - | - | BE80C A QDW9, QXC6, QXC9 | |



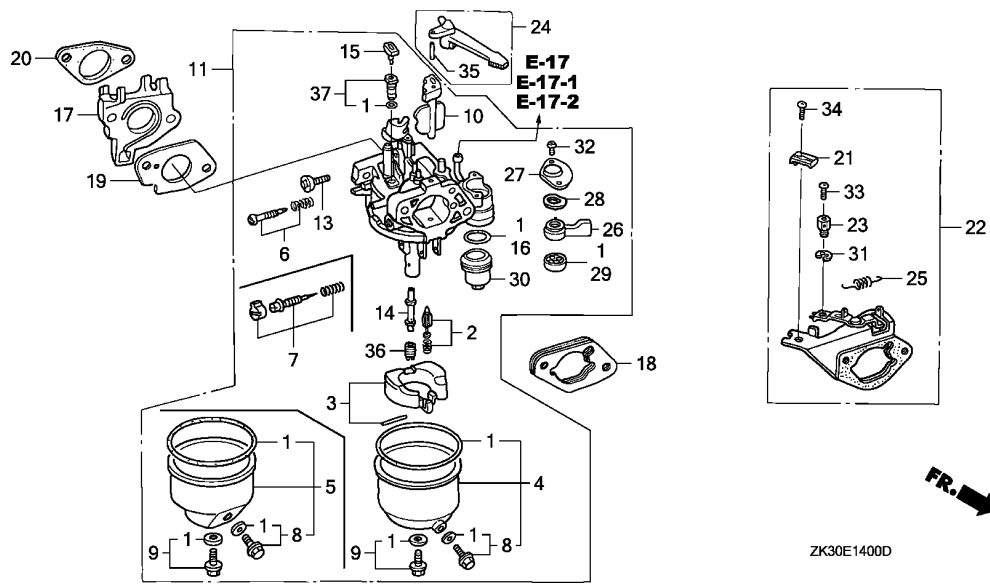


2

| Ref. No. | Part No. | Description | Reqd. QTY | | | Serial No. | Parts catalogue code |
|----------|---------------|--------------------------|-----------|-------|-----|------------|---|
| | | | GX | 340K1 | | | |
| | | | (1) | (2) | (3) | | |
| 5 | 16015-ZE8-005 | CHAMBER SET, FLOAT | 1 | (1) | - | ----- | EDK,EDN5,EDN5/A,ED8/A,ED9/A,ES1/A,ES2,HA2/A,HX26/A,LH/A,LHB3/A,LHB5,LHE/A,LHQ4/A,LHW,LJ/A,LJG/A,LJS,LJS/A,LJS1,LKE/A,LSX,LT,LT/A,LWD,LX/A,LXE/A,LXE2/A,LXE4/A,LXE8,LXE8/A,LXQ4/A,LXU,LXU/A,LX2/A,LX26/A,L1/A,PKT2/A,PKT4,PKT4/A,PKX2,PKX4,PKX4/A,PX/A,PXA2,PXE8,PXE8/A,P1/A,QAB2,QAB2/A,QAC2,QAC2/A,QAE2/A,QAE6/A,QAG,QAG/A,QA2,QA2/A,QAP2/A,QA2/A,QA26/A,QDW9/A,QE/A,QH/A,QHB3/A,QHB5,QHE/A,QHP1,QHP1/A,QHQ4/A,QKA4,QKA4/A,QL2,QMEO/A,QME8,QME8/A,QMH,QMH/A,QMT2/A,QMX2,QNE2/A,QNE9/A,QNR2/A,QNR6/A,QP/A,QT/A,QTC2/A,QWH2,QWH2/A,QX/A,QXB/A,QXB7,QXB7/A,QXC/A,QXC4/A,QXC6/A,QXC9/A,QXE/A,QXE4/A,QXE6/A,QXE8,QXE8/A,QXQ4/A,QXU,QXU/A,Q1/A,SE/A,SH/A,SHB3/A,SHQ4/A,SJ/A,SJG/A,SKE,SKE/A,SKZ/A,SMEO/A,SMX2/A,STJ/A,STP/A,STQ/A,STR,STR/A,SWX/A,SX/A,SXB/A,SXB7,SXB7/A,SXE/A,SXEB/A,SXE4/A,SXE8,SXE8/A,SXQ4/A,SXU,SXU/A,S1/A,VAD2/A,VA2/A,VDE2/A,VH12/A,VH22/A,VMX,VSH7,VWC2/A,VWE2/A,VWS2/A,VW12/A,VX/A,VXB/A,VXB7,VXB7/A,VXE/A,VXE4/A,VXE7,VXE7/A,VXE8,VXE8/A,VXK,VXQ4/A,VXU/A,VXU1/A,VX16/A,VX8,VX8/A |

| Ref. No. | Part No. | Description | Reqd. QTY | | | Serial No. | Parts catalogue code |
|----------|---------------|--|-----------|-----|-----|---------------|--|
| | | | (1) | (2) | (3) | | |
| (5) | 16015-ZE8-005 | CHAMBER SET, FLOAT (CARBURETOR NO.) // | 1 | (1) | - | BE47A B ----- | LHC,L1,P1,QHC,QXC,QXC4,Q1,SHT,S1,V1 |
| | | | 1 | - | - | BE34B C ----- | BJ,ED7,ED8,ED9,EN,ES,ES1,ET,ETS,ETX,HA,HH,HX,LH,LHB1,LHB3,LHE LHQ4,LJ,LJG,LKE,LP,LX,LXE,LXE4,LXQ4,LXZ,PX,QA,QAE,QAP,QAPE,QE,QH QHB3,QHE,QHQ4,QMED,QNE,QN18,QP,QT,QX,QXB,QXE,QXEB,QXE4,QXQ4,SDE SE,SH,SHB1,SHB3,SHE,SHEZ,SHQ4,SJ,SJG,SKZ,SMED,STJ,STP,STQ,SWX,SX SXB,SXE,SXEB,SXE4,SXP,SXQ4,VA,VAA,VAAE,VAH1,VAH2,VAW1,VDE,VD16,VE VEB6,VH,VHE,VNG,VNG1,VNG2,VWA,VX,VXA,VXB,VXE,VXEB,VXE4,VXG,VXQ4 VXU,VXU1,VX16,YJ |
| | | // | 1 | - | - | BE80A B ----- | HAQ,QAQ,QNE9 |
| | | // | 1 | - | - | BE80B B ----- | HA2,HX2,HX26,LXE2,LXE6,LX2,LX26,PKT2,QAE2,QAE6,QAP2,QA2,QA26,QH2 QMT2,QNE2,QNE6,QNR2,QNR6,QPE2,QTC2,QXE2,QXE6,QX2,SME2,SMX2,SXE2 VAD2,VA2,VDE2,VH12,VH22,VWA2,VWC2,VWE2,VWS2,VW12,VXB2,VXE2,VXE6 QDW9,QXC6,QXC9 |
| | | // | 1 | - | - | BE80C B ----- | QDW9,QXC6,QXC9 |
| 6 | 16016-ZE0-005 | SCREW SET, PILOT (CARBURETOR NO.) // | 1 | (1) | - | ----- | BJ,HA,HH,HX,LHC,LHW,LSX,LT,LXZ,L1,PXE8,P1,QA,QAE,QAP,QAPE,QHC QKA4,QME8,QNE,QP,QT,QXC4,QXEB,Q1,SHEZ,STJ,SWX,SXP,S1,VAH1,VAH2 VAW1,VDE,VWA,V1,YJ |
| | | | 1 | (1) | - | BE47A B ----- | L1/A,P1/A,QXC,QXC4/A,Q1/A,S1/A |
| | | | 1 | - | - | BE34B C ----- | ED7,ED8,ED9,EN,ES,ES1,ET,ETS,ETX,LH,LHB1,LHB3,LHE,LHQ4,LJ,LJG,LKE LT/A,LX,LXE,LXE4,LXE8,LXQ4,LXU,PKX4,PX,PXE8/A,QE,QH,QHB3,QHE,QHP1 QHQ4,QKA4/A,QMED,QME8/A,QMH,QN18,QP/A,QT/A,QX,QXB,QXE,QXE4,QXE8 QXQ4,QXU,SDE,SE,SH,SHB1,SHB3,SHE,SHQ4,SHT,SJ,SJG,SKE,SKZ,SMED STJ/A,STP,STQ,STR,SWX/A,SX,SXB,SXE,SXEB,SXE4,SXE8,SXQ4,SXU,VA,VAA VAAE,VD16,VE,VEB6,VH,VHE,VNG,VNG1,VNG2,VX,VXA,VXB,VXE,VXEB,VXE4 VXG,VXQ4,VXU,VXU1,VX16 |
| | | | - | (1) | - | BE34B C ----- | L1/A,P1/A,Q1/A,S1/A |
| | 16016-ZF6-005 | SCREW SET (CARBURETOR NO.) // | 1 | - | - | BE34C B ----- | ED7,ED9,EN,ES,ET,ETS,ETX,VA,VAA,VAAE,VD16,VE,VEB6,VH,VHE,VNG,VNG1 VNG2,VXA,VXE4,VXG |
| | | | 1 | - | - | BE34C B ----- | EDN5,ED9/A,VMX,VXE8,VX8 |
| | | | 1 | - | - | BE34C B ----- | BE34C B ED8,ES1,VX,VXB,VXE,VXEB,VXQ4,VXU,VXU1,VX16 |
| | 16016-ZA0-931 | SCREW SET, PILOT // | 1 | - | - | ----- | LP |



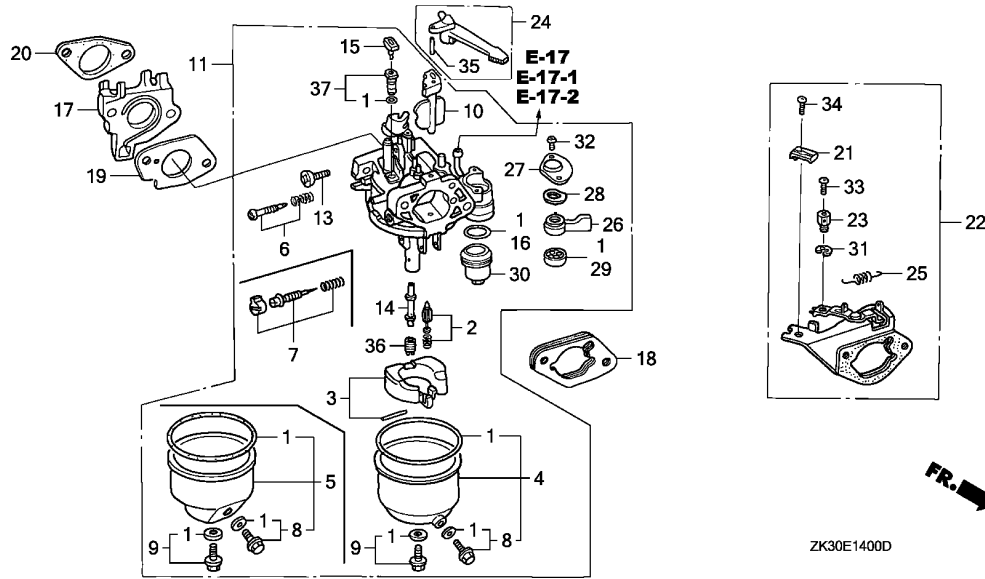


2

| Ref. No. | Part No. | Description | Reqd. QTY | | | Serial No. | Parts catalogue code |
|----------|---------------|--------------------------------------|-----------|-------|-----|------------|--|
| | | | GX | 340K1 | (3) | | |
| 7 | 16016-ZH7-W01 | SCREW SET, PILOT (CARBURETOR NO.) | 1 | (1) | - | BE34B D | LT/A, L1/A, PXE8/A, P1/A, QKA4/A, QME8/A, QP/A, QT/A, Q1/A, STJ/A, SWX/A, S1/A |
| | | | 1 | - | - | | EDK, EDN5/A, ED8/A, ES1/A, ES2, HAQ, HA2, HA2/A, HX2, HX26, HX26/A, LH/A, LHB3/A, LHB5, LHE/A, LHQ4/A, LJ/A, LJG/A, LJS, LJS/A, LJS1, LKE/A, LWD, LX/A, LXE/A, LXE2, LXE2/A, LXE4/A, LXE6, LXE8/A, LXQ4/A, LXU/A, LX2, LX2/A, LX26, LX26/A, PKT2, PKT2/A, PKT4, PKT4/A, PKX2, PKX4/A, PX/A, PXA2, QAB2, QAB2/A, QAC2, QAC2/A, QAE2, QAE2/A, QAE6, QAE6/A, QAG, QAG/A, QAH2, QAH2/A, QAP2, QAP2/A, QAQ, QA2, QA2/A, QA26, QA26/A, QDW9, QDW9/A, QE/A, QH/A, QHB3/A, QHB5, QHE/A, QHP1/A, QHQ4/A, QH2, QL2, QMED/A, QMH/A, QMT2, QMT2/A, QMX2, QNE2, QNE2/A, QNE6, QNE9, QNE9/A, QNR2, QNR2/A, QNR6, QNR6/A, QPE2, QTC2, QTC2/A, QWH2, QWH2/A, QX/A, QXB/A, QXB7, QXB7/A, QXC/A, QXC6, QXC6/A, QXC9, QXC9/A, QXE/A, QXE2, QXE4/A, QXE6, QXE6/A, QXE8/A, QXQ4/A, QXU/A, QX2, SE/A, SH/A, SHB3/A, SHQ4/A, SJ/A, SJG/A, SKE/A, SKZ/A, SMED/A, SME2, SMX2, SMX2/A, STP/A, STQ/A, STR/A, SX/A, SXB/A, SXB7, SXB7/A, SXE/A, SXEB/A, SXE2, SXE4/A, SXE8/A, SXQ4/A, SXU/A, VAD2, VAD2/A, VA2, VA2/A, VDE2, VDE2/A, VH12, VH12/A, VH22, VH22/A, VSH7, VMA2, VWC2, VWC2/A, VWE2, VWE2/A, VWS2, VWS2/A, VW12, VW12/A, VX/A, VXB/A, VXB7, VXB7/A, VXE/A, VXEB/A, VXE2, VXE2/A, VXE6, VXE7, VXE7/A, VXE8/A, VXX, VXQ4/A, VXU/A, VXU1/A, VX16/A, VX8/A |
| | | (CARBURETOR NO.) | 1 | - | - | BE34C C | ED9/A |
| | | // | 1 | - | - | BE47A C | QXC4/A |
| | | // | 1 | - | - | BE80B B | LH, LHB3, LHE, LHQ4, LJ, LJG, LKE, LX, LXE, LXE4, LXE8, LXQ4, LXU, PKX4, PX, QE, QH, QHB3, QHE, QHP1, QHQ4, QMED, QMH, QN18, QX, QXE, QXE4, QXE8, QXQ4, QXU, SDE, SE, SH, SHB1, SHB3, SHE, SHQ4, SJ, SJG, SKE, SKZ, SMED, STP, STQ, STR, SX, SXE, SXE4, SXE8, SXQ4, SXU, VD16, VEB6, VX16 |
| | | // | 1 | - | - | BE80C B | QXC |
| | | // | 1 | - | - | BE80D B | EDN5, ED7, ED8, ES1, QXB, SXB, SXEB, VH, VMX, VX, VXB, VXE, VXEB, VXE4, VXE8, VXQ4, VXU, VXU1, VX8 |
| | | // | - | (1) | - | BE47A C | L1/A, P1/A, Q1/A, S1/A |

| Ref. No. | Part No. | Description | Reqd. QTY | | | Serial No. | Parts catalogue code |
|----------|---------------|------------------------|-----------|-----|-----|------------|---|
| | | | (1) | (2) | (3) | | |
| 8 | 16024-ZE1-811 | SCREW SET, DRAIN | 1 | - | - | ----- | BJ, EDK, EDN5, EDN5/A, ED7, ED8, ED8/A, ED9, ED9/A, EN, ES, ES1, ES1/A, ES2, ET, ETS, ETX, HA, HAQ, HA2, HA2/A, HH, HX, HX2, HX26, HX26/A, LH, LH/A, LHB1, LHB3, LHB3/A, LHB5, LHC, LHE, LHE/A, LHQ4, LHQ4/A, LHW, LJ, LJ/A, LJG, LJG/A, LJS, LJS/A, LJS1, LKE, LKE/A, LP, LSX, LT, LT/A, LWD, LX, LX/A, LXE, LXE/A, LXE2, LXE2/A, LXE4, LXE4/A, LXE6, LXE8, LXE8/A, LXQ4, LXQ4/A, LXU, LXU/A, LXZ, LXZ/A, LX2/A, LX26, LX26/A, PKT2, PKT2/A, PKT4, PKT4/A, PKX2, PKX4, PKX4/A, PX, PX/A, PXA2, PXE8, PXE8/A, QA, QAB2, QAB2/A, QAC2, QAC2/A, QAE, QAE2, QAE2/A, QAE6, QAE6/A, QAG, QAG/A, QAH2, QAH2/A, QAP, QAPE, QAP2, QAP2/A, QAQ, QA2, QA2/A, QA26, QA26/A, QDW9, QDW9/A, QE, QE/A, QH, QH/A, QHB3, QHB3/A, QHB5, QHC, QHE, QHE/A, QHP1, QHP1/A, QHQ4, QHQ4/A, QH2, QKA4, QKA4/A, QL2, QMEO, QMEO/A, QME8, QME8/A, QMH, QMH/A, QMT2, QMT2/A, QMX2, QNE, QNE2, QNE2/A, QNE6, QNE9, QNE9/A, QNR2, QNR2/A, QNR6, QNR6/A, QN18, QP, QP/A, QPE2, QT, QT/A, QTC2, QTC2/A, QWH2, QWH2/A, QX, QX/A, QXB, QXB/A, QXB7, QXB7/A, QXC, QXC/A, QXC4, QXC4/A, QXC6, QXC6/A, QXC9, QXC9/A, QXE, QXE/A, QXEB, QXE2, QXE4, QXE4/A, QXE6, QXE6/A, QXE8, QXE8/A, QXQ4, QXQ4/A, QXU, QXU/A, QX2, SDE, SE, SE/A, SH, SH/A, SHB1, SHB3, SHB3/A, SHE, SHEZ, SHQ4, SHQ4/A, SHT, SJ, SJ/A, SJG, SJG/A, SKE, SKE/A, SKZ, SKZ/A, SMEO, SMEO/A, SME2, SMX2, SMX2/A, STJ, STJ/A, STP, STP/A, STQ, STQ/A, STR, STR/A, SWX, SWX/A, SX, SX/A, SXB, SXB/A, SXB7, SXB7/A, SXE, SXE/A, SXEB, SXEB/A, SXE2, SXE4, SXE4/A, SXE8, SXE8/A, SXP, SXQ4, SXQ4/A, SXU, SXU/A, VA, VAA, VAAE, VAD2, VAD2/A, VAH1, VAH2, VAW1, VA2, VA2/A, VDE, VDE2, VDE2/A, VD16, VE, VEB6, VH, VHE, VH12, VH12/A, VH22, VH22/A, VMX, VNG, VNG1, VNG2, VSH7, VWA, VWA2, VWC2, VWC2/A, VWE2, VWE2/A, VWS2, VWS2/A, VW12, VW12/A, VX, VX/A, VXA, VXB, VXB/A, VXB2, VXB7, VXB7/A, VXE, VXE/A, VXEB, VXEB/A, VXE2, VXE2/A, VXE4, VXE6, VXE7, VXE7/A, VXE8, VXE8/A, VXG, VXX, VXQ4, VXQ4/A, VXU, VXU/A, VXU1, VXU1/A, VX16, VX16/A, VX8, VX8/A, YJ |
| 9 | 16028-ZE0-005 | SCREW SET | 1 | (1) | - | ----- | BJ, EDK, EDN5, EDN5/A, ED7, ED8, ED8/A, ED9, ED9/A, EN, ES, ES1, ES1/A, ES2, ET, ETS, ETX, HA, HAQ, HA2, HA2/A, HH, HX, HX2, HX26, HX26/A, LH, LH/A, LHB1, LHB3, LHB3/A, LHB5, LHC, LHE, LHE/A, LHQ4, LHQ4/A, LHW, LJ, LJ/A, LJG, LJG/A, LJS, LJS/A, LJS1, LKE, LKE/A, LP, LSX, LT, LT/A, LWD, LX, LX/A, LXE, LXE/A, LXE2, LXE2/A, LXE4, LXE4/A, LXE6, LXE8, LXE8/A, LXQ4, LXQ4/A, LXU, LXU/A, LXZ, LXZ/A, LX2/A, LX26, LX26/A, PKT2, PKT2/A, PKT4, PKT4/A, PKX2, PKX4, PKX4/A, PX, PX/A, PXA2, PXE8, PXE8/A, QA, QAB2, QAB2/A, QAC2, QAC2/A, QAE, QAE2, QAE2/A, QAE6, QAE6/A, QAG, QAG/A, QAH2, QAH2/A, QAP, QAPE, QAP2, QAP2/A, QAQ, QA2, QA2/A, QA26, QA26/A, QDW9, QDW9/A, QE, QE/A, QH, QH/A, QHB3, QHB3/A, QHB5, QHC, QHE, QHE/A, QHP1, QHP1/A, QHQ4, QHQ4/A, QH2, QKA4, QKA4/A, QL2, QMEO, QMEO/A, QME8, QME8/A, QMH, QMH/A, QMT2, QMT2/A, QMX2, QNE, QNE2, QNE2/A, QNE6, QNE9, QNE9/A, QNR2, QNR2/A, QNR6, QNR6/A, QN18, QP, QP/A, QPE2, QT, QT/A, QTC2, QTC2/A, QWH2, QWH2/A, QX, QX/A, QXB, QXB/A, QXB7, QXB7/A, QXC, QXC/A, QXC4, QXC4/A, QXC6, QXC6/A, QXC9, QXC9/A, QXE, QXE/A, QXEB, QXE2, QXE4, QXE4/A, QXE6, QXE6/A, QXE8, QXE8/A, QXQ4, QXQ4/A, QXU, QXU/A, QX2, SDE, SE, SE/A, SH, SH/A, SHB1, SHB3, SHB3/A, SHE, SHEZ, SHQ4, SHQ4/A, SHT, SJ, SJ/A, SJG, SJG/A, SKE, SKE/A, SKZ, SKZ/A, SMEO, SMEO/A, SME2, SMX2, SMX2/A, STJ, STJ/A, STP, STP/A, STQ, STQ/A, STR, STR/A, SWX, SWX/A, SX, SX/A, SXB, SXB/A, SXB7, SXB7/A, SXE, SXE/A, SXEB, SXEB/A, SXE2, SXE4, SXE4/A, SXE8, SXE8/A, SXP, SXQ4, SXQ4/A, SXU, SXU/A, VA, VAA, VAAE, VAD2, VAD2/A, VAH1, VAH2, VAW1, VA2, VA2/A, VDE, VDE2, VDE2/A, VD16, VE, VEB6, VH, VHE, VH12, VH12/A, VH22, VH22/A, VMX, VNG, VNG1, VNG2, VSH7, VWA, VWA2, VWC2, VWC2/A, VWE2, VWE2/A, VWS2, VWS2/A, VW12, VW12/A, VX, VX/A, VXA, VXB, VXB/A, VXB2, VXB7, VXB7/A, VXE, VXE/A, VXEB, VXEB/A, VXE2, VXE2/A, VXE4, VXE6, VXE7, VXE7/A, VXE8, VXE8/A, VXG, VXX, VXQ4, VXQ4/A, VXU, VXU/A, VXU1, VXU1/A, VX16, VX16/A, VX8, VX8/A, YJ |
| 10 | 16044-ZE2-005 | CHOKE SET | 1 | (1) | - | ----- | LP |

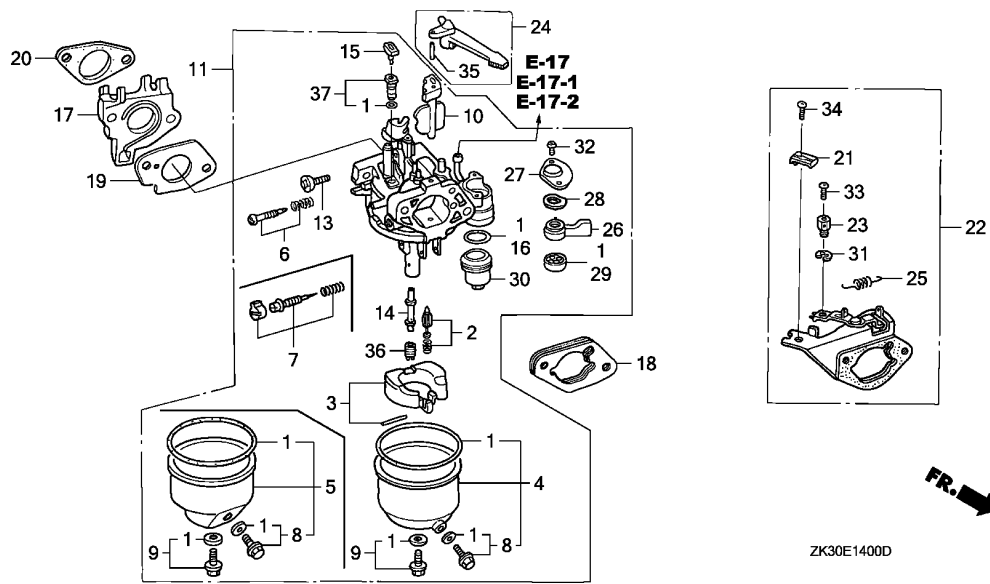




| Ref. No. | Part No. | Description | Reqd. QTY | | | Serial No. | Parts catalogue code |
|----------|---------------|------------------|-----------|-------|-----|------------|--|
| | | | GX | 340K1 | | | |
| | | | (1) | (2) | (3) | | |
| 10) | 16044-ZE3-W20 | CHOKE SET | 1 | - | - | ----- | BJ,HA,HH,HX,LHB1,LHC,LHW,LSX,LT,LT/A,LXZ,PXE8,PXE8/A,QA,QAE,QAP,QAPE,QHC,QKA4,QKA4/A,QME8,QME8/A,QNE,QP,QP/A,QT,QT/A,QXC4,QXC4/A,QXEB,SHEZ,SHT,STJ,STJ/A,SWX,SWX/A,SXP,VAH1,VAH2,VAW1,VDE,VWA,YJ,ED7,ED8,ED9,EN,ES,ES1,ET,ETS,ETX,LH,LHB3,LHE,LHQ4,LJ,LJG,LKE,LX,LXE,LXE4,LXE8,LXQ4,LXU,PKX4,PX,QE,QH,QHB3,QHE,QHP1,QHQ4,QMEO,QMH,QN18,QX,QXB,QXE,QXE4,QXE8,QXQ4,QXU,SDE,SE,SH,SHB1,SHB3,SHE,SHQ4,SJ,SJG,SKE,SKZ,SMEO,STP,STQ,STR,SX,SXB,SXE,SXEB,SXE4,SXE8,SXQ4,SXU,VA,VAA,VAAE,VD16,VE,VEB6,VH,VHE,VNG,VNG1,VNG2,VX,VXA,VXB,VXE,VXEB,VXE4,VXG,VXQ4,VXU,VXU1,VX16 |
| | | (CARBURETOR NO.) | 1 | - | - | ----- | BE34B C |
| | | .. | 1 | - | - | ----- | BE47A B QXC |
| | | | - | (1) | - | ----- | |

| Ref. No. | Part No. | Description | Reqd. QTY | | | Serial No. | Parts catalogue code | |
|----------|---------------|-------------------------------|-----------|-----|-----|------------|---|--|
| | | | (1) | (2) | (3) | | | |
| 10) | 16044-ZE3-811 | CHOKE SET | 1 | - | - | ----- | EDN5/A,ED8/A,ES1/A,ES2,HAQ,HA2,HA2/A,HX2,HX26,HX26/A,LH/A,LHB3/A,LHB5,LHE/A,LHQ4/A,LJ/A,LJG/A,LJS,LJS/A,LJS1,LKE/A,LWD,LX/A,LXE/A,LXE2,LXE2/A,LXE4/A,LXE6,LXE8/A,LXQ4/A,LXU/A,LX2,LX2/A,LX26,LX26/A,PKT2,PKT2/A,PKT4,PKT4/A,PKX2,PKX4/A,PX/A,PXA2,QAB2,QAB2/A,QAC2,QAC2/A,QAE2,QAE2/A,QAE6,QAE6/A,QAG,QAG/A,QA2,QA2/A,QAP2,QAP2/A,QAQ,QA2,QA2/A,QA26,QA26/A,QDW9,QDW9/A,QE/A,QH/A,QHB3/A,QHB5,QHE/A,QHP1/A,QHQ4/A,QH2,QL2,QMEO/A,QMH/A,QMT2,QMT2/A,QMX2,QNE2,QNE2/A,QNE6,QNE9,QNE9/A,QNR2,QNR2/A,QNR6,QNR6/A,QPE2,QTC2,QTC2/A,QWH2,QWH2/A,QX/A,QXB/A,QXB7,A,QXC/A,QXC6,QXC6/A,QXC9,QXC9/A,QXE/A,QXE2,QXE4/A,QXE6,QXE6/A,QXE8/A,QXQ4/A,QXU/A,QX2,SE/A,SH/A,SHB3/A,SHQ4/A,SJ/A,SJG/A,SKE/A,SKZ/A,SMEO/A,SME2,SMX2,SMX2/A,STP/A,STQ/A,STR/A,SX/A,SXB/A,SXB7,A,SXE/A,SXEB/A,SXE2,SXE4/A,SXE8/A,SXQ4/A,SXU/A,VAD2,VAD2/A,VA2,VA2/A,VDE2,VDE2/A,VH12,VH12/A,VH22,VH22/A,VSH7,VWA2,VWC2,VWC2/A,VWE2,VWE2/A,VWS2,VWS2/A,VW12,VW12/A,VX/A,VXB/A,VXB2,VXB7,VXB7/A,VXE/A,VXEB/A,VXE2,VXE2/A,VXE6,VXE7,VXE7/A,VXE8/A,VXK,VXQ4/A,VXU/A,VXU1/A,VX16/A,VX8/A | |
| | | (CARBURETOR NO.) | 1 | - | - | BE80B B | ----- | LH,LHB3,LHE,LHQ4,LJ,LJG,LKE,LX,LXE,LXE4,LXE8,LXQ4,LXU,PKX4,PX,QE,QH,QHB3,QHE,QHP1,QHQ4,QMEO,QMH,QN18,QX,QXE,QXE4,QXE8,QXQ4,QXU,SDE,SE,SH,SHB1,SHB3,SHE,SHQ4,SJ,SJG,SKE,SKZ,SMEO,STP,STQ,STR,SX,SXE,SXE4,SXE8,SXQ4,SXU,VD16,VEB6,VX16 |
| | | // | 1 | - | - | BE80C B | ----- | QXC |
| | | // | 1 | - | - | BE80D B | ----- | EDN5,ED7,ED8,ES1,QXB,SXB,SXEB,VH,VMX,VX,VXB,VXE,VXEB,VXE4,VXE8,VXQ4,VXU,VXU1,VX8 |
| 11 | 16100-ZE3-V00 | CARBURETOR ASSY. (BE80B A) .. | 1 | - | - | ----- | 2519695 | HA2,HX2,HX26,LXE2,LXE6,LX2,LX26,PKT2,QAE2,QAE6,QAP2,QA2,QA26,QH2,QMT2,QNE2,QNE6,QNR2,QNR6,QPE2,QTC2,QXE2,QXE6,QX2,SME2,SMX2,SXE2,VAD2,VA2,VDE2,VH12,VH22,VWA2,VWC2,VWE2,VWS2,VW12,VXB2,VXE2,VXE6 |
| | 16100-ZE3-W10 | CARBURETOR ASSY. (BE47A A) .. | 1 | (1) | - | ----- | 2519621 | LHC,QHC,QXC,QXC4,Q1,SHT,S1 |
| | 16100-ZE3-W11 | CARBURETOR ASSY. (BE47A B) .. | 1 | (1) | - | ----- | 2519622 | LHC,QHC,QXC4,Q1,SHT,S1 |
| | | | 1 | - | - | ----- | 3852703 | QXC4/A |
| | | | 1 | - | - | ----- | 3032023 | QXC |
| | | | 1 | (1) | - | ----- | 3858557 | Q1/A,S1/A |
| | 16100-ZE3-W30 | CARBURETOR ASSY. (BE34B B) .. | 1 | (1) | - | ----- | 2521202 | BJ,ED7,ED8,ED9,EN,ES,ES1,ET,ETS,ETX,HA,HH,HX,LH,LHB1,LHB3,LHE,LHQ4,LJ,LJG,LKE,LX,LXE,LXE4,LXQ4,LXZ,L1,PX,P1,QA,QAE,QAP,QAPE,QE,QH,QHB3,QHE,QHQ4,QMEO,QNE,QN18,QP,QT,QX,QXB,QXE,QXEB,QXE4,QXQ4,Q1,SDE,SE,SH,SHB1,SHB3,SHE,SHEZ,SHQ4,SJ,SJG,SKZ,SMEO,STJ,STP,STQ,SWX,SX,SXB,SXE,SXEB,SXE4,SXP,SXQ4,S1,VA,VAA,VAAE,VAH1,VAH2,VAW1,VDE,VD16,VE,VEB6,VH,VHE,VNG,VNG1,VNG2,VWA,VX,VXA,VXB,VXE,VXEB,VXE4,VXG,VXQ4,VXU,VXU1,VX16,V1,YJ |
| | 16100-ZE3-W31 | CARBURETOR ASSY. (BE34B C) .. | 1 | (1) | - | ----- | 2521203 | BJ,HA,HH,HX,LHB1,LXZ,L1,P1,QA,QAE,QAP,QAPE,QNE,QP,QT,QXEB,Q1,SHEZ,STJ,SWX,SXP,S1,VAH1,VAH2,VAW1,VDE,VWA,V1,YJ |
| | | | 1 | (1) | - | ----- | 3852703 | LT/A,L1/A,PXE8/A,P1/A,QKA4/A,QME8/A,QP/A,QT/A,Q1/A,STJ/A,SWX/A,S1/A |
| | | | 1 | - | - | ----- | ----- | LHW,LSX,LT,PXE8,QKA4,QME8 |
| | | | 1 | - | - | ----- | 3032023 | LXE8,LXU,QHP1,QMH,QXE8,QXU,SKE,STR,SXE8,SXU |
| | | | 1 | - | - | ----- | 3129573 | PKX4 |
| | | | 1 | - | - | ----- | 2521203 | 2589543 |
| | | | 1 | - | - | ----- | 2521203 | 3032023 |
| | | | 1 | - | - | ----- | 2521899 | ED7,ED8,ED9,EN,ES,ES1,ET,ETS,ETX,VA,VAA,VAAE,VD16,VE,VEB6,VH,VHE,VNG,VNG1,VNG2,VX,VXA,VXB,VXE,VXEB,VXE4,VXG,VXQ4,VXU,VXU1,VX16 |
| | 16100-ZE3-W50 | CARBURETOR ASSY. (BE80A A) .. | 1 | - | - | ----- | 2521899 | HAQ,QAQ,QNE9 |
| | 16100-ZE3-W51 | CARBURETOR ASSY. (BE80A B) .. | 1 | - | - | ----- | ----- | QNE9/A |
| | | | 1 | - | - | ----- | 2521900 | HAQ,QAQ,QNE9 |

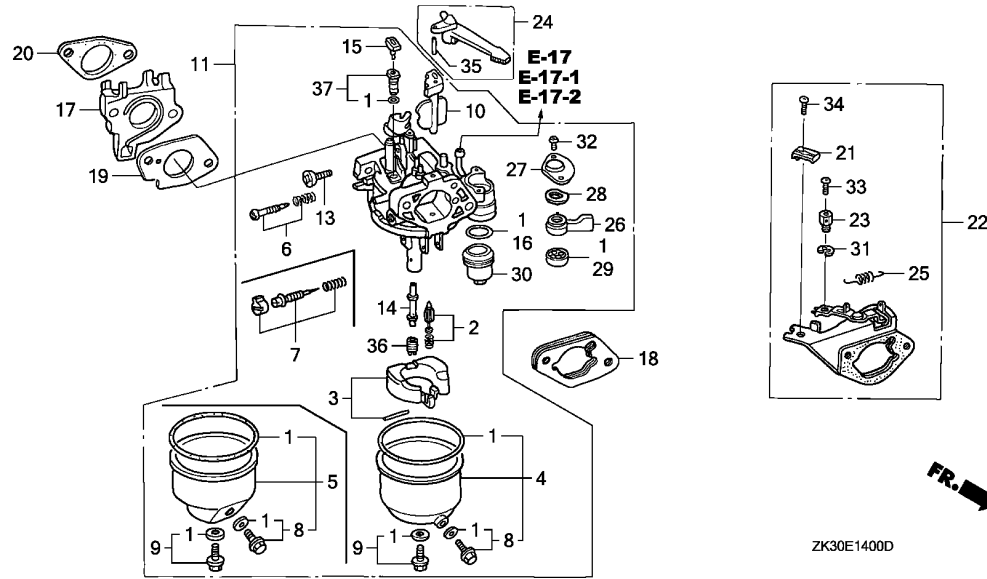




2

| Ref. No. | Part No. | Description | Reqd. QTY | | | Serial No. | Parts catalogue code |
|----------|---------------|-------------------------------|-----------|-----|-----|------------|---|
| | | | (1) | (2) | (3) | | |
| 11) | 16100-ZE3-D51 | CARBURETOR ASSY. (BE34C B) .. | 1 | - | - | 2589544 | ED9,EN,ES,ET,ETS,ETX,VA,VAA,VA AE,VE,VHE,VNG,VNG1,VNG2,VXA,VXG |
| | | | 1 | - | - | 3032023 | EDN5,VMX,VXE8,VX8 |
| | | | 1 | - | - | 3858557 | ED9/A |
| | | | 1 | - | - | 2589544 | 2701601 |
| | | | 1 | - | - | 2589544 | 3032023 |
| | 16100-ZE3-V01 | CARBURETOR ASSY. (BE80B B) .. | 1 | - | - | | ED7,ED8,ES1,VH,VX,VXB,VXE,VXEB,VXE4,VXQ4,VXU,VXU1 |
| | | | 1 | - | - | | HA2/A,HX26/A,LH/A,LHB3/A,LHB5,LHE/A,LHQ4/A,LJ/A,LJG/A,LJS,LJS/A |
| | | | 1 | - | - | | LX26/A,PKT2/A,PKT4,PKT4/A,PKX2,PKX4/A,PX/A,PXA2,QAB2,QAB2/A,QAC2 |
| | | | 1 | - | - | | QAC2/A,QAE2/A,QAE6/A,QAG,QAG/A,QA H2,QA H2/A,QAP2/A,QA2/A,QA26/A |
| | | | 1 | - | - | | QE/A,QH/A,QHB3/A,QHB5,QHE/A,QHP1/A,QHQ4/A,QL2,QME0/A,QMH/A,QMT2/A |
| | | | 1 | - | - | | QMX2,QNE2/A,QNR2/A,QNR6/A,QTC2/A,QX/A,QXB/A,QXB7,QXB7/A,QXE/A |
| | | | 1 | - | - | | QXE4/A,QXE6/A,QXE8/A,QXQ4/A,QXU/A,SE/A,SH/A,SHB3/A,SHQ4/A,SJ/A |
| | | | 1 | - | - | | SJG/A,SKE/A,SKZ/A,SMEO/A,SMX2/A,STP/A,STQ/A,STR/A,SX/A,SXB/A,SXB7 |
| | | | 1 | - | - | | SXB7/A,SXE/A,SXEB/A,SXE4/A,SXE8/A,SXQ4/A,SXU/A,VWC2/A,VWS2/A |
| | | | 1 | - | - | | VX16/A |
| | | | 1 | - | - | 2519696 | HA2,HX2,HX26,LXE2,LXE6,LX2,LX26,PKT2,QAE2,QAE6,QAP2,QA2,QA26,QH2 |
| | | | 1 | - | - | 2701602 | QMT2,QNE2,QNE6,QNR2,QNR6,QPE2,QTC2,QXE2,QXE6,QX2,SME2,SMX2,SXE2 |
| | | | 1 | - | - | 3032024 | VD16,VEB6,VX16 |
| | | | 1 | - | - | | LH,LHB3,LHE,LHQ4,LJ,LJG,LKE,LX,LXE,LXE4,LXE8,LXQ4,LXU,PX,QE,QH |
| | | | 1 | - | - | | QHB3,QHE,QHP1,QHQ4,QME0,QMH,QN18,QX,QXE,QXE4,QXE8,QXQ4,QXU,SDE,SE |
| | | | 1 | - | - | | SH,SHB1,SHB3,SHE,SHQ4,SJ,SJG,SKE,SKZ,SMEO,STP,STQ,STR,SX,SXE,SXE4 |
| | | | 1 | - | - | | SXE8,SXQ4,SXU |
| | | | 1 | - | - | 3129574 | PKX4 |
| | | | 1 | - | - | 2519696 | 2588534 |
| | | | 1 | - | - | 3852704 | VAD2,VA2,VDE2,VH12,VH22,VWA2,VWC2,VWE2,VWS2,VW12,VXB2,VXE2,VXE6 |
| | 16100-ZE3-W12 | CARBURETOR ASSY. (BE47A C) .. | 1 | - | - | | QXC4/A |
| | | | - | (1) | - | | Q1/A,S1/A |
| | 16100-ZE3-W32 | CARBURETOR ASSY. (BE34B D) .. | 1 | (1) | - | 3852704 | LT/A,L1/A,PXE8/A,P1/A,QKA4/A,QME8/A,QP/A,QT/A,Q1/A,STJ/A,SWX/A |
| | | | | | | | S1/A |

| Ref. No. | Part No. | Description | Reqd. QTY | | | Serial No. | Parts catalogue code |
|----------|---------------|-------------------------------|-----------|-----|-----|------------|---|
| | | | (1) | (2) | (3) | | |
| 11) | 16100-ZE3-D52 | CARBURETOR ASSY. (BE34C C) .. | 1 | - | - | ----- | EDK |
| | | | 1 | - | - | 3858558 | ED9/A |
| | 16100-ZE3-F31 | CARBURETOR ASSY. (BE80D B/C) | 1 | - | - | ----- | EDN5/A, ED8/A, ES1/A, ES2, VAD2/A, VA2/A, VDE2/A, VH12/A, VH22/A, VSH7 |
| | | | 1 | - | - | ----- | VWE2/A, VW12/A, VX/A, VXB/A, VXB7, VXB7/A, VXE/A, VXEB/A, VXE2/A, VXE7 |
| | | | 1 | - | - | 2588535 | VXE7/A, VXE8/A, VXX, VXQ4/A, VXU/A, VXU1/A, VX8/A |
| | | | 1 | - | - | 3032024 | VAD2, VA2, VDE2, VH12, VH22, VWA2, VWE2, VW12, VXB2, VXE2, VXE6 |
| | | | 1 | - | - | ----- | EDN5, ED7, ED8, ES1, VH, VMX, VX, VXB, VXE, VXEB, VXE4, VXE8, VXQ4, VXU, VXU1 |
| | | | 1 | - | - | 2588535 | VX8 |
| | | | 1 | - | - | 3032024 | VWC2, VWS2 |
| | | | 1 | - | - | 3211411 | QXB, SXB, SXEB |
| | 16100-ZE3-V01 | CARBURETOR ASSY. (BE80B B) .. | 1 | - | - | 3030650 | VWC2, VWS2 |
| | | | 1 | - | - | 3211412 | QXB, SXB, SXEB |
| | 16100-ZE3-V20 | CARBURETOR ASSY. (BE80C A) .. | 1 | - | - | 2526725 | QDW9, QXC6, QXC9 |
| | 16100-ZE3-V21 | CARBURETOR ASSY. (BE80C B) .. | 1 | - | - | ----- | QDW9/A, QWH2, QWH2/A, QXC/A, QXC6/A, QXC9/A |
| | | | 1 | - | - | 2526726 | QDW9, QXC6, QXC9 |
| | | | 1 | - | - | 3032024 | QXC |
| | 16100-ZH9-W30 | CARBURETOR ASSY. (BE21C A) .. | 1 | - | - | 2521899 | LP |
| | 16100-ZH9-W31 | CARBURETOR ASSY. (BE21C B) .. | 1 | - | - | 2521900 | LP |
| 13 | 16124-ZE0-005 | SCREW, THROTTLE STOP | 1 | - | - | ----- | BJ, EDK, EDN5, EDN5/A, ED7, ED8, ED8/A, ED9, ED9/A, EN, ES, ES1, ES1/A, ES2, ET |
| | | | | | | | ETS, ETX, HA, HAQ, HA2, HA2/A, HH, HX, HX2, HX26, HX26/A, LH, LH/A, LHB1, LHB3 |
| | | | | | | | LHB3/A, LHB5, LHC, LHE, LHE/A, LHQ4, LHQ4/A, LHW, LJ, LJ/A, LJG, LJG/A, LJS |
| | | | | | | | LJS/A, LJS1, LKE, LKE/A, LP, LSX, LT, LT/A, LWD, LX, LX/A, LXE, LXE/A, LXE2 |
| | | | | | | | LXE2/A, LXE4, LXE4/A, LXE6, LXE8, LXE8/A, LXQ4, LXQ4/A, LXU, LXU/A, LXZ, LXZ |
| | | | | | | | LX2/A, LX26, LX26/A, PKT2, PKT2/A, PKT4, PKT4/A, PKX2, PKX4, PKX4/A, PX |
| | | | | | | | PX/A, PXA2, PXE8, PXE8/A, QA, QAB2, QAB2/A, QAC2, QAC2/A, QAE, QAE2, QAE2/A |
| | | | | | | | QAE6, QAE6/A, QAG, QAG/A, QAH2, QAH2/A, QAP, QAPE, QAP2, QAP2/A, QAQ, QA2 |
| | | | | | | | QA2/A, QA26, QA26/A, QDW9, QDW9/A, QE, QE/A, QH, QH/A, QHB3, QHB3/A, QHB5 |
| | | | | | | | QHC, QHE, QHE/A, QHP1, QHP1/A, QHQ4, QHQ4/A, QH2, QKA4, QKA4/A, QL2, QMEO |
| | | | | | | | QMEO/A, QME8, QME8/A, QMH, QMH/A, QMT2, QMT2/A, QMX2, QNE, QNE2, QNE2/A |
| | | | | | | | QNE6, QNE9, QNE9/A, QNR2, QNR2/A, QNR6, QNR6/A, QN18, QP, QP/A, QPE2, QT |
| | | | | | | | QT/A, QTC2, QTC2/A, QWH2, QWH2/A, QX, QX/A, QXB, QXB/A, QXB7, QXB7/A, QXC |
| | | | | | | | QXC/A, QXC4, QXC4/A, QXC6, QXC6/A, QXC9, QXC9/A, QXE, QXE/A, QXEB, QXE2 |
| | | | | | | | QXE4, QXE4/A, QXE6, QXE6/A, QXE8, QXE8/A, QXQ4, QXQ4/A, QXU, QXU/A, QX2, SDE |
| | | | | | | | SE, SE/A, SH, SH/A, SHB1, SHB3, SHB3/A, SHE, SHEZ, SHQ4, SHQ4/A, SHT, SJ, SJ/A |
| | | | | | | | SJG, SJG/A, SKE, SKE/A, SKZ, SKZ/A, SMEO, SMEO/A, SME2, SMX2, SMX2/A, STJ |
| | | | | | | | STJ/A, STP, STP/A, STQ, STQ/A, STR, STR/A, SWX, SWX/A, SX, SX/A, SXB, SXB/A |
| | | | | | | | SXB7, SXB7/A, SXE, SXE/A, SXEB, SXEB/A, SXE2, SXE4, SXE4/A, SXE8, SXE8/A |
| | | | | | | | SXP, SXQ4, SXQ4/A, SXU, SXU/A, VA, VAA, VAAE, VAD2, VAD2/A, VAH1, VAH2, VAW1 |
| | | | | | | | VA2, VA2/A, VDE, VDE2, VDE2/A, VD16, VE, VEB6, VH, VHE, VH12, VH12/A, VH22 |
| | | | | | | | VH22/A, VMX, VNG, VNG1, VNG2, VSH7, VWA, VWA2, VWC2, VWC2/A, VWE2, VWE2/A |
| | | | | | | | VWS2, VWS2/A, VW12, VW12/A, VX, VX/A, VXA, VXB, VXB/A, VXB2, VXB7, VXB7/A |
| | | | | | | | VXE, VXE/A, VXEB, VXEB/A, VXE2, VXE2/A, VXE4, VXE6, VXE7, VXE7/A, VXE8 |
| | | | | | | | VXE8/A, VXG, VXX, VXQ4, VXQ4/A, VXU, VXU/A, VXU1, VXU1/A, VX16, VX16/A, VX8 |
| | | | | | | | VX8/A, YJ |
| | | | - | (1) | - | ----- | |
| 14 | 16166-ZE3-W10 | NOZZLE, MAIN | 1 | - | - | ----- | LHC, QHC, QXC4, QXC4/A, SHT |
| | | (CARBURETOR NO.) | 1 | - | - | ----- | BE47A B QXC |
| | | | - | (1) | - | ----- | |

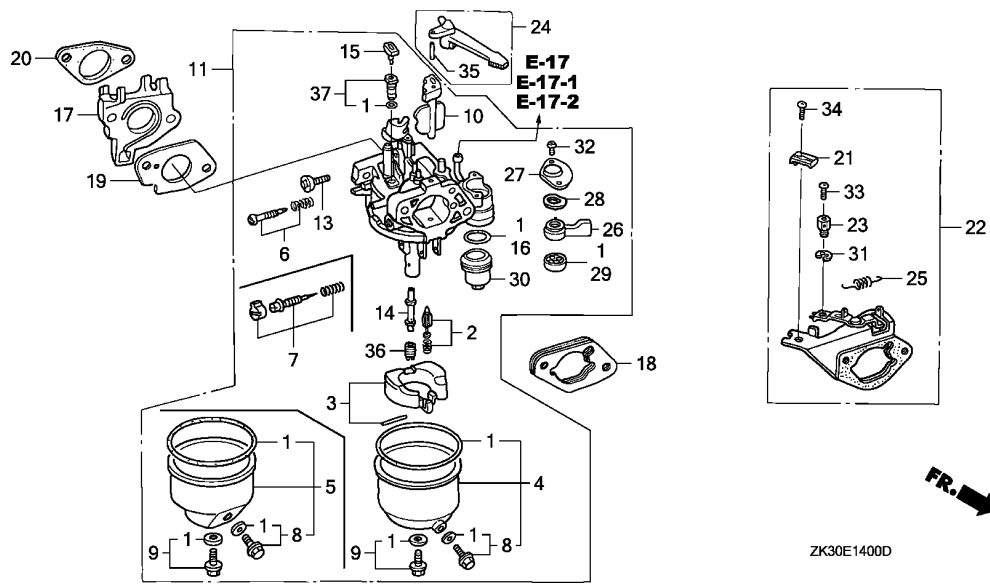


2

| Ref. No. | Part No. | Description | Reqd. QTY | | | Serial No. | Parts catalogue code |
|----------|---------------|--------------------|-----------|-------|-----|------------|--|
| | | | GX | 340K1 | | | |
| | | | (1) | (2) | (3) | | |
| 14) | 16166-ZE3-W20 | NOZZLE, MAIN | 1 | - | - | ----- | BJ,EDK,ED9,ED9/A,EN,ES,ET,ETS,ETX,HA,HH,HX,LHB1,LHW,LSX,LT,LT/A,LXZ,PXE8,PXE8/A,QA,QAE,QAP,QAPE,QKA4,QKA4/A,QME8,QME8/A,QNE,QP,QP/A,QT,QT/A,QXEB,SHEZ,STJ,STJ/A,SWX,SWX/A,SXP,VA,VAA,VAAE,VAH1,VAH2,VAW1,VDE,VE,VHE,VNG,VNG1,VNG2,VWA,VXA,VXG,YJ |
| | | (CARBURETOR NO.) | 1 | - | - | ----- | BE34B C LH,LHB3,LHE,LHQ4,LJ,LJG,LKE,LX,LXE,LXE4,LXE8,LXQ4,LXU,PKX4,PX,QE,QH,QHB3,QHE,QHP1,QHQ4,QMEO,QMH,QN18,QX,QXB,QXE,QXE4,QXE8,QXQ4,QXSDE,SE,SH,SHB1,SHB3,SHE,SHQ4,SJ,SJG,SKE,SKZ,SMEO,STP,STQ,STR,SXSXB,SXE,SXEB,SXE4,SXE8,SXQ4,SXU |
| | | // | 1 | - | - | ----- | BE34C B EDN5,ED7,ED8,ES1,VD16,VEB6,VH,VMX,VX,VXB,VXE,VXEB,VXE4,VXE8,VXQ4,VXU,VXU1,VX16,VX8 |
| | | | - | (1) | - | | |

| Ref. No. | Part No. | Description | Reqd. QTY | | | Serial No. | Parts catalogue code |
|----------|---------------|-----------------------|-----------|-----|-----|---------------|--|
| | | | (1) | (2) | (3) | | |
| 14) | 16166-ZE3-W50 | NOZZLE, MAIN | 1 | - | - | ----- | HAQ,HA2,HA2/A,HX2,HX26,HX26/A,LH/A,LHB3/A,LHB5,LHE/A,LHQ4/A,LJ/A,LJG/A,LJS,LJS/A,LJS1,LKE/A,LWD,LX/A,LXE/A,LXE2/A,LXE4/A,LXE6,LXE8/A,LXQ4/A,LXU/A,LX2,LX2/A,LX26,LX26/A,PKT2,PKT2/A,PKT4,PKT4/A,PKX2,PKX4/A,PX/A,PXA2,QAB2,QAB2/A,QAC2,QAC2/A,QAE2,QAE2/A,QAE6,QAE6/A,QAG,QAG/A,QA2,QA2/A,QA26,QA26/A,QDW9,QDW9/A,QE/A,QH/A,QHB3/A,QHB5,QHE/A,QHP1/A,QHQ4/A,QH2,QL2,QMEO/A,QMH/A,QMT2,QMT2/A,QMX2,QNE2,QNE2/A,QNE6,QNE9/A,QNR2,QNR2/A,QNR6,QNR6/A,QPE2,QTC2,QTC2/A,QWH2,QWH2/A,QX/A,QXB/A,QXB7,QXB7/A,QXC/A,QXC6,QXC6/A,QXC9,QXC9/A,QXE/A,QXE2,QXE4/A,QXE6,QXE6/A,QXQ4/A,QXU/A,QX2,SE/A,SH/A,SHB3/A,SHQ4/A,SJ/A,SJG/A,SKE/A,SKZ/A,SME0/A,SME2,SMX2,SMX2/A,STP/A,STQ/A,STR/A,SX/A,SXB/A,SXB7,SXB7/A,SXE/A,SXEB/A,SXE2,SXE4/A,SXE8/A,SXQ4/A,SXU/A,VWC2/A,VWS2/A,VX16/A |
| | | (CARBURETOR NO.) | 1 | - | - | BE80B B ----- | LH,LHB3,LHE,LHQ4,LJ,LJG,LKE,LX,LXE,LXE4,LXE8,LXQ4,LXU,PKX4,PX,QE,QH,QHB3,QHE,QHP1,QHQ4,QMEO,QMH,QN18,QX,QXB,QXE,QXE4,QXE8,QXQ4,QXU,SDE,SE,SH,SHB1,SHB3,SHE,SHQ4,SJ,SJG,SKE,SKZ,SME0,STP,STQ,STR,SX,SXB,SXE,SXEB,SXE4,SXE8,SXQ4,SXU,VD16,VEB6,VWC2,VWS2,VX16 |
| | | // | 1 | - | - | BE80C B ----- | QXC |
| | | // | 1 | - | - | BE80B B ----- | VAD2,VA2,VDE2,VH12,VH22,VVA2,VWE2,VW12,VXB2,VXE2,VXE6 |
| | 16166-ZE3-F30 | | 1 | - | - | ----- | EDN5/A,ED8/A,ES1/A,ES2,VAD2/A,VA2/A,VDE2/A,VH12/A,VH22/A,VSH7,VWE2/A,VW12/A,VX/A,VXB/A,VXB7,VXB7/A,VXE/A,VXEB/A,VXE2/A,VXE7,VXE7/A,VXE8/A,VXK,VXQ4/A,VXU/A,VXU1/A,VX8/A |
| | | (CARBURETOR NO.) | 1 | - | - | BE80D B ----- | EDN5,ED7,ED8,ES1,VAD2,VA2,VDE2,VH,VH12,VH22,VMX,VVA2,VWE2,VW12,VX,VXB,VXB2,VXE,VXEB,VXE2,VXE4,VXE6,VXE8,VXQ4,VXU,VXU1,VX8 |
| | | // | 1 | - | - | BE80D B | BE80D B QXB,SXB,SXEB,VWC2,VWS2 |
| | 16166-ZH9-820 | | 1 | - | - | ----- | LP |
| 15 | 16172-ZE3-W10 | COLLAR, SETTING | 1 | - | - | ----- | EDN5/A,ED8/A,ES1/A,ES2,HAQ,HA2,HA2/A,HX2,HX26,HX26/A,LH/A,LHB3/A,LHB5,LHC,LHE/A,LHQ4/A,LJ/A,LJG/A,LJS,LJS/A,LJS1,LKE/A,LP,LWD,LX/A,LXE/A,LXE2,LXE2/A,LXE4/A,LXE6,LXE8/A,LXQ4/A,LXU/A,LX2,LX2/A,LX26,LX26/A,PKT2,PKT2/A,PKT4,PKT4/A,PKX2,PKX4/A,PX/A,PXA2,QAB2,QAB2/A,QAC2,QAC2/A,QAE2,QAE2/A,QAE6,QAE6/A,QAG,QAG/A,QA2,QA2/A,QAP2,QAP2/A,QAQ,QA2,QA2/A,QA26,QA26/A,QDW9,QDW9/A,QE/A,QH/A,QHB3/A,QHB5,QHC,QHE/A,QHP1/A,QHQ4/A,QH2,QL2,QMEO/A,QMH/A,QMT2,QMT2/A,QMX2,QNE2,QNE2/A,QNE6,QNE9,QNE9/A,QNR2,QNR2/A,QNR6,QNR6/A,QPE2,QTC2,QTC2/A,QWH2,QWH2/A,QX/A,QXB/A,QXB7,QXB7/A,QXC,QXC/A,QXC4,QXC4/A,QXC6,QXC6/A,QXC9,QXC9/A,QXE/A,QXE2,QXE4/A,QXE6,QXE6/A,QXE8/A,QXQ4/A,QXU/A,QX2,SE/A,SH/A,SHB3/A,SHQ4/A,SHT,SJ/A,SJG/A,SKE/A,SKZ/A,SME0/A,SME2,SMX2,SMX2/A,STP/A,STQ/A,STR/A,SX/A,SXB/A,SXB7,SXB7/A,SXE/A,SXEB/A,SXE2,SXE4/A,SXE8/A,SXQ4/A,SXU/A,VAD2,VAD2/A,VA2,VA2/A,VDE2,VDE2/A,VH12,VH12/A,VH22,VH22/A,VSH7,VVA2,VWC2,VWC2/A,VWE2,VWE2/A,VWS2,VWS2/A,VW12,VW12/A,VX/A,VXB/A,VXB2,VXB7,VXB7/A,VXE/A,VXEB/A,VXE2,VXE2/A,VXE6,VXE7,VXE7/A,VXE8/A,VXK,VXQ4/A,VXU/A,VXU1/A,VX16/A,VX8/A |
| | | (CARBURETOR NO.) | 1 | - | - | BE80B B ----- | LH,LHB3,LHE,LHQ4,LJ,LJG,LKE,LX,LXE,LXE4,LXE8,LXQ4,LXU,PKX4,PX,QE,QH,QHB3,QHE,QHP1,QHQ4,QMEO,QMH,QN18,QX,QXE,QXE4,QXE8,QXQ4,QXU,SDE,SE,SH,SHB1,SHB3,SHE,SHQ4,SJ,SJG,SKE,SKZ,SME0,STP,STQ,STR,SX,SXE,SXE4,SXE8,SXQ4,SXU,VD16,VEB6,VX16 |
| | | // | 1 | - | - | BE80D B ----- | EDN5,ED7,ED8,ES1,QXB,SXB,SXEB,VH,VMX,VX,VXB,VXE,VXEB,VXE4,VXE8,VXQ4,VXU,VXU1,VX8 |
| | | | - | (1) | - | | |

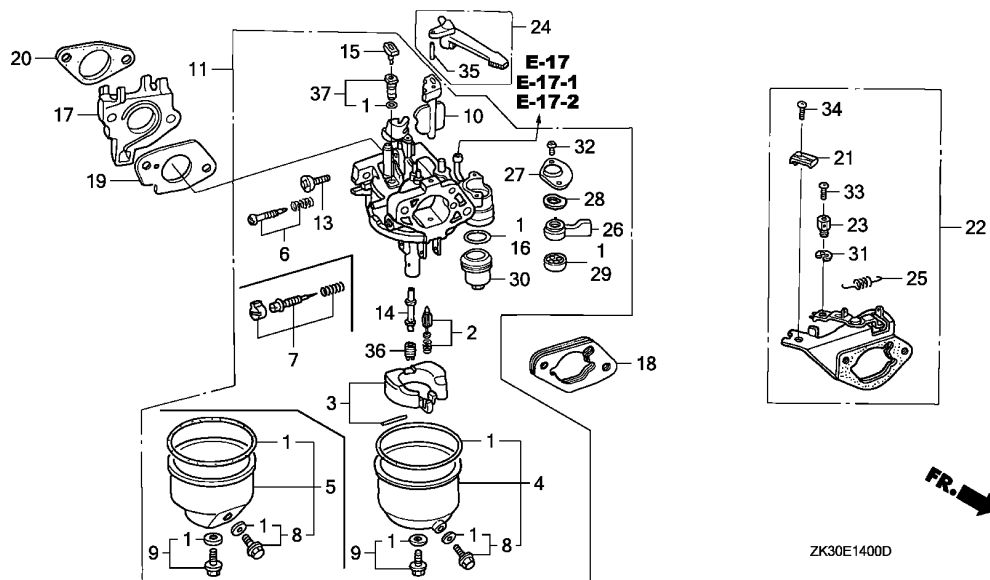




| Ref. No. | Part No. | Description | Reqd. QTY | | | Serial No. | Parts catalogue code |
|----------|---------------|-------------------------------|-----------|-------|-----|------------|--|
| | | | GX | 340K1 | (3) | | |
| 16 | 16173-001-004 | PACKING, FUEL STRAINER CUP .. | 1 | - | - | ----- | BJ,EDK,EDN5,EDN5/A,ED7,ED8,ED8/A,ED9,ED9/A,EN,ES,ES1,ES1/A,ES2,ET ETS,ETX,HA,HAQ,HA2,HA2/A,HH,HX,HX2,HX26,HX26/A,LH,LH/A,LHB1,LHB3 LHB3/A,LHB5,LHC,LHE,LHE/A,LHQ4,LHQ4/A,LHW,LJ,LJ/A,LJG,LJG/A,LJS LJS/A,LJS1,LKE,LKE/A,LP,LSX,LT,LT/A,LWD,LX,LX/A,LXE,LXE/A,LXE2 LXE2/A,LXE4,LXE4/A,LXE6,LXE8,LXE8/A,LXQ4,LXQ4/A,LXU,LXU/A,LXZ,LX2 LX2/A,LX26,LX26/A,PKT2,PKT2/A,PKT4,PKT4/A,PKX2,PKX4,PKX4/A,PX PX/A,PXA2,PXE8,PXE8/A,QA,QAB2,QAB2/A,QAC2,QAC2/A,QAE,QAE2,QAE2/A QAE6,QAE6/A,QAG,QAG/A,QAQ,QAQ/A,QAH2,QAH2/A,QAP,QAPE,QAPE2,QAPE2/A,QAQ,QA2 QA2/A,QA26,QA26/A,QDW9,QDW9/A,QE,QE/A,QH,QH/A,QHB3,QHB3/A,QHB5 QHC,QHE,QHE/A,QHP1,QHP1/A,QHQ4,QHQ4/A,QH2,QKA4,QKA4/A,QL2,QMEO QMEO/A,QME8,QME8/A,QMH,QMH/A,QMT2,QMT2/A,QMX2,QNE,QNE2,QNE2/A QNE6,QNE9,QNE9/A,QNR2,QNR2/A,QNR6,QNR6/A,QN18,QP,QP/A,QPE2,QT QT/A,QTC2,QTC2/A,QWH2,QWH2/A,QX,QX/A,QXB,QXB/A,QXB7,QXB7/A,QXC QXC/A,QXC4,QXC4/A,QXC6,QXC6/A,QXC9,QXC9/A,QXE,QXE/A,QXEB,QXE2 QXE4,QXE4/A,QXE6,QXE6/A,QXE8,QXE8/A,QXQ4,QXQ4/A,QXU,QXU/A,QX2,SDE SE,SE/A,SH,SH/A,SHB1,SHB3,SHB3/A,SHE,SHEZ,SHQ4,SHQ4/A,SHT,SJ,SJ/A SJG,SJG/A,SKE,SKE/A,SKZ,SKZ/A,SMEO,SMEO/A,SMX2,SMX2/A,STJ STJ/A,STP,STP/A,STQ,STQ/A,STR,STR/A,SWX,SWX/A,SX,SX/A,SXB,SXB/A SXB7,SXB7/A,SXE,SXE/A,SXEB,SXEB/A,SXE2,SXE4,SXE4/A,SXE8,SXE8/A SXP,SXQ4,SXQ4/A,SXU,SXU/A,VA,VAA,VAE,VAD2,VAD2/A,VAH1,VAH2,VAW1 VA2,VA2/A,VDE,VDE2,VDE2/A,VD16,VE,VEB6,VH,VHE,VH12,VH12/A,VH22 VH22/A,VMX,VNG,VNG1,VNG2,VSH7,VVA,VVA2,VWC2,VWC2/A,VWE2,VWE2/A VWS2,VWS2/A,VW12,VW12/A,VX,VX/A,VXA,VXB,VXB/A,VXB2,VXB7,VXB7/A VXE,VXE/A,VXEB,VXEB/A,VXE2,VXE2/A,VXE4,VXE6,VXE7,VXE7/A,VXE8 VXE8/A,VXG,VXK,VXQ4,VXQ4/A,VXU,VXU/A,VXU1,VXU1/A,VX16,VX16/A,VX8 VX8/A,YJ |
| 17 | 16211-ZE2-000 | INSULATOR, CARBURETOR | 1 | - | - | ----- | LP |

| Ref. No. | Part No. | Description | Reqd. QTY | | | Serial No. | Parts catalogue code |
|----------|---------------|-----------------------------|-----------|-----|-----|------------|---|
| | | | (1) | (2) | (3) | | |
| 17) | 16211-ZF6-000 | INSULATOR, CARBURETOR | 1 | - | - | ----- | BJ, EDK, ED9, ED9/A, EN, ES, ET, ETS, ETX, HA, HH, HX, LHB1, LHC, LHW, LSX, LT LT/A, LXZ, PXE8, PXE8/A, QA, QAE, QAP, QAPE, QHC, QKA4, QKA4/A, QME8, QME8/A QNE, QP, QP/A, QT, QT/A, QXC4, QXC4/A, QXEB, SHEZ, SHT, STJ, STJ/A, SWX, SWX/A SXP, VA, VAA, VAAE, VAH1, VAH2, VAW1, VDE, VE, VHE, VNG, VNG1, VNG2, VWA, VXA VXG, YJ |
| | | | 1 | - | - | ----- | 2701601 VD16, VEB6, VX16 |
| | | | 1 | - | - | ----- | 3032023 EDN5, ED7, ED8, ES1, LH, LHB3, LHE, LHQ4, LJ, LJG, LKE, LX, LXE, LXE4, LXE8 LXQ4, LXU, PX, QE, QH, QHB3, QHE, QHP1, QHQ4, QMEO, QMH, QN18, QX, QXB, QXC, QXE QXE4, QXE8, QXQ4, QXU, SDE, SE, SH, SHB1, SHB3, SHE, SHQ4, SJ, SJG, SKE, SKZ SMEO, STP, STQ, STR, SX, SXB, SXE, SXEB, SXE4, SXE8, SXQ4, SXU, VH, VMX, VX, VXB VXE, VXEB, VXE4, VXE8, VXQ4, VXU, VXU1, VX8 |
| | | | 1 | - | - | ----- | 3129573 PKX4 |
| | 16211-ZE3-000 | | 1 | - | - | ----- | EDN5/A, ED8/A, ES1/A, ES2, HAQ, HA2, HA2/A, HX2, HX26, HX26/A, LH/A, LHB3/A LHB5, LHE/A, LHQ4/A, LJ/A, LJG/A, LJS, LJS/A, LJS1, LKE/A, LWD, LX/A, LXE/A LXE2, LXE2/A, LXE4/A, LXE6, LXE8/A, LXQ4/A, LXU/A, LX2, LX2/A, LX26, LX26/A PKT2, PKT2/A, PKT4, PKT4/A, PKX2, PKX4/A, PX/A, PXA2, QAB2, QAB2/A, QAC2 QAC2/A, QAE2, QAE2/A, QAE6, QAE6/A, QAG, QAG/A, QAH2, QAH2/A, QAP2, QAP2/A QAQ, QA2, QA2/A, QA26, QA26/A, QDW9, QDW9/A, QE/A, QH/A, QHB3/A, QHB5, QHE/A QHP1/A, QHQ4/A, QH2, QL2, QMEO/A, QMH/A, QMT2, QMT2/A, QMX2, QNE2, QNE2/A QNE6, QNE9, QNE9/A, QNR2, QNR2/A, QNR6, QNR6/A, QPE2, QTC2, QTC2/A, QWH2 QWH2/A, QX/A, QXB/A, QXB7, QXB7/A, QXC/A, QXC6, QXC6/A, QXC9, QXC9/A, QXE/A QXE2, QXE4/A, QXE6, QXE6/A, QXE8/A, QXQ4/A, QXU/A, QX2, SE/A, SH/A, SHB3/A SHQ4/A, SJ/A, SJG/A, SKE/A, SKZ/A, SMEO/A, SME2, SMX2, SMX2/A, STP/A, STQ/A STR/A, SX/A, SXB/A, SXB7, SXB7/A, SXE/A, SXEB/A, SXE2, SXE4/A, SXE8/A SXQ4/A, SXU/A, VAD2, VAD2/A, VA2, VA2/A, VDE2, VDE2/A, VH12, VH12/A, VH22 VH22/A, VSH7, VWA2, VWC2, VWC2/A, VWE2, VWE2/A, VWS2, VWS2/A, VW12, VW12/A VX/A, VXB/A, VXB2, VXB7, VXB7/A, VXE/A, VXEB/A, VXE2, VXE2/A, VXE6, VXE7 VXE7/A, VXE8/A, VXX, VXQ4/A, VXU/A, VXU1/A, VX16/A, VX8/A |
| | | | 1 | - | - | ----- | 2701602 VD16, VEB6, VX16 |
| | | | 1 | - | - | ----- | 3032024 EDN5, ED7, ED8, ES1, LH, LHB3, LHE, LHQ4, LJ, LJG, LKE, LX, LXE, LXE4, LXE8 LXQ4, LXU, PX, QE, QH, QHB3, QHE, QHP1, QHQ4, QMEO, QMH, QN18, QX, QXB, QXC, QXE QXE4, QXE8, QXQ4, QXU, SDE, SE, SH, SHB1, SHB3, SHE, SHQ4, SJ, SJG, SKE, SKZ SMEO, STP, STQ, STR, SX, SXB, SXE, SXEB, SXE4, SXE8, SXQ4, SXU, VH, VMX, VX, VXB VXE, VXEB, VXE4, VXE8, VXQ4, VXU, VXU1, VX8 |
| | | | 1 | - | - | ----- | 3129574 PKX4 |



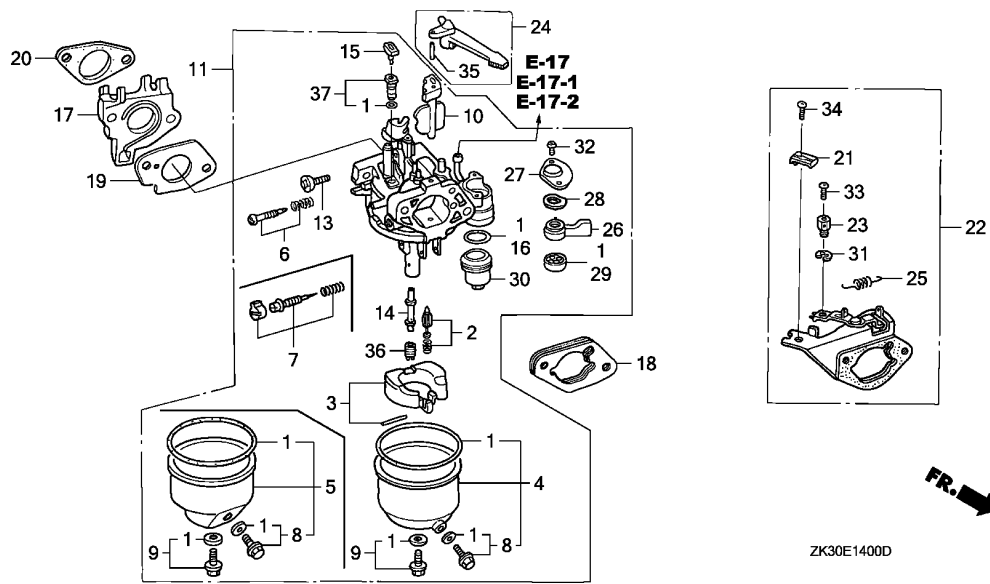


2

| Ref. No. | Part No. | Description | Reqd. QTY | | | Serial No. | Parts catalogue code |
|----------|--------------------------------|--------------------------|-----------|-------|-----|------------|--|
| | | | GX | 340K1 | (3) | | |
| 18 | 16220-ZA0-702 | SPACER COMP., CARBURETOR | 1 | - | - | ----- | BJ,EDK,EDN5,EDN5/A,ED7,ED8,ED8/A,ED9,ED9/A,EN,ES,ES1,ES1/A,ES2,ETS,ETX,HA,HAQ,HA2,HA2/A,HH,HX,HX2,HX26,HX26/A,LH,LH/A,LHB1,LHB3,LHB3/A,LHB5,LHC,LHE,LHE/A,LHQ4,LHQ4/A,LHW,LJ,LJ/A,LJG,LJG/A,LJS,LJS/A,LJS1,LSX,LT,LT/A,LX,LX/A,LXE,LXE/A,LXE2,LXE2/A,LXE4,LXE4/A,LXE6,LXE8,LXE8/A,LXQ4,LXQ4/A,LXU,LXU/A,LXZ,LX2,LX2/A,LX26,LX26/A,PKT2,PKT2/A,PKT4,PKT4/A,PKX2,PKX4,PKX4/A,PX,PX/A,PXA2,PXE8,PXE8/A,QA,QAB2,QAB2/A,QAC2,QAC2/A,QAE,QAE2,QAE2/A,QAE6,QAE6/A,QAG,QAG/A,QA2,QA2/A,QAP,QAPE,QAP2,QAP2/A,QAQ,QA2,QA2/A,QA26,QA26/A,QDW9,QDW9/A,QE,QE/A,QH,QH/A,QHB3,QHB3/A,QHB5,QHC,QHE,QHE/A,QHP1,QHP1/A,QHQ4,QHQ4/A,QH2,QKA4,QKA4/A,QL2,QMED,QMED/A,QME8,QME8/A,QMH,QMH/A,QMT2,QMT2/A,QMX2,QNE,QNE2,QNE2/A,QNE6,QNE9,QNE9/A,QNR2,QNR2/A,QNR6,QNR6/A,QN18,QP,QP/A,QPE2,QT,QT/A,QTC2,QTC2/A,QWH2,QWH2/A,QX,QX/A,QXB,QXB/A,QXB7,QXB7/A,QXC,QXC/A,QXC4,QXC4/A,QXC6,QXC6/A,QXC9,QXC9/A,QXE,QXE/A,QXEB,QXE2,QXE4,QXE4/A,QXE6,QXE6/A,QXE8,QXE8/A,QXQ4,QXQ4/A,QXU,QXU/A,QX2,SE,SE/A,SH,SH/A,SHB1,SHB3,SHB3/A,SHE,SHEZ,SHQ4,SHQ4/A,SHT,SJ,SJ/A,SJG,SJG/A,SKE,SKE/A,SKZ,SKZ/A,SME0,SME0/A,SME2,SMX2,SMX2/A,STP,STP/A,STQ,STQ/A,STR,STR/A,SWX,SWX/A,SX,SX/A,SXB,SXB/A,SXB7,SXB7/A,SXE,SXE/A,SXEB,SXEB/A,SXE2,SXE4,SXE4/A,SXE8,SXE8/A,SXP,SXQ4,SXQ4/A,SXU,SXU/A,VA,VAA,VAE,VAD2,VAD2/A,VAH1,VAH2,VAW1,VA2,VA2/A,VDE,VDE2,VDE2/A,VD16,VE,VEB6,VH,VHE,VH12,VH12/A,VH22,VH22/A,VMX,VNG,VNG1,VNG2,VSH7,VVA,VVA2,VWC2,VWC2/A,VWE2,VWE2/A,VWS2,VWS2/A,VW12,VW12/A,VX,VX/A,VXA,VXB,VXB/A,VXB2,VXB7,VXB7/A,VXE,VXE/A,VXEB,VXEB/A,VXE2,VXE2/A,VXE4,VXE6,VXE7,VXE7/A,VXE8,VXE8/A,VXG,VXK,VXQ4,VXQ4/A,VXU,VXU/A,VXU1,VXU1/A,VX16,VX16/A,VX8,VX8/A,YJ |
| 19 | 16221-ZA0-700 16221-ZA0-800 | PACKING, CARBURETOR | 1 | (1) | - | ----- | 2188577 LP ----- LP |

| Ref. No. | Part No. | Description | Reqd. QTY | | | Serial No. | Parts catalogue code | |
|----------|---------------|---------------------------|-----------|-----|-----|------------|---|---|
| | | | (1) | (2) | (3) | | | |
| 19) | 16221-ZE3-800 | PACKING, CARBURETOR | 1 | - | - | ----- | EDN5/A,ED8/A,ES1/A,ES2,HAQ,HA2,HA2/A,HX2,HX26,HX26/A,LH/A,LHB3/A,LHB5,LHE/A,LHQ4/A,LJ/A,LJG,LJG/A,LJS,LJS/A,LJS1,LKE/A,LWD,LX/A,LXE/A,LXE2,LXE2/A,LXE4/A,LXE6,LXE8/A,LXQ4/A,LXU/A,LX2,LX2/A,LX26/LX26/A,PKT2,PKT2/A,PKT4,PKT4/A,PKX2,PKX4/A,PX/A,PXA2,QAB2,QAB2/A,QAC2,QAC2/A,QA2,QA2/A,QA26,QA26/A,QD9,QD9/A,QA2,QA2/A,QHB3/A,QHB5,QHE/A,QHP1/A,QHQ4/A,QH2,QL2,QMEO/A,QMH/A,QMT2,QMT2/A,QMX2,QNE2,QNE2/A,QNE6,QNE9,QNE9/A,QNR2,QNR2/A,QNR6,QNR6/A,QPE2,QTC2,QTC2/A,QWH2,QWH2/A,QX/A,QXB/A,QXB7,QXB7/A,QXC/A,QXC6,QXC6/A,QXC9,QXC9/A,QXE/A,QXE2,QXE4/A,QXE6,QXE6/A,QXE8/A,QXQ4/A,QXU/A,QX2,SE/A,SH/A,SHB3/A,SHQ4/A,SJ/A,SJG,SJG/A,SKE/A,SKZ/A,SMEO/A,SME2,SMX2,SMX2/A,STP,STP/A,STQ,STQ/A,STR,STR/A, SX/A,SXB/A,SXB7,SXB7/A,SXE/A,SXE2,SXE4/A,SXE8/A,SXQ4/A,SXU/A,VAD2,VAD2/A,VA2,VA2/A,VDE2,VDE2/A,VH12,VH12/A,VH22,VH22/A,VSH7,VWA2,VWC2,VWC2/A,VWE2,VWE2/A,VWS2,VWS2/A,VW12,VW12/A,VX/A,VXB/A,VXB2,VXB7,VXB7/A,VXE/A,VXEB/A,VXE2,VXE2/A,VXE6,VXE7,VXE7/A,VXE8/A,VXK,VXQ4/A,VXU/A,VXU1/A,VX16/A,VX8/A | |
| | | | 1 | - | - | 2701602 | ----- | VD16,VEB6,VX16 |
| | | | 1 | - | - | 3032024 | ----- | EDN5,ED7,ED8,ES1,LH,LHB3,LHE,LHQ4,LJ,LKE,LX,LXE,LXE4,LXE8,LXQ4,LXU,PX,QA,QH,QHB3,QHE,QHP1,QHQ4,QMEO,QMH,QN18,QX,QXB,QXC,QXE,QXE4,QXE8,QXQ4,QXU,SE,SH,SHB1,SHB3,SHE,SHQ4,SJ,SKE,SKZ,SMEO,SX,SXB,SXE,SXEB,SXE4,SXE8,SXQ4,SXU,VH,VMX,VX,VXB,VXE,VXEB,VXE4,VXE8,VXQ4,VXU1,VX8 |
| | | | 1 | - | - | 3129574 | ----- | PKX4 |
| | 16221-ZF6-000 | | 1 | (1) | - | 2178372 | ----- | BJ,EN,ET,ETS,ETX,LJ,LXZ,L1,P1,QT,Q1,SHEZ,SJ,STJ,SWX,S1,V1,YJ |
| | 16221-ZF6-800 | | 1 | (1) | - | ----- | ----- | EDK,ED9,ED9/A,ES,HA,HH,HX,LHB1,LHC,LHW,LSX,LT,LT/A,L1/A,PXE8,PXE8/A,P1/A,QA,QA2,QA2/A,QAPE,QHC,QKA4,QKA4/A,QME8,QME8/A,QNE,QP,QP/A,QT/A,QXC4,QXC4/A,QXEB,Q1/A,SDE,SHT,STJ/A,SWX/A,SXP,S1/A,VA,VAA,VAE,VAH1,VAH2,VAW1,VDE,VE,VHE,VNG,VNG1,VNG2,VWA,VXA,VXG |
| | | | 1 | (1) | - | 2178373 | ----- | BJ,EN,ET,ETS,ETX,LXZ,L1,P1,QT,Q1,SHEZ,STJ,SWX,S1,V1,YJ |
| | | | 1 | - | - | 2701601 | ----- | VD16,VEB6,VX16 |
| | | | 1 | - | - | 3032023 | ----- | EDN5,ED7,ED8,ES1,LH,LHB3,LHE,LHQ4,LKE,LX,LXE,LXE4,LXE8,LXQ4,LXU,PX,QA,QH,QHB3,QHE,QHP1,QHQ4,QMEO,QMH,QN18,QX,QXB,QXC,QXE,QXE4,QXE8,QXQ4,QXU,SE,SH,SHB1,SHB3,SHE,SHQ4,SKE,SKZ,SMEO,SX,SXB,SXE,SXEB,SXE4,SXE8,SXQ4,SXU,VH,VMX,VX,VXB,VXE,VXEB,VXE4,VXE8,VXQ4,VXU1,VX8 |
| | | | 1 | - | - | 3129573 | ----- | PKX4 |
| | | | 1 | - | - | 2178373 | ----- | 3032023 LJ,SJ |
| | | | 1 | - | - | 2188577 | ----- | LP |
| | | | 1 | - | - | 2188578 | ----- | LP |
| | 16223-ZA0-700 | PACKING, INSULATOR | 1 | (1) | - | 2178372 | ----- | BJ,EN,ET,ETS,ETX,LJ,LXZ,L1,P1,QT,Q1,SHEZ,SJ,STJ,SWX,S1,V1,YJ |
| | 16223-ZA0-800 | | 1 | (1) | - | ----- | ----- | EDK,ED9,ED9/A,ES,HA,HH,HX,LHB1,LHC,LHW,LSX,LT,LT/A,L1/A,PXE8,PXE8/A,P1/A,QA,QA2,QA2/A,QAPE,QHC,QKA4,QKA4/A,QME8,QME8/A,QNE,QP,QP/A,QT/A,QXC4,QXC4/A,QXEB,Q1/A,SHT,STJ/A,SWX/A,SXP,S1/A,VA,VAA,VAE,VAH1,VAH2,VAW1,VDE,VE,VHE,VNG,VNG1,VNG2,VWA,VXA,VXG |
| | 16223-ZF6-000 | | 1 | (1) | - | 2178373 | ----- | BJ,EN,ET,ETS,ETX,LXZ,L1,P1,QT,Q1,SHEZ,STJ,SWX,S1,V1,YJ |
| | 16223-ZE3-800 | | 1 | (1) | - | 3032023 | ----- | EDN5,ED7,ED8,ES1,LH,LHB3,LHE,LHQ4,LJG,LKE,LX,LXE,LXE4,LXE8,LXQ4,LXU,PX,QA,QH,QHB3,QHE,QHP1,QHQ4,QMEO,QMH,QN18,QX,QXB,QXC,QXE,QXE4,QXE8,QXQ4,QXU,SDE,SE,SH,SHB1,SHB3,SHE,SHQ4,SJG,SKE,SKZ,SMEO,STP,STQ,STR,SX,SXB,SXE,SXEB,SXE4,SXE8,SXQ4,SXU,VH,VMX,VX,VXB,VXE,VXEB,VXE4,VXE8,VXQ4,VXU1,VX8 |
| | | | 1 | - | - | 3129573 | ----- | PKX4 |
| | | | 1 | - | - | 2178373 | ----- | 3032023 LJ,SJ |

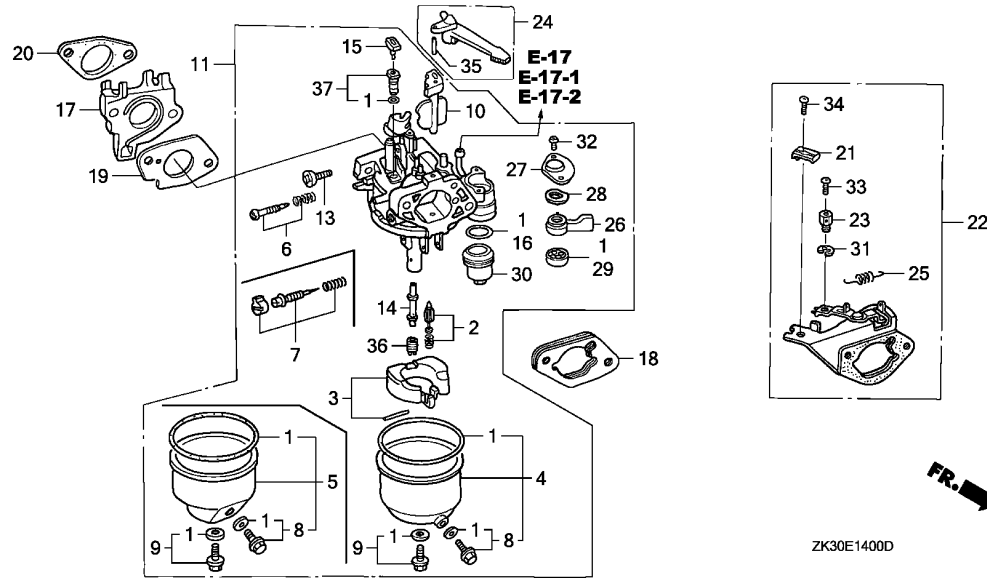




| Ref. No. | Part No. | Description | Reqd. QTY | | | Serial No. | Parts catalogue code |
|----------|---------------|------------------------------------|-----------|-------|-----|------------|--|
| | | | GX | 340K1 | (3) | | |
| 20) | 16223-ZE3-800 | PACKING, INSULATOR | 1 | - | - | ----- | EDN5/A,ED8/A,ES1/A,ES2,HAQ,HA2,HA2/A,HX2,HX26,HX26/A,LH/A,LHB3/A,LHB5,LHE/A,LHQ4/A,LJ/A,LJG/A,LJS,LJS/A,LJS1,LKE/A,LWD,LX/A,LXE/A,LXE2,LXE2/A,LXE4/A,LXE6,LXE8/A,LXQ4/A,LXU/A,LX2,LX2/A,LX26,LX26/A,PKT2,PKT2/A,PKT4,PKT4/A,PKX2,PKX4/A,PX/A,PXA2,QAB2,QAB2/A,QAC2,QAC2/A,QAE2,QAE2/A,QAE6,QAE6/A,QAG,QAG/A,QA2,QA2/A,QAP2,QAP2/A,QAQ,QA2,QA2/A,QA26,QA26/A,QDW9,QDW9/A,QE/A,QH/A,QHB3/A,QHB5,QHE/A,QHP1/A,QHQ4/A,QH2,QL2,QME0/A,QMH/A,QMT2,QMT2/A,QMX2,QNE2,QNE2/A,QNE6,QNE9,QNE9/A,QNR2,QNR2/A,QNR6,QNR6/A,QPE2,QTC2,QTC2/A,QWH2,QWH2/A,QX/A,QXB/A,QXB7,QXB7/A,QXC/A,QXC6,QXC6/A,QXC9,QXC9/A,QXE/A,QXE2,QXE4/A,QXE6,QXE6/A,QXE8/A,QXQ4/A,QXU/A,QX2,SE/A,SH/A,SHB3/A,SHQ4/A,SJ/A,SJG/A,SKE/A,SKZ/A,SMEO/A,SME2,SMX2,SMX2/A,STP/A,STQ/A,STR/A,SX/A,SXB/A,SXB7,SXB7/A,SXE/A,SXEB/A,SXE2,SXE4/A,SXE8/A,SXQ4/A,SXU/A,VAD2,VAD2/A,VA2,VA2/A,VDE2,VDE2/A,VD16,VEB6,VH12,VH12/A,VH22,VH22/A,VSH7,VWA2,VWC2,VWC2/A,VWE2,VWE2/A,VWS2,VWS2/A,VW12,VW12/A,VX/A,VXB/A,VXB2,VXB7,VXB7/A,VXE/A,VXEB/A,VXE2,VXE2/A,VXE6,VXE7,VXE7/A,VXE8/A,VXK,VXQ4/A,VXU/A,VXU1/A,VX16,VX16/A,VX8/A |
| | | | 1 | - | - | 3032024 | EDN5,ED7,ED8,ES1,LH,LHB3,LHE,LHQ4,LJ,LJG,LKE,LX,LXE,LXE4,LXE8,LXQ4,LXU,PX,QE,QH,QHB3,QHE,QHP1,QHQ4,QME0,QMH,QN18,QX,QXB,QXC,QXE,QXE4,QXE8,QXQ4,QXU,SDE,SE,SH,SHB1,SHB3,SHE,SHQ4,SJ,SJG,SKE,SKZ,SMEO,STP,STQ,STR,SX,SXB,SXE,SXEB,SXE4,SXE8,SXQ4,SXU,VH,VMX,VX,VXB,VXE,VXEB,VXE4,VXE8,VXQ4,VXU,VXU1,VX8 |
| | | | 1 | - | - | 3129574 | PKX4 |
| 21 | 16576-891-000 | HOLDER, CABLE | 1 | - | - | ----- | LKE,LKE/A,LWD,SDE,STJ,STJ/A |
| | | | - | (1) | - | ----- | |
| 22 | 16590-ZE2-812 | STAY ASSY., CHOKE CONTROL (REMOTE) | 1 | - | - | ----- | LKE,LKE/A,LWD,SDE,STJ,STJ/A |
| | | | - | (1) | - | ----- | |

| Ref. No. | Part No. | Description | Reqd. QTY | | | Serial No. | Parts catalogue code |
|----------|---------------|-------------------------------|-----------|-----|-----|--|----------------------|
| | | | (1) | (2) | (3) | | |
| 23 | 16594-883-010 | HOLDER, WIRE | 1 | - | - | LKE,LKE/A,LWD,SDE,STJ,STJ/A | |
| | | | - | (1) | - | | |
| 24 | 16610-ZE1-000 | LEVER COMP., CHOKE (STD.) ... | 1 | - | - | BJ,EDK,EDN5,EDN5/A,ED7,ED8,ED8/A,ED9,ED9/A,EN,ES,ES1,ES1/A,ES2,ETS,ETX,HA,HAQ,HA2,HA2/A,HH,HX,HX2,HX26,HX26/A,LH,LH/A,LHB1,LHB3,LHB3/A,LHB5,LHC,LHE,LHE/A,LHQ4,LHQ4/A,LHW,LJ,LJ/A,LJG,LJG/A,LJS,LJS/A,LJS1,LP,LSX,LT,LT/A,LX,LX/A,LXE,LXE/A,LXE2,LXE2/A,LXE4,LXE4/A,LXE6,LXE8,LXE8/A,LXQ4,LXQ4/A,LXU,LXU/A,LXZ,LX2,LX2/A,LX26,LX26/A,PKT2,PKT2/A,PKT4,PKT4/A,PKX2,PKX4,PKX4/A,PX,PX/A,PXA2,PXE8,PXE8/A,QA,QAB2,QAB2/A,QAC2,QAC2/A,QAE,QAE2,QAE2/A,QAE6,QAE6/A,QAG,QAG/A,QA2,QA2/A,QAP,QAPE,QAP2,QAP2/A,QAQ,QA2,QA2/A,QA26,QA26/A,QDW9,QDW9/A,QE,QE/A,QH,QH/A,QHB3,QHB3/A,QHB5,QHC,QHE,QHE/A,QHP1,QHP1/A,QHQ4,QHQ4/A,QH2,QKA4,QKA4/A,QL2,QMEO,QMEO/A,QME8,QME8/A,QMH,QMH/A,QMT2,QMT2/A,QMX2,QNE,QNE2,QNE2/A,QNE6,QNE9,QNE9/A,QNR2,QNR2/A,QNR6,QNR6/A,QN18,QP,QP/A,QPE2,QT,QT/A,QTC2,QTC2/A,QWH2,QWH2/A,QX,QX/A,QXB,QXB/A,QXB7,QXB7/A,QXC,QXC/A,QXC4,QXC4/A,QXC6,QXC6/A,QXC9,QXC9/A,QXE,QXE/A,QXEB,QXE2,QXE4,QXE4/A,QXE6,QXE6/A,QXE8,QXE8/A,QXQ4,QXQ4/A,QXU,QXU/A,QX2,SE,SE/A,SH,SH/A,SHB1,SHB3,SHB3/A,SHE,SHEZ,SHQ4,SHQ4/A,SHT,SJ,SJ/A,SJG,SJG/A,SKE,SKE/A,SKZ,SKZ/A,SME0,SME0/A,SME2,SMX2,SMX2/A,STP,STP/A,STQ,STQ/A,STR,STR/A,SWX,SWX/A,SX,SX/A,SXB,SXB/A,SXB7,SXB7/A,SXE,SXE/A,SXEB,SXEB/A,SXE2,SXE4,SXE4/A,SXE8,SXE8/A,SXP,SXQ4,SXQ4/A,SXU,SXU/A,VA,VAA,VAAE,VAD2,VAD2/A,VAH1,VAH2,VAW1,VA2,VA2/A,VDE,VDE2,VDE2/A,VD16,VE,VEB6,VH,VHE,VH12,VH12/A,VH22,VH22/A,VMX,VNG,VNG1,VNG2,VSH7,VWA,VWA2,VWC2,VWC2/A,VWE2,VWE2/A,VWS2,VWS2/A,VW12,VW12/A,VX,VX/A,VXA,VXB,VXB/A,VXB2,VXB7,VXB7/A,VXE,VXE/A,VXEB,VXEB/A,VXE2,VXE2/A,VXE4,VXE6,VXE7,VXE7/A,VXE8,VXE8/A,VXG,VXK,VXQ4,VXQ4/A,VXU,VXU/A,VXU1,VXU1/A,VX16,VX16/A,VX8,VX8/A,YJ | |
| | | | - | (1) | - | | |
| 25 | 16615-ZE2-810 | SPRING, RETURN | 1 | - | - | LKE,LKE/A,LWD,SDE,STJ,STJ/A | |
| | | | - | (1) | - | | |
| 26 | 16953-ZE1-811 | LEVER, COCK | 1 | (1) | - | BE47A A LHC,L1,P1,QHC,QXC,QXC4,Q1,SHT,S1,V1 | |
| | | (CARBURETOR NO.) | 1 | - | - | BE34B B BJ,ED7,ED8,ED9,EN,ES,ES1,ET,ETS,ETX,HA,HH,HX,LH,LHB1,LHB3,LHE,LHQ4,LJ,LJG,LKE,LP,LX,LXE,LXE4,LXQ4,LXZ,PX,QA,QAE,QAP,QAPE,QE,QH,QHB3,QHE,QHQ4,QMEO,QNE,QN18,QP,QT,QX,QXB,QXE,QXEB,QXE4,QXQ4,SDE,SE,SH,SHB1,SHB3,SHE,SHEZ,SHQ4,SJ,SJG,SKZ,SME0,STJ,STP,STQ,SWX,SX,SXB,SXE,SXEB,SXE4,SXP,SXQ4,VA,VAA,VAAE,VAH1,VAH2,VAW1,VDE,VD16,VE,VEB6,VH,VHE,VNG,VNG1,VNG2,VWA,VX,VXA,VXB,VXE,VXEB,VXE4,VXG,VXQ4,VXU,VXU1,VX16,YJ | |
| | | // | 1 | - | - | BE80A A HAQ,QAQ,QNE9 | |
| | | // | 1 | - | - | BE80B A HA2,HX2,HX26,LXE2,LXE6,LX2,LX26,PKT2,QAE2,QAE6,QAP2,QA2,QA26,QH2,QMT2,QNE2,QNE6,QNR2,QNR6,QPE2,QTC2,QXE2,QXE6,QX2,SME2,SMX2,SXE2,VAD2,VA2,VDE2,VH12,VH22,VWA2,VWC2,VWE2,VWS2,VW12,VXB2,VXE2,VXE6 | |
| | | // | 1 | - | - | BE80C A QDW9,QXC6,QXC9 | |

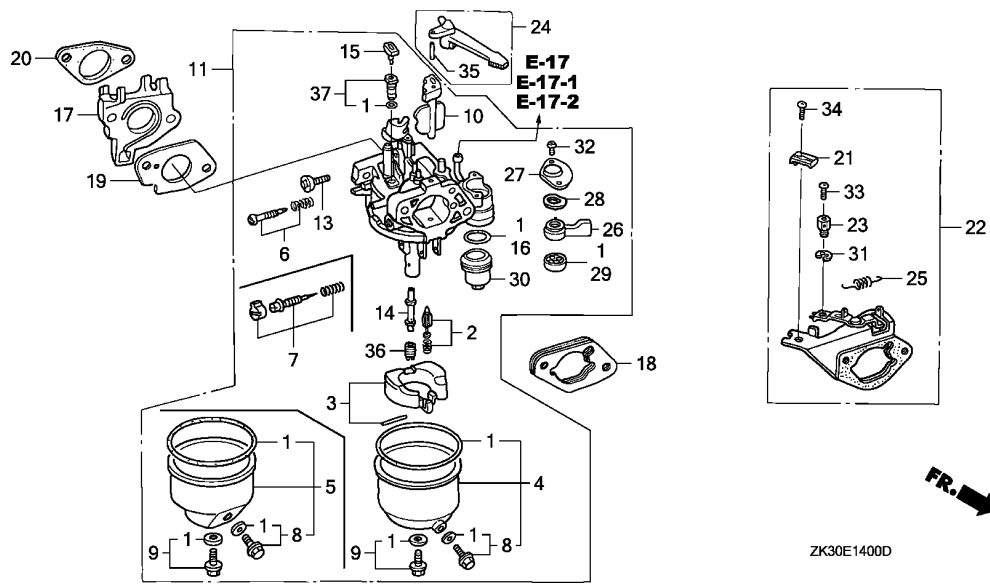




| Ref. No. | Part No. | Description | Reqd. QTY | | | Serial No. | Parts catalogue code |
|----------|---------------|-------------------|-----------|-------|-----|------------|---|
| | | | GX | 340K1 | | | |
| | | | (1) | (2) | (3) | | |
| 26) | 16953-ZE1-812 | LEVER, COCK | 1 | (1) | - | ----- | EDK,EDN5,EDN5/A,ED8/A,ED9/A,ES1/A,ES2,HA2/A,HX26/A,LH/A,LHB3/A,LHB5,LHE/A,LHQ4/A,LHW,LJ/A,LJG/A,LJS,LJS/A,LJS1,LKE/A,LSX,LT,LT/A,LWD,LX/A,LXE/A,LXE2/A,LXE4/A,LXE8,LXE8/A,LXQ4/A,LXU,LXU/A,LX2/A,LX26/A,L1/A,PKT2/A,PKT4,PKT4/A,PKX2,PKX4,PKX4/A,PX/A,PXA2,PXE8,PXE8/A,P1/A,QAB2,QAB2/A,QAC2,QAC2/A,QAE2/A,QAE6/A,QAG,QAG/A,QA2,QA2/A,QAP2/A,QA2/A,QA26/A,QDW9/A,QE/A,QH/A,QHB3/A,QHB5,QHE/A,QHP1,QHP1/A,QHQ4/A,QKA4,QKA4/A,QL2,QMEO/A,QME8,QME8/A,QMH,QMH/A,QMT2/A,QMX2,QNE2/A,QNE9/A,QNR2/A,QNR6/A,QP/A,QT/A,QTC2/A,QWH2,QWH2/A,QX/A,QXB/A,QXB7,QXB7/A,QXC/A,QXC4/A,QXC6/A,QXC9/A,QXE/A,QXE4/A,QXE6/A,QXE8,QXE8/A,QXQ4/A,QXU,QXU/A,Q1/A,SE/A,SH/A,SHB3/A,SHQ4/A,SJ/A,SJG/A,SKE,SKE/A,SKZ/A,SMEO/A,SMX2/A,STJ/A,STP/A,STQ/A,STR,STR/A,SWX/A,SX/A,SXB/A,SXB7,SXB7/A,SXE/A,SXEB/A,SXE4/A,SXE8,SXE8/A,SXQ4/A,SXU,SXU/A,S1/A,VAD2/A,VA2/A,VDE2/A,VH12/A,VH22/A,VMX,VSH7,VWC2/A,VWE2/A,VWS2/A,VW12/A,VX/A,VXB/A,VXB7,VXB7/A,VXE/A,VXE4/A,VXE7,VXE7/A,VXE8,VXE8/A,VXK,VXQ4/A,VXU/A,VXU1/A,VX16/A,VX8,VX8/A |

| Ref. No. | Part No. | Description | Reqd. QTY | | | Serial No. | Parts catalogue code |
|----------|---------------|--|-----------|-----|-----|------------|---|
| | | | (1) | (2) | (3) | | |
| 26) | 16953-ZE1-812 | LEVER, COCK (CARBURETOR NO.) | 1 | (1) | - | BE34B C | ----- BJ, ED7, ED8, ED9, EN, ES, ES1, ET, ETS, ETX, HA, HH, HX, LH, LHB1, LHB3, LHE, LHQ4, LJ, LJG, LKE, LP, LX, LXE, LXE4, LXQ4, LXZ, L1, PX, P1, QA, QAE, QAP, QAPE, QE, QH, QHB3, QHE, QHQ4, QMEO, QNE, QN18, QP, QT, QX, QXB, QXE, QXEB, QXE4, QXQ4, Q1, SDE, SE, SH, SHB1, SHB3, SHE, SHEZ, SHQ4, SJ, SJG, SKZ, SMEO, STJ, STP, STQ, SWX, SX, SXB, SXE, SXEB, SXE4, SXP, SXQ4, S1, VA, VAA, VAAE, VAH1, VAH2, VAW1, VDE, VD16, VE, VEB6, VH, VHE, VNG, VNG1, VNG2, VWA, VX, VXA, VXB, VXE, VXEB, VXE4, VXG, VXQ4, VXU, VXU1, VX16, V1, YJ |
| | | // | 1 | - | - | BE47A B | ----- LHC, QHC, QXC, QXC4, SHT |
| | | // | 1 | - | - | BE80A B | ----- HAQ, QAQ, QNE9 |
| | | // | 1 | - | - | BE80B B | ----- HA2, HX2, HX26, LXE2, LXE6, LX2, LX26, PKT2, QAE2, QAE6, QAP2, QA2, QA26, QH2, QMT2, QNE2, QNE6, QNR2, QNR6, QPE2, QTC2, QXE2, QXE6, QX2, SME2, SMX2, SXE2, VAD2, VA2, VDE2, VH12, VH22, VWA2, VWC2, VWE2, VWS2, VW12, VXB2, VXE2, VXE6, QDW9, QXC6, QXC9 |
| 27 | 16954-ZE1-811 | PLATE, LEVER SETTING (CARBURETOR NO.) | 1 | - | - | BE34B B | ED7, ED8, ED9, EN, ES, ES1, ET, ETS, ETX, HH, HX, LH, LHB1, LHB3, LHE, LHQ4, LKE, LP, LXE, LXE4, LXQ4, LXZ, PX, QE, QH, QHB3, QHE, QHQ4, QMEO, QP, QT, QX, QXB, QXE, QXEB, QXE4, QXQ4, SE, SH, SHB1, SHB3, SHE, SHEZ, SHQ4, SMEO, SWX, SX, SXB, SXE, SXEB, SXE4, SXQ4, VAA, VAAE, VD16, VE, VEB6, VH, VHE, VNG, VNG1, VNG2, VX, VXB, VXEB, VXE4, VXG, VXQ4, VXU, VXU1, VX16 |
| | | // | 1 | - | - | BE47A A | LHC, QHC, QXC4, SHT |
| | | // | 1 | - | - | BE80B A | HX26, LXE2, LXE6, LX26, PKT2, QAE6, QA26, QMT2, QNE6, QNR2, QNR6, QTC2, QXE6, SME2, SMX2, SXE2, VAD2, VDE2, VH22, VWA2, VWC2, VWE2, VWS2, VW12, VXB2, VXE6 |
| | | // | 1 | - | - | BE80B B | HA2, HX2, LX2, QAE2, QAP2, QA2, QH2, QNE2, QPE2, QXE2, QX2, VA2, VH12, VXE2, BJ, EDK, EDN5, EDN5/A, ED8/A, ED9/A, ES1/A, ES2, HA, HA2, HA26/A, LH/A, LHB3/A, LHB5, LHE/A, LHQ4/A, LHW, LJ, LJ/A, LJG, LJG/A, LJS, LJS/A, LJS1, LKE/A, LSX, LT, LT/A, LWD, LX, LX/A, LXE/A, LXE2/A, LXE4/A, LXEB, LXEB/A, LXQ4/A, LXU, LXU/A, LX2/A, LX26/A, PKT2/A, PKT4, PKT4/A, PKX2, PKX4, PKX4/A, PX/A, PXA2, PXE8, PXE8/A, QA, QAB2, QAB2/A, QAC2, QAC2/A, QAE, QAE2/A, QAE6/A, QAG, QAG/A, QAH2, QAH2/A, QAP, QAPE, QAP2/A, QA2/A, QA26/A, QDW9/A, QE/A, QH/A, QHB3/A, QHB5, QHE/A, QHP1, QHP1/A, QHQ4/A, QKA4, QKA4/A, QL2, QMEO/A, QME8, QME8/A, QMH, QMH/A, QMT2/A, QMX2, QNE, QNE2/A, QNE9/A, QNR2/A, QNR6/A, QN18, QP/A, QT/A, QTC2/A, QWH2, QWH2/A, QX/A, QXB/A, QXB7, QXB7/A, QXC, QXC/A, QXC4/A, QXC6/A, QXC9/A, QXE/A, QXE4/A, QXE6/A, QXE8, QXE8/A, QXQ4/A, QXU, QXU/A, SDE, SE/A, SH/A, SHB3/A, SHQ4/A, SJ, SJ/A, SJG, SJG/A, SKE, SKE/A, SKZ, SKZ/A, SMEO/A, SMX2/A, STJ, STJ/A, STP, STP/A, STQ, STQ/A, STR, STR/A, SWX/A, SX/A, SXB/A, SXB7, SXB7/A, SXE/A, SXEB/A, SXE4/A, SXE8, SXE8/A, SXP, SXQ4/A, SXU, SXU/A, VA, VAD2/A, VAH1, VAH2, VAW1, VA2/A, VDE, VDE2/A, VH12/A, VH22/A, VMX, VSH7, VWA, VWC2/A, VWE2/A, VWS2/A, VW12/A, VX/A, VXA, VXB/A, VXB7, VXB7/A, VXE, VXE/A, VXEB/A, VXEB/A, VXE7, VXE7/A, VXE8, VXE8/A, VXE, VXQ4/A, VXU/A, VXU1/A, VX16/A, VX8, VX8/A, YJ |
| | 16954-ZE1-812 | (CARBURETOR NO.) | 1 | - | - | BE34B C | ----- ED7, ED8, ED9, EN, ES, ES1, ET, ETS, ETX, HH, HX, LH, LHB1, LHB3, LHE, LHQ4, LKE, LP, LXE, LXE4, LXQ4, LXZ, PX, QE, QH, QHB3, QHE, QHQ4, QMEO, QP, QT, QX, QXB, QXE, QXEB, QXE4, QXQ4, SE, SH, SHB1, SHB3, SHE, SHEZ, SHQ4, SMEO, SWX, SX, SXB, SXE, SXEB, SXE4, SXQ4, VAA, VAAE, VD16, VE, VEB6, VH, VHE, VNG, VNG1, VNG2, VX, VXB, VXEB, VXE4, VXG, VXQ4, VXU, VXU1, VX16 |
| | | // | 1 | - | - | BE47A B | LHC, QHC, QXC4, SHT |
| | | // | 1 | - | - | BE80A B | HAQ, QAQ, QNE9 |
| | | // | 1 | - | - | BE80B B | HA2, HX2, HX26, LXE2, LXE6, LX2, LX26, PKT2, QAE2, QAE6, QAP2, QA2, QA26, QH2, QMT2, QNE2, QNE6, QNR2, QNR6, QPE2, QTC2, QXE2, QXE6, QX2, SME2, SMX2, SXE2, VAD2, VA2, VDE2, VH12, VH22, VWA2, VWC2, VWE2, VWS2, VW12, VXB2, VXE2, VXE6, QDW9, QXC6, QXC9 |
| | | // | 1 | - | - | BE80C B | ----- |
| | | // | - | (1) | - | | |
| | 16954-ZF0-841 | (CARBURETOR NO.) | 1 | - | - | BE80A A | HAQ, QAQ, QNE9 |
| | | // | 1 | - | - | BE80C A | QDW9, QXC6, QXC9 |





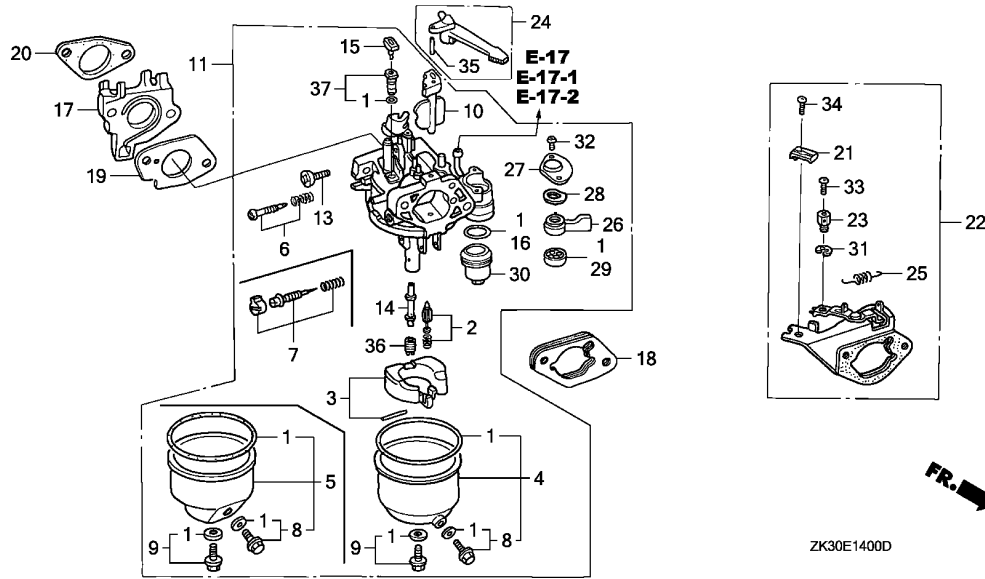
2

| Ref. No. | Part No. | Description | Reqd. QTY | | | Serial No. | Parts catalogue code |
|----------|---------------|--------------------------|-----------|-------|-----|------------|---|
| | | | GX | 340K1 | (3) | | |
| 28 | 16956-ZE1-811 | SPRING, COCK LEVER | 1 | - | - | ----- | BJ,EDK,EDN5,EDN5/A,ED7,ED8,ED8/A,ED9,ED9/A,EN,ES,ES1,ES1/A,ES2,ETS,ETX,HA,HAQ,HA2,HA2/A,HH,HX,HX2,HX26,HX26/A,LH,LH/A,LHB1,LHB3,LHB3/A,LHB5,LHC,LHE,LHE/A,LHQ4,LHQ4/A,LHW,LJ,LJ/A,LJG,LJG/A,LJS,LJS/A,LJS1,LKE,LKE/A,LP,LSX,LT,LT/A,LWD,LX,LX/A,LXE,LXE/A,LXE2,LXE2/A,LXE4,LXE4/A,LXE6,LXE8,LXE8/A,LXQ4,LXQ4/A,LXU,LXU/A,LXZ,LX2,LX2/A,LX26,LX26/A,PKT2,PKT2/A,PKT4,PKT4/A,PKX2,PKX4,PKX4/A,PX,PX/A,PXA2,PXE8,PXE8/A,QA,QAB2,QAB2/A,QAC2,QAC2/A,QAE,QAE2,QAE2/A,QAE6,QAE6/A,QAG,QAG/A,QA2,QA2/A,QAH2,QAH2/A,QAP,QAPE,QAPE2,QAPE2/A,QAQ,QA2,QA2/A,QA26,QA26/A,QDW9,QDW9/A,QE,QE/A,QH,QH/A,QHB3,QHB3/A,QHB5,QHC,QHE,QHE/A,QHP1,QHP1/A,QHQ4,QHQ4/A,QH2,QKA4,QKA4/A,QL2,QMEO,QMEO/A,QME8,QME8/A,QMH,QMH/A,QMT2,QMT2/A,QMX2,QNE,QNE2,QNE2/A,QNE6,QNE9,QNE9/A,QNR2,QNR2/A,QNR6,QNR6/A,QN18,QP,QP/A,QPE2,QT,QT/A,QTC2,QTC2/A,QWH2,QWH2/A,QX,QX/A,QXB,QXB/A,QXB7,QXB7/A,QXC,QXC/A,QXC4,QXC4/A,QXC6,QXC6/A,QXC9,QXC9/A,QXE,QXE/A,QXEB,QXE2,QXE4,QXE4/A,QXE6,QXE6/A,QXE8,QXE8/A,QXQ4,QXQ4/A,QXU,QXU/A,QX2,SDE,SE,SE/A,SH,SH/A,SHB1,SHB3,SHB3/A,SHE,SHEZ,SHQ4,SHQ4/A,SHT,SJ,SJ/A,SJG,SJG/A,SKE,SKE/A,SKZ,SKZ/A,SMEO,SMEO/A,SMX2,SMX2/A,STJ,STJ/A,STP,STP/A,STQ,STQ/A,STR,STR/A,SWX,SWX/A,SX,SX/A,SXB,SXB/A,SXB7,SXB7/A,SXE,SXE/A,SXEB,SXEB/A,SXE2,SXE4,SXE4/A,SXE8,SXE8/A,SXP,SXQ4,SXQ4/A,SXU,SXU/A,VA,VAA,VAAE,VAD2,VAD2/A,VAH1,VAH2,VAW1,VA2,VA2/A,VDE,VDE2,VDE2/A,VD16,VE,VEB6,VH,VHE,VH12,VH12/A,VH22,VH22/A,VMX,VNG,VNG1,VNG2,VSH7,VVA,VVA2,VWC2,VWC2/A,VWE2,VWE2/A,VWS2,VWS2/A,VW12,VW12/A,VX,VX/A,VXA,VXB,VXB/A,VXB2,VXB7,VXB7/A,VXE,VXE/A,VXEB,VXEB/A,VXE2,VXE2/A,VXE4,VXE6,VXE7,VXE7/A,VXE8,VXE8/A,VXG,VXK,VXQ4,VXQ4/A,VXU,VXU/A,VXU1,VXU1/A,VX16,VX16/A,VX8,VX8/A,YJ |

- (1) -

| Ref. No. | Part No. | Description | Reqd. QTY | | | Serial No. | Parts catalogue code |
|----------|---------------|--------------------------|-----------|-----|-----|------------|---|
| | | | (1) | (2) | (3) | | |
| 29 | 16957-ZE1-812 | PACKING, FUEL COCK | 1 | - | - | ----- | BJ,EDK,EDN5,EDN5/A,ED7,ED8,ED8/A,ED9,ED9/A,EN,ES,ES1,ES1/A,ES2,ETS,ETX,HA,HAQ,HA2,HA2/A,HH,HX,HX2,HX26,HX26/A,LH,LH/A,LHB1,LHB3,LHB3/A,LHB5,LHC,LHE,LHE/A,LHQ4,LHQ4/A,LHW,LJ,LJ/A,LJG,LJG/A,LJS,LJS/A,LJS1,LKE,LKE/A,LP,LSX,LT,LT/A,LWD,LX,LX/A,LXE,LXE/A,LXE2,LXE2/A,LXE4,LXE4/A,LXE6,LXE8,LXE8/A,LXQ4,LXQ4/A,LXU,LXU/A,LXZ,LXZ/A,LX2/A,LX26,LX26/A,PKT2,PKT2/A,PKT4,PKT4/A,PKX2,PKX4,PKX4/A,PX,PX/A,PXA2,PXE8,PXE8/A,QA,QAB2,QAB2/A,QAC2,QAC2/A,QAQ,QAQ2,QAQ2/A,QAQ,QA2,QA2/A,QA26,QA26/A,QDW9,QDW9/A,QE,QE/A,QH,QH/A,QHB3,QHB3/A,QHB5,QHC,QHE,QHE/A,QHP1,QHP1/A,QHQ4,QHQ4/A,QH2,QKA4,QKA4/A,QL2,QMEO,QMEO/A,QME8,QME8/A,QMH,QMH/A,QMT2,QMT2/A,QMX2,QNE,QNE2,QNE2/A,QNE6,QNE9,QNE9/A,QNR2,QNR2/A,QNR6,QNR6/A,QN18,QP,QP/A,QPE2,QT,QT/A,QTC2,QTC2/A,QWH2,QWH2/A,QX,QX/A,QXB,QXB/A,QXB7,QXB7/A,QXC,QXC/A,QXC4,QXC4/A,QXC6,QXC6/A,QXC9,QXC9/A,QXE,QXE/A,QXEB,QXE2,QXE4,QXE4/A,QXE6,QXE6/A,QXE8,QXE8/A,QXQ4,QXQ4/A,QXU,QXU/A,QX2,SDE,SE,SE/A,SH,SH/A,SHB1,SHB3,SHB3/A,SHE,SHEZ,SHQ4,SHQ4/A,SHT,SJ,SJ/A,SJG,SJG/A,SKE,SKE/A,SKZ,SKZ/A,SMEO,SMEO/A,SME2,SMX2,SMX2/A,STJ,STJ/A,STP,STP/A,STQ,STQ/A,STR,STR/A,SWX,SWX/A,SX,SX/A,SXB,SXB/A,SXB7,SXB7/A,SXE,SXE/A,SXEB,SXEB/A,SXE2,SXE4,SXE4/A,SXE8,SXE8/A,SXP,SXQ4,SXQ4/A,SXU,SXU/A,VA,VAA,VAAE,VAD2,VAD2/A,VAH1,VAH2,VAW1,VA2,VA2/A,VDE,VDE2,VDE2/A,VD16,VE,VEB6,VH,VHE,VH12,VH12/A,VH22,VH22/A,VMX,VNG,VNG1,VNG2,VSH7,VWA,VWA2,VWC2,VWC2/A,VWE2,VWE2/A,VWS2,VWS2/A,VW12,VW12/A,VX,VX/A,VXA,VXB,VXB/A,VXB2,VXB7,VXB7/A,VXE,VXE/A,VXEB,VXEB/A,VXE2,VXE2/A,VXE4,VXE6,VXE7,VXE7/A,VXE8,VXE8/A,VXG,VXK,VXQ4,VXQ4/A,VXU,VXU/A,VXU1,VXU1/A,VX16,VX16/A,VX8,VX8/A,YJ |
| | | | - | (1) | - | | |
| 30 | 16967-ZE0-811 | CUP, FUEL STRAINER | 1 | - | - | ----- | BJ,EDK,EDN5,EDN5/A,ED7,ED8,ED8/A,ED9,ED9/A,EN,ES,ES1,ES1/A,ES2,ETS,ETX,HA,HAQ,HA2,HA2/A,HH,HX,HX2,HX26,HX26/A,LH,LH/A,LHB1,LHB3,LHB3/A,LHB5,LHC,LHE,LHE/A,LHQ4,LHQ4/A,LHW,LJ,LJ/A,LJG,LJG/A,LJS,LJS/A,LJS1,LKE,LKE/A,LP,LSX,LT,LT/A,LWD,LX,LX/A,LXE,LXE/A,LXE2,LXE2/A,LXE4,LXE4/A,LXE6,LXE8,LXE8/A,LXQ4,LXQ4/A,LXU,LXU/A,LXZ,LXZ/A,LX2/A,LX26,LX26/A,PKT2,PKT2/A,PKT4,PKT4/A,PKX2,PKX4,PKX4/A,PX,PX/A,PXA2,PXE8,PXE8/A,QA,QAB2,QAB2/A,QAC2,QAC2/A,QAQ,QAQ2,QAQ2/A,QAQ,QA2,QA2/A,QA26,QA26/A,QDW9,QDW9/A,QE,QE/A,QH,QH/A,QHB3,QHB3/A,QHB5,QHC,QHE,QHE/A,QHP1,QHP1/A,QHQ4,QHQ4/A,QH2,QKA4,QKA4/A,QL2,QMEO,QMEO/A,QME8,QME8/A,QMH,QMH/A,QMT2,QMT2/A,QMX2,QNE,QNE2,QNE2/A,QNE6,QNE9,QNE9/A,QNR2,QNR2/A,QNR6,QNR6/A,QN18,QP,QP/A,QPE2,QT,QT/A,QTC2,QTC2/A,QWH2,QWH2/A,QX,QX/A,QXB,QXB/A,QXB7,QXB7/A,QXC,QXC/A,QXC4,QXC4/A,QXC6,QXC6/A,QXC9,QXC9/A,QXE,QXE/A,QXEB,QXE2,QXE4,QXE4/A,QXE6,QXE6/A,QXE8,QXE8/A,QXQ4,QXQ4/A,QXU,QXU/A,QX2,SDE,SE,SE/A,SH,SH/A,SHB1,SHB3,SHB3/A,SHE,SHEZ,SHQ4,SHQ4/A,SHT,SJ,SJ/A,SJG,SJG/A,SKE,SKE/A,SKZ,SKZ/A,SMEO,SMEO/A,SME2,SMX2,SMX2/A,STJ,STJ/A,STP,STP/A,STQ,STQ/A,STR,STR/A,SWX,SWX/A,SX,SX/A,SXB,SXB/A,SXB7,SXB7/A,SXE,SXE/A,SXEB,SXEB/A,SXE2,SXE4,SXE4/A,SXE8,SXE8/A,SXP,SXQ4,SXQ4/A,SXU,SXU/A,VA,VAA,VAAE,VAD2,VAD2/A,VAH1,VAH2,VAW1,VA2,VA2/A,VDE,VDE2,VDE2/A,VD16,VE,VEB6,VH,VHE,VH12,VH12/A,VH22,VH22/A,VMX,VNG,VNG1,VNG2,VSH7,VWA,VWA2,VWC2,VWC2/A,VWE2,VWE2/A,VWS2,VWS2/A,VW12,VW12/A,VX,VX/A,VXA,VXB,VXB/A,VXB2,VXB7,VXB7/A,VXE,VXE/A,VXEB,VXEB/A,VXE2,VXE2/A,VXE4,VXE6,VXE7,VXE7/A,VXE8,VXE8/A,VXG,VXK,VXQ4,VXQ4/A,VXU,VXU/A,VXU1,VXU1/A,VX16,VX16/A,VX8,VX8/A,YJ |
| | | | - | (1) | - | | |
| 31 | 90605-230-000 | CIRCLIP, 5MM | 1 | - | - | ----- | LKE,LKE/A,LWD,SDE,STJ,STJ/A |
| | | | - | (1) | - | | |



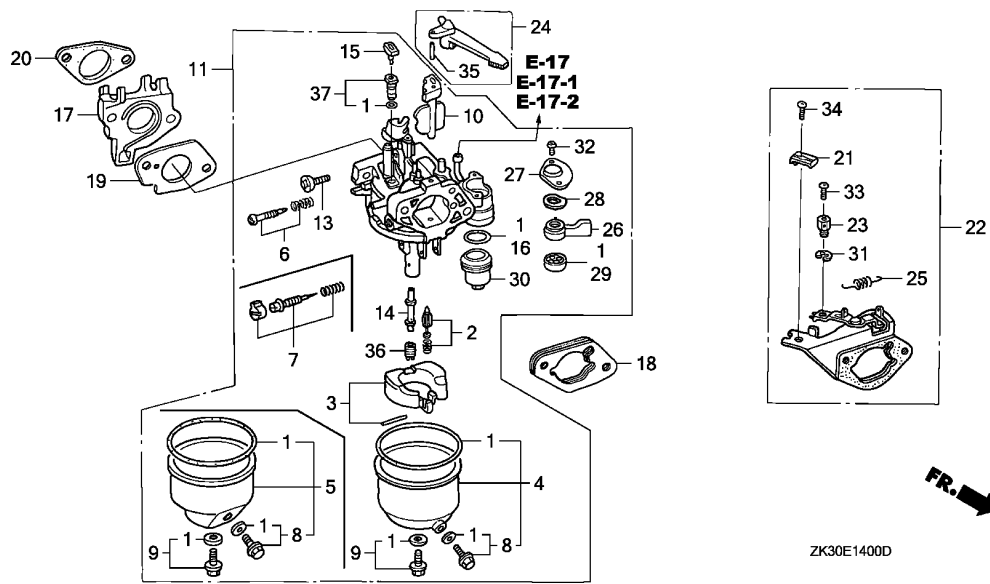


2

| Ref. No. | Part No. | Description | Reqd. QTY | | | Serial No. | Parts catalogue code |
|----------|----------------|-------------------------------------|-----------|-------|-----|------------|--|
| | | | GX | 340K1 | | | |
| | | | (1) | (2) | (3) | | |
| 32 | 93500-03008-1G | SCREW, PAN, 3X8 (CARBURETOR NO.) | 2 | (2) | - | BE34B B | BJ, ED7, ED8, ED9, EN, ES, ES1, ET, ETS, ETX, HA, HH, HX, LH, LHB1, LHB3, LHE, LHQ4, LJ, LJG, LKE, LP, LX, LXE, LXE4, LXQ4, LXZ, L1, PX, P1, QA, QAE, QAP, QAPE, QE, QH, QHB3, QHE, QHQ4, QMED, QNE, QN18, QP, QT, QX, QXB, QXE, QXEB, QXE4, QXQ4, Q1, SDE, SE, SH, SHB1, SHB3, SHE, SHEZ, SHQ4, SJ, SJG, SKZ, SMEO, STJ, STP, STQ, SWX, SX, SXB, SXE, SXEB, SXE4, SXP, SXQ4, S1, VA, VAA, VAAE, VAH1, VAH2, VAW1, VDE, VD16, VE, VEB6, VH, VHE, VNG, VNG1, VNG2, VWA, VX, VXA, VXB, VXE, VXEB, VXE4, VXG, VXQ4, VXU, VXU1, VX16, V1, YJ |
| | // | | 2 | - | - | BE47A A | LHC, QHC, QXC, QXC4, SHT |
| | // | | 2 | - | - | BE80A A | HAQ, QAQ, QNE9 |
| | // | | 2 | - | - | BE80B A | HA2, HX2, HX26, LXE2, LXE6, LX2, LX26, PKT2, QAE2, QAE6, QAP2, QA2, QA26, QH2, QMT2, QNE2, QNE6, QNR2, QNR6, QPE2, QTC2, QXE2, QXE6, QX2, SME2, SMX2, SXE2, VAD2, VA2, VDE2, VH12, VH22, VWA2, VMC2, VWE2, VWS2, VW12, VXB2, VXE2, VXE6 |
| | // | | 2 | - | - | BE80C A | QDW9, QXC6, QXC9 |

| Ref. No. | Part No. | Description | Reqd. QTY | | | Serial No. | Parts catalogue code |
|----------|----------------|--------------------------|-----------|-----|-----|---------------|---|
| | | | (1) | (2) | (3) | | |
| 32) | 93500-03006-1H | SCREW, PAN, 3X6 | 2 | (2) | - | ----- | EDK,EDN5,EDN5/A,ED8/A,ED9/A,ES1/A,ES2,HA2/A,HX26/A,LH/A,LHB3/A,LHB5,LHE/A,LHQ4/A,LHW,LJ/A,LJG/A,LJS,LJS/A,LJS1,LKE/A,LSX,LT,LT/A,LWD,LX/A,LXE/A,LXE2/A,LXE4/A,LXE8,LXE8/A,LXQ4/A,LXU,LXU/A,LX2/A,LX26/A,L1/A,PKT2/A,PKT4,PKT4/A,PKX2,PKX4,PKX4/A,PX/A,PXA2,PXE8,PXE8/A,P1/A,QAB2,QAB2/A,QAC2,QAC2/A,QAE2/A,QAE6/A,QAG,QAG/A,QA2,QA2/A,QAP2/A,QA2/A,QA26/A,QDW9/A,QE/A,QH/A,QHB3/A,QHB5,QHE/A,QHP1,QHP1/A,QHQ4/A,QKA4,QKA4/A,QL2,QMEO/A,QME8,QME8/A,QMH,QMH/A,QMT2/A,QMX2,QNE2/A,QNE9/A,QNR2/A,QNR6/A,QP/A,QT/A,QTC2/A,QWH2,QWH2/A,QX/A,QXB/A,QXB7,QXB7/A,QXC/A,QXC4/A,QXC6/A,QXC9/A,QXE/A,QXE4/A,QXE6/A,QXE8,QXE8/A,QXQ4/A,QXU,QXU/A,Q1/A,SE/A,SH/A,SHB3/A,SHQ4/A,SJ/A,SJG/A,SKE,SKE/A,SKZ/A,SME0/A,SMX2/A,STJ/A,STP/A,STQ/A,STR,STR/A,SWX/A,SX/A,SXB/A,SXB7,SXB7/A,SXE/A,SXEB/A,SXE4/A,SXE8,SXE8/A,SXQ4/A,SXU,SXU/A,S1/A,VAD2/A,VA2/A,VDE2/A,VH12/A,VH22/A,VMX,VSH7,VWC2/A,VWE2/A,VWS2/A,VW12/A,VX/A,VXB/A,VXB7,VXB7/A,VXE/A,VXEB/A,VXE2/A,VXE7,A,VXE8,VXE8/A,VXK,VXQ4/A,VXU/A,VXU1/A,VX16/A,VX8,VX8/A |
| | | (CARBURETOR NO.) | 2 | (2) | - | BE34B C ----- | BJ,ED7,ED8,ED9,EN,ES,ES1,ET,ETS,ETX,HA,HH,HX,LH,LHB1,LHB3,LHE,LHQ4,LJ,LJG,LKE,LP,LX,LXE,LXE4,LXQ4,LXZ,L1,PX,P1,QA,QAQ,QAP,QAPE,QE,QH,QHB3,QHE,QHQ4,QMEO,QNE,QN18,QP,QT,QX,QXB,QXE,QXEB,QXE4,QXQ4,Q1,SDE,SE,SH,SHB1,SHB3,SHE,SHEZ,SHQ4,SJ,SJG,SKZ,SME0,STJ,STP,STQ,SWX,SX,SXB,SXE,SXEB,SXE4,SXP,SXQ4,S1,VA,VAA,VAE,VAH1,VAH2,VAW1,VDE,VD16,VE,VEB6,VH,VHE,VNG,VNG1,VNG2,VWA,VX,VXA,VXB,VXE,VXEB,VXE4,VXG,VXQ4,VXU,VXU1,VX16,V1,YJ |
| | | // | 2 | - | - | BE47A B ----- | LHC,QHC,QXC,QXC4,SHT |
| | | // | 2 | - | - | BE80A B ----- | HAQ,QAQ,QNE9 |
| | | // | 2 | - | - | BE80B B ----- | HA2,HX2,HX26,LXE2,LXE6,LX2,LX26,PKT2,QAE2,QAE6,QAP2,QA2,QA26,QH2,QMT2,QNE2,QNE6,QNR2,QNR6,QPE2,QTC2,QXE2,QXE6,QX2,SME2,SMX2,SXE2,VAD2,VA2,VDE2,VH12,VH22,VWA2,VWC2,VWE2,VWS2,VW12,VXB2,VXE2,VXE6,QDW9 |
| | | // | 2 | - | - | BE80C A ----- | QXC6,QXC9 |
| | | // | 2 | - | - | BE80C B ----- | LKE,LKE/A,LWD,SDE,STJ,STJ/A |
| 33 | 93500-04006-0H | SCREW, PAN, 4X6 | 1 | - | - | ----- | LKE,LKE/A,LWD,SDE,STJ,STJ/A |
| 34 | 93893-05016-00 | SCREW-WASHER, 5X16 | 1 | - | - | ----- | LKE,LKE/A,LWD,SDE,STJ,STJ/A |
| | | | - | (1) | - | ----- | |



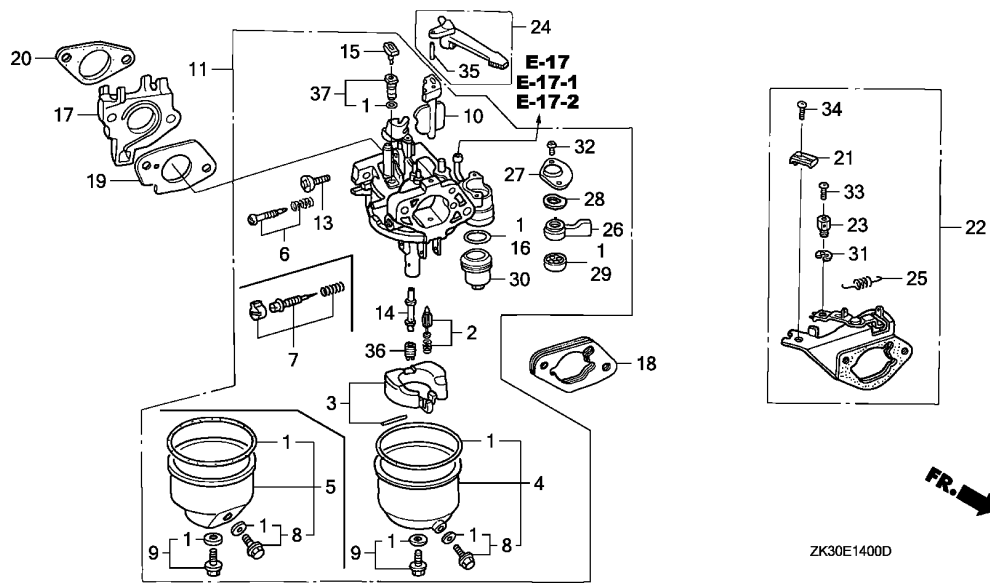


2

| Ref. No. | Part No. | Description | Reqd. QTY | | | Serial No. | Parts catalogue code |
|----------|----------------|-------------------------|-----------|-------|-----|------------|---|
| | | | GX | 340K1 | (3) | | |
| 35 | 94305-20122 | PIN, SPRING, 2X12 | 1 | - | - | ----- | BJ,EDK,EDN5,EDN5/A,ED7,ED8,ED8/A,ED9,ED9/A,EN,ES,ES1,ES1/A,ES2,ETS,ETX,HA,HAQ,HA2,HA2/A,HH,HX,HX2,HX26,HX26/A,LH,LH/A,LHB1,LHB3,LHB3/A,LHB5,LHC,LHE,LHE/A,LHQ4,LHQ4/A,LHW,LJ,LJ/A,LJG,LJG/A,LJS,LJS/A,LJS1,LP,LSX,LT,LT/A,LX,LX/A,LXE,LXE/A,LXE2,LXE2/A,LXE4,LXE4/A,LXE6,LXE8,LXE8/A,LXQ4,LXQ4/A,LXU,LXU/A,LXZ,LXZ/A,LX26,LX26/A,PKT2,PKT2/A,PKT4,PKT4/A,PKX2,PKX4,PKX4/A,PX,PX/A,PXA2,PXE8,PXE8/A,QA,QAB2,QAB2/A,QAC2,QAC2/A,QAE,QAE2,QAE2/A,QAE6,QAE6/A,QAG,QAG/A,QA2,QA2/A,QAP,QAPE,QAP2,QAP2/A,QAQ,QA2,QA2/A,QA26,QA26/A,QDW9,QDW9/A,QE,QE/A,QH,QH/A,QHB3,QHB3/A,QHB5,QHC,QHE,QHE/A,QHP1,QHP1/A,QHQ4,QHQ4/A,QH2,QKA4,QKA4/A,QL2,QMEO,QMED/A,QME8,QME8/A,QMH,QMH/A,QMT2,QMT2/A,QMX2,QNE,QNE2,QNE2/A,QNE6,QNE9,QNE9/A,QNR2,QNR2/A,QNR6,QNR6/A,QN18,QP,QP/A,QPE2,QT,QT/A,QTC2,QTC2/A,QWH2,QWH2/A,QX,QX/A,QXB,QXB/A,QXB7,QXB7/A,QXC,QXC/A,QXC4,QXC4/A,QXC6,QXC6/A,QXC9,QXC9/A,QXE,QXE/A,QXEB,QXE2,QXE4,QXE4/A,QXE6,QXE6/A,QXE8,QXE8/A,QXQ4,QXQ4/A,QXU,QXU/A,QX2,SE,SE/A,SH,SH/A,SHB1,SHB3,SHB3/A,SHE,SHEZ,SHQ4,SHQ4/A,SHT,SJ,SJ/A,SJG,SJG/A,SKE,SKE/A,SKZ,SKZ/A,SME0,SME0/A,SME2,SMX2,SMX2/A,STP,STP/A,STQ,STQ/A,STR,STR/A,SWX,SWX/A,SX,SX/A,SXB,SXB/A,SXB7,SXB7/A,SXE,SXE/A,SXEB,SXEB/A,SXE2,SXE4,SXE4/A,SXE8,SXE8/A,SXP,SXQ4,SXQ4/A,SXU,SXU/A,VA,VA,VAA,VAE,VAD2,VAD2/A,VAH1,VAH2,VAW1,VA2,VA2/A,VDE,VDE2,VDE2/A,VD16,VE,VEB6,VH,VHE,VH12,VH12/A,VH22,VMX,VNG,VNG1,VNG2,VSH7,VWA,VWA2,VWC2,VWC2/A,VWE2,VWE2/A,VWS2,VWS2/A,VW12,VW12/A,VX,VX/A,VXA,VXB,VXB/A,VXB2,VXB7,VXB7/A,VXE,VXE/A,VXEB,VXEB/A,VXE2,VXE2/A,VXE4,VXE6,VXE7,VXE7/A,VXE8,VXE8/A,VXG,VXK,VXQ4,VXQ4/A,VXU,VXU/A,VXU1,VXU1/A,VX16,VX16/A,VX8,VX8/A,YJ |
| | | | - | (1) | - | | |
| 36 | 99101-ZH8-1020 | JET, MAIN, #102 | (1) | (1) | - | ----- | LHC,QHC,QXC4,QXC4/A,Q1,Q1/A,SHT,S1,S1/A |
| | | (CARBURETOR NO.) | (1) | - | - | ----- | BE47A B QXC |

| Ref. No. | Part No. | Description | Reqd. QTY | | | Serial No. | Parts catalogue code |
|----------|----------------|-------------------------------------|-----------|-----|-----|------------|---|
| | | | (1) | (2) | (3) | | |
| 36) | 99101-ZH8-1050 | JET, MAIN, #105 (CARBURETOR NO.) | (1) | (1) | - | ----- | LHC,QHC,QXC4,QXC4/A,Q1,Q1/A,SHT,S1,S1/A |
| | 99101-ZH8-1080 | JET, MAIN, #108 (CARBURETOR NO.) | 1 | (1) | - | ----- | BE47A B QXC LHC,QHC,QXC4,QXC4/A,Q1,Q1/A,SHT,S1,S1/A |
| | 99101-ZF5-0920 | JET, MAIN, #92 (CARBURETOR NO.) | (1) | (1) | - | ----- | BE34B B BJ,ED7,ED8,ED9,EN,ES,ES1,ET,ETS,ETX,HA,HH,HX,LH,LHB1,LHB3,LHE LHQ4,LJ,LJG,LKE,LX,LXE,LXE4,LXQ4,LXZ,L1,PX,P1,QA,QAE,QAP,QAPE,QE QH,QHB3,QHE,QHQ4,QMEO,QNE,QN18,QP,QT,QX,QXB,QXE,QXEB,QXE4,QXQ4,Q1 SDE,SE,SH,SHB1,SHB3,SHE,SHEZ,SHQ4,SJ,SJG,SKZ,SMEO,STJ,STP,STQ,SWX SX,SBX,SXE,SXEB,SXE4,SXP,SXQ4,S1,VA,VAA,VAE,VAH1,VAH2,VAW1,VDE VD16,VE,VEB6,VH,VHE,VNG,VNG1,VNG2,VVA,VX,VXA,VXB,VXE,VXEB,VXE4 VXG,VXQ4,VXU,VXU1,VX16,V1,YJ |
| | 99101-ZF5-0950 | JET, MAIN, #95 (CARBURETOR NO.) | (1) | (1) | - | ----- | BE34B B BJ,ED7,ED8,ED9,EN,ES,ES1,ET,ETS,ETX,HA,HH,HX,LH,LHB1,LHB3,LHE LHQ4,LJ,LJG,LKE,LX,LXE,LXE4,LXQ4,LXZ,L1,PX,P1,QA,QAE,QAP,QAPE,QE QH,QHB3,QHE,QHQ4,QMEO,QNE,QN18,QP,QT,QX,QXB,QXE,QXEB,QXE4,QXQ4,Q1 SDE,SE,SH,SHB1,SHB3,SHE,SHEZ,SHQ4,SJ,SJG,SKZ,SMEO,STJ,STP,STQ,SWX SX,SBX,SXE,SXEB,SXE4,SXP,SXQ4,S1,VA,VAA,VAE,VAH1,VAH2,VAW1,VDE VD16,VE,VEB6,VH,VHE,VNG,VNG1,VNG2,VVA,VX,VXA,VXB,VXE,VXEB,VXE4 VXG,VXQ4,VXU,VXU1,VX16,V1,YJ |
| | 99101-ZF5-0980 | JET, MAIN, #98 (CARBURETOR NO.) | 1 | (1) | - | ----- | BE34B B BJ,ED7,ED8,ED9,EN,ES,ES1,ET,ETS,ETX,HA,HH,HX,LH,LHB1,LHB3,LHE LHQ4,LJ,LJG,LKE,LX,LXE,LXE4,LXQ4,LXZ,L1,PX,P1,QA,QAE,QAP,QAPE,QE QH,QHB3,QHE,QHQ4,QMEO,QNE,QN18,QP,QT,QX,QXB,QXE,QXEB,QXE4,QXQ4,Q1 SDE,SE,SH,SHB1,SHB3,SHE,SHEZ,SHQ4,SJ,SJG,SKZ,SMEO,STJ,STP,STQ,SWX SX,SBX,SXE,SXEB,SXE4,SXP,SXQ4,S1,VA,VAA,VAE,VAH1,VAH2,VAW1,VDE VD16,VE,VEB6,VH,VHE,VNG,VNG1,VNG2,VVA,VX,VXA,VXB,VXE,VXEB,VXE4 VXG,VXQ4,VXU,VXU1,VX16,V1,YJ |
| | 99101-ZH8-0920 | JET, MAIN, #92 (CARBURETOR NO.) | (1) | (1) | - | ----- | LHW,LSX,LT,LT/A,L1/A,PXE8,PXE8/A,P1/A,QKA4,QKA4/A,QME8,QME8/A QP/A,QT/A,Q1/A,STJ/A,SWX/A,S1/A |
| | /// | /// | (1) | - | - | ----- | BE34B C BJ,HA,HH,HX,LHB1,LXZ,L1,P1,QA,QAE,QAP,QAPE,QNE,QP,QT,QXEB,Q1,SHEZ STJ,SWX,SXP,S1,VAH1,VAH2,VAW1,VDE,VVA,V1,YJ |
| | /// | /// | (1) | - | - | ----- | BE34B C LXE8,LXU,PKX4,QHP1,QMH,QXE8,QXU,SKE,STR,SXE8,SXU |
| | /// | /// | (1) | - | - | ----- | BE34B C BE34B C ED7,ED8,ED9,EN,ES,ES1,ET,ETS,ETX,LH,LHB3,LHE,LHQ4,LJ,LJG,LKE,LX LXE,LXE4,LXQ4,PX,QE,QH,QHB3,QHE,QHQ4,QMEO,QN18,QX,QXB,QXE,QXE4 QXQ4,SDE,SE,SH,SHB1,SHB3,SHE,SHQ4,SJ,SJG,SKZ,SMEO,STP,STQ,SX,SBX SXE,SXEB,SXE4,SXQ4,VA,VAA,VAE,VD16,VE,VEB6,VH,VHE,VNG,VNG1,VNG2 VX,VXA,VXB,VXE,VXEB,VXE4,VXG,VXQ4,VXU,VXU1,VX16 |
| | 99101-ZH8-0950 | JET, MAIN, #95 (CARBURETOR NO.) | (1) | (1) | - | ----- | LHW,LSX,LT,LT/A,L1/A,PXE8,PXE8/A,P1/A,QKA4,QKA4/A,QME8,QME8/A QP/A,QT/A,Q1/A,STJ/A,SWX/A,S1/A |
| | /// | /// | (1) | - | - | ----- | BE34B C BJ,HA,HH,HX,LHB1,LXZ,L1,P1,QA,QAE,QAP,QAPE,QNE,QP,QT,QXEB,Q1,SHEZ STJ,SWX,SXP,S1,VAH1,VAH2,VAW1,VDE,VVA,V1,YJ |
| | /// | /// | (1) | - | - | ----- | BE34B C BE34B C ED7,ED8,ED9,EN,ES,ES1,ET,ETS,ETX,LH,LHB3,LHE,LHQ4,LJ,LJG,LKE,LX LXE,LXE4,LXQ4,PX,QE,QH,QHB3,QHE,QHQ4,QMEO,QN18,QX,QXB,QXE,QXE4 QXQ4,SDE,SE,SH,SHB1,SHB3,SHE,SHQ4,SJ,SJG,SKZ,SMEO,STP,STQ,SX,SBX SXE,SXEB,SXE4,SXQ4,VA,VAA,VAE,VD16,VE,VEB6,VH,VHE,VNG,VNG1,VNG2 VX,VXA,VXB,VXE,VXEB,VXE4,VXG,VXQ4,VXU,VXU1,VX16 |
| | 99101-ZH8-0980 | JET, MAIN, #98 (CARBURETOR NO.) | 1 | (1) | - | ----- | LHW,LSX,LT,LT/A,L1/A,PXE8,PXE8/A,P1/A,QKA4,QKA4/A,QME8,QME8/A QP/A,QT/A,Q1/A,STJ/A,SWX/A,S1/A |
| | /// | /// | 1 | (1) | - | ----- | BE34B C BJ,HA,HH,HX,LHB1,LXZ,L1,P1,QA,QAE,QAP,QAPE,QNE,QP,QT,QXEB,Q1,SHEZ STJ,SWX,SXP,S1,VAH1,VAH2,VAW1,VDE,VVA,V1,YJ |
| | /// | /// | 1 | - | - | ----- | BE34B C LXE8,LXU,PKX4,QHP1,QMH,QXE8,QXU,SKE,STR,SXE8,SXU |
| | /// | /// | 1 | - | - | ----- | BE34B C BE34B C ED7,ED8,ED9,EN,ES,ES1,ET,ETS,ETX,LH,LHB3,LHE,LHQ4,LJ,LJG,LKE,LX LXE,LXE4,LXQ4,PX,QE,QH,QHB3,QHE,QHQ4,QMEO,QN18,QX,QXB,QXE,QXE4 QXQ4,SDE,SE,SH,SHB1,SHB3,SHE,SHQ4,SJ,SJG,SKZ,SMEO,STP,STQ,SX,SBX SXE,SXEB,SXE4,SXQ4,VA,VAA,VAE,VD16,VE,VEB6,VH,VHE,VNG,VNG1,VNG2 VX,VXA,VXB,VXE,VXEB,VXE4,VXG,VXQ4,VXU,VXU1,VX16 |



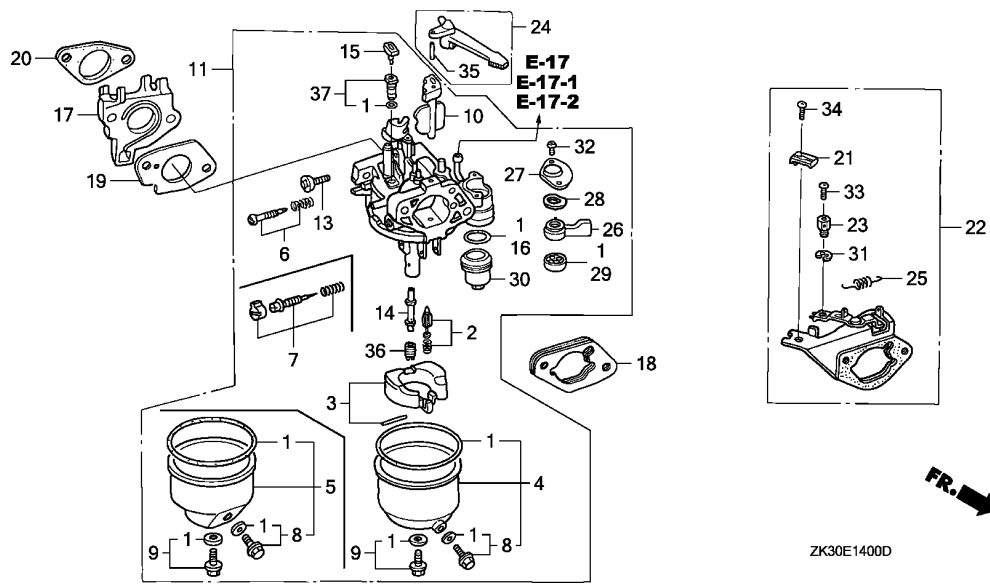


2

| Ref. No. | Part No. | Description | Reqd. QTY | | | Serial No. | Parts catalogue code |
|----------|----------------|------------------------------------|-----------|-------|-----|------------|--|
| | | | GX | 340K1 | (3) | | |
| 36) | 99101-ZH7-0920 | JET, MAIN, #92 (CARBURETOR NO.) | (1) | - | - | ----- | BE80A A HAQ,QAQ,QNE9 |
| | 99101-ZH7-0950 | JET, MAIN, #95 (CARBURETOR NO.) | (1) | - | - | ----- | BE80A A HAQ,QAQ,QNE9 |
| | 99101-ZH7-0980 | JET, MAIN, #98 (CARBURETOR NO.) | 1 | - | - | ----- | BE80A A HAQ,QAQ,QNE9 |
| | 99101-ZH8-0920 | JET, MAIN, #92 (CARBURETOR NO.) | (1) | - | - | ----- | QNE9/A |
| | 99101-ZH8-0950 | JET, MAIN, #95 (CARBURETOR NO.) | (1) | - | - | BE80A B | ----- HAQ,QAQ,QNE9 |
| | | | 1 | - | - | ----- | EDK,VXK |
| | | | (1) | - | - | ----- | QNE9/A |
| | 99101-ZH8-0980 | JET, MAIN, #98 (CARBURETOR NO.) | (1) | - | - | BE80A B | ----- HAQ,QAQ,QNE9 |
| | | | 1 | - | - | ----- | QNE9/A |
| | 99101-ZH8-0900 | JET, MAIN, #90 (CARBURETOR NO.) | (1) | - | - | BE80A B | ----- HAQ,QAQ,QNE9 |
| | | | (1) | - | - | ----- | ED9/A |
| | 99101-ZH8-0920 | JET, MAIN, #92 (CARBURETOR NO.) | (1) | - | - | ----- | ED9/A |
| | | | (1) | - | - | BE34C B | ----- ED9,EN,ES,ET,ETS,ETX,VA,VAA,VA AE,VE,VHE,VNG,VNG1,VNG2,VXA,VXG |
| | | | (1) | - | - | BE34C B | BE34C B EDN5,ED7,ED8,ES1,VD16,VEB6,VH,VMX,VX,VXB,VXE,VXEB,VXE4,VXE8,VXQ4 |
| | | | | - | - | ----- | VXU,VXU1,VX16,VX8 |
| | 99101-ZH8-0950 | JET, MAIN, #95 (CARBURETOR NO.) | 1 | - | - | ----- | EDK,ED9/A,VSH7,VXK |
| | | | 1 | - | - | BE34C B | ----- ED9,EN,ES,ET,ETS,ETX,VA,VAA,VA AE,VE,VHE,VNG,VNG1,VNG2,VXA,VXG |
| | | | 1 | - | - | BE34C B | BE34C B EDN5,ED7,ED8,ES1,VD16,VEB6,VH,VMX,VX,VXB,VXE,VXEB,VXE4,VXE8,VXQ4 |
| | | | | - | - | ----- | VXU,VXU1,VX16,VX8 |

| Ref. No. | Part No. | Description | Reqd. QTY | | | Serial No. | Parts catalogue code | |
|----------|----------------|------------------------------------|-----------|-----|-----|---|---|--|
| | | | (1) | (2) | (3) | | | |
| 36) | 99101-ZH8-0900 | JET, MAIN, #90 (CARBURETOR NO.) | (1) | - | - | EDN5/A, ED8/A, ES1/A, VAD2/A, VA2/A, VDE2/A, VH12/A, VH22/A, VSH7, VWE2/A, VW12/A, VX/A, VXB/A, VXB7/A, VXE/A, VXEB/A, VXE2/A, VXE7, VXE7/A, VXE8/A, VXQ4/A, VXU/A, VXU1/A, VX8/A | | |
| | | | (1) | - | - | BE80D B | EDN5, ED7, ED8, ES1, VAD2, VA2, VDE2, VH, VH12, VH22, VMX, VWA2, VWE2, VW12, VVX, VXB, VXB2, VXE, VXEB, VXE2, VXE4, VXE6, VXE8, VXQ4, VXU, VXU1, VX8 | |
| | 99101-ZH8-0920 | JET, MAIN, #92 (CARBURETOR NO.) | (1) | - | - | BE80D B | EDN5/A, ED8/A, ES1/A, VAD2/A, VA2/A, VDE2/A, VH12/A, VH22/A, VSH7, VWE2/A, VW12/A, VX/A, VXB/A, VXB7/A, VXE/A, VXEB/A, VXE2/A, VXE7, VXE7/A, VXE8/A, VXQ4/A, VXU/A, VXU1/A, VX8/A | |
| | | | (1) | - | - | BE80D B | EDN5, ED7, ED8, ES1, VAD2, VA2, VDE2, VH, VH12, VH22, VMX, VWA2, VWE2, VW12, VVX, VXB, VXB2, VXE, VXEB, VXE2, VXE4, VXE6, VXE8, VXQ4, VXU, VXU1, VX8 | |
| | 99101-ZH8-0950 | JET, MAIN, #95 (CARBURETOR NO.) | 1 | - | - | BE80D B | EDN5/A, ED8/A, ES1/A, VAD2/A, VA2/A, VDE2/A, VH12/A, VH22/A, VSH7, VWE2/A, VW12/A, VX/A, VXB/A, VXB7/A, VXE/A, VXEB/A, VXE2/A, VXE7, VXE7/A, VXE8/A, VXQ4/A, VXU/A, VXU1/A, VX8/A | |
| | | | 1 | - | - | BE80D B | EDN5, ED7, ED8, ES1, VAD2, VA2, VDE2, VH, VH12, VH22, VMX, VWA2, VWE2, VW12, VVX, VXB, VXB2, VXE, VXEB, VXE2, VXE4, VXE6, VXE8, VXQ4, VXU, VXU1, VX8 | |
| | 99101-ZH7-0880 | JET, MAIN, #88 (CARBURETOR NO.) | (1) | - | - | BE80B A | EDN5, ED7, ED8, ES1, VAD2, VA2, VDE2, VH, VH12, VH22, VMX, VWA2, VWE2, VW12, VVX, VXB, VXB2, VXE, VXEB, VXE2, VXE4, VXE6, VXE8, VXQ4, VXU, VXU1, VX8 | |
| | | | (1) | - | - | BE80B A | QXB, SXB, SXEB, VWC2, VWS2 | |
| | 99101-ZH7-0900 | JET, MAIN, #90 (CARBURETOR NO.) | (1) | - | - | BE80B A | HA2, HX2, HX26, LXE2, LXE6, LX2, LX26, PKT2, QAE2, QAE6, QAP2, QA2, QA26, QH2, QMT2, QNE2, QNE6, QNR2, QNR6, QPE2, QTC2, QXE2, QXE6, QX2, SME2, SMX2, SXE2, VAD2, VA2, VDE2, VH12, VH22, VWA2, VWC2, VWE2, VWS2, VW12, VXB2, VXE2, VXE6 | |
| | 99101-ZH7-0920 | JET, MAIN, #92 (CARBURETOR NO.) | 1 | - | - | BE80B A | HA2, HX2, HX26, LXE2, LXE6, LX2, LX26, PKT2, QAE2, QAE6, QAP2, QA2, QA26, QH2, QMT2, QNE2, QNE6, QNR2, QNR6, QPE2, QTC2, QXE2, QXE6, QX2, SME2, SMX2, SXE2, VAD2, VA2, VDE2, VH12, VH22, VWA2, VWC2, VWE2, VWS2, VW12, VXB2, VXE2, VXE6 | |
| | 99101-ZH8-0880 | JET, MAIN, #88 (CARBURETOR NO.) | (1) | - | - | BE80B B | HA2, HX2, HX26, LH, LHB3, LHE, LHQ4, LJ, LJG, LKE, LX, LXE, LXE2, LXE4, LXE6, LXE8, LXQ4, LXU, LX2, LX26, PKT2, PKX4, PX, QAE2, QAE6, QAP2, QA2, QA26, QE, QH, QHB3, QHE, QHP1, QHQ4, QH2, QMEO, QMH, QMT2, QNE2, QNE6, QNR2, QNR6, QN18, QPE2, QTC2, QX, QXB, QXE, QXE2, QXE4, QXE6, QXE8, QXQ4, QXU, QX2, SDE, SE, SH, SHB1, SHB3, SHE, SHQ4, SJ, SJG, SKE, SKZ, SMEO, SME2, SMX2, STP, STQ, STR, SX, SXB, SXE, SXEB, SXE2, SXE4, SXE8, SXQ4, SXU, VD16, VEB6, VWC2, VWS2, VX16 | |
| | | | (1) | - | - | BE80B B | VAD2, VA2, VDE2, VH12, VH22, VWA2, VWE2, VW12, VXB2, VXE2, VXE6 | |

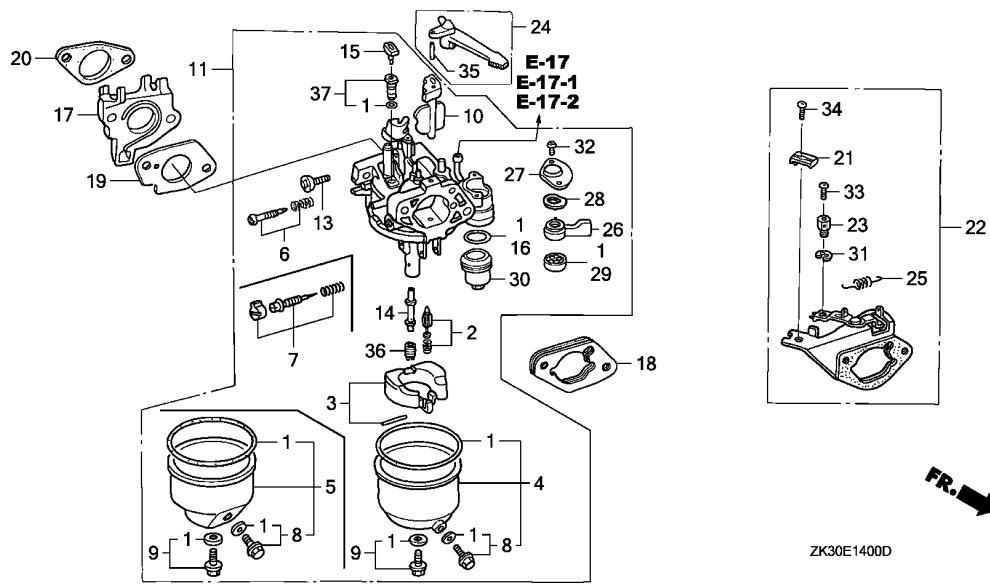




| Ref. No. | Part No. | Description | Reqd. QTY | | | Serial No. | Parts catalogue code |
|----------|----------------|------------------|-----------|-------|-----|-----------------|--|
| | | | GX | 340K1 | (3) | | |
| 36) | 99101-ZH8-0900 | JET, MAIN, #90 | (1) | - | - | ----- | EDK,ES2,HA2/A,HX26/A,LH/A,LHB3/A,LHB5,LHE/A,LHQ4/A,LJ/A,LJG/A,LJS LJS/A,LJS1,LKE/A,LWD,LX/A,LXE/A,LXE2/A,LXE4/A,LXE8/A,LXQ4/A,LXU/A LX2/A,LX26/A,PKT2/A,PKT4,PKT4/A,PKX2,PKX4/A,PX/A,PXA2,QAB2,QAB2/A QAC2,QAC2/A,QAE2/A,QAE6/A,QAG,QAG/A,QA2,QA2/A,QAP2/A,QA2/A QA26/A,QE/A,QH/A,QHB3/A,QHB5,QHE/A,QHP1/A,QHQ4/A,QL2,QMEO/A,QMH/A QMT2/A,QMX2,QNE2/A,QNR2/A,QNR6/A,QTC2/A,QX/A,QXB/A,QXB7,QXB7/A QXE/A,QXE4/A,QXE6/A,QXE8/A,QXQ4/A,QXU/A,SE/A,SH/A,SHB3/A,SHQ4/A SJ/A,SJG/A,SKE/A,SKZ/A,SME0/A,SMX2/A,STP/A,STQ/A,STR/A,SX/A,SXB/A SXB7,SXB7/A,SXE/A,SXEB/A,SXE4/A,SXE8/A,SXQ4/A,SXU/A,VWC2/A,VVS2/A VXK,VX16/A |
| | | (CARBURETOR NO.) | (1) | - | - | BE80B B ----- | HA2,HX2,HX26,LH,LHB3,LHE,LHQ4,LJ,LJG,LKE,LX,LXE,LXE2,LXE4,LXE6 LXE8,LXQ4,LXU,LX2,LX26,PKT2,PKX4,PX,QAE2,QAE6,QAP2,QA2,QA26,QE,QH QHB3,QHE,QHP1,QHQ4,QH2,QMEO,QMH,QMT2,QNE2,QNE6,QNR2,QNR6,QN18 QPE2,QTC2,QX,QXB,QXE,QXE2,QXE4,QXE6,QXE8,QXQ4,QXU,QX2,SDE,SE,SH SHB1,SHB3,SHE,SHQ4,SJ,SJG,SKE,SKZ,SME0,SME2,SMX2,STP,STQ,STR,SX SXB,SXE,SXEB,SXE2,SXE4,SXE8,SXQ4,SXU,VD16,VEB6,VWC2,VVS2,VX16 |
| | | .. | (1) | - | - | BE80B B BE80B B | VAD2,VA2,VDE2,VH12,VH22,VWA2,VWE2,VW12,VXB2,VXE2,VXE6 |

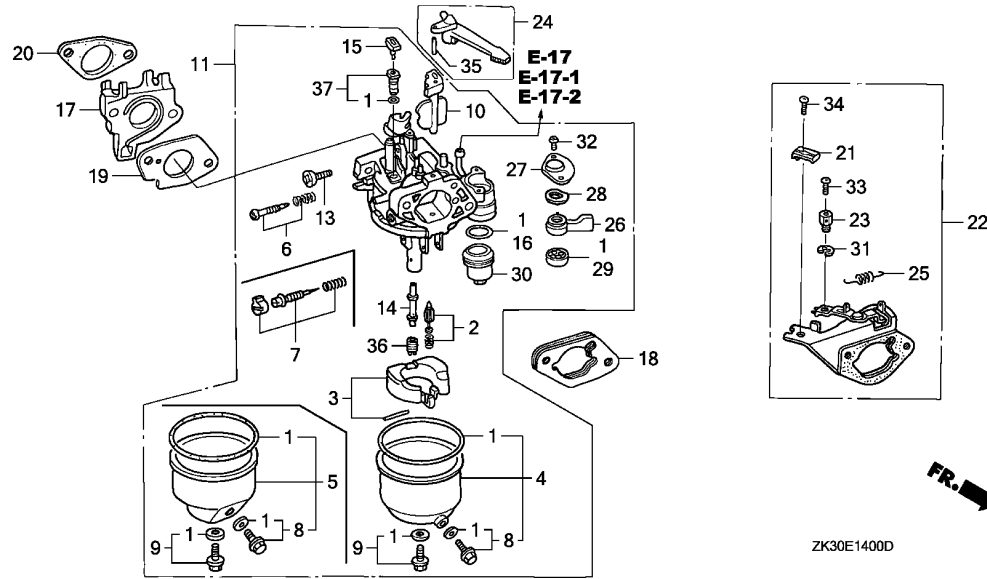
| Ref. No. | Part No. | Description | Reqd. QTY | | | Serial No. | Parts catalogue code | |
|----------|----------------|---------------------|-----------|-----|-----|------------|--|---|
| | | | (1) | (2) | (3) | | | |
| 36) | 99101-ZH8-0920 | JET, MAIN, #92 | 1 | - | - | ----- | HA2/A, HX26/A, LH/A, LHB3/A, LHB5, LHE/A, LHQ4/A, LJ/A, LJG/A, LJS, LJS/A, LJS1, LKE/A, LWD, LX/A, LXE/A, LXE2/A, LXE4/A, LXE8/A, LXQ4/A, LXU/A, LX2/A, LX26/A, PKT2/A, PKT4, PKT4/A, PKX2, PKX4/A, PX/A, PXA2, QAB2, QAB2/A, QAC2, QAC2/A, QAE2/A, QAE6/A, QAG, QAG/A, QAH2, QAH2/A, QAP2/A, QA2/A, QA26/A, QE/A, QH/A, QHB3/A, QHB5, QHE/A, QHP1/A, QHQ4/A, QL2, QMEO/A, QMH/A, QMT2/A, QMX2, QNE2/A, QNR2/A, QNR6/A, QTC2/A, QX/A, QXB/A, QXB7, QXB7/A, QXE/A, QXE4/A, QXE6/A, QXE8/A, QXQ4/A, QXU/A, SE/A, SH/A, SHB3/A, SHQ4/A, SJ/A, SJG/A, SKE/A, SKZ/A, SMEO/A, SMX2/A, STP/A, STQ/A, STR/A, SX/A, SXB/A, SXB7, SXB7/A, SXE/A, SXEB/A, SXE4/A, SXE8/A, SXQ4/A, SXU/A, VWC2/A, VWS2/A, VX16/A | |
| | | (CARBURETOR NO.) | 1 | - | - | BE80B B | ----- | HA2, HX2, HX26, LH, LHB3, LHE, LHQ4, LJ, LJG, LKE, LX, LXE, LXE2, LXE4, LXE6, LXE8, LXQ4, LXU, LX2, LX26, PKT2, PKX4, PX, QAE2, QAE6, QAP2, QA2, QA26, QE, QH, QHB3, QHE, QHP1, QHQ4, QH2, QMEO, QMH, QMT2, QNE2, QNE6, QNR2, QNR6, QN18, QPE2, QTC2, QX, QXB, QXE, QXE2, QXE4, QXE6, QXE8, QXQ4, QXU, QX2, SDE, SE, SH, SHB1, SHB3, SHE, SHQ4, SJ, SJG, SKE, SKZ, SMEO, SME2, SMX2, STP, STQ, STR, SX, SXB, SXE, SXEB, SXE2, SXE4, SXE8, SXQ4, SXU, VD16, VEB6, VWC2, VWS2, VX16 |
| | | “ | 1 | - | - | BE80B B | BE80B B | VAD2, VA2, VDE2, VH12, VH22, VWA2, VWE2, VW12, VXB2, VXE2, VXE6 |
| | 99101-ZH7-0950 | JET, MAIN, #95 | (1) | - | - | ----- | ----- | EDK, ES2, VXX |
| | | (CARBURETOR NO.) | (1) | - | - | ----- | BE80C A | QDW9, QXC6, QXC9 |
| | 99101-ZH7-0980 | JET, MAIN, #98 | (1) | - | - | ----- | BE80C A | QDW9, QXC6, QXC9 |
| | | (CARBURETOR NO.) | (1) | - | - | ----- | BE80C A | QDW9, QXC6, QXC9 |
| | 99101-ZH7-1000 | JET, MAIN, #100 | 1 | - | - | ----- | BE80C A | QDW9, QXC6, QXC9 |
| | | (CARBURETOR NO.) | (1) | - | - | ----- | ----- | EDK, VXX |
| | 99101-ZH8-0950 | JET, MAIN, #95 | (1) | - | - | ----- | ----- | ENT2, QDW9/A, QWH2, QWH2/A, QXC/A, QXC6/A, QXC9/A |
| | | (CARBURETOR NO.) | (1) | - | - | BE80C B | ----- | QDW9, QXC, QXC6, QXC9 |
| | 99101-ZH8-0980 | JET, MAIN, #98 | (1) | - | - | ----- | ----- | ENT2, QDW9/A, QWH2, QWH2/A, QXC/A, QXC6/A, QXC9/A |
| | | (CARBURETOR NO.) | (1) | - | - | BE80C B | ----- | QDW9, QXC, QXC6, QXC9 |
| | 99101-ZH8-1000 | JET, MAIN, #100 | 1 | - | - | ----- | ----- | ENT2, QDW9/A, QWH2, QWH2/A, QXC/A, QXC6/A, QXC9/A |
| | | (CARBURETOR NO.) | 1 | - | - | BE80C B | ----- | QDW9, QXC, QXC6, QXC9 |
| | 99101-ZH7-0920 | JET, MAIN, #92 | 1 | - | - | ----- | BE21C A | LP |
| | | (CARBURETOR NO.) | 1 | - | - | BE21C B | ----- | LP |
| | 99101-ZH8-0920 | JET, MAIN, #92 | 1 | - | - | ----- | ----- | LHC, QHC, QXC4, QXC4/A, SHT |
| | | (CARBURETOR NO.) | 1 | - | - | ----- | BE47A B | QXC |
| 37 | 99204-ZA0-0400 | JET SET, PILOT, #40 | - | (1) | - | ----- | ----- | L1/A, P1/A, Q1/A, S1/A |
| | | (CARBURETOR NO.) | - | (1) | - | ----- | ----- | L1, P1, Q1, S1 |
| | 99204-ZA0-0450 | JET SET, PILOT, #45 | - | (1) | - | BE34B C | ----- | L1, P1, Q1, S1 |
| | | (CARBURETOR NO.) | - | (1) | - | ----- | ----- | L1, P1, Q1, S1 |





2

| Ref. No. | Part No. | Description | Reqd. QTY | | | Serial No. | Parts catalogue code |
|----------|----------------|---------------------------|-----------|-------|-----|---------------|---|
| | | | GX | 340K1 | | | |
| | | | (1) | (2) | (3) | | |
| 37) | 99204-ZE0-0350 | JET SET, PILOT, #35 | 1 | - | - | ----- | EDN5/A,ED8/A,ES1/A,ES2,HAQ,HA2,HA2/A,HX2,HX26,HX26/A,LH/A,LHB3/A,LHB5,LHE/A,LHQ4/A,LJ/A,LJG/A,LJS,LJS/A,LJS1,LKE/A,LWD,LX/A,LXE/A,LXE2,LXE2/A,LXE4/A,LXE6,LXE8/A,LXQ4/A,LXU/A,LX2,LX2/A,LX26,LX26/A,PKT2,PKT2/A,PKT4,PKT4/A,PKX2,PKX4/A,PX/A,PXA2,QAB2,QAB2/A,QAC2,QAC2/A,QAE2,QAE2/A,QAE6,QAE6/A,QAG,QAG/A,QA2,QA2/A,QAP2,QAP2/A,QAQ,QA2,QA2/A,QA26,QA26/A,QDW9,QDW9/A,QE/A,QH/A,QHB3/A,QHB5,QHE/A,QHP1/A,QHQ4/A,QH2,QL2,QMEO/A,QMH/A,QMT2,QMT2/A,QMX2,QNE2,QNE2/A,QNE6,QNE9,QNE9/A,QNR2,QNR2/A,QNR6,QNR6/A,QPE2,QTC2,QTC2/A,QWH2,QWH2/A,QX/A,QXB/A,QXB7,QXB7/A,QXC/A,QXC6,QXC6/A,QXC9,QXC9/A,QXE/A,QXE2,QXE4/A,QXE6,QXE6/A,QXE8/A,QXQ4/A,QXU/A,QX2,SE/A,SH/A,SHB3/A,SHQ4/A,SJ/A,SJG/A,SKE/A,SKZ/A,SMEO/A,SME2,SMX2,SMX2/A,STP/A,STQ/A,STR/A,SX/A,SXB/A,SXB7,SXB7/A,SXE/A,SXEB/A,SXE2,SXE4/A,SXE8/A,SXQ4/A,SXU/A,VAD2,VAD2/A,VA2,VA2/A,VDE2,VDE2/A,VH12,VH12/A,VH22,VH22/A,VSH7,VWA2,VWC2,VWC2/A,VWE2,VWE2/A,VWS2,VWS2/A,VW12,VW12/A,VX/A,VXB/A,VXB2,VXB7,VXB7/A,VXE/A,VXEB/A,VXE2,VXE2/A,VXE6,VXE7,VXE7/A,VXE8/A,VXK,VXQ4/A,VXU/A,VXU1/A,VX16/A,VX8/A |
| | | (CARBURETOR NO.) | 1 | - | - | BE80B B ----- | LH,LHB3,LHE,LHQ4,LJ,LJG,LKE,LX,LXE,LXE4,LXE8,LXQ4,LXU,PKX4,PX,QE,QH,QHB3,QHE,QHP1,QHQ4,QMEO,QMH,QN18,QX,QXE,QXE4,QXE8,QXQ4,QXU,SDE,SE,SH,SHB1,SHB3,SHE,SHQ4,SJ,SJG,SKE,SKZ,SMEO,STP,STQ,STR,SX,SXE,SXE4,SXE8,SXQ4,SXU,VD16,VEB6,VX16 |
| | | // | 1 | - | - | BE80C B ----- | QXC |
| | | // | 1 | - | - | BE80D B ----- | EDN5,ED7,ED8,ES1,QXB,SXB,SXEB,VH,VMX,VX,VXB,VXE,VXEB,VXE4,VXE8,VXQ4,VXU,VXU1,VX8 |

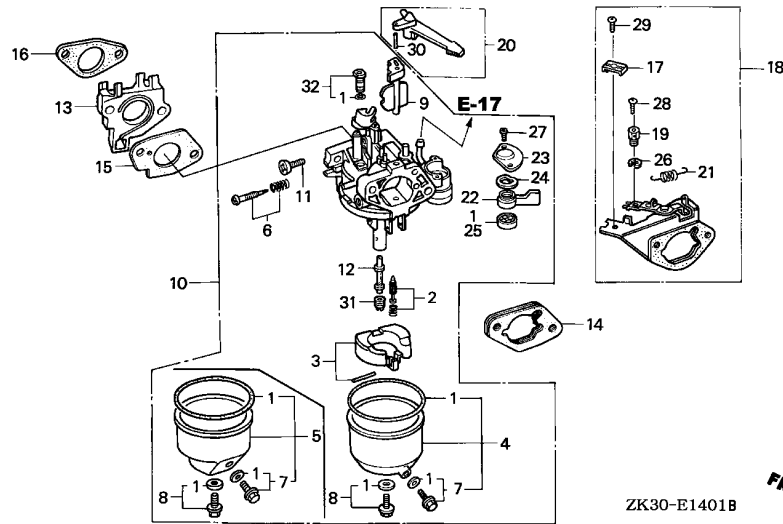


| Ref. No. | Part No. | Description | Reqd. QTY | | | Serial No. | Parts catalogue code |
|----------|----------------|---------------------|-----------|-------|-----|------------|---|
| | | | GX | 340K1 | | | |
| | | | (1) | (2) | (3) | | |
| 37) | 99204-ZE0-0450 | JET SET, PILOT, #45 | 1 | (1) | - | ----- | BJ,EDK,ED9,ED9/A,EN,ES,ET,ETS,ETX,HA,HH,HX,LHB1,LHW,LSX,LT,LT/A,LXZ,PXE8,PXE8/A,QA,QAE,QAP,QAPE,QKA4,QKA4/A,QME8,QME8/A,QNE,QP,QP/A,QT,QT/A,QXEB,SHEZ,STJ,STJ/A,SWX,SWX/A,SXP,VA,VAA,VAAE,VAH1,VAH2,VAW1,VDE,VE,VHE,VNG,VNG1,VNG2,VWA,VXA,VXG,V1,YJ |
| | | (CARBURETOR NO.) | 1 | - | - | ----- | BE34B C LH,LHB3,LHE,LHQ4,LJ,LJG,LKE,LX,LXE,LXE4,LXE8,LXQ4,LXU,PKX4,PX,QE,QH,QHB3,QHE,QHP1,QHQ4,QMEO,QMH,QN18,QX,QXB,QXE,QXE4,QXE8,QXQ4,QXU,SDE,SE,SH,SHB1,SHB3,SHE,SHQ4,SJ,SJG,SKE,SKZ,SMEO,STP,STQ,STR,SX,SXB,SXE,SXEB,SXE4,SXE8,SXQ4,SXU |
| | | // | 1 | - | - | ----- | BE34C B EDN5,ED7,ED8,ES1,VD16,VEB6,VH,VMX,VX,VXB,VXE,VXEB,VXE4,VXE8,VXQ4,VXU,VXU1,VX16,VX8 |
| | 99204-ZE2-0400 | JET SET, PILOT, #40 | - | (1) | - | ----- | BE34B B L1,P1,Q1,S1 |
| | | // | 1 | - | - | ----- | LP |

E-14-1

CARBURETOR(2)

M 4



ZK30-E1401B **FR.**

| Ref. No. | L.O.N. | (Relative ref. Number) Description | F.R.T. |
|----------|--------|---|--------|
| 1 | 3111B1 | GASKET SET, CARBURETOR (3) | 0.3 |
| 2 | 3111E1 | VALVE SET, FLOAT AND/OR FLOAT SET (5) | 0.3 |
| 4 | 3111A3 | CHAMBER SET, FLOAT AND/OR GASKET, FLOAT CHAMBER | 0.2 |
| 6 | 3111D7 | SCREW SET, PILOT | 0.2 |
| 10 | 3111F3 | CARBURETOR (16) | 0.2 |
| 13 | 3111C0 | INSULATOR, CARBURETOR AND/OR PACKING, INSULATOR | 0.2 |
| 14 | 3111D9 | SPACER, CARBURETOR | 0.2 |
| 15 | 3111C8 | PACKING, CARBURETOR | 0.2 |
| 18 | 3111G3 | STAY, CHOKE CONTROL | 0.2 |
| 20 | 8101F9 | LEVER, CARBURETOR CHOKE | 0.2 |
| 21 | 3111M8 | SPRING, CHOKE CONTROL STAY RETURN (22,23,24) | 0.1 |
| 25 | 3101C5 | PACKING, FUEL COCK | 0.2 |
| 31 | 3111C3 | JET, MAIN | 0.3 |

| Ref. No. | Part No. | Description | Reqd. QTY | | | Serial No. | Parts catalogue code |
|----------|---------------|-------------------------------------|-----------|-------|-----|------------|----------------------|
| | | | GX | 340K1 | | | |
| | | | (1) | (2) | (3) | | |
| 1 | 16010-ZE2-015 | GASKET SET (EXCEPT 16173-001-004) | - | (1) | - | | |
| 2 | 16011-ZA0-931 | VALVE SET, FLOAT | - | (1) | - | | |
| 3 | 16013-ZA0-931 | FLOAT SET | - | (1) | - | | |
| 4 | 16015-ZE2-005 | CHAMBER SET, FLOAT (CARBURETOR NO.) | - | (1) | - | BE34A A | L1,P1,Q1,S1,V1 |
| 5 | 16015-ZE8-005 | CHAMBER SET, FLOAT (CARBURETOR NO.) | - | (1) | - | BE34A B | L1/A,P1/A,Q1/A,S1/A |
| 6 | 16016-ZE0-005 | SCREW SET, PILOT | - | (1) | - | | |
| 7 | 16024-ZE1-811 | SCREW SET, DRAIN | - | (1) | - | | |
| 8 | 16028-ZE0-005 | SCREW SET | - | (1) | - | | |
| 9 | 16044-ZE3-W20 | CHOKE SET | - | (1) | - | | |
| 10 | 16100-ZE3-W20 | CARBURETOR ASSY. (BE34A A) | - | (1) | - | 2519532 | L1 |
| | | | - | (1) | - | 2521889 | P1,Q1,S1,V1 |
| | 16100-ZE3-W21 | CARBURETOR ASSY. (BE34A B) | - | (1) | - | | L1/A,P1/A,Q1/A,S1/A |
| | | | - | (1) | - | 2519533 | L1 |
| | | | - | (1) | - | 2521890 | P1,Q1,S1,V1 |
| 11 | 16124-ZE0-005 | SCREW, THROTTLE STOP | - | (1) | - | | |
| 12 | 16166-ZE3-W20 | NOZZLE, MAIN | - | (1) | - | | |
| 13 | 16211-ZF6-000 | INSULATOR, CARBURETOR | - | (1) | - | | |
| 14 | 16220-ZA0-702 | SPACER COMP., CARBURETOR | - | (1) | - | | |
| 15 | 16221-ZF6-000 | PACKING, CARBURETOR | - | (1) | - | 2178372 | L1,P1,Q1,S1,V1 |
| | 16221-ZF6-800 | | - | (1) | - | | L1/A,P1/A,Q1/A,S1/A |
| | | | - | (1) | - | 2178373 | L1,P1,Q1,S1,V1 |
| 16 | 16223-ZF6-000 | PACKING, INSULATOR | - | (1) | - | 2178372 | L1,P1,Q1,S1,V1 |

2

E-14-1

CARBURETOR(2)

M 5

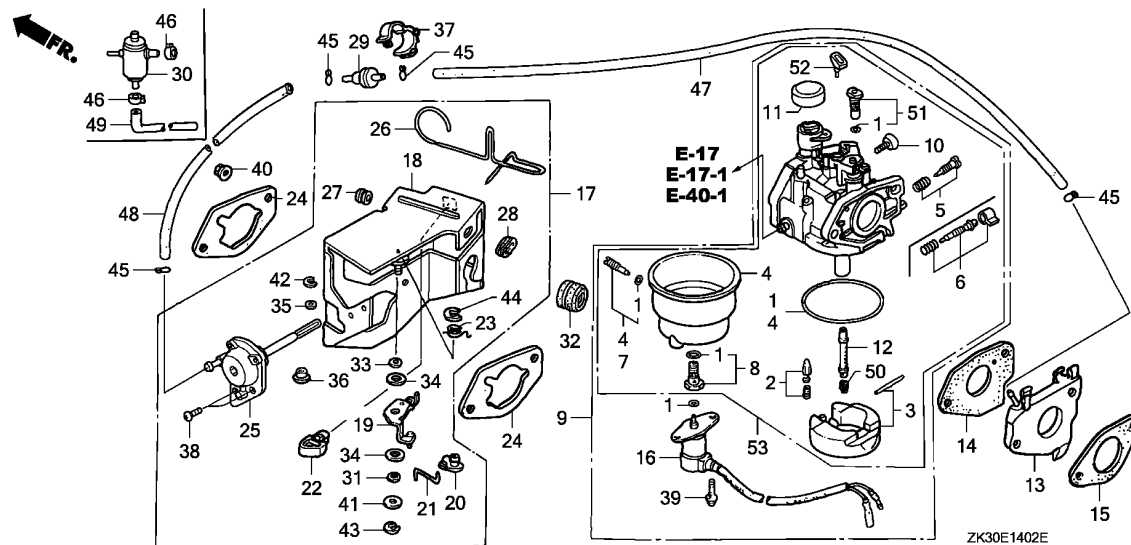
| Ref. No. | Part No. | Description | Reqd. QTY | | | Serial No. | Parts catalogue code |
|----------|----------------|---------------------------------------|-----------|-----|-----|---------------|----------------------|
| | | | (1) | (2) | (3) | | |
| 16) | 16223-ZE3-W00 | PACKING, INSULATOR | - | (1) | - | ----- | L1/A,P1/A,Q1/A,S1/A |
| 17 | 16576-891-000 | HOLDER, CABLE | - | (1) | - | 2178373 | ----- L1,P1,Q1,S1,V1 |
| 18 | 16590-ZE2-812 | STAY ASSY., CHOKE CONTROL (REMOTE) | - | (1) | - | | |
| 19 | 16594-883-010 | HOLDER, WIRE | - | (1) | - | | |
| 20 | 16610-ZE1-000 | LEVER COMP., CHOKE (STD.) ... | - | (1) | - | | |
| 21 | 16615-ZE2-810 | SPRING, RETURN | - | (1) | - | | |
| 22 | 16953-ZE1-811 | LEVER, COCK | - | (1) | - | | |
| | 16953-ZE1-812 | (CARBURETOR NO.) | - | (1) | - | ----- BE34A A | L1,P1,Q1,S1,V1 |
| | | (CARBURETOR NO.) | - | (1) | - | ----- | L1/A,P1/A,Q1/A,S1/A |
| 23 | 16954-ZE1-811 | PLATE, LEVER SETTING | - | (1) | - | ----- BE34A B | L1,P1,Q1,S1,V1 |
| | 16954-ZE1-812 | (CARBURETOR NO.) | - | (1) | - | ----- | L1/A,P1/A,Q1/A,S1/A |
| | | (CARBURETOR NO.) | - | (1) | - | ----- BE34A B | L1,P1,Q1,S1,V1 |
| 24 | 16956-ZE1-811 | SPRING, COCK LEVER | - | (1) | - | | |
| 25 | 16957-ZE1-812 | PACKING, FUEL COCK | - | (1) | - | | |
| 26 | 90605-230-000 | CIRCLIP, 5MM | - | (1) | - | | |
| 27 | 93500-03008-1G | SCREW, PAN, 3X8 | - | (2) | - | ----- BE34A A | L1,P1,Q1,S1,V1 |
| | 93500-03006-1H | (CARBURETOR NO.) | - | (2) | - | ----- | L1/A,P1/A,Q1/A,S1/A |
| | | (CARBURETOR NO.) | - | (2) | - | ----- BE34A B | L1,P1,Q1,S1,V1 |
| 28 | 93500-04006-0H | SCREW, PAN, 4X6 | - | (1) | - | | |
| 29 | 93893-05016-00 | SCREW-WASHER, 5X16 | - | (1) | - | | |
| 30 | 94305-20122 | PIN, SPRING, 2X12 | - | (1) | - | | |
| 31 | 99101-ZF5-0920 | JET, MAIN, #92 | - | (1) | - | ----- BE34A A | L1,P1,Q1,S1,V1 |
| | 99101-ZF5-0950 | (CARBURETOR NO.) | - | (1) | - | ----- | L1/A,P1/A,Q1/A,S1/A |
| | 99101-ZF5-0980 | JET, MAIN, #95 | - | (1) | - | ----- BE34A B | L1,P1,Q1,S1,V1 |
| | | (CARBURETOR NO.) | - | (1) | - | ----- | L1/A,P1/A,Q1/A,S1/A |
| | 99101-ZH8-0920 | JET, MAIN, #98 | - | (1) | - | ----- BE34A A | L1,P1,Q1,S1,V1 |
| | | (CARBURETOR NO.) | - | (1) | - | ----- | L1/A,P1/A,Q1/A,S1/A |
| | 99101-ZH8-0950 | JET, MAIN, #92 | - | (1) | - | ----- BE34A B | L1,P1,Q1,S1,V1 |
| | | (CARBURETOR NO.) | - | (1) | - | ----- | L1/A,P1/A,Q1/A,S1/A |
| | 99101-ZH8-0980 | JET, MAIN, #95 | - | (1) | - | ----- BE34A B | L1,P1,Q1,S1,V1 |
| | | (CARBURETOR NO.) | - | (1) | - | ----- | L1/A,P1/A,Q1/A,S1/A |
| 32 | 99204-ZE0-0450 | JET SET, PILOT, #45 | - | (1) | - | ----- BE34A A | L1,P1,Q1,S1,V1 |
| | 99204-ZA0-0450 | (CARBURETOR NO.) | - | (1) | - | ----- | L1/A,P1/A,Q1/A,S1/A |
| | | (CARBURETOR NO.) | - | (1) | - | ----- BE34A B | L1,P1,Q1,S1,V1 |

2

E-14-2

CARBURETOR(3)

M 6



| Ref. No. | L.O.N. | (Relative ref. Number) Description | F.R.T. |
|----------|--------|--|--------|
| 1 | 3111G1 | GASKET SET, CARBURETOR(A) (3) | 0.4 |
| 2 | 3111G6 | VALVE SET, FLOAT AND/OR FLOAT SET(A) | 0.4 |
| 4 | 3111M2 | CHAMBER SET, FLOAT AND/OR GASKET, FLOAT CHAMBER(A) (6) | 0.3 |
| 5 | 3111D7 | SCREW SET, PILOT | 0.2 |
| 9 | 3111G7 | CARBURETOR(A) (15) | 0.3 |
| 13 | 3111G2 | INSULATOR, CARBURETOR AND/OR PACKING, INSULATOR(A) | 0.3 |
| 14 | 3111G5 | PACKING, CARBURETOR(A) | 0.3 |
| 16 | 6211C0 | VALVE, CARBURETOR SOLENOID | 0.2 |
| 17 | 8101R1 | STAY, MANUAL CHOKE (20) | 0.3 |
| 21 | 8101J8 | ROD, CARBURETOR CHOKE | 0.2 |
| 24 | 3121H2 | PACKING, AIR CLEANER(A) | 0.3 |
| 25 | 3111A7 | DIAPHRAGM, CARBURETOR | 0.3 |
| 29 | 311175 | VALVE, DASHPOT CHECK | 0.1 |
| 50 | 3111G4 | JET, MAIN(A) | 0.4 |

| Ref. No. | Part No. | Description | Reqd. QTY | | | Serial No. | Parts catalogue code |
|----------|---------------|--------------------|-----------|-------|-----|------------|---|
| | | | GX | 340K1 | | | |
| | | | (1) | (2) | (3) | | |
| 1 | 16010-ZE3-701 | GASKET SET | 1 | - | - | ----- | EDE2,EDE2/A,EDN,EDN2,EDN2/A,EDS,EDS1,EDS1/A,EDS2,EDS2/A,EDS3,EDS4,EDS6,EDS6/A,EDT,EDT/A,EDT1,EDT1/A,EDT2,EDT3,EDT6,EDT6/A,ED6,ED6/A,EMT,EMT/A,ENT,ENT/A,ENT2,EN6,EN6/A,ES3,ES3/A,ES4,ES4/A,VMQ,VMT,VMT/A,VS2,VS3,VS4,VS5,VS6,VS7,VTE2,VWE |
| | | (CARBURETOR NO.) | 1 | - | - | ----- | BE82B B VC2 |
| | 16010-ZA0-921 | | 1 | - | - | ----- | VC2/A,VWC |
| | | (CARBURETOR NO.) | 1 | - | - | ----- | BE82E A ----- VC2 |
| 2 | 16011-ZA0-931 | VALVE SET, FLOAT | 1 | - | - | ----- | EDE2,EDE2/A,EDN,EDN2,EDN2/A,EDS,EDS1,EDS1/A,EDS2,EDS2/A,EDS3,EDS4,EDS6,EDS6/A,EDT,EDT/A,EDT1,EDT1/A,EDT2,EDT3,EDT6,EDT6/A,ED6,ED6/A,EMT,EMT/A,ENT,ENT/A,ENT2,EN6,EN6/A,ES3,ES3/A,ES4,ES4/A,VC2,VC2/A,VMQ,VMT,VMT/A,VS2,VS3,VS4,VS5,VS6,VS7,VTE2,VWC,VWE |
| 3 | 16013-ZA0-931 | FLOAT SET | 1 | - | - | ----- | EDE2,EDE2/A,EDN,EDN2,EDN2/A,EDS,EDS1,EDS1/A,EDS2,EDS2/A,EDS3,EDS4,EDS6,EDS6/A,EDT,EDT/A,EDT1,EDT1/A,EDT2,EDT3,EDT6,EDT6/A,ED6,ED6/A,EMT,EMT/A,ENT,ENT/A,ENT2,EN6,EN6/A,ES3,ES3/A,ES4,ES4/A,VC2,VC2/A,VMQ,VMT,VMT/A,VS2,VS3,VS4,VS5,VS6,VS7,VTE2,VWC,VWE |
| 4 | 16015-ZA0-931 | CHAMBER SET, FLOAT | 1 | - | - | ----- | EDE2,EDE2/A,EDN,EDN2,EDN2/A,EDS,EDS1,EDS1/A,EDS2,EDS2/A,EDS3,EDS4,EDS6,EDS6/A,EDT,EDT/A,EDT1,EDT1/A,EDT2,EDT3,EDT6,EDT6/A,ED6,ED6/A,EMT,EMT/A,ENT,ENT/A,ENT2,EN6,EN6/A,ES3,ES3/A,ES4,ES4/A,VC2,VC2/A,VMQ,VMT,VMT/A,VS2,VS3,VS4,VS5,VS6,VS7,VTE2,VWC,VWE |
| 5 | 16016-ZE0-005 | SCREW SET, PILOT | 1 | - | - | ----- | BE37B B ED6 |
| | | (CARBURETOR NO.) | 1 | - | - | ----- | BE37B C EDN,EDS,EDS1,EDS3,EDT1,ES3,ES4,VMT |
| | | // | | | | | |
| 6 | 16016-ZH7-W01 | SCREW SET, PILOT | 1 | - | - | ----- | EDE2,EDE2/A,EDN2,EDN2/A,EDS1/A,EDS2,EDS2/A,EDS4,EDS6,EDS6/A,EDT,EDT/A,EDT1/A,EDT2,EDT3,EDT6,EDT6/A,ED6/A,EMT,EMT/A,ENT,ENT/A,ENT2,EN6,EN6/A,ES3/A,ES4/A,VC2,VC2/A,VMQ,VMT/A,VS2,VS3,VS4,VS5,VS6,VS7,VTE2,VWC,VWE |
| | | (CARBURETOR NO.) | 1 | - | - | ----- | BE82B B ----- EDN,EDS,EDS1,EDS3,EDT1,ED6,ES3,ES4,VMT |

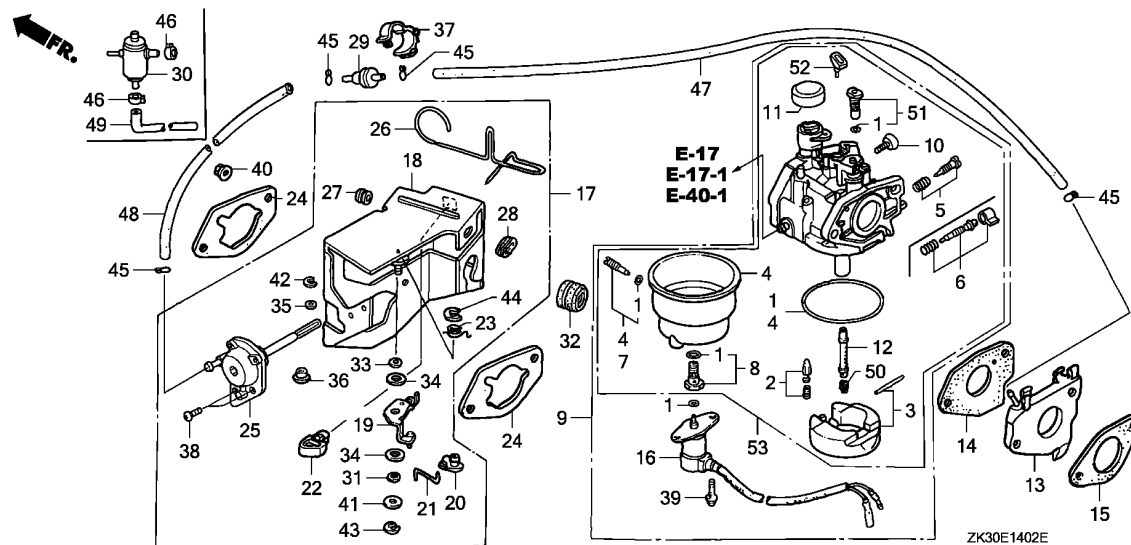
| Ref. No. | Part No. | Description | Reqd. QTY | | | Serial No. | Parts catalogue code |
|----------|---------------|-------------------------------|-----------|-----|-----|------------|---|
| | | | (1) | (2) | (3) | | |
| 7 | 16024-124-761 | SCREW SET, DRAIN | 1 | - | - | ----- | EDE2,EDE2/A,EDN,EDN2,EDN2/A,EDS,EDS1,EDS2,EDS2/A,EDS3,EDS6,EDS6/A,EDT,EDT/A,EDT1,EDT2,EDT6,EDT6/A,ED6,ED6/A,EMT,ENT,ENT/A,ENT2,EN6,EN6/A,ES3,ES4,VC2,VC2/A,VMT,VTE2,VWC,VWE |
| | | (CARBURETOR NO.) | 1 | - | - | ----- | BE82B B EDS1/A,EDT1/A,EMT/A,ES3/A,ES4/A,VMQ,VMT/A,VS3,VS5 |
| | 16024-124-760 | | 1 | - | - | ----- | EDS4,EDT3,VS2,VS4,VS6,VS7 |
| | | (CARBURETOR NO.) | 1 | - | - | ----- | BE82M A EDS1/A,EDT1/A,EMT/A,ES3/A,ES4/A,VMQ,VMT/A,VS3,VS5 |
| 8 | 16028-ZA0-931 | SCREW SET | 1 | - | - | ----- | EDE2,EDE2/A,EDN,EDN2,EDN2/A,EDS,EDS1,EDS1/A,EDS2,EDS2/A,EDS3,EDS4,EDS6,EDS6/A,EDT,EDT/A,EDT1,EDT1/A,EDT2,EDT3,EDT6,EDT6/A,ED6,ED6/A,EMT,EMT/A,ENT,ENT/A,ENT2,EN6,EN6/A,ES3,ES3/A,ES4,ES4/A,VMQ,VMT,VMT/A,VS2,VS3,VS4,VS5,VS6,VS7,VTE2,VWE |
| | | (CARBURETOR NO.) | 1 | - | - | ----- | BE82B B VC2 |
| | 16028-ZA0-701 | | 1 | - | - | ----- | VC2/A |
| | | (CARBURETOR NO.) | 1 | - | - | ----- | VWC |
| | | | 1 | - | - | ----- | BE82E A VC2 |
| 9 | 16100-ZE3-D00 | CARBURETOR ASSY. (BE37B A) .. | 1 | - | - | ----- | 2340658 EDN,EDS,EDS1,EDS3,EDT1,ED6,ES3,ES4 |
| | 16100-ZE3-D01 | CARBURETOR ASSY. (BE37B B) .. | 1 | - | - | ----- | 2374605 ED6 |
| | | | 1 | - | - | ----- | 2340659 2522217 EDN,EDS,EDS1,EDS3,EDT1,ES3,ES4 |
| | 16100-ZE3-D02 | CARBURETOR ASSY. (BE37B C) .. | 1 | - | - | ----- | 3129573 VMT |
| | | | 1 | - | - | ----- | 2522218 3032023 EDN,EDS,EDS1,EDS3,EDT1,ES3,ES4 |
| | 16100-ZE3-F10 | CARBURETOR ASSY. (BE82B A) .. | 1 | - | - | ----- | 2521477 EDE2,EDN2 |
| | | | 1 | - | - | ----- | 2374606 2521477 ED6 |
| | 16100-ZE3-F11 | CARBURETOR ASSY. (BE82B B) .. | 1 | - | - | ----- | EDS2,EDS6,EDT,EDT2,EDT6,EMT,ENT,EN6,VC2,VTE2 |
| | | | 1 | - | - | ----- | 2521478 EDE2,EDN2,ED6 |
| | | | 1 | - | - | ----- | 3032024 EDN,EDS,EDS1,EDS3,EDT1,ES3,ES4 |
| | | | 1 | - | - | ----- | 3129574 VMT |
| | | | 1 | - | - | ----- | 4004529 EDS1/A,EDT1/A,EMT/A,ES3/A,ES4/A,VMQ,VMT/A,VS3,VS5 |
| | | | 1 | - | - | ----- | 4004577 EDE2/A,EDN2/A,EDS2/A,EDS6/A,EDT/A,EDT6/A,ED6/A,ENT/A,ENT2,EN6/A,VWE |
| | 16100-ZE3-F12 | CARBURETOR ASSY. (BE82B C) .. | 1 | - | - | ----- | 4004578 EDE2/A,EDN2/A,EDS2/A,EDS6/A,EDT/A,EDT6/A,ED6/A,ENT/A,ENT2,EN6/A,VWE |
| | 16100-Z5L-F11 | CARBURETOR ASSY. (BE82M A/B) | 1 | - | - | ----- | 4075028 EDS4,VS4,VS6 |
| | | | 1 | - | - | ----- | 4004530 4075028 EDS1/A,EDT1/A,EMT/A,ES3/A,ES4/A,VMQ,VMT/A,VS3,VS5 |
| | 16100-Z5L-F12 | CARBURETOR ASSY. (BE82M B) .. | 1 | - | - | ----- | EDT3,VS2,VS7 |
| | | | 1 | - | - | ----- | 4075029 EDS1/A,EDS4,EDT1/A,EMT/A,ES3/A,ES4/A,VMQ,VMT/A,VS3,VS4,VS5,VS6 |
| 10 | 16124-ZE0-005 | SCREW, THROTTLE STOP | 1 | - | - | ----- | EDE2,EDE2/A,EDN,EDN2,EDN2/A,EDS,EDS1,EDS1/A,EDS2,EDS2/A,EDS3,EDS4,EDS6,EDS6/A,EDT,EDT/A,EDT1,EDT1/A,EDT2,EDT3,EDT6,EDT6/A,ED6,ED6/A,EMT,EMT/A,ENT,ENT/A,ENT2,EN6,EN6/A,ES3,ES3/A,ES4,ES4/A,VC2,VC2/A,VMQ,VMT,VMT/A,VS2,VS3,VS4,VS5,VS6,VS7,VTE2,VWC,VWE |
| 11 | 16148-141-881 | CAP, CHOKE DUST | 1 | - | - | ----- | EDE2,EDE2/A,EDN,EDN2,EDN2/A,EDS,EDS1,EDS1/A,EDS2,EDS2/A,EDS3,EDS4,EDS6,EDS6/A,EDT,EDT/A,EDT1,EDT1/A,EDT2,EDT3,EDT6,EDT6/A,ED6,ED6/A,EMT,EMT/A,ENT,ENT/A,ENT2,EN6,EN6/A,ES3,ES3/A,ES4,ES4/A,VC2,VC2/A,VMQ,VMT,VMT/A,VS2,VS3,VS4,VS5,VS6,VS7,VTE2,VWC,VWE |
| 12 | 16166-ZE3-701 | NOZZLE, MAIN | 1 | - | - | ----- | BE37B A EDN,EDS,EDS1,EDS3,EDT1,ED6,ES3,ES4 |
| | 16166-ZE3-F10 | | 1 | - | - | ----- | EDE2,EDE2/A,EDN2,EDN2/A,EDS1/A,EDS2,EDS2/A,EDS4,EDS6,EDS6/A,EDT,EDT/A,EDT1/A,EDT2,EDT3,EDT6,EDT6/A,ED6/A,EMT,EMT/A,ENT,ENT/A,ENT2,EN6,EN6/A,ES3/A,ES4/A,VC2,VC2/A,VMQ,VMT,VMT/A,VS2,VS3,VS4,VS5,VS6,VS7,VTE2,VWC,VWE |
| | | (CARBURETOR NO.) | 1 | - | - | ----- | BE37B B EDN,EDS,EDS1,EDS3,EDT1,ED6,ES3,ES4 |
| 13 | 16211-ZE3-700 | INSULATOR, CARBURETOR | 1 | - | - | ----- | EDE2,EDE2/A,EDN,EDN2,EDN2/A,EDS,EDS1,EDS1/A,EDS2,EDS2/A,EDS3,EDS4,EDS6,EDS6/A,EDT,EDT/A,EDT1,EDT1/A,EDT2,EDT3,EDT6,EDT6/A,ED6,ED6/A,EMT,EMT/A,ENT,ENT/A,ENT2,EN6,EN6/A,ES3,ES3/A,ES4,ES4/A,VC2,VC2/A,VMQ,VMT,VMT/A,VS2,VS3,VS4,VS5,VS6,VS7,VTE2,VWC,VWE |
| 14 | 16221-ZE3-800 | PACKING, CARBURETOR | 1 | - | - | ----- | EDE2,EDE2/A,EDN,EDN2,EDN2/A,EDS,EDS1,EDS1/A,EDS2,EDS2/A,EDS3,EDS4,EDS6,EDS6/A,EDT,EDT/A,EDT1,EDT1/A,EDT2,EDT3,EDT6,EDT6/A,ED6,ED6/A,EMT,EMT/A,ENT,ENT/A,ENT2,EN6,EN6/A,ES3,ES3/A,ES4,ES4/A,VC2,VC2/A,VMQ,VMT,VMT/A,VS2,VS3,VS4,VS5,VS6,VS7,VTE2,VWC,VWE |



E-14-2

CARBURETOR(3)

M 8



ZK30E1402E

| Ref. No. | Part No. | Description | Reqd. QTY | | | Serial No. | Parts catalogue code |
|----------|---------------|--------------------------------|-----------|-----|-----|------------|---|
| | | | GX | (1) | (2) | | |
| 15 | 16223-ZE3-800 | PACKING, INSULATOR | 1 | - | - | - | EDE2,EDE2/A,EDN,EDN2,EDN2/A,EDS,EDS1,EDS1/A,EDS2,EDS2/A,EDS3,EDS4,EDS6,EDS6/A,EDT,EDT/A,EDT1,EDT1/A,EDT2,EDT3,EDT6,EDT6/A,ED6,ED6/A,EMT,EMT/A,ENT,ENT/A,ENT2,EN6,EN6/A,ES3,ES3/A,ES4,ES4/A,VC2,VC2/A,VMQ,VMT,VMT/A,VS2,VS3,VS4,VS5,VS6,VS7,VTE2,VWC,VWE |
| 16 | 16230-ZE3-701 | VALVE ASSY., SOLENOID | 1 | - | - | - | EDE2,EDE2/A,EDN,EDN2,EDN2/A,EDS,EDS1,EDS2,EDS2/A,EDS3,EDS6,EDS6/A,EDT,EDT/A,EDT1,EDT2,EDT6,EDT6/A,ED6,ED6/A,EMT,ENT,ENT/A,ENT2,EN6,EN6/A,ES3,ES4,VMT,VTE2,VWE |
| | | (CARBURETOR NO.) | 1 | - | - | 4075028 | EDS1/A,EDS4,EDT1/A,EMT/A,ES3/A,ES4/A,VMQ,VMT/A,VS3,VS4,VS5,VS6 |
| | 16230-ZE3-702 | | 1 | - | - | BE82B B | VC2 |
| | | | 1 | - | - | - | EDT3,VS2,VS7 |
| 17 | 16260-ZE2-722 | STAY ASSY., MANUAL CHOKE | 1 | - | - | 4075029 | EDS1/A,EDS4,EDT1/A,EMT/A,ES3/A,ES4/A,VMQ,VMT/A,VS3,VS4,VS5,VS6 |
| | | | 1 | - | - | - | EDE2,EDE2/A,EDN,EDN2,EDN2/A,EDS,EDS1,EDS2,EDS2/A,EDS3,EDS6,EDS6/A,EDT,EDT/A,EDT1,EDT2,EDT6,EDT6/A,ED6,ED6/A,EMT,ENT,ENT/A,ENT2,EN6,EN6/A,ES3,ES4,VC2,VC2/A,VMT,VTE2 |
| | 16260-ZE3-D21 | | 1 | - | - | 4074558 | EDS1/A,EDS4,EDT1/A,EMT/A,ES3/A,ES4/A,VMQ,VMT/A,VS3,VS4,VS5,VS6 |
| | 16260-ZE2-723 | | 1 | - | - | - | VWC,VWE |
| | | | 1 | - | - | - | EDT3,VS2,VS7 |
| | | | 1 | - | - | 4074559 | EDS1/A,EDS4,EDT1/A,EMT/A,ES3/A,ES4/A,VMQ,VMT/A,VS3,VS4,VS5,VS6 |
| 18 | 16261-ZE2-702 | STAY COMP., SOLENOID | 1 | - | - | - | EDE2,EDE2/A,EDN,EDN2,EDN2/A,EDS,EDS1,EDS1/A,EDS2,EDS2/A,EDS3,EDS4,EDS6,EDS6/A,EDT,EDT/A,EDT1,EDT1/A,EDT2,EDT3,EDT6,EDT6/A,ED6,ED6/A,EMT,EMT/A,ENT,ENT/A,ENT2,EN6,EN6/A,ES3,ES3/A,ES4,ES4/A,VC2,VC2/A,VMQ,VMT,VMT/A,VS2,VS3,VS4,VS5,VS6,VS7,VTE2,VWC,VWE |
| 19 | 16262-ZE2-711 | LEVER, CHOKE | 1 | - | - | - | EDE2,EDE2/A,EDN,EDN2,EDN2/A,EDS,EDS1,EDS1/A,EDS2,EDS2/A,EDS3,EDS4,EDS6,EDS6/A,EDT,EDT/A,EDT1,EDT1/A,EDT2,EDT3,EDT6,EDT6/A,ED6,ED6/A,EMT,EMT/A,ENT,ENT/A,ENT2,EN6,EN6/A,ES3,ES3/A,ES4,ES4/A,VC2,VC2/A,VMQ,VMT,VMT/A,VS2,VS3,VS4,VS5,VS6,VS7,VTE2,VWC,VWE |

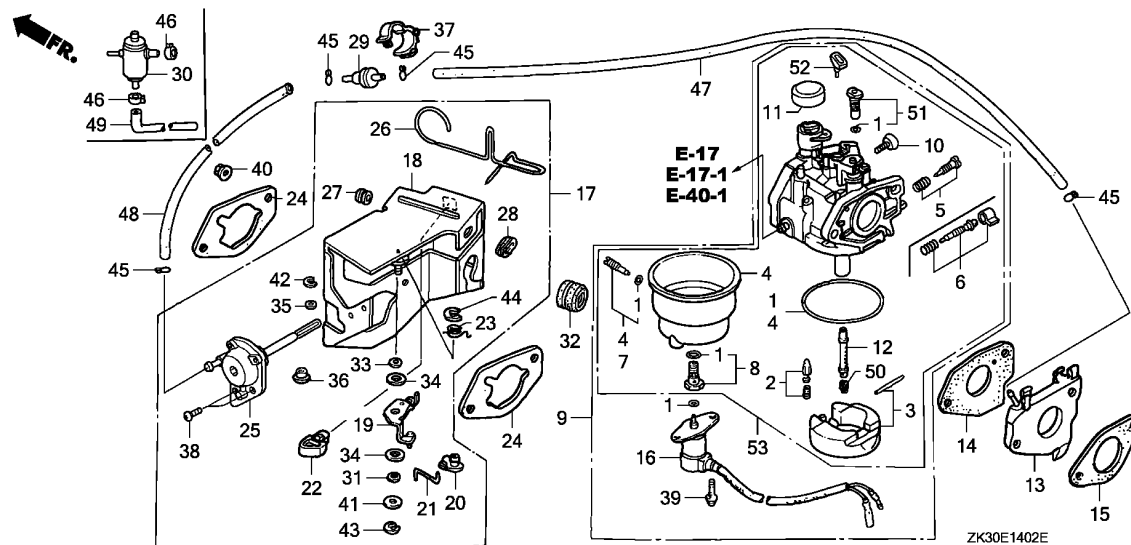
| Ref. No. | Part No. | Description | Reqd. QTY | | | Serial No. | Parts catalogue code |
|----------|---------------|-----------------------------|-----------|-----|---------|---|----------------------|
| | | | (1) | (2) | (3) | | |
| 20 | 16263-ZA0-000 | JOINT, ROD | 1 | - | - | EDE2,EDE2/A,EDN,EDN2,EDN2/A,EDS,EDS1,EDS1/A,EDS2,EDS2/A,EDS3,EDS4,EDS6,EDS6/A,EDT,EDT/A,EDT1,EDT1/A,EDT2,EDT3,EDT6,EDT6/A,ED6,ED6/A,EMT,EMT/A,ENT,ENT/A,ENT2,EN6,EN6/A,ES3,ES3/A,ES4,ES4/A,VC2,VC2/A,VMQ,VMT,VMT/A,VS2,VS3,VS4,VS5,VS6,VS7,VTE2,VWC,VWE | |
| 21 | 16264-ZE2-701 | ROD, CHOKE | 1 | - | - | EDE2,EDE2/A,EDN,EDN2,EDN2/A,EDS,EDS1,EDS1/A,EDS2,EDS2/A,EDS3,EDS4,EDS6,EDS6/A,EDT,EDT/A,EDT1,EDT1/A,EDT2,EDT3,EDT6,EDT6/A,ED6,ED6/A,EMT,EMT/A,ENT,ENT/A,ENT2,EN6,EN6/A,ES3,ES3/A,ES4,ES4/A,VC2,VC2/A,VMQ,VMT,VMT/A,VS2,VS3,VS4,VS5,VS6,VS7,VTE2,VWC,VWE | |
| 22 | 16265-ZE2-721 | STOPPER, CHOKE ROD | 1 | - | - | EDE2,EDE2/A,EDN,EDN2,EDN2/A,EDS,EDS1,EDS1/A,EDS2,EDS2/A,EDS3,EDS4,EDS6,EDS6/A,EDT,EDT/A,EDT1,EDT1/A,EDT2,EDT3,EDT6,EDT6/A,ED6,ED6/A,EMT,EMT/A,ENT,ENT/A,ENT2,EN6,EN6/A,ES3,ES3/A,ES4,ES4/A,VC2,VC2/A,VMQ,VMT,VMT/A,VS2,VS3,VS4,VS5,VS6,VS7,VTE2,VWC,VWE | |
| 23 | 16268-ZE2-721 | SPRING, MANUAL CHOKE | 1 | - | - | EDE2,EDE2/A,EDN,EDN2,EDN2/A,EDS,EDS1,EDS1/A,EDS2,EDS2/A,EDS3,EDS4,EDS6,EDS6/A,EDT,EDT/A,EDT1,EDT1/A,EDT2,EDT3,EDT6,EDT6/A,ED6,ED6/A,EMT,EMT/A,ENT,ENT/A,ENT2,EN6,EN6/A,ES3,ES3/A,ES4,ES4/A,VC2,VC2/A,VMQ,VMT,VMT/A,VS2,VS3,VS4,VS5,VS6,VS7,VTE2,VWC,VWE | |
| 24 | 16269-ZA0-800 | PACKING, AIR CLEANER | 2 | - | - | EDE2,EDE2/A,EDN,EDN2,EDN2/A,EDS,EDS1,EDS1/A,EDS2,EDS2/A,EDS3,EDS4,EDS6,EDS6/A,EDT,EDT/A,EDT1,EDT1/A,EDT2,EDT3,EDT6,EDT6/A,ED6,ED6/A,EMT,EMT/A,ENT,ENT/A,ENT2,EN6,EN6/A,ES3,ES3/A,ES4,ES4/A,VC2,VC2/A,VMQ,VMT,VMT/A,VS2,VS3,VS4,VS5,VS6,VS7,VTE2,VWC,VWE | |
| 25 | 16400-ZE2-703 | DIAPHRAGM ASSY. | 1 | - | - | EDE2,EDE2/A,EDN,EDN2,EDN2/A,EDS,EDS1,EDS2,EDS2/A,EDS3,EDS6,EDS6/A,EDT,EDT/A,EDT1,EDT2,EDT6,EDT6/A,ED6,ED6/A,EMT,ENT,ENT/A,ENT2,EN6,EN6/A,ES3,ES4,VC2,VC2/A,VMT,VTE2,VWC,VWE | |
| | 16400-ZE2-704 | | 1 | - | - | EDS1/A,EDS4,EDT1/A,EMT/A,ES3/A,ES4/A,VMQ,VMT/A,VS3,VS4,VS5,VS6 | |
| | | | 1 | - | - | EDT3,VS2,VS7 | |
| | | | 1 | - | 4074559 | EDS1/A,EDS4,EDT1/A,EMT/A,ES3/A,ES4/A,VMQ,VMT/A,VS3,VS4,VS5,VS6 | |
| 26 | 16611-ZE2-711 | ROD, CHOKE CONTROL | 1 | - | - | EDE2,EDE2/A,EDN,EDN2,EDN2/A,EDS,EDS1,EDS1/A,EDS2,EDS2/A,EDS3,EDS4,EDS6,EDS6/A,EDT,EDT/A,EDT1,EDT1/A,EDT2,EDT3,EDT6,EDT6/A,ED6,ED6/A,EMT,EMT/A,ENT,ENT/A,ENT2,EN6,EN6/A,ES3,ES3/A,ES4,ES4/A,VC2,VC2/A,VMQ,VMT,VMT/A,VS2,VS3,VS4,VS5,VS6,VS7,VTE2 | |
| | 16611-ZE3-D21 | | 1 | - | - | VWC,VWE | |
| 27 | 16613-893-000 | GROMMET, CHOKE ROD | 1 | - | - | EDE2,EDE2/A,EDN,EDN2,EDN2/A,EDS,EDS1,EDS1/A,EDS2,EDS2/A,EDS3,EDS4,EDS6,EDS6/A,EDT,EDT/A,EDT1,EDT1/A,EDT2,EDT3,EDT6,EDT6/A,ED6,ED6/A,EMT,EMT/A,ENT,ENT/A,ENT2,EN6,EN6/A,ES3,ES3/A,ES4,ES4/A,VC2,VC2/A,VMQ,VMT,VMT/A,VS2,VS3,VS4,VS5,VS6,VS7,VTE2,VWC,VWE | |
| 28 | 16615-893-000 | GUIDE, CHOKE ROD | 1 | - | - | EDE2,EDE2/A,EDN,EDN2,EDN2/A,EDS,EDS1,EDS1/A,EDS2,EDS2/A,EDS3,EDS4,EDS6,EDS6/A,EDT,EDT/A,EDT1,EDT1/A,EDT2,EDT3,EDT6,EDT6/A,ED6,ED6/A,EMT,EMT/A,ENT,ENT/A,ENT2,EN6,EN6/A,ES3,ES3/A,ES4,ES4/A,VC2,VC2/A,VMQ,VMT,VMT/A,VS2,VS3,VS4,VS5,VS6,VS7,VTE2,VWC,VWE | |
| 29 | 36135-ZV1-003 | VALVE, DASHPOT CHECK | 1 | - | - | 2362349 EDN,EDS,EDS1,EDS3,EDT1,ED6,ES3,ES4 | |
| | 36135-ZF6-D41 | | 1 | - | - | EDE2,EDE2/A,EDN2,EDN2/A,EDS1/A,EDS2,EDS2/A,EDS4,EDS6,EDS6/A,EDT,EDT/A,EDT1/A,EDT2,EDT3,EDT6,EDT6/A,ED6/A,EMT,EMT/A,ENT,ENT/A,ENT2,EN6,EN6/A,ES3/A,ES4/A,VC2,VC2/A,VMQ,VMT,VMT/A,VS2,VS3,VS4,VS5,VS6,VS7,VTE2,VWC,VWE | |
| | | | 1 | - | 2362350 | EDN,EDS,EDS1,EDS3,EDT1,ED6,ES3,ES4 | |
| 30 | 36170-ZB4-003 | VALVE ASSY., SOLENOID | 1 | - | - | EDS3 | |
| 31 | 53149-964-003 | BUSH, ARM PIVOT | 1 | - | - | EDE2,EDE2/A,EDN,EDN2,EDN2/A,EDS,EDS1,EDS1/A,EDS2,EDS2/A,EDS3,EDS4,EDS6,EDS6/A,EDT,EDT/A,EDT1,EDT1/A,EDT2,EDT3,EDT6,EDT6/A,ED6,ED6/A,EMT,EMT/A,ENT,ENT/A,ENT2,EN6,EN6/A,ES3,ES3/A,ES4,ES4/A,VC2,VC2/A,VMQ,VMT,VMT/A,VS2,VS3,VS4,VS5,VS6,VS7,VTE2,VWC,VWE | |
| 32 | 88911-MJ3-000 | GROMMET, FENDER | 1 | - | - | EDE2,EDE2/A,EDN,EDN2,EDN2/A,EDS,EDS1,EDS1/A,EDS2,EDS2/A,EDS3,EDS4,EDS6,EDS6/A,EDT,EDT/A,EDT1,EDT1/A,EDT2,EDT3,EDT6,EDT6/A,ED6,ED6/A,EMT,EMT/A,ENT,ENT/A,ENT2,EN6,EN6/A,ES3,ES3/A,ES4,ES4/A,VC2,VC2/A,VMQ,VMT,VMT/A,VS2,VS3,VS4,VS5,VS6,VS7,VTE2,VWC,VWE | |



E-14-2

CARBURETOR(3)

M10



ZK30E1402E

| Ref. No. | Part No. | Description | Reqd. QTY | | | Serial No. | Parts catalogue code |
|----------|----------------|-----------------------------|-----------|-------|-----|------------|---|
| | | | GX | 340K1 | | | |
| | | | (1) | (2) | (3) | | |
| 33 | 90431-ZE2-700 | WASHER, CHOKE LEVER | 1 | - | - | ----- | EDE2,EDE2/A,EDN,EDN2,EDN2/A,EDS,EDS1,EDS1/A,EDS2,EDS2/A,EDS3,EDS4,EDS6,EDS6/A,EDT,EDT/A,EDT1,EDT1/A,EDT2,EDT3,EDT6,EDT6/A,ED6,ED6/A,EMT,EMT/A,ENT,ENT/A,ENT2,EN6,EN6/A,ES3,ES3/A,ES4,ES4/A,VC2,VC2/A,VMQ,VMT,VMT/A,VS2,VS3,VS4,VS5,VS6,VS7,VTE2,VWC,VWE |
| 34 | 90432-ZE2-700 | SEAL, CHOKE LEVER | 2 | - | - | ----- | EDE2,EDE2/A,EDN,EDN2,EDN2/A,EDS,EDS1,EDS1/A,EDS2,EDS2/A,EDS3,EDS4,EDS6,EDS6/A,EDT,EDT/A,EDT1,EDT1/A,EDT2,EDT3,EDT6,EDT6/A,ED6,ED6/A,EMT,EMT/A,ENT,ENT/A,ENT2,EN6,EN6/A,ES3,ES3/A,ES4,ES4/A,VC2,VC2/A,VMQ,VMT,VMT/A,VS2,VS3,VS4,VS5,VS6,VS7,VTE2,VWC,VWE |
| 35 | 90433-ZE2-700 | WASHER, THRUST, 2.7X8 | 1 | - | - | ----- | EDE2,EDE2/A,EDN,EDN2,EDN2/A,EDS,EDS1,EDS1/A,EDS2,EDS2/A,EDS3,EDS4,EDS6,EDS6/A,EDT,EDT/A,EDT1,EDT1/A,EDT2,EDT3,EDT6,EDT6/A,ED6,ED6/A,EMT,EMT/A,ENT,ENT/A,ENT2,EN6,EN6/A,ES3,ES3/A,ES4,ES4/A,VC2,VC2/A,VMQ,VMT,VMT/A,VS2,VS3,VS4,VS5,VS6,VS7,VTE2,VWC,VWE |
| 36 | 90434-ZE2-700 | COLLAR, LEVER | 1 | - | - | ----- | EDE2,EDE2/A,EDN,EDN2,EDN2/A,EDS,EDS1,EDS1/A,EDS2,EDS2/A,EDS3,EDS4,EDS6,EDS6/A,EDT,EDT/A,EDT1,EDT1/A,EDT2,EDT3,EDT6,EDT6/A,ED6,ED6/A,EMT,EMT/A,ENT,ENT/A,ENT2,EN6,EN6/A,ES3,ES3/A,ES4,ES4/A,VC2,VC2/A,VMQ,VMT,VMT/A,VS2,VS3,VS4,VS5,VS6,VS7,VTE2,VWC,VWE |
| 37 | 90650-SD9-003 | CLIP, WIRE HARNESS | 1 | - | - | ----- | EDE2,EDE2/A,EDN,EDN2,EDN2/A,EDS,EDS1,EDS1/A,EDS2,EDS2/A,EDS4,EDS6,EDS6/A,EDT,EDT/A,EDT1,EDT1/A,EDT2,EDT3,EDT6,EDT6/A,ED6,ED6/A,EMT,EMT/A,ENT,ENT/A,ENT2,EN6,EN6/A,ES3,ES3/A,ES4,ES4/A,VC2,VC2/A,VMQ,VMT,VMT/A,VS2,VS3,VS4,VS5,VS6,VS7,VTE2,VWC,VWE |
| 38 | 93500-05012-0A | SCREW, PAN, 5X12 | 2 | - | - | ----- | EDE2,EDE2/A,EDN,EDN2,EDN2/A,EDS,EDS1,EDS1/A,EDS2,EDS2/A,EDS3,EDS4,EDS6,EDS6/A,EDT,EDT/A,EDT1,EDT1/A,EDT2,EDT3,EDT6,EDT6/A,ED6,ED6/A,EMT,EMT/A,ENT,ENT/A,ENT2,EN6,EN6/A,ES3,ES3/A,ES4,ES4/A,VC2,VC2/A,VMQ,VMT,VMT/A,VS2,VS3,VS4,VS5,VS6,VS7,VTE2,VWC,VWE |
| 39 | 93892-05012-08 | SCREW-WASHER, 5X12 | 2 | - | - | ----- | EDE2,EDE2/A,EDN2,EDN2/A,EDS2,EDS2/A,EDS6,EDS6/A,EDT,EDT/A,EDT2,EDT6,EDT6/A,ED6,ED6/A,EMT,ENT,ENT/A,ENT2,EN6,EN6/A,VTE2,VWE |
| | | (CARBURETOR NO.) | 2 | - | - | ----- | BE82B B VC2 |

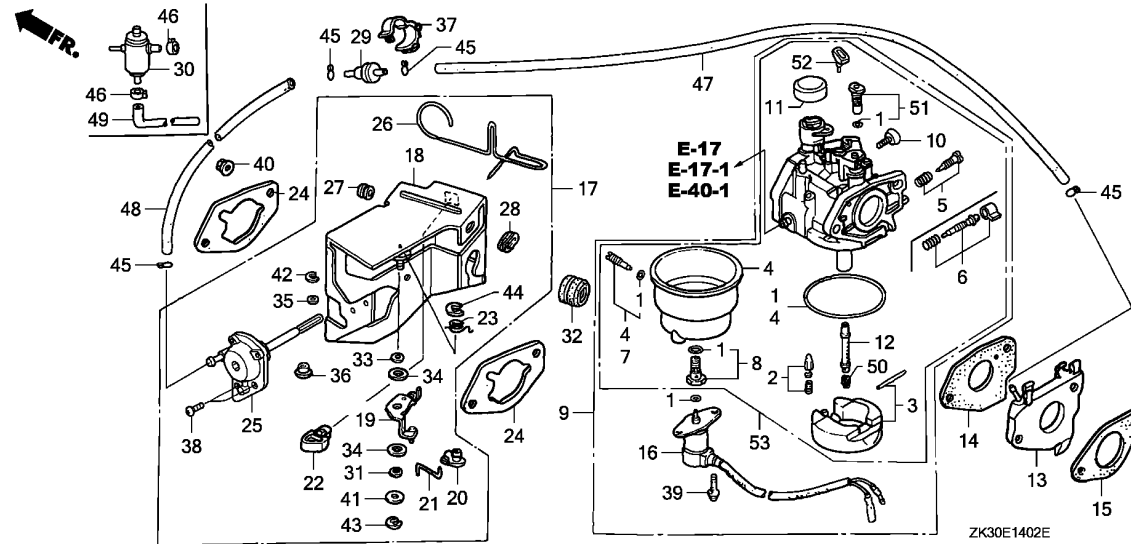
| Ref. No. | Part No. | Description | Reqd. QTY | | | Serial No. | Parts catalogue code |
|----------|------------------|--------------------------------|-----------|-----|-----|------------|---|
| | | | (1) | (2) | (3) | | |
| 39) | 93892-05012-18 | SCREW-WASHER, 5X12 | 2 | - | - | ----- | EDN,EDS,EDS1,EDS1/A,EDS3,EDS4,EDT1,EDT1/A,EDT3,EMT/A,ES3,ES3/A,ES4,ES4/A,VMQ,VMT,VMT/A,VS2,VS3,VS4,VS5,VS6,VS7 |
| 40 | 94050-06000 | NUT, FLANGE, 6MM | 2 | - | - | ----- | EDE2,EDE2/A,EDN,EDN2,EDN2/A,EDS,EDS1,EDS1/A,EDS2,EDS2/A,EDS3,EDS4,EDS6,EDS6/A,EDT,EDT/A,EDT1,EDT1/A,EDT2,EDT3,EDT6,EDT6/A,ED6,ED6/A,EMT,EMT/A,ENT,ENT/A,ENT2,EN6,EN6/A,ES3,ES3/A,ES4,ES4/A,VC2,VC2/A,VMQ,VMT,VMT/A,VS2,VS3,VS4,VS5,VS6,VS7,VTE2,VWC,VWE |
| 41 | 94103-05000 | WASHER, PLAIN, 5MM | 1 | - | - | ----- | EDE2,EDE2/A,EDN,EDN2,EDN2/A,EDS,EDS1,EDS1/A,EDS2,EDS2/A,EDS3,EDS4,EDS6,EDS6/A,EDT,EDT/A,EDT1,EDT1/A,EDT2,EDT3,EDT6,EDT6/A,ED6,ED6/A,EMT,EMT/A,ENT,ENT/A,ENT2,EN6,EN6/A,ES3,ES3/A,ES4,ES4/A,VC2,VC2/A,VMQ,VMT,VMT/A,VS2,VS3,VS4,VS5,VS6,VS7,VTE2,VWC,VWE |
| 42 | 94540-02010 | E-RING, 2MM | 1 | - | - | ----- | EDE2,EDE2/A,EDN,EDN2,EDN2/A,EDS,EDS1,EDS1/A,EDS2,EDS2/A,EDS3,EDS4,EDS6,EDS6/A,EDT,EDT/A,EDT1,EDT1/A,EDT2,EDT3,EDT6,EDT6/A,ED6,ED6/A,EMT,EMT/A,ENT,ENT/A,ENT2,EN6,EN6/A,ES3,ES3/A,ES4,ES4/A,VC2,VC2/A,VMQ,VMT,VMT/A,VS2,VS3,VS4,VS5,VS6,VS7,VTE2,VWC,VWE |
| 43 | 94540-04010 | E-RING, 4MM | 1 | - | - | ----- | EDE2,EDE2/A,EDN,EDN2,EDN2/A,EDS,EDS1,EDS1/A,EDS2,EDS2/A,EDS3,EDS4,EDS6,EDS6/A,EDT,EDT/A,EDT1,EDT1/A,EDT2,EDT3,EDT6,EDT6/A,ED6,ED6/A,EMT,EMT/A,ENT,ENT/A,ENT2,EN6,EN6/A,ES3,ES3/A,ES4,ES4/A,VC2,VC2/A,VMQ,VMT,VMT/A,VS2,VS3,VS4,VS5,VS6,VS7,VTE2,VWC,VWE |
| 44 | 94540-07010 | E-RING, 7MM | 1 | - | - | ----- | EDE2,EDE2/A,EDN,EDN2,EDN2/A,EDS,EDS1,EDS1/A,EDS2,EDS2/A,EDS3,EDS4,EDS6,EDS6/A,EDT,EDT/A,EDT1,EDT1/A,EDT2,EDT3,EDT6,EDT6/A,ED6,ED6/A,EMT,EMT/A,ENT,ENT/A,ENT2,EN6,EN6/A,ES3,ES3/A,ES4,ES4/A,VC2,VC2/A,VMQ,VMT,VMT/A,VS2,VS3,VS4,VS5,VS6,VS7,VTE2,VWC,VWE |
| 45 | 95002-02070 | CLIP, TUBE (B7) | 4 | - | - | ----- | EDE2,EDE2/A,EDN,EDN2,EDN2/A,EDS,EDS1,EDS1/A,EDS2,EDS2/A,EDS3,EDS4,EDS6,EDS6/A,EDT,EDT/A,EDT1,EDT1/A,EDT2,EDT3,EDT6,EDT6/A,ED6,ED6/A,EMT,EMT/A,ENT,ENT/A,ENT2,EN6,EN6/A,ES3,ES3/A,ES4,ES4/A,VC2,VC2/A,VMQ,VMT,VMT/A,VS2,VS3,VS4,VS5,VS6,VS7,VTE2,VWC,VWE |
| 46 | 95002-40800-08 | CLAMP, TUBE (D8) | 2 | - | - | ----- | EDS3 |
| 47 | 95005-35075-10 | TUBE, 3.5X75(95005-35001-10M) | 1 | - | - | ----- | EDE2,EDE2/A,EDN,EDN2,EDN2/A,EDS,EDS1,EDS1/A,EDS2,EDS2/A,EDS4,EDS6,EDS6/A,EDT,EDT/A,EDT1,EDT1/A,EDT2,EDT3,EDT6,EDT6/A,ED6,ED6/A,EMT,EMT/A,ENT,ENT/A,ENT2,EN6,EN6/A,ES3,ES3/A,ES4,ES4/A,VC2,VC2/A,VMQ,VMT,VMT/A,VS2,VS3,VS4,VS5,VS6,VS7,VTE2,VWC,VWE |
| | 95005-35495-11 | TUBE, 3.5X495(95005-35001-10M) | 1 | - | - | ----- | EDS3 |
| 48 | 95005-35130-10 | TUBE, 3.5X130(95005-35001-10M) | 1 | - | - | ----- | EDE2,EDE2/A,EDN,EDN2,EDN2/A,EDS,EDS1,EDS1/A,EDS2,EDS2/A,EDS4,EDS6,EDS6/A,EDT,EDT/A,EDT1,EDT1/A,EDT2,EDT3,EDT6,EDT6/A,ED6,ED6/A,EMT,EMT/A,ENT,ENT/A,ENT2,EN6,EN6/A,ES3,ES3/A,ES4,ES4/A,VC2,VC2/A,VMQ,VMT,VMT/A,VS2,VS3,VS4,VS5,VS6,VS7,VTE2,VWC,VWE |
| | 95005-35030-10 | TUBE, 3.5X30(95005-35001-10M) | 1 | - | - | ----- | EDS3 |
| 49 | 95005-35695-10 | TUBE, 3.5X695(95005-35001-10M) | 1 | - | - | ----- | EDS3 |
| 50 | 99101-ZF5-0920 | JET, MAIN, #92 | (1) | - | - | ----- | BE37B A EDN,EDS,EDS1,EDS3,EDT1,ED6,ES3,ES4 |
| | (CARBURETOR NO.) | | | | | | |
| | 99101-ZF5-0950 | JET, MAIN, #95 | (1) | - | - | ----- | BE37B A EDN,EDS,EDS1,EDS3,EDT1,ED6,ES3,ES4 |
| | (CARBURETOR NO.) | | | | | | |
| | 99101-ZF5-0980 | JET, MAIN, #98 | 1 | - | - | ----- | BE37B A EDN,EDS,EDS1,EDS3,EDT1,ED6,ES3,ES4 |
| | (CARBURETOR NO.) | | | | | | |
| | 99101-ZH7-0950 | JET, MAIN, #95 | (1) | - | - | ----- | VTE2 |
| | 99101-ZH7-0980 | JET, MAIN, #98 | (1) | - | - | ----- | VTE2 |
| | 99101-ZH7-1000 | JET, MAIN, #100 | 1 | - | - | ----- | VTE2 |
| | 99101-ZH8-0950 | JET, MAIN, #95 | (1) | - | - | ----- | EDE2,EDE2/A,EDN2,EDN2/A,EDS1/A,EDS2,EDS2/A,EDS4,EDS6,EDS6/A,EDT,EDT/A,EDT1/A,EDT2,EDT3,EDT6,EDT6/A,ED6/A,EMT,EMT/A,ENT,ENT/A,ENT2,EN6,EN6/A,ES3/A,ES4/A,VC2,VC2/A,VMQ,VMT,VMT/A,VS2,VS3,VS4,VS5,VS6,VS7,VWC,VWE |
| | (CARBURETOR NO.) | | (1) | - | - | ----- | EDN,EDS,EDS1,EDS3,EDT1,ED6,ES3,ES4 |



E-14-2

CARBURETOR(3)

M12

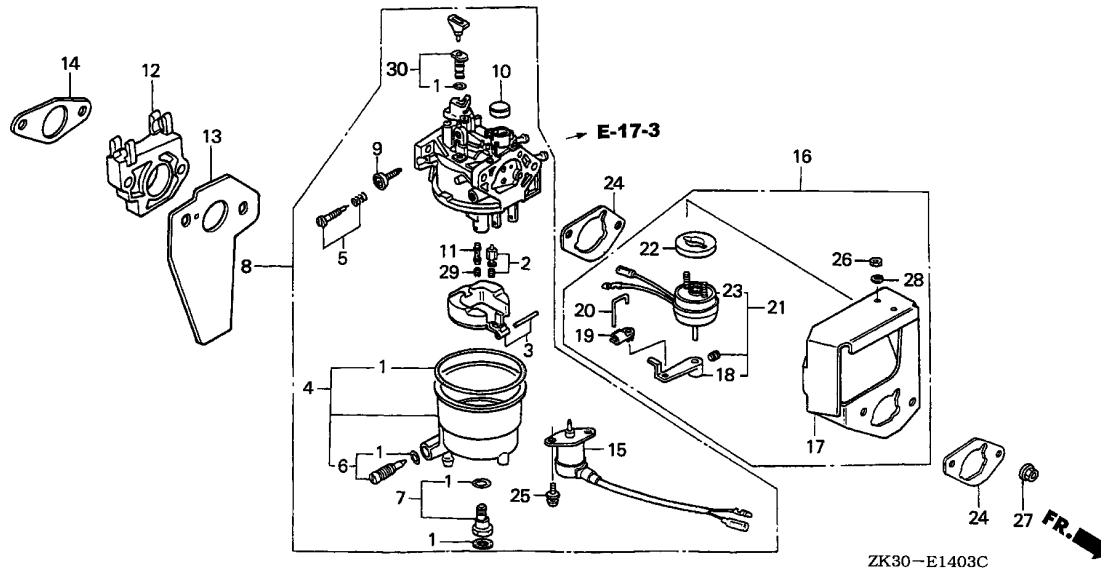


| Ref. No. | Part No. | Description | Reqd. QTY | | | Serial No. | Parts catalogue code |
|----------|----------------|-------------------------------|-----------|-------|-----|---------------|---|
| | | | GX | 340K1 | | | |
| | | | (1) | (2) | (3) | | |
| 50) | 99101-ZH8-0980 | JET, MAIN, #98 | (1) | - | - | ----- | EDE2,EDE2/A,EDN2,EDN2/A,EDS1/A,EDS2,EDS2/A,EDS4,EDS6,EDS6/A,EDT EDT/A,EDT1/A,EDT2,EDT3,EDT6,EDT6/A,ED6/A,EMT,EMT/A,ENT,ENT/A,ENT2 EN6,EN6/A,ES3/A,ES4/A,VC2,VC2/A,VMQ,VMT,VMT/A,VS2,VS3,VS4,VS5,VS6 VS7,VWC,VWE |
| | | (CARBURETOR NO.) | (1) | - | - | BE37B B ----- | EDN,EDS,EDS1,EDS3,EDT1,ED6,ES3,ES4 |
| | 99101-ZH8-1000 | JET, MAIN, #100 | 1 | - | - | ----- | EDE2,EDE2/A,EDN2,EDN2/A,EDS1/A,EDS2,EDS2/A,EDS4,EDS6,EDS6/A,EDT EDT/A,EDT1/A,EDT2,EDT3,EDT6,EDT6/A,ED6/A,EMT,EMT/A,ENT,ENT/A,ENT2 EN6,EN6/A,ES3/A,ES4/A,VC2,VC2/A,VMQ,VMT,VMT/A,VS2,VS3,VS4,VS5,VS6 VS7,VWC,VWE |
| | | (CARBURETOR NO.) | 1 | - | - | BE37B B ----- | EDN,EDS,EDS1,EDS3,EDT1,ED6,ES3,ES4 |
| 51 | 99204-ZE0-0450 | JET SET, PILOT, #45 | 1 | - | - | ----- | EDN,EDS,EDS1,EDS3,EDT1,ED6,ES3,ES4 |
| | | (CARBURETOR NO.) | 1 | - | - | BE37B A ----- | EDN,EDS,EDS1,EDS3,EDT1,ED6,ES3,ES4 |
| | 99204-ZE0-0350 | JET SET, PILOT, #35 | 1 | - | - | ----- | EDE2,EDE2/A,EDN2,EDN2/A,EDS1/A,EDS2,EDS2/A,EDS4,EDS6,EDS6/A,EDT EDT/A,EDT1/A,EDT2,EDT3,EDT6,EDT6/A,ED6/A,EMT,EMT/A,ENT,ENT/A,ENT2 EN6,EN6/A,ES3/A,ES4/A,VC2,VC2/A,VMQ,VMT,VMT/A,VS2,VS3,VS4,VS5,VS6 VS7,VTE2,VWC,VWE |
| | | (CARBURETOR NO.) | 1 | - | - | BE37B B ----- | EDN,EDS,EDS1,EDS3,EDT1,ED6,ES3,ES4 |
| 52 | 16172-ZE3-W10 | COLLAR, SETTING | 1 | - | - | ----- | EDE2,EDE2/A,EDN2,EDN2/A,EDS1/A,EDS2,EDS2/A,EDS4,EDS6,EDS6/A,EDT EDT/A,EDT1/A,EDT2,EDT3,EDT6,EDT6/A,ED6/A,EMT,EMT/A,ENT,ENT/A,ENT2 EN6,EN6/A,ES3/A,ES4/A,VC2,VC2/A,VMQ,VMT,VMT/A,VS2,VS3,VS4,VS5,VS6 VS7,VTE2,VWC,VWE |
| | | (CARBURETOR NO.) | 1 | - | - | BE37B B ----- | EDN,EDS,EDS1,EDS3,EDT1,ED6,ES3,ES4 |
| 53 | 16100-ZK3-S61 | CARBURETOR ASSY. (BE82E A) .. | 1 | - | - | ----- | EDN,EDS,EDS1,EDS3,EDT1,ED6,ES3,ES4 VC2/A,VWC |

E-14-3

CARBURETOR(4)

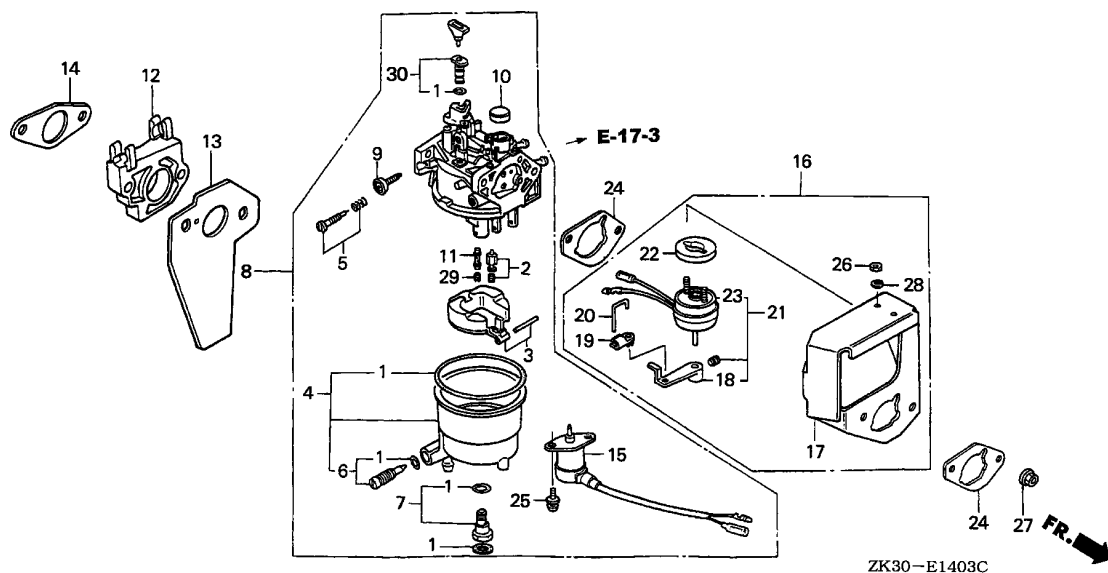
M13



| Ref. No. | L.O.N. | (Relative ref. Number) Description | F.R.T. |
|----------|--------|--|--------|
| 1 | 3111G1 | GASKET SET, CARBURETOR(A) (3) | 0.4 |
| 2 | 3111G6 | VALVE SET, FLOAT AND/OR FLOAT SET(A) | 0.4 |
| 4 | 3111M2 | CHAMBER SET, FLOAT AND/OR GASKET, FLOAT CHAMBER(A) | 0.3 |
| 5 | 3111D7 | SCREW SET, PILOT | 0.2 |
| 8 | 3111G7 | CARBURETOR(A) | 0.3 |
| 12 | 3111G2 | INSULATOR, CARBURETOR AND/OR PACKING, INSULATOR(A) | 0.3 |
| 13 | 3111G5 | PACKING, CARBURETOR(A) | 0.3 |
| 15 | 6211C0 | VALVE, CARBURETOR SOLENOID ... | 0.2 |
| 16 | 8101BH | STAY ASSEMBLY, ROTARY CHOKE SOLENOID | 0.2 |
| 17 | 8101R2 | STAY, ROTARY CHOKE SOLENOID .. | 0.3 |
| 20 | 8101J8 | ROD, CARBURETOR CHOKE | 0.2 |
| 23 | 8101R0 | SOLENOID, ROTARY CHOKE | 0.3 |
| 24 | 3121H2 | PACKING, AIR CLEANER(A) | 0.3 |
| 29 | 3111G4 | JET, MAIN(A) | 0.4 |

| Ref. No. | Part No. | Description | Reqd. QTY | | | Serial No. | Parts catalogue code |
|----------|----------------|---------------------------------|-----------|-------|-----|------------|----------------------|
| | | | GX | 340K1 | | | |
| | | | (1) | (2) | (3) | | |
| 1 | 16010-ZE3-701 | GASKET SET | 1 | - | - | EDS5 | |
| 2 | 16011-ZA0-931 | VALVE SET, FLOAT | 1 | - | - | EDS5 | |
| 3 | 16013-ZA0-931 | FLOAT SET | 1 | - | - | EDS5 | |
| 4 | 16015-ZA0-931 | CHAMBER SET, FLOAT | 1 | - | - | EDS5 | |
| 5 | 16016-ZE0-005 | SCREW SET, PILOT | 1 | - | - | EDS5 | |
| 6 | 16024-124-760 | SCREW SET, DRAIN | 1 | - | - | EDS5 | |
| 7 | 16028-ZE3-701 | SCREW SET | 1 | - | - | EDS5 | |
| 8 | 16100-ZB8-035 | CARBURETOR ASSY. (BE38A D/E) .. | 1 | - | - | EDS5 | |
| 9 | 16124-ZE0-005 | SCREW, THROTTLE STOP | 1 | - | - | EDS5 | |
| 10 | 16148-141-881 | CAP, CHOKE DUST | 1 | - | - | EDS5 | |
| 11 | 16166-ZE3-701 | NOZZLE, MAIN | 1 | - | - | EDS5 | |
| 12 | 16211-ZB8-000 | INSULATOR, CARBURETOR | 1 | - | - | EDS5 | |
| 13 | 16221-ZB7-800 | PACKING, CARBURETOR | 1 | - | - | 2362400 | EDS5 |
| 14 | 16223-ZE3-800 | PACKING, INSULATOR | 1 | - | - | EDS5 | |
| 15 | 16230-ZE3-701 | VALVE ASSY., SOLENOID | 1 | - | - | EDS5 | |
| 16 | 16260-ZB7-000 | STAY ASSY., SOLENOID | 1 | - | - | EDS5 | |
| 17 | 16261-ZB7-000 | STAY COMP., CHOKE SOLENOID .. | 1 | - | - | EDS5 | |
| 18 | 16262-ZB7-000 | LEVER, CHOKE SOLENOID | 1 | - | - | EDS5 | |
| 19 | 16263-ZA0-000 | JOINT, ROD | 1 | - | - | EDS5 | |
| 20 | 16264-ZB7-000 | ROD, CHOKE SOLENOID | 1 | - | - | EDS5 | |
| 21 | 16265-ZB7-000 | SOLENOID ASSY., CHOKE | 1 | - | - | EDS5 | |
| 22 | 16266-ZB7-000 | SPACER, CHOKE SOLENOID | 1 | - | - | EDS5 | |
| 23 | 16267-ZB7-003 | SOLENOID, ROTARY CHOKE | 1 | - | - | EDS5 | |
| 24 | 16269-ZA0-800 | PACKING, AIR CLEANER | 2 | - | - | EDS5 | |
| 25 | 93892-05012-08 | SCREW-WASHER, 5X12 | 2 | - | - | EDS5 | |

2

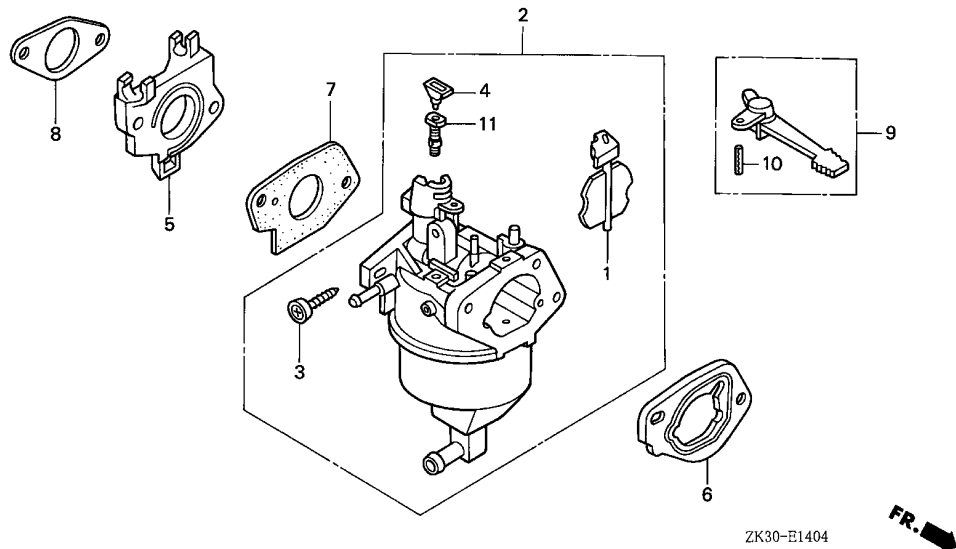


| Ref. No. | Part No. | Description | Reqd. QTY | | | Serial No. | Parts catalogue code |
|----------|----------------|---------------------------|-----------|-------|-----|------------|----------------------|
| | | | GX | 340K1 | | | |
| | | | (1) | (2) | (3) | | |
| 26 | 94001-03000-0S | NUT, HEX., 3MM | 2 | - | - | ----- | EDS5 |
| 27 | 94050-06000 | NUT, FLANGE, 6MM | 2 | - | - | ----- | EDS5 |
| 28 | 94111-03800 | WASHER, SPRING, 3MM | 2 | - | - | ----- | EDS5 |
| 29 | 99101-ZH8-0920 | JET, MAIN, #92 | (1) | - | - | ----- | EDS5 |
| | 99101-ZH8-0950 | JET, MAIN, #95 | (1) | - | - | ----- | EDS5 |
| | 99101-ZH8-0980 | JET, MAIN, #98 | 1 | - | - | ----- | EDS5 |
| 30 | 99204-ZE2-0380 | JET SET, PILOT, #38 | 1 | - | - | ----- | EDS5 |

E-14-4

CARBURETOR(5)

M15



| Ref. No. | L.O.N. | (Relative ref. Number) Description | F.R.T. |
|----------|--------|---|--------|
| 1 | 8101C5 | CHOKE SET, CARBURETOR | 0.2 |
| 2 | 3111F3 | CARBURETOR | 0.2 |
| 5 | 3111C0 | INSULATOR, CARBURETOR AND/OR PACKING, INSULATOR | 0.2 |
| 6 | 3111D9 | SPACER, CARBURETOR | 0.2 |
| 7 | 3111C8 | PACKING, CARBURETOR | 0.2 |
| 9 | 8101F9 | LEVER, CARBURETOR CHOKE | 0.2 |

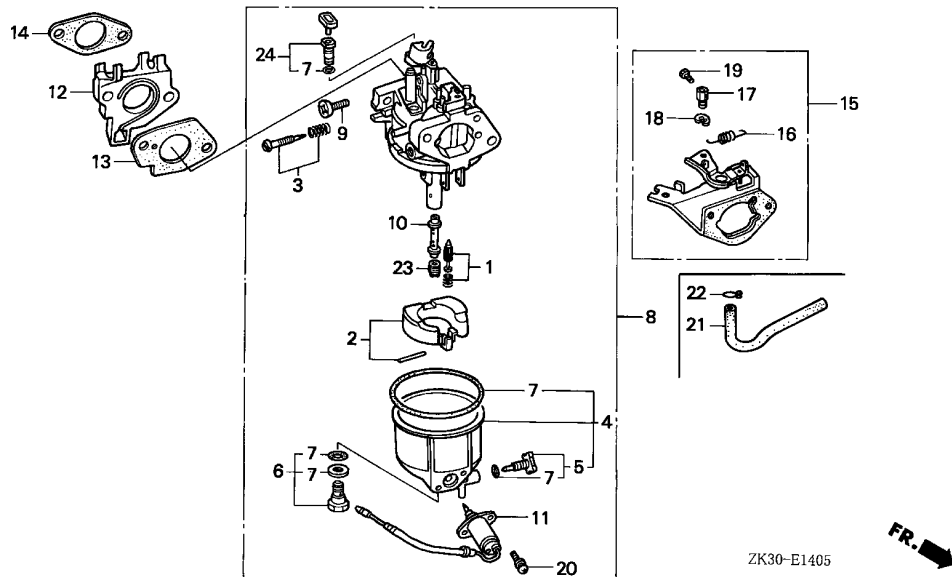
| Ref. No. | Part No. | Description | Reqd. QTY | | | Serial No. | Parts catalogue code |
|----------|----------------|---------------------------------|-----------|-------|-----|------------|----------------------|
| | | | GX | 340K1 | (3) | | |
| 1 | 16044-ZE3-W61 | CHOKE SET | - | - | 1 | | |
| 2 | 16100-ZE3-W61 | CARBURETOR ASSY. (BEL4A A) .. | - | - | 1 | | |
| 3 | 16124-ZE0-005 | SCREW, THROTTLE STOP | - | - | 1 | | |
| 4 | 16172-ZE3-W10 | COLLAR, SETTING | - | - | 1 | | |
| 5 | 16211-ZF6-000 | INSULATOR, CARBURETOR | - | - | 1 | | |
| 6 | 16220-ZA0-702 | SPACER COMP., CARBURETOR | - | - | 1 | | |
| 7 | 16221-ZF6-800 | PACKING, CARBURETOR | - | - | 1 | | |
| 8 | 16223-ZE3-W00 | PACKING, INSULATOR | - | - | 1 | | |
| 9 | 16610-ZE1-000 | LEVER COMP., CHOKE (STD.) | - | - | 1 | | |
| 10 | 94305-20122 | PIN, SPRING, 2X12 | - | - | 1 | | |
| 11 | 99104-ZE0-0450 | JET, PILOT, #45 | - | - | 1 | | |

2

E-14-5

CARBURETOR(6)

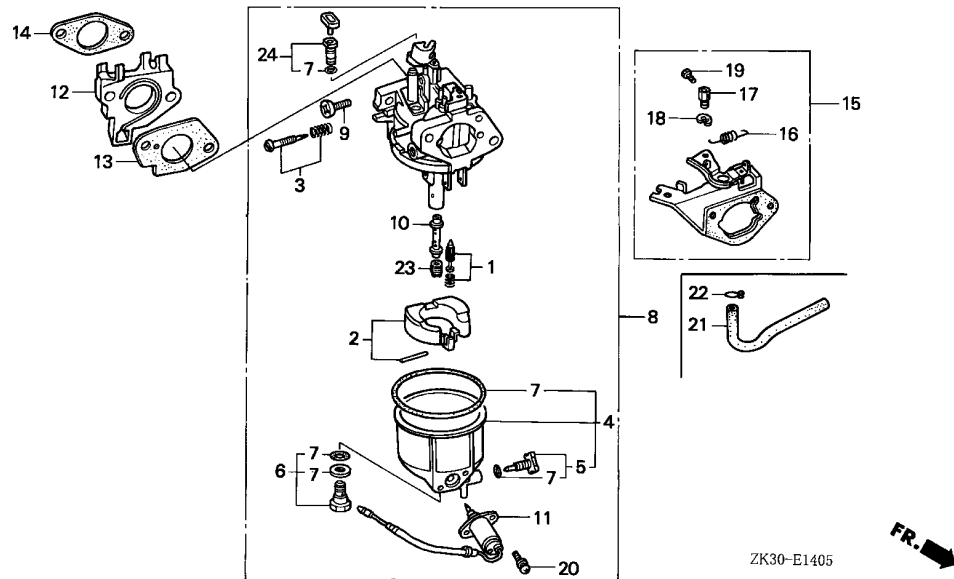
M16



| Ref. No. | L.O.N. | (Relative ref. Number) Description | F.R.T. |
|----------|--------|---|--------|
| 1 | | (2) | |
| 3111E1 | | VALVE SET, FLOAT AND/OR FLOAT SET | 0.3 |
| 3 | 3111D7 | SCREW SET, PILOT | 0.2 |
| 4 | 3111A3 | CHAMBER SET, FLOAT AND/OR GASKET, FLOAT CHAMBER | 0.2 |
| 8 | 3111F3 | CARBURETOR | 0.2 |
| 11 | 6211C0 | VALVE, CARBURETOR SOLENOID ... | 0.2 |
| 12 | | (14) | |
| 3111C0 | | INSULATOR, CARBURETOR AND/OR PACKING, INSULATOR | 0.2 |
| 13 | 3111C8 | PACKING, CARBURETOR | 0.2 |
| 15 | 3111D0 | STAY, CHOKE CONTROL(A) | 0.3 |
| 16 | 3111M8 | SPRING, CHOKE CONTROL STAY RETURN | 0.1 |
| 21 | 3101F6 | TUBE, FUEL | 0.1 |
| 23 | 3111C3 | JET, MAIN | 0.3 |

| Ref. No. | Part No. | Description | Reqd. QTY | | | Serial No. | Parts catalogue code |
|----------|---------------|-------------------------------|-----------|-------|-----|----------------------|----------------------|
| | | | GX | 340K1 | (3) | | |
| 1 | 16011-ZA0-931 | VALVE SET, FLOAT | 1 | - | - | ZK1,ZK1/A | |
| 2 | 16013-ZA0-931 | FLOAT SET | 1 | - | - | ZK1,ZK1/A | |
| 3 | 16016-ZE0-005 | SCREW SET, PILOT | 1 | - | - | ZK1,ZK1/A | |
| 4 | 16023-ZE3-L60 | CHAMBER SET, FLOAT | 1 | - | - | ZK1,ZK1/A | |
| 5 | 16024-ZE3-L60 | SCREW SET, DRAIN | 1 | - | - | ZK1,ZK1/A | |
| 6 | 16028-ZA0-981 | SCREW SET | 1 | - | - | ZK1,ZK1/A | |
| 7 | 16040-ZA0-702 | GASKET SET | 1 | - | - | ZK1,ZK1/A | |
| 8 | 16100-ZE3-L60 | CARBURETOR ASSY. (BE30D A) .. | 1 | - | - | 2527183 ZK1 | |
| | 16100-ZE3-L62 | CARBURETOR ASSY. (BE30D D) .. | 1 | - | - | 2527184 2767218 ZK1 | |
| | 16100-ZE3-L63 | CARBURETOR ASSY. (BE30D E) .. | 1 | - | - | ZK1/A | |
| 9 | 16124-ZE0-005 | SCREW, THROTTLE STOP | 1 | - | - | 2767219 ZK1 | |
| 10 | 16166-ZE3-811 | NOZZLE, MAIN | 1 | - | - | ZK1,ZK1/A | |
| 11 | 16200-ZJ1-003 | VALVE ASSY., SOLENOID | 1 | - | - | ZK1,ZK1/A | |
| 12 | 16211-ZE3-000 | INSULATOR, CARBURETOR | 1 | - | - | ZK1,ZK1/A | |
| 13 | 16221-ZE3-800 | PACKING, CARBURETOR | 1 | - | - | ZK1,ZK1/A | |
| 14 | 16223-ZE3-W00 | PACKING, INSULATOR | 1 | - | - | ZK1,ZK1/A | |
| 15 | 16590-ZE3-L60 | STAY ASSY., CHOKE CONTROL | 1 | - | - | (REMOTE) 2375015 ZK1 | |
| | 16590-ZE3-L62 | | 1 | - | - | 2375016 2492684 ZK1 | |
| | 16590-ZE3-L63 | | 1 | - | - | ZK1/A | |
| | | | 1 | - | - | 2492685 ZK1 | |
| 16 | 16615-ZE2-810 | SPRING, RETURN | 1 | - | - | ZK1,ZK1/A | |
| 17 | 16617-ZE3-H00 | HOLDER, WIRE | 1 | - | - | 2375015 ZK1 | |
| | 16594-883-010 | | 1 | - | - | ZK1/A | |
| | | | 1 | - | - | 2375016 ZK1 | |

2



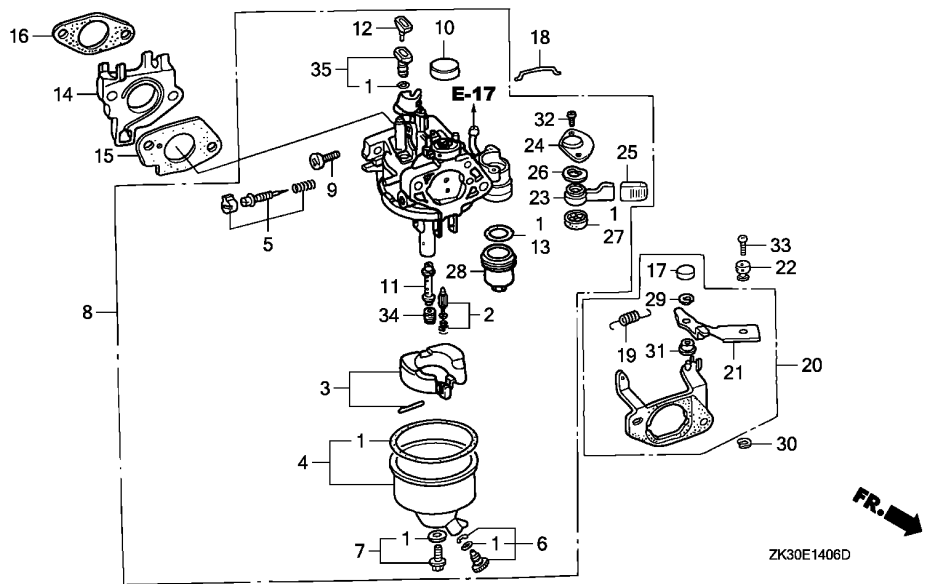
| Ref. No. | Part No. | Description | Reqd. QTY | | | Serial No. | Parts catalogue code |
|----------|----------------|--|--------------------|-----|-----|------------|----------------------|
| | | | GX 340K1 (1) | (2) | (3) | | |
| 18 | 90605-230-000 | CIRCLIP, 5MM | 1 | - | - | ----- | ZK1,ZK1/A |
| 19 | 92301-04006-0A | BOLT, RECESSED, 4X6 | 1 | - | - | ----- | ZK1,ZK1/A |
| 20 | 93892-05012-18 | SCREW-WASHER, 5X12 | 2 | - | - | ----- | ZK1,ZK1/A |
| 21 | 95001-45260-40 | TUBE, FUEL, 4.5X260 (95001-45001-60M) | 1 | - | - | ----- | ZK1/A |
| | | | 1 | - | - | 2616064 | ZK1 |
| 22 | 95002-02080 | CLIP, TUBE (B8) | 1 | - | - | ----- | ZK1/A |
| | | | 1 | - | - | 2616064 | ZK1 |
| 23 | 99101-ZH7-0950 | JET, MAIN, #95 | 1 | - | - | ----- | BE30D A ZK1 |
| | 99101-ZH7-0980 | JET, MAIN, #98 | 1 | - | - | ----- | ZK1/A |
| | | (CARBURETOR NO.) | 1 | - | - | BE30D D | ZK1 |
| 24 | 99204-ZE0-0350 | JET SET, PILOT, #35 | 1 | - | - | ----- | BE30D D ZK1 |
| | 99204-ZA0-0400 | JET SET, PILOT, #40 | 1 | - | - | ----- | ZK1/A |
| | | (CARBURETOR NO.) | 1 | - | - | BE30D E | ZK1 |



E-14-6

CARBURETOR(7)

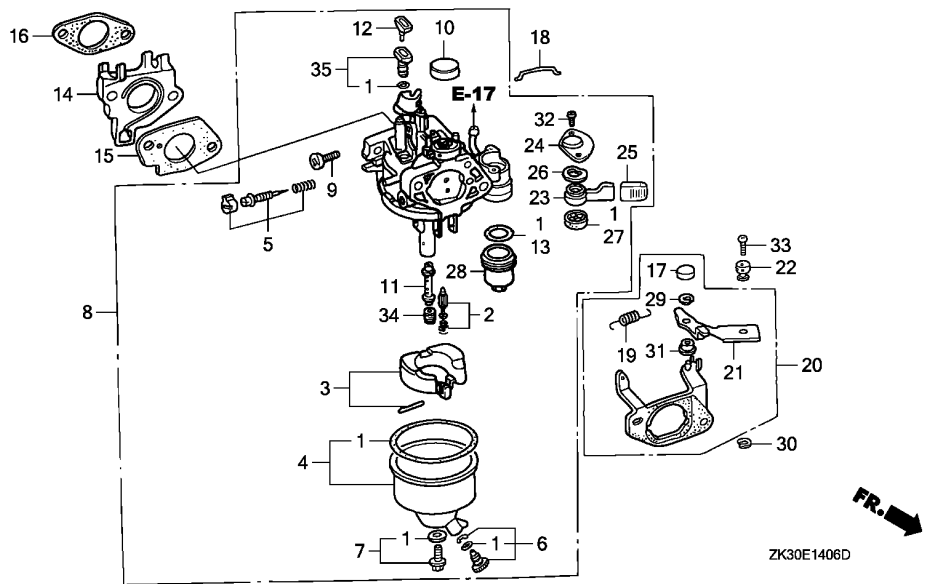
N 2



| Ref. No. | L.O.N. | (Relative ref. Number) Description | F.R.T. |
|----------|--------|---|--------|
| 1 | 3111B1 | GASKET SET, CARBURETOR | 0.3 |
| 2 | 3111E1 | VALVE SET, FLOAT AND/OR FLOAT SET | 0.3 |
| 4 | 3111A3 | CHAMBER SET, FLOAT AND/OR GASKET, FLOAT CHAMBER | 0.2 |
| 5 | 3111D7 | SCREW SET, PILOT | 0.2 |
| 8 | 3111F3 | CARBURETOR | 0.2 |
| 13 | 3101L6 | PACKING, FUEL STRAINER CUP ... | 0.2 |
| 14 | 3111C0 | INSULATOR, CARBURETOR AND/OR PACKING, INSULATOR | 0.2 |
| 15 | 3111C8 | PACKING, CARBURETOR | 0.2 |
| 18 | 8101J8 | ROD, CARBURETOR CHOKE | 0.2 |
| 19 | 3131J6 | SPRING, CARBURETOR THROTTLE RETURN | 0.1 |
| 20 | 3111D0 | STAY, CHOKE CONTROL(A) | 0.3 |
| 27 | 3101C5 | PACKING, FUEL COCK | 0.2 |
| 34 | 3111C3 | JET, MAIN | 0.3 |

| Ref. No. | Part No. | Description | Reqd. QTY | | | Serial No. | Parts catalogue code |
|----------|---------------|---------------------------------------|-----------|-------|-----|------------|----------------------|
| | | | GX | 340K1 | | | |
| | | | (1) | (2) | (3) | | |
| 1 | 16010-ZE2-A20 | GASKET SET (INCLUDE 16173-001-004) | 1 | - | - | ----- | LWD1,LWD1/A |
| 2 | 16011-ZA0-931 | VALVE SET, FLOAT | 1 | - | - | ----- | LWD1,LWD1/A |
| 3 | 16013-ZA0-931 | FLOAT SET | 1 | - | - | ----- | LWD1,LWD1/A |
| 4 | 16015-ZE2-A20 | CHAMBER SET, FLOAT | 1 | - | - | ----- | LWD1,LWD1/A |
| 5 | 16016-ZH7-W01 | SCREW SET, PILOT | 1 | - | - | ----- | LWD1,LWD1/A |
| 6 | 16024-ZH7-A20 | SCREW SET, DRAIN | 1 | - | - | ----- | LWD1,LWD1/A |
| 7 | 16028-ZE0-005 | SCREW SET | 1 | - | - | ----- | LWD1,LWD1/A |
| 8 | 16100-ZE3-H61 | CARBURETOR ASSY. (BE80E A) .. | 1 | - | - | ----- | LWD1,LWD1/A |
| 9 | 16124-ZE0-005 | SCREW, THROTTLE STOP | 1 | - | - | ----- | LWD1,LWD1/A |
| 10 | 16148-141-881 | CAP, CHOKE DUST | 1 | - | - | ----- | LWD1,LWD1/A |
| 11 | 16166-ZE3-H61 | NOZZLE, MAIN | 1 | - | - | ----- | LWD1,LWD1/A |
| 12 | 16172-ZE3-W10 | COLLAR, SETTING | 1 | - | - | ----- | LWD1,LWD1/A |
| 13 | 16173-001-004 | PACKING, FUEL STRAINER CUP .. | 1 | - | - | ----- | LWD1,LWD1/A |
| 14 | 16211-ZE3-000 | INSULATOR, CARBURETOR | 1 | - | - | ----- | LWD1,LWD1/A |
| 15 | 16221-ZE3-800 | PACKING, CARBURETOR | 1 | - | - | ----- | LWD1,LWD1/A |
| 16 | 16223-ZE3-W00 | PACKING, INSULATOR | 1 | - | - | ----- | LWD1,LWD1/A |
| 17 | 16252-ZA1-010 | CAP, CHOKE LEVER | 1 | - | - | ----- | LWD1,LWD1/A |
| 18 | 16264-ZE2-780 | ROD, CHOKE | 1 | - | - | ----- | LWD1,LWD1/A |
| 19 | 16562-896-000 | SPRING, THROTTLE RETURN | 1 | - | - | ----- | LWD1,LWD1/A |
| 20 | 16590-ZE2-772 | STAY ASSY., CHOKE CONTROL (REMOTE) | 1 | - | - | ----- | LWD1,LWD1/A |
| 21 | 16610-ZE2-780 | LEVER, CHOKE | 1 | - | - | ----- | LWD1,LWD1/A |
| 22 | 16617-ZE3-H00 | HOLDER, WIRE | 1 | - | - | ----- | LWD1,LWD1/A |
| 23 | 16953-ZE1-712 | LEVER, COCK | 1 | - | - | ----- | LWD1,LWD1/A |

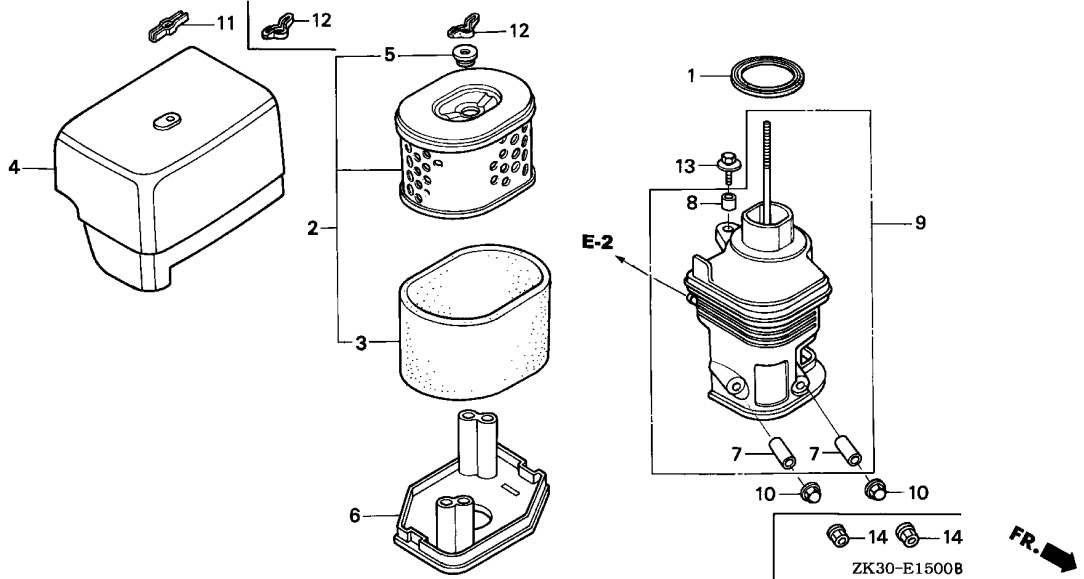
2



ZK30E1406D

| Ref. No. | Part No. | Description | Reqd. QTY | | | Serial No. | Parts catalogue code |
|----------|----------------|----------------------|-----------|-------|-----|------------|----------------------|
| | | | GX | 340K1 | | | |
| | | | (1) | (2) | (3) | | |
| 24 | 16954-ZE1-812 | PLATE, LEVER SETTING | 1 | - | - | ----- | LWD1,LWD1/A |
| 25 | 16955-ZE2-H21 | CAP, LEVER | 1 | - | - | ----- | LWD1,LWD1/A |
| 26 | 16956-ZE1-811 | SPRING, COCK LEVER | 1 | - | - | ----- | LWD1,LWD1/A |
| 27 | 16957-ZE1-812 | PACKING, FUEL COCK | 1 | - | - | ----- | LWD1,LWD1/A |
| 28 | 16967-ZE0-811 | CUP, FUEL STRAINER | 1 | - | - | ----- | LWD1,LWD1/A |
| 29 | 38689-680-960 | E-RING, 4MM | 1 | - | - | ----- | LWD1,LWD1/A |
| 30 | 90605-230-000 | CIRCLIP, 5MM | 1 | - | - | ----- | LWD1,LWD1/A |
| 31 | 91502-ZA0-310 | BUSH, CHOKE LEVER | 1 | - | - | ----- | LWD1,LWD1/A |
| 32 | 93500-03006-1H | SCREW, PAN, 3X6 | 2 | - | - | ----- | LWD1,LWD1/A |
| 33 | 93500-04006-0H | SCREW, PAN, 4X6 | 1 | - | - | ----- | LWD1,LWD1/A |
| 34 | 99101-ZH8-0920 | JET, MAIN, #92 | (1) | - | - | ----- | LWD1,LWD1/A |
| | 99101-ZH8-0950 | JET, MAIN, #95 | (1) | - | - | ----- | LWD1,LWD1/A |
| | 99101-ZH8-0980 | JET, MAIN, #98 | 1 | - | - | ----- | LWD1,LWD1/A |
| 35 | 99204-ZE0-0350 | JET SET, PILOT, #35 | 1 | - | - | ----- | LWD1,LWD1/A |



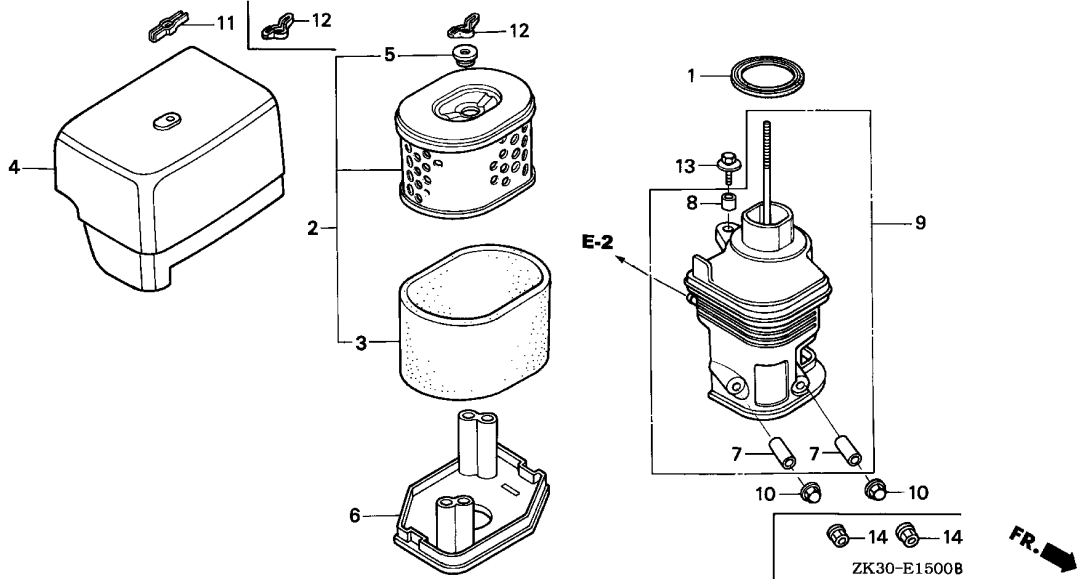


| Ref. No. | L.O.N. | (Relative ref. Number) Description | F.R.T. |
|----------|--------|---------------------------------------|--------|
| 1 | 3121E1 | PACKING, ELBOW | 0.1 |
| 2 | 3121B8 | ELEMENT, AIR CLEANER | 0.1 |
| | | .INCLUDES: Air cleaner- inspection | |
| 3 | 3121C1 | FILTER, OUTER | 0.1 |
| 6 | 3121D6 | NOSE, SILENCER | 0.1 |
| 9 | 3121B4 | ELBOW, AIR CLEANER | 0.1 |

| Ref. No. | Part No. | Description | Reqd. QTY | | | Serial No. | Parts catalogue code |
|----------|---------------|----------------------|-----------|-----|-----|------------|---|
| | | | GX | (1) | (2) | | |
| 1 | 16271-ZE2-010 | PACKING, ELBOW | 1 | - | - | ----- | BJ, EDK, EDN5, EDN5/A, ED7, ED8, ED8/A, ED9, ED9/A, EN, ES, ES1, ES1/A, ES2, ET, ETS, ETX, HA, HAQ, HA2, HA2/A, HH, HX, HX2, HX26, HX26/A, LH, LH/A, LHB1, LHB3, LHB3/A, LHB5, LHE, LHE/A, LHQ4, LHQ4/A, LJ, LJ/A, LJG, LJG/A, LJS1, LKE, LKE/A, LSX, LWD, LX, LX/A, LXE, LXE/A, LXE2, LXE2/A, LXE4, LXE4/A, LXE6, LXE8, LXE8/A, LXQ4, LXQ4/A, LXU, LXU/A, LXZ, LXZ, LXZ/A, LX26, LX26/A, PKT2, PKT2/A, PKT4, PKT4/A, PKX2, PKX4, PKX4/A, PX, PX/A, PXE8, PXE8/A, QA, QAB2, QAB2/A, QAC2, QAC2/A, QAE, QAE2, QAE2/A, QAE6, QAE6/A, QAG, QAG/A, QAH2, QAH2/A, QAP, QAPE, QAP2, QAP2/A, QAQ, QA2, QA2/A, QA26, QA26/A, QE, QE/A, QH, QH/A, QHB3, QHB3/A, QHB5, QHE, QHE/A, QHP1, QHP1/A, QHQ4, QHQ4/A, QHZ, QKA4, QKA4/A, QL2, QMED, QMED/A, QME8, QME8/A, QMH, QMH/A, QMT2, QMT2/A, QMX2, QNE, QNE2, QNE2/A, QNE6, QNE9, QNE9/A, QNR2, QNR2/A, QNR6, QNR6/A, QN18, QPE2, QTC2, QTC2/A, QX, QX/A, QXB, QXB/A, QXB7, QXB7/A, QXE, QXE/A, QXEB, QXE2, QXE4, QXE4/A, QXE6, QXE6/A, QXE8, QXE8/A, QXQ4, QXQ4/A, QXU, QXU/A, QX2, SDE, SE, SE/A, SH, SH/A, SHB1, SHB3, SHB3/A, SHE, SHEZ, SHQ4, SHQ4/A, SJ, SJ/A, SJG, SJG/A, SKE, SKE/A, SKZ, SKZ/A, SMEO, SMEO/A, SME2, SMX2, SMX2/A, STJ, STJ/A, STP, STP/A, STQ, STQ/A, STR, STR/A, SX, SX/A, SXB, SXB/A, SXB7, SXB7/A, SXE, SXE/A, SXEB, SXEB/A, SXE2, SXE4, SXE4/A, SXE8, SXE8/A, SXP, SXQ4, SXQ4/A, SXU, SXU/A, VA, VAA, VAAE, VAD2, VAD2/A, VAH1, VAH2, VAW1, VA2, VA2/A, VDE, VDE2, VDE2/A, VD16, VE, VEB6, VH, VHE, VH12, VH12/A, VH22, VH22/A, VMX, VNG, VNG1, VNG2, VSH7, VWA, VWA2, VWC2, VWC2/A, VWE2, VWE2/A, VWS2, VWS2/A, VW12, VW12/A, VX, VX/A, VXA, VXB, VXB/A, VXB2, VXB7, VXB7/A, VXE, VXE/A, VXEB, VXEB/A, VXE2, VXE2/A, VXE4, VXE6, VXE7, VXE7/A, VXE8, VXE8/A, VXG, VXK, VXQ4, VXQ4/A, VXU, VXU/A, VXU1, VXU1/A, VX16, VX16/A, VX8, VX8/A, YJ |
| | | | - | (1) | 1 | | |

| Ref. No. | Part No. | Description | Reqd. QTY | | | Serial No. | Parts catalogue code |
|----------|---------------|----------------------------|-----------|-----|-----|------------|--|
| | | | (1) | (2) | (3) | | |
| 2 | 17210-ZE3-010 | ELEMENT, AIR CLEANER | 1 | - | - | ----- | BJ,EDK,EDN5,EDN5/A,ED7,ED8,ED8/A,ED9,ED9/A,EN,ES,ES1,ES1/A,ES2,ET ETS,ETX,HA,HAQ,HA2,HA2/A,HH,HX,HX2,HX26,HX26/A,LH,LH/A,LHB1,LHB3 LHB3/A,LHB5,LHE,LHE/A,LHQ4,LHQ4/A,LJ,LJ/A,LJG,LJG/A,LJS1,LKE LKE/A,LSX,LWD,LX,LX/A,LXE,LXE/A,LXE2,LXE2/A,LXE4,LXE4/A,LXE6,LXE8 LXE8/A,LXQ4,LXQ4/A,LXU,LXU/A,LXZ,LX2,LX2/A,LX26,LX26/A,PKT2 PKT2/A,PKT4,PKT4/A,PKX2,PKX4,PKX4/A,PX,PX/A,PXE8,PXE8/A,QA,QAB2 QAB2/A,QAC2,QAC2/A,QAQ,QAQ2,QAQ2/A,QAQ,QA2,QA2/A,QA26,QA26/A,QE,QE/A,QH QH/A,QHB3,QHB3/A,QHB5,QHE,QHE/A,QHP1,QHP1/A,QHQ4,QHQ4/A,QH2,QKA4 QKA4/A,QL2,QMEO,QMEO/A,QME8,QME8/A,QMH,QMH/A,QMT2,QMT2/A,QMX2,QNE QNE2,QNE2/A,QNE6,QNE9,QNE9/A,QNR2,QNR2/A,QNR6,QNR6/A,QN18,QPE2 QTC2,QTC2/A,QX,QX/A,QXB,QXB/A,QXB7,QXB7/A,QXE,QXE/A,QXEB,QXE2 QXE4,QXE4/A,QXE6,QXE6/A,QXE8,QXE8/A,QXQ4,QXQ4/A,QXU,QXU/A,QX2,SDE SE,SE/A,SH,SH/A,SHB1,SHB3,SHB3/A,SHE,SHEZ,SHQ4,SHQ4/A,SJ,SJ/A,SJG SJG/A,SKE,SKE/A,SKZ,SKZ/A,SME0,SME0/A,SME2,SMX2,SMX2/A,STJ,STJ/A STP,STP/A,STQ,STQ/A,STR,STR/A,SX,SX/A,SBX,SBX/A,SBX7,SBX7/A,SXE SXE/A,SXEB,SXEB/A,SXE2,SXE4,SXE4/A,SXE8,SXE8/A,SXP,SXQ4,SXQ4/A SXU,SXU/A,VA,VAA,VAE,VAD2,VAD2/A,VAH1,VAH2,VAW1,VA2,VA2/A,VDE VDE2,VDE2/A,VD16,VE,VEB6,VH,VHE,VH12,VH12/A,VMX,VNG VNG1,VNG2,VSH7,VWA,VWA2,VWC2,VWC2/A,VWE2,VWE2/A,VWS2,VWS2/A,VW12 VW12/A,VX,VX/A,VXA,VXB,VXB/A,VXB2,VXB7,VXB7/A,VXE,VXE/A,VXEB VXEB/A,VXE2,VXE2/A,VXE4,VXE6,VXE7,VXE7/A,VXE8,VXE8/A,VXG,VXK,VXQ4 VXQ4/A,VXU,VXU/A,VXU1,VXU1/A,VX16,VX16/A,VX8,VX8/A,YJ |
| | | | - | (1) | 1 | | |
| 3 | 17218-ZE3-000 | FILTER, OUTER | 1 | - | - | ----- | BJ,EDK,EDN5,EDN5/A,ED7,ED8,ED8/A,ED9,ED9/A,EN,ES,ES1,ES1/A,ES2,ET ETS,ETX,HA,HAQ,HA2,HA2/A,HH,HX,HX2,HX26,HX26/A,LH,LH/A,LHB1,LHB3 LHB3/A,LHB5,LHE,LHE/A,LHQ4,LHQ4/A,LJ,LJ/A,LJG,LJG/A,LJS1,LKE LKE/A,LSX,LWD,LX,LX/A,LXE,LXE/A,LXE2,LXE2/A,LXE4,LXE4/A,LXE6,LXE8 LXE8/A,LXQ4,LXQ4/A,LXU,LXU/A,LXZ,LX2,LX2/A,LX26,LX26/A,PKT2 PKT2/A,PKT4,PKT4/A,PKX2,PKX4,PKX4/A,PX,PX/A,PXE8,PXE8/A,QA,QAB2 QAB2/A,QAC2,QAC2/A,QAQ,QAQ2,QAQ2/A,QAQ,QA2,QA2/A,QA26,QA26/A,QE,QE/A,QH QH/A,QHB3,QHB3/A,QHB5,QHE,QHE/A,QHP1,QHP1/A,QHQ4,QHQ4/A,QH2,QKA4 QKA4/A,QL2,QMEO,QMEO/A,QME8,QME8/A,QMH,QMH/A,QMT2,QMT2/A,QMX2,QNE QNE2,QNE2/A,QNE6,QNE9,QNE9/A,QNR2,QNR2/A,QNR6,QNR6/A,QN18,QPE2 QTC2,QTC2/A,QX,QX/A,QXB,QXB/A,QXB7,QXB7/A,QXE,QXE/A,QXEB,QXE2 QXE4,QXE4/A,QXE6,QXE6/A,QXE8,QXE8/A,QXQ4,QXQ4/A,QXU,QXU/A,QX2,SDE SE,SE/A,SH,SH/A,SHB1,SHB3,SHB3/A,SHE,SHEZ,SHQ4,SHQ4/A,SJ,SJ/A,SJG SJG/A,SKE,SKE/A,SKZ,SKZ/A,SME0,SME0/A,SME2,SMX2,SMX2/A,STJ,STJ/A STP,STP/A,STQ,STQ/A,STR,STR/A,SX,SX/A,SBX,SBX/A,SBX7,SBX7/A,SXE SXE/A,SXEB,SXEB/A,SXE2,SXE4,SXE4/A,SXE8,SXE8/A,SXP,SXQ4,SXQ4/A SXU,SXU/A,VA,VAA,VAE,VAD2,VAD2/A,VAH1,VAH2,VAW1,VA2,VA2/A,VDE VDE2,VDE2/A,VD16,VE,VEB6,VH,VHE,VH12,VH12/A,VMX,VNG VNG1,VNG2,VSH7,VWA,VWA2,VWC2,VWC2/A,VWE2,VWE2/A,VWS2,VWS2/A,VW12 VW12/A,VX,VX/A,VXA,VXB,VXB/A,VXB2,VXB7,VXB7/A,VXE,VXE/A,VXEB VXEB/A,VXE2,VXE2/A,VXE4,VXE6,VXE7,VXE7/A,VXE8,VXE8/A,VXG,VXK,VXQ4 VXQ4/A,VXU,VXU/A,VXU1,VXU1/A,VX16,VX16/A,VX8,VX8/A,YJ |
| | | | - | (1) | 1 | | |

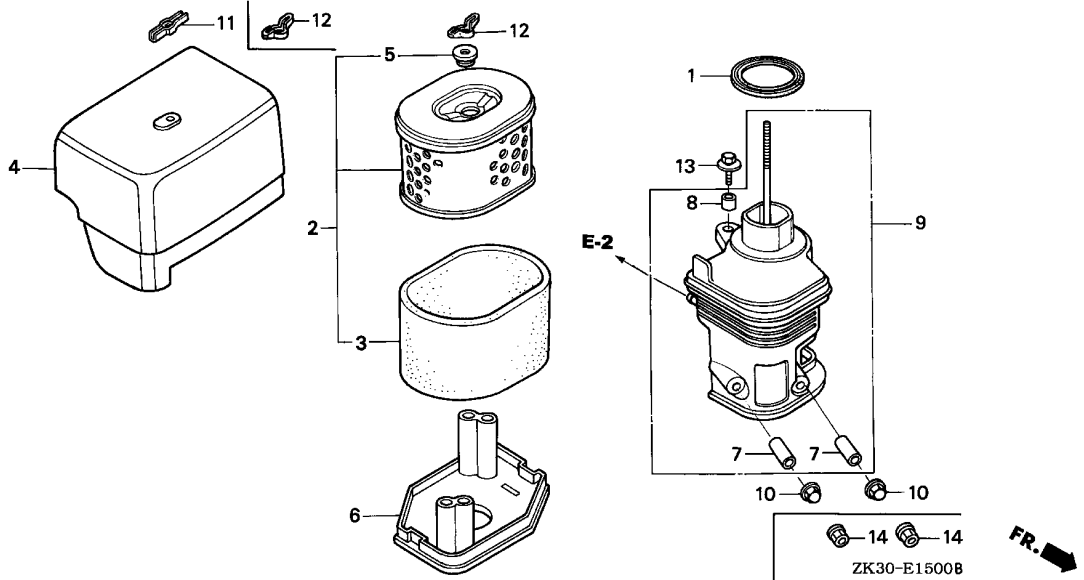




| Ref. No. | Part No. | Description | Reqd. QTY | | | Serial No. | Parts catalogue code |
|----------|---------------|--------------------|-----------|-------|-----|------------|---|
| | | | GX | 340K1 | | | |
| | | | (1) | (2) | (3) | | |
| 4 | 17231-ZE3-W00 | COVER, AIR CLEANER | 1 | (1) | - | ----- | BJ, ED7, EN, ES, ET, ETS, ETX, HA, HAQ, HH, HX, HX2, LHB1, LSX, LXE6, LXZ, QA, QAE, QAP, QAPE, QAAQ, QH2, QL2, QMX2, QNE, QNE6, QN18, QPE2, QXEB, QXE2, QX2, SDE, SHB1, SHE, SHEZ, SME2, SXE2, SXP, VA, VAA, VAAE, VAH1, VAH2, VAW1, VDE, VD16, VE, VEB6, VH, VHE, VMX, VNG, VNG1, VNG2, VWA, VWA2, VXA, VXB2, VXE4, VXE6, VXG, V1, YJ |
| | | | 1 | (1) | - | ----- | 3394504 EDN5, ED8, ED9, ES1, HA2, HX26, LH, LHB3, LHE, LHQ4, LJ, LJG, LKE, LX, LXE, LXE2, LXE4, LXE8, LXQ4, LXU, LX2, LX26, L1, PKT2, PKT4, PKX4, PX, PXE8, P1, QAB2, QAC2, QAE2, QAE6, QAH2, QAP2, QA2, QA26, QE, QH, QHB3, QHE, QHP1, QHQ4, QKA4, QMED, QME8, QMH, QMT2, QNE2, QNE9, QNR2, QNR6, QTC2, QX, QXB, QXE, QXE4, QXE6, QXE8, QXQ4, QXU, Q1, SE, SH, SHB3, SHQ4, SJ, SJG, SKE, SKZ, SMED, SMX2, STJ, STP, STQ, STR, SX, SXB, SXE, SXEB, SXE4, SXE8, SXQ4, SXU, S1, VAD2, VA2, VDE2, VH12, VH22, VWC2, VWE2, VWS2, VW12, VX, VXB, VXE, VXEB, VXE2, VXE8, VXQ4, VXU, VXU1, VX16, VX8 |
| | | | - | - | 1 | | |

| Ref. No. | Part No. | Description | Reqd. QTY | | | Serial No. | Parts catalogue code |
|----------|---------------|----------------------------|--------------------|-----|-----|---------------|--|
| | | | GX 340K1 (1) | (2) | (3) | | |
| (4) | 17231-ZE3-W01 | COVER, AIR CLEANER | 1 | (1) | - | ----- | EDK,EDN5/A,ED8/A,ED9/A,ES1/A,ES2,HA2/A,HX26/A,LH/A,LHB3/A,LHB5 LHE/A,LHQ4/A,LJ/A,LJG/A,LJS1,LKE/A,LWD,LX/A,LXE/A,LXE2/A,LXE4/A LXE8/A,LXQ4/A,LXU/A,LX2/A,LX26/A,L1/A,PKT2/A,PKT4/A,PKX2,PKX4/A PX/A,PXE8/A,P1/A,QAB2/A,QAC2/A,QAE2/A,QAE6/A,QAG,QAG/A,QA2/A QAP2/A,QA2/A,QA26/A,QE/A,QH/A,QHB3/A,QHB5,QHE/A,QHP1/A,QHQ4/A QKA4/A,QME0/A,QME8/A,QMH/A,QMT2/A,QNE2/A,QNE9/A,QNR2/A,QNR6/A QTC2/A,QX/A,QXB/A,QXB7/A,QXE/A,QXE4/A,QXE6/A,QXE8/A,QXQ4/A QXU/A,Q1/A,SE/A,SH/A,SHB3/A,SHQ4/A,SJ/A,SJG/A,SKE/A,SKZ/A,SMEO/A SMX2/A,STJ/A,STP/A,STQ/A,STR/A,SX/A,SXB/A,SXB7/A,SXE/A SXEB/A,SXE4/A,SXE8/A,SXQ4/A,SXU/A,S1/A,VAD2/A,VA2/A,VDE2/A,VH12/A VH22/A,VSH7,VWC2/A,VWE2/A,VWS2/A,VW12/A,VX/A,VXB/A,VXB7/VXB7/A VXE/A,VXEB/A,VXE2/A,VXE7,VXE7/A,VXE8/A,VXK,VXQ4/A,VXU/A,VXU1/A VX16/A,VX8/A |
| | | | 1 | (1) | - | 3394505 ----- | EDN5,ED8,ED9,ES1,HA2,HX26,LH,LHB3,LHE,LHQ4,LJ,LJG,LKE,LX,LXE,LXE2 LXE4,LXE8,LXQ4,LXU,LX2,LX26,L1,PKT2,PKT4,PKX4,PX,PXE8,P1,QAB2 QAC2,QAE2,QAE6,QA2,QA26,QE,QH,QHB3,QHE,QHP1,QHQ4,QKA4 QME0,QME8,QMH,QMT2,QNE2,QNE9,QNR2,QNR6,QTC2,QX,QXB,QXE,QXE4,QXE6 QXE8,QXQ4,QXU,Q1,SE,SH,SHB3,SHQ4,SJ,SJG,SKE,SKZ,SMEO,SMX2,STJ,STP STQ,STR,SX,SXB,SXE,SXEB,SXE4,SXE8,SXQ4,SXU,S1,VAD2,A,VA2,A,VDE2,VH12 VH22,VWC2,VWE2,VWS2,VW12,VX,VXB,VXE,VXEB,VXE2,VXE8,VXQ4,VXU,VXU1 VX16,VX8 |
| 5 | 17232-891-000 | GROMMET, AIR CLEANER | 1 | - | - | ----- | BJ,EDK,EDN5,EDN5/A,ED7,ED8,ED8/A,ED9,ED9/A,EN,ES,ES1,ES1/A,ES2,ET ETS,ETX,HA,HAQ,HA2,HA2/A,HH,HX,HX2,HX26,HX26/A,LH,LH/A,LHB1,LHB3 LHB3/A,LHB5,LHE,LHE/A,LHQ4,LHQ4/A,LJ,LJ/A,LJG,LJG/A,LJS1,LKE LKE/A,LSX,LWD,LX,LX/A,LXE,LXE/A,LXE2,LXE2/A,LXE4,LXE4/A,LXE6,LXE8 LXE8/A,LXQ4,LXQ4/A,LXU,LXU/A,LXZ,LX2,LX2/A,LX26,LX26/A,PKT2 PKT2/A,PKT4,PKT4/A,PKX2,PKX4,PKX4/A,PX,PX/A,PXE8,PXE8/A,QA,QAB2 QAB2/A,QAC2,QAC2/A,QAE,QAE2,QAE2/A,QAE6,QAE6/A,QAG,QAG/A,QA2/A QA2/A,QA26,QA26/A,QE,QE/A,QH QH/A,QHB3,QHB3/A,QHB5,QHE,QHE/A,QHP1,QHP1/A,QHQ4,QHQ4/A,QH2,QKA4 QKA4/A,QL2,QME0,QME0/A,QME8,QME8/A,QMH,QMH/A,QMT2,QMT2/A,QMX2,QNE QNE2,QNE2/A,QNE6,QNE9,QNE9/A,QNR2,QNR2/A,QNR6,QNR6/A,QN18,QPE2 QTC2,QTC2/A,QX,QX/A,QXB,QXB/A,QXB7,QXB7/A,QXE,QXE/A,QXEB,QXE2 QXE4,QXE4/A,QXE6,QXE6/A,QXE8,QXE8/A,QXQ4,QXQ4/A,QXU,QXU/A,QX2,SDE SE,SE/A,SH,SH/A,SHB1,SHB3,SHB3/A,SHE,SHEZ,SHQ4,SHQ4/A,SJ,SJ/A,SJG SJG/A,SKE,SKE/A,SKZ,SKZ/A,SMEO,SMEO/A,SME2,SMX2,SMX2/A,STJ,STJ/A STP,STP/A,STQ,STQ/A,STR,STR/A,SX,SX/A,SXB,SXB/A,SXB7,SXB7/A,SXE SXE/A,SXEB,SXEB/A,SXE2,SXE4,SXE4/A,SXE8,SXE8/A,SXP,SXQ4,SXQ4/A SXU,SXU/A,VA,VAA,VAAE,VAD2,VAD2/A,VAH1,VAH2,VAW1,VA2,VA2/A,VDE VDE2,VDE2/A,VD16,VE,VEB6,VH,VHE,VH12,VH12/A,VH22,VH22/A,VMX,VNG VNG1,VNG2,VSH7,VWA,VWA2,VWC2,VWC2/A,VWE2,VWE2/A,VWS2,VWS2/A,VW12 VW12/A,VX,VX/A,VXA,VXB,VXB/A,VXB2,VXB7,VXB7/A,VXE,VXE/A,VXEB VXEB/A,VXE2,VXE2/A,VXE4,VXE6,VXE7,VXE7/A,VXE8,VXE8/A,VXG,VXK,VXQ4 VXQ4/A,VXU,VXU/A,VXU1,VXU1/A,VX16,VX16/A,VX8,VX8/A,YJ |
| | | | - | (1) | 1 | | |

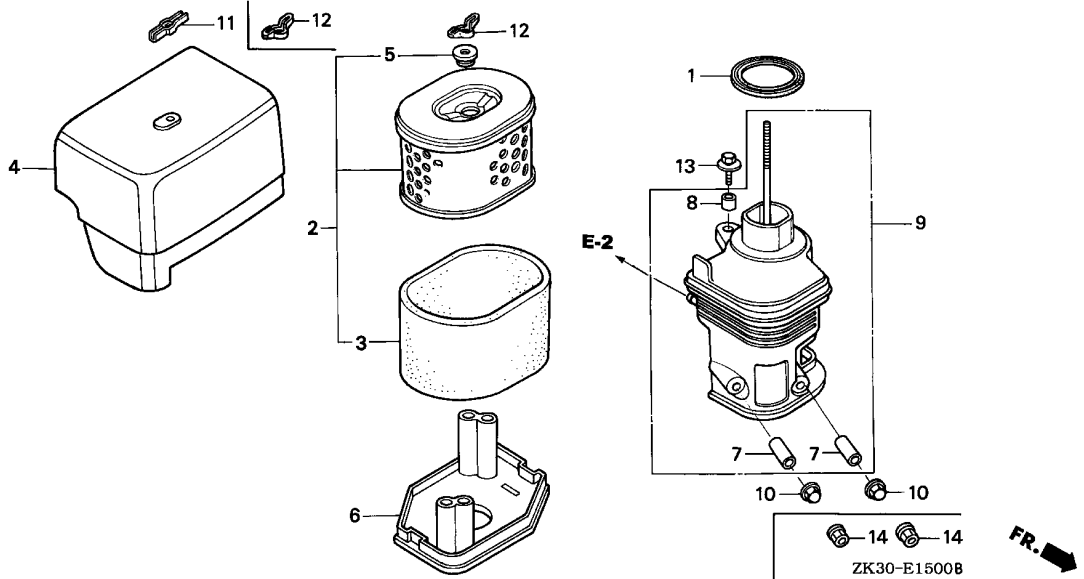




| Ref. No. | Part No. | Description | Reqd. QTY | | | Serial No. | Parts catalogue code |
|----------|---------------|----------------------|-----------|-----|-----|---|---|
| | | | GX | (1) | (2) | | |
| 6 | 17235-ZH9-N00 | NOSE, SILENCER | 1 | (1) | - | BJ, EDN5, ED7, ED8, ED9, EN, ES, ES1, ET, ETS, ETX, HA, HAQ, HA2, HH, HX, HX2, HX26, LH, LHB1, LHB3, LHE, LHQ4, LJ, LJG, LKE, LSX, LX, LXE, LXE2, LXE4, LXE6, LXE8, LXQ4, LXU, LXZ, LX2, LX26, L1, PKT2, PKT4, PKX4, PX, PXE8, P1, QA, QAB2, QAC2, QAE, QAE2, QAE6, QAG, QAH2, QAP, QAPE, QAP2, QAQ, QA2, QA26, QE, QH, QHB3, QHE, QHP1, QHQ4, QH2, QKA4, QL2, QMEO, QME8, QMH, QMT2, QMX2, QNE, QNE2, QNE6, QNE9, QNR2, QNR6, QN18, QPE2, QTC2, QX, QXB, QXB7, QXE, QXEB, QXE2, QXE4, QXE6, QXE8, QXQ4, QXU, QX2, Q1, SDE, SE, SH, SHB1, SHB3, SHE, SHE2, SHQ4, SJ, SJG, SKE, SKZ, SMEO, SME2, SMX2, STJ, STP, STQ, STR, SX, SXB, SXB7, SXE, SXEB, SXE2, SXE4, SXE8, SXP, SXQ4, SXU, S1, VA, VAA, VAAE, VAD2, VAH1, VAH2, VAW1, VA2, VDE, VDE2, VD16, VE, VEB6, VH, VHE, VH12, VH22, VMX, VNG, VNG1, VNG2, VWA, VWA2, VWC2, VWE2, VWS2, VW12, VX, VXA, VXB, VXB2, VXB7, VXE, VXEB, VXE2, VXE4, VXE6, VXE7, VXE8, VXG, VXQ4, VXU, VXU1, VX16, VX8, V1, YJ | |
| | | | 1 | (1) | - | 3980460 | EDN5/A, ED8/A, ED9/A, ES1/A, HA2/A, HX26/A, LH/A, LHB3/A, LHB5, LHE/A, LHQ4/A, LJ/A, LJG/A, LJS1, LKE/A, LWD, LX/A, LXE/A, LXE2/A, LXE4/A, LXE8/A, LXQ4/A, LXU/A, LX2/A, LX26/A, L1/A, PKT2/A, PKT4/A, PKX2, PKX4/A, PX/A, PXE8/A, P1/A, QAB2/A, QAC2/A, QAE2/A, QAE6/A, QAG/A, QAH2/A, QAP2/A, QA2/A, QA26/A, QE/A, QH/A, QHB3/A, QHB5, QHE/A, QHP1/A, QHQ4/A, QKA4/A, QMEO/A, QME8/A, QMH/A, QMT2/A, QNE2/A, QNE9/A, QNR2/A, QNR6/A, QTC2/A, QX/A, QXB/A, QXB7/A, QXE/A, QXE4/A, QXE6/A, QXE8/A, QXQ4/A, QXU/A, Q1/A, SE/A, SH/A, SHB3/A, SHQ4/A, SJ/A, SJG/A, SKE/A, SKZ/A, SMEO/A, SMX2/A, STJ/A, STP/A, STQ/A, STR/A, SX/A, SXB/A, SXB7/A, SXE/A, SXEB/A, SXE4/A, SXE8/A, SXQ4/A, SXU/A, S1/A, VAD2/A, VA2/A, VDE2/A, VH12/A, VH22/A, VSH7, VWC2/A, VWE2/A, VWS2/A, VW12/A, VX/A, VXB/A, VXB7/A, VXE/A, VXEB/A, VXE2/A, VXE7/A, VXE8/A, VXQ4/A, VXU/A, VXU1/A, VX16/A, VX8/A |
| | | | - | - | - | 1 | |

| Ref. No. | Part No. | Description | Reqd. QTY | | | Serial No. | Parts catalogue code |
|----------|---------------|---------------------------|-----------|-----|-----|---------------|--|
| | | | (1) | (2) | (3) | | |
| (6) | 17235-ZH9-N01 | NOSE, SILENCER | 1 | (1) | - | 3980461 ----- | EDN5/A,ED8/A,ED9/A,ES1/A,HA2/A,HX26/A,LH/A,LHB3/A,LHB5,LHE/A,LHQ4/A,LJ/A,LJG/A,LJS/A,LJS1,LKE/A,LWD,LX/A,LXE/A,LXE2/A,LXE4/A,LXE8/A,LXQ4/A,LXU/A,LX2/A,LX26/A,L1/A,PKT2/A,PKT4/A,PKX2,PKX4/A,PX/A,PXE8/A,P1/A,QAB2/A,QAC2/A,QAE2/A,QAE6/A,QAG/A,QAQ2/A,QAP2/A,QA2/A,QA26/A,QA/A,QH/A,QHB3/A,QHB5,QHE/A,QHP1/A,QHQ4/A,QKA4/A,QME0/A,QME8/A,QMH/A,QMT2/A,QNE2/A,QNE9/A,QNR2/A,QNR6/A,QTC2/A,QX/A,QXB/A,QXB7/A,QXE/A,QXE4/A,QXE6/A,QXE8/A,QXQ4/A,QXU/A,Q1/A,SE/A,SH/A,SHB3/A,SHQ4/A,SJ/A,SJG/A,SKE/A,SKZ/A,SMEO/A,SMX2/A,STJ/A,STP/A,STQ/A,STR/A,SX/A,SXB/A,SXB7/A,SXE/A,SXEB/A,SXE4/A,SXE8/A,SXQ4/A,SXU/A,S1/A,VAD2/A,VA2/A,VDE2/A,VH12/A,VH22/A,VSH7,VWC2/A,VWE2/A,VWS2/A,VW12/A,VX/A,VXB/A,VXB7/A,VXE/A,VXEB/A,VXE2/A,VXE7/A,VXE8/A,VXQ4/A,VXU/A,VXU1/A,VX16/A,VX8/A |
| | | | 1 | - | - | ----- | EDK,ES2,VXK |
| 7 | 17238-ZE2-310 | COLLAR, AIR CLEANER | 2 | - | - | ----- | BJ,EDK,EDN5,EDN5/A,ED7,ED8,ED8/A,ED9,ED9/A,EN,ES,ES1,ES1/A,ES2,ET,ETS,ETX,HA,HAQ,HA2,HA2/A,HH,HX,HX2,HX26,HX26/A,LH,LH/A,LHB1,LHB3,LHB3/A,LHB5,LHE,LHE/A,LHQ4,LHQ4/A,LJ,LJ/A,LJG,LJG/A,LJS1,LKE,LKE/A,LSX,LWD,LX,LX/A,LXE,LXE/A,LXE2,LXE2/A,LXE4,LXE4/A,LXE6,LXE8,LXE8/A,LXQ4,LXQ4/A,LXU,LXU/A,LXZ,LX2,LX2/A,LX26,LX26/A,PKT2,PKT2/A,PKT4,PKT4/A,PKX2,PKX4,PKX4/A,PX,PX/A,PXE8,PXE8/A,QA,QAB2,QAB2/A,QAC2,QAC2/A,QAE,QAE2,QAE2/A,QAE6,QAE6/A,QAG,QAG/A,QAQ2,QAQ2/A,QAP,QAPE,QAP2,QAP2/A,QAQ,QA2,QA2/A,QA26,QA26/A,QAQ,QA/A,QH,QH/A,QHB3,QHB3/A,QHB5,QHE,QHE/A,QHP1,QHP1/A,QHQ4,QHQ4/A,QH2,QKA4,QKA4/A,QL2,QME0,QME0/A,QME8,QME8/A,QMH,QMH/A,QMT2,QMT2/A,QMX2,QNE,QNE2,QNE2/A,QNE6,QNE9,QNE9/A,QNR2,QNR2/A,QNR6,QNR6/A,QN18,QPE2,QTC2,QTC2/A,QX,QX/A,QXB,QXB/A,QXB7,QXB7/A,QXE,QXE/A,QXEB,QXE2,QXE4,QXE4/A,QXE6,QXE6/A,QXE8,QXE8/A,QXQ4,QXQ4/A,QXU,QXU/A,QX2,SDE,SE,SE/A,SH,SH/A,SHB1,SHB3,SHB3/A,SHE,SHEZ,SHQ4,SHQ4/A,SJ,SJ/A,SJG,SJG/A,SKE,SKE/A,SKZ,SKZ/A,SMEO,SMEO/A,SME2,SMX2,SMX2/A,STJ,STJ/A,STP,STP/A,STQ,STQ/A,STR,STR/A,SX,SX/A,SXB,SXB/A,SXB7,SXB7/A,SXE,SXE/A,SXEB,SXEB/A,SXE2,SXE4,SXE4/A,SXE8,SXE8/A,SXP,SXQ4,SXQ4/A,SXU,SXU/A,VA,VAA,VAAE,VAD2,VAD2/A,VAH1,VAH2,VAW1,VA2,VA2/A,VDE,VDE2,VDE2/A,VD16,VE,VEB6,VH,VHE,VH12,VH12/A,VH22,VH22/A,VMX,VNG,VNG1,VNG2,VSH7,VWA,VWA2,VWC2,VWC2/A,VWE2,VWE2/A,VWS2,VWS2/A,VW12,VW12/A,VX,VX/A,VXA,VXB,VXB/A,VXB2,VXB7,VXB7/A,VXE,VXE/A,VXEB,VXEB/A,VXE2,VXE2/A,VXE4,VXE6,VXE7,VXE7/A,VXE8,VXE8/A,VXG,VXK,VXQ4,VXQ4/A,VXU,VXU/A,VXU1,VXU1/A,VX16,VX16/A,VX8,VX8/A,YJ |
| | | | - | (2) | 2 | | |

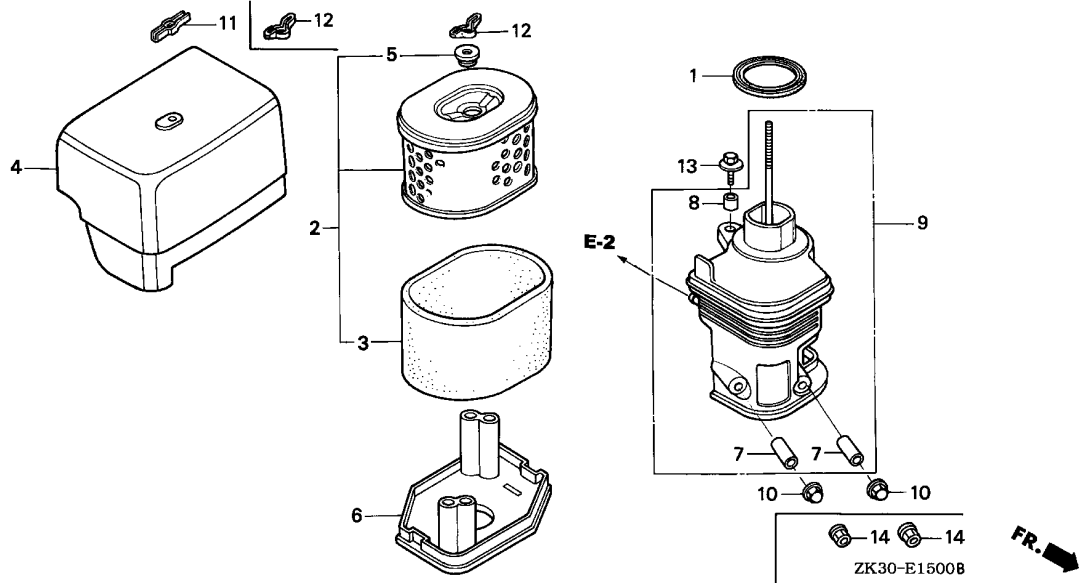




| Ref. No. | Part No. | Description | Reqd. QTY | | | Serial No. | Parts catalogue code |
|----------|---------------|-----------------------|-----------|-----|-----|------------|---|
| | | | GX | (1) | (2) | | |
| 8 | 17239-ZE1-000 | COLLAR B, AIR CLEANER | 1 | - | - | ----- | BJ,EDK,EDN5,EDN5/A,ED7,ED8,ED8/A,ED9,ED9/A,EN,ES,ES1,ES1/A,ES2,ET ETS,ETX,HA,HAQ,HA2,HA2/A,HH,HX,HX2,HX26,HX26/A,LH,LH/A,LHB1,LHB3 LHB3/A,LHB5,LHE,LHE/A,LHQ4,LHQ4/A,LJ,LJ/A,LJG,LJG/A,LJS1,LKE LKE/A,LSX,LWD,LX,LX/A,LXE,LXE/A,LXE2,LXE2/A,LXE4,LXE4/A,LXE6,LXE8 LXE8/A,LXQ4,LXQ4/A,LXU,LXU/A,LXZ,LX2,LX2/A,LX26,LX26/A,PKT2 PKT2/A,PKT4,PKT4/A,PKX2,PKX4,PKX4/A,PX,PX/A,PXE8,PXE8/A,QA,QAB2 QAB2/A,QAC2,QAC2/A,QAE,QAE2,QAE2/A,QAE6,QAE6/A,QAG,QAG/A,QA2 QA2/A,QAP,QAPE,QAP2,QAP2/A,QAQ,QA2,QA2/A,QA26,QA26/A,QE,QE/A,QH QH/A,QHB3,QHB3/A,QHB5,QHE,QHE/A,QHP1,QHP1/A,QHQ4,QHQ4/A,QH2,QKA4 QKA4/A,QL2,QMEO,QMEO/A,QME8,QME8/A,QMH,QMH/A,QMT2,QMT2/A,QMX2,QNE QNE2,QNE2/A,QNE6,QNE9,QNE9/A,QNR2,QNR2/A,QNR6,QNR6/A,QN18,QPE2 QTC2,QTC2/A,QX,QX/A,QXB,QXB/A,QXB7,QXB7/A,QXE,QXE/A,QXEB,QXE2 QXE4,QXE4/A,QXE6,QXE6/A,QXE8,QXE8/A,QXQ4,QXQ4/A,QXU,QXU/A,QX2,SDE SE,SE/A,SH,SH/A,SHB1,SHB3,SHB3/A,SHE,SHEZ,SHQ4,SHQ4/A,SJ,SJ/A,SJG SJG/A,SKE,SKE/A,SKZ,SKZ/A,SMEO,SMEO/A,SME2,SMX2,SMX2/A,STJ,STJ/A STP,STP/A,STQ,STQ/A,STR,STR/A,SX,SX/A,SBX,SBX/A,SBX7,SBX7/A,SXE SXE/A,SXEB,SXEB/A,SXE2,SXE4,SXE4/A,SXE8,SXE8/A,SXP,SXQ4,SXQ4/A SXU,SXU/A,VA,VAA,VAAE,VAD2,VAD2/A,VAH1,VAH2,VAW1,VA2,VA2/A,VDE VDE2,VDE2/A,VD16,VE,VEB6,VH,VHE,VH12,VH12/A,VH22,VH22/A,VMX,VNG VNG1,VNG2,VSH7,VWA,VWA2,VWC2,VWC2/A,VWE2,VWE2/A,VWS2,VWS2/A,VW12 VW12/A,VX,VX/A,VXA,VXB,VXB/A,VXB2,VXB7,VXB7/A,VXE,VXE/A,VXEB VXEB/A,VXE2,VXE2/A,VXE4,VXE6,VXE7,VXE7/A,VXE8,VXE8/A,VXG,VXK,VXQ4 VXQ4/A,VXU,VXU/A,VXU1,VXU1/A,VX16,VX16/A,VX8,VX8/A,YJ |
| | | | - | (1) | 1 | | |

| Ref. No. | Part No. | Description | Reqd. QTY | | | Serial No. | Parts catalogue code |
|----------|---------------|--|-----------|----------|-----|------------|---|
| | | | (1) | (2) | (3) | | |
| 9 | 17410-ZH9-N00 | ELBOW COMP., AIR CLEANER | 1 | - | - | | BJ,EDK,EDN5,EDN5/A,ED7,ED8,ED8/A,ED9,ED9/A,EN,ES,ES1,ES1/A,ES2,ETS,ETX,HA,HAQ,HA2,HA2/A,HH,HX,HX2,HX26,HX26/A,LH,LH/A,LHB1,LHB3,LHB3/A,LHB5,LHE,LHE/A,LHQ4,LHQ4/A,LJ,LJ/A,LJG,LJG/A,LJS1,LKE,LKE/A,LSX,LWD,LX,LX/A,LXE,LXE/A,LXE2,LXE2/A,LXE4,LXE4/A,LXE6,LXE8,LXE8/A,LXQ4,LXQ4/A,LXU,LXU/A,LXZ,LX2,LX2/A,LX26,LX26/A,PKT2,PKT2/A,PKT4,PKT4/A,PKX2,PKX4,PKX4/A,PX,PX/A,PXE8,PXE8/A,QA,QAB2,QAB2/A,QAC2,QAC2/A,QAE,QAE2,QAE2/A,QAE6,QAE6/A,QAG,QAG/A,QAQ2,QAQ2/A,QAQ,QA2,QA2/A,QA26,QA26/A,QE,QE/A,QH,QH/A,QHB3,QHB3/A,QHB5,QHE,QHE/A,QHP1,QHP1/A,QHQ4,QHQ4/A,QH2,QKA4,QKA4/A,QL2,QMEO,QMEO/A,QME8,QME8/A,QMH,QMH/A,QMT2,QMT2/A,QMX2,QNE,QNE2,QNE2/A,QNE6,QNE9,QNE9/A,QNR2,QNR2/A,QNR6,QNR6/A,QN18,QPE2,QTC2,QTC2/A,QX,QX/A,QXB,QXB/A,QXB7,QXB7/A,QXE,QXE/A,QXEB,QXE2,QXE4,QXE4/A,QXE6,QXE6/A,QXE8,QXE8/A,QXQ4,QXQ4/A,QXU,QXU/A,QX2,SDE,SE,SE/A,SH,SH/A,SHB1,SHB3,SHB3/A,SHE,SHEZ,SHQ4,SHQ4/A,SJ,SJ/A,SJG,SJG/A,SKE,SKE/A,SKZ,SKZ/A,SME0,SME0/A,SME2,SMX2,SMX2/A,STJ,STJ/A,STP,STP/A,STQ,STQ/A,STR,STR/A,SX,SX/A,SBX,SBX/A,SBX7,SBX7/A,SXE,SXE/A,SXEB,SXEB/A,SXE2,SXE4,SXE4/A,SXE8,SXE8/A,SXP,SXQ4,SXQ4/A,SXU,SXU/A,VA,VAA,VAAE,VAD2,VAD2/A,VAH1,VAH2,VAW1,VA2,VA2/A,VDE,VDE2,VDE2/A,VD16,VE,VEB6,VH,VHE,VH12,VH12/A,VH22,VH22/A,VMX,VNG,VNG1,VNG2,VSH7,VWA,VWA2,VWC2,VWC2/A,VWE2,VWE2/A,VWS2,VWS2/A,VW12,VW12/A,VX,VX/A,VXA,VXB,VXB/A,VXB2,VXB7,VXB7/A,VXE,VXE/A,VXEB,VXEB/A,VXE2,VXE2/A,VXE4,VXE6,VXE7,VXE7/A,VXE8,VXE8/A,VXG,VXK,VXQ4,VXQ4/A,VXU,VXU/A,VXU1,VXU1/A,VX16,VX16/A,VX8,VX8/A,YJ |
| 10 | 90201-415-000 | NUT, CAP, 6MM | 2 | (1) 2 | - | 2205632 | BJ,ED7,ED8,ED9,EN,ES,ES1,ET,ETS,ETX,HA,HH,HX,LH,LHE,LJ,LKE,LX,LXE,LXZ,L1,PX,P1,QA,QAE,QAP,QAPE,QE,QH,QHE,QNE,QX,QXB,QXE,QXEB,Q1,SE,SH,SHE,SHEZ,SJ,STJ,STP,STQ,SX,SBX,SXE,SXEB,SXP,S1,VA,VAA,VAAE,VAH1,VAH2,VE,VH,VHE,VNG,VNG1,VNG2,VWA,VX,VXA,VXB,VXE,VXEB,V1,YJ |
| | | | 2 | - | - | 2205608 | HAQ,QAQ,QNE9 |
| 11 | 90203-PB2-000 | NUT, AIR CLEANER COVER (DACRO COATING) | 1 | (1) | - | 2143835 | BJ,ED7,EN,ES,ES1,ET,ETS,ETX,HA,HH,HX,LH,LHE,LJ,LKE,LX,LXE,LXZ,L1,PX,P1,QA,QAE,QAP,QAPE,QE,QH,QHE,QNE,QX,QXB,QXE,QXEB,Q1,SE,SH,SHE,SHEZ,SJ,STJ,STP,STQ,SX,SBX,SXE,SXEB,SXP,S1,VA,VAA,VAAE,VAH1,VAH2,VE,VH,VHE,VNG,VNG1,VNG2,VX,VXA,VXB,VXE,VXEB,V1,YJ |
| | 90203-ZA0-800 | NUT, WING, 6MM(BLACK) | 1 | (1) | - | 2143836 | 2313587 BJ,ED7,EN,ES,ES1,ET,ETS,ETX,HA,HH,HX,LH,LHE,LJ,LKE,LX,LXE,LXZ,L1,PX,P1,QA,QAE,QAP,QAPE,QE,QH,QHE,QNE,QX,QXB,QXE,QXEB,Q1,SE,SH,SHE,SHEZ,SJ,STJ,STP,STQ,SX,SBX,SXE,SXEB,SXP,S1,VA,VAA,VAAE,VAH1,VAH2,VE,VH,VHE,VNG,VNG1,VNG2,VX,VXA,VXB,VXE,VXEB,V1,YJ |
| | | | 1 | - | - | | HA2,HA2/A,HX2,HX26,HX26/A,LX2,LX2/A,LX26,LX26/A,QAB2,QAB2/A,QAC2,QAC2/A,QAE2,QAE2/A,QAE6,QAE6/A,QAG,QAG/A,QAQ2,QAQ2/A,QA2,QA2/A,QA26,QA26/A,QH2,QNE2,QNE2/A,QPE2,QXE2,QXE6,QXE6/A,QX2,VA2,VA2/A,VWE2,VWE2/A,VXE2,VXE2/A |
| | | | 1 | - | - | 2313587 | ED8,ED9,VDE,VWA,VXG,VXU,VXU1 |
| | | | 1 | - | - | 2319648 | HAQ,QAQ,QNE9 |

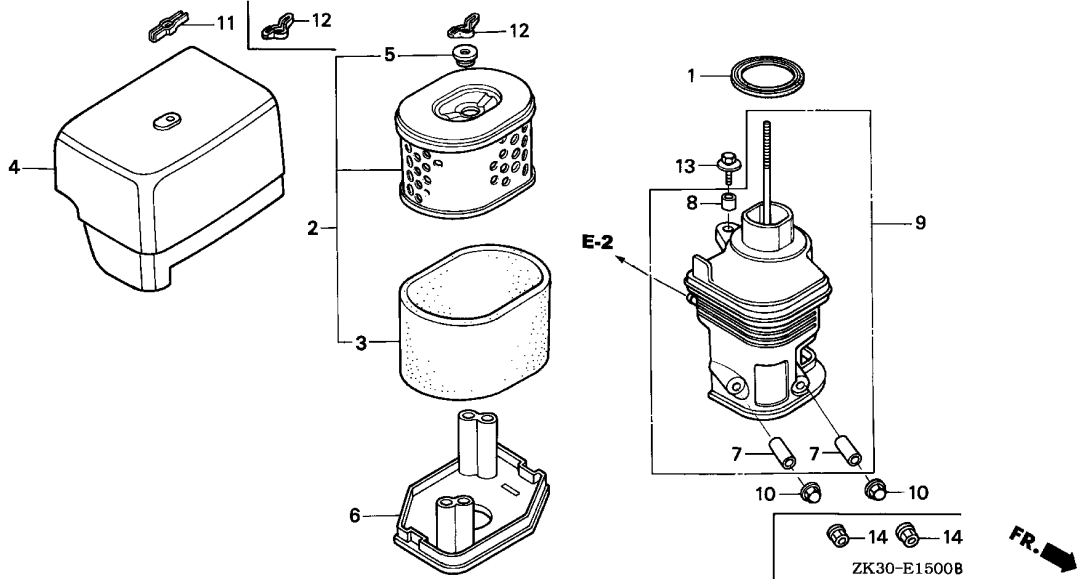




| Ref. No. | Part No. | Description | Reqd. QTY | | | Serial No. | Parts catalogue code |
|----------|---------------|-----------------------------|-----------|-----|-----|------------|---|
| | | | GX | (1) | (2) | | |
| 12 | 90325-044-000 | NUT, TOOL BOX SETTING | 1 | (1) | - | 2313587 | BJ,ED7,ED8,ED9,EN,ES,ES1,ET,ETS,ETX,HA,HH,HX,LH,LHE,LJ,LKE,LX,LXE,LXZ,L1,PX,P1,QA,QAE,QAP,QAPE,QE,QH,QHE,QNE,QX,QXB,QXE,QXEB,Q1,SE,SH,SHE,SHEZ,SJ,STJ,STP,STQ,SX,SXB,SXE,SXEB,SXP,S1,VA,VAA,VAAE,VAH1,VAH2,VDE,VE,VH,VHE,VNG,VNG1,VNG2,VWA,VX,VXA,VXB,VXE,VXEB,VXG,VXU,VXU1,V1,YJ |

| Ref. No. | Part No. | Description | Reqd. QTY | | | Serial No. | Parts catalogue code |
|----------|----------------|-----------------------------|-----------|-----|-----|------------|--|
| | | | (1) | (2) | (3) | | |
| 12) | 90325-044-000 | NUT, TOOL BOX SETTING | 1 | - | - | ----- | HA2,HA2/A,HX2,HX26,HX26/A,LX2,LX2/A,LX26,LX26/A,QAB2,QAB2/A,QAC2,QAC2/A,QAE2,QAE2/A,QAE6,QAE6/A,QAG,QAG/A,QA2,QA2/A,QAP2,QAP2/A,QA2,QA2/A,QA26,QA26/A,QH2,QNE2,QNE2/A,QPE2,QXE2,QXE6,QXE6/A,QX2,VA2,VA2/A,VWE2,VWE2/A,VXE2,VXE2/A |
| | | | 1 | - | - | 2319648 | HAQ,QAQ,QNE9 |
| | | | 2 | - | - | ----- | ES2 |
| | | | 2 | (2) | - | ----- | EDK,EDN5,EDN5/A,ED8/A,ED9/A,ES1/A,ES2,LH/A,LHB1,LHB3,LHB3/A,LHB5,LHE/A,LHQ4,LHQ4/A,LJ/A,LJG,LJG/A,LJS1,LKE/A,LSX,LWD,LX/A,LXE/A,LXE2,LXE2/A,LXE4,LXE4/A,LXE6,LXE8,LXE8/A,LXQ4,LXQ4/A,LXU,LXU/A,L1/A,PKT2,PKT2/A,PKT4,PKT4/A,PKX2,PKX4,PKX4/A,PX/A,PXE8,PXE8/A,P1/A,QE/A,QH/A,QHB3,QHB3/A,QHB5,QHE/A,QHP1,QHP1/A,QHQ4,QHQ4/A,QKA4,QKA4/A,QL2,QMEO,QMEO/A,QME8,QME8/A,QMH,QMH/A,QMT2,QMT2/A,QMX2,QNE6,QNE9/A,QNR2,QNR2/A,QNR6,QNR6/A,QN18,QTC2,QTC2/A,QX/A,QXB/A,QXB7,QXB7/A,QXE/A,QXE4,QXE4/A,QXE8,QXE8/A,QXQ4,QXQ4/A,QXU,QXU/A,Q1/A,SDE,SE/A,SH/A,SHB1,SHB3,SHB3/A,SHQ4,SHQ4/A,SJ/A,SJG,SJG/A,SKE,SKE/A,SKZ,SKZ/A,SMEO,SMEO/A,SMX2,SMX2/A,STJ/A,STP/A,STQ/A,STR,STR/A,SX/A,SXB/A,SXB7,SXB7/A,SXE/A,SXEB/A,SXE4,SXE4/A,SXE8,SXE8/A,SXQ4,SXQ4/A,SXU,SXU/A,S1/A,VAD2,VAD2/A,VAW1,VDE2,VDE2/A,VD16,VEB6,VH12,VH12/A,VH22,VH22/A,VMX,VSH7,VWC2,VWC2/A,VWS2,VWS2/A,VW12,VW12/A,VX/A,VXB/A,VXB2,VXB7,VXB7/A,VXE/A,VXEB/A,VXE4,VXE6,VXE7,VXE7/A,VXE8,VXE8/A,VXK,VXQ4,VXQ4/A,VXU/A,VXU1/A,VX16,VX16/A,VX8,VX8/A |
| | | | 2 | (2) | - | 2313588 | BJ,ED7,ED8,ED9,EN,ES,ES1,ET,ETS,ETX,HA,HH,HX,LH,LHE,LJ,LKE,LX,LXE,LXZ,L1,PX,P1,QA,QAE,QAP,QAPE,QE,QH,QHE,QNE,QX,QXB,QXE,QXEB,Q1,SE,SH,SHE,SHEZ,SJ,STJ,STP,STQ,SX,SXB,SXE,SXEB,SXP,S1,VA,VAA,VAE,VAH1,VAH2,VDE,VE,VH,VHE,VNG,VNG1,VNG2,VVA,VX,VXA,VXB,VXE,VXEB,VXG,VXU,VXU1,V1,YJ |
| | | | 2 | - | - | 2319649 | HAQ,QAQ,QNE9 |
| | | | - | - | 2 | ----- | |
| 13 | 93494-06020-08 | BOLT-WASHER, 6X20 | 1 | (1) | - | ----- | BJ,ED7,ES,ES1,ES1/A,HH,HX,LH,LH/A,LHE,LHE/A,LJ,LJ/A,LXE,LXE/A,LXE8,LXE8/A,LXU,LXU/A,LXZ,L1,L1/A,PX,PX/A,QA,QAE,QAP,QE,QE/A,QH,QH/A,QHE,QHE/A,QNE,QNE9,QNE9/A,QX,QX/A,QXB,QXB/A,QXE,QXE/A,QXEB,QXE8,QXE8/A,QXU,QXU/A,Q1,Q1/A,SE,SE/A,SH,SH/A,SHE,SHEZ,SJ,SJ/A,STP,STP/A,STQ,STQ/A,SX,SX/A,SXB,SXB/A,SXE,SXE/A,SXEB,SXEB/A,SXE8,SXE8/A,SXP,SXU,SXU/A,S1,S1/A,VA,VAA,VAE,VAH1,VAH2,VE,VH,VHE,VNG,VNG1,VNG2,VX,VX/A,VXA,VXB,VXB/A,VXEB,VXEB/A,V1,YJ |
| | 93404-06020-08 | | 1 | (1) | - | ----- | EN,ET,ETS,ETX,HA,HAQ,HX2,LHB1,LSX,LXE6,P1,P1/A,QAPE,QAQ,QH2,QMX2,QNE6,QN18,QPE2,QXE2,QX2,SDE,SME2,SXE2,VAW1,VDE,VD16,VEB6,VMX,VWA,VWA2,VXB2,VXE4,VXE6,VXG |
| | 90009-ZE2-003 | BOLT-WASHER, 6X22 | 1 | - | - | ----- | EDK,EDN5,EDN5/A,ED8,ED8/A,ED9,ED9/A,ES2,HA2,HA2/A,HX26/A,LHB3,LHB3/A,LHB5,LHQ4,LHQ4/A,LJG,LJG/A,LJS1,LKE,LKE/A,LWD,LX,LX/A,LXE2,LXE2/A,LXE4,LXE4/A,LXQ4,LXQ4/A,LX2,LX2/A,LX26,LX26/A,PKT2,PKT2/A,PKT4,PKT4/A,PKX2,PKX4,PKX4/A,PXE8,PXE8/A,QAB2,QAB2/A,QAC2,QAC2/A,QAE2,QAE2/A,QAE6,QAE6/A,QAG,QAG/A,QA2,QA2/A,QAP2,QAP2/A,QA2,QA2/A,QA26,QA26/A,QHB3,QHB3/A,QHB5,QHP1,QHP1/A,QHQ4,QHQ4/A,QKA4,QKA4/A,QL2,QMEO,QMEO/A,QME8,QME8/A,QMH,QMH/A,QMT2,QMT2/A,QNE2,QNE2/A,QNE9,QNE9/A,QNR2,QNR2/A,QNR6,QNR6/A,QTC2,QTC2/A,QXB7,QXB7/A,QXE4,QXE4/A,QXE6,QXE6/A,QXQ4,QXQ4/A,SHB1,SHB3,SHB3/A,SHQ4,SHQ4/A,SJG,SJG/A,SKE,SKE/A,SKZ,SKZ/A,SMEO,SMEO/A,SMX2,SMX2/A,STJ,STJ/A,STR,STR/A,SXB7,SXB7/A,SXE4,SXE4/A,SXQ4,SXQ4/A,VAD2,VAD2/A,VA2,VA2/A,VDE2,VDE2/A,VH12,VH12/A,VH22,VH22/A,VSH7,VWC2,VWC2/A,VWE2,VWE2/A,VWS2,VWS2/A,VW12,VW12/A,VXB7,VXB7/A,VXE,VXE/A,VXE2,VXE2/A,VXE7,VXE7/A,VXE8,VXE8/A,VXK,VXQ4,VXQ4/A,VXU,VXU/A,VXU1,VXU1/A,VX16,VX16/A,VX8,VX8/A |
| | | | - | - | 1 | ----- | |



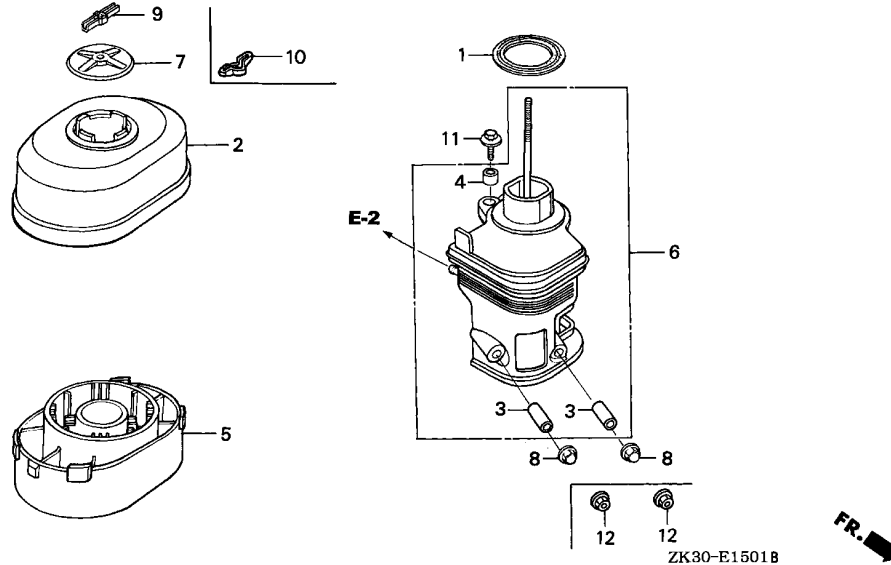


| Ref. No. | Part No. | Description | Reqd. QTY | | | Serial No. | Parts catalogue code | | | |
|----------|-------------|------------------------|-----------|-----|-----|---|---|-----|--|--|
| | | | GX | (1) | (2) | | | (3) | | |
| 14 | 94050-06000 | NUT, FLANGE, 6MM | 2 | 2 | - | EDK,EDN5,EDN5/A,ED8/A,ED9/A,ENT2,ES1/A,ES2,HA2,HA2/A,HX2,HX26 HX26/A,LH/A,LHB1,LHB3,LHB3/A,LHB5,LHE/A,LHQ4,LHQ4/A,LJ/A,LJG LJG/A,LJS1,LKE/A,LSX,LWD,LX/A,LXE/A,LXE2,LXE2/A,LXE4,LXE4/A,LXE6 LXE8,LXE8/A,LXQ4,LXQ4/A,LXU,LXU/A,LX2,LX2/A,LX26,LX26/A,L1/A,PKT2 PKT2/A,PKT4,PKT4/A,PKX2,PKX4,PKX4/A,PX/A,PXE8,PXE8/A,P1/A,QAB2 QAB2/A,QAC2,QAC2/A,QAE2,QAE2/A,QAE6,QAE6/A,QAG,QAG/A,QA2,QA2/A QAP2,QAP2/A,QA2,QA2/A,QA26,QA26/A,QE/A,QH/A,QHB3,QHB3/A,QHB5 QHE/A,QHP1,QHP1/A,QHQ4,QHQ4/A,QH2,QKA4,QKA4/A,QL2,QME0,QME0/A QME8,QME8/A,QMH,QMH/A,QMT2,QMT2/A,QMX2,QNE2,QNE2/A,QNE6,QNE9/A QNR2,QNR2/A,QNR6,QNR6/A,QN18,QPE2,QTC2,QTC2/A,QX/A,QXB/A,QXB7 QXB7/A,QXE/A,QXE2,QXE4,QXE4/A,QXE6,QXE6/A,QXE8,QXE8/A,QXQ4,QXQ4/A QXU,QXU/A,QX2,Q1/A,SDE,SE/A,SH/A,SHB1,SHB3,SHB3/A,SHQ4,SHQ4/A SJ/A,SJG,SJG/A,SKE,SKE/A,SKZ,SKZ/A,SME0,SME0/A,SME2,SMX2,SMX2/A STJ/A,STP/A,STQ/A,STR,STR/A,SX/A,SXB/A,SXB7,SXB7/A,SXE/A,SXEB/A SX2,SXE4,SXE4/A,SXE8,SXE8/A,SXQ4,SXQ4/A,SXU,SXU/A,S1/A,VAD2 VAD2/A,VAW1,VA2,VA2/A,VDE,VDE2,VDE2/A,VD16,VEB6,VH12,VH12/A,VH22 VH22/A,VMX,VSH7,VWA2,VWC2,VWC2/A,VWE2,VWE2/A,VWS2,VWS2/A,VW12 VW12/A,VX/A,VXB/A,VXB2,VXB7,VXB7/A,VXE/A,VXEB/A,VXE2,VXE2/A,VXE4 VXE6,VXE7,VXE7/A,VXE8,VXE8/A,VXG,VXK,VXQ4,VXQ4/A,VXU,VXU/A,VXU1 VXU1/A,VX16,VX16/A,VX8,VX8/A,ZK1,ZK1/A | | | | |
| | | | 2 | 2 | - | 2205633 ----- | BJ,ED7,ED8,ED9,EN,ES,ES1,ET,ETS,ETX,HA,HH,HX,LH,LHE,LJ,LKE,LX,LXE LXZ,L1,PX,P1,QA,QAE,QAP,QAPE,QE,QH,QHE,QNE,QX,QXB,QXE,QXEB,Q1,SE SH,SHE,SHEZ,SJ,STJ,STP,STQ,SX,SXB,SXE,SXEB,SXP,S1,VA,VAA,VAAE VAH1,VAH2,VE,VH,VHE,VNG,VNG1,VNG2,VWA,VX,VXA,VXB,VXE,VXEB,V1,YJ | | | |
| | | | 2 | - | - | 2205609 ----- | HAQ,QAQ,QNE9 | | | |
| | | | - | - | 2 | | | | | |

E-15-1

AIR CLEANER(2)

N15



| Ref. No. | L.O.N. | (Relative ref. Number) Description | F.R.T. |
|----------|--------|------------------------------------|--------|
| 1 | 3121E1 | PACKING, ELBOW | 0.1 |
| 5 | 3121E5 | PAN, AIR CLEANER OIL | 0.1 |
| 6 | 3121B4 | ELBOW, AIR CLEANER | 0.1 |

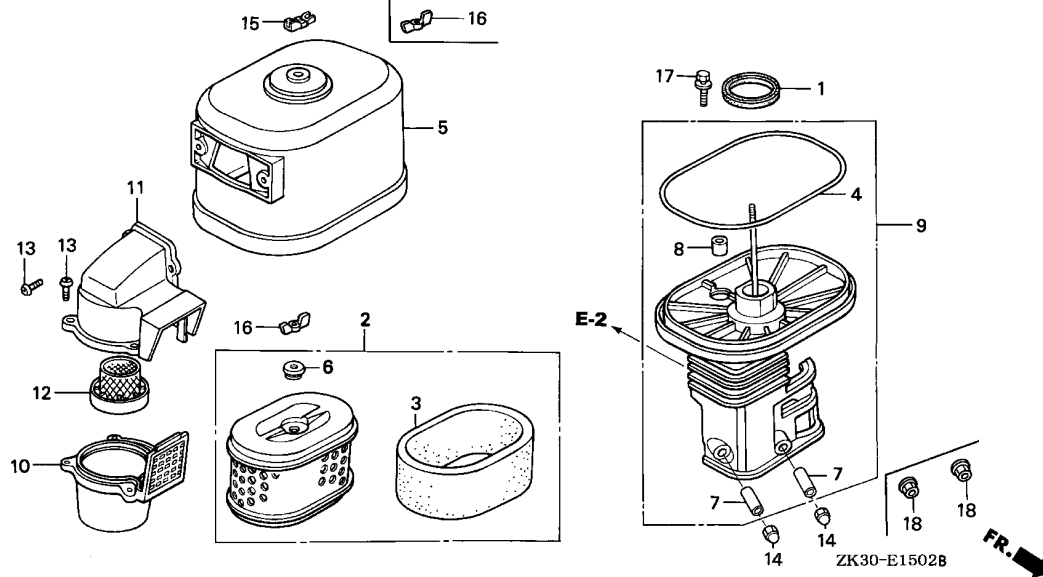
| Ref. No. | Part No. | Description | Reqd. QTY | | | Serial No. | Parts catalogue code |
|----------|----------------|--|-----------|-------|-----|---|----------------------|
| | | | GX | 340K1 | (3) | | |
| 1 | 16271-ZE2-010 | PACKING, ELBOW | 1 | - | - | LHW,LJS,LJS/A,LT,LT/A,QP,QP/A,QT,QT/A,SWX,SWX/A | |
| 2 | 17230-ZE3-811 | COVER COMP., AIR CLEANER (OIL BATH) | 1 | - | - | LHW,LJS,LJS/A,LT,LT/A,QP,QP/A,QT,QT/A,SWX,SWX/A | |
| 3 | 17238-ZE2-310 | COLLAR, AIR CLEANER | 2 | - | - | LHW,LJS,LJS/A,LT,LT/A,QP,QP/A,QT,QT/A,SWX,SWX/A | |
| 4 | 17239-ZE1-000 | COLLAR B, AIR CLEANER | 1 | - | - | LHW,LJS,LJS/A,LT,LT/A,QP,QP/A,QT,QT/A,SWX,SWX/A | |
| 5 | 17402-ZE3-810 | PAN, CLEANER OIL (OIL BATH) .. | 1 | - | - | LHW,LJS,LJS/A,LT,LT/A,QP,QP/A,QT,QT/A,SWX,SWX/A | |
| 6 | 17410-ZE3-010 | ELBOW COMP., AIR CLEANER | 1 | - | - | LHW,LJS,LJS/A,LT,LT/A,QP,QP/A,QT,QT/A,SWX,SWX/A | |
| 7 | 17420-ZE3-810 | CAP COMP., AIR CLEANER | 1 | - | - | LHW,LJS,LJS/A,LT,LT/A,QP,QP/A,QT,QT/A,SWX,SWX/A | |
| 8 | 90201-415-000 | NUT, CAP, 6MM | 2 | (2) | - | 2205632 L1,P1,QP,QT,Q1,SWX,S1,V1 | |
| 9 | 90203-PB2-000 | NUT, AIR CLEANER COVER (DACRO COATING) | 1 | (1) | - | 2143835 L1,P1,QP,QT,Q1,SWX,S1,V1 | |
| | 90203-ZA0-800 | NUT, WING, 6MM(BLACK) | 1 | (1) | - | 2143836 2313587 L1,QP,QT,SWX,S1 | |
| | | | - | (1) | - | P1/A,Q1/A | |
| | | | - | (1) | - | 2143836 P1,Q1,V1 | |
| 10 | 90325-044-000 | NUT, TOOL BOX SETTING | 1 | (1) | - | LHW,LJS,LJS/A,LT,LT/A,L1/A,QP/A,QT/A,SWX/A,S1/A | |
| | | | 1 | (1) | - | 2313588 L1,QP,QT,SWX,S1 | |
| 11 | 93494-06020-08 | BOLT-WASHER, 6X20 | 1 | (1) | - | L1,L1/A,QP,QP/A,QT,QT/A,Q1,Q1/A,SWX,SWX/A,S1,S1/A,V1 | |
| | 93404-06020-08 | | 1 | (1) | - | LHW,P1,P1/A | |
| | 90009-ZE2-003 | BOLT-WASHER, 6X22 | 1 | - | - | LJS,LJS/A,LT,LT/A | |
| 12 | 94050-06000 | NUT, FLANGE, 6MM | 2 | (2) | - | LHW,LJS,LJS/A,LT,LT/A,L1/A,P1/A,QP/A,QT/A,Q1/A,SWX/A,S1/A | |
| | | | 2 | (2) | - | 2205633 L1,P1,QP,QT,Q1,SWX,S1,V1 | |



E-15-2

AIR CLEANER(3)

N16



| Ref. No. | L.O.N. | (Relative ref. Number) Description | F.R.T. |
|----------|--------|---------------------------------------|--------|
| 1 | 3121E1 | PACKING, ELBOW | 0.1 |
| 2 | 3121B8 | ELEMENT, AIR CLEANER | 0.1 |
| | | .INCLUDES: Air cleaner- inspection | |
| 3 | 3121C1 | FILTER, OUTER | 0.1 |
| 4 | 3121E0 | PACKING, AIR CLEANER COVER ... | 0.1 |
| 9 | 3121B4 | ELBOW, AIR CLEANER | 0.1 |
| 10 | 3121A6 | CASE, PRE AIR CLEANER | 0.1 |
| 11 | 3121A4 | CAP, PRE AIR CLEANER | 0.1 |
| 12 | 3121C8 | GUIDE, PRE AIR CLEANER | 0.1 |

| Ref. No. | Part No. | Description | Reqd. QTY | | | Serial No. | Parts catalogue code |
|----------|---------------|---------------------------------------|-----------|-----|-----|---|----------------------|
| | | | GX | (1) | (2) | | |
| 1 | 16271-ZE2-010 | PACKING, ELBOW | 1 | - | - | LHC,QDW9,QDW9/A,QHC,QWH2,QWH2/A,QXC,QXC/A,QXC4,QXC4/A,QXC6,QXC6/A,QXC9,QXC9/A,SHT | |
| 2 | 17210-ZE3-010 | ELEMENT, AIR CLEANER | 1 | (1) | - | LHC,QDW9,QDW9/A,QHC,QWH2,QWH2/A,QXC,QXC/A,QXC4,QXC4/A,QXC6,QXC6/A,QXC9,QXC9/A,SHT | |
| 3 | 17218-ZE3-000 | FILTER, OUTER | 1 | (1) | - | LHC,QDW9,QDW9/A,QHC,QWH2,QWH2/A,QXC,QXC/A,QXC4,QXC4/A,QXC6,QXC6/A,QXC9,QXC9/A,SHT | |
| 4 | 17219-ZE3-840 | PACKING, AIR CLEANER COVER .. | 1 | (1) | - | LHC,QDW9,QDW9/A,QHC,QWH2,QWH2/A,QXC,QXC/A,QXC4,QXC4/A,QXC6,QXC6/A,QXC9,QXC9/A,SHT | |
| 5 | 17230-ZE3-841 | COVER COMP., AIR CLEANER (CYCLONE) | 1 | (1) | - | LHC,QDW9,QDW9/A,QHC,QWH2,QWH2/A,QXC,QXC/A,QXC4,QXC4/A,QXC6,QXC6/A,QXC9,QXC9/A,SHT | |
| 6 | 17232-891-000 | GROMMET, AIR CLEANER | 1 | (1) | - | LHC,QDW9,QDW9/A,QHC,QWH2,QWH2/A,QXC,QXC/A,QXC4,QXC4/A,QXC6,QXC6/A,QXC9,QXC9/A,SHT | |
| 7 | 17238-ZE2-310 | COLLAR, AIR CLEANER | 2 | (1) | - | LHC,QDW9,QDW9/A,QHC,QWH2,QWH2/A,QXC,QXC/A,QXC4,QXC4/A,QXC6,QXC6/A,QXC9,QXC9/A,SHT | |
| 8 | 17239-ZE3-840 | COLLAR B, AIR CLEANER | 1 | (2) | - | LHC,QDW9,QDW9/A,QHC,QWH2,QWH2/A,QXC,QXC/A,QXC4,QXC4/A,QXC6,QXC6/A,QXC9,QXC9/A,SHT | |
| 9 | 17410-ZE3-840 | ELBOW COMP., AIR CLEANER | 1 | (1) | - | LHC,QDW9,QDW9/A,QHC,QWH2,QWH2/A,QXC,QXC/A,QXC4,QXC4/A,QXC6,QXC6/A,QXC9,QXC9/A,SHT | |

2

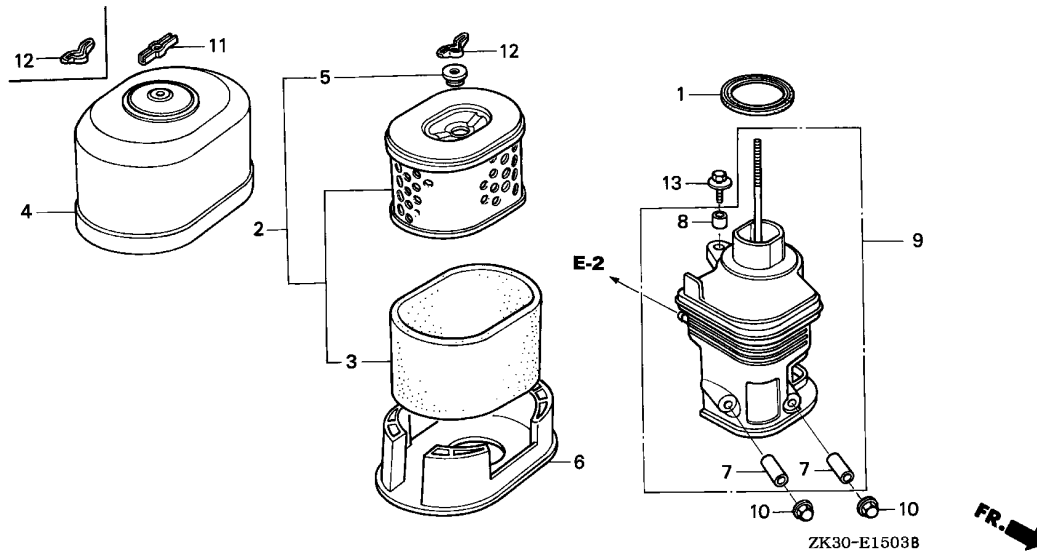
| Ref. No. | Part No. | Description | Reqd. QTY | | | Serial No. | Parts catalogue code |
|----------|----------------|--|-----------|-----|-----|---|----------------------|
| | | | (1) | (2) | (3) | | |
| 10 | 17470-ZE3-841 | CASE COMP., PRE AIR CLEANER | 1 | (1) | - | LHC,L1,P1,QDW9,QHC,QWH2,QXC,QXC4,QXC6,QXC9,Q1,SHT,S1,V1 | |
| | 17470-ZE3-842 | | 1 | (1) | - | L1/A,P1/A,QDW9/A,QWH2/A,QXC/A,QXC4/A,QXC6/A,QXC9/A,Q1/A,S1/A | |
| 11 | 17475-ZE3-841 | CAP, PRE AIR CLEANER | 1 | - | - | LHC,QDW9,QDW9/A,QHC,QWH2,QWH2/A,QXC,QXC/A,QXC4,QXC4/A,QXC6,QXC6/A,QXC9,QXC9/A,SHT | |
| 12 | 17476-ZE3-841 | GUIDE, PRE AIR CLEANER | 1 | (1) | - | LHC,QDW9,QDW9/A,QHC,QWH2,QWH2/A,QXC,QXC/A,QXC4,QXC4/A,QXC6,QXC6/A,QXC9,QXC9/A,SHT | |
| 13 | 90142-MB0-000 | SCREW, PAN, 5X16.5 | 5 | (1) | - | LHC,QDW9,QDW9/A,QHC,QWH2,QWH2/A,QXC,QXC/A,QXC4,QXC4/A,QXC6,QXC6/A,QXC9,QXC9/A,SHT | |
| 14 | 90201-415-000 | NUT, CAP, 6MM | 2 | (5) | - | 2205632 LHC,L1,P1,QHC,QXC,Q1,S1,V1 | |
| 15 | 90203-PB2-000 | NUT, AIR CLEANER COVER (DACRO COATING) | 1 | (1) | - | 2143835 LHC,L1,P1,QHC,Q1,S1,V1 | |
| | | | 1 | - | - | 2147715 QXC | |
| | 90203-ZA0-800 | NUT, WING, 6MM(BLACK) | 1 | - | - | 2313587 SHT | |
| | | | 1 | - | - | 2143836 2313587 LHC,QHC | |
| | | | 1 | - | - | 2147716 2313587 QXC | |
| | | | - | (1) | - | L1/A,P1/A,Q1/A,S1/A | |
| | | | - | (1) | - | 2143836 L1,P1,Q1,S1,V1 | |
| 16 | 90325-044-000 | NUT, TOOL BOX SETTING | 1 | - | - | 2313587 LHC,QHC,QXC,SHT | |
| | | | - | (1) | - | | |
| | | | 2 | - | - | QDW9,QDW9/A,QWH2,QWH2/A,QXC/A,QXC4,QXC4/A,QXC6,QXC6/A,QXC9,QXC9/A | |
| | | | 2 | - | - | 2313588 LHC,QHC,QXC,SHT | |
| 17 | 93494-06020-08 | BOLT-WASHER, 6X20 | 1 | 1 | - | LHC,L1,L1/A,QHC,QXC,QXC/A,Q1,Q1/A,S1,S1/A,V1 | |
| | 93404-06020-08 | | 1 | 1 | - | P1,P1/A,SHT | |
| | 90009-ZE2-003 | BOLT-WASHER, 6X22 | 1 | - | - | QDW9,QDW9/A,QWH2,QWH2/A,QXC4,QXC4/A,QXC6,QXC6/A,QXC9,QXC9/A | |
| 18 | 94050-06000 | NUT, FLANGE, 6MM | 2 | 2 | - | L1/A,P1/A,QDW9,QDW9/A,QWH2,QWH2/A,QXC/A,QXC4,QXC4/A,QXC6,QXC6/A,QXC9,QXC9/A,Q1/A,SHT,S1/A | |
| | | | 2 | 2 | - | 2205633 LHC,L1,P1,QHC,QXC,Q1,S1,V1 | |



E-15-3

AIR CLEANER(4)

2-B 2



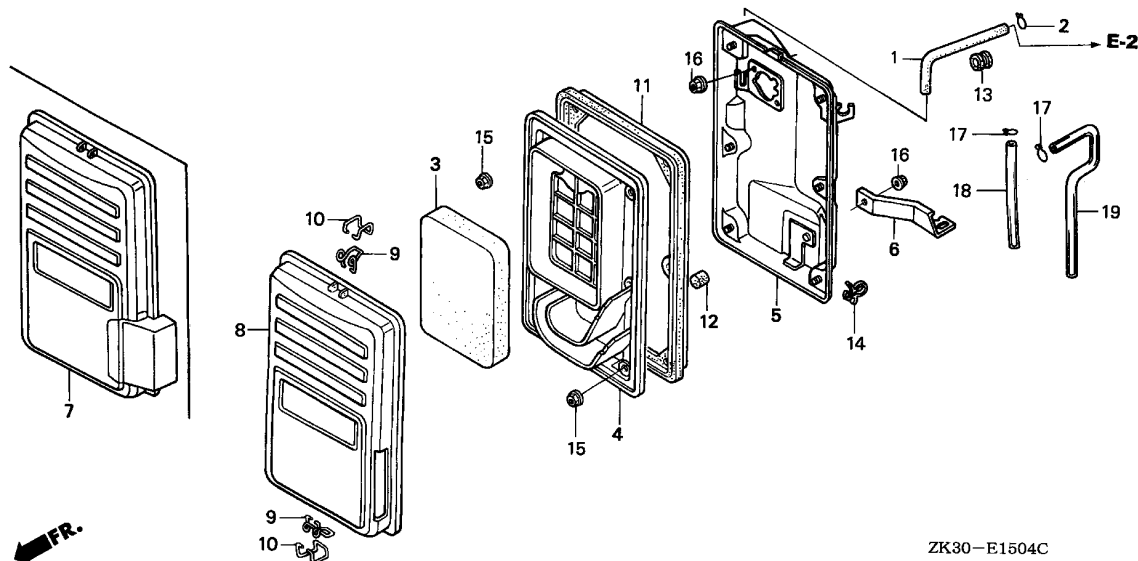
| Ref. No. | L.O.N. | (Relative ref. Number) Description | F.R.T. |
|---------------------------------------|--------|------------------------------------|--------|
| 1 | 3121E1 | PACKING, ELBOW | 0.1 |
| 2 | 3121B8 | ELEMENT, AIR CLEANER | 0.1 |
| .INCLUDES: Air cleaner- inspection | | | |
| 3 | 3121C1 | FILTER, OUTER | 0.1 |
| 6 | 3121D6 | NOSE, SILENCER | 0.1 |
| 9 | 3121B4 | ELBOW, AIR CLEANER | 0.1 |

| Ref. No. | Part No. | Description | Reqd. QTY | | | Serial No. | Parts catalogue code |
|----------|----------------|---|--------------------|-----|-----|--|----------------------|
| | | | GX 340K1 (1) | (2) | (3) | | |
| 1 | 16271-ZE2-010 | PACKING, ELBOW | 1 | - | - | ----- PXA2 | |
| 2 | 17210-ZE3-010 | ELEMENT, AIR CLEANER | 1 | (1) | - | ----- L1,L1/A,PXA2,P1,P1/A,Q1,Q1/A,S1,S1/A | |
| 3 | 17218-ZE3-000 | FILTER, OUTER | 1 | - | - | ----- PXA2 | |
| 4 | 17230-ZE3-000 | COVER, AIR CLEANER (STD.) ... | 1 | - | - | ----- PXA2 | |
| 5 | 17232-891-000 | GROMMET, AIR CLEANER | 1 | - | - | ----- PXA2 | |
| 6 | 17235-ZE3-000 | NOSE, SILENCER | 1 | - | - | ----- PXA2 | |
| 7 | 17238-ZE2-310 | COLLAR, AIR CLEANER | 2 | - | - | ----- PXA2 | |
| 8 | 17239-ZE1-000 | COLLAR B, AIR CLEANER | 1 | - | - | ----- PXA2 | |
| 9 | 17410-ZE3-010 | ELBOW COMP., AIR CLEANER | 1 | - | - | ----- PXA2 | |
| 10 | 90201-415-000 | NUT, CAP, 6MM | - | (2) | - | ----- 2205632 L1,P1,Q1,S1,V1 | |
| | 94050-06000 | NUT, FLANGE, 6MM | - | (2) | - | ----- L1/A,PXA2,P1/A,Q1/A,S1/A | |
| | | | - | (2) | - | 2205633 ----- L1,P1,Q1,S1,V1 | |
| 11 | 90203-PB2-000 | NUT, AIR CLEANER COVER (DACRO COATING) | - | (1) | - | ----- 2143835 L1,P1,Q1,S1,V1 | |
| | 90203-ZA0-800 | NUT, WING, 6MM(BLACK) | - | (1) | - | 2143836 ----- L1,P1,Q1,S1,V1 | |
| 12 | 90325-044-000 | NUT, TOOL BOX SETTING | - | (1) | - | ----- 2313587 L1,P1,Q1,S1,V1 | |
| | | | 2 | (2) | - | ----- L1/A,PXA2,P1/A,Q1/A,S1/A | |
| | | | - | (2) | - | 2313588 ----- L1,P1,Q1,S1,V1 | |
| 13 | 90009-ZE2-003 | BOLT-WASHER, 6X22 | (1) | - | - | ----- PXA2 | |
| | 93494-06020-08 | BOLT-WASHER, 6X20 | - | (1) | - | ----- | |

E-15-4

AIR CLEANER(5)

2-B 3

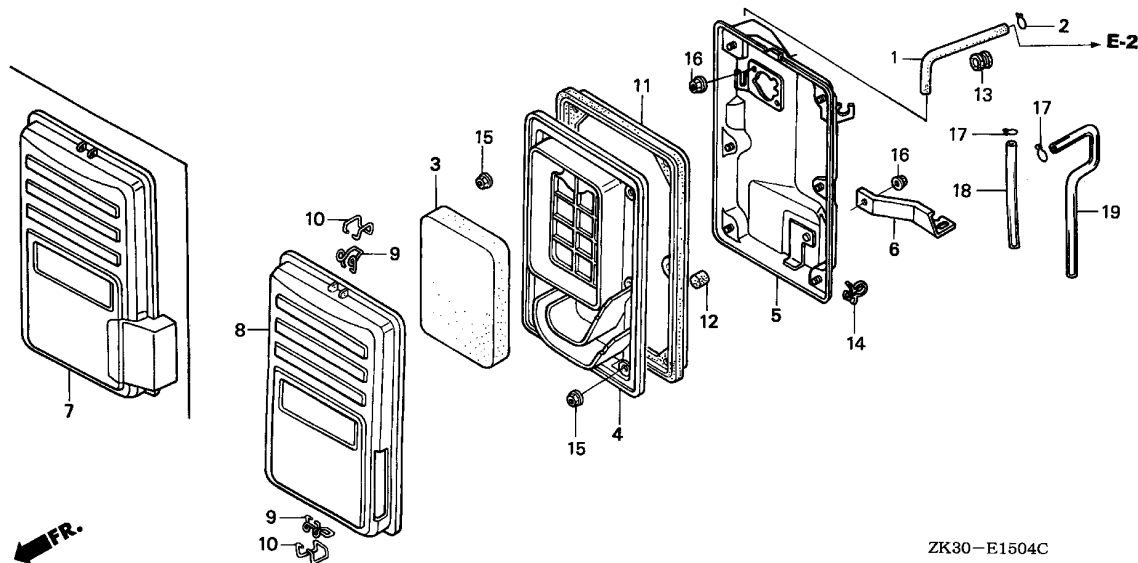


| Ref. No. | L.O.N. | (Relative ref. Number) Description | F.R.T. |
|----------|--------|---|--------|
| 3 | 3121B8 | ELEMENT, AIR CLEANERINCLUDES: Air cleaner- inspection | 0.1 |
| 4 | 3121F0 | SEPARATOR, AIR CLEANER (1) | 0.1 |
| 5 | 3121A5 | CASE, AIR CLEANER | 0.2 |
| 11 | 3121E8 | SEAL, AIR CLEANER CASE | 0.1 |

ZK30-E1504C

| Ref. No. | Part No. | Description | Reqd. QTY | | | Serial No. | Parts catalogue code |
|----------|---------------|--------------------------------|--------------------|-----|-----|------------|---|
| | | | GX 340K1 (1) | (2) | (3) | | |
| 1 | 15721-ZB4-000 | TUBE, BREATHER | 1 | - | - | ----- | EDE2,EDE2/A,EDN,EDN2,EDN2/A,EDS,EDS1,EDS1/A,EDS2,EDS2/A,EDS3,EDS4 EDS6,EDS6/A,EDT,EDT/A,EDT1,EDT1/A,EDT2,EDT3,EDT6,EDT6/A,ED6,ED6/A EMT,EMT/A,ENT,ENT/A,ENT2,EN6,EN6/A,ES3,ES3/A,ES4,ES4/A,VC2,VC2/A VMQ,VMT,VMT/A,VS2,VS3,VS4,VS5,VS6,VS7,VTE2,VVC,VVE |
| | 15721-ZB7-000 | | 1 | - | - | ----- | EDS5 |
| 2 | 15772-292-010 | CLIP, BREATHER TUBE | 1 | - | - | ----- | EDS5 |
| 3 | 17211-899-000 | ELEMENT, AIR CLEANER | 1 | - | - | ----- | EDE2,EDE2/A,EDN,EDN2,EDN2/A,EDS,EDS1,EDS1/A,EDS2,EDS2/A,EDS3,EDS4 EDS5,EDS6,EDS6/A,EDT,EDT/A,EDT1,EDT1/A,EDT2,EDT3,EDT6,EDT6/A,ED6 ED6/A,EMT,EMT/A,ENT,ENT/A,ENT2,EN6,EN6/A,ES3,ES3/A,ES4,ES4/A,VC2 VC2/A,VMQ,VMT,VMT/A,VS2,VS3,VS4,VS5,VS6,VS7,VTE2,VVC,VVE |
| 4 | 17212-ZB4-003 | SEPARATOR, AIR CLEANER | 1 | - | - | ----- | EDE2,EDE2/A,EDN,EDN2,EDN2/A,EDS,EDS1,EDS1/A,EDS2,EDS2/A,EDS3,EDS4 EDS5,EDS6,EDS6/A,EDT,EDT/A,EDT1,EDT1/A,EDT2,EDT3,EDT6,EDT6/A,ED6 ED6/A,EMT,EMT/A,ENT,ENT/A,ENT2,EN6,EN6/A,ES3,ES3/A,ES4,ES4/A,VC2 VC2/A,VMQ,VMT,VMT/A,VS2,VS3,VS4,VS5,VS6,VS7,VTE2,VVC,VVE |
| 5 | 17220-ZB4-003 | CASE COMP., AIR CLEANER | 1 | - | - | ----- | EDE2,EDE2/A,EDN,EDN2,EDN2/A,EDS,EDS1,EDS1/A,EDS2,EDS2/A,EDS3,EDS4 EDS6,EDS6/A,EDT,EDT/A,EDT1,EDT1/A,EDT2,EDT3,EDT6,EDT6/A,ED6,ED6/A EMT,EMT/A,ENT,ENT/A,ENT2,EN6,EN6/A,ES3,ES3/A,ES4,ES4/A,VC2,VC2/A VMQ,VMT,VMT/A,VS2,VS3,VS4,VS5,VS6,VS7,VTE2,VVC,VVE |
| | 17220-ZB7-000 | | 1 | - | - | ----- | EDS5 |
| 6 | 17222-ZC2-000 | STAY, AIR CLEANER | 1 | - | - | ----- | EDE2,EDE2/A,EDN,EDN2,EDN2/A,EDS,EDS1,EDS1/A,EDS2,EDS2/A,EDS3,EDS4 EDS6,EDS6/A,EDT,EDT/A,EDT1,EDT1/A,EDT2,EDT3,EDT6,EDT6/A,ED6,ED6/A EMT,EMT/A,ENT,ENT/A,ENT2,EN6,EN6/A,ES3,ES3/A,ES4,ES4/A,VC2,VC2/A VMQ,VMT,VMT/A,VS2,VS3,VS4,VS5,VS6,VS7,VTE2,VVC,VVE |
| | 17222-ZB8-000 | | 1 | - | - | ----- | EDS5 |
| 7 | 17231-ZB7-000 | COVER COMP., AIR CLEANER | 1 | - | - | ----- | EDS5 |

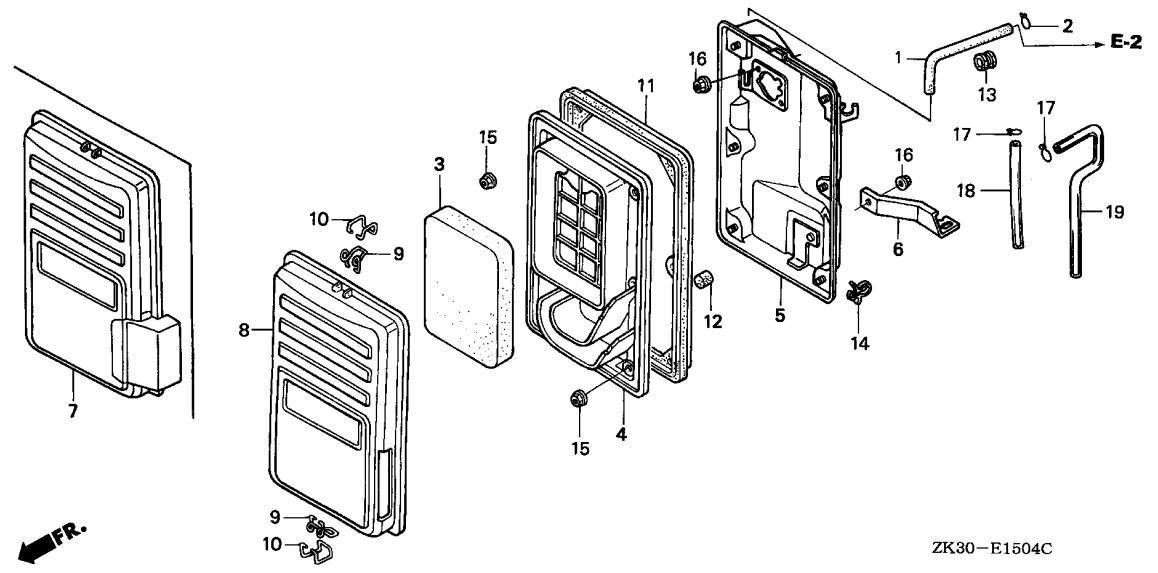
2



ZK30-E1504C

| Ref. No. | Part No. | Description | Reqd. QTY | | | Serial No. | Parts catalogue code |
|----------|---------------|--------------------------|-----------|-----|-----|------------|--|
| | | | GX | (1) | (2) | | |
| 8 | 17231-899-000 | COVER COMP., AIR CLEANER | 1 | - | - | ----- | EDE2,EDE2/A,EDN,EDN2,EDN2/A,EDS,EDS1,EDS1/A,EDS2,EDS2/A,EDS3,EDS4,EDS6,EDS6/A,EDT,EDT/A,EDT1,EDT1/A,EDT2,EDT3,EDT6,EDT6/A,ED6,ED6/A,EMT,EMT/A,ENT,ENT/A,ENT2,EN6,EN6/A,ES3,ES3/A,ES4,ES4/A,VC2,VC2/A,VMQ,VMT,VMT/A,VS2,VS3,VS4,VS5,VS6,VS7,VTE2,VWC,VWE |
| 9 | 17235-899-000 | CLIP A, AIR CLEANER WIRE | 2 | - | - | ----- | EDE2,EDE2/A,EDN,EDN2,EDN2/A,EDS,EDS1,EDS1/A,EDS2,EDS2/A,EDS3,EDS4,EDS5,EDS6,EDS6/A,EDT,EDT/A,EDT1,EDT1/A,EDT2,EDT3,EDT6,EDT6/A,ED6,ED6/A,EMT,EMT/A,ENT,ENT/A,ENT2,EN6,EN6/A,ES3,ES3/A,ES4,ES4/A,VC2,VC2/A,VMQ,VMT,VMT/A,VS2,VS3,VS4,VS5,VS6,VS7,VTE2,VWC,VWE |
| 10 | 17236-899-000 | CLIP B, AIR CLEANER WIRE | 2 | - | - | ----- | EDE2,EDE2/A,EDN,EDN2,EDN2/A,EDS,EDS1,EDS1/A,EDS2,EDS2/A,EDS3,EDS4,EDS5,EDS6,EDS6/A,EDT,EDT/A,EDT1,EDT1/A,EDT2,EDT3,EDT6,EDT6/A,ED6,ED6/A,EMT,EMT/A,ENT,ENT/A,ENT2,EN6,EN6/A,ES3,ES3/A,ES4,ES4/A,VC2,VC2/A,VMQ,VMT,VMT/A,VS2,VS3,VS4,VS5,VS6,VS7,VTE2,VWC,VWE |
| 11 | 17252-899-000 | SEAL, AIR CLEANER | 1 | - | - | ----- | EDE2,EDE2/A,EDN,EDN2,EDN2/A,EDS,EDS1,EDS1/A,EDS2,EDS2/A,EDS3,EDS4,EDS5,EDS6,EDS6/A,EDT,EDT/A,EDT1,EDT1/A,EDT2,EDT3,EDT6,EDT6/A,ED6,ED6/A,EMT,EMT/A,ENT,ENT/A,ENT2,EN6,EN6/A,ES3,ES3/A,ES4,ES4/A,VC2,VC2/A,VMQ,VMT,VMT/A,VS2,VS3,VS4,VS5,VS6,VS7,VTE2,VWC,VWE |
| 12 | 17367-413-690 | FILTER, DRAIN TUBE | 1 | - | - | ----- | EDE2,EDE2/A,EDN,EDN2,EDN2/A,EDS,EDS1,EDS1/A,EDS2,EDS2/A,EDS3,EDS4,EDS5,EDS6,EDS6/A,EDT,EDT/A,EDT1,EDT1/A,EDT2,EDT3,EDT6,EDT6/A,ED6,ED6/A,EMT,EMT/A,ENT,ENT/A,ENT2,EN6,EN6/A,ES3,ES3/A,ES4,ES4/A,VC2,VC2/A,VMQ,VMT,VMT/A,VS2,VS3,VS4,VS5,VS6,VS7,VTE2,VWC,VWE |
| 13 | 88911-MJ3-000 | GROMMET, FENDER | 1 | - | - | ----- | EDS5,ENT,ENT/A,ENT2,EN6,EN6/A,VMQ,VMT,VMT/A,VWC,VWE |
| 14 | 90624-SB0-003 | CLIP, WIRE HARNESS | 1 | - | - | ----- | EDS5 |
| 15 | 94050-05000 | NUT, FLANGE, 5MM | 6 | - | - | ----- | EDE2,EDE2/A,EDN,EDN2,EDN2/A,EDS,EDS1,EDS1/A,EDS2,EDS2/A,EDS3,EDS4,EDS5,EDS6,EDS6/A,EDT,EDT/A,EDT1,EDT1/A,EDT2,EDT3,EDT6,EDT6/A,ED6,ED6/A,EMT,EMT/A,ENT,ENT/A,ENT2,EN6,EN6/A,ES3,ES3/A,ES4,ES4/A,VC2,VC2/A,VMQ,VMT,VMT/A,VS2,VS3,VS4,VS5,VS6,VS7,VTE2,VWC,VWE |

2



ZK30-E1504C

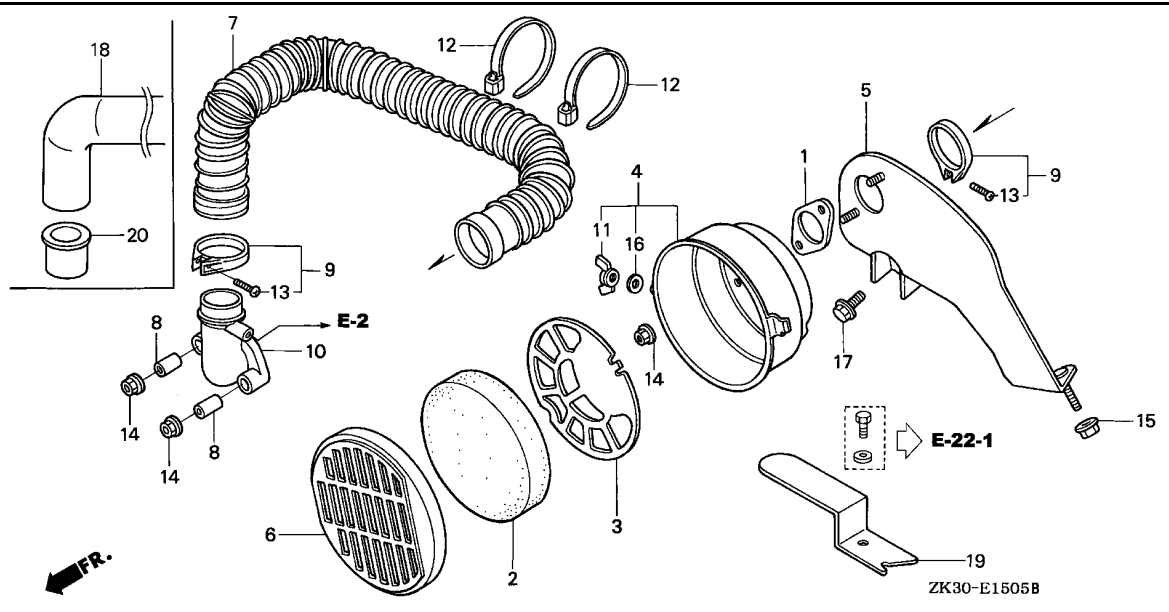
| Ref. No. | Part No. | Description | Reqd. QTY | | | Serial No. | Parts catalogue code |
|----------|----------------|---|-----------|-----|-----|------------|--|
| | | | GX | (1) | (2) | | |
| 16 | 94050-06000 | NUT, FLANGE, 6MM | 3 | - | - | ----- | EDE2,EDE2/A,EDN,EDN2,EDN2/A,EDS,EDS1,EDS1/A,EDS2,EDS2/A,EDS3,EDS4,EDS5,EDS6,EDS6/A,EDT,EDT/A,EDT1,EDT1/A,EDT2,EDT3,EDT6,EDT6/A,ED6,ED6/A,ENT,ENT/A,ENT2,EN6,EN6/A,ES4,ES4/A,VC2,VC2/A,VMQ,VMT,VMT/A,VS2,VS4,VS5,VS6,VS7,VTE2,VVC,VVE |
| 17 | 95002-45000 | CLIP, TUBE (C8) | 2 | - | - | ----- | EDS5 |
| 18 | 95003-09023-31 | TUBE, VINYL, 4.5X8X230 (95003-09001-60M) | 1 | - | - | ----- | EDS5 |
| 19 | 95003-09038-31 | TUBE, VINYL, 4.5X8X380 (95003-09001-60M) | 1 | - | - | ----- | EDS5 |



E-15-5

AIR CLEANER(6)

2-B 6



| Ref. No. | L.O.N. | (Relative ref. Number) Description | F.R.T. |
|----------|--------|---|--------|
| 1 | 3121D9 | PACKING, AIR CLEANER | 0.1 |
| 2 | 3121B8 | ELEMENT, AIR CLEANER .INCLUDES: Air cleaner- inspection | 0.1 |
| 4 | 3121H1 | CASE, AIR CLEANER(A) | 0.1 |
| 5 | 3121G4 | STAY, AIR CLEANER | 0.2 |
| 7 | 3121D1 | HOSE, AIR CLEANER | 0.1 |
| 10 | 3121B4 | ELBOW, AIR CLEANER | 0.1 |

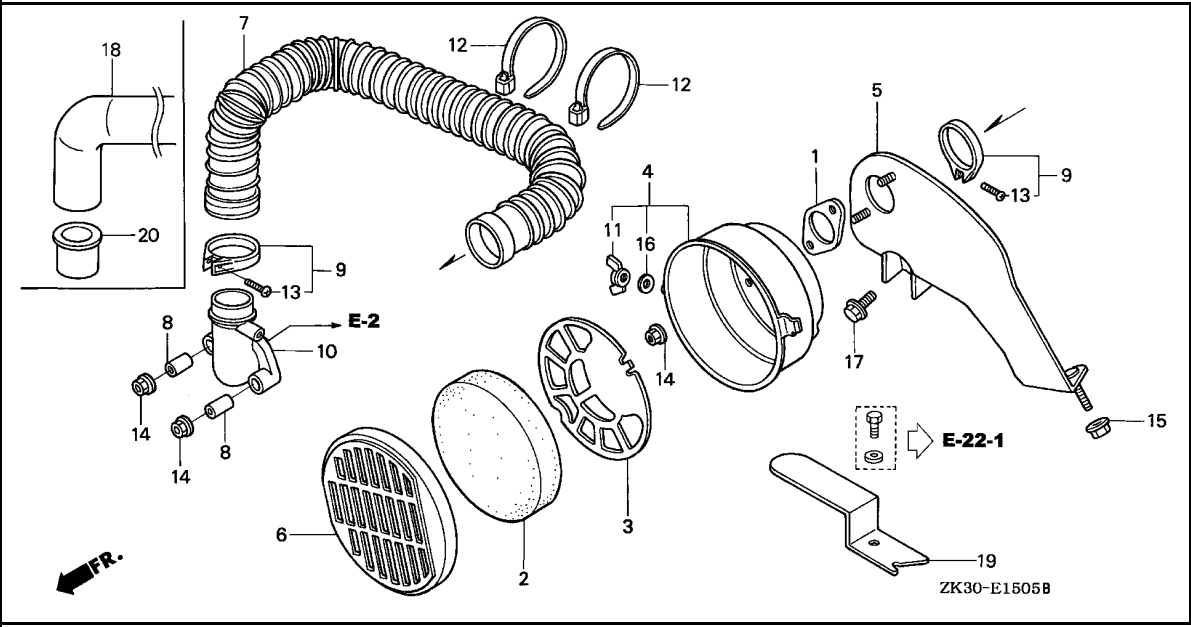
| Ref. No. | Part No. | Description | Reqd. QTY | | | Serial No. | Parts catalogue code |
|----------|----------------|--|-----------|-------|-----|---------------------|----------------------|
| | | | GX | 340K1 | (3) | | |
| 1 | 16269-890-800 | PACKING, AIR CLEANER | 1 | - | - | ZK1,ZK1/A | |
| 2 | 17211-883-010 | ELEMENT, AIR CLEANER | 1 | - | - | ZK1,ZK1/A | |
| 3 | 17212-ZE3-L60 | GRID, AIR CLEANER | 1 | - | - | ZK1,ZK1/A | |
| 4 | 17220-ZE3-L60 | CASE COMP., AIR CLEANER | 1 | - | - | 2343602 ZK1 | |
| | 17220-ZE3-L61 | | 1 | - | - | ZK1/A | |
| | | | 1 | - | - | 2343603 ZK1 | |
| 5 | 17222-ZE3-L60 | STAY COMP., AIR CLEANER | 1 | - | - | ZK1,ZK1/A | |
| 6 | 17231-883-020 | COVER, AIR CLEANER | 1 | - | - | ZK1,ZK1/A | |
| 7 | 17237-ZE2-S00 | HOSE, AIR CLEANER | 1 | - | - | 2767218 ZK1 | |
| 8 | 17238-ZE7-010 | COLLAR, AIR CLEANER | 2 | - | - | ZK1,ZK1/A | |
| 9 | 17255-ZE3-L60 | BAND, AIR CLEANER CONNECTING TUBE (38) | 2 | - | - | 2790257 ZK1 | |
| | 17255-ZE3-L61 | BAND, AIR CLEANER CONNECTING TUBE (36) | 2 | - | - | ZK1/A | |
| | | | 2 | - | - | 2790258 ZK1 | |
| 10 | 17410-ZA0-701 | ELBOW COMP., AIR CLEANER | 1 | - | - | ZK1,ZK1/A | |
| 11 | 90325-044-000 | NUT, TOOL BOX SETTING | 1 | - | - | ZK1,ZK1/A | |
| 12 | 90674-ZE3-L60 | BAND, WIRE | 2 | - | - | 2375016 2767218 ZK1 | |
| 13 | 93500-04025-0G | SCREW, PAN, 4X25 | 2 | - | - | ZK1,ZK1/A | |
| 14 | 94050-06000 | NUT, FLANGE, 6MM | 4 | - | - | ZK1,ZK1/A | |
| 15 | 94050-08000 | NUT, FLANGE, 8MM | 1 | - | - | ZK1,ZK1/A | |
| 16 | 94101-06000 | WASHER, PLAIN, 6MM | 1 | - | - | ZK1,ZK1/A | |
| 17 | 95701-08030-00 | BOLT, FLANGE, 8X30 | 1 | - | - | ZK1,ZK1/A | |
| 18 | 17237-ZE3-L60 | HOSE, AIR CLEANER | 1 | - | - | ZK1/A | |
| | | | 1 | - | - | 2767219 ZK1 | |

2

E-15-5

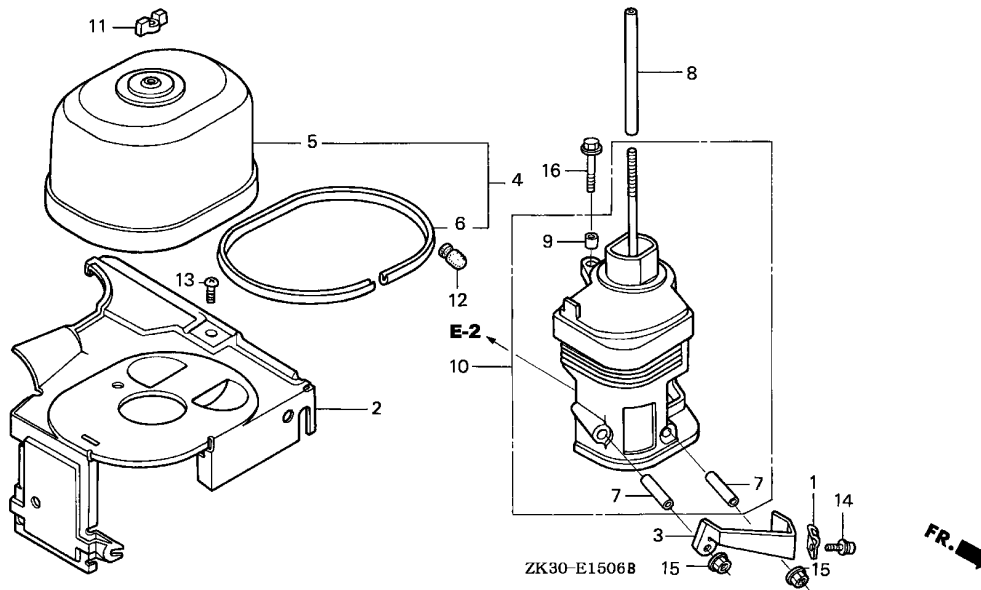
AIR CLEANER(6)

2-B 7



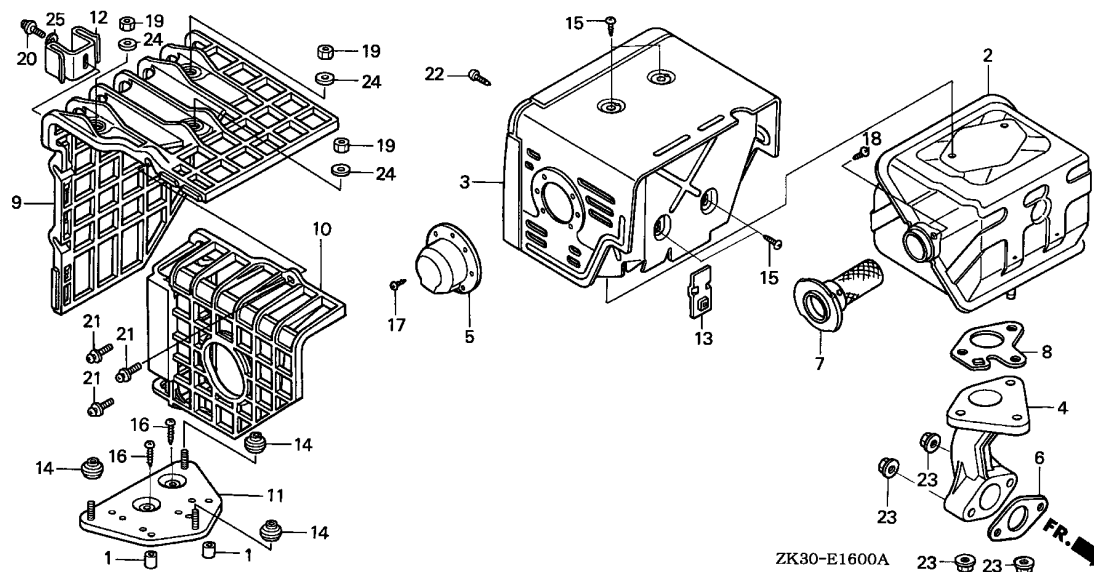
| Ref. No. | Part No. | Description | Reqd. QTY | | | Serial No. | Parts catalogue code |
|----------|---------------|------------------------------|-----------|-------|-----|------------|----------------------|
| | | | GX | 340K1 | | | |
| | | | (1) | (2) | (3) | | |
| 19 | 17234-ZE3-L60 | PLATE SET, AIR CLEANER | 1 | - | - | ----- | ZK1/A |
| | | | 1 | - | - | 2767219 | ZK1 |
| 20 | 17238-ZE3-L60 | COLLAR, AIR CLEANER | 1 | - | - | ----- | ZK1/A |
| | | | 1 | - | - | 2767219 | ZK1 |

2



| Ref. No. | L.O.N. | (Relative ref. Number) Description | F.R.T. |
|----------|--------|------------------------------------|--------|
| 2 | 4141J6 | COVER, AIR CLEANER CONTROL ... | 0.1 |
| 6 | 3121E9 | SEAL, AIR CLEANER COVER | 0.1 |
| 10 | 3121B4 | ELBOW, AIR CLEANER | 0.1 |

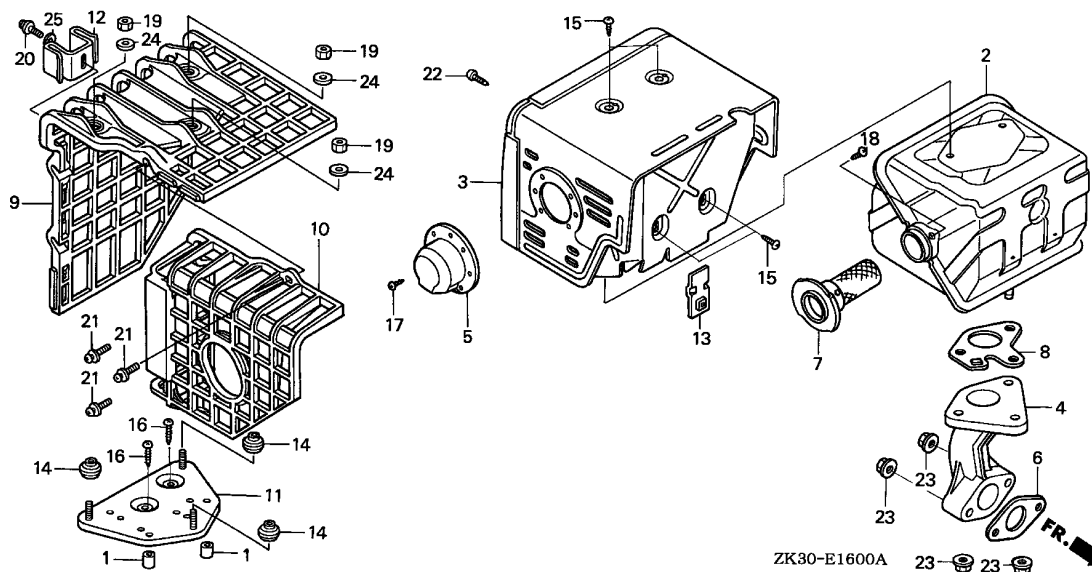
| Ref. No. | Part No. | Description | Reqd. QTY | | | Serial No. | Parts catalogue code |
|----------|----------------|-------------------------------|-----------|-------|-----|------------|----------------------|
| | | | GX | 340K1 | | | |
| | | | (1) | (2) | (3) | | |
| 1 | 16582-883-300 | HOLDER, CONTROL CABLE | 1 | - | - | ----- | LWD1,LWD1/A |
| 2 | 16591-ZE3-H00 | COVER, CONTROL | 1 | - | - | ----- | LWD1,LWD1/A |
| 3 | 16597-ZE2-780 | STAY COMP., WIRE HOLDER | 1 | - | - | ----- | LWD1,LWD1/A |
| 4 | 17230-ZE3-H50 | COVER, AIR CLEANER | 1 | - | - | ----- | LWD1,LWD1/A |
| 5 | 17230-ZE3-000 | COVER, AIR CLEANER (STD.) ... | 1 | - | - | ----- | LWD1,LWD1/A |
| 6 | 17233-ZE3-H60 | RUBBER, AIR CLEANER COVER ... | 1 | - | - | ----- | LWD1,LWD1/A |
| 7 | 17238-ZE2-310 | COLLAR, AIR CLEANER | 2 | - | - | ----- | LWD1,LWD1/A |
| 8 | 17238-ZE3-H00 | COLLAR, AIR CLEANER | 1 | - | - | ----- | LWD1,LWD1/A |
| 9 | 17239-ZE1-000 | COLLAR B, AIR CLEANER | 1 | - | - | ----- | LWD1,LWD1/A |
| 10 | 17410-ZE3-010 | ELBOW COMP., AIR CLEANER | 1 | - | - | ----- | LWD1,LWD1/A |
| 11 | 90325-044-000 | NUT, TOOL BOX SETTING | 1 | - | - | ----- | LWD1,LWD1/A |
| 12 | 90899-422-610 | PLUG, CONE TYPE | 1 | - | - | ----- | LWD1,LWD1/A |
| 13 | 93500-06008-0G | SCREW, PAN, 6X8 | 1 | - | - | ----- | LWD1,LWD1/A |
| 14 | 93892-05016-00 | SCREW-WASHER, 5X16 | 1 | - | - | ----- | LWD1,LWD1/A |
| 15 | 94050-06000 | NUT, FLANGE, 6MM | 2 | - | - | ----- | LWD1,LWD1/A |
| 16 | 95701-06035-08 | BOLT, FLANGE, 6X35 | 1 | - | - | ----- | LWD1,LWD1/A |



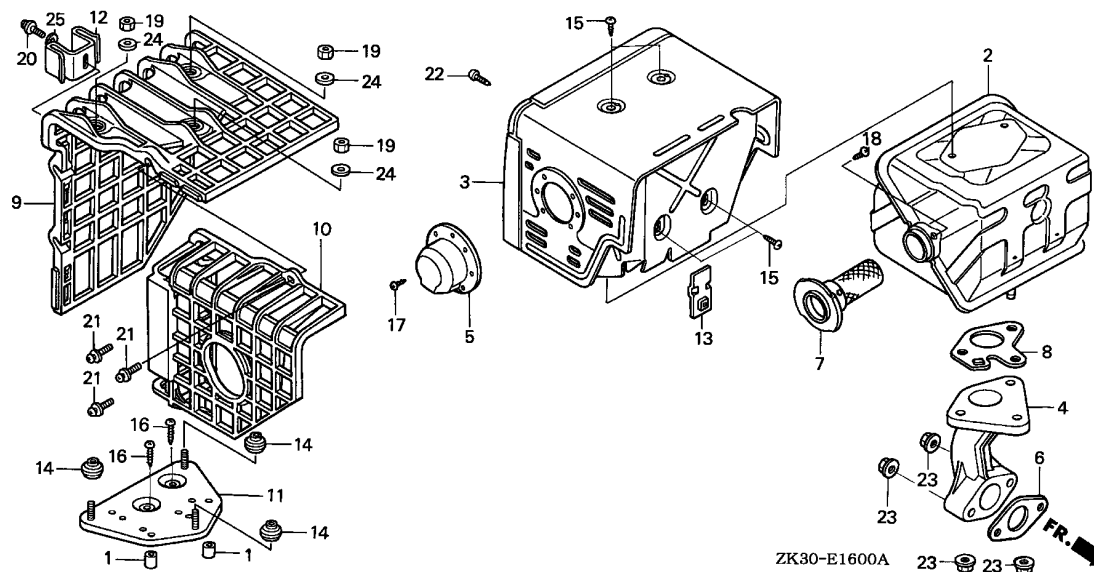
| Ref. No. | L.O.N. | (Relative ref. Number) Description | F.R.T. |
|----------|--------|------------------------------------|--------|
| 2 | 3131C5 | MUFFLER, EXHAUST | 0.2 |
| 3 | 3131D6 | PROTECTOR, EXHAUST MUFFLER ... | 0.2 |
| 4 | 3131C9 | PIPE, EXHAUST | 0.2 |
| 6 | 3131B5 | GASKET, EXHAUST PIPE | 0.2 |
| 7 | 3131A1 | ARRESTER, SPARK | 0.2 |
| | | .INCLUDES: Spark arrester check | |
| 8 | 3131B4 | GASKET, EXHAUST MUFFLER | 0.2 |
| 9 | 3131A7 | COVER, EXHAUST MUFFLER | 0.1 |
| 10 | 3131A6 | COVER, EXHAUST MUFFLER :REAR .. | 0.1 |
| 11 | 3131A2 | BASE, EXHAUST MUFFLER COVER .. | 0.2 |

| Ref. No. | Part No. | Description | Reqd. QTY | | | Serial No. | Parts catalogue code | |
|----------|---------------|-------------------------------|-----------|-------|-----|------------|---|---|
| | | | GX | 340K1 | (3) | | | |
| | | | (1) | (2) | (3) | | | |
| 1 | 17233-896-701 | COLLAR, AIR CLEANER CASE | (2) | - | - | ----- | QXB/A, QXB7, QXB7/A, SXB/A, SXB7, SXB7/A, SXEB/A, VSH7, VXB/A, VXB7, VXB7/A, VXEB/A, VXE7, VXE7/A | |
| 2 | 18310-ZE2-W60 | MUFFLER COMP. (100DB) | (2) | - | - | 2338524 | ----- | QXB, SXB, SXEB, VNG1, VNG2, VXB, VXEB, VXG |
| | 18310-ZE2-W61 | | 1 | - | - | 3030997 | ----- | QXEB, SHT, VNG, VNG1, VNG2, VXB2, VXG |
| | | | 1 | - | - | ----- | ----- | QXB, SXB, SXEB, VWC2, VWS2, VXB, VXEB |
| 3 | 18320-ZE2-W60 | PROTECTOR COMP., MUFFLER | 1 | - | - | 3030998 | ----- | QXB/A, QXB7, QXB7/A, SXB/A, SXB7, SXB7/A, SXEB/A, VSH7, VWC2/A, VWS2/A, VXB/A, VXB7, VXB7/A, VXEB/A, VXE7, VXE7/A |
| | 18320-ZF6-W00 | PROTECTOR COMP., MUFFLER | 1 | - | - | 2338523 | ----- | QXB, SXB, SXEB, VWC2, VWS2, VXB, VXEB |
| | | (100DB) | 1 | - | - | ----- | ----- | QXB, QXEB, SXB, SXEB, VNG, VXB, VXEB, VXG |
| | 18320-ZE2-W61 | PROTECTOR COMP., MUFFLER | 1 | - | - | ----- | ----- | QXB, QXEB, SHT, VNG1, VNG2 |
| | 18320-ZF6-W01 | PROTECTOR COMP., MUFFLER | 1 | - | - | 2338524 | ----- | QXB/A, SXB/A, SXEB/A, VWC2, VWC2/A, VWS2, VWS2/A, VXB/A, VXB2, VXEB/A |
| | | (100DB) | 1 | - | - | ----- | ----- | QXB, QXEB, SXB, SXEB, VNG, VXB, VXEB, VXG |
| 4 | 18330-ZE2-W00 | PIPE, EX. | 1 | - | - | 2360328 | ----- | QXB7, QXB7/A, SXB7, SXB7/A, VSH7, VXB7, VXB7/A, VXE7, VXE7/A |
| | | | 1 | - | - | ----- | ----- | SHT, VNG1, VNG2 |
| 5 | 18331-ZE3-810 | CAP, MUFFLER | 1 | - | - | ----- | ----- | QXB, QXB/A, QXB7, QXB7/A, QXEB, SHT, SXB, SXB/A, SXB7, SXB7/A, SXEB, SXEB/A, VNG, VNG1, VNG2, VSH7, VWC2, VWC2/A, VWS2, VWS2/A, VXB, VXB/A, VXB2, VXB7, VXB7/A, VXEB, VXEB/A, VXE7, VXE7/A, VXG |
| 6 | 18333-ZE3-800 | GASKET, EX. PIPE | 1 | - | - | 2563593 | ----- | QXB, QXEB, SHT, SXB, SXEB, VNG, VNG1, VNG2, VWC2, VWS2, VXB, VXB2, VXEB, VXG |
| | 18333-ZK6-Y00 | | 1 | - | - | 2563594 | ----- | QXEB, SHT, VNG, VNG1, VNG2, VXB2, VXG |
| | | | 1 | - | - | 3030997 | ----- | QXB, SXB, SXEB, VWC2, VWS2, VXB, VXEB |
| | 18333-ZF6-W01 | | 1 | - | - | ----- | ----- | QXB/A, QXB7, QXB7/A, SXB/A, SXB7, SXB7/A, SXEB/A, VSH7, VWC2/A, VWS2/A, VXB/A, VXB7, VXB7/A, VXEB/A, VXE7, VXE7/A |
| | | | 1 | - | - | 3030998 | ----- | QXB, SXB, SXEB, VWC2, VWS2, VXB, VXEB |





| Ref. No. | Part No. | Description | Reqd. QTY | | | Serial No. | Parts catalogue code |
|----------|---------------|-------------------------------|-----------|-----|-----|---------------|--|
| | | | GX | (1) | (2) | | |
| 7 | 18355-ZE2-W00 | ARRESTER, SPARK | 1 | - | - | ----- | QXB,QXB/A,QXB7,QXB7/A,QXEB,SHT,SXB,SXB/A,SXB7,SXB7/A,SXEB,SXEB/A,VNG,VNG1,VNG2,VSH7,VWC2,VWC2/A,VWS2,VWS2/A,VXB,VXB/A,VXB2,VXB7,VXB7/A,VXEB,VXEB/A,VXE7,VXE7/A,VXG |
| 8 | 18381-ZE2-W10 | GASKET, MUFFLER (ARRESTER) .. | 1 | - | - | ----- | QXB,QXB/A,QXB7,QXB7/A,QXEB,SHT,SXB,SXB/A,SXB7,SXB7/A,SXEB,SXEB/A,VNG,VNG1,VNG2,VSH7,VWC2,VWC2/A,VWS2,VWS2/A,VXB,VXB/A,VXB2,VXB7,VXB7/A,VXEB,VXEB/A,VXE7,VXE7/A,VXG |
| 9 | 18433-ZF6-W40 | COVER COMP., MUFFLER | (1) | - | - | ----- | QXB/A,QXB7,QXB7/A,SXB/A,SXB7,SXB7/A,SXEB/A,VSH7,VXB/A,VXB7,VXB7/A,VXEB/A,VXE7,VXE7/A |
| 10 | 18434-ZF6-W40 | COVER COMP., RR. MUFFLER | (1) | - | - | 2338524 ----- | QXB,SXB,SXEB,VNG1,VNG2,VXB,VXEB,VXG |
| | | | (1) | - | - | ----- | QXB/A,QXB7,QXB7/A,SXB/A,SXB7,SXB7/A,SXEB/A,VSH7,VXB/A,VXB7,VXB7/A,VXEB/A,VXE7,VXE7/A |
| | | | (1) | - | - | 2338524 ----- | QXB,SXB,SXEB,VNG1,VNG2,VXB,VXEB,VXG |
| 11 | 18436-ZH8-W40 | BASE COMP., MUFFLER COVER ... | (1) | - | - | ----- | QXB/A,QXB7,QXB7/A,SXB/A,SXB7,SXB7/A,SXEB/A,VSH7,VXB/A,VXB7,VXB7/A,VXEB/A,VXE7,VXE7/A |
| | | | (1) | - | - | 2338524 ----- | QXB,SXB,SXEB,VNG1,VNG2,VXB,VXEB,VXG |
| 12 | 18437-ZF6-W40 | STAY, MUFFLER COVER | (1) | - | - | ----- | QXB,QXB/A,QXB7,QXB7/A,SXB,SXB/A,SXB7,SXB7/A,SXEB,SXEB/A,VNG1,VNG2,VSH7,VXB,VXB/A,VXB7,VXB7/A,VXEB,VXEB/A,VXE7,VXE7/A,VXG |
| 13 | 18438-ZF6-W40 | PLATE, SET | (1) | - | - | ----- | QXB,QXB/A,QXB7,QXB7/A,SXB,SXB/A,SXB7,SXB7/A,SXEB,SXEB/A,VNG1,VNG2,VSH7,VXB,VXB/A,VXB7,VXB7/A,VXEB,VXEB/A,VXE7,VXE7/A,VXG |
| 14 | 18466-ZH8-W40 | SPACER, MUFFLER COVER | (3) | - | - | ----- | QXB/A,QXB7,QXB7/A,SXB/A,SXB7,SXB7/A,SXEB/A,VSH7,VXB/A,VXB7,VXB7/A,VXEB/A,VXE7,VXE7/A |
| | | | (3) | - | - | 2338524 ----- | QXB,SXB,SXEB,VNG1,VNG2,VXB,VXEB,VXG |
| 15 | 90050-ZE1-000 | SCREW, TAPPING, 5X8 | 4 | - | - | ----- | QXB,QXB/A,QXB7,QXB7/A,QXEB,SHT,SXB,SXB/A,SXB7,SXB7/A,SXEB,SXEB/A,VNG,VNG1,VNG2,VSH7,VWC2,VWC2/A,VWS2,VWS2/A,VXB,VXB/A,VXB2,VXB7,VXB7/A,VXEB,VXEB/A,VXE7,VXE7/A,VXG |



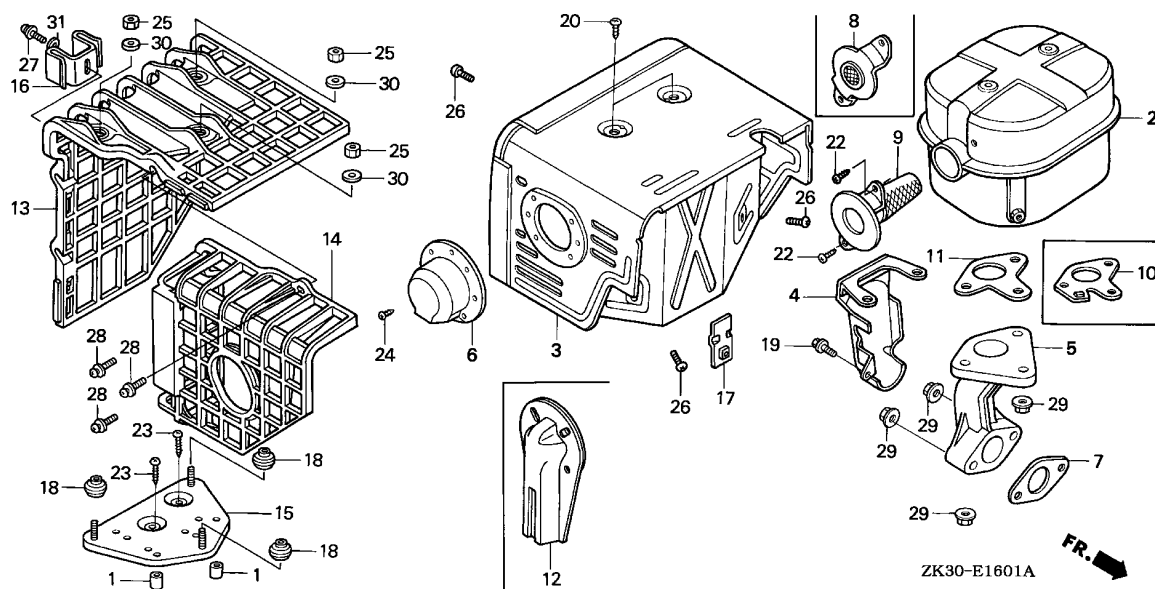
| Ref. No. | Part No. | Description | Reqd. QTY | | | Serial No. | Parts catalogue code | |
|----------|----------------|----------------------|--------------------|-----|-----|------------|---|--|
| | | | GX 340K1 (1) | (2) | (3) | | | |
| 16 | 90050-ZH8-W40 | SCREW, TAPPING, 5X25 | (2) | - | - | ----- | QXB/A, QXB7, QXB7/A, SXB/A, SXB7, SXB7/A, SXEB/A, VSH7, VXB/A, VXB7, VXB7/A, VXEB/A, VXE7, VXE7/A | |
| 17 | 90055-ZE1-000 | SCREW, TAPPING, 4X6 | (2) | - | - | 2337465 | ----- | QXB, SXB, SXEB, VNG1, VNG2, VXB, VXEB, VXG |
| 18 | 90055-ZE1-000 | SCREW, TAPPING, 4X6 | 3 | - | - | ----- | SHT | |
| | 90050-ZE1-000 | SCREW, TAPPING, 5X8 | 1 | - | - | 2324692 | ----- | QXB, QXEB, SHT, SXB, SXEB, VNG, VNG1, VNG2, VXB, VXEB, VXG |
| | | | 1 | - | - | ----- | QXB/A, QXB7, QXB7/A, SXB/A, SXB7, SXB7/A, SXEB/A, VSH7, VWC2, VWC2/A, VWS2, VWS2/A, VXB/A, VXB2, VXB7, VXB7/A, VXEB/A, VXE7, VXE7/A | |
| 19 | 90302-KF9-900 | NUT, HEX., 5MM | 1 | - | - | 2324693 | ----- | QXB, QXEB, SHT, SXB, SXEB, VNG, VNG1, VNG2, VXB, VXEB, VXG |
| | | | (3) | - | - | ----- | QXB/A, QXB7, QXB7/A, SXB/A, SXB7, SXB7/A, SXEB/A, VSH7, VXB/A, VXB7, VXB7/A, VXEB/A, VXE7, VXE7/A | |
| 20 | 93891-05012-00 | SCREW-WASHER, 5X12 | (3) | - | - | 2337465 | ----- | QXB, SXB, SXEB, VNG1, VNG2, VXB, VXEB, VXG |
| | | | (1) | - | - | ----- | QXB, QXB/A, QXB7, QXB7/A, SXB, SXB/A, SXB7, SXB7/A, SXEB, SXEB/A, VNG1, VNG2, VSH7, VXB, VXB/A, VXB7, VXB7/A, VXEB, VXEB/A, VXE7, VXE7/A, VXG | |
| 21 | 93891-06020-07 | SCREW-WASHER, 6X20 | (3) | - | - | ----- | QXB/A, QXB7, QXB7/A, SXB/A, SXB7, SXB7/A, SXEB/A, VSH7, VXB/A, VXB7, VXB7/A, VXEB/A, VXE7, VXE7/A | |
| | | | (3) | - | - | 2337465 | ----- | QXB, SXB, SXEB, VNG1, VNG2, VXB, VXEB, VXG |
| 22 | 93901-360J0 | SCREW, TAPPING, 6X10 | 1 | - | - | 2188189 | ----- | QXB, QXEB, SXB, SXEB, VNG, VNG1, VNG2, VXB, VXEB |
| | 90006-ZE2-000 | | 1 | - | - | ----- | QXB/A, QXB7, QXB7/A, SHT, SXB/A, SXB7, SXB7/A, SXEB/A, VSH7, VWC2, VWC2/A, VWS2, VWS2/A, VXB/A, VXB2, VXB7, VXB7/A, VXEB/A, VXE7, VXE7/A, VXG | |
| | | | 1 | - | - | 2188190 | ----- | QXB, QXEB, SXB, SXEB, VNG, VNG1, VNG2, VXB, VXEB |
| 23 | 94050-08000 | NUT, FLANGE, 8MM | 5 | - | - | ----- | QXB, QXEB, SXB, SXEB, VNG, VNG1, VNG2, VXB, VXEB | |
| | | | 1 | - | - | ----- | QXB, QXB/A, QXB7, QXB7/A, QXEB, SHT, SXB, SXB/A, SXB7, SXB7/A, SXEB, SXEB/A, VNG, VNG1, VNG2, VSH7, VWC2, VWC2/A, VWS2, VWS2/A, VXB, VXB/A, VXB2, VXB7, VXB7/A, VXEB, VXEB/A, VXE7, VXE7/A, VXG | |
| 24 | 94103-05700 | WASHER, PLAIN, 5MM | (3) | - | - | ----- | QXB/A, QXB7, QXB7/A, SXB/A, SXB7, SXB7/A, SXEB/A, VSH7, VXB/A, VXB7, VXB7/A, VXEB/A, VXE7, VXE7/A | |
| | | | (3) | - | - | 2337465 | ----- | QXB, SXB, SXEB, VNG1, VNG2, VXB, VXEB, VXG |
| 25 | 94111-05000 | WASHER, SPRING, 5MM | (1) | - | - | ----- | QXB, QXB/A, QXB7, QXB7/A, SXB, SXB/A, SXB7, SXB7/A, SXEB, SXEB/A, VNG1, VNG2, VSH7, VXB, VXB/A, VXB7, VXB7/A, VXEB, VXEB/A, VXE7, VXE7/A, VXG | |



E-16-1

MUFFLER(2)

2-B12



| Ref. No. | L.O.N. | (Relative ref. Number) Description | F.R.T. |
|--------------------------------------|--------|------------------------------------|--------|
| 2 | 3131C5 | MUFFLER, EXHAUST | 0.2 |
| 3 | 3131D6 | PROTECTOR, EXHAUST MUFFLER ... | 0.2 |
| 5 | 3131C9 | PIPE, EXHAUST | 0.2 |
| 7 | 3131B5 | GASKET, EXHAUST PIPE | 0.2 |
| 8 | 3131G5 | FLANGE, EXHAUST BAFFLE | 0.2 |
| 9 | 3131A1 | ARRESTER, SPARK | 0.2 |
| .INCLUDES: Spark arrester check (10) | | | |
| 11 | 3131B4 | GASKET, EXHAUST MUFFLER | 0.2 |
| 13 | 3131A7 | COVER, EXHAUST MUFFLER | 0.1 |
| 14 | 3131A6 | COVER, EXHAUST MUFFLER :REAR .. | 0.1 |
| 15 | 3131A2 | BASE, EXHAUST MUFFLER COVER .. | 0.2 |

ZK30-E1601A



| Ref. No. | Part No. | Description | Reqd. QTY GX 340K1 (1) (2) (3) | Serial No. | Parts catalogue code |
|----------|---------------|-------------------------------|---|---------------|---|
| 1 | 17233-896-701 | COLLAR, AIR CLEANER CASE | (2) - (2) | ----- | LHQ4, LHQ4/A, LKE/A, LXE4, LXE4/A, LXQ4, LXQ4/A, PKX4, PKX4/A, QE, QE/A, QHQ4, QHQ4/A, QKA4, QKA4/A, QME0, QME0/A, QME8, QME8/A, QXC4, QXC4/A, QXE4, QXE4/A, QXQ4, QXQ4/A, SE, SE/A, SHQ4, SHQ4/A, SME0, SME0/A, SXE4, SXE4/A, SXQ4, SXQ4/A, VD16, VEB6, VXE4, VXQP, VXQ4, VXQ4/A |
| 2 | 18310-ZE3-W00 | MUFFLER COMP. | (2) - - 1 - - | 2398545 ----- | LKE BJ, EDK, EDN5, EDN5/A, ED7, ED8, ED8/A, ED9, ED9/A, EN, ES, ES1, ES1/A, ES2, ET, ETS, ETX, HA, HAQ, HA2, HA2/A, HH, HX, HX2, HX26, HX26/A, LH, LH/A, LHB1, LHB3, LHB3/A, LHB5, LHC, LHE, LHE/A, LHQ4, LHQ4/A, LJ, LJ/A, LJG, LJG/A, LJS, LJS/A, LJS1, LKE, LKE/A, LSX, LT, LT/A, LWD, LX, LX/A, LXE, LXE/A, LXE2, LXE2/A, LXE4, LXE4/A, LXE6, LXE8, LXE8/A, LXQ4, LXQ4/A, LXU, LXU/A, LXZ, LX2, LX2/A, LX26, LX26/A, PKX4, PX, PX/A, PXE8, PXE8/A, QA, QAC2, QAC2/A, QAE, QAE2, QAE2/A, QAE6, QAE6/A, QAG, QAG/A, QAH2, QAH2/A, QAP, QAPE, QAP2, QAP2/A, QAQ, QA2, QA2/A, QA26, QA26/A, QDW9, QDW9/A, QE, QE/A, QH, QH/A, QHB3, QHB3/A, QHB5, QHC, QHE, QHE/A, QHP1, QHP1/A, QHQ4, QHQ4/A, QH2, QKA4, QKA4/A, QL2, QME0, QME0/A, QME8, QME8/A, QMH, QMH/A, QMX2, QNE, QNE2, QNE2/A, QNE6, QNE9, QNE9/A, QNR2, QNR2/A, QNR6, QNR6/A, QN18, QP, QP/A, QPE2, QT, QT/A, QTC2, QTC2/A, QWH2, QWH2/A, QX, QX/A, QXC, QXC/A, QXC4, QXC4/A, QXC6, QXC6/A, QXC9, QXC9/A, QXE, QXE/A, QXE2, QXE4, QXE4/A, QXE6, QXE6/A, QXE8, QXE8/A, QXQ4, QXQ4/A, QXU, QXU/A, QX2, SDE, SE, SE/A, SH, SH/A, SHB1, SHB3, SHB3/A, SHE, SHEZ, SHQ4, SHQ4/A, SJ, SJ/A, SJG, SJG/A, SKE, SKE/A, SKZ, SKZ/A, SME0, SME0/A, SME2, SMX2, SMX2/A, STP, STP/A, STQ, STQ/A, STR, STR/A, SWX, SWX/A, SX, SX/A, SXE, SXE/A, SXE2, SXE4, SXE4/A, SXE8, SXE8/A, SXP, SXQ4, SXQ4/A, SXU, SXU/A, VA, VAD2, VAD2/A, VAH1, VAH2, VAW1, VA2, VA2/A, VDE, VDE2, VDE2/A, VE, VH, VHE, VH12, VH12/A, VH22, VH22/A, VMX, VWA, VWA2, VWE2, VWE2/A, VW12, VW12/A, VX, VX/A, VXA, VXE, VXE/A, VXE2, VXE2/A, VXE4, VXE6, VXE8, VXE8/A, VXX, VXQ4, VXQ4/A, VXU, VXU/A, VXU1, VXU1/A, VX16, VX16/A, VX8, VX8/A, YJ |
| | 18310-ZE2-W60 | MUFFLER COMP. (100DB) | - (1) 1 1 - - | ----- | VD16, VEB6 |

2

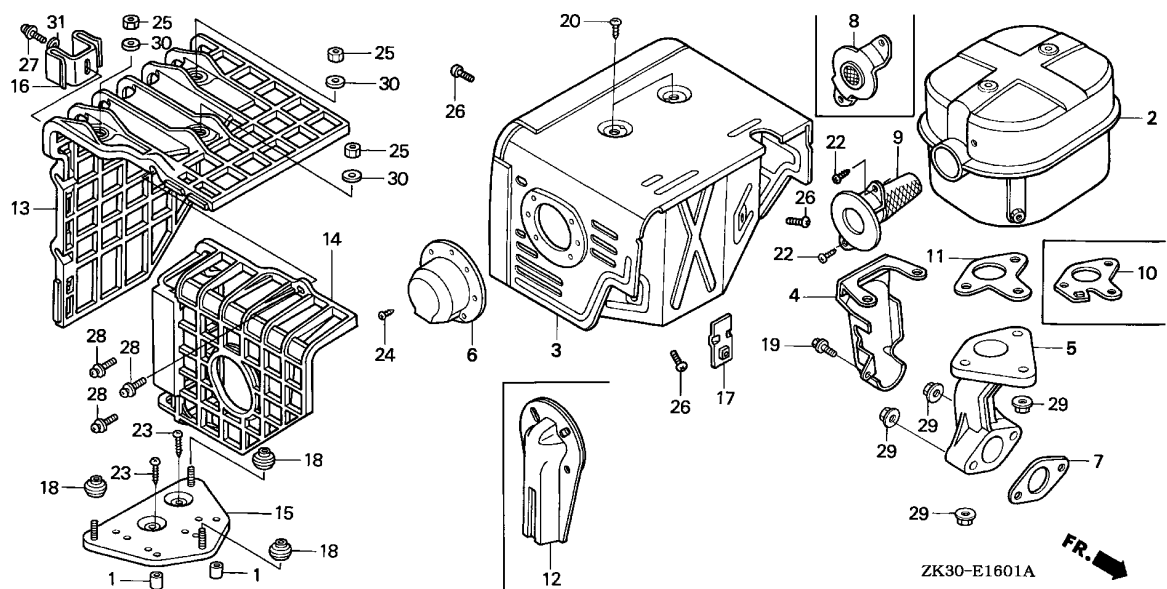
| Ref. No. | Part No. | Description | Reqd. QTY | | | Serial No. | Parts catalogue code |
|----------|---------------|--------------------------|-----------|-----|-----|------------|---|
| | | | (1) | (2) | (3) | | |
| 3 | 18320-ZE3-W00 | PROTECTOR COMP., MUFFLER | 1 | (1) | - | 2337453 | BJ, ED7, ED8, ED9, EN, ES, ES1, ET, ETS, ETX, HA, HAQ, HH, HX, LH, LHC, LHE, LJ, LJG, LKE, LX, LXE, LXZ, L1, PX, P1, QA, QAE, QAP, QAPE, QAA, QE, QH, QHE, QNE, QNE9, QP, QT, QX, QXC, QXE, Q1, SDE, SE, SH, SHE, SHEZ, SJ, SJG, STP, STQ, SWX, SX, SXE, SXP, S1, VA, VAH1, VAH2, VAW1, VDE, VE, VH, VHE, VWA, VX, VXA, VXE, VXU, VXU1, V1, YJ |
| | 18320-ZE3-W01 | | 1 | - | - | ----- | QHC |
| | | | 1 | (1) | - | ----- | EDK, EDN5, EDN5/A, ED8/A, ED9/A, ES1/A, ES2, HA2, HA2/A, HX2, HX26, HX26/A, LH/A, LHB1, LHB3, LHB3/A, LHB5, LHE/A, LHQ4, LHQ4/A, LJ/A, LJG/A, LJS, LJS/A, LJS1, LKE/A, LSX, LT, LT/A, LWD, LX/A, LXE/A, LXE2, LXE2/A, LXE4, LXE4/A, LXE6, LXE8, LXE8/A, LXQ4, LXQ4/A, LXU, LXU/A, LX2, LX2/A, LX26, LX26/A, L1/A, PKX4, PX/A, PXE8, PXE8/A, P1/A, QAC2, QAC2/A, QAE2, QAE2/A, QAE6, QAE6/A, QAG, QAG/A, QAH2, QAH2/A, QAP2, QAP2/A, QA2, QA2/A, QA26, QA26/A, QDW9, QDW9/A, QE/A, QH/A, QHB3, QHB3/A, QHB5, QHE/A, QHP1, QHP1/A, QHQ4, QHQ4/A, QH2, QKA4, QKA4/A, QL2, QMED, QMED/A, QME8, QME8/A, QMH, QMH/A, QMX2, QNE2, QNE2/A, QNE6, QNE9/A, QNR2, QNR2/A, QNR6, QNR6/A, QN18, QP/A, QPE2, QT/A, QTC2, QTC2/A, QWH2, QWH2/A, QX/A, QXC/A, QXC4, QXC4/A, QXC6, QXC6/A, QXC9, QXC9/A, QXE/A, QXE2, QXE4, QXE4/A, QXE6, QXE6/A, QXE8, QXE8/A, QXQ4, QXQ4/A, QXU, QXU/A, QX2, Q1/A, SE/A, SH/A, SHB1, SHB3, SHB3/A, SHQ4, SHQ4/A, SJ/A, SJG/A, SKE, SKE/A, SKZ, SKZ/A, SMEO, SMEO/A, SME2, SMX2, SMX2/A, STP/A, STQ/A, STR, STR/A, SWX/A, SX/A, SXE/A, SXE2, SXE4, SXE4/A, SXE8, SXE8/A, SXQ4, SXQ4/A, SXU, SXU/A, S1/A, VAD2, VAD2/A, VA2, VA2/A, VDE2, VDE2/A, VH12, VH12/A, VH22, VH22/A, VMX, VWA2, VWE2, VWE2/A, VW12, VW12/A, VX/A, VXE/A, VXE2, VXE2/A, VXE4, VXE6, VXE8, VXE8/A, VVK, VXQ4, VXQ4/A, VXU/A, VXU1/A, VX16, VX16/A, VX8, VX8/A |
| | | | 1 | (1) | - | 2337454 | ----- |
| | | | | - | - | ----- | BJ, ED7, ED8, ED9, EN, ES, ES1, ET, ETS, ETX, HA, HAQ, HH, HX, LH, LHC, LHE, LJ, LJG, LKE, LX, LXE, LXZ, L1, PX, P1, QA, QAE, QAP, QAPE, QAA, QE, QH, QHE, QNE, QNE9, QP, QT, QX, QXC, QXE, Q1, SDE, SE, SH, SHE, SHEZ, SJ, SJG, STP, STQ, SWX, SX, SXE, SXP, S1, VA, VAH1, VAH2, VAW1, VDE, VE, VH, VHE, VWA, VX, VXA, VXE, VXU, VXU1, V1, YJ |
| | | | | - | - | ----- | PKX4/A |
| | 18320-ZE2-W61 | | 1 | - | - | ----- | VD16, VEB6 |
| 4 | 18323-ZE3-W40 | PROTECTOR, EX. PIPE | 1 | - | - | ----- | BJ, HA, HAQ, HA2, HA2/A, LJ, LJ/A, LJG, LJG/A, LJS, LJS/A, LJS1, LT, LT/A, LWD, QA, QAC2, QAC2/A, QAE, QAE2, QAE2/A, QAE6, QAE6/A, QAG, QAG/A, QAH2, QAH2/A, QAP, QAP2, QAP2/A, QAA, QA2, QA2/A, QA26, QA26/A, QL2, QNE, QNE2, QNE2/A, QNE6, QNE9, QNE9/A, QNR2, QNR2/A, QNR6, QNR6/A, QN18, SJ, SJ/A, SJG, SJG/A, SKE, SKE/A, SKZ, SKZ/A, STR, STR/A, VA, VAD2, VAD2/A, VAH1, VAH2, VAW1, VA2, VA2/A, VDE, VDE2, VDE2/A, VH12, VH12/A, VH22, VH22/A, VW12, VW12/A, YJ |
| | | | - | (1) | - | ----- | |



E-16-1

MUFFLER(2)

2-B14



| Ref. No. | Part No. | Description | Reqd. QTY | | | Serial No. | Parts catalogue code |
|----------|---------------|----------------|-----------|-------|-----|------------|--|
| | | | GX | 340K1 | | | |
| | | | (1) | (2) | (3) | | |
| 5 | 18330-ZE2-W00 | PIPE, EX. | 1 | - | - | ----- | BJ,EDK,EDN5,EDN5/A,ED7,ED8,ED8/A,ED9,ED9/A,EN,ES,ES1,ES1/A,ES2,ETS,ETX,HA,HAQ,HA2,HA2/A,HH,HX,HX2,HX26,HX26/A,LH,LH/A,LHB1,LHB3,LHB3/A,LHB5,LHC,LHE,LHE/A,LHQ4,LHQ4/A,LJ,LJ/A,LJG,LJG/A,LJS,LJS/A,LJS1,LKE,LKE/A,LSX,LT,LT/A,LWD,LX,LX/A,LXE,LXE/A,LXE2,LXE2/A,LXE4,LXE4/A,LXE6,LXE8,LXE8/A,LXQ4,LXQ4/A,LXU,LXU/A,LXZ,LX2,LX2/A,LX26,LX26/A,PKX4,PX,PX/A,PXE8,PXE8/A,QA,QAC2,QAC2/A,QAE,QAE2,QAE2/A,QAE6,QAE6/A,QAG,QAG/A,QA2,QA2/A,QAH2,QA2/A,QAP,QAPE,QAP2,QAP2/A,QAQ,QA2,QA2/A,QA26,QA26/A,QDW9,QDW9/A,QE,QE/A,QH,QH/A,QHB3,QHB3/A,QHB5,QHC,QHE,QHE/A,QHP1,QHP1/A,QHQ4,QHQ4/A,QH2,QKA4,QKA4/A,QL2,QMED,QMED/A,QME8,QME8/A,QMH,QMH/A,QMX2,QNE,QNE2,QNE2/A,QNE6,QNE9,QNE9/A,QNR2,QNR2/A,QNR6,QNR6/A,QN18,QP,QP/A,QPE2,QT,QT/A,QTC2,QTC2/A,QWH2,QWH2/A,QX,QX/A,QXC,QXC/A,QXC4,QXC4/A,QXC6,QXC6/A,QXC9,QXC9/A,QXE,QXE/A,QXE2,QXE4,QXE4/A,QXE6,QXE6/A,QXE8,QXE8/A,QXQ4,QXQ4/A,QXU,QXU/A,QX2,SDE,SE,SE/A,SH,SH/A,SHB1,SHB3,SHB3/A,SHE,SHZ,SHQ4,SHQ4/A,SJ,SJ/A,SJG,SJG/A,SKE,SKE/A,SKZ,SKZ/A,SME0,SME0/A,SME2,SMX2,SMX2/A,STP,STP/A,STQ,STQ/A,STR,STR/A,SWX,SWX/A,SX,SX/A,SXE,SXE/A,SXE2,SXE4,SXE4/A,SXE8,SXE8/A,SXP,SXQ4,SXQ4/A,SXU,SXU/A,VA,VAD2,VAD2/A,VAH1,VAH2,VAW1,VA2,VA2/A,VDE,VDE2,VDE2/A,VD16,VE,VEB6,VH,VHE,VH12,VH12/A,VH22,VH22/A,VMX,VWA,VWA2,VWE2,VWE2/A,VW12,VW12/A,VX,VX/A,VXA,VXE,VXE/A,VXE2,VXE2/A,VXE4,VXE6,VXE8,VXE8/A,VXK,VXQ4,VXQ4/A,VXU,VXU/A,VXU1,VXU1/A,VX16,VX16/A,VX8,VX8/A,YJ |
| | | | - | (1) | 1 | | |

2

E-16-1

MUFFLER(2)

2-B15

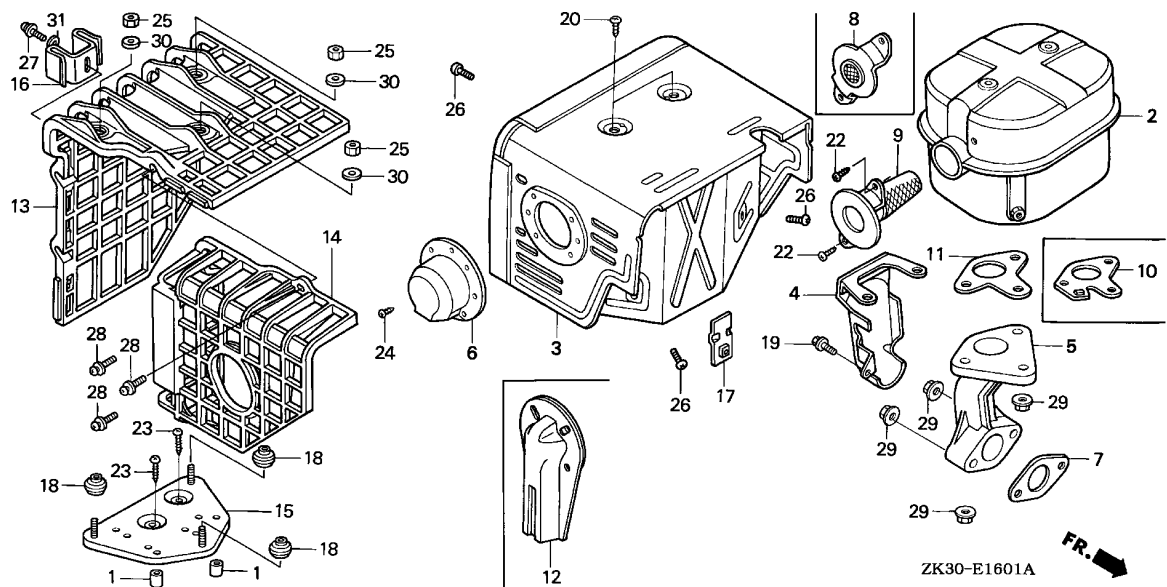
| Ref. No. | Part No. | Description | Reqd. QTY | | | Serial No. | Parts catalogue code | |
|----------|---------------|------------------------|-----------|---------|---------|---|--|--|
| | | | (1) | (2) | (3) | | | |
| 6 | 18331-ZE3-810 | CAP, MUFFLER | 1 | (1) | - | | HA,HAQ,HA2,HA2/A,LJS,LT,L1,P1,QA,QAC2,QAC2/A,QAE,QAE2,QAE2/A,QAE6,QAE6/A,QA2,QA2/A,QAP,QAPE,QAP2,QAP2/A,QAQ,QA2,QA2/A,QA26,QA26/A,QAQ,QA2,QA2/A,QA26,QA26/A,QE,QA4,QA4/A,QL2,QME8,QME8/A,QMH,QNE,QNE2,QNE2/A,QNE6,QNE9,QNE9/A,QNR2,QNR2/A,QNR6,QNR6/A,QN18,QP,QPE2,QT,QT2,QT2/A,QWH2,QWH2/A,Q1,SDE,SE,SE/A,SKE,SKZ,STP,STQ,SWX,S1,VA,VA2,VA2/A,VE,V1 | |
| | | | 1 | (1) | - | 4029421 | LJS/A,LJS1,LT/A,L1/A,P1/A,QHP1/A,QMH/A,QP/A,QT/A,Q1/A,SKE/A,SKZ/A,STP/A,STQ/A,SWX/A,S1/A | |
| | 1 | - | - | 3439437 | ----- | QHP1 | | |
| | 18331-ZE3-811 | | 1 | (1) | - | 4029422 | LJS/A,LJS1,LT/A,L1/A,P1/A,QHP1/A,QMH/A,QP/A,QT/A,Q1/A,SKE/A,SKZ/A,STP/A,STQ/A,SWX/A,S1/A | |
| 7 | 18333-ZE3-000 | GASKET, EX. PIPE | 1 | - | - | 2127684 | BJ,EN,ET,ETS,ETX,LJ,LXZ,QT,QXC,SHEZ,SJ,SWX,YJ | |
| | 18333-ZE3-800 | | 1 | - | - | 2563593 | VD16,VEB6 | |
| | | | 1 | - | - | 2582468 | ED7,ED8,ED9,ES,ES1,HA,HAQ,HA2,HH,HX,HX2,HX26,LH,LHB1,LHB3,LHC,LHE,LHQ4,LJG,LKE,LP,LX,LXE,LXE2,LXE4,LXE6,LXQ4,LX2,LX26,PX,QA,QAE,QAE2,QAE6,QAP,QAPE,QAP2,QAQ,QA2,QA26,QDW9,QE,QH,QHB3,QHC,QHE,QHQ4,QH2,QMEO,QNE,QNE2,QNE6,QNE9,QNR2,QNR6,QN18,QP,QPE2,QT,QT2,QXC4,QXC6,QXC9,QXE,QXE2,QXE4,QXE6,QXQ4,QX2,SDE,SE,SH,SHB1,SHB3,SHE,SHQ4,SJG,SKZ,SMEO,SME2,SMX2,STP,STQ,STR,SX,SXE,SXE2,SXE4,SXP,SXQ4,VA,VAD2,VAH1,VAH2,VAW1,VA2,VDE,VDE2,VE,VH,VHE,VH12,VH22,VWA,VWA2,VWE2,VW12,VX,VXA,VXE,VXE2,VXE4,VXE6,VXQ4,VXU,VXU1,VX16 | |
| | | 1 | - | - | 2127685 | 2582468 BJ,EN,ET,ETS,ETX,LJ,LXZ,QT,QXC,SHEZ,SJ,SWX,YJ | | |
| | 18333-ZK6-Y00 | | 1 | (1) | - | | | |
| | | | 1 | - | - | 2563594 | ----- | VD16,VEB6 |
| | | | 1 | - | - | 2582469 | ----- | BJ,EN,ES,ET,ETS,ETX,HA,HAQ,HH,HX,LHB1,LHC,LXZ,QA,QAE,QAP,QAPE,QAQ,QHC,QNE,QNE6,SHEZ,SME2,SXE2,SXP,VA,VAH1,VAH2,VAW1,VDE,VE,VHE,VWA,VXA,VXE6,YJ |
| | | | 1 | - | - | 3030997 | ----- | EDN5,LSX,LXE8,LXU,PKX4,PXE8,QA2,QHP1,QA4,QME8,QMH,QMX2,QXE8,QXU,SKE,SXE8,SXU,VMX,VXE8,VX8 |
| | | | 1 | - | - | 2582469 | 3030997 ED7,ED8,ED9,ES1,HA2,HX2,HX26,LH,LHB3,LHE,LHQ4,LJ,LJG,LKE,LP,LX,LXE,LXE2,LXE4,LXE6,LXQ4,LX2,LX26,PX,QA2,QAE6,QAP2,QA2,QA26,QDW9,QE,QH,QHB3,QHE,QHQ4,QH2,QMEO,QNE2,QNR2,QNR6,QN18,QP,QPE2,QT,QT2,QX,QXC,QXC4,QXC6,QXC9,QXE,QXE2,QXE4,QXE6,QXQ4,QX2,SDE,SE,SH,SHB1,SHB3,SHE,SHQ4,SJ,SJG,SKZ,SMEO,SMX2,STP,STQ,STR,SWX,SX,SXE,SXE4,SXQ4,VAD2,VA2,VDE2,VH,VH12,VH22,VWA2,VWE2,VW12,VX,VXE,VXE2,VXE4,VXQ4,VXU,VXU1,VX16 | |
| | | | 1 | - | - | 2582469 | 3334263 QNE9 | |

2

E-16-1

MUFFLER(2)

2-B16



| Ref. No. | Part No. | Description | Reqd. QTY | | | Serial No. | Parts catalogue code |
|----------|---------------|------------------------|-----------|-------|-----|------------|--|
| | | | GX | 340K1 | | | |
| | | | (1) | (2) | (3) | | |
| (7) | 18333-ZF6-W01 | GASKET, EX. PIPE | 1 | - | - | ----- | EDK,EDN5/A,ED8/A,ED9/A,ES1/A,ES2,HA2/A,HX26/A,LH/A,LHB3/A,LHB5 LHE/A,LHQ4/A,LJ/A,LJG/A,LJS,LJS/A,LJS1,LKE/A,LT,LT/A,LWD,LX/A LX/A,LXE2/A,LXE4/A,LXE8/A,LXQ4/A,LXU/A,LX2/A,LX26/A,PX/A,PXE8/A QAC2,QAC2/A,QAE2/A,QAE6/A,QAG,QAG/A,QA2/A,QAP2/A,QA2/A,QA26/A QDW9/A,QE/A,QH/A,QHB3/A,QHB5,QHE/A,QHP1/A,QHQ4/A,QKA4/A,QL2 QME0/A,QME8/A,QMH/A,QNE2/A,QNE9/A,QNR2/A,QNR6/A,QP/A,QT/A,QTC2/A QWH2,QWH2/A,QX/A,QXC/A,QXC4/A,QXC6/A,QXC9/A,QXE/A,QXE4/A,QXE6/A QXE8/A,QXQ4/A,QXU/A,SE/A,SH/A,SHB3/A,SHQ4/A,SJ/A,SJG/A,SKE/A SKZ/A,SMEO/A,SMX2/A,STP/A,STQ/A,STR/A,SWX/A,SX/A,SXE/A,SXE4/A SXE8/A,SXQ4/A,SXU/A,VAD2/A,VA2/A,VDE2/A,VH12/A,VH22/A,VWE2/A VW12/A,VX/A,VXE/A,VXE2/A,VXE8/A,VXK,VXQ4/A,VXU/A,VXU1/A,VX16/A VX8/A |
| | | | 1 | - | - | 3030998 | ----- EDN5,ED7,ED8,ED9,ES1,HA2,HX2,LH,LHB3,LHE,LHQ4,LJ,LJG,LKE,LSX LX,LXE,LXE2,LXE4,LXE6,LXE8,LXQ4,LXU,LX2,LX26,PKX4,PX,PXE8,QAE2 QAE6,QA2,QAP2,QA2,QA26,QDW9,QE,QH,QHB3,QHE,QHP1,QHQ4,QKA4,QME0 QME8,QMH,QMX2,QNE2,QNR2,QNR6,QN18,QP,QPE2,QT,QTC2,QX,QXC,QXC4 QXC6,QXC9,QXE,QXE2,QXE4,QXE6,QXE8,QXQ4,QXU,SDE,SE,SH,SHB1,SHB3 SHE,SHQ4,SJ,SJG,SKE,SKZ,SMEO,SMX2,STP,STQ,STR,SWX,SX,SXE,SXE4 SXE8,SXQ4,SXU,VAD2,VA2,VDE2,VH,VH12,VH22,VMX,VMA2,VWE2,VW12,VX VXE,VXE2,VXE4,VXE8,VXQ4,VXU,VXU1,VX16,VX8 |
| | | | 1 | - | - | 3334264 | ----- QNE9 |
| | | | 1 | - | - | 3681345 | ----- PKX4/A |
| | | | - | - | 1 | | |

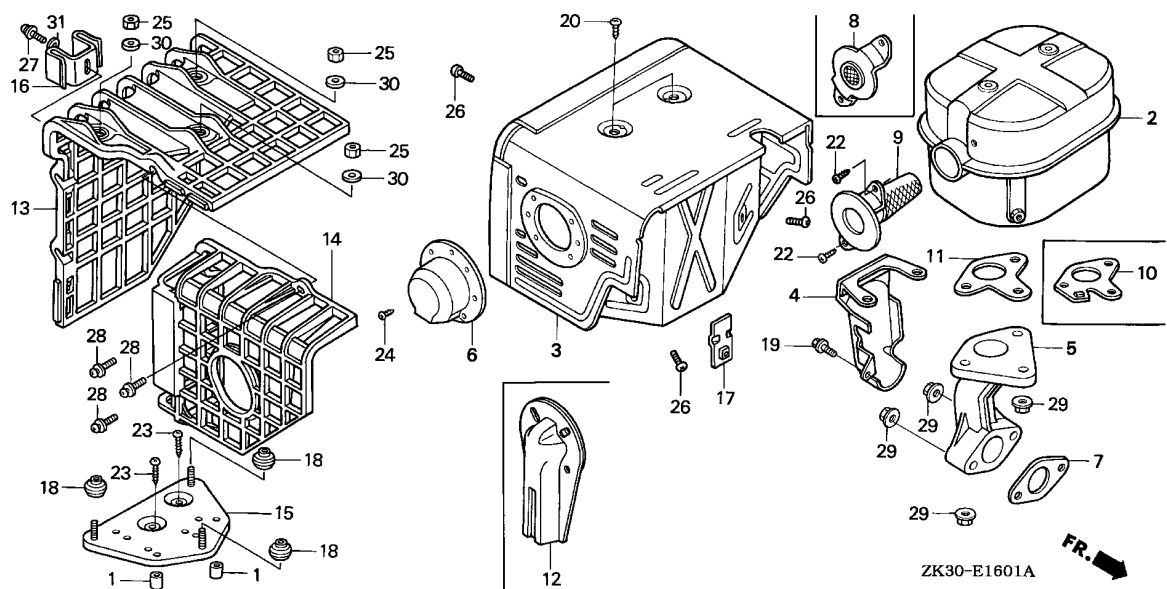
| Ref. No. | Part No. | Description | Reqd. QTY | | | Serial No. | Parts catalogue code | |
|----------|---------------|-------------------------------|-----------|-----|-----|------------|--|---|
| | | | (1) | (2) | (3) | | | |
| 8 | 18336-ZE3-000 | FLANGE COMP., BAFFLE | 1 | - | - | ----- | BJ, EDN5, EDN5/A, ED7, ED8, ED8/A, EN, ES, ES1/A, ES2, ET, ETS, ETX, HH, HX, HX2, HX26, HX26/A, LH, LH/A, LHB1, LHB3, LHB3/A, LHB5, LHC, LHE, LHE/A, LHQ4, LHQ4/A, LJ, LJ/A, LJG, LJG/A, LKE, LKE/A, LSX, LT, LT/A, LWD, LX, LX/A, LXE, LXE/A, LXE2, LXE2/A, LXE4, LXE4/A, LXE6, LXE8, LXE8/A, LXQ4, LXQ4/A, LXU, LXU/A, LXZ, LXZ/A, LX26, LX26/A, PKX4, PX, PX/A, PXE8, PXE8/A, QAPE, QH, QH/A, QHB3, QHB3/A, QHB5, QHC, QHE, QHE/A, QHP1, QHP1/A, QHQ4, QHQ4/A, QH2, QL2, QME0, QME0/A, QME8, QME8/A, QMH, QMH/A, QNE, QNE2, QNE2/A, QNE6, QNE9, QNE9/A, QNR2, QNR2/A, QNR6, QNR6/A, QN18, QP, QP/A, QPE2, QT, QT/A, QWH2, QWH2/A, QX, QX/A, QXC, QXC/A, QXC4, QXC4/A, QXC6, QXC6/A, QXC9, QXC9/A, QXE, QXE/A, QXE2, QXE4, QXE4/A, QXE6, QXE6/A, QXE8, QXE8/A, QXQ4, QXQ4/A, QXU, QXU/A, QX2, SDE, SH, SH/A, SHB1, SHB3, SHB3/A, SHE, SHEZ, SHQ4, SHQ4/A, SJ, SJ/A, SJG, SJG/A, SKE, SKE/A, SKZ, SKZ/A, SME0, SME0/A, STR, STR/A, SWX, SWX/A, SX, SX/A, SXE, SXE/A, SXE2, SXE4, SXE4/A, SXE8, SXE8/A, SXP, SXQ4, SXQ4/A, SXU, SXU/A, VH, VHE, VMX, VX, VX/A, VXA, VXE, VXE/A, VXE2, VXE2/A, VX4, VX4/A, VX6, VX6/A, VXE8, VX8/A, VXX, VXQ4, VXQ4/A, VXU, VXU/A, VXU1, VXU1/A, VX16, VX16/A, VX8, VX8/A, YJ | |
| | | | 1 | - | - | 2589846 | ----- | ES1 |
| | | | - | (1) | 1 | ----- | 3681345 | PKX4/A |
| 9 | 18355-ZE3-010 | ARRESTER, SPARK | 1 | - | - | ----- | ----- | EDK, ED9, ED9/A, HA, HAQ, HA2, HA2/A, LJS, LJS/A, LJS1, QA, QAC2, QAC2/A, QAE, QAE2, QAE2/A, QAE6, QAE6/A, QAG, QAG/A, QAH2, QAH2/A, QAP, QAP2, QAP2/A, QAQ, QA2, QA2/A, QA26, QA26/A, QDW9, QDW9/A, QE, QE/A, QKA4, QKA4/A, QMX2, QTC2, QTC2/A, SE, SE/A, SME2, SMX2, SMX2/A, STP, STP/A, STQ, STQ/A, VA, VAD2, VAD2/A, VAH1, VAH2, VAW1, VA2, VA2/A, VDE, VDE2, VDE2/A, VE, VH12, VH12/A, VH22, VH22/A, VWA, VWA2, VWE2, VWE2/A, VW12, VW12/A |
| | | | 1 | - | - | ----- | 2589845 | ES1 |
| | | | (1) | - | - | ----- | ----- | HH, HX, HX2, HX26, HX26/A, LSX, LX, LX/A, LXQ4, LXQ4/A, LXU, LXU/A, LX2, LX2/A, LX26, LX26/A, QAPE, QL2, QNE, QNE2, QNE2/A, QNE6, QNE9, QNE9/A, QNR2, QNR2/A, QNR6, QNR6/A, QN18, QPE2, QWH2, QWH2/A, QXC, QXC/A, QXC4, QXC4/A, QXC6, QXC6/A, QXC9, QXC9/A |
| | 18355-ZE2-W00 | | 1 | - | - | ----- | ----- | VD16, VEB6 |
| 10 | 18381-ZE2-W10 | GASKET, MUFFLER (ARRESTER) .. | 1 | - | - | ----- | ----- | EDK, ED9, ED9/A, HA, HAQ, HA2, HA2/A, LJS, LJS/A, LJS1, QA, QAC2, QAC2/A, QAE, QAE2, QAE2/A, QAE6, QAE6/A, QAG, QAG/A, QAH2, QAH2/A, QAP, QAP2, QAP2/A, QAQ, QA2, QA2/A, QA26, QA26/A, QDW9, QDW9/A, QE, QE/A, QKA4, QKA4/A, QMX2, QTC2, QTC2/A, SE, SE/A, SME2, SMX2, SMX2/A, STP, STP/A, STQ, STQ/A, VA, VAD2, VAD2/A, VAH1, VAH2, VAW1, VA2, VA2/A, VDE, VDE2, VDE2/A, VD16, VE, VEB6, VH12, VH12/A, VH22, VH22/A, VWA, VWA2, VWE2, VWE2/A, VW12, VW12/A |
| | | | 1 | - | - | ----- | 2589845 | ES1 |
| | | | (1) | - | - | ----- | ----- | HH, HX, HX2, HX26, HX26/A, LSX, LX, LX/A, LXQ4, LXQ4/A, LXU, LXU/A, LX2, LX2/A, LX26, LX26/A, QAPE, QNE, QWH2, QWH2/A, QXC, QXC/A, QXC4, QXC4/A, QXC6, QXC6/A, QXC9, QXC9/A |
| | | | - | 1 | - | ----- | ----- | |



E-16-1

MUFFLER(2)

2-C 2



| Ref. No. | Part No. | Description | Reqd. QTY GX 340K1 (1) (2) (3) | Serial No. | Parts catalogue code |
|----------|---------------|--------------------------------------|---|------------|--|
| 11 | 18381-ZE2-800 | GASKET, MUFFLER (NIPPON LEAKLESS) | 1 | - - - - - | BJ, EDN5, EDN5/A, ED7, ED8, ED8/A, EN, ES, ES1/A, ES2, ET, ETS, ETX, HH, HX, HX2, HX26, HX26/A, LH, LH/A, LHB1, LHB3, LHB3/A, LHB5, LHC, LHE, LHE/A, LHQ4, LHQ4/A, LJ, LJ/A, LJG, LJG/A, LKE, LKE/A, LSX, LT, LT/A, LWD, LX, LX/A, LXE, LXE/A, LXE2, LXE2/A, LXE4, LXE4/A, LXE6, LXE8, LXE8/A, LXQ4, LXQ4/A, LXU, LXU/A, LXZ, LX2, LX2/A, LX26, LX26/A, PKX4, PX, PX/A, PXE8, PXE8/A, QAPE, QH, QH/A, QHB3, QHB3/A, QHB5, QHC, QHE, QHE/A, QHP1, QHP1/A, QHQ4, QHQ4/A, QH2, QL2, QMED, QMED/A, QME8, QME8/A, QMH, QMH/A, QNE, QNE2, QNE2/A, QNE6, QNE9, QNE9/A, QNR2, QNR2/A, QNR6, QNR6/A, QN18, QP, QP/A, QPE2, QT, QT/A, QX, QX/A, QXC, QXC/A, QXC4, QXC4/A, QXC6, QXC6/A, QXC9, QXC9/A, QXE, QXE/A, QXE2, QXE4, QXE4/A, QXE6, QXE6/A, QXE8, QXE8/A, QXQ4, QXQ4/A, QXU, QXU/A, QX2, SDE, SH, SH/A, SHB1, SHB3, SHB3/A, SHE, SHEZ, SHQ4, SHQ4/A, SJ, SJ/A, SJG, SJG/A, SKE, SKE/A, SKZ, SKZ/A, SMEO, SMEO/A, STR, STR/A, SWX, SWX/A, SX, SX/A, SXE, SXE/A, SXE2, SXE4, SXE4/A, SXE8, SXE8/A, SXP, SXQ4, SXQ4/A, SXU, SXU/A, VH, VHE, VMX, VX, VX/A, VXA, VXE, VXE/A, VXE2, VXE2/A, VXE4, VXE6, VXE8, VXE8/A, VXX, VXQ4, VXQ4/A, VXU, VXU/A, VXU1, VXU1/A, VX16, VX16/A, VX8, VX8/A, YJ |
| | | | 1 | 2589846 | ES1 |
| | | | 1 | 3681345 | PKX4/A |
| | | | (1) | - - - - - | QWH2, QWH2/A |
| | | | - (1) | 1 | |
| 12 | 18430-ZF6-W50 | DEFLECTOR COMP., MUFFLER | (1) | - - - - - | QE, QE/A, QKA4, QKA4/A, SE, SE/A |
| 13 | 18433-ZF6-W40 | COVER COMP., MUFFLER | (1) | (1) | LHQ4, LHQ4/A, LKE/A, LXE4, LXE4/A, LXQ4, LXQ4/A, PKX4, PKX4/A, QE, QE/A, QHQ4, QHQ4/A, QKA4, QKA4/A, QMED, QMED/A, QME8, QME8/A, QXC4, QXC4/A, QXE4, QXE4/A, QXQ4, QXQ4/A, SE, SE/A, SHQ4, SHQ4/A, SMEO, SMEO/A, SXE4, SXE4/A, SXQ4, SXQ4/A, VD16, VEB6, VXE4, VXQP, VXQ4, VXQ4/A |
| | | | (1) | 2398545 | LKE |

2

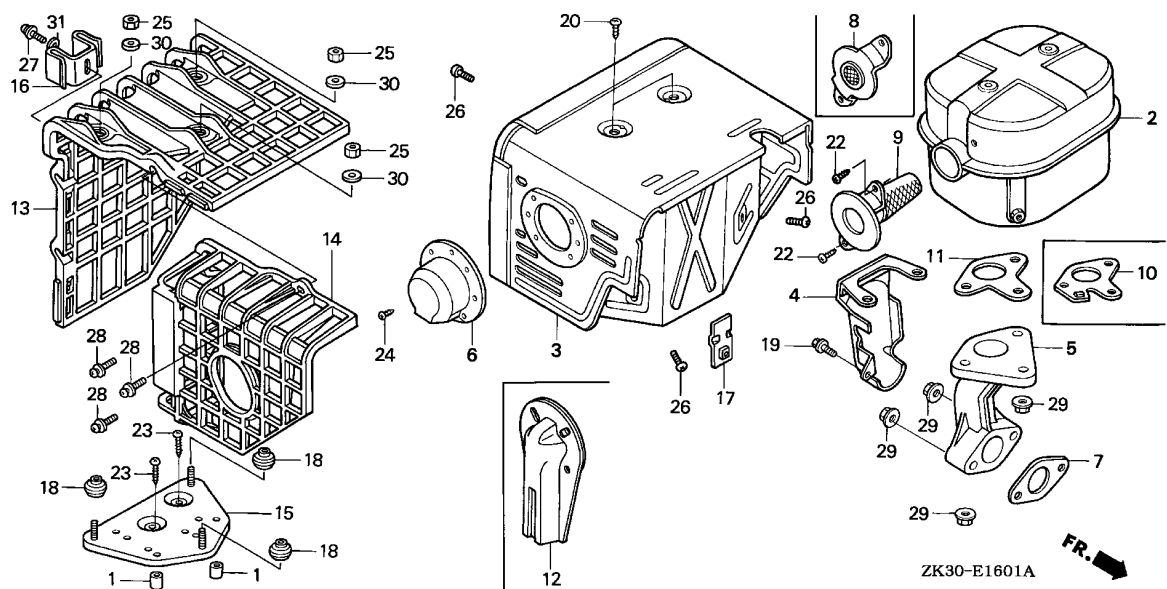
| Ref. No. | Part No. | Description | Reqd. QTY | | | Serial No. | Parts catalogue code |
|----------|---------------|---------------------------|-----------|-----|-----|---------------|--|
| | | | (1) | (2) | (3) | | |
| 14 | 18434-ZF6-W40 | COVER COMP., RR. MUFFLER | (1) | - | (1) | ----- | LHQ4, LHQ4/A, LKE/A, LXE4, LXE4/A, LXQ4, LXQ4/A, PKX4, PKX4/A, QE, QE/A, QHQ4, QHQ4/A, QKA4, QKA4/A, QMEO, QMEO/A, QME8, QME8/A, QXC4, QXC4/A, QXE4, QXE4/A, QXQ4, QXQ4/A, SE, SE/A, SHQ4, SHQ4/A, SMEO, SMEO/A, SXE4, SXE4/A, SXQ4, SXQ4/A, VD16, VEB6, VXE4, VXQP, VXQ4, VXQ4/A |
| 15 | 18436-ZH8-W40 | BASE COMP., MUFFLER COVER | (1) | - | (1) | 2398545 ----- | LKE LHQ4, LHQ4/A, LKE/A, LXE4, LXE4/A, LXQ4, LXQ4/A, PKX4, PKX4/A, QE, QE/A, QHQ4, QHQ4/A, QKA4, QKA4/A, QMEO, QMEO/A, QME8, QME8/A, QXC4, QXC4/A, QXE4, QXE4/A, QXQ4, QXQ4/A, SE, SE/A, SHQ4, SHQ4/A, SMEO, SMEO/A, SXE4, SXE4/A, SXQ4, SXQ4/A, VD16, VEB6, VXE4, VXQP, VXQ4, VXQ4/A |
| 16 | 18437-ZF6-W40 | STAY, MUFFLER COVER | (1) | - | (1) | ----- | LHQ4, LHQ4/A, LKE/A, LXE4, LXE4/A, LXQ4, LXQ4/A, PKX4, PKX4/A, QE, QE/A, QHQ4, QHQ4/A, QKA4, QKA4/A, QMEO, QMEO/A, QME8, QME8/A, QXC4, QXC4/A, QXE4, QXE4/A, QXQ4, QXQ4/A, SE, SE/A, SHQ4, SHQ4/A, SMEO, SMEO/A, SXE4, SXE4/A, SXQ4, SXQ4/A, VD16, VEB6, VXE4, VXQP, VXQ4, VXQ4/A |
| 17 | 18438-ZF6-W40 | PLATE, SET | (1) | - | (1) | 2398545 ----- | LKE LHQ4, LHQ4/A, LKE/A, LXE4, LXE4/A, LXQ4, LXQ4/A, PKX4, PKX4/A, QE, QE/A, QHQ4, QHQ4/A, QKA4, QKA4/A, QMEO, QMEO/A, QME8, QME8/A, QXC4, QXC4/A, QXE4, QXE4/A, QXQ4, QXQ4/A, SE, SE/A, SHQ4, SHQ4/A, SMEO, SMEO/A, SXE4, SXE4/A, SXQ4, SXQ4/A, VD16, VEB6, VXE4, VXQP, VXQ4, VXQ4/A |
| 18 | 18466-ZH8-W40 | SPACER, MUFFLER COVER | (1) | - | (3) | 2398545 ----- | LKE LHQ4, LHQ4/A, LKE/A, LXE4, LXE4/A, LXQ4, LXQ4/A, PKX4, PKX4/A, QE, QE/A, QHQ4, QHQ4/A, QKA4, QKA4/A, QMEO, QMEO/A, QME8, QME8/A, QXC4, QXC4/A, QXE4, QXE4/A, QXQ4, QXQ4/A, SE, SE/A, SHQ4, SHQ4/A, SMEO, SMEO/A, SXE4, SXE4/A, SXQ4, SXQ4/A, VD16, VEB6, VXE4, VXQP, VXQ4, VXQ4/A |
| 19 | 90013-883-000 | BOLT, FLANGE, 6X12(CT200) | (3) | - | (1) | 2398545 ----- | LKE HAQ, HA2, HA2/A, LJS, LJS/A, LJS1, LT, LT/A, LWD, QAC2, QAC2/A, QAE2, QAE2/A, QAE6, QAE6/A, QAG, QAG/A, QAP2, QAP2/A, QAQ, QA2, QA2/A, QA26, QA26/A, QNE2, QNE2/A, QNE6, QNE9, QNE9/A, QNR2, QNR2/A, QNR6, QNR6/A, VAD2, VAD2/A, VA2, VA2/A, VDE2, VDE2/A, VH12, VH12/A, VH22, VH22/A, VW12, VW12/A |
| 20 | 90050-ZE1-000 | SCREW, TAPPING, 5X8 | 2 | - | (2) | ----- | 2644833 HA, QA, QAE, QAP, QNE, QN18, VA, VAH1, VAH2, VAW1, VDE BJ, EDK, EDN5, EDN5/A, ED7, ED8, ED8/A, ED9, ED9/A, EN, ES, ES1, ES1/A, ES2, ET, ETS, ETX, HA, HAQ, HA2, HA2/A, HH, HX, HX2, HX26, HX26/A, LH, LH/A, LHB1, LHB3, LHB3/A, LHB5, LHC, LHE, LHE/A, LHQ4, LHQ4/A, LJ, LJ/A, LJG, LJG/A, LJS, LJS/A, LJS1, LKE, LKE/A, LSX, LT, LT/A, LWD, LX, LX/A, LXE, LXE/A, LXE2, LXE2/A, LXE4, LXE4/A, LXE6, LXE8, LXE8/A, LXQ4, LXQ4/A, LXU, LXU/A, LXZ, LX2, LX2/A, LX26, LX26/A, PKX4, PX, PX/A, PXE8, PXE8/A, QA, QAC2, QAC2/A, QAE, QAE2, QAE2/A, QAE6, QAE6/A, QAG, QAG/A, QAH2, QAH2/A, QAP, QAPE, QAP2, QAP2/A, QAQ, QA2, QA2/A, QA26, QA26/A, QDW9, QDW9/A, QE, QE/A, QH, QH/A, QHB3, QHB3/A, QHB5, QHC, QHE, QHE/A, QHP1, QHP1/A, QHQ4, QHQ4/A, QH2, QKA4, QKA4/A, QL2, QMEO, QMEO/A, QME8, QME8/A, QMH, QMH/A, QMX2, QNE, QNE2, QNE2/A, QNE6, QNE9, QNE9/A, QNR2, QNR2/A, QNR6, QNR6/A, QN18, QP, QP/A, QPE2, QT, QT/A, QTC2, QTC2/A, QWH2, QWH2/A, QX, QX/A, QXC, QXC/A, QXC4, QXC4/A, QXC6, QXC6/A, QXC9, QXC9/A, QXE, QXE/A, QXE2, QXE4, QXE4/A, QXE6, QXE6/A, QXE8, QXE8/A, QXQ4, QXQ4/A, QXU, QXU/A, QX2, SDE, SE, SE/A, SH, SH/A, SHB1, SHB3, SHB3/A, SHE, SHEZ, SHQ4, SHQ4/A, SJ, SJ/A, SJG, SJG/A, SKE, SKE/A, SKZ, SKZ/A, SMEO, SMEO/A, SME2, SMX2, SMX2/A, STP, STP/A, STQ, STQ/A, STR, STR/A, SWX, SWX/A, SX, SX/A, SXE, SXE/A, SXE2, SXE4, SXE4/A, SXE8, SXE8/A, SXP, SXQ4, SXQ4/A, SXU, SXU/A, VA, VAD2, VAD2/A, VAH1, VAH2, VAW1, VA2, VA2/A, VDE, VDE2, VDE2/A, VD16, VE, VEB6, VH, VHE, VH12, VH12/A, VH22, VH22/A, VMX, VWA, VWA2, VWE2, VWE2/A, VW12, VW12/A, VX, VX/A, VXA, VXE, VXE/A, VXE2, VXE2/A, VXE4, VXE6, VXE8, VXE8/A, VXK, VXQ4, VXQ4/A, VXU, VXU/A, VXU1, VXU1/A, VX16, VX16/A, VX8, VX8/A, YJ |
| | | | 2 | - | (2) | ----- | 3681345 PKX4/A |



E-16-1

MUFFLER(2)

2-C 4



2

| Ref. No. | Part No. | Description | Reqd. QTY | | | Serial No. | Parts catalogue code |
|----------|---------------|----------------------|-----------|-----|-----|------------|--|
| | | | GX | (1) | (2) | | |
| 22 | 90050-ZE1-000 | SCREW, TAPPING, 5X8 | 2 | - | - | ----- | BJ,EDK,ED9,ED9/A,ES2,LHB5,LJ,LJ/A,LJG,LJG/A,LJS,LJS/A,LJS1,LT LT/A,LWD,QA,QAC2,QAC2/A,QAE,QAE6,QAE6/A,QAG,QAG/A,QA2,QA2/A QA26,QA26/A,QE,QE/A,QHB5,QKA4,QKA4/A,QL2,QMX2,QNR2,QNR2/A,QTC2 QTC2/A,QWH2,QWH2/A,SDE,SE,SE/A,SJ,SJ/A,SJG,SJG/A,SKE,SKE/A,SKZ SKZ/A,STP,STP/A,STQ,STQ/A,STR,STR/A,VA,VDE2,VDE2/A,VD16,VE,VEB6 VW12,VW12/A,VXK,YJ |
| | | | 2 | - | - | ----- | 2589845 ES1 |
| | | | 2 | - | - | ----- | 3681345 PKX4/A |
| | | | (2) | - | - | ----- | HH,HX,HX26,HX26/A,LSX,LX,LX/A,LXQ4,LXQ4/A,LXU,LXU/A,LX26,LX26/A QNE,QNE6,QNR6,QNR6/A,QXC,QXC/A,QXC4,QXC4/A,QXC6,QXC6/A,SMX2 SMX2/A |
| 23 | 90050-ZH8-W40 | SCREW, TAPPING, 5X25 | - | (2) | - | ----- | LHQ4,LHQ4/A,LKE/A,LXE4,LXE4/A,LXQ4,LXQ4/A,PKX4,PKX4/A,QE,QE/A QH4,QH4/A,QKA4,QKA4/A,QMEO,QMEO/A,QME8,QME8/A,QXC4,QXC4/A,QXE4 QXE4/A,QXQ4,QXQ4/A,SE,SE/A,SHQ4,SHQ4/A,SME0,SME0/A,SXE4,SXE4/A SXQ4,SXQ4/A,VD16,VEB6,VXE4,VXQP,VXQ4,VXQ4/A |
| 24 | 90055-ZE1-000 | SCREW, TAPPING, 4X6 | (2) | - | - | 2398545 | ----- |
| | | | 3 | - | - | ----- | LKE |
| | | | 3 | - | - | 3439437 | ----- |
| | | | - | (3) | - | ----- | HA,HAQ,HA2,HA2/A,LJS,LJS/A,LJS1,LT,LT/A,QA,QAC2,QAC2/A,QAE,QAE2 QAE2/A,QAE6,QAE6/A,QA2,QA2/A,QAP,QAPE,QAP2,QAP2/A,QAQ,QA2,QA2/A QA26,QA26/A,QE,QE/A,QHP1/A,QKA4,QKA4/A,QL2,QME8,QME8/A,QMH,QMH/A QNE,QNE2,QNE2/A,QNE6,QNE9,QNE9/A,QNR2,QNR2/A,QNR6,QNR6/A,QN18,QP QP/A,QPE2,QT,QT/A,QTC2,QTC2/A,QWH2,QWH2/A,SDE,SE,SE/A,SKE,SKE/A SKZ,SKZ/A,STP,STP/A,STQ,STQ/A,SWX,SWX/A,VA,VA2,VA2/A,VE |

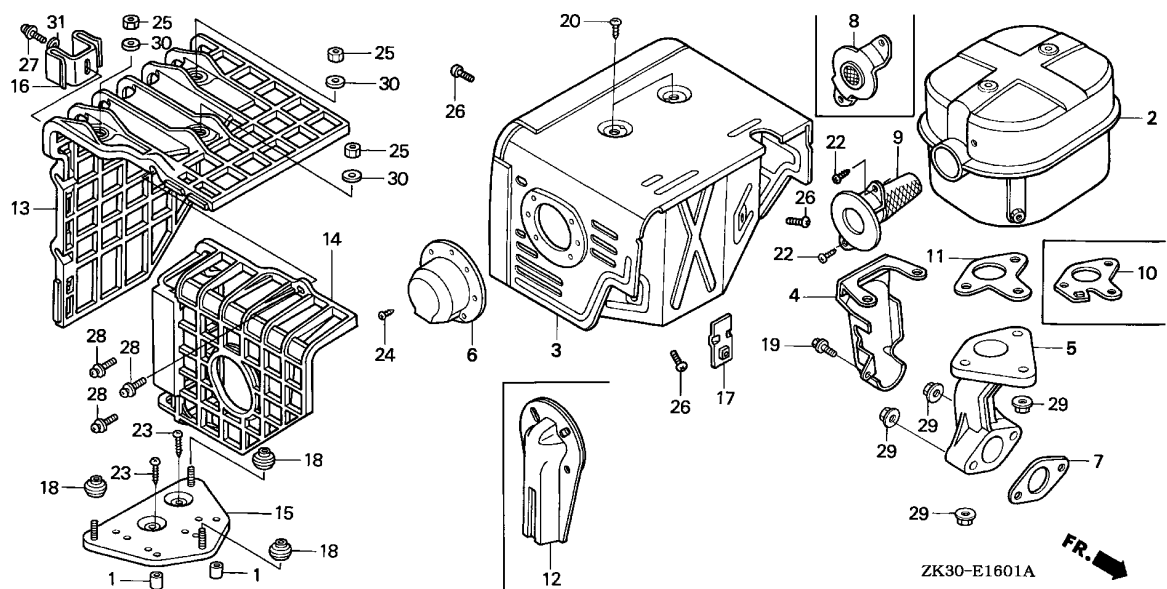
| Ref. No. | Part No. | Description | Reqd. QTY | | | Serial No. | Parts catalogue code | |
|----------|----------------|--------------------------|-----------|-----|-----|------------|---|---|
| | | | (1) | (2) | (3) | | | |
| 25 | 90302-KF9-900 | NUT, HEX., 5MM | (3) | - | (3) | ----- | LHQ4, LHQ4/A, LKE/A, LXE4, LXE4/A, LXQ4, LXQ4/A, PKX4, PKX4/A, QE, QE/A, QHQ4, QHQ4/A, QKA4, QKA4/A, QMEO, QMEO/A, QME8, QME8/A, QXC4, QXC4/A, QXE4, QXE4/A, QXQ4, QXQ4/A, SE, SE/A, SHQ4, SHQ4/A, SMEO, SMEO/A, SXE4, SXE4/A, SXQ4, SXQ4/A, VD16, VEB6, VXE4, VXQP, VXQ4, VXQ4/A | |
| | | | (3) | - | - | 2398545 | ----- | LKE |
| 26 | 93500-06006-4J | SCREW, PAN, 6X6 | 3 | (3) | - | ----- | 2167646 | BJ, ED7, ED8, ED9, EN, ES, ES1, ET, ETS, ETX, HA, HH, HX, LH, LHC, LHE, LJ, LKE, LX, LXE, LXZ, L1, PX, P1, QA, QAE, QAP, QAPE, QE, QH, QHC, QHE, QNE, QP, QT, QX, QXC, QXE, Q1, SE, SH, SHE, SHEZ, SJ, STP, STQ, SWX, SX, SXE, SXP, S1, VA, VAH1, VAH2, VE, VH, VHE, VX, VXA, VXE, V1, YJ |
| | 93500-06006-0B | | 3 | (3) | - | ----- | ----- | EDK, EDN5, EDN5/A, ED8/A, ED9/A, ES1/A, ES2, HAQ, HA2, HA2/A, HX2, HX26, HX26/A, LH/A, LHB1, LHB3, LHB3/A, LHB5, LHE/A, LHQ4, LHQ4/A, LJ/A, LJG, LJG/A, LJS, LJS/A, LJS1, LKE/A, LSX, LT, LT/A, LWD, LX/A, LXE/A, LXE2, LXE2/A, LXE4, LXE4/A, LXE6, LXE8, LXE8/A, LXQ4, LXQ4/A, LXU, LXU/A, LX2, LX2/A, LX26, LX26/A, L1/A, PKX4, PX/A, PXE8, PXE8/A, P1/A, QAC2, QAC2/A, QAE2, QAE2/A, QAE6, QAE6/A, QAG, QAG/A, QAH2, QAH2/A, QAP2, QAP2/A, QAQ, QA2, QA2/A, QA26, QA26/A, QDW9, QDW9/A, QE/A, QH/A, QHB3, QHB3/A, QHB5, QHE/A, QHP1, QHP1/A, QHQ4, QHQ4/A, QH2, QKA4, QKA4/A, QL2, QMEO, QMEO/A, QME8, QME8/A, QMH, QMH/A, QMX2, QNE2, QNE2/A, QNE6, QNE9, QNE9/A, QNR2, QNR2/A, QNR6, QNR6/A, QN18, QP/A, QPE2, QT/A, QTC2, QTC2/A, QWH2, QWH2/A, QX/A, QXC/A, QXC4, QXC4/A, QXC6, QXC6/A, QXC9, QXC9/A, QXE/A, QXE2, QXE4, QXE4/A, QXE6, QXE6/A, QXE8, QXE8/A, QXQ4, QXQ4/A, QXU, QXU/A, QX2, Q1/A, SDE, SE/A, SH/A, SHB1, SHB3, SHB3/A, SHQ4, SHQ4/A, SJ/A, SJG, SJG/A, SKE, SKE/A, SKZ, SKZ/A, SMEO, SMEO/A, SME2, SMX2, SMX2/A, STP/A, STQ/A, STR, STR/A, SWX/A, SX/A, SXE/A, SXE2, SXE4, SXE4/A, SXE8, SXE8/A, SXQ4, SXQ4/A, SXU, SXU/A, S1/A, VAD2, VAD2/A, VAW1, VA2, VA2/A, VDE, VDE2, VDE2/A, VH12, VH12/A, VH22, VH22/A, VMX, VWA, VWA2, VWE2, VWE2/A, VW12, VW12/A, VX/A, VXE/A, VXE2, VXE2/A, VXE4, VXE6, VXE8, VXE8/A, VXX, VXQ4, VXQ4/A, VXU, VXU/A, VXU1, VXU1/A, VX16, VX16/A, VX8, VX8/A |
| | | | 3 | (3) | - | 2167647 | ----- | BJ, ED7, ED8, ED9, EN, ES, ES1, ET, ETS, ETX, HA, HH, HX, LH, LHC, LHE, LJ, LKE, LX, LXE, LXZ, L1, PX, P1, QA, QAE, QAP, QAPE, QE, QH, QHC, QHE, QNE, QP, QT, QX, QXC, QXE, Q1, SE, SH, SHE, SHEZ, SJ, STP, STQ, SWX, SX, SXE, SXP, S1, VA, VAH1, VAH2, VE, VH, VHE, VX, VXA, VXE, V1, YJ |
| | | | 3 | - | - | ----- | 3681345 | PKX4/A |
| | | | - | - | 3 | | | |
| 27 | 93891-05012-00 | SCREW-WASHER, 5X12 | (1) | - | (1) | ----- | ----- | LHQ4, LHQ4/A, LKE/A, LXE4, LXE4/A, LXQ4, LXQ4/A, PKX4, PKX4/A, QE, QE/A, QHQ4, QHQ4/A, QKA4, QKA4/A, QMEO, QMEO/A, QME8, QME8/A, QXC4, QXC4/A, QXE4, QXE4/A, QXQ4, QXQ4/A, SE, SE/A, SHQ4, SHQ4/A, SMEO, SMEO/A, SXE4, SXE4/A, SXQ4, SXQ4/A, VD16, VEB6, VXE4, VXQP, VXQ4, VXQ4/A |
| | | | (1) | - | - | 2398545 | ----- | LKE |
| 28 | 93891-06020-07 | SCREW-WASHER, 6X20 | (3) | - | (3) | ----- | ----- | LHQ4, LHQ4/A, LKE/A, LXE4, LXE4/A, LXQ4, LXQ4/A, PKX4, PKX4/A, QE, QE/A, QHQ4, QHQ4/A, QKA4, QKA4/A, QMEO, QMEO/A, QME8, QME8/A, QXC4, QXC4/A, QXE4, QXE4/A, QXQ4, QXQ4/A, SE, SE/A, SHQ4, SHQ4/A, SMEO, SMEO/A, SXE4, SXE4/A, SXQ4, SXQ4/A, VD16, VEB6, VXE4, VXQP, VXQ4, VXQ4/A |
| | | | (3) | - | - | 2398545 | ----- | LKE |



E-16-1

MUFFLER(2)

2-C 6



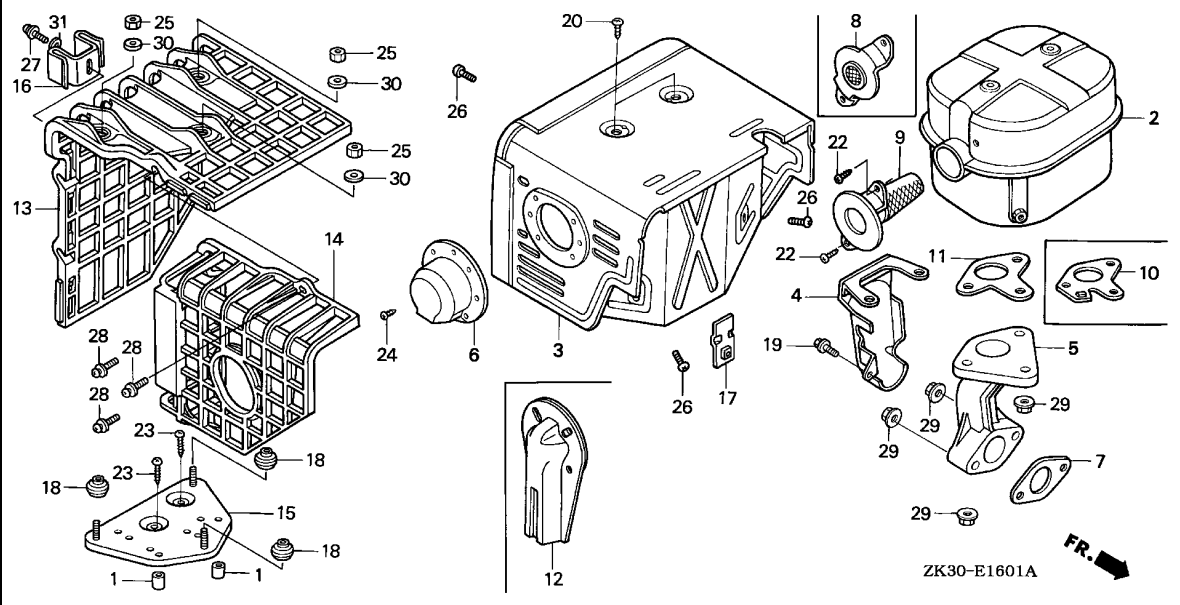
| Ref. No. | Part No. | Description | Reqd. QTY GX 340K1 (1) (2) (3) | Serial No. | Parts catalogue code |
|----------|-------------|--------------------------|---|------------|---|
| 29 | 94050-08000 | NUT, FLANGE, 8MM | 5 - - | ----- | BJ,EDK,EDN5,EDN5/A,ED7,ED8,ED8/A,ED9,ED9/A,EN,ES,ES1,ES1/A,ES2,ET ETS,ETX,HA,HAQ,HA2,HA2/A,HH,HX,HX2,HX26,HX26/A,LH,LH/A,LHB1,LHB3 LHB3/A,LHB5,LHC,LHE,LHE/A,LHQ4,LHQ4/A,LJ,LJ/A,LJG,LJG/A,LJS,LJS/A LJS1,LKE,LKE/A,LP,LSX,LT,LT/A,LWD,LX,LX/A,LXE,LXE/A,LXE2,LXE2/A LXE4,LXE4/A,LXE6,LXE8,LXE8/A,LXQ4,LXQ4/A,LXU,LXU/A,LXZ,LX2,LX2/A LX26,LX26/A,PKX4,PX,PX/A,PXE8,PXE8/A,QA,QAC2,QAC2/A,QAE,QAE2 QAE2/A,QAE6,QAE6/A,QAG,QAG/A,QA2,QA2/A,QAP,QAPE,QAP2,QAP2/A,QAQ QA2,QA2/A,QA26,QA26/A,QDW9,QDW9/A,QE,QE/A,QH,QH/A,QHB3,QHB3/A QHB5,QHC,QHE,QHE/A,QHP1,QHP1/A,QHQ4,QHQ4/A,QH2,QKA4,QKA4/A,QL2 QMEO,QMEO/A,QME8,QME8/A,QMH,QMH/A,QMX2,QNE,QNE2,QNE2/A,QNE6,QNE9 QNE9/A,QNR2,QNR2/A,QNR6,QNR6/A,QN18,QP,QP/A,QPE2,QT,QT/A,QTC2 QTC2/A,QWH2,QWH2/A,QX,QX/A,QXC,QXC/A,QXC4,QXC4/A,QXC6,QXC6/A,QXC9 QXC9/A,QXE,QXE/A,QXE2,QXE4,QXE4/A,QXE6,QXE6/A,QXE8,QXE8/A,QXQ4 QXQ4/A,QXU,QXU/A,QX2,SDE,SE,SE/A,SH,SH/A,SHB1,SHB3,SHB3/A,SHE SHEZ,SHQ4,SHQ4/A,SJ,SJ/A,SJG,SJG/A,SKE,SKE/A,SKZ,SKZ/A,SME0 SME0/A,SME2,SMX2,SMX2/A,STP,STP/A,STQ,STQ/A,STR,STR/A,SWX,SWX/A SX,SX/A,SXE,SXE/A,SXE2,SXE4,SXE4/A,SXE8,SXE8/A,SXP,SXQ4,SXQ4/A SXU,SXU/A,VA,VAD2,VAD2/A,VAH1,VAH2,VAW1,VA2,VA2/A,VDE,VDE2,VDE2/A VD16,VE,VEB6,VH,VHE,VH12,VH12/A,VH22,VH22/A,VMX,VWA2,VWE2,VWE2/A VW12,VW12/A,VX,VX/A,VXA,VXE,VXE/A,VXE2,VXE2/A,VXE4,VXE6,VXE8 VXE8/A,VXK,VXQ4,VXQ4/A,VXU,VXU/A,VXU1,VXU1/A,VX16,VX16/A,VX8 VX8/A,YJ |
| | | | 5 - - | 3681345 | PKX4/A |
| 30 | 94103-05700 | WASHER, PLAIN, 5MM | (3) - (3) | ----- | LHQ4,LHQ4/A,LKE/A,LXE4,LXE4/A,LXQ4,LXQ4/A,PKX4,PKX4/A,QE,QE/A QH4,QH4/A,QKA4,QKA4/A,QMEO,QMEO/A,QME8,QME8/A,QXC4,QXC4/A,QXE4 QXE4/A,QXQ4,QXQ4/A,SE,SE/A,SHQ4,SHQ4/A,SME0,SME0/A,SXE4,SXE4/A SXQ4,SXQ4/A,VD16,VEB6,VXE4,VXQP,VXQ4,VXQ4/A |
| | | | (3) - - | 2398545 | LKE |

2

E-16-1

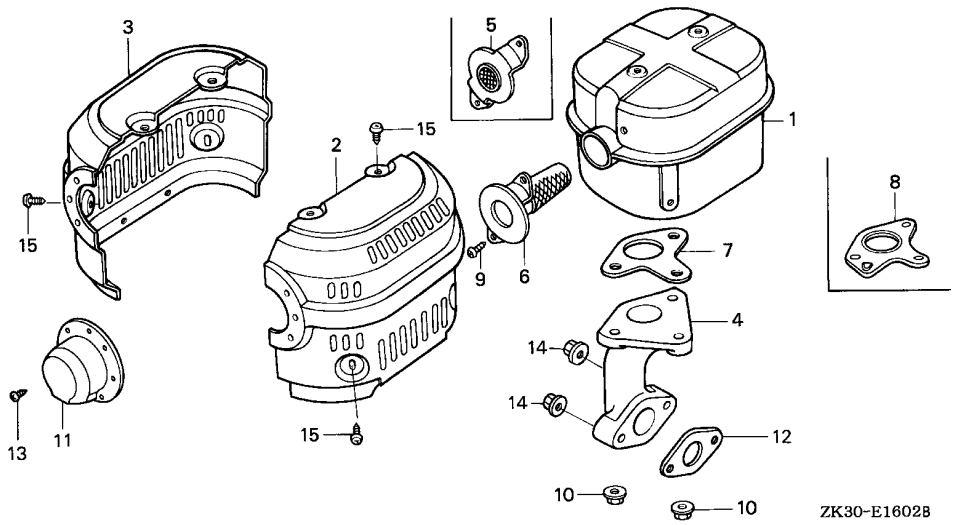
MUFFLER(2)

2-C 7



| Ref. No. | Part No. | Description | Reqd. QTY | | | Serial No. | Parts catalogue code |
|----------|-------------|---------------------|-----------|-------|-----|------------|---|
| | | | GX | 340K1 | (3) | | |
| 31 | 94111-05000 | WASHER, SPRING, 5MM | (1) | (2) | (3) | ----- | LHQ4,LHQ4/A,LKE/A,LXE4,LXE4/A,LXQ4,LXQ4/A,PKX4,PKX4/A,QE,QE/A,QHQ4,QHQ4/A,QKA4,QKA4/A,QMED,QMED/A,QME8,QME8/A,QXC4,QXC4/A,QXE4,QXE4/A,QXQ4,QXQ4/A,SE,SE/A,SHQ4,SHQ4/A,SME0,SME0/A,SXE4,SXE4/A,SXQ4,SXQ4/A,VD16,VEB6,VXE4,VXQP,VXQ4,VXQ4/A |
| | | | (1) | - | - | 2398545 | ----- LKE |

2



| Ref. No. | L.O.N. | (Relative ref. Number) Description | F.R.T. |
|----------|--------|---|--------|
| 1 | 3131C5 | MUFFLER, EXHAUST | 0.2 |
| 2 | 3131D4 | PROTECTOR, EXHAUST MUFFLER :RIGHT | 0.2 |
| 3 | 3131D1 | PROTECTOR, EXHAUST MUFFLER :LEFT | 0.2 |
| 4 | 3131C9 | PIPE, EXHAUST | 0.2 |
| 5 | 3131G5 | FLANGE, EXHAUST BAFFLE | 0.2 |
| 6 | 3131A1 | ARRESTER, SPARK | 0.2 |
| | | .INCLUDES: Spark arrester check (8) | |
| 7 | 3131B4 | GASKET, EXHAUST MUFFLER | 0.2 |
| 12 | 3131B5 | GASKET, EXHAUST PIPE | 0.2 |

| Ref. No. | Part No. | Description | Reqd. QTY | | | Serial No. | Parts catalogue code |
|----------|---|--|-----------|-----|-----|---|----------------------|
| | | | GX | (1) | (2) | | |
| 1 | 18310-ZE3-003 | MUFFLER COMP. | 1 | - | - | LHW,LWD1,LWD1/A,PKT2,PKT2/A,PKT4,PKT4/A,PKX2,PXA2,QAB2,QAB2/A QMT2,QMT2/A PKX4/A | |
| 2 | 18320-ZE3-003 18320-ZE3-G10 | PROTECTOR, R. MUFFLER PROTECTOR, R. MUFFLER (ALUMINIZED) | 1 | (1) | - | 3681346 2249295 L1,P1,Q1,S1,V1 | |
| 3 | 18320-ZE3-H00 18325-ZE3-003 18325-ZE3-G10 | PROTECTOR, R. MUFFLER PROTECTOR, L. MUFFLER PROTECTOR, L. MUFFLER (ALUMINIZED) | 1 | (1) | - | 3681346 2249296 LHW,L1/A,PKT2,PKT2/A,PKT4,PKT4/A,PKX2,PXA2,P1/A,QMT2,QMT2/A,Q1/A S1/A PKX4/A L1,P1,Q1,S1,V1 LWD1,LWD1/A,QAB2,QAB2/A | |
| 4 | 18325-ZE3-H00 18330-ZE2-000 | PROTECTOR, L. MUFFLER PIPE, EX. | 1 | (1) | - | 3681346 2249296 LHW,LWD1,LWD1/A,PKT2,PKT2/A,PKT4,PKT4/A,PKX2,PXA2,QAB2,QAB2/A QMT2,QMT2/A PKX4/A | |
| 5 | 18336-ZE3-000 | FLANGE COMP., BAFFLE | 1 | (1) | - | 3681346 LHW,LWD1,LWD1/A,PKT2,PKT2/A,PKT4,PKT4/A,PKX2,PXA2,QMT2,QMT2/A PKX4/A | |
| 6 | 18355-ZE3-010 | ARRESTER, SPARK | 1 | (1) | - | QAB2,QAB2/A PXA2 | |

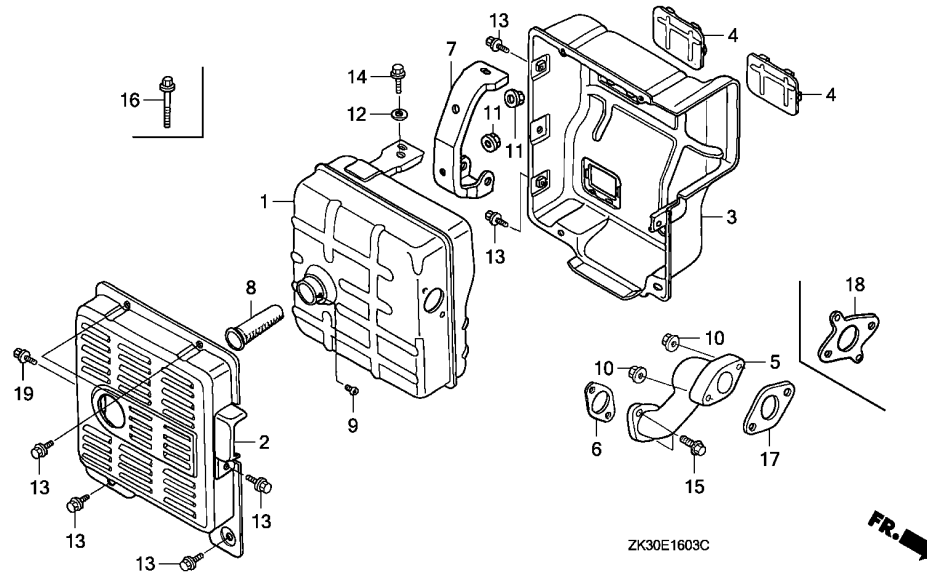
| Ref. No. | Part No. | Description | Reqd. QTY | | | Serial No. | Parts catalogue code |
|----------|---------------|--------------------------------------|-----------|-----|-----|------------|--|
| | | | (1) | (2) | (3) | | |
| 7 | 18381-ZE2-000 | GASKET, MUFFLER | - | (1) | - | 2127684 | L1,P1,Q1,S1,V1 |
| | 18381-ZE2-800 | GASKET, MUFFLER (NIPPON LEAKLESS) | 1 | (1) | - | | LHW,LWD1,LWD1/A,L1/A,PKT2,PKT2/A,PKT4,PKT4/A,PKX2,PXA2,P1/A,QMT2 QMT2/A,Q1/A,S1/A |
| | | | 1 | - | - | 3681346 | PKX4/A |
| | | | - | (1) | - | 2127685 | L1,P1,Q1,S1,V1 |
| 8 | 18381-ZE3-820 | GASKET, MUFFLER (ARRESTER) .. | - | (1) | - | 2178372 | L1,P1,Q1,S1,V1 |
| | 18381-ZE3-830 | | (1) | (1) | - | | L1/A,PXA2,P1/A,Q1/A,S1/A |
| | | | - | (1) | - | 2178373 | L1,P1,Q1,S1,V1 |
| | 18381-ZE2-W10 | | 1 | - | - | | QAB2,QAB2/A |
| 9 | 90050-ZE1-000 | SCREW, TAPPING, 5X8 | 2 | - | - | | LHW,LWD1,LWD1/A,PKT2,PKT2/A,PKT4,PKT4/A,PKX2,PXA2,QAB2,QAB2/A QMT2,QMT2/A |
| | | | 2 | - | - | 3681346 | PKX4/A |
| | | | - | (2) | - | | |
| 10 | 94050-08000 | NUT, FLANGE, 8MM | 3 | - | - | | LHW,LWD1,LWD1/A,PKT2,PKT2/A,PKT4,PKT4/A,PKX2,PXA2,QAB2,QAB2/A QMT2,QMT2/A |
| | | | 3 | - | - | 3681346 | PKX4/A |
| | | | - | (3) | - | | |
| 11 | 18331-ZE3-810 | CAP, MUFFLER | 1 | - | - | | LHW,QAB2,QAB2/A |
| 12 | 18333-ZK6-Y00 | GASKET, EX. PIPE | 1 | - | - | 3030997 | LHW |
| | 18333-ZF6-W01 | | 1 | - | - | | QAB2,QAB2/A |
| | | | 1 | - | - | 3030998 | LHW |
| | | | 1 | - | - | 3681346 | PKX4/A |
| | 18333-ZE3-800 | | 1 | - | - | | LWD1,LWD1/A,PKT2,PKT2/A,PKT4,PKT4/A,PKX2,PXA2,QMT2,QMT2/A |
| 13 | 90055-ZE1-000 | SCREW, TAPPING, 4X6 | 3 | - | - | | LHW,QAB2,QAB2/A |
| 14 | 94050-08000 | NUT, FLANGE, 8MM | 2 | - | - | | LHW,LWD1,LWD1/A,PKT4,PKT4/A,PKX2,PXA2,QAB2,QAB2/A |
| | | | 2 | - | - | 3681346 | PKX4/A |
| | | | - | (2) | - | | |
| 15 | 90050-ZE3-H00 | SCREW, TAPPING, 5X8 | 6 | - | - | | LHW,LWD1,LWD1/A,PKT2,PKT2/A,PKT4,PKT4/A,PKX2,QAB2,QAB2/A,QMT2 QMT2/A |
| | | | - | (6) | - | | |
| | 90050-ZE1-000 | | 6 | - | - | | PXA2 |
| | | | 6 | - | - | 3681346 | PKX4/A |



E-16-3

MUFFLER(4)

2-C10

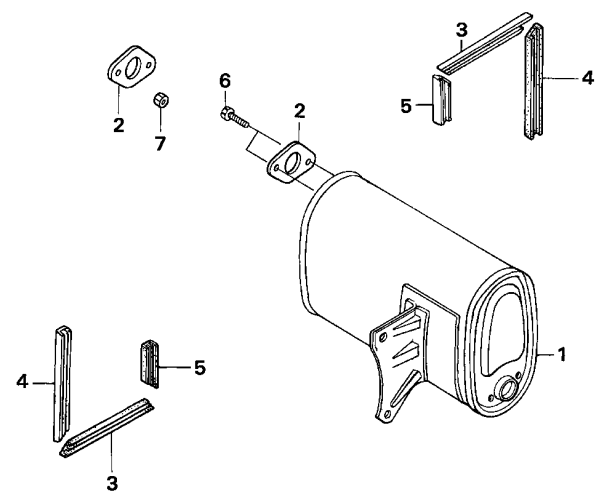


| Ref. No. | L.O.N. | (Relative ref. Number) Description | F.R.T. |
|----------|--------|---|--------|
| 1 | 3131C5 | MUFFLER, EXHAUST | 0.2 |
| 2 | 3131D9 | PROTECTOR, EXHAUST MUFFLER : OUTER | 0.1 |
| 3 | 3131D8 | PROTECTOR, EXHAUST MUFFLER : INNER | 0.2 |
| 4 | 3131G6 | SEAL, MUFFLER PROTECTOR | 0.2 |
| 5 | 3131C9 | PIPE, EXHAUST | 0.2 |
| 6 | 3131B5 | GASKET, EXHAUST PIPE | 0.2 |
| 8 | 3131A1 | ARRESTER, SPARK | 0.2 |
| | | .INCLUDES: Spark arrester check | |

| Ref. No. | Part No. | Description | Reqd. QTY | | | Serial No. | Parts catalogue code |
|----------|---------------|-------------------------------|-----------|-------|-----|------------|---|
| | | | GX | 340K1 | | | |
| | | | (1) | (2) | (3) | | |
| 1 | 18310-ZD1-E31 | MUFFLER COMP. | 1 | - | - | ----- | EDS,EDS1,EDS1/A,EDS2,EDS2/A,EDS3,EDS4,EDS6,EDS6/A,EDT,EDT/A,EDT1 EDT1/A,EDT2,EDT3,EDT6,EDT6/A,EMT,EMT/A,ES3,ES3/A,ES4,ES4/A,VAA VAAE,VMQ,VMT,VMT/A |
| | 18310-ZE2-U90 | MUFFLER COMP. (DENYO) | 1 | - | - | ----- | Ed6 |
| | 18310-ZE2-V60 | MUFFLER COMP. (TSURUMI) | 1 | - | - | ----- | EDE2,EDE2/A,EDN,EDN2,EDN2/A |
| | | | 1 | - | - | 2374606 | ED6/A,ENT,ENT/A,ENT2,EN6,EN6/A,VS2,VS3,VS4,VS5,VS6,VS7,VTE2 |
| 2 | 18320-ZC2-000 | PROTECTOR, MUFFLER OUTER | 1 | - | - | ----- | Ed6 |
| | | | 1 | - | - | ----- | EDE2,EDE2/A,EDN,EDN2,EDN2/A,EDS,EDS1,EDS1/A,EDS2,EDS2/A,EDS3,EDS4 EDS6,EDS6/A,EDT,EDT/A,EDT1,EDT1/A,EDT2,EDT3,EDT6,EDT6/A,ED6,ED6/A EMT,EMT/A,ENT,ENT/A,EN6,EN6/A,ES3,ES3/A,ES4,ES4/A,VAA,VAAE,VMQ VMT,VMT/A,VS2,VS3,VS4,VS5,VS6,VS7,VTE2 |
| 3 | 18325-ZB4-000 | PROTECTOR, MUFFLER INNER | 1 | - | - | ----- | EDE2,EDE2/A,EDN,EDN2,EDN2/A,EDS,EDS1,EDS1/A,EDS2,EDS2/A,EDS3,EDS4 EDS6,EDS6/A,EDT,EDT/A,EDT1,EDT1/A,EDT2,EDT3,EDT6,EDT6/A,ED6,ED6/A EMT,EMT/A,ENT,ENT/A,ENT2,EN6,EN6/A,ES3,ES3/A,ES4,ES4/A,VAA,VAAE VMQ,VMT,VMT/A,VS2,VS3,VS4,VS5,VS6,VS7,VTE2 |
| 4 | 18329-ZB4-000 | SEAL, MUFFLER PROTECTOR | 2 | - | - | ----- | EDE2,EDE2/A,EDN,EDN2,EDN2/A,EDS,EDS1,EDS1/A,EDS2,EDS2/A,EDS3,EDS4 EDS6,EDS6/A,EDT,EDT/A,EDT1,EDT1/A,EDT2,EDT3,EDT6,EDT6/A,ED6,ED6/A EMT,EMT/A,ENT,ENT/A,ENT2,EN6,EN6/A,ES3,ES3/A,ES4,ES4/A,VAA,VAAE VMQ,VMT,VMT/A,VS2,VS3,VS4,VS5,VS6,VS7,VTE2 |
| 5 | 18330-ZE3-700 | PIPE, EX. | 1 | - | - | ----- | EDE2,EDE2/A,EDN,EDN2,EDN2/A,EDS,EDS1,EDS1/A,EDS2,EDS2/A,EDS3,EDS4 EDS6,EDS6/A,EDT,EDT/A,EDT1,EDT1/A,EDT2,EDT3,EDT6,EDT6/A,ED6,ED6/A ENT,ENT/A,ENT2,EN6,EN6/A,ES3,ES3/A,ES4,ES4/A,VAA,VAAE,VMQ,VS2,VS3 VS4,VS5,VS6,VS7,VTE2 |
| | 18330-ZE3-710 | | 1 | - | - | ----- | EMT,EMT/A,VMT,VMT/A |
| 6 | 18333-ZB4-800 | GASKET, EX. PIPE | 1 | - | - | ----- | EDE2,EDE2/A,EDN,EDN2,EDN2/A,EDS,EDS1,EDS1/A,EDS2,EDS2/A,EDS3,EDS4 EDS6,EDS6/A,EDT,EDT/A,EDT1,EDT1/A,EDT2,EDT3,EDT6,EDT6/A,ED6,ED6/A EMT,EMT/A,ENT,ENT/A,ENT2,EN6,EN6/A,ES3,ES3/A,ES4,ES4/A,VAA,VAAE VMQ,VMT,VMT/A,VS2,VS3,VS4,VS5,VS6,VS7,VTE2 |

| Ref. No. | Part No. | Description | Reqd. QTY | | | Serial No. | Parts catalogue code |
|----------|----------------|-------------------------------|-----------|-----|-----|------------|---|
| | | | (1) | (2) | (3) | | |
| 7 | 18338-ZE2-V60 | STAY A, MUFFLER (TSURUMI) ... | 1 | - | - | ----- | ED6,ED6/A,ENT,ENT/A,VTE2 |
| 8 | 18355-ZB4-630 | ARRESTER, SPARK | 1 | - | - | ----- | EDE2,EDE2/A,EDN,EDN2,EDN2/A,EDS,EDS1,EDS1/A,EDS2,EDS2/A,EDS3,EDS4,EDS6,EDS6/A,EDT,EDT/A,EDT1,EDT1/A,EDT2,EDT3,EDT6,EDT6/A,ED6,ED6/A,ENT,ENT/A,ENT2,EN6,EN6/A,ES4,ES4/A,VAA,VA AE,VTE2 |
| 9 | 90002-ZE2-U91 | SCREW, TAPPING, 4X8 | 1 | - | - | ----- | 2589845 ES3 |
| 10 | 94050-08000 | NUT, FLANGE, 8MM | 2 | - | - | ----- | EDE2,EDE2/A,EDN,EDN2,EDN2/A,EDS,EDS1,EDS1/A,EDS2,EDS2/A,EDS3,EDS4,EDS6,EDS6/A,EDT,EDT/A,EDT1,EDT1/A,EDT2,EDT3,EDT6,EDT6/A,ED6,ED6/A,ENT,ENT/A,ENT2,EN6,EN6/A,ES3,ES4,ES4/A,VAA,VA AE,VTE2 |
| 11 | 94050-08000 | NUT, FLANGE, 8MM | 2 | - | - | ----- | EDE2,EDE2/A,EDN,EDN2,EDN2/A,EDS,EDS1,EDS1/A,EDS2,EDS2/A,EDS3,EDS4,EDS6,EDS6/A,EDT,EDT/A,EDT1,EDT1/A,EDT2,EDT3,EDT6,EDT6/A,ED6,ED6/A,EMT,EMT/A,ENT,ENT/A,ENT2,EN6,EN6/A,ES3,ES3/A,ES4,ES4/A,VAA,VA AE,VMQ,VMT,VMT/A,VS2,VS3,VS4,VS5,VS6,VS7,VTE2 |
| 12 | 94103-08000 | WASHER, PLAIN, 8MM | 1 | - | - | ----- | ED6,ED6/A,ENT,ENT/A,VTE2 |
| 13 | 95701-06010-00 | BOLT, FLANGE, 6X10 | 7 | - | - | ----- | VAA,VA AE |
| | 95701-06012-00 | BOLT, FLANGE, 6X12 | 7 | - | - | ----- | EDE2,EDE2/A,EDN,EDN2,EDN2/A,EDT,EDT/A,EDT1,EDT6,EDT6/A,ED6,ED6/A,EMT,EMT/A,ENT,ENT/A,EN6,EN6/A,VAA,VA AE,VMQ,VMT,VMT/A,VTE2 |
| | | | 7 | - | - | ----- | 4088023 EDT1/A |
| | | | 7 | - | - | ----- | EDS,EDS1,EDS1/A,EDS2,EDS2/A,EDS3,EDS4,EDS6,EDS6/A,ES3,ES3/A,ES4,ES4/A,VS3,VS4,VS5,VS6 |
| | | | 2 | - | - | ----- | VS2,VS7 |
| | | | 7 | - | - | ----- | EDT3 |
| 14 | 95701-08016-08 | BOLT, FLANGE, 8X16 | 7 | - | - | ----- | 4088024 EDT1/A |
| 15 | 95701-08020-00 | BOLT, FLANGE, 8X20 | 2 | - | - | ----- | VAA,VA AE |
| 16 | 95701-08070-00 | BOLT, FLANGE, 8X70 | 1 | - | - | ----- | EDE2,EDE2/A,EDN,EDN2,EDN2/A,EDS,EDS1,EDS1/A,EDS2,EDS2/A,EDS3,EDS4,EDS6,EDS6/A,EDT,EDT/A,EDT1,EDT1/A,EDT2,EDT3,EDT6,EDT6/A,ED6,ED6/A,EMT,EMT/A,ENT,ENT/A,ENT2,EN6,EN6/A,ES3,ES3/A,ES4,ES4/A,VAA,VA AE,VMQ,VMT,VMT/A,VS2,VS3,VS4,VS5,VS6,VS7,VTE2 |
| 17 | 18333-ZE3-800 | GASKET, EX. PIPE | 1 | - | - | ----- | ED6/A,EN6,EN6/A,VTE2 |
| | | | 1 | - | - | ----- | 2374606 ED6 |
| 18 | 18333-ZF6-W01 | GASKET, EX. PIPE | 1 | - | - | ----- | EDE2,EDE2/A,EDN,EDN2,EDN2/A,EDS,EDS1,EDS2,EDS2/A,EDS3,EDS6,EDS6/A,EDT,EDT/A,EDT1,EDT2,EDT6,EDT6/A,ED6,ED6/A,EMT,ENT,ENT/A,ENT2,EN6,EN6/A,ES3,ES4,VAA,VA AE,VMT,VTE2 |
| 19 | 95701-06010-00 | BOLT, FLANGE, 6X10 | 1 | - | - | ----- | 4044212 EDS1/A,EDS4,EDT1/A,EMT/A,ES3/A,ES4/A,VMQ,VMT/A,VS3,VS4,VS5,VS6 |
| | 95701-06012-00 | BOLT, FLANGE, 6X12 | 1 | - | - | ----- | EDT3,VS2,VS7 |
| | | | 1 | - | - | ----- | 4044213 EDS1/A,EDS4,EDT1/A,EMT/A,ES3/A,ES4/A,VMQ,VMT/A,VS3,VS4,VS5,VS6 |
| | | | 1 | - | - | ----- | EDE2,EDE2/A,EDN,EDN2,EDN2/A,EDT,EDT/A,EDT1,EDT1/A,EDT6,EDT6/A,ED6,ED6/A,EMT,EMT/A,ENT,ENT/A,EN6,EN6/A,VAA,VA AE,VMQ,VMT,VMT/A,VTE2 |
| | | | 1 | - | - | ----- | EDS,EDS1,EDS2,EDS2/A,EDS3,EDS4,EDS6,EDS6/A,ES3,ES3/A,ES4,ES4/A,VS3,VS4,VS5,VS6 |
| | | | 1 | - | - | ----- | 4088023 EDS1/A |
| | | | 2 | - | - | ----- | VS2,VS7 |
| | | | 1 | - | - | ----- | EDT3 |
| | | | 1 | - | - | ----- | 4088024 EDS1/A |



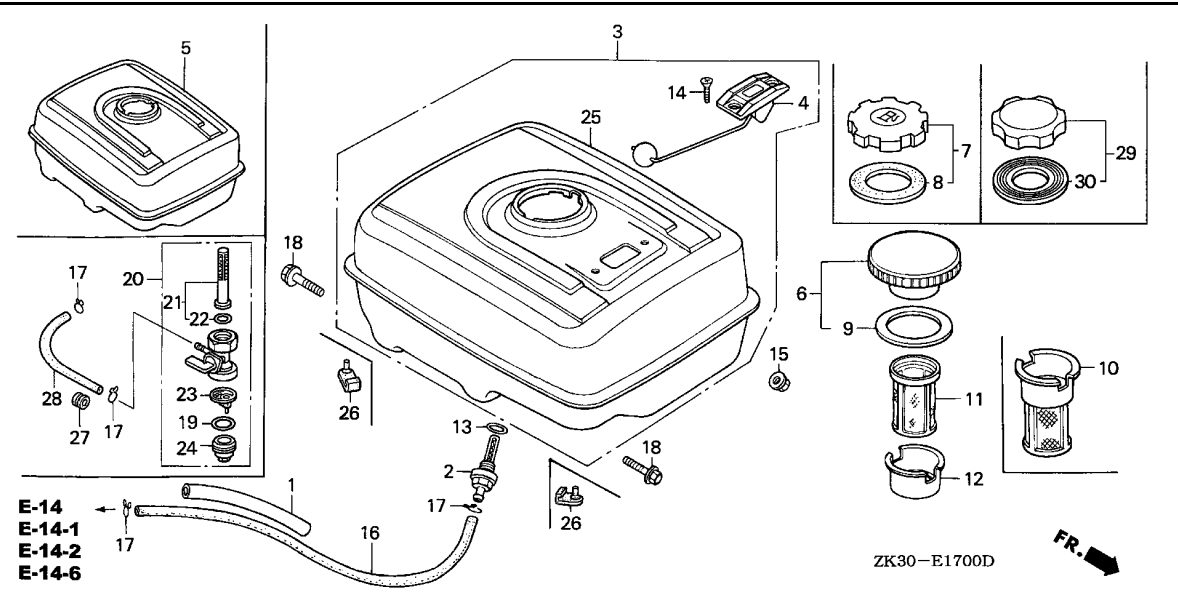


ZK30-E1604B

| Ref. No. | L.O.N. | (Relative ref. Number) Description | F.R.T. |
|----------|--------|------------------------------------|--------|
| 1 | 3131C5 | MUFFLER, EXHAUST | 0.2 |
| 2 | 3131B5 | GASKET, EXHAUST PIPE | 0.2 |
| 3 | 3131G7 | (4,5) SEAL, MUFFLER DUCT | 0.2 |



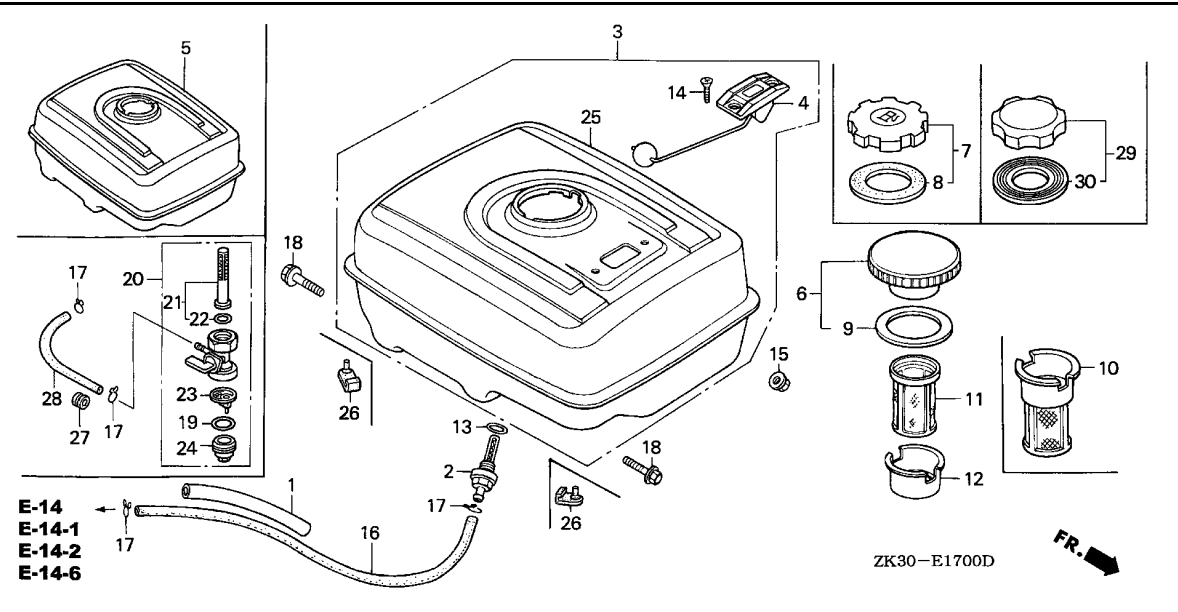
| Ref. No. | Part No. | Description | Reqd. QTY | | | Serial No. | Parts catalogue code | |
|----------|----------------|------------------------------|-----------|-------|-----|------------|----------------------|-----|
| | | | GX | 340K1 | | | | |
| | | | (1) | (2) | (3) | | | |
| 1 | 18310-ZB8-003 | MUFFLER COMP. | 1 | - | - | ----- | EDS5,STJ,STJ/A | |
| 2 | 18333-ZB7-800 | GASKET, EX. PIPE | 2 | - | - | ----- | EDS5 | |
| | 18333-ZE3-000 | | 1 | - | - | ----- | 2127684 STJ | |
| | 18333-ZE3-800 | | 1 | - | - | ----- | STJ/A | |
| 3 | 18412-ZB7-000 | SEAL, MUFFLER DUCT (A) | 1 | - | - | 2127685 | ----- | STJ |
| 4 | 18413-ZB7-000 | SEAL, MUFFLER DUCT (B) | 2 | - | - | ----- | EDS5 | |
| 5 | 18414-ZB7-000 | SEAL, MUFFLER DUCT (C) | 2 | - | - | ----- | EDS5 | |
| 6 | 92101-08028-0A | BOLT, HEX., 8X28 | 2 | - | - | ----- | EDS5 | |
| 7 | 94001-08000-0S | NUT, HEX., 8MM | 2 | - | - | ----- | EDS5 | |



| Ref. No. | L.O.N. | (Relative ref. Number) Description | F.R.T. |
|----------|--------|-------------------------------------|--------|
| 2 | 3101H6 | (13) JOINT, FUEL STRAINER | 0.2 |
| 3 | 3101H7 | (5,25) TANK, FUEL | 0.2 |
| 4 | 6171A1 | METER/GAUGE UNIT, FUEL | 0.1 |
| 11 | 3101A6 | (10) FILTER, FUEL | 0.1 |
| 16 | 3101F1 | TUBE, FUEL TANK | 0.2 |
| 20 | 3101A3 | COCK, FUEL | 0.2 |
| 21 | 3101D5 | SCREEN, FUEL STRAINER | 0.2 |
| 23 | 3101A7 | (19,24) FILTER, FUEL TANK CUP | 0.2 |
| 28 | 3101F2 | TUBE, FUEL COCK | 0.2 |

| Ref. No. | Part No. | Description | Reqd. QTY | | | Serial No. | Parts catalogue code |
|----------|---------------|-------------------------------|-----------|-----|-----|------------|---|
| | | | GX | (1) | (2) | | |
| 1 | 16854-ZE1-000 | RUBBER, SUPPORTER (107MM) ... | 1 | - | - | 2045717 | BJ, HA, HH, HX, LH, LHC, LHE, LJ, LKE, LX, LXE, LXZ, PX, QA, QAE, QAP, QAPE, QE, QH, QHC, QHE, QNE, QT, QX, QXB, QXC, QXE, QXEB, SE, SH, SHE, SHEZ, SJ, STP, STQ, SWX, SX, SXB, SXE, SXEB, SXP, VA, VE, VH, VHE, VX, VXB, VXE, VXEB, YJ |
| | 16854-ZH8-000 | | 1 | (1) | - | 2167646 | L1, P1, Q1, S1, V1 |
| | | | 1 | - | - | 2045718 | EDK, ED7, ED8, ED8/A, ED9, ED9/A, ES, ES1, ES1/A, ES2, HAQ, HA2, HA2/A, HX2, HX26, HX26/A, LH/A, LHB1, LHB3, LHB3/A, LHB5, LHE/A, LHQ4, LHQ4/A, LHW, LJ/A, LJG, LJG/A, LJS, LJS/A, LJS1, LKE/A, LP, LSX, LT, LT/A, LWD, LWD1, LWD1/A, LX/A, LXE/A, LXE2, LXE2/A, LXE4, LXE4/A, LXE6, LXE8, LXE8/A, LXQ4, LXQ4/A, LXU, LXU/A, LX2, LX2/A, LX26, LX26/A, L1/A, PKT2, PKT2/A, PKT4, PKT4/A, PKX2, PKX4, PKX4/A, PX/A, PXA2, PXE8, PXE8/A, P1/A, QAB2, QAB2/A, QAC2, QAC2/A, QAE2, QAE2/A, QAE6, QAE6/A, QAG, QAG/A, QAH2, QAH2/A, QAP2, QAP2/A, QAQ, QAZ, QA2/A, QA26, QA26/A, QDW9, QDW9/A, QE/A, QH/A, QHB3, QHB3/A, QHB5, QHE/A, QHP1, QHP1/A, QHQ4, QHQ4/A, QH2, QKA4, QKA4/A, QL2, QMED, QMED/A, QME8, QME8/A, QMH, QMH/A, QMT2, QMT2/A, QMX2, QNE2, QNE2/A, QNE6, QNE9, QNE9/A, QNR2, QNR2/A, QNR6, QNR6/A, QN18, QP, QP/A, QPE2, QT/A, QTC2, QTC2/A, QWH2, QWH2/A, QX/A, QXB/A, QXB7, QXB7/A, QXC/A, QXC4, QXC4/A, QXC6, QXC6/A, QXC9, QXC9/A, QXE/A, QXE2, QXE4, QXE4/A, QXE6, QXE6/A, QXE8, QXE8/A, QXQ4, QXQ4/A, QXU, QXU/A, QX2, Q1/A, SDE, SE/A, SH/A, SHB1, SHB3, SHB3/A, SHQ4, SHQ4/A, SJ/A, SJG, SJG/A, SKE, SKE/A, SKZ, SKZ/A, SME0, SME0/A, SME2, SMX2, SMX2/A, STJ, STJ/A, STP/A, STQ/A, SWX/A, SX/A, SXB/A, SXB7, SXB7/A, SXE/A, SXEB/A, SXE2, SXE4, SXE4/A, SXE8, SXE8/A, SXQ4, SXQ4/A, SXU, SXU/A, S1/A, VAW1, VA2, VA2/A, VC2, VC2/A, VDE, VDE2, VDE2/A, VD16, VEB6, VMX, VNG1, VNG2, VSH7, VMC, VME, VME2, VME2/A, VW12, VW12/A, VX/A, VXB/A, VXB2, VXB7, VXB7/A, VXE/A, VXEB/A, VXE2, VXE2/A, VXE4, VXE6, VXE7, VXE7/A, VXE8, VXE8/A, VXG, VXK, VXQ4, VXQ4/A, VXU, VXU/A, VXU1, VXU1/A, VX16, VX16/A, VX8, VX8/A |
| | | | 1 | - | - | 2167647 | BJ, HA, HH, HX, LH, LHC, LHE, LJ, LKE, LX, LXE, LXZ, PX, QA, QAE, QAP, QAPE, QE, QH, QHC, QHE, QNE, QT, QX, QXB, QXC, QXE, QXEB, SE, SH, SHE, SHEZ, SJ, STP, STQ, SWX, SX, SXB, SXE, SXEB, SXP, VA, VE, VH, VHE, VX, VXB, VXE, VXEB, YJ |
| | | | - | (1) | - | 2167647 | L1, P1, Q1, S1, V1 |



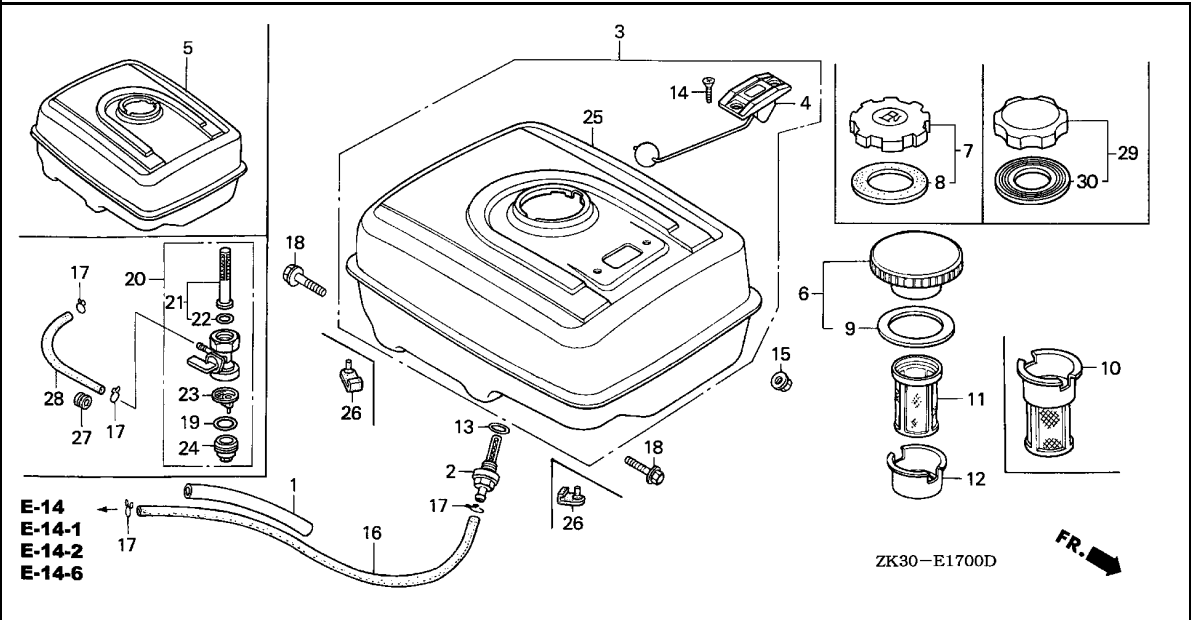


| Ref. No. | Part No. | Description | Reqd. QTY | | | Serial No. | Parts catalogue code |
|----------|-----------------|---|-----------|-----|-----|------------|--|
| | | | GX | (1) | (2) | | |
| 2 | 16955-ZE1-000 | JOINT, FUEL TANK | 1 | - | - | ----- | BJ,EDK,ED7,ED8,ED8/A,ED9,ED9/A,ES,ES1,ES1/A,ES2,HA,HAQ,HA2,HA2/A,HH,HX,HX2,HX26,A,LH,LH/A,LHB1,LHB3,LHB3/A,LHB5,LHC,LHE,LHE/A,LHQ4,LHQ4/A,LHW,LJ,LJ/A,LJG,LJG/A,LJS,LJS/A,LJS1,LKE,LKE/A,LP,LSX,LT,LT/A,LWD,LWD1,LWD1/A,LX,LX/A,LXE,LXE/A,LXE2,LXE2/A,LXE4,LXE4/A,LXE6,LXE8,LXE8/A,LXQ4,LXQ4/A,LXU,LXU/A,LXZ,LX2,LX2/A,LX26,LX26/A,PKT2,PKT2/A,PKT4,PKT4/A,PKX2,PKX4,PKX4/A,PX,PX/A,PXA2,PXE8,PXE8/A,QA,QAB2,QAB2/A,QAE,QAE2,QAE2/A,QAE6,QAE6/A,QAG,QAG/A,QAH2,QAH2/A,QAP,QAPE,QAP2,QAP2/A,QAQ,QA2,QA2/A,QA26,QA26/A,QDW9,QDW9/A,QE,QA,QA,QA/A,QHB3,QHB3/A,QHB5,QHC,QHE,QHE/A,QHP1,QHP1/A,QHQ4,QHQ4/A,QH2,QKA4,QKA4/A,QL2,QMED,QMED/A,QME8,QME8/A,QMH,QMH/A,QMT2,QMT2/A,QMX2,QNE,QNE2,QNE2/A,QNE6,QNE9,QNE9/A,QNR2,QNR2/A,QNR6,QNR6/A,QN18,QP,QP/A,QPE2,QT,QT/A,QTC2,QTC2/A,QWH2,QWH2/A,QX,QX/A,QXB,QXB/A,QXB7,QXB7/A,QXC,QXC/A,QXC4,QXC4/A,QXC6,QXC6/A,QXC9,QXC9/A,QXE,QXE/A,QXEB,QXE2,QXE4,QXE4/A,QXE6,QXE6/A,QXE8,QXE8/A,QXQ4,QXQ4/A,QXU,QXU/A,QX2,SDE,SE,SE/A,SH,SH/A,SHB1,SHB3,SHB3/A,SHE,SHEZ,SHQ4,SHQ4/A,SJ,SJ/A,SJG,SJG/A,SKE,SKE/A,SKZ,SKZ/A,SME0,SME0/A,SME2,SMX2,SMX2/A,STJ,STJ/A,STP,STP/A,STQ,STQ/A,SWX,SWX/A,SX,SX/A,SXB,SXB/A,SXB7,SXB7/A,SXE,SXE/A,SXEB,SXEB/A,SXE2,SXE4,SXE4/A,SXE8,SXE8/A,SXP,SXQ4,SXQ4/A,SXU,SXU/A,VA,VA2,VA2/A,VD16,VE,VEB6,VH,VHE,VMX,VX,VX/A,VXB,VXB/A,VXB2,VXB7,VXB7/A,VXE,VXE/A,VXEB,VXEB/A,VXE2,VXE2/A,VXE4,VXE6,VXE7,VXE7/A,VXE8,VXE8/A,VXG,VXK,VXQ4,VXQ4/A,VXU,VXU/A,VXU1,VXU1/A,VX16,VX16/A,VX8,VX8/A,YJ |
| 3 | 17500-ZE3-811ZA | TANK ASSY., FUEL (GAUGE) *NH31*.....MCKINLEY WHITE | 1 | (1) | - | ----- | LJG,LJS,L1,P1,Q1,SDE,SJG,SKE,STJ,S1,VXG,V1 |
| | 17500-ZE3-811ZB | *R165*.....JOLLY RED | 1 | (1) | - | 3792141 | LJG/A,LJS/A,LJS1,LWD,L1/A,P1/A,Q1/A,SJG/A,SKE/A,SKZ/A,STJ/A,S1/A |
| | 17500-ZE3-811ZF | *R280*.....POWER RED | 1 | - | - | 2599031 | SKZ |
| | | | 1 | - | - | ----- | LWD1 |
| | | | 1 | - | - | 3770606 | LWD1/A |

2

| Ref. No. | Part No. | Description | Reqd. QTY | | | Serial No. | Parts catalogue code |
|----------|-----------------|-------------------------------|-----------|-----|-----|-----------------|--|
| | | | (1) | (2) | (3) | | |
| (3) | 17500-ZE3-812ZA | TANK ASSY., FUEL (GAUGE) | | | | | |
| | | *NH31*.....MCKINLEY WHITE | 1 | (1) | - | 3792142 3983330 | LJG/A,LJS/A,LJS1,LWD,L1/A,P1/A,Q1/A,SJG/A,SKE/A,SKZ/A,STJ/A,S1/A |
| | 17500-ZE3-812ZF | *R280*.....POWER RED | 1 | - | - | 3770607 3983330 | LWD1/A |
| | 17500-ZE3-813ZA | *NH31*.....MCKINLEY WHITE | 1 | (1) | - | 3983331 | LJG/A,LJS/A,LJS1,LWD,L1/A,P1/A,Q1/A,SJG/A,SKE/A,SKZ/A,STJ/A,S1/A |
| | 17500-ZE3-813ZF | *R280*.....POWER RED | 1 | - | - | 3983331 | LWD1/A |
| 4 | 17505-ZE2-013 | GAUGE ASSY., FUEL | 1 | - | - | | LJG,LJG/A,LJS,LJS/A,LJS1,LWD,LWD1,LWD1/A,SDE,SJG,SJG/A,SKE,SKE/A,SKZ/A,STJ,STJ/A,VXG |
| | | | 1 | - | - | 2599031 | SKZ |
| | | | - | (1) | - | | |
| 5 | 17510-ZE3-010ZA | TANK COMP., FUEL | | | | | |
| | | *NH31*.....MCKINLEY WHITE | 1 | (1) | - | | BJ,ED7,ED8,ED9,ES,ES1,HA,HAQ,HA2,HH,HX,HX2,HX26,LH,LHB1,LHB3,LHC,LHE,LHQ4,LHW,LJ,LKE,LP,LSX,LT,LX,LXE,LXE2,LXE4,LXE6,LXE8,LXQ4,LXU,LXZ,LX2,LX26,L1,PKT2,PKT4,PKX4,PX,PXE8,P1,QA,QAB2,QAE,QAE2,QAE6,QAG,QA2,QAP,QAPE,QAQ,QA2,QA26,QE,QH,QHB3,QHC,QHE,QHP1,QHQ4,QH2,QKA4,QME0,QME8,QMH,QMT2,QMX2,QNE,QNE2,QNE6,QNE9,QNR2,QNR6,QN18,QP,QT,QTC2,QX,QXB,QXB7,QXC,QXC4,QXC6,QXC9,QXE,QXE6,QXE8,QXE4,QXE6,QXE8,QXQ4,QXU,Q1,SE,SH,SHB1,SHB3,SHE,SHEZ,SHQ4,SJ,SMEO,SME2,SMX2,STP,STQ,SWX,SX,SXB,SXB7,SXE,SXEB,SXE2,SXE4,SXE8,SXP,SXQ4,SXU,S1,VA,VA2,VDE,VD16,VE,VEB6,VH,VHE,VMX,VX,VXB,VXB2,VXB7,VA,STP/A,STQ/A,VXE4,VXE6,VXE7,VXE8,VXQ4,VXU,VXU1,VX16,VX8,V1,YJ |
| | | | 1 | (1) | - | 3792141 | ED8/A,ED9/A,ES1/A,HA2/A,HX26/A,LH/A,LHB3/A,LHB5,LHE/A,LHQ4/A,LJ/A,LKE/A,LT/A,LX/A,LXE/A,LXE2/A,LXE4/A,LXE8/A,LXQ4/A,LXU/A,LX2/A,LX26/A,L1/A,PKT2/A,PKT4/A,PKX2,PKX4/A,PX/A,PXE8/A,P1/A,QAB2/A,QAE2/A,QAE6/A,QAG/A,QA2/A,QA26/A,QA2/A,QA26/A,QA2/A,QH/A,QHB3/A,QHB5,QHE/A,QHP1/A,QHQ4/A,QKA4/A,QME0/A,QME8/A,QMH/A,QMT2/A,QNE2/A,QNE9/A,QNR2/A,QNR6/A,QP/A,QT/A,QTC2/A,QWH2/A,QX/A,QXB/A,QXB7/A,QXC/A,QXC4/A,QXC6/A,QXC9/A,QXE/A,QXE4/A,QXE6/A,QXE8/A,QXQ4/A,QXU/A,Q1/A,SE/A,SH/A,SHB3/A,SHQ4/A,SJ/A,SMEO/A,SMX2/A,STP/A,STQ/A,SWX/A,SX/A,SXB/A,SXB7/A,SXE/A,SXEB/A,SXE4/A,SXE8/A,SXQ4/A,SXU/A,S1/A,VA2/A,VX/A,VXB/A,VXB7/A,VXE/A,VXE6/A,VXE7/A,VXE8/A,VXQ4/A,VXU/A,VXU1/A,VX16/A,VX8/A |
| | | | 1 | - | - | 2599030 | SKZ |
| | 17510-ZE3-010ZB | *NH1*.....BLACK | 1 | - | - | | HAQ,QAE2,QAP2,QAQ,QDW9,QKA4,QL2,QME0,QMT2,QMX2,QNE9,QNR2,QPE2,QWH2,QXQ4,QX2,SMEO,SME2,SMX2 |
| | | | 1 | - | - | 3792141 | PKT2/A,PX/A,QAE2/A,QAP2/A,QDW9/A,QKA4/A,QME0/A,QMT2/A,QNE9/A,QNR2/A,QWH2/A,QX/A,QXC9/A,QXQ4/A,SMEO/A,SMX2/A |
| | 17510-ZE3-010ZD | *T34*.....SIMPSON BLUE | 1 | - | - | | QA2 |
| | | | 1 | - | - | 3792141 | QA2/A |
| | 17510-ZE3-010ZE | *NH105*...MAT BLACK (#15-#20) | 1 | - | - | | VXB7,VXE2,VXE7 |
| | | | 1 | - | - | 3792141 | VXB7/A,VXE/A,VXE2/A,VXE7/A |
| | 17510-ZE3-010ZF | *Y131*.....LIGHTNING YELLOW | 1 | - | - | | ES1 |
| | | | 1 | - | - | 3792141 | ES1/A |
| | 17510-ZE3-010ZG | *T77*.....SEC WINE RED | 1 | - | - | | ES1 |
| | | | 1 | - | - | 3792141 | ES1/A |
| | 17510-ZE3-010ZH | *R280*.....POWER RED | 1 | - | - | | ES1/A |
| | | | 1 | - | - | 3792141 | ES1/A |
| | 17510-ZE3-020ZA | *NH31*.....MCKINLEY WHITE | 1 | (1) | - | 3792142 3980511 | ED8/A,ED9/A,ES1/A,HA2/A,HX26/A,LH/A,LHB3/A,LHB5,LHE/A,LHQ4/A,LJ/A,LKE/A,LT/A,LX/A,LXE/A,LXE2/A,LXE4/A,LXE8/A,LXQ4/A,LXU/A,LX2/A,LX26/A,L1/A,PKT2/A,PKT4/A,PKX2,PKX4/A,PX/A,PXE8/A,P1/A,QAB2/A,QAE2/A,QAE6/A,QAG/A,QA2/A,QA26/A,QA2/A,QA26/A,QA2/A,QH/A,QHB3/A,QHB5,QHE/A,QHP1/A,QHQ4/A,QKA4/A,QME0/A,QME8/A,QMH/A,QMT2/A,QNE2/A,QNE9/A,QNR2/A,QNR6/A,QP/A,QT/A,QTC2/A,QWH2/A,QX/A,QXB/A,QXB7/A,QXC/A,QXC4/A,QXC6/A,QXC9/A,QXE/A,QXE4/A,QXE6/A,QXE8/A,QXQ4/A,QXU/A,Q1/A,SE/A,SH/A,SHB3/A,SHQ4/A,SJ/A,SMEO/A,SMX2/A,STP/A,STQ/A,SWX/A,SX/A,SXB/A,SXB7/A,SXE/A,SXEB/A,SXE4/A,SXE8/A,SXQ4/A,SXU/A,S1/A,VA2/A,VX/A,VXB/A,VXB7/A,VXE/A,VXE6/A,VXE7/A,VXE8/A,VXQ4/A,VXU/A,VXU1/A,VX16/A,VX8/A |
| | | | 1 | - | - | 3980511 | PXA2 |



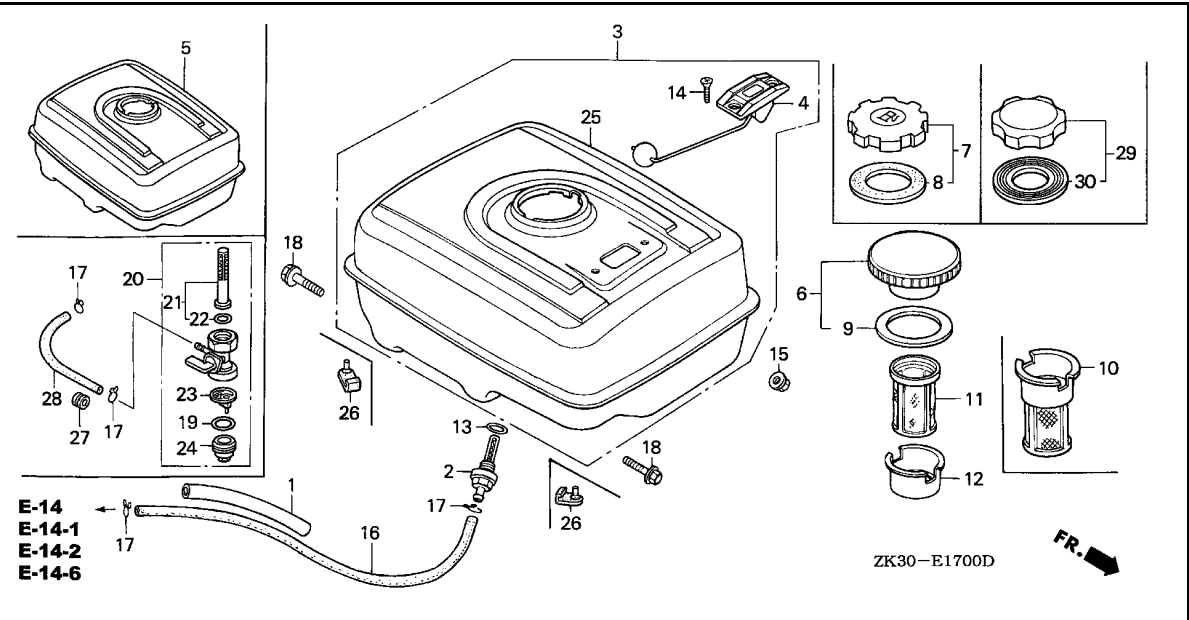


| Ref. No. | Part No. | Description | Reqd. QTY | | | Serial No. | Parts catalogue code |
|----------|-----------------|-------------------------------|-----------|-----|-----|-----------------|---|
| | | | GX | (1) | (2) | | |
| (5) | 17510-ZE3-020ZB | TANK COMP., FUEL | | | | | |
| | | *NH1*.....BLACK | 1 | - | - | 3792142 3980511 | PKT2/A, PX/A, QAE2/A, QAP2/A, QDW9/A, QKA4/A, QMEO/A, QMT2/A, QNE9/A, QNR2/A, QWH2/A, QX/A, QXC9/A, QXQ4/A, SMEO/A, SMX2/A |
| | 17510-ZE3-020ZD | *T34*.....SIMPSON BLUE | 1 | - | - | 3792142 3980511 | QA2/A |
| | 17510-ZE3-020ZE | *NH105*...MAT BLACK (#15-#20) | 1 | - | - | 3792142 3980511 | VXB7/A, VXE/A, VXE2/A, VXE7/A |
| | 17510-ZE3-020ZF | *Y131*.....LIGHTNING YELLOW | 1 | - | - | 3792142 3980511 | ES1/A |
| | 17510-ZE3-020ZG | *T77*.....SEC WINE RED | 1 | - | - | 3792142 3980511 | ES1/A |
| | 17510-ZE3-020ZH | *R280*.....POWER RED | 1 | - | - | 3792142 3980511 | ES1/A |
| | 17510-ZE3-800ZA | *NH1*.....BLACK | 1 | - | - | 3980512 | PKT2/A, PX/A, QAE2/A, QAP2/A, QDW9/A, QKA4/A, QMEO/A, QMT2/A, QNE9/A, QNR2/A, QWH2/A, QX/A, QXC9/A, QXQ4/A, SMEO/A, SMX2/A |
| | 17510-ZE3-800ZB | *NH105*...MAT BLACK (#15-#20) | 1 | - | - | 3980512 | VXB7/A, VXE/A, VXE2/A, VXE7/A |
| | 17510-ZE3-800ZC | *NH31*.....MCKINLEY WHITE | 1 | (1) | - | 3980512 4071258 | ED8/A, ED9/A, ES1/A, LH/A, LHB3/A, LHB5, LHE/A, LJ/A, LT/A, LX/A, LXE/A, L1/A, PX/A, P1/A, QH/A, QHB3/A, QHB5, QHP1/A, QMH/A, QP/A, QT/A, QX/A, QXC/A, QXE/A, Q1/A, SH/A, SJ/A, STP/A, STQ/A, SX/A, SXE/A, S1/A, VX/A, VXE/A, VXEB/A, VXU/A, VXU1/A |
| | | | 1 | - | - | 3980512 | HA2/A, HX26/A, LHQ4/A, LKE/A, LXE2/A, LXE4/A, LXE8/A, LXQ4/A, LXU/A, LX2/A, LX26/A, PKT2/A, PKT4/A, PKX2, PKX4/A, PXA2, PXE8/A, QAB2/A, QAE2/A, QAE6/A, QAG/A, QAH2/A, QAP2/A, QA2/A, QA26/A, QE/A, QHE/A, QHQ4/A, QKA4/A, QMEO/A, QME8/A, QMT2/A, QNE2/A, QNE9/A, QNR2/A, QNR6/A, QTC2/A, QWH2/A, QXB/A, QXB7/A, QXC4/A, QXC6/A, QXC9/A, QXE4/A, QXE6/A, QXE8/A, QXQ4/A, QXU/A, SE/A, SHB3/A, SHQ4/A, SMEO/A, SMX2/A, SWX/A, SXB/A, SXB7/A, SXEB/A, SXE4/A, SXE8/A, SXQ4/A, SXU/A, VA2/A, VXB/A, VXB7/A, VXE2/A, VXE7/A, VXE8/A, VXQ4/A, VX16/A, VX8/A |
| | | | 1 | - | - | 4071258 | EDK, VXK |
| | 17510-ZE3-800ZD | *R280*.....POWER RED | 1 | - | - | 3980512 | 4071258 ES1/A |
| | 17510-ZE3-800ZE | *T34*.....SIMPSON BLUE | 1 | - | - | 3980512 | QA2/A |
| | 17510-ZE3-800ZF | *T77*.....SEC WINE RED | 1 | - | - | 3980512 | ES1/A |
| | 17510-ZE3-800ZG | *Y131*.....LIGHTNING YELLOW | 1 | - | - | 3980512 | ES1/A |

2

| Ref. No. | Part No. | Description | Reqd. QTY | | | Serial No. | Parts catalogue code |
|----------|-----------------|---|-----------|-----|-----|---------------|---|
| | | | (1) | (2) | (3) | | |
| (5) | 17510-ZE3-801ZC | TANK COMP., FUEL *NH31*.....MCKINLEY WHITE | 1 | (1) | - | 4071259 | ----- EDK,ED8/A,ED9/A,ES1/A,LH/A,LHB3/A,LHB5,LHE/A,LJ/A,LT/A,LX/A,LXE/A L1/A,PX/A,P1/A,QH/A,QHB3/A,QHB5,QHP1/A,QMH/A,QP/A,QT/A,QX/A,QXC/A QXE/A,Q1/A,SH/A,SJ/A,STP/A,STQ/A,SX/A,SXE/A,S1/A,VX/A,VXE/A VXEB/A,VXK,VXU/A,VXU1/A |
| | | | 1 | - | - | ----- | ES2 |
| | 17510-ZE3-801ZD | *R280*.....POWER RED | 1 | - | - | ----- | ES2 |
| | | | 1 | - | - | 4071259 | ----- ES1/A |
| | 17510-ZE3-801ZF | *T77*.....SEC WINE RED | 1 | - | - | ----- | ES2 |
| | 17510-ZE3-801ZG | *Y131*.....LIGHTNING YELLOW | 1 | - | - | ----- | ES2 |
| 6 | 17620-ZE2-W00 | CAP COMP., FUEL FILLER (CHROME PLATED) | 1 | (1) | - | ----- 2302949 | BJ,ED7,ED8,ED9,ES,ES1,HA,HAQ,HH,HX,LH,LHC,LHE,LJ,LKE,LP,LX,LXE LXZ,L1,PX,P1,QA,QAE,QAP,QAPE,QAQ,QE,QH,QHC,QHE,QNE,QNE9,QP,QX,QXB QXC,QXE,QXEB,Q1,SE,SH,SHE,SHEZ,SJ,STJ,STP,STQ,SWX,SX,SXB,SXE,SXEB SXP,S1,VA,VDE,VE,VH,VHE,VX,VXB,VXE,VXEB,VXU,VXU1,V1,YJ |
| | | | 1 | - | - | ----- | LHB1,LHB3,LT,QHB3,QT,SHB1,SHB3 |
| | | | 1 | - | - | 3692070 | LHB3/A,LHB5,LT/A,QHB3/A,QHB5,QT/A,SHB3/A |
| 7 | 17620-ZH7-013 | CAP COMP., FUEL FILLER | 1 | (1) | - | ----- 2302950 | 4122402 BJ,ED7,ED8,ED9,ES,ES1,HA,HAQ,HH,HX,LH,LHC,LHE,LJ,LKE,LP,LX,LXE LXZ,L1,PX,P1,QA,QAE,QAP,QAPE,QAQ,QE,QH,QHC,QHE,QNE,QNE9,QP,QX,QXB QXC,QXE,QXEB,Q1,SE,SH,SHE,SHEZ,SJ,STJ,STP,STQ,SWX,SX,SXB,SXE,SXEB SXP,S1,VA,VDE,VE,VH,VHE,VX,VXB,VXE,VXEB,VXU,VXU1,V1,YJ |
| | | | 1 | - | - | ----- 4122402 | HA2,HX2,HX26,LHQ4,LHW,LJG,LSX,LXE2,LXE4,LXE6,LXQ4,LX2,LX26,PKT2 QAE2,QAE6,QAP2,QA2,QA26,QDW9,QHP1,QHQ4,QH2,QMEO,QMT2,QNE2,QNE6 QNR2,QNR6,QN18,QPE2,QTC2,QXC4,QXC6,QXC9,QXE2,QXE4,QXE6,QXQ4,QX2 SDE,SHQ4,SJG,SKZ,SME0,SME2,SMX2,SXE2,SXE4,SXQ4,VA2,VD16,VEB6,VXB2 VXE2,VXE4,VXE6,VXG,VXQ4,VX16 |
| | 17620-ZH7-023 | CAP COMP., FUEL FILLER (BLACK) | 1 | (1) | - | ----- 4122403 | ----- BJ,ED7,ED8,ED9,ES,ES1,HA,HAQ,HA2,HH,HX,HX2,HX26,LH,LHC,LHE,LHQ4 LHW,LJ,LJG,LKE,LP,LSX,LX,LXE,LXE2,LXE4,LXE6,LXQ4,LXZ,LX2,LX26,L1 PKT2,PX,P1,QA,QAE,QAE2,QAE6,QAP,QAPE,QAP2,QAQ,QA2,QA26,QDW9,QE,QH QHC,QHE,QHP1,QHQ4,QH2,QMEO,QMT2,QNE,QNE2,QNE6,QNE9,QNR2,QNR6,QN18 QP,QPE2,QTC2,QX,QXB,QXC,QXC4,QXC6,QXC9,QXE,QXEB,QXE2,QXE4,QXE6 QXQ4,QX2,Q1,SDE,SE,SH,SHE,SHEZ,SHQ4,SJ,SJG,SKZ,SME0,SME2,SMX2,STJ STP,STQ,SWX,SX,SXB,SXE,SXEB,SXE2,SXE4,SXP,SXQ4,S1,VA,VA2,VDE,VD16 VE,VEB6,VH,VHE,VX,VXB,VXB2,VXE,VXEB,VXE2,VXE4,VXE6,VXG,VXQ4,VXU VXU1,VX16,V1,YJ |
| | | | 1 | (1) | - | ----- 3692070 | ED8/A,ED9/A,ES1/A,HA2/A,HX26/A,LH/A,LHE/A,LHQ4/A,LJ/A,LJG/A,LJS/A LKE/A,LWD,LWD1/A,LX/A,LXE/A,LXE2/A,LXE4/A,LXE8/A,LXQ4/A,LXU/A LX2/A,LX26/A,L1/A,PKT2/A,PKT4/A,PKX2,PKX4/A,PX/A,PXE8/A,P1/A QAB2/A,QAE2/A,QAE6/A,QAG/A,QA2/A,QA26/A,QA26/A,QDW9/A,QE/A QH/A,QHE/A,QHP1/A,QHQ4/A,QKA4/A,QMEO/A,QME8/A,QMH/A,QMT2/A,QNE2/A QNE9/A,QNR2/A,QNR6/A,QP/A,QTC2/A,QWH2/A,QX/A,QXB/A,QXB7/A,QXC/A QXC4/A,QXC6/A,QXC9/A,QXE/A,QXE4/A,QXE6/A,QXE8/A,QXQ4/A,QXU/A,Q1/A SE/A,SH/A,SHQ4/A,SJ/A,SJG/A,SKE/A,SKZ/A,SME0/A,SMX2/A,STJ/A,STP/A STQ/A,SWX/A,SX/A,SXB/A,SXB7/A,SXE/A,SXEB/A,SXE4/A,SXE8/A,SXQ4/A SXU/A,S1/A,VA2/A,VX/A,VXB/A,VXB7/A,VXE/A,VXEB/A,VXE2/A,VXE7/A VXE8/A,VXQ4/A,VXU/A,VXU1/A,VX16/A,VX8/A |
| | | | 1 | - | - | ----- | LJS,LWD1,LXE8,LXU,PKT4,PKX4,PXE8,QAB2,QAG,QA2,QKA4,QL2,QME8,QMH QMX2,QWH2,QXB7,QXE8,QXU,SKE,SXB7,SXE8,SXU,VMX,VXB7,VXE7,VXE8,VX8 |





ZK30-E1700D

FR. →

| Ref. No. | Part No. | Description | Reqd. QTY | | | Serial No. | Parts catalogue code |
|----------|---------------|---------------------------------------|-----------|-----|-----|---------------|---|
| | | | GX | (1) | (2) | | |
| 8 | 17631-ZH7-003 | PACKING, FUEL FILLER CAP (39X58X3) | 1 | (1) | - | 2302950 ----- | BJ, ED7, ED8, ED9, ES, ES1, HA, HAQ, HH, HX, LH, LHC, LHE, LJ, LKE, LP, LX, LXE, LXZ, L1, PX, P1, QA, QAE, QAP, QAPE, QAA, QE, QH, QHC, QHE, QNE, QNE9, QP, QX, QXB, QXC, QXE, QXEB, Q1, SE, SH, SHE, SHEZ, SJ, STJ, STP, STQ, SWX, SX, SXB, SXE, SXEB, SXP, S1, VA, VDE, VE, VH, VHE, VX, VXB, VXE, VXEB, VXU, VXU1, V1, YJ |
| | | | 1 | (1) | - | ----- 3692070 | ED8/A, ED9/A, ES1/A, HA2/A, HX26/A, LH/A, LHE/A, LHQ4/A, LJ/A, LJG/A, LJS/A, LKE/A, LWD, LWD1/A, LX/A, LXE/A, LXE2/A, LXE4/A, LXE8/A, LXQ4/A, LXU/A, LX2/A, LX26/A, L1/A, PKT2/A, PKT4/A, PKX2, PKX4/A, PX/A, PXE8/A, P1/A, QAB2/A, QAE2/A, QAE6/A, QAG/A, QAH2/A, QAP2/A, QA2/A, QA26/A, QDW9/A, QE/A, QH/A, QHE/A, QHP1/A, QHQ4/A, QKA4/A, QMED/A, QME8/A, QMH/A, QMT2/A, QNE2/A, QNE9/A, QNR2/A, QNR6/A, QP/A, QTC2/A, QWH2/A, QX/A, QXB/A, QXB7/A, QXC/A, QXC4/A, QXC6/A, QXC9/A, QXE/A, QXE4/A, QXE6/A, QXE8/A, QXQ4/A, QXU/A, Q1/A, SE/A, SH/A, SHQ4/A, SJ/A, SJG/A, SKE/A, SKZ/A, SMED/A, SMX2/A, STJ/A, STP/A, STQ/A, SWX/A, SX/A, SXB/A, SXB7/A, SXE/A, SXEB/A, SXE4/A, SXE8/A, SXQ4/A, SXU/A, S1/A, VA2/A, VX/A, VXB/A, VXB7/A, VXE/A, VXEB/A, VXE2/A, VXE7/A, VXE8/A, VXQ4/A, VXU/A, VXU1/A, VX16/A, VX8/A |
| | | | 1 | - | - | ----- | HA2, HX2, HX26, LHQ4, LHW, LJG, LJS, LSX, LWD1, LXE2, LXE4, LXE6, LXE8, LXQ4, LXU, LX2, LX26, PKT2, PKT4, PKX4, PXE8, QAB2, QAE2, QAE6, QAG, QAH2, QAP2, QA2, QA26, QDW9, QHP1, QHQ4, QH2, QKA4, QL2, QMED, QME8, QMH, QMT2, QMX2, QNE2, QNE6, QNR2, QNR6, QN18, QPE2, QTC2, QWH2, QXB7, QXC4, QXC6, QXC9, QXE2, QXE4, QXE6, QXE8, QXQ4, QXU, QX2, SDE, SHQ4, SJG, SKE, SKZ, SMED, SME2, SMX2, SXB7, SXE2, SXE4, SXE8, SXQ4, SXU, VA2, VD16, VEB6, VMX, VXB2, VXB7, VXE2, VXE4, VXE6, VXE7, VXE8, VXG, VXQ4, VX16, VX8 |

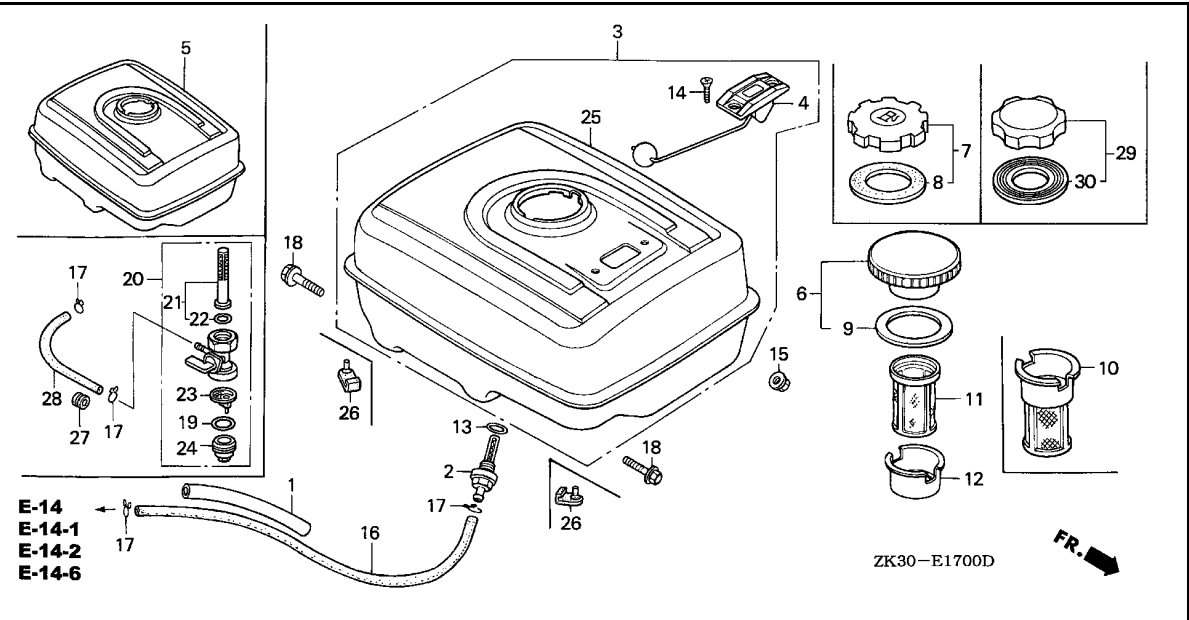
| Ref. No. | Part No. | Description | Reqd. QTY | | | Serial No. | Parts catalogue code |
|----------|----------------|---------------------------------------|-----------|-----|-----|------------|--|
| | | | (1) | (2) | (3) | | |
| 9 | 17631-329-003 | PACKING, FUEL FILLER CAP (39X58X3) | 1 | (1) | - | 2302949 | BJ, ED7, ED8, ED9, ES, ES1, HA, HAQ, HH, HX, LH, LHC, LHE, LJ, LKE, LP, LX, LXE, LXZ, L1, PX, P1, QA, QAE, QAP, QAPE, QAE, QH, QHC, QHE, QNE, QNE9, QP, QX, QXB, QXC, QXE, QXEB, Q1, SE, SH, SHE, SHEZ, SJ, STJ, STP, STQ, SWX, SX, SXB, SXE, SXEB, SXP, S1, VA, VDE, VE, VH, VHE, VX, VXB, VXE, VXEB, VXU, VXU1, V1, YJ |
| | | | 1 | - | - | | LHB1, LHB3, LT, QHB3, QT, SHB1, SHB3 |
| | | | 1 | - | - | 3692070 | LHB3/A, LHB5, LT/A, QHB3/A, QHB5, QT/A, SHB3/A |
| 10 | 17672-ZE2-W00 | FILTER, FUEL | 1 | (1) | - | 2146374 | BJ, ED7, ES, ES1, HA, LJ, L1, P1, QA, QAE, QAP, QE, QNE, QP, QT, Q1, SE, SJ, STJ, STP, STQ, SWX, S1, VA, VE, V1, YJ |
| | | | 1 | - | - | 2084185 | 2146374 QAPE |
| | 17672-ZE2-W01 | | 1 | (1) | - | | EDK, ED8/A, ED9/A, ES1/A, ES2, HA2, HA2/A, LHB3, LHB3/A, LHB5, LHW, LJ/A, LJG, LJG/A, LJS, LJS/A, LJS1, LSX, LT, LT/A, LWD, L1/A, PKT2, PKT2/A, PKT4, PKT4/A, PKX2, PKX4, PKX4/A, P1/A, QAB2, QAB2/A, QAE2, QAE2/A, QAE6, QAE6/A, QAG, QAG/A, QAH2, QAH2/A, QAP2, QAP2/A, QA2, QA2/A, QA26, QA26/A, QE/A, QHB3, QHB3/A, QHB5, QL2, QME8, QME8/A, QMX2, QNE2, QNE2/A, QNE6, QNE9/A, QNR2, QNR2/A, QNR6, QNR6/A, QN18, QP/A, QPE2, QT/A, QTC2, QTC2/A, Q1/A, SDE, SE/A, SHB3, SHB3/A, SJ/A, SJG, SJG/A, SKE, SKE/A, SKZ, SKZ/A, SME2, SMX2, SMX2/A, STJ/A, STP/A, STQ/A, SWX/A, S1/A, VA2, VA2/A |
| | | | 1 | (1) | - | 2242328 | BJ, LJ, L1, P1, Q1, SJ, STJ, STP, STQ, S1, V1, YJ |
| | | | 1 | - | - | 2240293 | ED7, ED8, ED9, ES, ES1, HA, HAQ, QA, QAE, QAP, QAPE, QAE, QH, QNE, QNE9, QP, QT, SE, SWX, VA, VE |
| 11 | 17672-880-000 | FILTER, FUEL | 1 | (1) | - | 2146375 | 2242327 BJ, LJ, L1, P1, Q1, SJ, STJ, STP, STQ, S1, V1, YJ |
| | | | 1 | - | - | | 2240292 ED8, ED9, HAQ, QAQ, QNE9 |
| | | | 1 | - | - | 2146375 | 2240292 ED7, ES, ES1, HA, QA, QAE, QAP, QAPE, QE, QNE, QP, QT, SE, SWX, VA, VE |
| 12 | 17673-893-000 | HOLDER, FUEL FILTER | 1 | (1) | - | 2146375 | 2242327 BJ, LJ, L1, P1, Q1, SJ, STJ, STP, STQ, S1, V1, YJ |
| | | | 1 | - | - | | 2240292 ED8, ED9, HAQ, QAQ, QNE9 |
| | | | 1 | - | - | 2146375 | 2240292 ED7, ES, ES1, HA, QA, QAE, QAP, QAPE, QE, QNE, QP, QT, SE, SWX, VA, VE |
| 13 | 91353-671-004 | O-RING, 14MM(NOK) | 1 | - | - | | BJ, EDK, EDS4, ED7, ED8, ED8/A, ED9, ED9/A, ENT2, EN6, EN6/A, ES, ES1, ES1/A, ES2, HA, HAQ, HA2, HA2/A, HH, HX, HX2, HX26, HX26/A, LH, LH/A, LHB1, LHB3, LHB3/A, LHB5, LHC, LHE, LHE/A, LHQ4, LHQ4/A, LHW, LJ, LJ/A, LJG, LJG/A, LJS, LJS/A, LJS1, LKE, LKE/A, LP, LSX, LT, LT/A, LWD, LWD1, LWD1/A, LX, LX/A, LXE, LXE/A, LXE2, LXE2/A, LXE4, LXE4/A, LXE6, LXE6/A, LXE8, LXE8/A, LXQ4, LXQ4/A, LXU, LXU/A, LXZ, LX2, LX2/A, LX26, LX26/A, PKT2, PKT2/A, PKT4, PKT4/A, PKX2, PKX4, PKX4/A, PX, PX/A, PXA2, PXE8, PXE8/A, QA, QAB2, QAB2/A, QAE, QAE2, QAE2/A, QAE6, QAE6/A, QAG, QAG/A, QAH2, QAH2/A, QAP, QAPE, QAP2, QAP2/A, QAQ, QA2, QA2/A, QA26, QA26/A, QDW9, QDW9/A, QE, QE/A, QH, QH/A, QHB3, QHB3/A, QHB5, QHC, QHE, QHE/A, QHP1, QHP1/A, QHQ4, QHQ4/A, QH2, QKA4, QKA4/A, QL2, QMEO, QMEO/A, QME8, QME8/A, QMH, QMH/A, QMT2, QMT2/A, QMX2, QNE, QNE2, QNE2/A, QNE6, QNE9, QNE9/A, QNR2, QNR2/A, QNR6, QNR6/A, QN18, QP, QP/A, QPE2, QT, QT/A, QTC2, QTC2/A, QWH2, QWH2/A, QX, QX/A, QXB, QXB/A, QXB7, QXB7/A, QXC, QXC/A, QXC4, QXC4/A, QXC6, QXC6/A, QXC9, QXC9/A, QXE, QXE/A, QXEB, QXE2, QXE4, QXE4/A, QXE6, QXE6/A, QXE8, QXE8/A, QXQ4, QXQ4/A, QXU, QXU/A, QX2, SDE, SE, SE/A, SH, SH/A, SHB1, SHB3, SHB3/A, SHE, SHEZ, SHQ4, SHQ4/A, SJ, SJ/A, SJG, SJG/A, SKE, SKE/A, SKZ, SKZ/A, SME0, SME0/A, SME2, SMX2, SMX2/A, STJ, STJ/A, STP, STP/A, STQ, STQ/A, SWX, SWX/A, SX, SX/A, SXB, SXB/A, SXB7, SXB7/A, SXE, SXE/A, SXEB, SXEB/A, SXE2, SXE2/A, SXE4, SXE4/A, SXE8, SXE8/A, SXP, SXQ4, SXQ4/A, SXU, SXU/A, VA, VA2, VA2/A, VDE, VDE2, VDE2/A, VD16, VE, VEB6, VH, VHE, VMQ, VMX, VNG, VSH7, VS4, VS6, VX, VX/A, VXB, VXB/A, VXB2, VXB7, VXB7/A, VXE, VXE/A, VXE8, VXE8/A, VXG, VXG/A, VXQ4, VXQ4/A, VXU, VXU/A, VXU1, VXU1/A, VX16, VX16/A, VX8, VX8/A, YJ |
| | | | - | (1) | - | | |
| 14 | 93600-05010-0A | SCREW, FLAT, 5X10 | 2 | - | - | | LJG, LJG/A, LJS, LJS/A, LJS1, LWD, LWD1, LWD1/A, SDE, SJG, SJG/A, SKE, SKE/A, SKZ/A, STJ, STJ/A, VMQ, VXG |
| | | | 2 | - | - | 2599031 | SKZ |
| | | | - | (2) | - | | |



E-17

FUEL TANK(1)

2-D 4

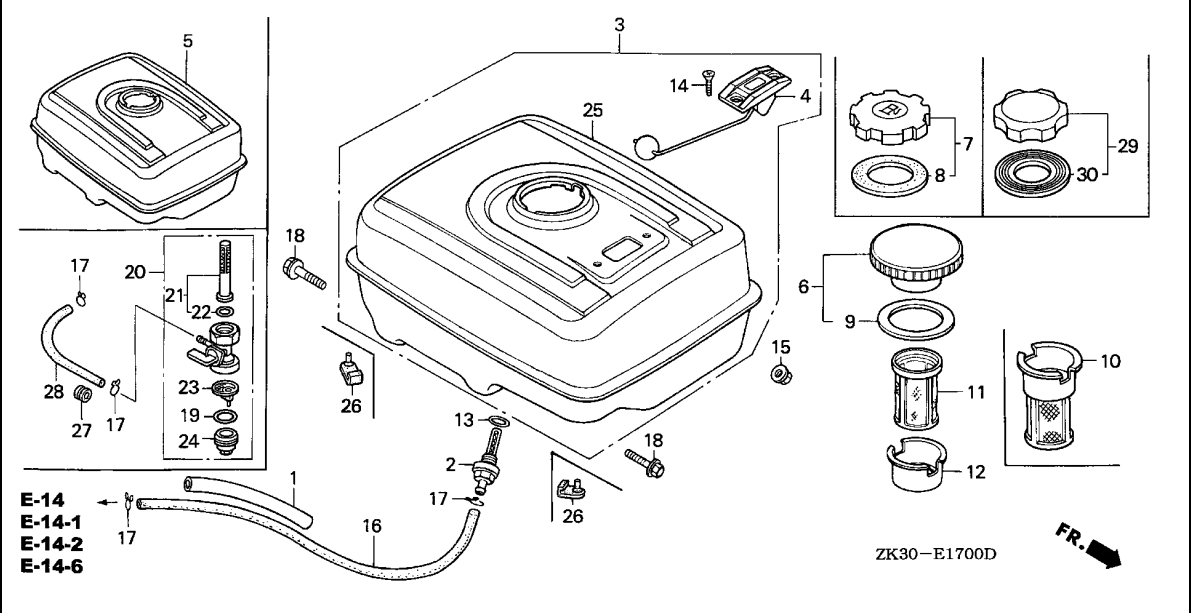


2

| Ref. No. | Part No. | Description | Reqd. QTY | | | Serial No. | Parts catalogue code |
|----------|-------------|------------------------|-----------|-------|-----|------------|---|
| | | | GX | 340K1 | | | |
| | | | (1) | (2) | (3) | | |
| 15 | 94050-08000 | NUT, FLANGE, 8MM | 2 | - | - | ----- | BJ,EDK,EDS4,ED7,ED8,ED8/A,ED9,ED9/A,ENT2,EN6,EN6/A,ES,ES1,ES1/A,ES2,HA,HAQ,HA2,HA2/A,HH,HX,HX2,HX26,HX26/A,LH,LH/A,LHB1,LHB3,LHB3/A,LHB5,LHC,LHE,LHE/A,LHQ4,LHQ4/A,LHW,LJ,LJ/A,LJG,LJG/A,LJS,LJS/A,LJS1,LKE,LKE/A,LP,LSX,LT,LT/A,LWD,LWD1,LWD1/A,LX,LX/A,LXE,LXE/A,LXE2,LXE2/A,LXE4,LXE4/A,LXE6,LXE8,LXE8/A,LXQ4,LXQ4/A,LXU,LXU/A,LXZ,LX2,LX2/A,LX26,LX26/A,PKT2,PKT2/A,PKT4,PKT4/A,PKX2,PKX4,PKX4/A,PX,PX/A,PXA2,PXE8,PXE8/A,QA,QAB2,QAB2/A,QAC2,QAC2/A,QAE,QAE2,QAE2/A,QAE6,QAE6/A,QAG,QAG/A,QAH2,QAH2/A,QAP,QAPE,QAP2,QAP2/A,QAQ,QA2,QA2/A,QA26,QA26/A,QDW9,QDW9/A,QE,QE/A,QH,QH/A,QHB3,QHB3/A,QHB5,QHC,QHE,QHE/A,QHP1,QHP1/A,QHQ4,QHQ4/A,QH2,QKA4,QKA4/A,QL2,QMEO,QMEO/A,QME8,QME8/A,QMH,QMH/A,QMT2,QMT2/A,QMX2,QNE,QNE2,QNE2/A,QNE6,QNE9,QNE9/A,QNR2,QNR2/A,QNR6,QNR6/A,QN18,QP,QP/A,QPE2,QT,QT/A,QTC2,QTC2/A,QWH2,QWH2/A,QX,QX/A,QXB,QXB/A,QXB7,QXB7/A,QXC,QXC/A,QXC4,QXC4/A,QXC6,QXC6/A,QXC9,QXC9/A,QXE,QXE/A,QXE6,QXE6/A,QXE8,QXE8/A,QXQ4,QXQ4/A,QXU,QXU/A,QX2,SDE,SE,SE/A,SH,SH/A,SHB1,SHB3,SHB3/A,SHE,SHEZ,SHQ4,SHQ4/A,SJ,SJ/A,SJG,SJG/A,SKE,SKE/A,SKZ,SKZ/A,SMEO,SMEO/A,SME2,SMX2,SMX2/A,STJ,STJ/A,STP,STP/A,STQ,STQ/A,SWX,SWX/A,SX,SX/A,SXB,SXB/A,SXB7,SXB7/A,SXE,SXE/A,SXEB,SXEB/A,SXE2,SXE4,SXE4/A,SXE8,SXE8/A,SXP,SXQ4,SXQ4/A,SXU,SXU/A,VA,VA2,VA2/A,VDE,VDE2,VDE2/A,VD16,VE,VEB6,VH,VHE,VMQ,VMX,VS4,VS6,VWE2,VWE2/A,VW12,VW12/A,VX,VX/A,VXB,VXB/A,VXB2,VXB7,VXB7/A,VXE,VXE/A,VXEB,VXEB/A,VXE2,VXE2/A,VXE4,VXE6,VXE7,VXE7/A,VXE8,VXE8/A,VXG,VXK,VXQ4,VXQ4/A,VXU,VXU/A,VXU1,VXU1/A,VX16,VX16/A,VX8,VX8/A,YJ |
| | | | - | 2 | - | | |

| Ref. No. | Part No. | Description | Reqd. QTY | | | Serial No. | Parts catalogue code |
|----------|----------------|--|-----------|-----|-----|-----------------|--|
| | | | (1) | (2) | (3) | | |
| 16 | 95001-45235-40 | TUBE, FUEL, 4.5X235 (95001-45001-60M) | 1 | - | - | ----- | BJ, EDK, ED7, ED8, ED8/A, ED9, ED9/A, ES, ES1, ES1/A, ES2, HA, HAQ, HA2, HA2/A, HH, HX, HX2, HX26, HX26/A, LH, LH/A, LHB1, LHB3, LHB3/A, LHB5, LHC, LHE, LHE/A, LHQ4, LHQ4/A, LHW, LJ, LJ/A, LJG, LJG/A, LJS, LJS/A, LJS1, LKE, LKE/A, LP, LSX, LT, LT/A, LWD, LWD1, LWD1/A, LX, LX/A, LXE, LXE/A, LXE2, LXE2/A, LXE4, LXE4/A, LXE6, LXE8, LXE8/A, LXQ4, LXQ4/A, LXU, LXU/A, LXZ, LXZ, LXZ/A, LXZ6, LXZ6/A, PKT2, PKT2/A, PKT4, PKT4/A, PKX2, PKX4, PKX4/A, PX, PX/A, PXA2, PXE8, PXE8/A, QA, QAB2, QAB2/A, QAE, QAE2, QAE2/A, QAE6, QAE6/A, QAG, QAG/A, QAH2, QAH2/A, QAP, QAPE, QAP2, QAP2/A, QAQ, QA2, QA2/A, QA26, QA26/A, QDW9, QDW9/A, QE, QE/A, QH, QH/A, QHB3, QHB3/A, QHB5, QHC, QHE, QHE/A, QHP1, QHP1/A, QHQ4, QHQ4/A, QH2, QKA4, QKA4/A, QL2, QMEO, QMEO/A, QME8, QME8/A, QMH, QMH/A, QMT2, QMT2/A, QMX2, QNE, QNE2, QNE2/A, QNE6, QNE9, QNE9/A, QNR2, QNR2/A, QNR6, QNR6/A, QN18, QP, QP/A, QPE2, QT, QT/A, QTC2, QTC2/A, QWH2, QWH2/A, QX, QX/A, QXB, QXB/A, QXB7, QXB7/A, QXC, QXC/A, QXC4, QXC4/A, QXC6, QXC6/A, QXC9, QXC9/A, QXE, QXE/A, QXEB, QXE2, QXE4, QXE4/A, QXE6, QXE6/A, QXE8, QXE8/A, QXQ4, QXQ4/A, QXU, QXU/A, QX2, SDE, SE, SE/A, SH, SH/A, SHB1, SHB3, SHB3/A, SHE, SHEZ, SHQ4, SHQ4/A, SJ, SJ/A, SJG, SJG/A, SKE, SKE/A, SKZ, SKZ/A, SME0, SME0/A, SME2, SMX2, SMX2/A, STJ, STJ/A, STP, STP/A, STQ, STQ/A, SWX, SWX/A, SX, SX/A, SXB, SXB/A, SXB7, SXB7/A, SXE, SXE/A, SXEB, SXEB/A, SXE2, SXE4, SXE4/A, SXE8, SXE8/A, SXP, SXQ4, SXQ4/A, SXU, SXU/A, VA, VAW1, VA2, VA2/A, VC2, VC2/A, VDE, VDE2, VDE2/A, VD16, VE, VEB6, VH, VHE, VMX, VNG1, VNG2, VSH7, VWC, VWE, VWE2, VWE2/A, VW12, VW12/A, VX, VX/A, VXB, VXB/A, VXB2, VXB7, VXB7/A, VXE, VXE/A, VXEB, VXEB/A, VXE2, VXE2/A, VXE4, VXE6, VXE7, VXE7/A, VXE8, VXE8/A, VXG, VXX, VXQ4, VXQ4/A, VXU, VXU/A, VXU1, VXU1/A, VX16, VX16/A, VX8, VX8/A, YJ |
| | | | - | (1) | - | | |
| | 95001-45430-40 | TUBE, FUEL, 4.5X430 (95001-45001-60M) | 1 | - | - | ----- | QAC2, QAC2/A |
| | 95001-55200-40 | TUBE, FUEL, 5.3X200 (95001-55001-60M) | 1 | - | - | 2343603 2616063 | ZK1 |
| | 95001-55240-40 | TUBE, FUEL, 5.3X240 (95001-55001-60M) | 1 | - | - | ----- | ZK1/A |
| | | | 1 | - | - | 2616064 | ZK1 |



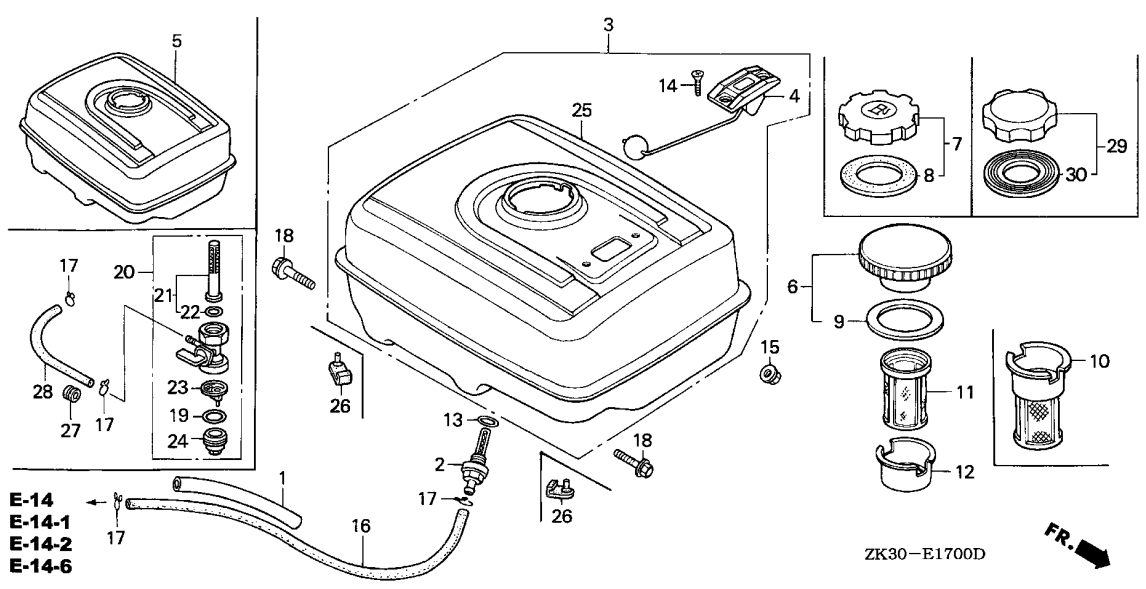


| Ref. No. | Part No. | Description | Reqd. QTY | | | Serial No. | Parts catalogue code |
|----------|---------------|------------------|-----------|-----|-----|------------|---|
| | | | GX | (1) | (2) | | |
| 17 | 95002-02080 | CLIP, TUBE (B8) | 2 | - | - | | BJ,EDK,EDS2,EDS2/A,EDS4,EDT2,ED7,ED8,ED8/A,ED9,ED9/A,ENT2,EN6,EN6/A,ES,ES1,ES1/A,ES2,HA,HAQ,HA2,HA2/A,HH,HX,HX2,HX26/A,LH,LH/A,LHB1,LHB3,LHB3/A,LHB5,LHC,LHE,LHE/A,LHQ4,LHQ4/A,LHW,LJ,LJ/A,LJG,LJG/A,LJS,LJS/A,LJS1,LKE,LKE/A,LP,LSX,LT,LT/A,LWD,LWD1,LWD1/A,LX,LX/A,LXE,LXE/A,LXE2,LXE2/A,LXE4,LXE4/A,LXE6,LXE8,LXE8/A,LXQ4,LXQ4/A,LXU,LXU/A,LXZ,LX2,LX2/A,LX26,LX26/A,PKT2,PKT2/A,PKT4,PKT4/A,PKX2,PKX4,PKX4/A,PX,PX/A,PXA2,PXE8,PXE8/A,QA,QAB2,QAB2/A,QAC2,QAC2/A,QAQ,QAQ2,QAQ2/A,QAQ6,QAQ6/A,QAG,QAG/A,QAQ2,QAQ2/A,QAP,QAPE,QAP2,QAP2/A,QAQ,QA2,QA2/A,QA26,QA26/A,QDW9,QDW9/A,QE,QE/A,QH,QH/A,QHB3,QHB3/A,QHB5,QHC,QHE,QHE/A,QHP1,QHP1/A,QHQ4,QHQ4/A,QHZ,QKA4,QKA4/A,QL2,QMEO,QMEO/A,QME8,QME8/A,QMH,QMH/A,QMT2,QMT2/A,QMX2,QNE,QNE2,QNE2/A,QNE6,QNE9,QNE9/A,QNR2,QNR2/A,QNR6,QNR6/A,QN18,QP,QP/A,QPE2,QT,QT/A,QTC2,QTC2/A,QWH2,QWH2/A,QX,QX/A,QXB,QXB/A,QXB7,QXB7/A,QXC,QXC/A,QXC4,QXC4/A,QXC6,QXC6/A,QXC9,QXC9/A,QXE,QXE/A,QXEB,QXE2,QXE4,QXE4/A,QXE6,QXE6/A,QXE8,QXE8/A,QXQ4,QXQ4/A,QXU,QXU/A,QX2,SDE,SE,SE/A,SH,SH/A,SHB1,SHB3,SHB3/A,SHE,SHEZ,SHQ4,SHQ4/A,SJ,SJ/A,SJG,SJG/A,SKE,SKE/A,SKZ,SKZ/A,SME0,SME0/A,SME2,SMX2,SMX2/A,STJ,STJ/A,STP,STP/A,STQ,STQ/A,SWX,SWX/A,SX,SX/A,SXB,SXB/A,SXB7,SXB7/A,SXE,SXE/A,SXEB,SXEB/A,SXE2,SXE4,SXE4/A,SXE8,SXE8/A,SXP,SXQ4,SXQ4/A,SXU,SXU/A,VA,VAW1,VA2,VA2/A,VC2,VC2/A,VDE,VDE2,VDE2/A,VD16,VE,VEB6,VH,VHE,VMQ,VMX,VNG1,VNG2,VSH7,VS4,VS6,VMC,VME,VME2,VWE2/A,VW12,VW12/A,VX,VX/A,VXB,VXB/A,VXB2,VXB7,VXB7/A,VXE,VXE/A,VXEB,VXEB/A,VXE2,VXE2/A,VXE4,VXE6,VXE7,VXE7/A,VXE8,VXE8/A,VXG,VXK,VXQ4,VXQ4/A,VXU,VXU/A,VXU1,VXU1/A,VX16/VX16/A,VX8,VX8/A,YJ |
| | 90603-ZV4-000 | CLIP, TUBE (B10) | 2 | (2) | - | | ZK1/A ZK1 |

2

| Ref. No. | Part No. | Description | Reqd. QTY | | | Serial No. | Parts catalogue code |
|----------|----------------|---|-----------|-----|-----|---------------|---|
| | | | (1) | (2) | (3) | | |
| 18 | 95701-08025-00 | BOLT, FLANGE, 8X25 | 2 | - | - | ----- | BJ,EDK,ED7,ED8,ED8/A,ED9,ED9/A,ES,ES1,ES1/A,ES2,HA,HAQ,HA2,HA2/A,HH,HX,HX2,HX26,HX26/A,LH,LH/A,LHB1,LHB3,LHB3/A,LHB5,LHC,LHE,LHE/A,LHQ4,LHQ4/A,LHW,LJ,LJ/A,LJG,LJG/A,LJS,LJS/A,LJS1,LKE,LKE/A,LP,LSX,LT,LT/A,LX,LX/A,LXE,LXE/A,LXE2,LXE2/A,LXE4,LXE4/A,LXE6,LXE8,LXE8/A,LXQ4,LXQ4/A,LXU,LXU/A,LXZ,LX2,LX2/A,LX26,LX26/A,PKT2,PKT2/A,PKT4,PKT4/A,PKX2,PKX4,PKX4/A,PX,PX/A,PXA2,PXE8,PXE8/A,QA,QAB2,QAB2/A,QAE,QAE2,QAE2/A,QAE6,QAE6/A,QAG,QAG/A,QA2,QA2/A,QAP,QAPE,QAP2,QAP2/A,QAQ,QA2,QA2/A,QA26,QA26/A,QDW9,QDW9/A,QE,QE/A,QH,QH/A,QHB3,QHB3/A,QHB5,QHC,QHE,QHE/A,QHP1,QHP1/A,QHQ4,QHQ4/A,QH2,QKA4,QKA4/A,QL2,QMED,QMED/A,QME8,QME8/A,QMH,QMH/A,QMT2,QMT2/A,QMX2,QNE,QNE2,QNE2/A,QNE6,QNE9,QNE9/A,QNR2,QNR2/A,QNR6,QNR6/A,QN18,QP,QP/A,QPE2,QT,QT/A,QTC2,QTC2/A,QWH2,QWH2/A,QX,QX/A,QXB,QXB/A,QXB7,QXB7/A,QXC,QXC/A,QXC4,QXC4/A,QXC6,QXC6/A,QXC9,QXC9/A,QXE,QXE/A,QXEB,QXE2,QXE4,QXE4/A,QXE6,QXE6/A,QXE8,QXE8/A,QXQ4,QXQ4/A,QXU,QXU/A,QX2,SDE,SE,SE/A,SH,SH/A,SHB1,SHB3,SHB3/A,SHE,SHEZ,SHQ4,SHQ4/A,SJ,SJ/A,SJG,SJG/A,SKE,SKE/A,SKZ,SKZ/A,SME0,SME0/A,SME2,SMX2,SMX2/A,STJ,STJ/A,STP,STP/A,STQ,STQ/A,SWX,SWX/A,SX,SX/A,SXB,SXB/A,SXB7,SXB7/A,SXE,SXE/A,SXEB,SXEB/A,SXE2,SXE4,SXE4/A,SXE8,SXE8/A,SXP,SXQ4,SXQ4/A,SXU,SXU/A,VA,VA2,VA2/A,VD16,VE,VEB6,VH,VHE,VMX,VX,VX/A,VXB,VXB/A,VXB2,VXB7,VXB7/A,VXE,VXE/A,VXEB,VXEB/A,VXE2,VXE2/A,VXE4,VXE6,VXE7,VXE7/A,VXE8,VXE8/A,VXG,VXK,VXQ4,VXQ4/A,VXU,VXU/A,VXU1,VXU1/A,VX16,VX16/A,VX8,VX8/A,YJ |
| | 95701-08028-00 | BOLT, FLANGE, 8X28 | - | (2) | - | ----- | LWD,LWD1,LWD1/A |
| 19 | 16173-001-004 | PACKING, FUEL STRAINER CUP .. | 2 | - | - | ----- | EDK,EDS2,EDS2/A,EDT2,VXK |
| 20 | 16950-ZB4-015 | COCK ASSY., FUEL | 1 | - | - | ----- | EDS2,EDS2/A,EDT2 |
| 21 | 16952-ZB4-005 | SCREEN, FUEL STRAINER | 1 | - | - | ----- | EDS2,EDS2/A,EDT2 |
| 22 | 16958-397-771 | O-RING | 1 | - | - | ----- | EDS2,EDS2/A,EDT2 |
| 23 | 16959-471-831 | FILTER, CUP | 1 | - | - | ----- | EDS2,EDS2/A,EDT2 |
| 24 | 16967-GA6-671 | CUP, FUEL STRAINER | 1 | - | - | ----- | EDS2,EDS2/A,EDT2 |
| 25 | 17510-ZE3-810 | TANK COMP., FUEL (GAUGE) | - | (1) | - | ----- | L1,L1/A,Q1,Q1/A,S1,S1/A,V1 |
| 26 | 50319-ZB2-000 | RUBBER, TANK MOUNTING | 2 | - | - | ----- | EDS2,EDS2/A,EDS4,EDT2 |
| 27 | 90854-ZB2-000 | RUBBER, FUEL (9X15X10) | 1 | - | - | ----- | EDS2,EDS2/A,EDS4,EDT2,ENT2,VS4,VS6 |
| 28 | 95001-45150-40 | TUBE, FUEL, 4.5X150 (95001-45001-60M) | 1 | - | - | ----- | EDS2,EDS2/A,EDS4,EDT2,VS4,VS6 |
| | 95001-45165-40 | TUBE, FUEL, 4.5X165 (95001-45001-60M) | 1 | - | - | ----- | ENT2 |
| 29 | 17620-Z0T-305 | CAP COMP., FUEL FILLER (CHROME PLATED) | 1 | (1) | - | 3692071 ----- | ED8/A,ED9/A,ES1/A,HA2/A,HX26/A,LH/A,LHB3/A,LHB5,LHE/A,LHQ4/A,LJ/A,LJG/A,LJS/A,LKE/A,LT/A,LWD,LWD1/A,LX/A,LXE/A,LXE2/A,LXE4/A,LXE8/A,LXQ4/A,LXU/A,LX2/A,LX26/A,L1/A,PKT2/A,PKT4/A,PKX2,PKX4/A,PX/A,PXE8/A,P1/A,QAB2/A,QAE2/A,QAE6/A,QAG/A,QA2,QA2/A,QA26/A,QA26/A,QDW9/A,QE/A,QH/A,QHB3/A,QHB5,QHE/A,QHP1/A,QHQ4/A,QKA4/A,QMED/A,QME8/A,QMH/A,QMT2/A,QNE2/A,QNE9/A,QNR2/A,QNR6/A,QP/A,QT/A,QTC2/A,QWH2/A,QX/A,QXB/A,QXB7/A,QXC/A,QXC4/A,QXC6/A,QXC9/A,QXE/A,QXE4/A,QXE6/A,QXE8/A,QXQ4/A,QXU/A,Q1/A,SE/A,SH/A,SHB3/A,SHQ4/A,SJ/A,SJG/A,SKE/A,SKZ/A,SME0/A,SMX2/A,STJ/A,STP/A,STQ/A,SWX/A,SX/A,SXB/A,SXB7/A,SXE/A,SXEB/A,SXE4/A,SXE8/A,SXQ4/A,SXU/A,S1/A,VA2/A,VX/A,VXB/A,VXB7/A,VXE/A,VXEB/A,VXE2/A,VXE7/A,VXE8/A,VXQ4/A,VXU/A,VXU1/A,VX16/A,VX8/A |
| | 17620-Z0T-814 | | 1 | - | - | ----- | EDK,ES2,LJS1,PXA2,VXK |
| | | | 1 | - | - | ----- | EDK,VXK |





ZK30-E1700D

FR. →

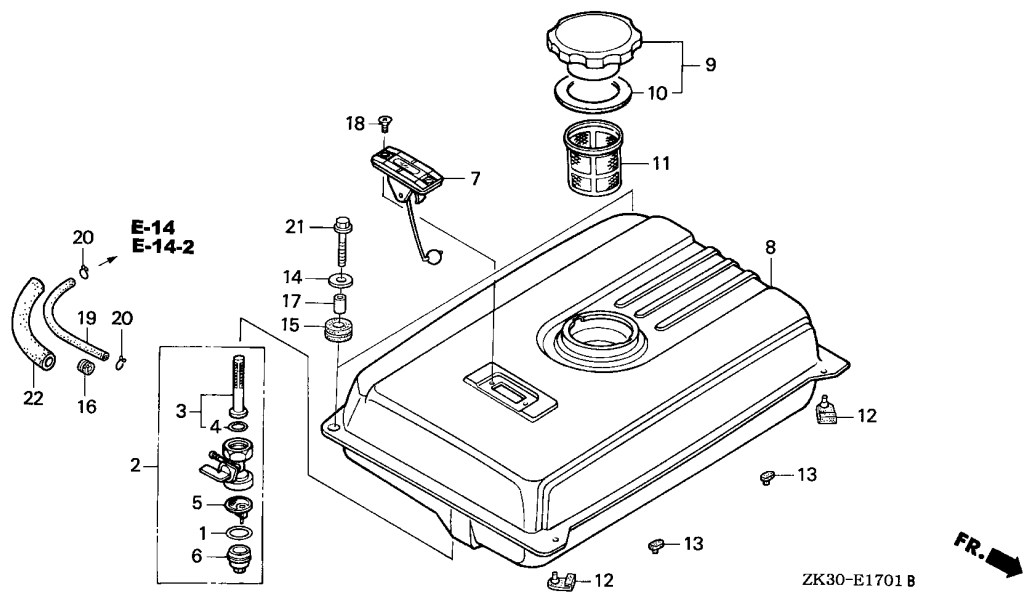
| Ref. No. | Part No. | Description | Reqd. QTY | | | Serial No. | Parts catalogue code |
|----------|---------------|---------------------------------------|-----------|-----|-----|---------------|--|
| | | | GX | (1) | (2) | | |
| 30 | 17631-ZOT-812 | PACKING, FUEL FILLER CAP (39X62X3) | 1 | (1) | - | 3692071 ----- | ED8/A,ED9/A,ES1/A,HA2/A,HX26/A,LH/A,LHB3/A,LHB5,LHE/A,LHQ4/A,LJ/A,LJG/A,LJS/A,LKE/A,LT/A,LWD,LWD1/A,LX/A,LXE/A,LXE2/A,LXE4/A,LXE8/A,LXQ4/A,LXU/A,LX2/A,LX26/A,L1/A,PKT2/A,PKT4/A,PKX2,PKX4/A,PX/A,PXE8/A,P1/A,QAB2/A,QAE2/A,QAE6/A,QAG/A,QA2/A,QA26/A,QD9/A,QE/A,QH/A,QHB3/A,QHB5,QHE/A,QHP1/A,QHQ4/A,QKA4/A,QMEO/A,QME8/A,QMH/A,QMT2/A,QNE2/A,QNE9/A,QNR2/A,QNR6/A,QP/A,QT/A,QTC2/A,QWH2/A,QX/A,QXB/A,QXB7/A,QXC/A,QXC4/A,QXC6/A,QXC9/A,QXE/A,QXE4/A,QXE6/A,QXE8/A,QXQ4/A,QXU/A,Q1/A,SE/A,SH/A,SHB3/A,SHQ4/A,SJ/A,SJG/A,SKE/A,SKZ/A,SME0/A,SMX2/A,STJ/A,STP/A,STQ/A,SWX/A,SX/A,SXB/A,SXB7/A,SXE/A,SXEB/A,SXE4/A,SXE8/A,SXQ4/A,SXU/A,S1/A,VA2/A,VX/A,VXB/A,VXB7/A,VXE/A,VXEB/A,VXE2/A,VXE7/A,VXE8/A,VXQ4/A,VXU/A,VXU1/A,VX16/A,VX8/A |
| | | | 1 | - | - | ----- | EDK,ES2,LJS1,PXA2,VXK |

2

E-17-1

FUEL TANK(2)

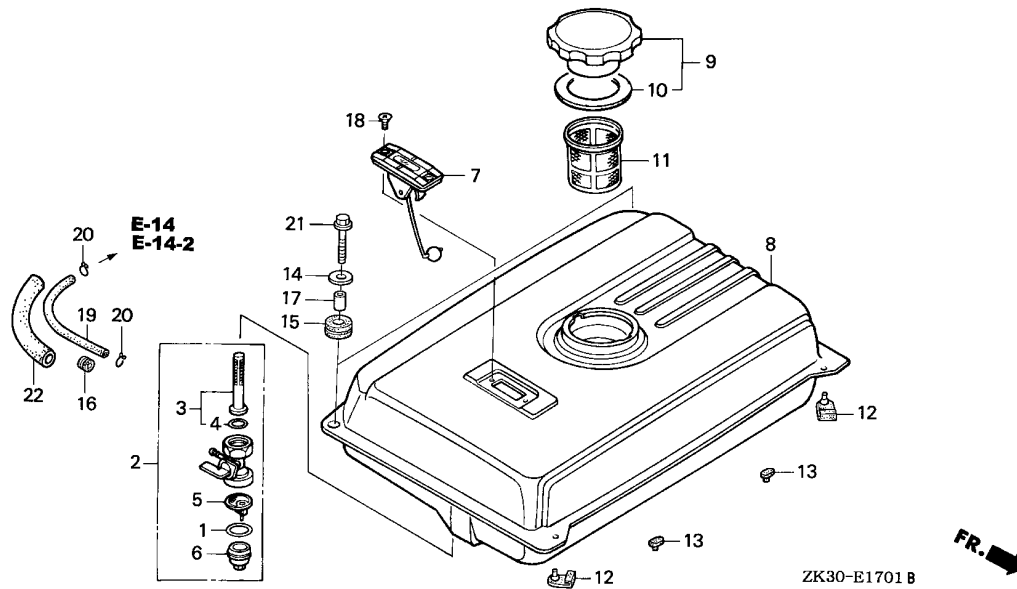
2-D 9



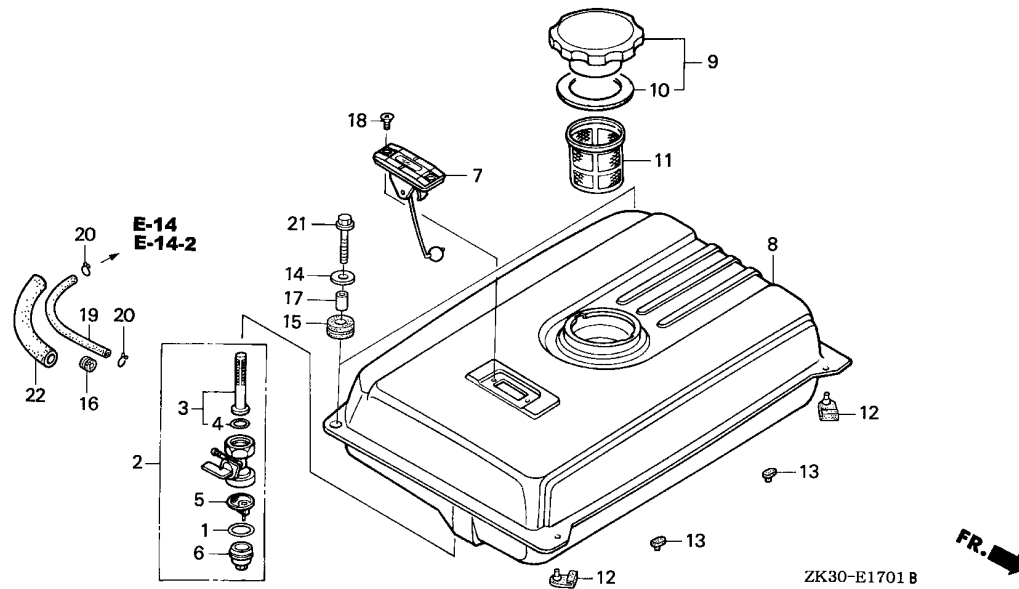
| Ref. No. | L.O.N. | (Relative ref. Number) Description | F.R.T. |
|----------|--------|------------------------------------|--------|
| 2 | 3101A3 | COCK, FUEL | 0.2 |
| 3 | 3101D5 | SCREEN, FUEL STRAINER | 0.2 |
| 5 | | (1,6) | |
| | 3101A7 | FILTER, FUEL TANK CUP | 0.2 |
| 7 | 6171A1 | METER/GAUGE UNIT, FUEL | 0.1 |
| 8 | 3101D0 | TANK, FUEL(A) | 0.3 |
| 11 | 3101A6 | FILTER, FUEL | 0.1 |
| 19 | 3101F2 | TUBE, FUEL COCK | 0.2 |

| Ref. No. | Part No. | Description | Reqd. QTY | | | Serial No. | Parts catalogue code |
|----------|-----------------|-------------------------------|-----------|-----|-----|------------|--|
| | | | GX | (1) | (2) | | |
| 1 | 16173-001-004 | PACKING, FUEL STRAINER CUP .. | 1 | - | - | ----- | EDE2,EDE2/A,EDN,EDN2,EDN2/A,EDN5,EDN5/A,EDS,EDS1,EDS1/A,EDS3,EDS6,EDS6/A,EDT1,EDT1/A,EDT6,EDT6/A,ED6,ED6/A,EMT,EMT/A,ES3,ES3/A,ES4,ES4/A,SHT,STR,STR/A,VAA,VAAE,VMQ,VMT,VMT/A,VTE2,VXA |
| 2 | 16950-ZB4-015 | COCK ASSY., FUEL | 1 | - | - | ----- | EDE2,EDE2/A,EDN,EDN2,EDN2/A,EDN5,EDN5/A,EDS,EDS1,EDS1/A,EDS3,EDS6,EDS6/A,EDT1,EDT1/A,EDT6,EDT6/A,ED6,ED6/A,EMT,EMT/A,ES3,ES3/A,ES4,ES4/A,SHT,STR,STR/A,VAA,VAAE,VMQ,VMT,VMT/A,VTE2,VXA |
| 3 | 16952-ZB4-005 | SCREEN, FUEL STRAINER | 1 | - | - | ----- | EDE2,EDE2/A,EDN,EDN2,EDN2/A,EDN5,EDN5/A,EDS,EDS1,EDS1/A,EDS3,EDS6,EDS6/A,EDT1,EDT1/A,EDT6,EDT6/A,ED6,ED6/A,EMT,EMT/A,ES3,ES3/A,ES4,ES4/A,SHT,STR,STR/A,VAA,VAAE,VMQ,VMT,VMT/A,VTE2,VXA |
| 4 | 16958-397-771 | O-RING | 1 | - | - | ----- | EDE2,EDE2/A,EDN,EDN2,EDN2/A,EDN5,EDN5/A,EDS,EDS1,EDS1/A,EDS3,EDS6,EDS6/A,EDT1,EDT1/A,EDT6,EDT6/A,ED6,ED6/A,EMT,EMT/A,ES3,ES3/A,ES4,ES4/A,SHT,STR,STR/A,VAA,VAAE,VMQ,VMT,VMT/A,VTE2,VXA |
| 5 | 16959-471-831 | FILTER, CUP | 1 | - | - | ----- | EDE2,EDE2/A,EDN,EDN2,EDN2/A,EDN5,EDN5/A,EDS,EDS1,EDS1/A,EDS3,EDS6,EDS6/A,EDT1,EDT1/A,EDT6,EDT6/A,ED6,ED6/A,EMT,EMT/A,ES3,ES3/A,ES4,ES4/A,SHT,STR,STR/A,VAA,VAAE,VMQ,VMT,VMT/A,VTE2,VXA |
| 6 | 16967-GA6-671 | CUP, FUEL STRAINER | 1 | - | - | ----- | EDE2,EDE2/A,EDN,EDN2,EDN2/A,EDN5,EDN5/A,EDS,EDS1,EDS1/A,EDS3,EDS6,EDS6/A,EDT1,EDT1/A,EDT6,EDT6/A,ED6,ED6/A,EMT,EMT/A,ES3,ES3/A,ES4,ES4/A,SHT,STR,STR/A,VAA,VAAE,VMQ,VMT,VMT/A,VTE2,VXA |
| 7 | 17505-ZB2-003 | METER ASSY., FUEL | 1 | - | - | ----- | EDS,EDS5,ED6,ED6/A,EMT,EMT/A,ES3,ES3/A,ES4,ES4/A,SHT,STR,STR/A,VAA,VAAE,VMQ,VMT,VMT/A,VTE2,VXA |
| 8 | 17510-ZB4-000ZB | TANK COMP., FUEL | 1 | - | - | ----- | EDS,ED6,SHT,STR,VTE2 |
| | *R8* |BRIGHT RED | 1 | - | - | ----- | VMT |
| | | | 1 | - | - | 3295327 | ED6/A,STR/A |
| | | | 1 | - | - | 3678708 | ED6,ED6/A,ENT,ENT/A |
| | 17510-ZB4-000ZC | *NH1*.....BLACK | 1 | - | - | ----- | EDT,EDT/A,ED6,ED6/A |
| | 17510-ZB4-000ZE | *T68*.....TSURUMI BLUE | 1 | - | - | ----- | ED6,ED6/A,ENT,ENT/A |
| | 17510-ZB4-000ZF | *Y131*.....LIGHTNING YELLOW | 1 | - | - | ----- | EDS5 |
| | 17510-ZB7-000 | | 1 | - | - | ----- | |





| Ref. No. | Part No. | Description | Reqd. QTY | | | Serial No. | Parts catalogue code |
|----------|-----------------|---------------------------|-----------|-----|-----|------------|---|
| | | | GX | (1) | (2) | | |
| (8) | 17510-ZC2-000ZA | TANK COMP., FUEL | 1 | - | - | - | VXA |
| | | *NH31*.....MCKINLEY WHITE | 1 | - | - | - | VAA,VAAE |
| | 17510-ZC2-000ZC | *R8*.....BRIGHT RED | 1 | - | - | 3295328 | VMT |
| | | | 1 | - | - | - | 3680596 |
| | 17510-ZB4-000ZH | *R280*.....POWER RED | 1 | - | - | 3678709 | VMT/A |
| | 17510-ZC2-000ZJ | *R280*.....POWER RED | 1 | - | - | 3680597 | ED6/A,STR/A |
| 9 | 17620-899-013 | CAP COMP., FUEL FILLER | 1 | - | - | - | VMT/A |
| | | | | | | | EDS,EDS5,ED6,ED6/A,EMT,EMT/A,ES3,ES3/A,ES4,ES4/A,SHT,STR,STR/A |
| 10 | 17631-899-000 | PACKING, FUEL FILLER CAP | 1 | - | - | - | VAA,VAAE,VMQ,VMT,VMT/A,VTE2,VXA |
| | | | | | | | EDS,EDS5,ED6,ED6/A,EMT,EMT/A,ES3,ES3/A,ES4,ES4/A,SHT,STR,STR/A |
| | | | | | | | VAA,VAAE,VMQ,VMT,VMT/A,VTE2,VXA |
| 11 | 17670-899-000 | FILTER COMP., FUEL | 1 | - | - | - | EDS,ED6,ED6/A,EMT,EMT/A,ES3,ES3/A,ES4,ES4/A,SHT,STR,STR/A,VMT |
| | | | | | | | VMT/A,VTE2,VXA |
| | 17672-899-000 | FILTER, FUEL | 1 | - | - | - | VMQ |
| 12 | 50319-ZB2-000 | RUBBER, TANK MOUNTING | 2 | - | - | - | EDS,EDS1,EDS1/A,EDS3,EDS6,EDS6/A,EDT1,EDT1/A,EDT6,EDT6/A,ED6 |
| | | | | | | | ED6/A,EMT,EMT/A,ES3,ES3/A,ES4,ES4/A,SHT,STR,STR/A,VAA,VAAE,VMQ |
| | | | | | | | VMT,VMT/A,VTE2 |
| 13 | 76122-952-000 | STOPPER, DISCHARGE GUARD | 2 | - | - | - | EDS,ED6,ED6/A,SHT |
| 14 | 90503-898-000 | WASHER, TANK CUSHION | 2 | - | - | - | EDS,ED6,ED6/A,ES3,ES3/A,ES4,ES4/A,SHT,STR,STR/A,VAA,VAAE,VMT |
| | | | | | | | VMT/A,VTE2 |
| 15 | 90851-898-000 | RUBBER, TANK CUSHION | 2 | - | - | - | EDS,ED6,ED6/A,EMT,EMT/A,ES3,ES3/A,ES4,ES4/A,SHT,STR,STR/A,VAA |
| | | | | | | | VAAE,VMQ,VMT,VMT/A,VTE2 |
| 16 | 90854-ZB2-000 | RUBBER, FUEL (9X15X10) | 1 | - | - | - | EDE2,EDE2/A,EDN,EDN2,EDN2/A,EDS,EDS1,EDS1/A,EDS3,EDS6,EDS6/A,EDT1 |
| | | | | | | | EDT1/A,EDT6,EDT6/A,ED6,ED6/A,EMT,EMT/A,ES3,ES3/A,ES4,ES4/A,SHT |
| | | | | | | | VMQ,VMT,VMT/A,VS2,VS7,VTE2 |
| 17 | 91551-898-000 | COLLAR, TANK CUSHION | 2 | - | - | - | EDS,ED6,ED6/A,EMT,EMT/A,ES3,ES3/A,ES4,ES4/A,SHT,STR,STR/A,VAA |
| | | | | | | | VAAE,VMQ,VMT,VMT/A,VTE2 |



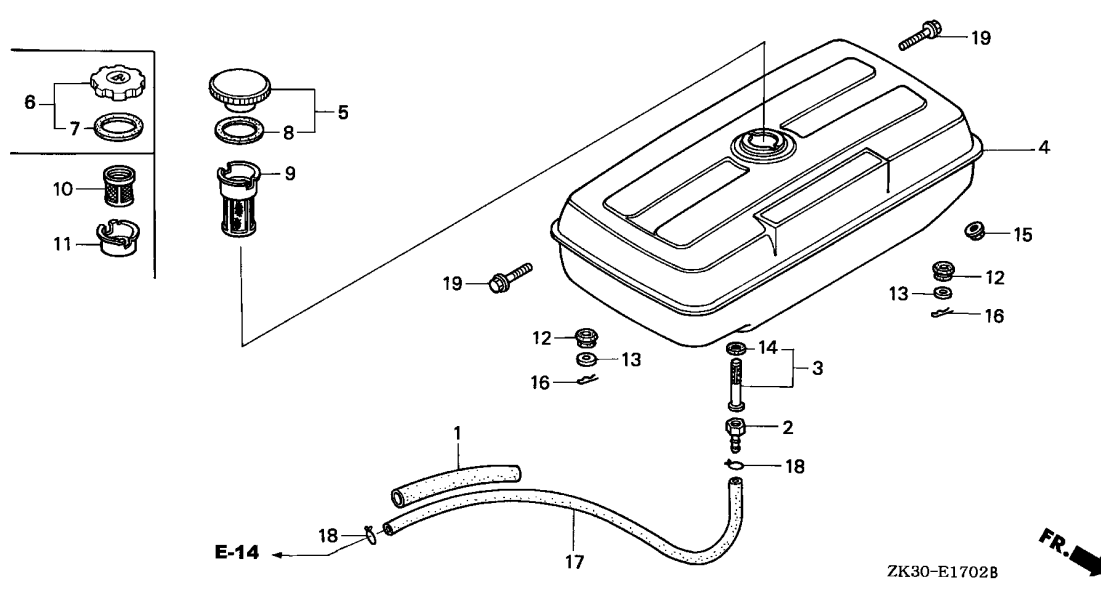
| Ref. No. | Part No. | Description | Reqd. QTY | | | Serial No. | Parts catalogue code |
|----------|----------------|--|-----------|-----|-----|------------|---|
| | | | GX | (1) | (2) | | |
| 18 | 93600-05010-0A | SCREW, FLAT, 5X10 | 2 | - | - | ----- | EDS,EDS5,ED6,ED6/A,EMT,EMT/A,ES3,ES3/A,ES4,ES4/A,SHT,STR,STR/A VAA,VAAE,VMQ,VMT,VMT/A,VTE2,VXA |
| 19 | 95001-45150-40 | TUBE, FUEL, 4.5X150 (95001-45001-60M) | 1 | - | - | ----- | EDS,EDS1,EDS3,EDS6,EDS6/A,EDT1,EDT6,EDT6/A,ES3,ES3/A,ES4,ES4/A VS2,VS7 |
| | 95001-45300-40 | TUBE, FUEL, 4.5X300 (95001-45001-60M) | 1 | - | - | 4088023 | EDS1/A,EDT1/A |
| | 95001-45165-40 | TUBE, FUEL, 4.5X165 (95001-45001-60M) | 1 | - | - | 4088024 | SHT |
| | 95001-45260-40 | TUBE, FUEL, 4.5X260 (95001-45001-60M) | 1 | - | - | 2589845 | ED6 |
| | 95001-45190-40 | TUBE, FUEL, 4.5X190 (95001-45001-60M) | 1 | - | - | 2589846 | EDN,ED6/A,VTE2 ED6 |
| | 95001-45210-40 | TUBE, FUEL, 4.5X210 (95001-45001-60M) | 1 | - | - | ----- | EDE2,EDE2/A,EDN2,EDN2/A |
| | 95001-45250-40 | TUBE, FUEL, 4.5X250 (95001-45001-60M) | 1 | - | - | ----- | EMT,EMT/A,VMQ,VMT,VMT/A |
| | 95001-45300-40 | TUBE, FUEL, 4.5X300 (95001-45001-60M) | 1 | - | - | ----- | STR,STR/A |
| 20 | 95002-02080 | CLIP, TUBE (B8) | 2 | - | - | ----- | EDE2,EDE2/A,EDN,EDN2,EDN2/A,EDS,EDS1,EDS1/A,EDS3,EDS6,EDS6/A,EDT1 EDT1/A,EDT6,EDT6/A,ED6,ED6/A,EMT,EMT/A,ES3,ES3/A,ES4,ES4/A,SHT STR,STR/A,VMQ,VMT,VMT/A,VS2,VS7,VTE2 |
| 21 | 95701-06022-00 | BOLT, FLANGE, 6X22 | 2 | - | - | ----- | EDS,ED6,ED6/A,ES3,ES3/A,ES4,ES4/A,SHT,VAA,VAAE,VTE2 |
| 22 | 16854-ZH8-000 | RUBBER, SUPPORTER (107MM) | 1 | - | - | ----- | STR,STR/A |



E-17-2

FUEL TANK(3)

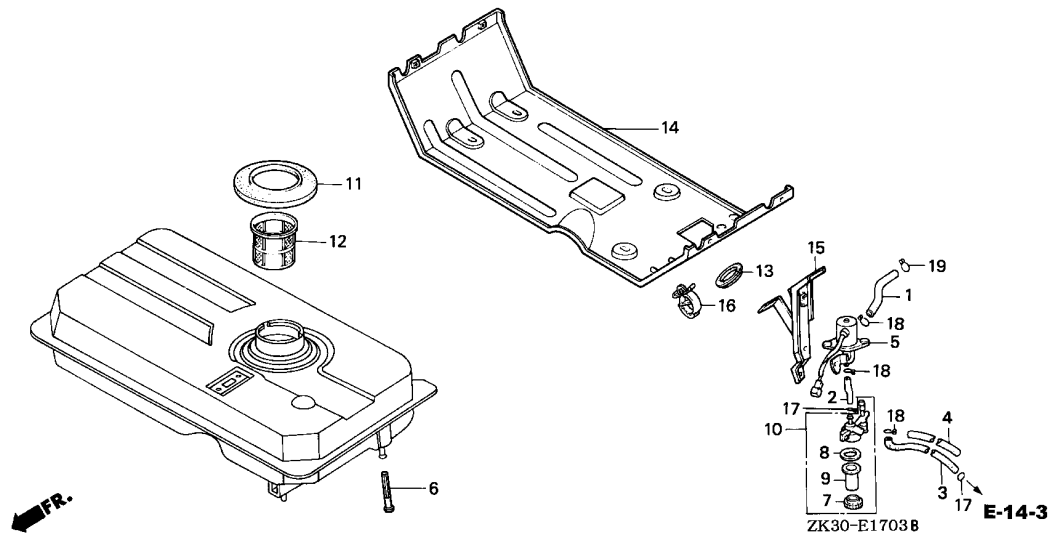
2-D12



| Ref. No. | L.O.N. | (Relative ref. Number) Description | F.R.T. |
|----------|--------|------------------------------------|--------|
| 3 | | (2,14) | |
| 3101D4 | | SCREEN SET | 0.2 |
| 4 | | 3101H7 TANK, FUEL | 0.2 |
| 9 | | (10) | |
| 3101A6 | | FILTER, FUEL | 0.1 |
| 17 | | 3101F1 TUBE, FUEL TANK | 0.2 |

| Ref. No. | Part No. | Description | Reqd. QTY | | | Serial No. | Parts catalogue code |
|----------|-----------------|--|-----------|-------|-----|------------|-----------------------|
| | | | GX | 340K1 | | | |
| | | | (1) | (2) | (3) | | |
| 1 | 16854-ZH8-000 | RUBBER, SUPPORTER (107MM) ... | 1 | - | - | ----- | EN,ET,ETS,ETX |
| 2 | 16950-732-000 | JOINT, FUEL | 1 | - | - | ----- | EN,ET,ETS,ETX |
| 3 | 16952-883-005 | SCREEN SET | 1 | - | - | ----- | EN,ET,ETS,ETX |
| 4 | 17510-893-000ZB | TANK COMP., FUEL | | | | | |
| 5 | 17620-ZE2-W00 | *R8*.....BRIGHT RED CAP COMP., FUEL FILLER (CHROME PLATED) | 1 | - | - | ----- | EN,ET,ETS,ETX |
| 6 | 17620-ZH7-013 | CAP COMP., FUEL FILLER | 1 | - | - | 2302950 | 4122402 EN,ET,ETS,ETX |
| 7 | 17620-ZH7-023 | CAP COMP., FUEL FILLER (BLACK) | 1 | - | - | 4122403 | ----- EN,ET,ETS,ETX |
| 8 | 17631-ZH7-003 | PACKING, FUEL FILLER CAP (39X58X3) | 1 | - | - | 2302950 | ----- EN,ET,ETS,ETX |
| 9 | 17631-329-003 | PACKING, FUEL FILLER CAP (39X58X3) | 1 | - | - | ----- | 2302949 EN,ET,ETS,ETX |
| 10 | 17672-ZE2-W01 | FILTER, FUEL | 1 | - | - | 2240293 | ----- EN,ET,ETS,ETX |
| 11 | 17672-880-000 | FILTER, FUEL | 1 | - | - | ----- | 2240292 EN,ET,ETS,ETX |
| 12 | 17673-893-000 | HOLDER, FUEL FILTER | 1 | - | - | ----- | 2240292 EN,ET,ETS,ETX |
| 13 | 17682-817-020 | RUBBER, TANK CUSHION | 4 | - | - | ----- | EN,ET,ETS,ETX |
| 14 | 90506-500-000 | WASHER, AIR DUCT | 4 | - | - | ----- | EN,ET,ETS,ETX |
| 15 | 91353-671-004 | O-RING, 14MM(NOK) | 1 | - | - | ----- | 2362399 EN,ET,ETS,ETX |
| 16 | 94050-08000 | NUT, FLANGE, 8MM | 2 | - | - | ----- | 2362399 EN,ET,ETS,ETX |
| 17 | 94251-08000 | PIN, LOCK, 8MM | 4 | - | - | ----- | EN,ET,ETS,ETX |
| 18 | 95001-45430-40 | TUBE, FUEL, 4.5X430 (95001-45001-60M) | 1 | - | - | ----- | EN,ET,ETS,ETX |
| 19 | 95002-02080 | CLIP, TUBE (B8) | 2 | - | - | ----- | EN,ET,ETS,ETX |
| 19 | 95701-08025-00 | BOLT, FLANGE, 8X25 | 2 | - | - | ----- | 2362399 EN,ET,ETS,ETX |

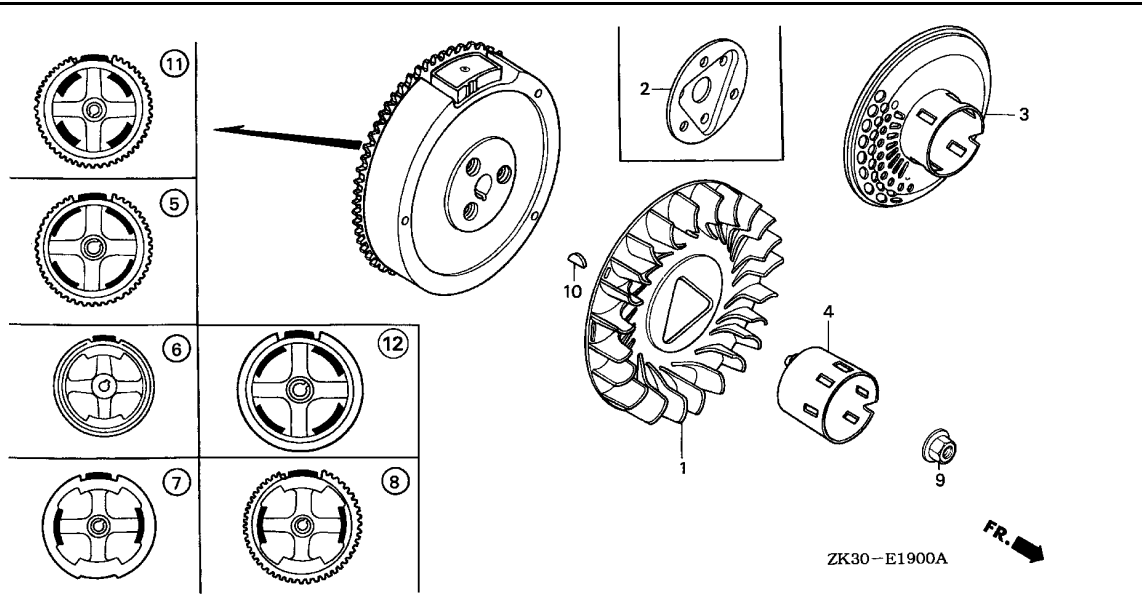
2



| Ref. No. | L.O.N. | (Relative ref. Number) Description | F.R.T. |
|----------|--------|------------------------------------|--------|
| 1 | 3101F2 | TUBE, FUEL COCK | 0.2 |
| 5 | 3101H0 | VALVE, ELECTRIC FUEL | 0.2 |
| 6 | 3101H8 | STRAINER, FUEL | 0.2 |
| 10 | | (9) | |
| | 3101F4 | CUP, FUEL STRAINER | 0.2 |
| 12 | 3101A6 | FILTER, FUEL | 0.1 |
| 14 | 4141J4 | PLATE, FUEL TANK HANGER | 0.2 |

| Ref. No. | Part No. | Description | Reqd. QTY | | | Serial No. | Parts catalogue code |
|----------|---------------|-------------------------------------|-----------|-------|-----|------------|----------------------|
| | | | GX | 340K1 | | | |
| | | | (1) | (2) | (3) | | |
| 1 | 16851-ZB7-000 | TUBE, FUEL (TANK-COCK) | 1 | - | - | ----- | EDS5 |
| 2 | 16852-ZB7-000 | TUBE, FUEL (COCK-STRAINER) .. | 1 | - | - | ----- | EDS5 |
| 3 | 16853-ZB7-000 | TUBE, FUEL (STRAINER-CARBURETOR) | 1 | - | - | ----- | EDS5 |
| 4 | 16857-ZB7-000 | TUBE, FUEL SUPPORTER | 1 | - | - | ----- | EDS5 |
| 5 | 16930-ZB7-013 | COCK ASSY., ELECTRIC FUEL ... | 1 | - | - | ----- | EDS5 |
| 6 | 16952-ZB7-000 | STRAINER, FUEL | 1 | - | - | ----- | EDS5 |
| 7 | 16957-707-005 | NUT, RING | 1 | - | - | ----- | EDS5 |
| 8 | 16963-443-901 | GASKET | 1 | - | - | ----- | EDS5 |
| 9 | 16967-196-005 | CUP, FUEL STRAINER | 1 | - | - | ----- | EDS5 |
| 10 | 16990-ZB7-005 | CUP ASSY., FUEL STRAINER | 1 | - | - | ----- | EDS5 |
| 11 | 17520-ZA0-800 | SEAL, FUEL FILLER NECK | 1 | - | - | ----- | EDS5 |
| 12 | 17672-899-000 | FILTER, FUEL | 1 | - | - | ----- | EDS5 |
| 13 | 32112-611-000 | GROMMET, WIRE CORD | 1 | - | - | ----- | EDS5 |
| 14 | 63125-ZB7-000 | PLATE, FUEL TANK HANGER | 1 | - | - | ----- | EDS5 |
| 15 | 63132-ZB7-000 | BRACKET, STRAINER CUP SETTING | 1 | - | - | ----- | EDS5 |
| 16 | 90684-ZA0-601 | CLIP, HARNESS | 1 | - | - | ----- | EDS5 |
| 17 | 95002-02080 | CLIP, TUBE (B8) | 2 | - | - | ----- | EDS5 |
| 18 | 95002-02100 | CLIP, TUBE (B10) | 3 | - | - | ----- | EDS5 |
| 19 | 95002-02120 | CLIP, TUBE (B12) | 1 | - | - | ----- | EDS5 |





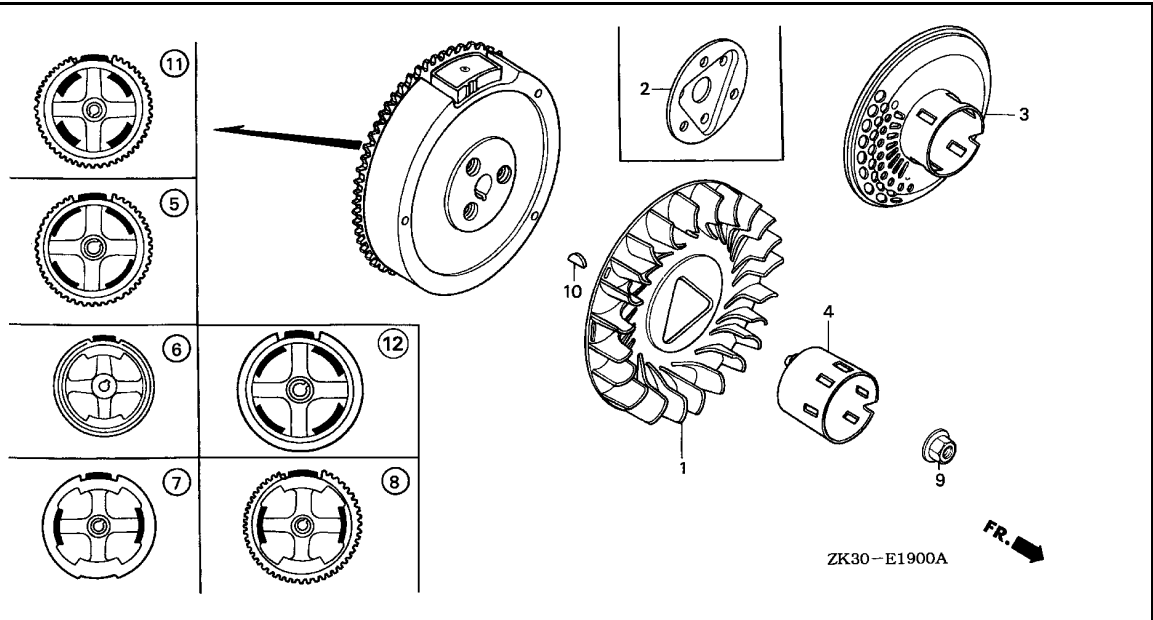
| Ref. No. | L.O.N. | (Relative ref. Number) Description | F.R.T. |
|----------|--------|------------------------------------|--------|
| 1 | 1141G7 | FAN, ENGINE COOLING | 0.2 |
| 2 | 1141H0 | PLATE, COOLING FAN SETTING ... | 0.2 |
| 4 | | (3) | |
| 5 | 1121A9 | PULLEY, RECOIL STARTER | 0.2 |
| | | (6,7,8,11,12) | |
| | 2161B5 | FLYWHEEL | 0.3 |



| Ref. No. | Part No. | Description | Reqd. QTY | | | Serial No. | Parts catalogue code |
|----------|---------------|--|-----------|-----|-----|------------|--|
| | | | GX | (1) | (2) | | |
| 1 | 19511-ZE3-000 | FAN, COOLING | 1 | 1 | 1 | | |
| 2 | 19512-ZE2-000 | PLATE, COOLING FAN SETTING .. | 1 | - | - | ----- | EDS5,LKE,LKE/A,LWD,LWD1,LWD1/A,SDE,ZK1,ZK1/A |
| 3 | 28450-ZE3-W11 | PULLEY COMP., STARTER (SCREEN GRID) | 1 | - | - | ----- | HA,HAQ,HA2,HA2/A,HH,HX,HX2,HX26,HX26/A,LH,LH/A,LHB1,LHB3,LHB3/A,LHB5,LHC,LHE,LHE/A,LHQ4,LHQ4/A,LHW,LJS,LJS/A,LJS1,LSX,LT,LT/A,LX,LX/A,LXE,LXE/A,LXE2,LXE2/A,LXE4,LXE4/A,LXE6,LXE8,LXE8/A,LXQ4,LXQ4/A,LXU,LXU/A,LXZ,LX2,LX2/A,LX26,LX26/A,PX,PX/A,PXA2,PXE8,PXE8/A,QA,QAB2,QAB2/A,QAC2,QAC2/A,QAE,QAE2,QAE2/A,QAE6,QAE6/A,QAG,QAG/A,QAQ,QAQ2,QAQ2/A,QAQ,QA2,QA2/A,QA26,QA26/A,QDW9,QDW9/A,QE,QE/A,QH,QH/A,QHB3,QHB3/A,QHB5,QHC,QHE,QHE/A,QHP1,QHP1/A,QHQ4,QHQ4/A,QH2,QKA4,QKA4/A,QL2,QMEO,QMEO/A,QME8,QME8/A,QMH,QMH/A,QMT2,QMT2/A,QNE,QNE2,QNE2/A,QNE6,QNE9,QNE9/A,QNR2,QNR2/A,QNR6,QNR6/A,QN18,QP,QP/A,QPE2,QWH2,QWH2/A,QX,QX/A,QXB,QXB/A,QXB7,QXB7/A,QXC,QXC/A,QXC4,QXC4/A,QXC6,QXC6/A,QXC9,QXC9/A,QXE,QXE/A,QXEB,QXE2,QXE4,QXE4/A,QXE6,QXE6/A,QXE8,QXE8/A,QXQ4,QXQ4/A,QXU,QXU/A,QX2,SE,SE/A,SH,SH/A,SHB1,SHB3,SHB3/A,SHE,SHEZ,SHQ4,SHQ4/A,SHT,SMEO,SMEO/A,SWX,SWX/A,SX,SX/A,SXB,SXB/A,SXB7,SXB7/A,SXE,SXE/A,SXEB,SXEB/A,SXE2,SXE4,SXE4/A,SXE8,SXE8/A,SXP,SXQ4,SXQ4/A,SXU,SXU/A,VA,VAA,VAAE,VAD2,VAD2/A,VAH1,VAH2,VA2,VA2/A,VDE,VDE2,VDE2/A,VD16,VE,VEB6,VH,VHE,VH12,VH12/A,VH22,VH22/A,VMX,VNG1,VNG2,VSH7,VWA,VWA2,VWE2,VWE2/A,VX,VX/A,VXA,VXB,VXB/A,VXB2,VXB7,VXB7/A,VXE,VXE/A,VXEB,VXEB/A,VXE2,VXE2/A,VXE4,VXE6,VXE7,VXE7/A,VXE8,VXE8/A,VXG,VXK,VXQ4,VXQ4/A,VXU,VXU/A,VXU1,VXU1/A,VX16,VX16/A,VX8,VX8/A |
| | | | - | (1) | - | | |

| Ref. No. | Part No. | Description | Reqd. QTY | | | Serial No. | Parts catalogue code |
|----------|---------------|--------------------------------|-----------|-----|-----|------------|--|
| | | | (1) | (2) | (3) | | |
| 4 | 28451-ZE3-W01 | PULLEY, STARTER | 1 | - | - | ----- | BJ, EDE2, EDE2/A, EDK, EDN, EDN2, EDN2/A, EDN5, EDN5/A, EDS, EDS1, EDS1/A, EDS2, EDS2/A, EDS3, EDS4, EDS6, EDS6/A, EDT, EDT/A, EDT1, EDT1/A, EDT2, EDT3, EDT6, EDT6/A, ED6, ED6/A, ED8, ED8/A, ED9, ED9/A, EMT, EMT/A, EN, ENT, ENT/A, ENT2, EN6, EN6/A, ES, ES1, ES1/A, ES2, ES3, ES3/A, ES4, ES4/A, ET, ETS, ETX, HA2, HA2/A, HX26, HX26/A, LH, LH/A, LHB3, LHB3/A, LHE, LHE/A, LHQ4, LHQ4/A, LJ, LJ/A, LJG, LJG/A, LJS, LJS1, LKE, LKE/A, LP, LT, LT/A, LX, LX/A, LXE, LXE/A, LX2, LX2/A, LX4, LX4/A, LX8, LX8/A, LXQ4, LXQ4/A, LXU, LXU/A, LX2, LX2/A, LX26, LX26/A, PKT2, PKT2/A, PKT4, PKT4/A, PKX2, PKX4, PKX4/A, PX, PX/A, PXE8, PXE8/A, QAB2, QAB2/A, QAC2, QAC2/A, QAE, QAE2, QAE2/A, QAE6, QAE6/A, QAG, QAG/A, QAH2, QAH2/A, QAP2, QAP2/A, QA2, QA2/A, QA26, QA26/A, QDW9, QDW9/A, QE, QE/A, QH, QH/A, QHB3, QHB3/A, QHE, QHE/A, QHP1, QHP1/A, QHQ4, QHQ4/A, QKA4, QKA4/A, QME0, QME0/A, QME8, QME8/A, QMH, QMH/A, QMT2, QMT2/A, QMX2, QNE2, QNE2/A, QNE9, QNE9/A, QNR2, QNR2/A, QNR6, QNR6/A, QP, QP/A, QT, QT/A, QTC2, QTC2/A, QWH2, QWH2/A, QX, QX/A, QXB, QXB/A, QXC, QXC/A, QXC4, QXC4/A, QXC6, QXC6/A, QXC9, QXC9/A, QXE, QXE/A, QXE4, QXE4/A, QXE6, QXE6/A, QXE8, QXE8/A, QXQ4, QXQ4/A, QXU, QXU/A, SE, SE/A, SH, SH/A, SHB3, SHB3/A, SHQ4, SHQ4/A, SJ, SJ/A, SJG, SJG/A, SKE, SKE/A, SK2, SK2/A, SME0, SME0/A, SMX2, SMX2/A, STJ, STJ/A, STP, STP/A, STQ, STQ/A, STR, STR/A, SWX, SWX/A, SX, SX/A, SXB, SXB/A, SXE, SXE/A, SXEB, SXEB/A, SXE4, SXE4/A, SXE8, SXE8/A, SXQ4, SXQ4/A, SXU, SXU/A, VAD2, VAD2/A, VAW1, VAW1/A, VA2, VA2/A, VC2, VC2/A, VDE2, VDE2/A, VH12, VH12/A, VH22, VH22/A, VMQ, VMT, VMT/A, VNG, VSH7, VS2, VS3, VS4, VS5, VS6, VS7, VTE2, VVC, VVC2, VVC2/A, VME, VME2, VME2/A, VMS2, VMS2/A, VW12, VW12/A, VX, VX/A, VXB, VXB/A, VXB7, VXE, VXE/A, VXB, VXB/A, VXE8, VXE8/A, VXQ4, VXQ4/A, VXU, VXU/A, VXU1, VXU1/A, VX16, VX16/A, VX8, VX8/A, YJ |
| 5 | 31100-ZE3-W00 | FLYWHEEL COMP. (10A) | - | (1) | - | ----- | L1, L1/A, P1, P1/A, S1, S1/A |
| | 31100-ZE3-W01 | FLYWHEEL COMP. (SEL-4POLE) .. | 1 | (1) | - | ----- | ED6, ED6/A, EN6, EN6/A, LKE/A, LWD, L1, L1/A, QAE, QAE2, QAE2/A, QAE6, QAE6/A, QAPE, QME0, QME0/A, QME8, QME8/A, QNE, QNE2, QNE2/A, QNE6, QNE9, QNE9/A, QPE2, Q1, Q1/A, SME0, SME0/A, S1, S1/A, VNG2, VTE2, V1, ZK1, ZK1/A |
| | 31100-ZE3-W10 | FLYWHEEL COMP. (18A) | 1 | - | - | 2033705 | ----- LKE |
| | 31100-ZE3-W20 | FLYWHEEL COMP. (SEL-18A) | - | (1) | - | 2249296 | ----- L1/A, P1/A, Q1/A, S1/A |
| | 31100-ZE3-W21 | | - | (1) | - | 2249246 | ----- L1, P1, Q1, S1, V1 |
| | 31100-ZE3-W21 | | 1 | - | - | ----- | LWD1, LWD1/A, QAH2, QAH2/A, QL2, QNR2, QNR2/A, QNR6, QNR6/A, QN18 |
| 6 | 31100-ZE3-700 | FLYWHEEL COMP. | 1 | - | - | 2374605 | ----- ED6 |
| | 31100-ZE3-701 | | - | (1) | - | ----- | L1, L1/A, S1, S1/A |
| | 31100-ZE3-701 | | 1 | - | - | ----- | BJ, EDK, EDT1, EDT1/A, EDT2, EDT3, EDT6, EDT6/A, ED8, ED8/A, ED9, ED9/A, EMT, EMT/A, EN, ES, ES1, ES1/A, ES2, ES3, ES3/A, ET, ETX, HA, HAQ, HA2, HA2/A, HH, HX, HX2, HX26, HX26/A, LH, LH/A, LHB1, LHB3, LHB3/A, LHB5, LHC, LHQ4, LHQ4/A, LHW, LJ, LJ/A, LJG, LJG/A, LJS, LJS/A, LJS1, LP, LSX, LX, LX/A, LXQ4, LXQ4/A, LXU, LXU/A, LXZ, LX2, LX2/A, LX26, LX26/A, PKT2, PKT2/A, PKT4, PKT4/A, PKX2, PKX4, PKX4/A, PX, PX/A, PXA2, QA, QAB2, QAB2/A, QAC2, QAC2/A, QAP, QAP2, QAP2/A, QAQ, QA2, QA2/A, QA26, QA26/A, QDW9, QDW9/A, QE, QE/A, QH, QH/A, QHB3, QHB3/A, QHB5, QHC, QHP1, QHP1/A, QHQ4, QHQ4/A, QH2, QKA4, QKA4/A, QMH, QMH/A, QMT2, QMT2/A, QMX2, QT, QT/A, QTC2, QTC2/A, QWH2, QWH2/A, QX, QX/A, QXB, QXB/A, QXB7, QXB7/A, QXC, QXC/A, QXC4, QXC4/A, QXC6, QXC6/A, QXC9, QXC9/A, QXQ4, QXQ4/A, QXU, QXU/A, QX2, SE, SE/A, SH, SH/A, SHB1, SHB3, SHB3/A, SHQ4, SHQ4/A, SHT, SJ, SJ/A, SJG, SJG/A, SK2, SK2/A, SMX2, SMX2/A, STP, STP/A, STQ, STQ/A, STR, STR/A, SX, SX/A, SXB, SXB/A, SXB7, SXB7/A, SXP, SXQ4, SXQ4/A, SXU, SXU/A, VA, VAA, VAD2, VAD2/A, VAH1, VAW1, VA2, VA2/A, VC2, VC2/A, VDE, VDE2, VDE2/A, VD16, VE, VH, VH12, VH12/A, VMX, VNG, VNG1, VSH7, VS2, VS3, VS4, VMC, VMC2, VMC2/A, VW12, VW12/A, VX, VX/A, VXA, VXB, VXB/A, VXB2, VXB7, VXB7/A, VVG, VVK, VXQ4, VXQ4/A, VXU, VXU/A, VX16, VX16/A, VX8, VX8/A, YJ |
| 7 | 31100-ZE3-711 | FLYWHEEL COMP. (LAMP) | - | (1) | 1 | ----- | |
| | | | - | (1) | - | ----- | |



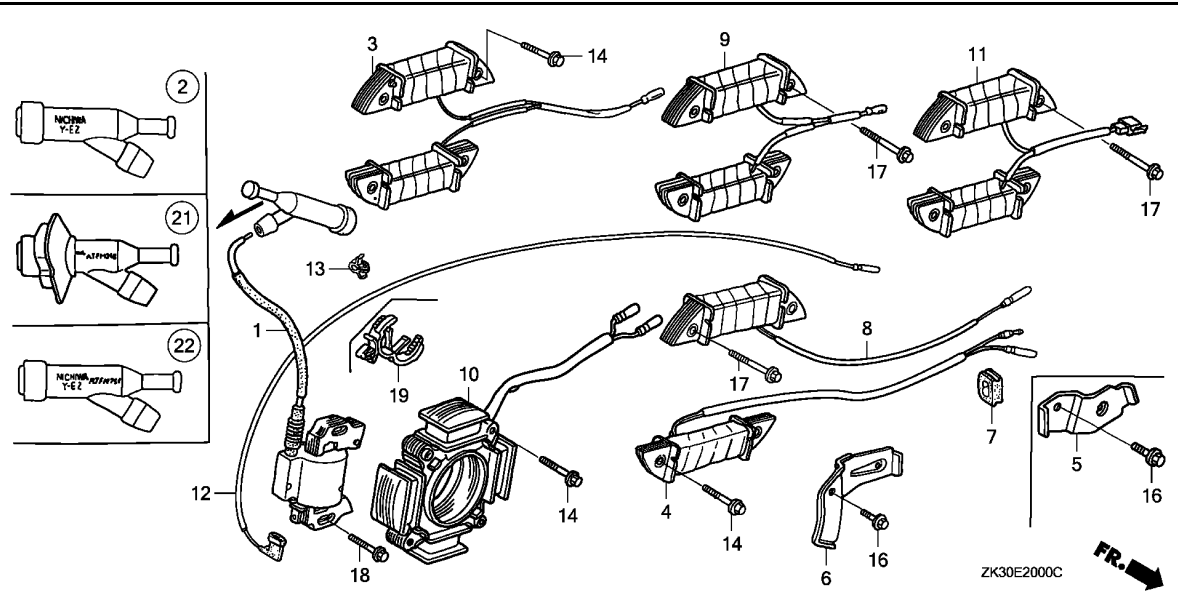


| Ref. No. | Part No. | Description | Reqd. QTY | | | Serial No. | Parts catalogue code |
|----------|---------------|-------------------------------|-----------|-------|-----|------------|---|
| | | | GX | 340K1 | | | |
| | | | (1) | (2) | (3) | | |
| (7) | 31100-ZE3-712 | FLYWHEEL COMP. (LAMP) | 1 | (1) | - | ----- | EDN,EDN2,EDN2/A,EDN5,EDN5/A,LT,LT/A,L1,L1/A,QP,QP/A,SWX,SWX/A,S1 S1/A |
| 8 | 31100-ZE3-721 | FLYWHEEL COMP. (SEL-LAMP) ... | - | (1) | - | ----- | L1,L1/A,Q1,Q1/A,S1,S1/A |
| | 31100-ZE3-722 | | 1 | (1) | - | ----- | EDE2,EDE2/A,EDS,EDS1,EDS1/A,EDS2,EDS2/A,EDS3,EDS4,EDS5,EDS6 EDS6/A,EDT,EDT/A,ED7,ENT,ENT/A,ENT2,ES4,ES4/A,ETS,LHE,LHE/A,LXE LXE/A,LXE2,LXE2/A,LXE4,LXE4/A,LXE6,LXE8,LXE8/A,L1,L1/A,PXE8 PXE8/A,P1,P1/A,QHE,QHE/A,QXE,QXE/A,QXEB,QXE2,QXE4,QXE4/A,QXE6 QXE6/A,QXE8,QXE8/A,SDE,SHE,SHEZ,SKE,SKE/A,SME2,STJ,STJ/A,SXE SXE/A,SXEB,SXEB/A,SXE2,SXE4,SXE4/A,SXE8,SXE8/A,S1,S1/A,VAE,VAH2 VEB6,VHE,VH22,VH22/A,VMQ,VMT,VMT/A,VS5,VS6,VS7,VWA,VWA2,VWE,VWE2 VWE2/A,VWS2,VWS2/A,VXE,VXE/A,VXEB,VXEB/A,VXE2,VXE2/A,VXE4,VXE6 VXE7,VXE7/A,VXE8,VXE8/A,VXU1,VXU1/A,V1 |
| 9 | 90201-ZE3-790 | NUT, SPECIAL, 16MM | 1 | 1 | - | ----- | 2536522 BJ,EDE2,EDN,EDN2,EDS,EDS1,EDS3,EDS5,EDT1,ED6,ED7,ED8,ED9,EN,ES ES1,ES3,ES4,ET,ETS,ETX,HA,HAQ,HA2,HH,HX,HX2,HX26,LH,LHB1,LHB3,LHC LHE,LHQ4,LJ,LJG,LKE,LP,LX,LXE,LXE2,LXE4,LXE6,LXQ4,LXZ,LX2,LX26,L1 PKT2,PX,P1,QA,QAE,QAE2,QAE6,QAP,QAPE,QAP2,QAQ,QA2,QA26,QDW9,QE,QH QHB3,QHC,QHE,QHQ4,QH2,QMEO,QMT2,QNE,QNE2,QNE6,QNE9,QNR2,QNR6,QN18 QP,QPE2,QT,QTC2,QX,QXB,QXC,QXC4,QXC6,QXC9,QXE,QXEB,QXE2,QXE4,QXE6 QXQ4,QX2,Q1,SDE,SE,SH,SHB1,SHB3,SHE,SHEZ,SHQ4,SHT,SJ,SJG,SKZ,SME0 SME2,SMX2,STJ,STP,STQ,SWX, SX, SXB, SXE, SXEB, SXE2, SXE4, SXP, SXQ4, S1 VA, VAA, VAAE, VAD2, VAH1, VAH2, VAW1, VA2, VDE, VDE2, VD16, VE, VEB6, VH, VHE VH12, VH22, VNG, VNG1, VNG2, VWA, VWA2, VWC2, VWE2, VWS2, VW12, VX, VXA, VXB VXB2, VXE, VXEB, VXE2, VXE4, VXE6, VVG, VXQ4, VXU, VXU1, VX16, V1, YJ, ZK1 |
| | | | - | - | 1 | ----- | 1000004 |



| Ref. No. | Part No. | Description | Reqd. QTY | | | Serial No. | Parts catalogue code |
|----------|---------------|--------------------------------|-----------|-----|-----|------------|---|
| | | | (1) | (2) | (3) | | |
| (9) | 90201-ZE3-V00 | NUT, SPECIAL, 16MM | 1 | 1 | - | 2536523 | ----- BJ,EDE2,EDN,EDN2,EDS,EDS1,EDS3,EDS5,EDT1,ED6,ED7,ED8,ED9,EN,ES ES1,ES3,ES4,ET,ETS,ETX,HA,HAQ,HA2,HH,HX,HX2,HX26,LH,LHB1,LHB3,LHC LHE,LHQ4,LJ,LJG,LKE,LP,LX,LXE,LXE2,LXE4,LXE6,LXQ4,LXZ,LX2,LX26,L1 PKT2,PX,P1,QA,QAE,QAE2,QAE6,QAP,QAPE,QAP2,QAQ,QA2,QA26,QDW9,QE,QH QHB3,QHC,QHE,QHQ4,QH2,QMEO,QMT2,QNE,QNE2,QNE6,QNE9,QNR2,QNR6,QN18 QP,QPE2,QT,QTC2,QX,QXB,QXC,QXC4,QXC6,QXC9,QXE,QXEB,QXE2,QXE4,QXE6 QXQ4,QX2,Q1,SDE,SE,SH,SHB1,SHB3,SHE,SHEZ,SHQ4,SHT,SJ,SJG,SKZ,SME0 SME2,SMX2,STJ,STP,STQ,SWX,SX,SXB,SXE,SXEB,SXE2,SXE4,SXP,SXQ4,S1 VA,VAA,VAE,VAD2,VAH1,VAH2,VAW1,VA2,VDE,VDE2,VD16,VE,VEB6,VH,VHE VH12,VH22,VNG,VNG1,VNG2,VWA,VWA2,VWC2,VWE2,VWS2,VW12,VX,VXA,VXB VXB2,VXE,VXEB,VXE2,VXE4,VXE6,VXG,VXQ4,VXU,VXU1,VX16,V1,YJ,ZK1 ----- 4058429 EDK,EDN5/A,EDS1/A,EDS4,EDT1/A,ED8/A,ED9/A,EMT/A,ES1/A,ES3/A,ES4/A LH/A,LHB3/A,LHB5,LHE/A,LJ/A,LJG/A,LJS/A,LJS1,LT/A,LWD,LWD1/A,LX/A LXE/A,L1/A,PX/A,P1/A,QH/A,QHB3/A,QHB5,QHP1/A,QMH/A,QP/A,QT/A,QX/A QXC/A,QXE/A,Q1/A,SH/A,SJ/A,SJG/A,SKE/A,SKZ/A,STJ/A,STP/A,STQ/A STR/A,SX/A,SXE/A,S1/A,VMQ,VMT/A,VS3,VS4,VS5,VS6,VX/A,VXE/A,VXEB/A VXK,VXU/A,VXU1/A ----- EDE2/A,EDN2/A,EDN5,EDS2,EDS2/A,EDS6,EDS6/A,EDT,EDT/A,EDT2,EDT6 EDT6/A,ED6/A,EMT,ENT,ENT/A,ENT2,EN6,EN6/A,HA2/A,HX26/A,LHQ4/A,LHW LJS,LKE/A,LSX,LT,LWD1,LXE2/A,LXE4/A,LXE8,LXE8/A,LXQ4/A,LXU,LXU/A LX2/A,LX26/A,PKT2/A,PKT4,PKT4/A,PKX2,PKX4,PKX4/A,PXA2,PXE8,PXE8/A QAB2,QAB2/A,QAC2,QAC2/A,QAE2/A,QAE6/A,QAG,QAG/A,QA2,QA2/A QAP2/A,QA2/A,QA26/A,QDW9/A,QE/A,QHE/A,QHP1,QHQ4/A,QKA4,QKA4/A,QL2 QMEO/A,QME8,QME8/A,QMH,QMT2/A,QMX2,QNE2/A,QNE9/A,QNR2/A,QNR6/A QTC2/A,QWH2,QWH2/A,QXB/A,QXB7,QXB7/A,QXC4/A,QXC6/A,QXC9/A,QXE4/A QXE6/A,QXE8,QXE8/A,QXQ4/A,QXU,QXU/A,SE/A,SHB3/A,SHQ4/A,SKE,SME0/A SMX2/A,STR,SWX/A,SXB/A,SXB7,SXB7/A,SXEB/A,SXE4/A,SXE8,SXE8/A SXQ4/A,SXU,SXU/A,VAD2/A,VA2/A,VC2,VC2/A,VDE2/A,VH12/A,VH22/A,VMT VMX,VSH7,VTE2,VWC,VWC2/A,VWE,VWE2/A,VWS2/A,VW12/A,VXB/A,VXB7 VXB7/A,VXE2/A,VXE7,VXE7/A,VXE8,VXE8/A,VXQ4/A,VX16/A,VX8,VX8/A ZK1/A |
| | 90201-ZE3-790 | | - | - | 1 | 1000005 | ----- |
| | | | 1 | 1 | - | 4058430 | ----- EDK,EDN5/A,EDS1/A,EDS4,EDT1/A,ED8/A,ED9/A,EMT/A,ES1/A,ES3/A,ES4/A LH/A,LHB3/A,LHB5,LHE/A,LJ/A,LJG/A,LJS/A,LJS1,LT/A,LWD,LWD1/A,LX/A LXE/A,L1/A,PX/A,P1/A,QH/A,QHB3/A,QHB5,QHP1/A,QMH/A,QP/A,QT/A,QX/A QXC/A,QXE/A,Q1/A,SH/A,SJ/A,SJG/A,SKE/A,SKZ/A,STJ/A,STP/A,STQ/A STR/A,SX/A,SXE/A,S1/A,VMQ,VMT/A,VS3,VS4,VS5,VS6,VX/A,VXE/A,VXEB/A VXK,VXU/A,VXU1/A ----- EDT3,ES2,VS2,VS7 |
| 10 | 90741-ZE2-000 | KEY, SPECIAL WOODRUFF, 25X18 | 1 | 1 | 1 | | |
| 11 | 31100-ZE3-831 | FLYWHEEL COMP. (4POLE) (SEL) - | 1 | - | - | 2033704 | LKE |
| 12 | 31100-ZE3-U10 | FLYWHEEL COMP. (4POLE) | 1 | - | - | | QAG,QAG/A |



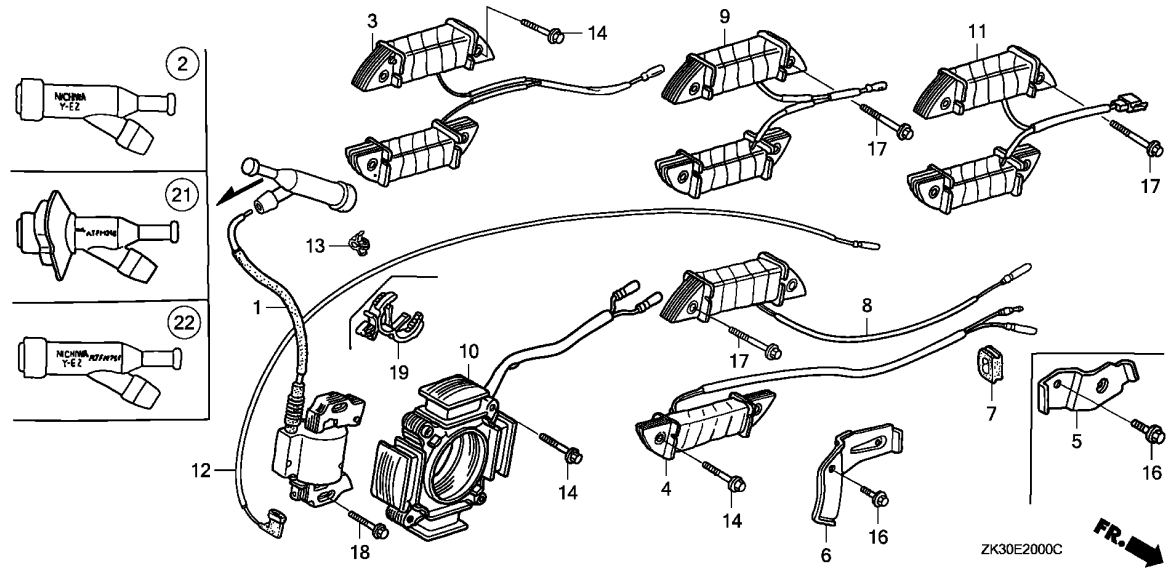


| Ref. No. | L.O.N. | (Relative ref. Number) Description | F.R.T. |
|----------|--------|------------------------------------|--------|
| 1 | 6141A5 | COIL, IGNITION(ONE) (21,22) | 0.3 |
| 2 | 6141B8 | TERMINAL, HIGH TENSION (4) | 0.1 |
| 3 | 6141A6 | COIL, LAMP (9,11) | 0.3 |
| 8 | 6131C3 | COIL, CHARGE | 0.3 |
| 12 | 6111B3 | CORD, STOP SWITCH | 0.3 |

| Ref. No. | Part No. | Description | Reqd. QTY | | | Serial No. | Parts catalogue code |
|----------|---------------|----------------------|-----------|-------|-----|------------|--|
| | | | GX | 340K1 | | | |
| | | | (1) | (2) | (3) | | |
| 1 | 30500-ZE2-013 | COIL ASSY., IGNITION | 1 | - | - | 2286768 | EDN,EDS,ED6,ED7,ED8,ED9,ES,ES1,ES3,ES4,ETS,ETX,HH,HX,LH,LHC,LHE,LKE,LP,LX,LXE,LXZ,PX,QE,QH,QHC,QHE,QP,QT,QX,QXB,QXC,QXE,QXEB,SE,SH,SHE,SHEZ,SWX,SX,SXB,SXE,SXEB,VAA,VAE,VE,VH,VHE,VNG,VNG1,VNG2,VX,VXB,VXE,VXEB,VXG,VXU,VXU1 |
| | | | 1 | - | - | 2288955 | HAQ,QAQ,QNE9 |
| | | | 1 | - | - | 2326583 | EN,ET |

| Ref. No. | Part No. | Description | Reqd. QTY | | | Serial No. | Parts catalogue code |
|----------|---------------|--|-----------|-----|-----|------------|--|
| | | | (1) | (2) | (3) | | |
| (1) | 30500-ZF6-W02 | COIL ASSY., IGNITION | 1 | 1 | - | ----- | EDE2,EDE2/A,EDN2,EDN2/A,EDN5,EDS2,EDS2/A,EDS3,EDS5,EDS6,EDS6/A,EDT,EDT/A,EDT2,EDT6,EDT6/A,ED6/A,EMT,ENT,ENT/A,EN6,EN6/A,HA2,HA2/A,HX2,HX26,HX26/A,LHB1,LHB3,LHQ4,LHQ4/A,LHW,LKE/A,LSX,LT,LXE2,LXE2/A,LXE4,LXE4/A,LXE6,LXE8,LXE8/A,LXQ4,LXQ4/A,LXU,LXU/A,LX2,LX2/A,LX26,LX26/A,L1,PKT2,PKT2/A,PKT4,PKT4/A,PKX2,PKX4,PKX4/A,PXA2,PXE8,PXE8/A,P1,QAB2,QAB2/A,QAC2,QAC2/A,QAE2,QAE2/A,QAE6,QAE6/A,QAG,QAG/A,QA2,QA2/A,QAH2,QAH2/A,QAP2,QAP2/A,QA2,QA2/A,QA26,QA26/A,QDW9,QDW9/A,QE/A,QHB3,QHE/A,QHP1,QHQ4,QHQ4/A,QH2,QKA4,QKA4/A,QL2,QMEO,QMEO/A,QME8,QME8/A,QMH,QMT2,QMT2/A,QMX2,QNE2,QNE2/A,QNE6,QNE9/A,QNR2,QNR2/A,QNR6,QNR6/A,QPE2,QTC2,QTC2/A,QWH2,QWH2/A,QXB/A,QXC4,QXC4/A,QXC6,QXC6/A,QXC9,QXC9/A,QXE2,QXE4,QXE4/A,QXE6,QXE6/A,QXE8,QXE8/A,QXQ4,QXQ4/A,QXU,QXU/A,QX2,Q1,SE/A,SHB1,SHB3,SHB3/A,SHQ4,SHQ4/A,SHT,SMEO,SMEO/A,SME2,SMX2,SMX2/A,SWX/A,SWX/A,SXEB/A,SXE2,SXE4,SXE4/A,SXE8,SXE8/A,SXQ4,SXQ4/A,SXU,SXU/A,S1,VAD2,VAD2/A,VAW1,VA2,VA2/A,VC2,VC2/A,VDE2,VDE2/A,VD16,VEB6,VH12,VH12/A,VH22,VH22/A,VMT,VMX,VTE2,VWA2,VWC,VWC2,VWC2/A,VWE,VWE2/A,VWS2,VWS2/A,VW12,VW12/A,VXB/A,VXB2,VXE2,VXE2/A,VXE4,VXE6,VXE8,VXE8/A,VXQ4,VXQ4/A,VX16,VX16/A,VX8,VX8/A,V1 |
| | | | 1 | 1 | - | 4072596 | EDK,EDN5/A,EDS4,ED8/A,ED9/A,EMT/A,ES1/A,ES3/A,ES4/A,LH/A,LHB3/A,LHB5,LHE/A,LJS1,LT/A,LX/A,LXE/A,L1/A,PX/A,P1/A,QH/A,QHB3/A,QHB5,QHP1/A,QMH/A,QP/A,QT/A,QX/A,QXC/A,QXE/A,Q1/A,SH/A,SX/A,SXE/A,S1/A,VMQ,VMT/A,VS3,VS4,VS5,VS6,VX/A,VXE/A,VXEB/A,VXK,VXU/A,VXU1/A |
| | | | 1 | - | - | 2286769 | EDN,EDS,ED6,ED7,ED8,ED9,ES,ES1,ES3,ES4,ETS,ETX,HH,HX,LH,LHC,LHE,LKE,LP,LX,LXE,LXZ,PX,QE,QH,QHC,QHE,QP,QT,QX,QXB,QXC,QXE,QXEB,SE,SH,SHE,SHEZ,SWX,SX,SXB,SXE,SXEB,VAA,VAAE,VE,VH,VHE,VNG,VNG1,VNG2,VX,VXB,VXE,VXEB,VXG,VXU,VXU1 |
| | | | 1 | - | - | 2288956 | HAQ,QAQ,QNE9 |
| | | | 1 | - | - | 2326584 | EN,ET |
| | 30500-ZF6-W03 | | 1 | 1 | - | 4072597 | EDK,EDN5/A,EDS4,ED8/A,ED9/A,EMT/A,ES1/A,ES3/A,ES4/A,LH/A,LHB3/A,LHB5,LHE/A,LJS1,LT/A,LX/A,LXE/A,L1/A,PX/A,P1/A,QH/A,QHB3/A,QHB5,QHP1/A,QMH/A,QP/A,QT/A,QX/A,QXC/A,QXE/A,Q1/A,SH/A,SX/A,SXE/A,S1/A,VMQ,VMT/A,VS3,VS4,VS5,VS6,VX/A,VXE/A,VXEB/A,VXK,VXU/A,VXU1/A |
| | | | 1 | - | - | ----- | EDT3,ES2,VS2,VS7 |
| 2 | 30600-ZE1-013 | TERMINAL ASSY., HIGH TENSION (NICHIIWA Y-EZ) | 1 | - | - | ----- | EN,ES,ES1/A,ES3/A,ES4/A,ET,ETS,ETX,LP,LT,LT/A,QT,QT/A |
| | | | 1 | - | - | 2427099 | LHB1,SHB1 |
| | | | 1 | - | - | 2582677 | ES1,ES3,ES4 |
| | | | 1 | - | - | 3032023 | EDN5,QHB3 |
| 3 | 31510-ZE2-811 | COIL ASSY., LAMP (12V/50W) .. | 1 | - | - | ----- | LT,LT/A,QP,QP/A,SWX,SWX/A |
| 4 | 31510-ZE1-811 | COIL ASSY., LAMP (12V/25W) .. | 1 | - | - | ----- | EDE2,EDE2/A,EDN,EDN2,EDN2/A,EDN5,EDN5/A,ED6,ED6/A,EN6,EN6/A,VTE2 |
| | 31510-ZE3-003 | | 1 | - | - | ----- | EDE2,EDE2/A,EDN,EDN2,EDN2/A,ENT,ENT/A |
| 5 | 31511-ZE2-W00 | CLAMPER, CORD | 1 | - | - | ----- | QAH2,QAH2/A,QL2,QNR2,QNR2/A |
| 6 | 31511-ZE3-000 | CLAMPER, CORD | 1 | - | - | ----- | EDE2,EDE2/A,EDN,EDN2,EDN2/A,EDN5,EDN5/A,EDS,EDS2,EDS2/A,EDS3,EDS4,EDS5,EDS6,EDS6/A,EDT,EDT/A,ED6,ED6/A,ED7,ENT,ENT/A,EN6,EN6/A,ES4,ES4/A,ETS,LHE,LHE/A,LKE,LKE/A,LT,LT/A,LXE,LXE/A,LXE2,LXE2/A,LXE4,LXE4/A,LXE6,LXE8,LXE8/A,PXE8,PXE8/A,QAE2,QAE2/A,QAE6,QAE6/A,QAG,QAG/A,QHE,QHE/A,QMEO,QMEO/A,QME8,QME8/A,QNE2,QNE2/A,QNE6,QNE9,QNE9/A,QP,QP/A,QPE2,QXE,QXE/A,QXEB,QXE2,QXE4,QXE4/A,QXE6,QXE6/A,QXE8,QXE8/A,SHE,SHEZ,SMEO,SMEO/A,SME2,SWX,SWX/A,SXE,SXE/A,SXEB,SXEB/A,SXE2,SXE4,SXE4/A,SXE8,SXE8/A,VAAE,VEB6,VHE,VH22,VH22/A,VMQ,VMT,VMT/A,VNG2,VS5,VS6,VS7,VTE2,VWA2,VWE,VWE2,VWE2/A,VWS2,VWS2/A,VXE,VXE/A,VXEB,VXEB/A,VXE2,VXE2/A,VXE4,VXE6,VXE8,VXE8/A,VXU1,VXU1/A |

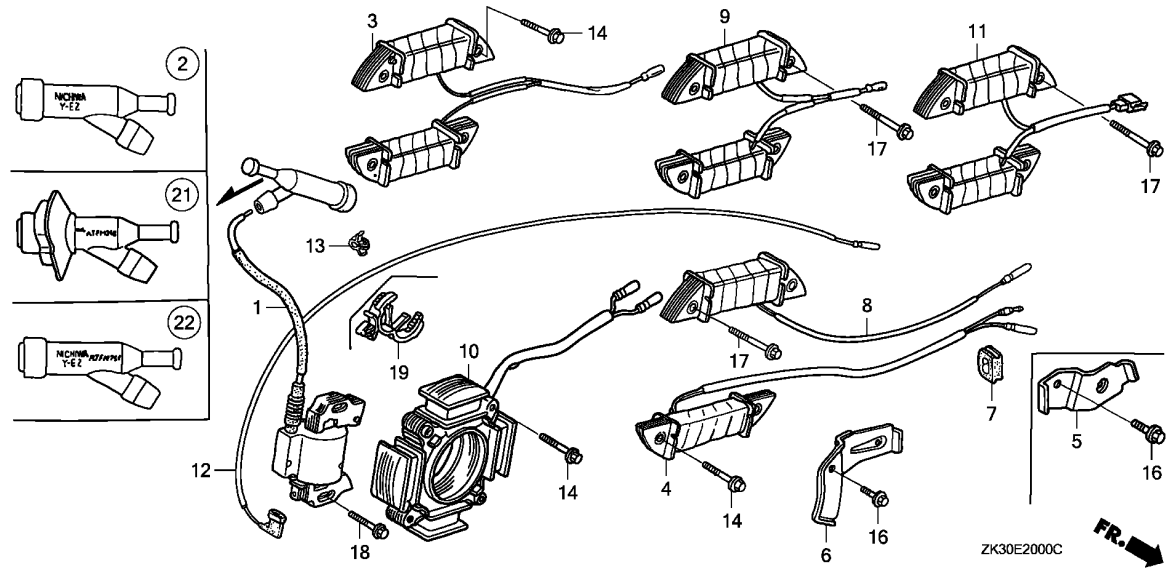




| Ref. No. | Part No. | Description | Reqd. QTY | | | Serial No. | Parts catalogue code |
|----------|---------------|---------------------|-----------|-------|-----|------------|--|
| | | | GX | 340K1 | | | |
| 7 | 31512-ZE2-000 | GROMMET, CORD | (1) | (2) | (3) | ----- | EDE2,EDE2/A,EDK,EDN,EDN2,EDN2/A,EDN5,EDN5/A,EDS,EDS2,EDS2/A,EDS3,EDS4,EDS5,EDS6,EDS6/A,EDT,EDT/A,EDT2,EDT3,EDT6,EDT6/A,ED6,ED6/A,ED7,ED8,ED8/A,ED9,ED9/A,EMT,EMT/A,EN,ENT,ENT/A,EN6,EN6/A,ES,ES1,ES1/A,ES2,ES3,ES3/A,ES4,ES4/A,ET,ETS,ETX,HAQ,HA2,HA2/A,HH,HX,HX2,HX26,HX26/A,LH,LH/A,LHB1,LHB3,LHB3/A,LHB5,LHC,LHE,LHE/A,LHQ4,LHQ4/A,LHW,LJS1,LKE,LKE/A,LP,LT,LT/A,LX,LX/A,LXE,LXE/A,LXE2,LXE2/A,LXE4,LXE4/A,LXE6,LXE8,LXE8/A,LXQ4,LXQ4/A,LXU,LXU/A,LXZ,LX2,LX2/A,LX26,LX26/A,PKT2,PKT2/A,PKT4,PKT4/A,PKX2,PKX4,PKX4/A,PX,PX/A,PXA2,PXE8,PXE8/A,QAB2,QAB2/A,QAC2,QAC2/A,QAE2,QAE2/A,QAE6,QAE6/A,QAG,QAG/A,QA2,QA2/A,QAP2,QAP2/A,QAQ,QA2,QA2/A,QA26,QA26/A,QDW9,QDW9/A,QE,QE/A,QH,QH/A,QHB3,QHB3/A,QHB5,QHC,QHE,QHE/A,QHP1,QHP1/A,QHQ4,QHQ4/A,QH2,QKA4,QKA4/A,QL2,QMEO,QMEO/A,QME8,QME8/A,QMH,QMH/A,QMT2,QMT2/A,QMX2,QNE2,QNE2/A,QNE6,QNE9,QNE9/A,QNR2,QNR2/A,QNR6,QNR6/A,QP,QP/A,QPE2,QT,QT/A,QTC2,QTC2/A,QWH2,QWH2/A,QX,QX/A,QXB,QXB/A,QXC,QXC/A,QXC4,QXC4/A,QXC6,QXC6/A,QXC9,QXC9/A,QXE,QXE/A,QXEB,QXE2,QXE4,QXE4/A,QXE6,QXE6/A,QXE8,QXE8/A,QXQ4,QXQ4/A,QXU,QXU/A,QX2,SE,SE/A,SH,SH/A,SHB1,SHB3,SHB3/A,SHE,SHEZ,SHQ4,SHQ4/A,SHT,SME0,SME0/A,SME2,SMX2,SMX2/A,SWX,SWX/A,SX,SX/A,SXB,SXB/A,SXE,SXE/A,SXEB,SXEB/A,SXE2,SXE4,SXE4/A,SXE8,SXE8/A,SXQ4,SXQ4/A,SXU,SXU/A,VAA,VAAE,VAD2,VAD2/A,VA2,VA2/A,VC2,VC2/A,VDE2,VDE2/A,VD16,VE,VEB6,VH,VHE,VH12,VH12/A,VH22,VH22/A,VMQ,VMT,VMT/A,VMX,VNG,VNG1,VNG2,VS2,VS3,VS4,VS5,VS6,VS7,VTE2,VMA2,VWC,VWC2,VWC2/A,VWE,VWE2,VWE2/A,VWS2,VWS2/A,VW12,VW12/A,VX,VX/A,VXB,VXB/A,VXB2,VXE,VXE/A,VXEB,VXEB/A,VXE2,VXE2/A,VXE4,VXE4/A,VXE8,VXE8/A,VXG,VXK,VXQ4,VXQ4/A,VXU,VXU/A,VXU1,VXU1/A,VX16,VX16/A,VX8,VX8/A |
| | | | - | - | 1 | | |

| Ref. No. | Part No. | Description | Reqd. QTY | | | Serial No. | Parts catalogue code |
|----------|---------------|--------------------------------|-----------|-----|-----|------------|--|
| | | | (1) | (2) | (3) | | |
| 8 | 31630-ZE1-003 | COIL ASSY., CHARGE (1A) | 1 | - | - | ----- | EDS,EDS2,EDS2/A,EDS3,EDS6,EDS6/A,EDT,EDT/A,ED7,ENT,ENT/A,ES4,ETS LHE,LXE,LXE2,LXE2/A,LXE4,LXE4/A,LXE6,LXE8,LXE8/A,PXE8,PXE8/A,QHE QHE/A,QXE,QXEB,QXE2,QXE4,QXE4/A,QXE6,QXE6/A,QXE8,QXE8/A,SHE,SHEZ SME2,SXE,SXEB,SXEB/A,SXE2,SXE4,SXE4/A,SXE8,SXE8/A,VAAE,VEB6,VHE VH22,VH22/A,VMT,VWA2,VME,VME2,VME2/A,VMS2,VMS2/A,VXE,VXEB,VXE2 VXE2/A,VXE4,VXE6,VXE8,VXE8/A,VXU1 |
| | | | 1 | - | - | 4072612 | EDS4,ES4/A,LHE/A,LXE/A,QXE/A,SXE/A,VMQ,VMT/A,VS5,VS6,VXE/A,VXEB/A VXU1/A |
| | 31630-ZE2-841 | COIL ASSY., CHARGE (3A) | 1 | - | - | ----- | QAE2,QAE2/A,QAE6,QAE6/A,VNG2 |
| | 31630-ZE1-013 | COIL ASSY., CHARGE (1A) | 1 | - | - | ----- | VS7 |
| | | | 1 | - | - | 4072613 | EDS4,ES4/A,LHE/A,LXE/A,QXE/A,SXE/A,VMQ,VMT/A,VS5,VS6,VXE/A,VXEB/A VXU1/A |
| 9 | 31630-ZE2-E11 | COIL ASSY., CHARGE | 1 | - | - | ----- | EDS5 |
| 10 | 31630-ZE2-W01 | COIL ASSY., CHARGE (12V/18A) | 1 | - | - | ----- | QAH2,QAH2/A,QL2,QNR2,QNR2/A,QNR6,QNR6/A |
| 11 | 31630-ZE2-861 | COIL ASSY., CHARGE (10A) | 1 | - | - | ----- | LKE,LKE/A,QAG,QAG/A,QMED,QMED/A,QME8,QME8/A,QNE2,QNE2/A,QNE6,QNE9 QNE9/A,QPE2,SME0,SME0/A |
| 12 | 36101-ZE2-701 | CORD, STOP SWITCH (430MM) ... | 1 | - | - | ----- | EDK,EDN5,EDN5/A,ED7,ED8,ED8/A,ED9,ED9/A,EN,ES,ES1,ES1/A,ES2,ET ETS,ETX,HAQ,HA2,HA2/A,HH,HX,HX2,HX26,HX26/A,LH,LH/A,LHB1,LHB3 LHB3/A,LHB5,LHC,LHE,LHE/A,LHQ4,LHQ4/A,LHW,LJS1,LKE,LKE/A,LP,LT LT/A,LX,LX/A,LXE,LXE/A,LXE2,LXE2/A,LXE4,LXE4/A,LXE6,LXE8,LXE8/A LXQ4,LXQ4/A,LXU,LXU/A,LXZ,LX2,LX2/A,LX26,LX26/A,PKT2,PKT2/A,PKT4 PKT4/A,PKX2,PKX4,PKX4/A,PX,PX/A,PXA2,PXE8,PXE8/A,QAB2,QAB2/A,QAC2 QAC2/A,QAE2,QAE2/A,QAE6,QAE6/A,QAG,QAG/A,QAH2,QAH2/A,QAP2,QAP2/A QAQ,QA2,QA2/A,QA26,QA26/A,QDW9,QDW9/A,QE,QE/A,QH,QH/A,QHB3,QHB3/A QHB5,QHC,QHE,QHE/A,QHP1,QHP1/A,QHQ4,QHQ4/A,QH2,QKA4,QKA4/A,QL2 QMED,QMED/A,QME8,QME8/A,QMH,QMH/A,QMT2,QMT2/A,QMX2,QNE2,QNE2/A QNE6,QNE9,QNE9/A,QNR2,QNR2/A,QNR6,QNR6/A,QP,QP/A,QPE2,QT,QT/A QTC2,QTC2/A,QWH2,QWH2/A,QX,QX/A,QXB,QXB/A,QXC,QXC/A,QXC4,QXC4/A QXC6,QXC6/A,QXC9,QXC9/A,QXE,QXE/A,QXEB,QXE2,QXE4,QXE4/A,QXE6 QXE6/A,QXE8,QXE8/A,QXQ4,QXQ4/A,QXU,QXU/A,QX2,SE,SE/A,SH,SH/A,SHB1 SHB3,SHB3/A,SHE,SHEZ,SHQ4,SHQ4/A,SHT,SME0,SME0/A,SME2,SMX2,SMX2/A SWX,SWX/A,SX,SX/A,SXB,SXB/A,SXE,SXE/A,SXEB,SXEB/A,SXE2,SXE4 SXE4/A,SXE8,SXE8/A,SXQ4,SXQ4/A,SXU,SXU/A,VAE,VAE,VAD2,VAD2/A,VA2 VA2/A,VC2,VC2/A,VDE2,VDE2/A,VD16,VE,VEB6,VH,VHE,VH12,VH12/A,VH22 VH22/A,VMQ,VMT,VMT/A,VMX,VNG,VNG1,VNG2,VWA2,VWC2,VWC2/A,VWE2 VWE2/A,VWS2,VWS2/A,VW12,VW12/A,VX,VX/A,VXB,VXB/A,VXB2,VXE,VXE/A VXEB,VXEB/A,VXE2,VXE2/A,VXE4,VXE6,VXE8,VXE8/A,VXG,VXK,VXQ4,VXQ4/A VXU,VXU/A,VXU1,VXU1/A,VX16,VX16/A,VX8,VX8/A |
| | 36101-ZE3-800 | CORD, STOP SWITCH (470MM) ... | - | - | 1 | ----- | EDE2,EDE2/A,EDN,EDN2,EDN2/A,EDS,EDS2,EDS2/A,EDS3,EDS4,EDS5,EDS6 EDS6/A,EDT,EDT/A,EDT2,EDT3,EDT6,EDT6/A,ED6,ED6/A,EMT,EMT/A,ENT ENT/A,EN6,EN6/A,ES3,ES3/A,ES4,ES4/A,VS2,VS3,VS4,VS5,VS6,VS7,VTE2 VWC,VWE |
| 13 | 36103-ZE1-000 | HOLDER, STOP SWITCH CORD | 1 | - | - | ----- | EDE2,EDN,EDN2,EDN2/A,ED8,ED8/A,EN,ES,ES3,ES3/A,ET,ETS,HH,LH,LH/A LHB1,LHB3,LHB3/A,LHB5,LHC,LHQ4,LHQ4/A,LHW,LJS1,LP,LT,LT/A,LXE4 LXE4/A,LXE6,PXE8,PXE8/A,QAE6,QAE6/A,QE,QE/A,QH,QH/A,QHB3,QHB3/A QHB5,QHC,QHP1,QHP1/A,QHQ4,QHQ4/A,QMED,QMED/A,QME8,QME8/A,QMH QMH/A,QNE6,QNR6,QNR6/A,QP,QP/A,QT,QT/A,QXE4,QXE4/A,QXE6,QXE6/A,SE SE/A,SH,SH/A,SHB1,SHB3,SHB3/A,SHQ4,SHQ4/A,SME0,SME0/A,SXE4,SXE4/A VE,VEB6,VH,VMQ,VMT,VMT/A,VNG,VS2,VS3,VS4,VTE2,VXE4,VXE6 |
| 14 | 90012-888-000 | BOLT, FLANGE, 6X40(CT200) ... | 2 | - | - | ----- | EDE2,EDE2/A,EDN,EDN2,EDN2/A,EDN5,EDN5/A,ED6,ED6/A,ENT,ENT/A,EN6 EN6/A,VTE2 |
| | | | 4 | - | - | ----- | LT,LT/A,QAH2,QAH2/A,QL2,QNR2,QNR2/A,QNR6,QNR6/A,QP,QP/A,SWX,SWX/A |



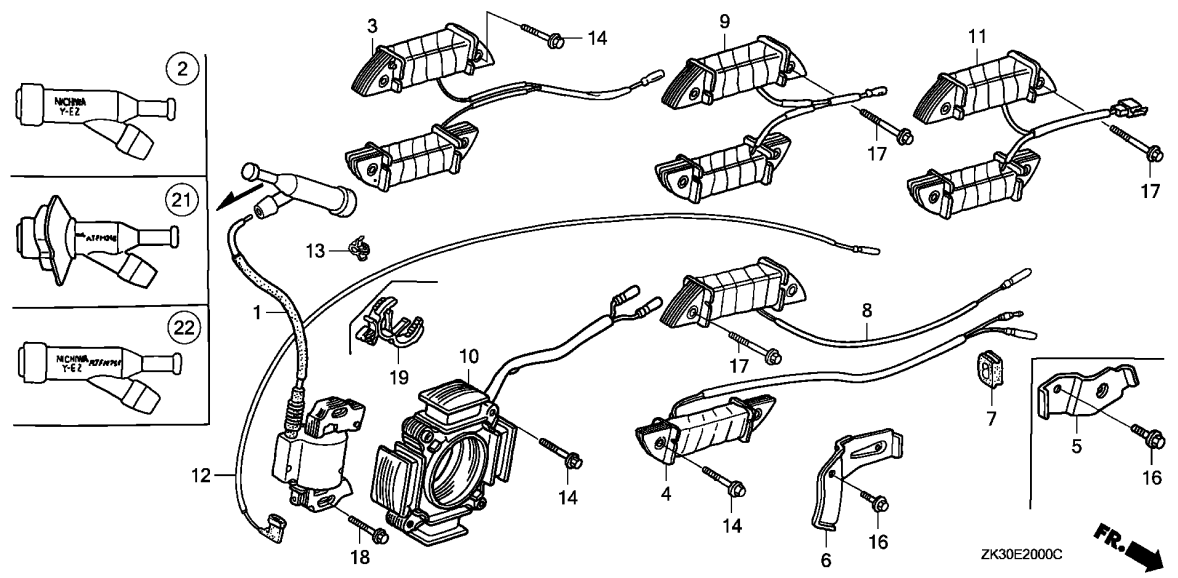


| Ref. No. | Part No. | Description | Reqd. QTY | | | Serial No. | Parts catalogue code |
|----------|---------------|-------------------------------|-----------|-----|-----|------------|---|
| | | | GX | (1) | (2) | | |
| 16 | 90013-883-000 | BOLT, FLANGE, 6X12(CT200) ... | 1 | - | - | ----- | EDE2,EDE2/A,EDN,EDN2,EDN2/A,EDN5,EDN5/A,EDS,EDS2,EDS2/A,EDS3,EDS4,EDS5,EDS6,EDS6/A,EDT,EDT/A,ED6,ED6/A,ED7,ENT,ENT/A,EN6,EN6/A,ES4,ETS,LHE,LHE/A,LKE,LKE/A,LT,LT/A,LXE,LXE/A,LXE2,LXE2/A,LXE4,LXE4/A,LXE6,LXE8,LXE8/A,PXE8,PXE8/A,QAE2,QAE2/A,QAE6,QAE6/A,QAG,QAG/A,QAH2,QAH2/A,QHE,QHE/A,QL2,QMEO,QMEO/A,QME8,QME8/A,QNE2,QNE2/A,QNE6,QNE9,QNE9/A,QNR2,QNR2/A,QP,QP/A,QPE2,QXE,QXE/A,QXEB,QXE2,QXE4,QXE4/A,QXE6,QXE6/A,QXE8,QXE8/A,SHE,SHEZ,SME0,SME0/A,SME2,SWX,SWX/A,SXE,SXE/A,SXEB,SXEB/A,SXE2,SXE4,SXE4/A,SXE8,SXE8/A,VAAE,VEB6,VHE,VH22,VH22/A,VMQ,VMT,VNG2,VSS,VS6,VS7,VTE2,VWA2,VWE,VWE2,VWE2/A,VWS2,VWS2/A,VXE,VXE/A,VXEB,VXEB/A,VXE2,VXE2/A,VXE4,VXE6,VXE8,VXE8/A,VXU1,VXU1/A |
| 17 | 90014-ZE6-000 | BOLT, FLANGE, 6X35(CT200) ... | 2 | - | - | ----- | EDS,EDS2,EDS2/A,EDS3,EDS4,EDS6,EDS6/A,EDT,EDT/A,ED7,ENT,ENT/A,ES4,ES4/A,ETS,LHE,LHE/A,LXE,LXE/A,LXE2,LXE2/A,LXE4,LXE4/A,LXE6,LXE8,LXE8/A,PXE8,PXE8/A,QHE,QHE/A,QXE,QXE/A,QXEB,QXE2,QXE4,QXE4/A,QXE6,QXE6/A,QXE8,QXE8/A,SHE,SHEZ,SME2,SXE,SXE/A,SXEB,SXEB/A,SXE2,SXE4,SXE4/A,SXE8,SXE8/A,VAAE,VEB6,VHE,VH22,VH22/A,VMQ,VMT,VMT/A,VS5,VS6,VS7,VWA2,VWE,VWE2,VWE2/A,VWS2,VWS2/A,VXE,VXE/A,VXEB,VXEB/A,VXE2,VXE2/A,VXE4,VXE6,VXE8,VXE8/A,VXU1,VXU1/A |
| | 90012-888-000 | BOLT, FLANGE, 6X40(CT200) ... | 4 | - | - | 2765247 | EDS5 |
| | | | 2 | - | - | ----- | QAE2,QAE2/A,QAE6,QAE6/A,VNG2 |
| | | | 4 | - | - | ----- | LKE,LKE/A,QAG,QAG/A,QMEO,QMEO/A,QME8,QME8/A,QNE2,QNE2/A,QNE6,QNE9,QNE9/A,QPE2,SME0,SME0/A |
| | | | 4 | - | - | 2765248 | EDS5 |



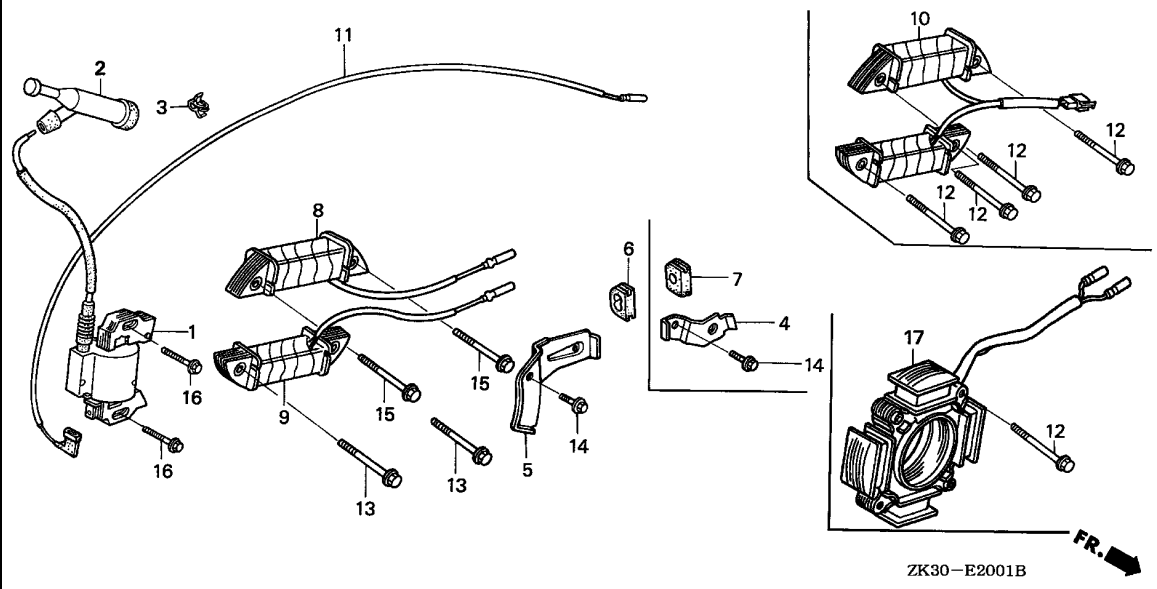
| Ref. No. | Part No. | Description | Reqd. QTY | | | Serial No. | Parts catalogue code |
|----------|---------------|--|-----------|-----|-----|---------------|---|
| | | | (1) | (2) | (3) | | |
| 18 | 90015-883-000 | BOLT, FLANGE, 6X28 | 2 | - | - | ----- | EDE2,EDE2/A,EDK,EDN,EDN2,EDN2/A,EDN5,EDN5/A,EDS,EDS2,EDS2/A,EDS3 EDS4,EDS5,EDS6,EDS6/A,EDT,EDT/A,EDT2,EDT3,EDT6,EDT6/A,ED6,ED6/A ED7,ED8,ED8/A,ED9,ED9/A,EMT,EMT/A,EN,ENT,ENT/A,EN6,EN6/A,ES,ES1 ES1/A,ES2,ES3,ES3/A,ES4,ES4/A,ET,ETS,ETX,HAQ,HA2,HA2/A,HH,HX,HX2 HX26,HX26/A,LH,LH/A,LHB1,LHB3,LHB3/A,LHB5,LHC,LHE,LHE/A,LHQ4 LHQ4/A,LHW,LJS1,LKE,LKE/A,LP,LT,LT/A,LX,LX/A,LXE,LXE/A,LXE2 LXE2/A,LXE4,LXE4/A,LXE6,LXE8,LXE8/A,LXQ4,LXQ4/A,LXU,LXU/A,LXZ,LX2 LX2/A,LX26,LX26/A,PKT2,PKT2/A,PKT4,PKT4/A,PKX2,PKX4,PKX4/A,PX PX/A,PXA2,PXE8,PXE8/A,QAB2,QAB2/A,QAC2,QAC2/A,QAE2,QAE2/A,QAE6 QAE6/A,QAG,QAG/A,QA2,QA2/A,QAP2,QAP2/A,QAQ,QA2,QA2/A,QA26 QA26/A,QDW9,QDW9/A,QE,QE/A,QH,QH/A,QHB3,QHB3/A,QHB5,QHC,QHE,QHE/A QHP1,QHP1/A,QHQ4,QHQ4/A,QH2,QKA4,QKA4/A,QL2,QMED,QMED/A,QME8 QME8/A,QMH,QMH/A,QMT2,QMT2/A,QMX2,QNE2,QNE2/A,QNE6,QNE9,QNE9/A QNR2,QNR2/A,QNR6,QNR6/A,QP,QP/A,QPE2,QT,QT/A,QTC2,QTC2/A,QWH2 QWH2/A,QX,QX/A,QXB,QXB/A,QXC,QXC/A,QXC4,QXC4/A,QXC6,QXC6/A,QXC9 QXC9/A,QXE,QXE/A,QXEB,QXE2,QXE4,QXE4/A,QXE6,QXE6/A,QXE8,QXE8/A QXQ4,QXQ4/A,QXU,QXU/A,QX2,SE,SE/A,SH,SH/A,SHB1,SHB3,SHB3/A,SHE SHEZ,SHQ4,SHQ4/A,SHT,SMEO,SMEO/A,SME2,SMX2,SMX2/A,SWX,SWX/A,SX SX/A,SXB,SXB/A,SXE,SXE/A,SXEB,SXEB/A,SXE2,SXE4,SXE4/A,SXE8,SXE8/A SXQ4,SXQ4/A,SXU,SXU/A,VAA,VAAE,VAD2,VAD2/A,VA2,VA2/A,VC2,VC2/A VDE2,VDE2/A,VD16,VE,VEB6,VH,VHE,VH12,VH12/A,VH22,VH22/A,VMQ,VMT VMT/A,VMX,VNG,VNG1,VNG2,VS2,VS3,VS4,VS5,VS6,VS7,VTE2,VVA2,VWC VWC2,VWC2/A,VWE,VWE2,VWE2/A,VWS2,VWS2/A,VW12,VW12/A,VX,VX/A,VXB VXB/A,VXB2,VXE,VXE/A,VXEB,VXEB/A,VXE2,VXE2/A,VXE4,VXE6,VXE8 VXE8/A,VXG,VXK,VXQ4,VXQ4/A,VXU,VXU/A,VXU1,VXU1/A,VX16,VX16/A,VX8 VX8/A |
| 19 | 90684-ZA0-601 | CLIP, HARNESS | - | 2 | 2 | ----- | EDN5,EDN5/A,EDT3,EMT,EMT/A,EN6,EN6/A,ES2,PKT4,PKT4/A,PKX2,PKX4 PKX4/A,PXA2,QKA4/A |
| 21 | 30700-ZB7-013 | CAP ASSY., NOISE SUPPRESSOR (NICHIIWA Y-EZ RTFM256) | 1 | - | - | 3105643 ----- | QKA4 |
| | | | 1 | - | - | ----- | EDS5 |





| Ref. No. | Part No. | Description | Reqd. QTY GX 340K1 (1) (2) (3) | Serial No. | Parts catalogue code |
|----------|---------------|---|---|------------|---|
| 22 | 30700-ZE1-013 | CAP ASSY., NOISE SUPPRESSOR (NICHIWA Y-EZ RTFM256) | 1 - - | ----- | EDE2,EDE2/A,EDK,EDN,EDN2,EDN2/A,EDN5/A,EDS,EDS2,EDS2/A,EDS3,EDS4,EDS6,EDS6/A,EDT,EDT/A,EDT2,EDT3,EDT6,EDT6/A,ED6,ED6/A,ED7,ED8,ED8/A,ED9,ED9/A,EMT,EMT/A,ENT,ENT/A,EN6,EN6/A,ES2,HAQ,HA2,HA2/A,HH,HX,HX2,HX26,HX26/A,LH,LH/A,LHB3,LHB3/A,LHB5,LHC,LHE,LHE/A,LHQ4,LHQ4/A,LHW,LJS1,LKE,LKE/A,LX,LX/A,LXE,LXE/A,LXE2,LXE2/A,LXE4,LXE4/A,LXE6,LXE8,LXE8/A,LXQ4,LXQ4/A,LXU,LXU/A,LXZ,LX2,LX2/A,LX26,LX26/A,PKT2,PKT2/A,PKT4,PKT4/A,PKX2,PKX4,PKX4/A,PX,PX/A,PXA2,PXE8,PXE8/A,QAB2,QAB2/A,QAC2,QAC2/A,QAE2,QAE2/A,QAE6,QAE6/A,QAG,QAG/A,QAH2,QAH2/A,QAP2,QAP2/A,QAQ,QA2,QA2/A,QA26,QA26/A,QDW9,QDW9/A,QE,QE/A,QH,QH/A,QHB3/A,QHB5,QHC,QHE,QHE/A,QHP1,QHP1/A,QHQ4,QHQ4/A,QH2,QKA4,QKA4/A,QL2,QME0,QME0/A,QME8,QME8/A,QMH,QMH/A,QMT2,QMT2/A,QMX2,QNE2,QNE2/A,QNE6,QNE9,QNE9/A,QNR2,QNR2/A,QNR6,QNR6/A,QP,QP/A,QPE2,QTC2,QTC2/A,QWH2,QWH2/A,QX,QX/A,QXB,QXB/A,QXC,QXC/A,QXC4,QXC4/A,QXC6,QXC6/A,QXC9,QXC9/A,QXE,QXE/A,QXEB,QXE2,QXE4,QXE4/A,QXE6,QXE6/A,QXE8,QXE8/A,QXQ4,QXQ4/A,QXU,QXU/A,QX2,SE,SE/A,SH,SH/A,SHB3,SHB3/A,SHE,SHEZ,SHQ4,SHQ4/A,SHT,SME0,SME0/A,SME2,SMX2,SMX2/A,SWX,SWX/A,SX,SX/A,SXB,SXB/A,SXE,SXE/A,SXEB,SXEB/A,SXE2,SXE4,SXE4/A,SXE8,SXE8/A,SXQ4,SXQ4/A,SXU,SXU/A,VAA,VAAE,VAD2,VAD2/A,VA2,VA2/A,VC2,VC2/A,VDE2,VDE2/A,VD16,VE,VEB6,VH,VHE,VH12,VH12/A,VH22,VH22/A,VMQ,VMQ,VMT,VMT/A,VMX,VNG,VNG1,VNG2,VS2,VS3,VS4,VS5,VS6,VS7,VTE2,VMA2,VWC,VWC2,VWC2/A,VWE,VWE2,VWE2/A,VWS2,VWS2/A,VW12,VW12/A,VX,VX/A,VXB,VXB/A,VXB2,VXE,VXE/A,VXEB,VXEB/A,VXE2,VXE2/A,VXE4,VXE6,VXE8,VXE8/A,VXG,VXK,VXQ4,VXQ4/A,VXU,VXU/A,VXU1,VXU1/A,VX16,VX16/A,VX8,VX8/A |
| | 30700-ZE1-013 | CAP ASSY., NOISE SUPPRESSOR (NICHIWA Y-EZ RTFM256) | 1 - - | 3032024 | EDN5,QHB3 |
| | | | 1 - - | 2427098 | LHB1,SHB1 |
| | | | 1 - - | 2582676 | ES1,ES3,ES4 |
| | | | - - 1 | | |

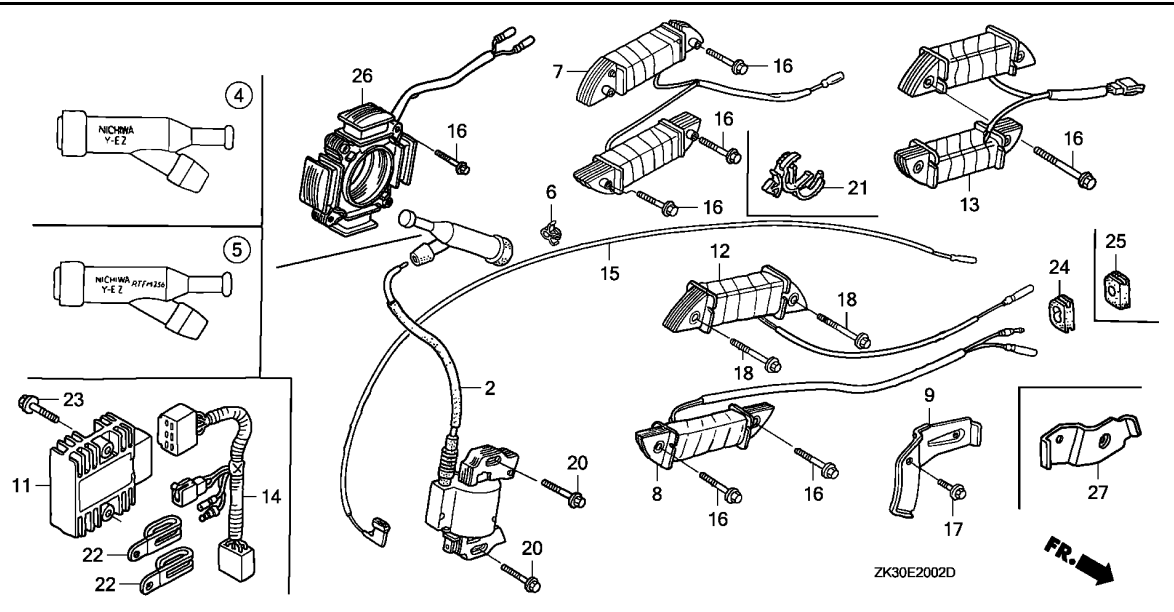
2



| Ref. No. | L.O.N. | (Relative ref. Number) Description | F.R.T. |
|----------|--------|------------------------------------|--------|
| 1 | 6141A5 | COIL, IGNITION(ONE) | 0.3 |
| 2 | 6141B8 | TERMINAL, HIGH TENSION (9,10,17) | 0.1 |
| 8 | 6131C3 | COIL, CHARGE | 0.3 |
| 11 | 6111B3 | CORD, STOP SWITCH | 0.3 |

| Ref. No. | Part No. | Description | Reqd. QTY | | | Serial No. | Parts catalogue code |
|----------|---------------|---|-----------|-----|-----|------------|--|
| | | | GX | (1) | (2) | | |
| 1 | 30500-ZE2-013 | COIL ASSY., IGNITION | 1 | - | - | 2286768 | HA,QA,QAE,QAP,QAPE,QNE,SXP,VA,VAH1,VAH2,VDE,VWA,VXA |
| | 30500-ZE2-023 | | 1 | - | - | | QN18 |
| | 30500-ZF6-W01 | | 1 | - | - | 2286769 | HA,QA,QAE,QAP,QAPE,QNE,SXP,VA,VAH1,VAH2,VDE,VXA |
| 2 | 30700-ZE1-013 | CAP ASSY., NOISE SUPPRESSOR (NICHIIWA Y-EZ RTFM256) | 1 | - | - | | VWA |
| 3 | 30701-883-000 | CLIP, HIGH TENSION CORD (8MM) | 1 | - | - | | HA,QA,QAE,QAP,QAPE,QNE,QN18,SXP,VA,VAH1,VAH2,VDE,VWA,VXA |
| 4 | 31511-ZE2-W00 | CLAMPER, CORD | 1 | - | - | | HA |
| 5 | 31511-ZE3-000 | CLAMPER, CORD | 1 | - | - | | QN18 |
| 6 | 31512-ZE2-000 | GROMMET, CORD | 1 | - | - | | QAE,QAPE,QNE,VAH2,VWA |
| | | | 1 | - | - | 2410960 | HA,QA,QAE,QAP,QAPE,QNE,SXP,VA,VAH1,VAH2,VDE,VWA,VXA |
| | | | 1 | - | - | | QN18 |
| 7 | 31512-ZG3-000 | GROMMET, CORD | 1 | - | - | 2410959 | QN18 |
| 8 | 31630-ZE1-003 | COIL ASSY., CHARGE (1A) | 1 | - | - | | VAH2,VWA |
| 9 | 31630-ZE2-841 | COIL ASSY., CHARGE (3A) | 1 | - | - | | QAE |
| 10 | 31630-ZE2-861 | COIL ASSY., CHARGE (10A) | 1 | - | - | | QAPE,QNE |
| 11 | 36101-ZE2-701 | CORD, STOP SWITCH (430MM) | 1 | - | - | | HA,QA,QAE,QAP,QAPE,QNE,QN18,SXP,VA,VAH1,VAH2,VDE,VWA,VXA |
| 12 | 90012-888-000 | BOLT, FLANGE, 6X40(CT200) | 4 | - | - | | QAPE,QNE,QN18 |
| 13 | 90012-888-000 | BOLT, FLANGE, 6X40(CT200) | 2 | - | - | | QAE |
| 14 | 90013-883-000 | BOLT, FLANGE, 6X12(CT200) | 1 | - | - | | QAE,QAPE,QNE,QN18,VAH2,VWA |
| 15 | 90014-ZE6-000 | BOLT, FLANGE, 6X35(CT200) | 2 | - | - | | VAH2,VWA |
| 16 | 90015-883-000 | BOLT, FLANGE, 6X28 | 2 | - | - | | HA,QA,QAE,QAP,QAPE,QNE,QN18,SXP,VA,VAH1,VAH2,VDE,VWA,VXA |
| 17 | 31630-ZE2-W01 | COIL ASSY., CHARGE (12V/18A) | 1 | - | - | | QN18 |





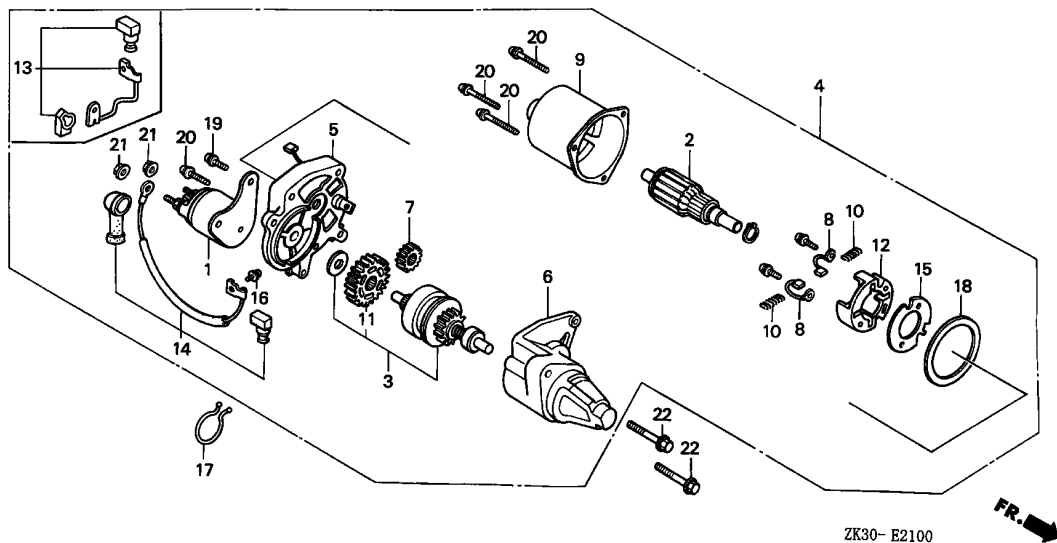
| Ref. No. | L.O.N. | (Relative ref. Number) Description | F.R.T. |
|----------|--------|------------------------------------|--------|
| 2 | 6141A5 | COIL, IGNITION(ONE) (4) | 0.3 |
| 5 | 6141B8 | TERMINAL, HIGH TENSION (8) | 0.1 |
| 7 | 6141A6 | COIL, LAMP | 0.3 |
| 11 | 6131B7 | RECTIFIER, REGULATOR (12) | 0.2 |
| 13 | 6131C3 | COIL, CHARGE | 0.3 |
| 14 | 6111E6 | HARNESS, REGULATOR RECTIFIER | 0.2 |
| 15 | 6111B3 | CORD, STOP SWITCH | 0.3 |



| Ref. No. | Part No. | Description | Reqd. QTY | | | Serial No. | Parts catalogue code |
|----------|---------------|--|-----------|-------|-----|------------|---|
| | | | GX | 340K1 | | | |
| | | | (1) | (2) | (3) | | |
| 2 | 30500-ZE2-013 | COIL ASSY., IGNITION | 1 | - | - | 2296924 | BJ,EDS1,EDT1,LJ,SJ,STJ,STP,STQ,YJ |
| | 30500-ZE2-023 | | 1 | - | - | 2287907 | L1,P1,Q1,S1,V1 |
| | 30500-ZF6-W01 | | 1 | (1) | - | 2296925 | EDS1/A,EDT1/A,LJ/A,LJG,LJG/A,SDE,SJ/A,SJG,SJG/A,SKE,SKE/A,SKZ/A,STJ/A,STP/A,STQ/A,STR,STR/A |
| | 30500-ZF6-W02 | | 1 | (1) | - | 2287908 | LSX,L1/A,P1/A,Q1/A,S1/A |
| | 30500-ZF6-W03 | | 1 | - | - | 4072596 | ENT2,LJS,LWD1,QXB7,QXB7/A,SXB7,SXB7/A,VSH7,VXB7,VXB7/A,VXE7 |
| 4 | 30600-ZE1-013 | TERMINAL ASSY., HIGH TENSION (NICHIWA Y-EZ) | 1 | - | - | 4072597 | LWD,LWD1/A |
| | | | 1 | - | - | | BJ,LSX,LWD,STJ,STJ/A,YJ |
| | | | 1 | - | - | 3032023 | LJ,LJG,SDE,SJ,SJG,SKE,SKZ,STR |
| 5 | 30700-ZE1-013 | CAP ASSY., NOISE SUPPRESSOR (NICHIWA Y-EZ RTFM256) | 1 | - | - | | EDS1,EDS1/A,EDT1,EDT1/A,ENT2,LJ/A,LJG/A,LJS,LJS/A,LWD1,LWD1/A |
| | | | 1 | - | - | 3032024 | QXB7,QXB7/A,SJ/A,SJG/A,SKE/A,SKZ/A,STP,STP/A,STQ,STQ/A,STR/A,SXB7 |
| | | | 1 | (1) | - | | SXB7/A,VSH7,VXB7,VXB7/A,VXE7,VXE7/A,ZK1,ZK1/A |
| 6 | 30701-883-000 | CLIP, HIGH TENSION CORD (8MM) | - | (1) | - | | |
| | 36103-ZE1-000 | HOLDER, STOP SWITCH CORD | 1 | - | - | | LJS |
| | | | - | (1) | - | | |
| 7 | 31510-ZE2-811 | COIL ASSY., LAMP (12V/50W) | - | (1) | - | | |
| 8 | 31510-ZE3-003 | COIL ASSY., LAMP (12V/25W) | 1 | - | - | | ENT2,SDE |
| | | | - | (1) | - | | |
| | 31510-ZE3-811 | COIL ASSY., LAMP (6V/25W) | - | (1) | - | | |

| Ref. No. | Part No. | Description | Reqd. QTY | | | Serial No. | Parts catalogue code |
|----------|---|--|-----------|-----|-----|------------|--|
| | | | (1) | (2) | (3) | | |
| 9 | 31511-ZE3-000 | CLAMPER, CORD | 1 | - | - | ----- | EDS1,EDS1/A,ENT2,LWD,SDE,SKE,SKE/A,STJ,STJ/A,VXE7,VXE7/A,ZK1 ZK1/A |
| 11 | 31600-890-951 31600-ZE2-861 | RECTIFIER ASSY., REGULATOR .. RECTIFIER ASSY., REGULATOR (10A) | 1 | (1) | - | ----- | 2249295 L1,P1,Q1,S1,V1 2355211 ZK1 |
| 12 | 31630-ZE1-003 31630-ZE1-013 31630-ZE2-841 | COIL ASSY., CHARGE (1A) | 1 | (1) | - | ----- | ZK1/A ZK1 |
| 13 | 31630-ZE2-861 | COIL ASSY., CHARGE (10A) | 1 | (1) | - | ----- | 2355212 |
| 14 | 32100-ZE3-L60 | HARNESS ASSY., ENGINE | 1 | (1) | - | ----- | EDS1,ENT2,L1,P1,Q1,Q1/A,SDE,SKE,STJ,S1,VXE7,VXE7/A,V1 |
| 15 | 36101-ZE2-701 | CORD, STOP SWITCH (430MM) ... | 1 | (1) | - | ----- | 4072612 EDS1/A,L1/A,P1/A,SKE/A,STJ/A,S1/A EDS1/A,L1/A,P1/A,SKE/A,STJ/A,S1/A |
| | 36101-ZE3-800 | CORD, STOP SWITCH (470MM) ... | 1 | (1) | - | ----- | LWD,ZK1,ZK1/A |
| 16 | 90012-888-000 | BOLT, FLANGE, 6X40(CT200) ... | N | (1) | - | ----- | ZK1,ZK1/A |
| 17 | 90013-883-000 | BOLT, FLANGE, 6X12(CT200) ... | 1 | (N) | - | ----- | EDS1,EDS1/A,ENT2,LWD,LWD1,LWD1/A,SDE,SKE,SKE/A,STJ,STJ/A,VXE7 VXE7/A,ZK1,ZK1/A |
| 18 | 90014-ZE6-000 | BOLT, FLANGE, 6X35(CT200) ... | 2 | (1) | - | ----- | EDS1,EDS1/A,ENT2,SDE,SKE,SKE/A,STJ,STJ/A,VXE7,VXE7/A |
| 20 | 90015-883-000 | BOLT, FLANGE, 6X28 | 2 | (2) | - | ----- | BJ,EDS1,EDS1/A,EDT1,EDT1/A,ENT2,LJ,LJ/A,LJG,LJG/A,LJS,LSX,LWD LWD1,LWD1/A,QXB7,QXB7/A,SDE,SJ,SJ/A,SJG,SJG/A,SKE,SKE/A,SKZ,SKZ/A STJ,STJ/A,STP,STP/A,STQ,STQ/A,STR,STR/A,SXB7,SXB7/A,VSH7,VXB7 VXB7/A,VXE7,VXE7/A,YJ,ZK1,ZK1/A |
| 21 | 90684-ZA0-601 | CLIP, HARNESS | 1 | (2) | - | ----- | EDT1,EDT1/A,LSX,QXB7,QXB7/A,SKZ,SKZ/A,SXB7,SXB7/A,VSH7,VXB7 VXB7/A |
| 22 | 91406-166-000 | CLIP, WIRE | 2 | - | - | ----- | ZK1,ZK1/A |
| 23 | 95701-06025-00 | BOLT, FLANGE, 6X25 | 2 | - | - | ----- | ZK1,ZK1/A |
| 24 | 31512-ZE2-000 | GROMMET, CORD | 1 | - | - | ----- | BJ,EDS1,EDS1/A,EDT1,EDT1/A,ENT2,LJ,LJ/A,LJG,LJG/A,LJS,LSX,LWD LWD1,LWD1/A,QXB7,QXB7/A,SDE,SJ,SJ/A,SJG,SJG/A,SKE,SKE/A,SKZ,SKZ/A STJ,STJ/A,STP,STP/A,STQ,STQ/A,STR,STR/A,SXB7,SXB7/A,VSH7,VXB7 VXB7/A,VXE7,VXE7/A,YJ,ZK1,ZK1/A |
| 25 | 31512-ZG3-000 | GROMMET, CORD | - | (1) | - | ----- | L1/A,P1/A,Q1/A,S1/A |
| 26 | 31630-ZE2-W01 | COIL ASSY., CHARGE (12V/18A) | 1 | (1) | - | ----- | 2249296 L1,P1,Q1,S1,V1 |
| 27 | 31511-ZE2-W00 | CLAMPER, CORD | 1 | (1) | - | ----- | LWD1,LWD1/A |
| | | | - | (1) | - | ----- | LWD1,LWD1/A,L1/A,P1/A,Q1/A,S1/A L1,P1,Q1,S1,V1 |



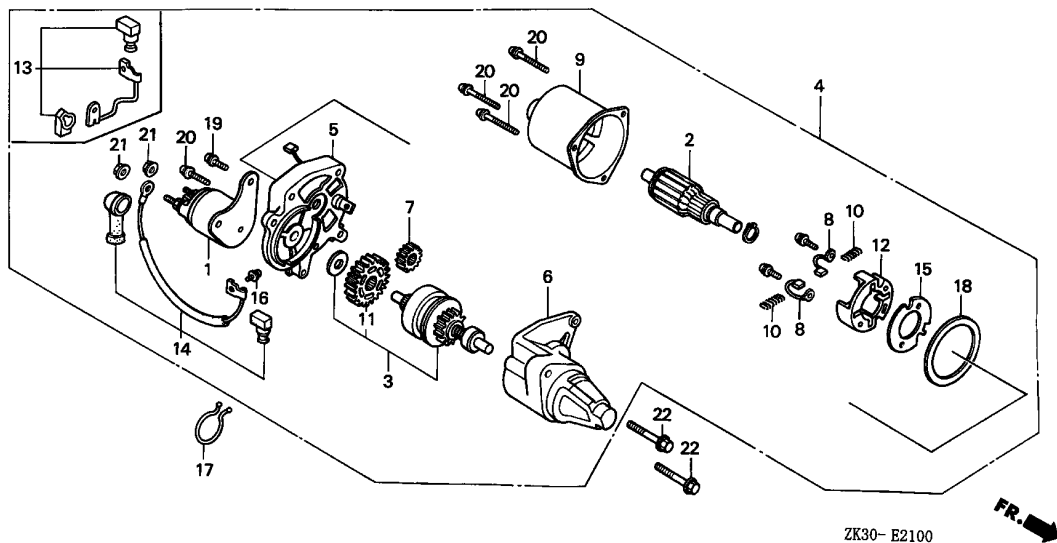


| Ref. No. | L.O.N. | (Relative ref. Number) Description | F.R.T. |
|----------|--------|------------------------------------|--------|
| 1 | 6121E5 | CONTACTOR, STARTER | 0.2 |
| 2 | 6121A0 | ARMATURE, STARTER | 0.4 |
| 3 | | (11) | |
| | 6121B0 | CLUTCH, OVERRUNNING | 0.4 |
| 4 | 6121D5 | MOTOR, STARTER | 0.2 |
| 5 | 6121C3 | BRACKET, STARTER :CENTER | 0.4 |
| 6 | 6121D2 | BRACKET, STARTER :FRONT | 0.3 |
| 7 | 6121B2 | GEAR SET, STARTER PINION | 0.4 |
| 8 | 6121A9 | BRUSH, STARTER | 0.4 |
| 9 | 6121D1 | YOKE, STARTER | 0.4 |
| 12 | 6121B6 | HOLDER, STARTER BRUSH | 0.4 |
| 13 | 6121D0 | WIRE, WATER COVER | 0.1 |

| Ref. No. | Part No. | Description | Reqd. QTY | | | Serial No. | Parts catalogue code |
|----------|---------------|----------------------|-----------|-----|-----|------------|--|
| | | | GX | (1) | (2) | | |
| 1 | 31204-ZA0-003 | CONTACTOR ASSY. | 1 | - | - | ----- | EDE2,EDE2/A,EDS,EDS1,EDS1/A,EDS2,EDS2/A,EDS3,EDS4,EDS5,EDS6 EDS6/A,EDT,EDT/A,ED7,ENT,ENT/A,ENT2,ES4,ES4/A,ETS,LHE,LHE/A,LKE LKE/A,LWD,LXE,LXE/A,LXE2,LXE2/A,LXE4,LXE4/A,LXE6,LXE8,LXE8/A,PXE8 PXE8/A,QAE,QAE2,QAE2/A,QAE6,QAE6/A,QAPE,QHE,QHE/A,QL2,QMEO,QMEO/A QME8,QME8/A,QNE,QNE2,QNE2/A,QNE6,QNE9,QNE9/A,QNR2,QNR2/A,QNR6 QNR6/A,QN18,QPE2,QXE,QXE/A,QXEB,QXE2,QXE4,QXE4/A,QXE6,QXE6/A,QXE8 QXE8/A,SDE,SHE,SHEZ,SKE,SKE/A,SME0,SME0/A,SME2,STJ,STJ/A,SXE SXE/A,SXEB,SXEB/A,SXE2,SXE4,SXE4/A,SXE8,SXE8/A,VAAE,VAH2,VEB6,VHE VH22,VH22/A,VMQ,VMT,VMT/A,VNG2,VS5,VS6,VS7,VVA,VVA2,VWE,VWE2 VWE2/A,VWS2,VWS2/A,VXE,VXE/A,VXEB,VXEB/A,VXE2,VXE2/A,VXE4,VXE6 VXE7,VXE7/A,VXE8,VXE8/A,VXU1,VXU1/A,ZK1,ZK1/A |
| 2 | 31206-ZE3-003 | ARMATURE COMP. | 1 | (1) | - | ----- | EDE2,EDE2/A,EDS,EDS1,EDS1/A,EDS2,EDS2/A,EDS3,EDS4,EDS5,EDS6 EDS6/A,EDT,EDT/A,ED7,ENT,ENT/A,ENT2,ES4,ES4/A,ETS,LHE,LHE/A,LKE LKE/A,LWD,LWD1,LWD1/A,LXE,LXE/A,LXE2,LXE2/A,LXE4,LXE4/A,LXE6,LXE8 LXE8/A,PXE8,PXE8/A,QAE,QAE2,QAE2/A,QAE6,QAE6/A,QAPE,QHE,QHE/A,QL2 QMEO,QMEO/A,QME8,QME8/A,QNE,QNE2,QNE2/A,QNE6,QNE9,QNE9/A,QNR2 QNR2/A,QNR6,QNR6/A,QN18,QPE2,QXE,QXE/A,QXEB,QXE2,QXE4,QXE4/A,QXE6 QXE6/A,QXE8,QXE8/A,SDE,SHE,SHEZ,SKE,SKE/A,SME0,SME0/A,SME2,STJ STJ/A,SXE,SXE/A,SXEB,SXEB/A,SXE2,SXE4,SXE4/A,SXE8,SXE8/A,VAAE VAH2,VEB6,VHE,VH22,VH22/A,VMQ,VMT,VMT/A,VNG2,VS5,VS6,VS7,VVA,VVA2 VWE,VWE2,VWE2/A,VWS2,VWS2/A,VXE,VXE/A,VXEB,VXEB/A,VXE2,VXE2/A VXE4,VXE6,VXE7,VXE7/A,VXE8,VXE8/A,VXU1,VXU1/A,ZK1,ZK1/A |
| | | | - | (1) | - | ----- | |

| Ref. No. | Part No. | Description | Reqd. QTY | | | Serial No. | Parts catalogue code |
|----------|--------------------------------|-------------------------------|-----------|------------|-----|--------------------|---|
| | | | (1) | (2) | (3) | | |
| 3 | 31207-ZE3-003 | CLUTCH COMP., OVERRUNNING ... | 1 | - | - | | EDE2,EDE2/A,EDS,EDS1,EDS1/A,EDS2,EDS2/A,EDS3,EDS4,EDS5,EDS6 EDS6/A,EDT,EDT/A,ED7,ENT,ENT/A,ENT2,ES4,ES4/A,ETS,LHE,LHE/A,LKE LKE/A,LWD,LWD1,LWD1/A,LXE,LXE/A,LXE2,LXE2/A,LXE4,LXE4/A,LXE6,LXE8 LXE8/A,PXE8,PXE8/A,QAE,QAE2,QAE2/A,QAE6,QAE6/A,QAPE,QHE,QHE/A,QL2 QME0,QME0/A,QME8,QME8/A,QNE,QNE2,QNE2/A,QNE6,QNE9,QNE9/A,QNR2 QNR2/A,QNR6,QNR6/A,QN18,QPE2,QXE,QXE/A,QXEB,QXE2,QXE4,QXE4/A,QXE6 QXE6/A,QXE8,QXE8/A,SDE,SHE,SHEZ,SKE,SKE/A,SME0,SME0/A,SME2,STJ STJ/A,SXE,SXE/A,SXEB,SXEB/A,SXE2,SXE4,SXE4/A,SXE8,SXE8/A,VAAE VAH2,VEB6,VHE,VH22,VH22/A,VMQ,VMT,VMT/A,VNG2,VS5,VS6,VS7,VWA,VWA2 VWE,VWE2,VWE2/A,VWS2,VWS2/A,VXE,VXE/A,VXEB,VXEB/A,VXE2,VXE2/A VXE4,VXE6,VXE7,VXE7/A,VXE8,VXE8/A,VXU1,VXU1/A,ZK1,ZK1/A |
| 4 | 31210-ZB8-013 31210-ZE3-013 | MOTOR UNIT, STARTER | 1 1 | (1) (1) | - | | EDS5 EDE2,EDE2/A,EDS,EDS1,EDS2,EDS2/A,EDS3,EDS6,EDS6/A,EDT,EDT/A,ED7 ENT,ENT/A,ENT2,ES4,ETS,LHE,LHE/A,LKE,LKE/A,LXE,LXE2,LXE2/A,LXE4 LXE4/A,LXE6,LXE8,LXE8/A,L1,PXE8,PXE8/A,P1,QAE,QAE2,QAE2/A,QAE6 QAE6/A,QAPE,QHE,QHE/A,QL2,QME0,QME0/A,QME8,QME8/A,QNE,QNE2,QNE2/A QNE6,QNE9,QNE9/A,QNR2,QNR2/A,QNR6,QNR6/A,QN18,QPE2,QXE,QXE2 QXE4,QXE4/A,QXE6,QXE6/A,QXE8,QXE8/A,Q1,SDE,SHE,SHEZ,SKE,SME0 SME0/A,SME2,STJ,SXE,SXEB,SXEB/A,SXE2,SXE4,SXE4/A,SXE8,SXE8/A,S1 VAAE,VAH2,VEB6,VHE,VH22,VH22/A,VMT,VNG2,VWA,VWA2,VWE,VWE2,VWE2/A VWS2,VWS2/A,VXE,VXEB,VXEB/A,VXE2,VXE2/A,VXE4,VXE6,VXE7,VXE7/A VXE8,VXE8/A,VXU1,VXU1/A,V1,ZK1,ZK1/A |
| | 31210-ZE3-A11 31210-ZE3-023 | | 1 1 | - (1) | - | 4074650 4074651 | EDS1/A,EDS4,ES4/A,LWD,LXE/A,L1/A,P1/A,QXE/A,Q1/A,SKE/A,STJ/A SXE/A,S1/A,VMQ,VMT/A,VS5,VS6,VXE/A LWD1,LWD1/A EDS1/A,EDS4,ES4/A,LWD,LXE/A,L1/A,P1/A,QXE/A,Q1/A,SKE/A,STJ/A SXE/A,S1/A,VMQ,VMT/A,VS5,VS6,VXE/A |
| 5 | 31211-ZE2-003 | BRACKET, CENTER | 1 | - | - | | VS7 EDE2,EDE2/A,EDS,EDS1,EDS1/A,EDS2,EDS2/A,EDS3,EDS4,EDS5,EDS6 EDS6/A,EDT,EDT/A,ED7,ENT,ENT/A,ENT2,ES4,ES4/A,ETS,LHE,LHE/A,LKE LKE/A,LWD,LWD1,LWD1/A,LXE,LXE/A,LXE2,LXE2/A,LXE4,LXE4/A,LXE6,LXE8 LXE8/A,PXE8,PXE8/A,QAE,QAE2,QAE2/A,QAE6,QAE6/A,QAPE,QHE,QHE/A,QL2 QME0,QME0/A,QME8,QME8/A,QNE,QNE2,QNE2/A,QNE6,QNE9,QNE9/A,QNR2 QNR2/A,QNR6,QNR6/A,QN18,QPE2,QXE,QXE/A,QXEB,QXE2,QXE4,QXE4/A,QXE6 QXE6/A,QXE8,QXE8/A,SDE,SHE,SHEZ,SKE,SKE/A,SME0,SME0/A,SME2,STJ STJ/A,SXE,SXE/A,SXEB,SXEB/A,SXE2,SXE4,SXE4/A,SXE8,SXE8/A,VAAE VAH2,VEB6,VHE,VH22,VH22/A,VMQ,VMT,VMT/A,VNG2,VS5,VS6,VS7,VWA,VWA2 VWE,VWE2,VWE2/A,VWS2,VWS2/A,VXE,VXE/A,VXEB,VXEB/A,VXE2,VXE2/A VXE4,VXE6,VXE7,VXE7/A,VXE8,VXE8/A,VXU1,VXU1/A,ZK1,ZK1/A |
| | | | - | (1) | - | | |
| 6 | 31212-ZE3-003 | BRACKET, FR. | 1 | - | - | | EDE2,EDE2/A,EDS,EDS1,EDS1/A,EDS2,EDS2/A,EDS3,EDS4,EDS5,EDS6 EDS6/A,EDT,EDT/A,ED7,ENT,ENT/A,ENT2,ES4,ES4/A,ETS,LHE,LHE/A,LKE LKE/A,LWD,LWD1,LWD1/A,LXE,LXE/A,LXE2,LXE2/A,LXE4,LXE4/A,LXE6,LXE8 LXE8/A,PXE8,PXE8/A,QAE,QAE2,QAE2/A,QAE6,QAE6/A,QAPE,QHE,QHE/A,QL2 QME0,QME0/A,QME8,QME8/A,QNE,QNE2,QNE2/A,QNE6,QNE9,QNE9/A,QNR2 QNR2/A,QNR6,QNR6/A,QN18,QPE2,QXE,QXE/A,QXEB,QXE2,QXE4,QXE4/A,QXE6 QXE6/A,QXE8,QXE8/A,SDE,SHE,SHEZ,SKE,SKE/A,SME0,SME0/A,SME2,STJ STJ/A,SXE,SXE/A,SXEB,SXEB/A,SXE2,SXE4,SXE4/A,SXE8,SXE8/A,VAAE VAH2,VEB6,VHE,VH22,VH22/A,VMQ,VMT,VMT/A,VNG2,VS5,VS6,VS7,VWA,VWA2 VWE,VWE2,VWE2/A,VWS2,VWS2/A,VXE,VXE/A,VXEB,VXEB/A,VXE2,VXE2/A VXE4,VXE6,VXE7,VXE7/A,VXE8,VXE8/A,VXU1,VXU1/A,ZK1,ZK1/A |
| | | | - | (1) | - | | |

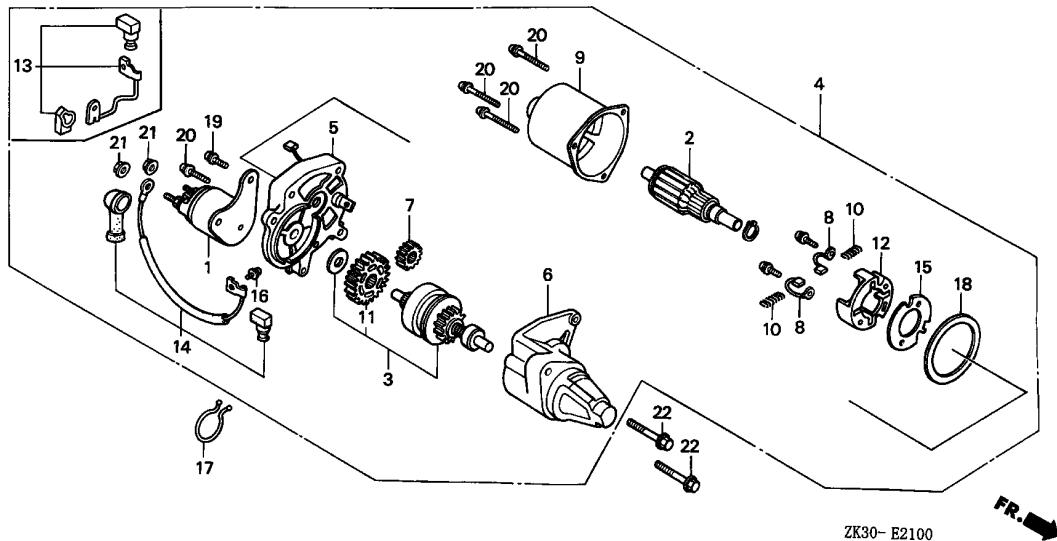




| Ref. No. | Part No. | Description | Reqd. QTY | | | Serial No. | Parts catalogue code |
|----------|---------------|--------------------------|-----------|-----|-----|------------|--|
| | | | GX | (1) | (2) | | |
| 7 | 31213-ZE2-003 | GEAR, DRIVE PINION | 1 | - | - | ----- | EDE2,EDE2/A,EDS,EDS1,EDS1/A,EDS2,EDS2/A,EDS3,EDS4,EDS5,EDS6 EDS6/A,EDT,EDT/A,ED7,ENT,ENT/A,ENT2,ES4,ES4/A,ETS,LHE,LHE/A,LKE LKE/A,LWD,LWD1,LWD1/A,LXE,LXE/A,LXE2,LXE2/A,LXE4,LXE4/A,LXE6,LXE8 LXE8/A,PXE8,PXE8/A,QAE,QAE2,QAE2/A,QAE6,QAE6/A,QAPE,QHE,QHE/A,QL2 QME0,QME0/A,QME8,QME8/A,QNE,QNE2,QNE2/A,QNE6,QNE9,QNE9/A,QNR2 QNR2/A,QNR6,QNR6/A,QN18,QPE2,QXE,QXE/A,QXEB,QXE2,QXE4,QXE4/A,QXE6 QXE6/A,QXE8,QXE8/A,SDE,SHE,SHEZ,SKE,SKE/A,SME0,SME0/A,SME2,STJ STJ/A,SXE,SXE/A,SXEB,SXEB/A,SXE2,SXE4,SXE4/A,SXE8,SXE8/A,VAAE VAH2,VEB6,VHE,VH22,VH22/A,VMQ,VMT,VMT/A,VNG2,VS5,VS6,VS7,VWA,VWA2 VWE,VWE2,VWE2/A,VWS2,VWS2/A,VXE,VXE/A,VXEB,VXEB/A,VXE2,VXE2/A VXE4,VXE6,VXE7,VXE7/A,VXE8,VXE8/A,VXU1,VXU1/A,ZK1,ZK1/A |
| 8 | 31215-ZE2-003 | BRUSH | 2 | (1) | - | ----- | EDE2,EDE2/A,EDS,EDS1,EDS1/A,EDS2,EDS2/A,EDS3,EDS4,EDS5,EDS6 EDS6/A,EDT,EDT/A,ED7,ENT,ENT/A,ENT2,ES4,ES4/A,ETS,LHE,LHE/A,LKE LKE/A,LWD,LWD1,LWD1/A,LXE,LXE/A,LXE2,LXE2/A,LXE4,LXE4/A,LXE6,LXE8 LXE8/A,PXE8,PXE8/A,QAE,QAE2,QAE2/A,QAE6,QAE6/A,QAPE,QHE,QHE/A,QL2 QME0,QME0/A,QME8,QME8/A,QNE,QNE2,QNE2/A,QNE6,QNE9,QNE9/A,QNR2 QNR2/A,QNR6,QNR6/A,QN18,QPE2,QXE,QXE/A,QXEB,QXE2,QXE4,QXE4/A,QXE6 QXE6/A,QXE8,QXE8/A,SDE,SHE,SHEZ,SKE,SKE/A,SME0,SME0/A,SME2,STJ STJ/A,SXE,SXE/A,SXEB,SXEB/A,SXE2,SXE4,SXE4/A,SXE8,SXE8/A,VAAE VAH2,VEB6,VHE,VH22,VH22/A,VMQ,VMT,VMT/A,VNG2,VS5,VS6,VS7,VWA,VWA2 VWE,VWE2,VWE2/A,VWS2,VWS2/A,VXE,VXE/A,VXEB,VXEB/A,VXE2,VXE2/A VXE4,VXE6,VXE7,VXE7/A,VXE8,VXE8/A,VXU1,VXU1/A,ZK1,ZK1/A |
| | | | - | (2) | - | ----- | |

| Ref. No. | Part No. | Description | Reqd. QTY | | | Serial No. | Parts catalogue code |
|----------|---------------|----------------------------|-----------|-----|-----|------------|--|
| | | | (1) | (2) | (3) | | |
| 9 | 31218-ZE3-003 | YOKE COMP. | 1 | - | - | ----- | EDE2,EDE2/A,EDS,EDS1,EDS1/A,EDS2,EDS2/A,EDS3,EDS4,EDS5,EDS6 EDS6/A,EDT,EDT/A,ED7,ENT,ENT/A,ENT2,ES4,ES4/A,ETS,LHE,LHE/A,LKE LKE/A,LWD,LWD1,LWD1/A,LXE,LXE/A,LXE2,LXE2/A,LXE4,LXE4/A,LXE6,LXE8 LXE8/A,PXE8,PXE8/A,QAE,QAE2,QAE2/A,QAE6,QAE6/A,QAPE,QHE,QHE/A,QL2 QME0,QME0/A,QME8,QME8/A,QNE,QNE2,QNE2/A,QNE6,QNE9,QNE9/A,QNR2 QNR2/A,QNR6,QNR6/A,QN18,QPE2,QXE,QXE/A,QXEB,QXE2,QXE4,QXE4/A,QXE6 QXE6/A,QXE8,QXE8/A,SDE,SHE,SHEZ,SKE,SKE/A,SME0,SME0/A,SME2,STJ STJ/A,SXE,SXE/A,SXEB,SXEB/A,SXE2,SXE4,SXE4/A,SXE8,SXE8/A,VAAE VAH2,VEB6,VHE,VH22,VH22/A,VMQ,VMT,VMT/A,VNG2,VS5,VS6,VS7,VWA,VWA2 VWE,VWE2,VWE2/A,VWS2,VWS2/A,VXE,VXE/A,VXEB,VXEB/A,VXE2,VXE2/A VXE4,VXE6,VXE7,VXE7/A,VXE8,VXE8/A,VXU1,VXU1/A,ZK1,ZK1/A |
| 10 | 31219-ZE2-003 | SPRING, BRUSH RETURN | 4 | (1) | - | ----- | EDE2,EDE2/A,EDS,EDS1,EDS1/A,EDS2,EDS2/A,EDS3,EDS4,EDS5,EDS6 EDS6/A,EDT,EDT/A,ED7,ENT,ENT/A,ENT2,ES4,ES4/A,ETS,LHE,LHE/A,LKE LKE/A,LWD,LWD1,LWD1/A,LXE,LXE/A,LXE2,LXE2/A,LXE4,LXE4/A,LXE6,LXE8 LXE8/A,PXE8,PXE8/A,QAE,QAE2,QAE2/A,QAE6,QAE6/A,QAPE,QHE,QHE/A,QL2 QME0,QME0/A,QME8,QME8/A,QNE,QNE2,QNE2/A,QNE6,QNE9,QNE9/A,QNR2 QNR2/A,QNR6,QNR6/A,QN18,QPE2,QXE,QXE/A,QXEB,QXE2,QXE4,QXE4/A,QXE6 QXE6/A,QXE8,QXE8/A,SDE,SHE,SHEZ,SKE,SKE/A,SME0,SME0/A,SME2,STJ STJ/A,SXE,SXE/A,SXEB,SXEB/A,SXE2,SXE4,SXE4/A,SXE8,SXE8/A,VAAE VAH2,VEB6,VHE,VH22,VH22/A,VMQ,VMT,VMT/A,VNG2,VS5,VS6,VS7,VWA,VWA2 VWE,VWE2,VWE2/A,VWS2,VWS2/A,VXE,VXE/A,VXEB,VXEB/A,VXE2,VXE2/A VXE4,VXE6,VXE7,VXE7/A,VXE8,VXE8/A,VXU1,VXU1/A,ZK1,ZK1/A |
| 11 | 31222-ZE3-791 | GEAR, REDUCTION | 1 | (4) | - | ----- | EDE2,EDE2/A,EDS,EDS1,EDS1/A,EDS2,EDS2/A,EDS3,EDS4,EDS5,EDS6 EDS6/A,EDT,EDT/A,ED7,ENT,ENT/A,ENT2,ES4,ES4/A,ETS,LHE,LHE/A,LKE LKE/A,LWD,LWD1,LWD1/A,LXE,LXE/A,LXE2,LXE2/A,LXE4,LXE4/A,LXE6,LXE8 LXE8/A,PXE8,PXE8/A,QAE,QAE2,QAE2/A,QAE6,QAE6/A,QAPE,QHE,QHE/A,QL2 QME0,QME0/A,QME8,QME8/A,QNE,QNE2,QNE2/A,QNE6,QNE9,QNE9/A,QNR2 QNR2/A,QNR6,QNR6/A,QN18,QPE2,QXE,QXE/A,QXEB,QXE2,QXE4,QXE4/A,QXE6 QXE6/A,QXE8,QXE8/A,SDE,SHE,SHEZ,SKE,SKE/A,SME0,SME0/A,SME2,STJ STJ/A,SXE,SXE/A,SXEB,SXEB/A,SXE2,SXE4,SXE4/A,SXE8,SXE8/A,VAAE VAH2,VEB6,VHE,VH22,VH22/A,VMQ,VMT,VMT/A,VNG2,VS5,VS6,VS7,VWA,VWA2 VWE,VWE2,VWE2/A,VWS2,VWS2/A,VXE,VXE/A,VXEB,VXEB/A,VXE2,VXE2/A VXE4,VXE6,VXE7,VXE7/A,VXE8,VXE8/A,VXU1,VXU1/A,ZK1,ZK1/A |
| 12 | 31231-ZE2-003 | HOLDER, BRUSH | 1 | (1) | - | ----- | EDE2,EDE2/A,EDS,EDS1,EDS1/A,EDS2,EDS2/A,EDS3,EDS4,EDS5,EDS6 EDS6/A,EDT,EDT/A,ED7,ENT,ENT/A,ENT2,ES4,ES4/A,ETS,LHE,LHE/A,LKE LKE/A,LWD,LWD1,LWD1/A,LXE,LXE/A,LXE2,LXE2/A,LXE4,LXE4/A,LXE6,LXE8 LXE8/A,PXE8,PXE8/A,QAE,QAE2,QAE2/A,QAE6,QAE6/A,QAPE,QHE,QHE/A,QL2 QME0,QME0/A,QME8,QME8/A,QNE,QNE2,QNE2/A,QNE6,QNE9,QNE9/A,QNR2 QNR2/A,QNR6,QNR6/A,QN18,QPE2,QXE,QXE/A,QXEB,QXE2,QXE4,QXE4/A,QXE6 QXE6/A,QXE8,QXE8/A,SDE,SHE,SHEZ,SKE,SKE/A,SME0,SME0/A,SME2,STJ STJ/A,SXE,SXE/A,SXEB,SXEB/A,SXE2,SXE4,SXE4/A,SXE8,SXE8/A,VAAE VAH2,VEB6,VHE,VH22,VH22/A,VMQ,VMT,VMT/A,VNG2,VS5,VS6,VS7,VWA,VWA2 VWE,VWE2,VWE2/A,VWS2,VWS2/A,VXE,VXE/A,VXEB,VXEB/A,VXE2,VXE2/A VXE4,VXE6,VXE7,VXE7/A,VXE8,VXE8/A,VXU1,VXU1/A,ZK1,ZK1/A |
| 13 | 31232-ZB7-003 | WIRE, WATER COVER | 1 | (1) | - | ----- | EDS5 |

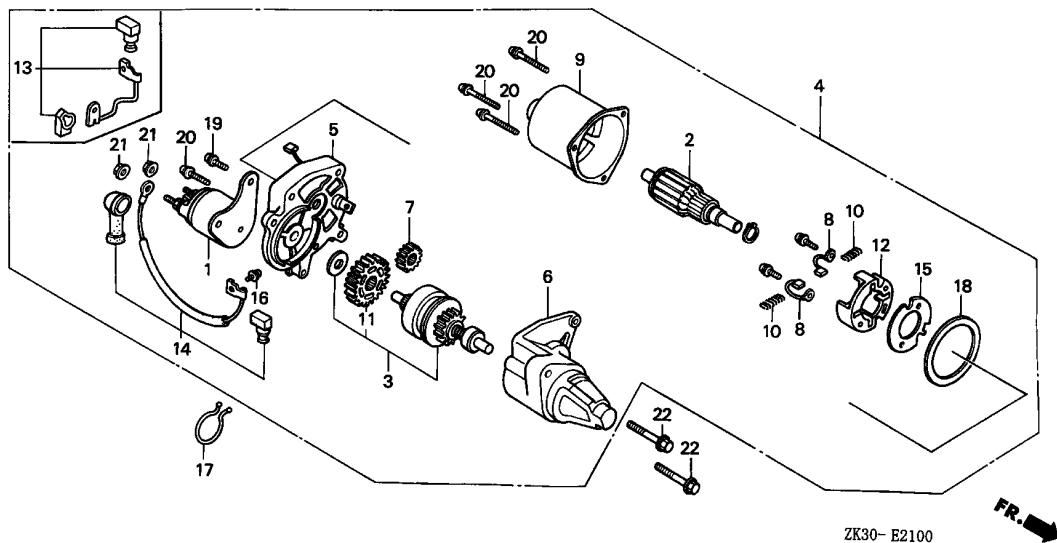




| Ref. No. | Part No. | Description | Reqd. QTY | | | Serial No. | Parts catalogue code |
|----------|---------------|-------------------------|-----------|-----|-----|------------|--|
| | | | GX | (1) | (2) | | |
| 14 | 31232-ZE3-003 | WIRE, WATER COVER | 1 | - | - | ----- | EDE2,EDE2/A,EDS,EDS1,EDS1/A,EDS2,EDS2/A,EDS3,EDS4,EDS6,EDS6/A,EDT,EDT/A,ED7,ENT,ENT/A,ENT2,ES4,ES4/A,ETS,LHE,LHE/A,LKE,LKE/A,LWD,LXE,LXE/A,LXE2,LXE2/A,LXE4,LXE4/A,LXE6,LXE8,LXE8/A,PXE8,PXE8/A,QAE,QAE2,QAE2/A,QAE6,QAE6/A,QAPE,QHE,QHE/A,QL2,QMEO,QMEO/A,QME8,QME8/A,QNE,QNE2,QNE2/A,QNE6,QNE9,QNE9/A,QNR2,QNR2/A,QNR6,QNR6/A,QN18,QPE2,QXE,QXE/A,QXEB,QXE2,QXE4,QXE4/A,QXE6,QXE6/A,QXE8,QXE8/A,SDE,SHE,SHEZ,SKE,SKE/A,SME0,SME0/A,SME2,STJ,STJ/A,SXE,SXE/A,SXEB,SXEB/A,SXE2,SXE4,SXE4/A,SXE8,SXE8/A,VAAE,VAH2,VEB6,VHE,VH22,VH22/A,VMQ,VMT,VMT/A,VNG2,VS5,VS6,VS7,VWA,VWA2,VWE,VWE2,VWE2/A,VWS2,VWS2/A,VXE,VXE/A,VXEB,VXEB/A,VXE2,VXE2/A,VXE4,VXE6,VXE7,VXE7/A,VXE8,VXE8/A,VXU1,VXU1/A,ZK1,ZK1/A |
| 15 | 31233-ZE2-003 | INSULATOR | 1 | (1) | - | ----- | EDE2,EDE2/A,EDS,EDS1,EDS1/A,EDS2,EDS2/A,EDS3,EDS4,EDS5,EDS6,EDS6/A,EDT,EDT/A,ED7,ENT,ENT/A,ENT2,ES4,ES4/A,ETS,LHE,LHE/A,LKE,LKE/A,LWD,LWD1,LWD1/A,LXE,LXE/A,LXE2,LXE2/A,LXE4,LXE4/A,LXE6,LXE8,LXE8/A,PXE8,PXE8/A,QAE,QAE2,QAE2/A,QAE6,QAE6/A,QAPE,QHE,QHE/A,QL2,QMEO,QMEO/A,QME8,QME8/A,QNE,QNE2,QNE2/A,QNE6,QNE9,QNE9/A,QNR2,QNR2/A,QNR6,QNR6/A,QN18,QPE2,QXE,QXE/A,QXEB,QXE2,QXE4,QXE4/A,QXE6,QXE6/A,QXE8,QXE8/A,SDE,SHE,SHEZ,SKE,SKE/A,SME0,SME0/A,SME2,STJ,STJ/A,SXE,SXE/A,SXEB,SXEB/A,SXE2,SXE4,SXE4/A,SXE8,SXE8/A,VAAE,VAH2,VEB6,VHE,VH22,VH22/A,VMQ,VMT,VMT/A,VNG2,VS5,VS6,VS7,VWA,VWA2,VWE,VWE2,VWE2/A,VWS2,VWS2/A,VXE,VXE/A,VXEB,VXEB/A,VXE2,VXE2/A,VXE4,VXE6,VXE7,VXE7/A,VXE8,VXE8/A,VXU1,VXU1/A,ZK1,ZK1/A |

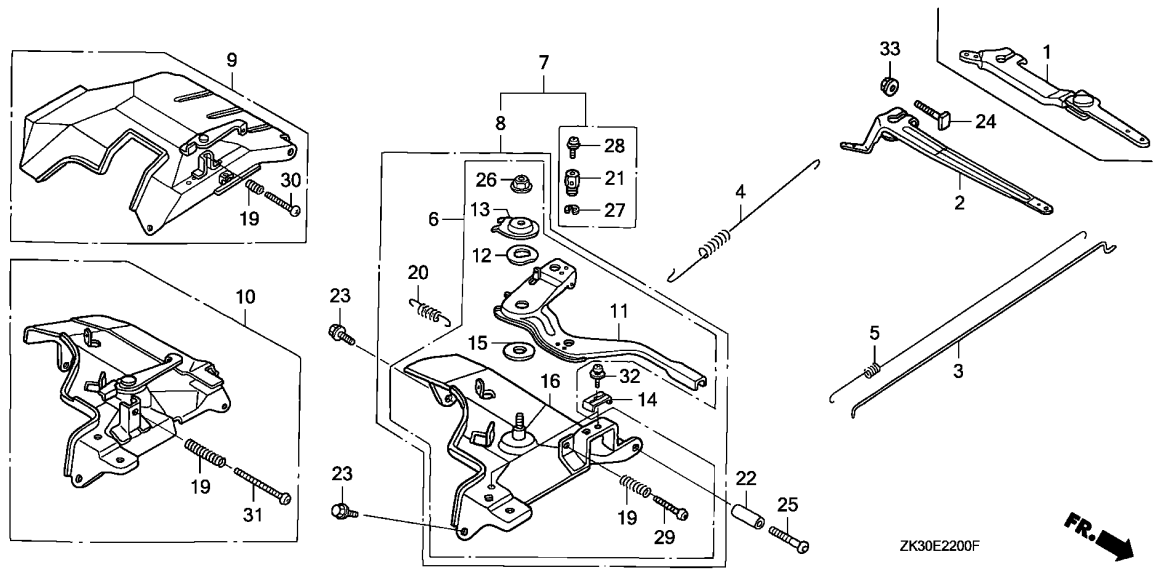
| Ref. No. | Part No. | Description | Reqd. QTY | | | Serial No. | Parts catalogue code |
|----------|----------------|--------------------------|-----------|-----|-----|------------|--|
| | | | (1) | (2) | (3) | | |
| 16 | 90110-ZE2-003 | SCREW-WASHER, 4X6 | 1 | - | - | | EDE2,EDE2/A,EDS,EDS1,EDS1/A,EDS2,EDS2/A,EDS3,EDS4,EDS5,EDS6,EDS6/A,EDT,EDT/A,ED7,ENT,ENT/A,ENT2,ES4,ES4/A,ETS,LHE,LHE/A,LKE,LKE/A,LWD,LXE,LXE/A,LXE2,LXE2/A,LXE4,LXE4/A,LXE6,LXE8,LXE8/A,PXE8,PXE8/A,QAE,QAE2,QAE2/A,QAE6,QAE6/A,QAPE,QHE,QHE/A,QL2,QMEO,QMEO/A,QME8,QME8/A,QNE,QNE2,QNE2/A,QNE6,QNE9,QNE9/A,QNR2,QNR2/A,QNR6,QNR6/A,QN18,QPE2,QXE,QXE/A,QXEB,QXE2,QXE4,QXE4/A,QXE6,QXE6/A,QXE8,QXE8/A,SDE,SHE,SHEZ,SKE,SKE/A,SME0,SME0/A,SME2,STJ,STJ/A,SXE,SXE/A,SXEB,SXEB/A,SXE2,SXE4,SXE4/A,SXE8,SXE8/A,VAAE,VAH2,VEB6,VHE,VH22,VH22/A,VMQ,VMT,VMT/A,VNG2,VS5,VS6,VS7,VWA,VWA2,VWE,VWE2,VWE2/A,VWS2,VWS2/A,VXE,VXE/A,VXEB,VXEB/A,VXE2,VXE2/A,VXE4,VXE6,VXE7,VXE7/A,VXE8,VXE8/A,VXU1,VXU1/A,ZK1,ZK1/A |
| 17 | 90630-751-000 | CLIP, PURSE LOCK | 1 | (1) | - | | EDS,EDS3,EDS5,LXE4,LXE4/A,PXE8,PXE8/A,QMEO,QMEO/A,QME8,QME8/A,QXE4,QXE4/A,SDE,SKE,SKE/A,SME0,SME0/A,SXE4,SXE4/A,VXE4 |
| 18 | 91601-ZE2-003 | PACKING | 1 | - | - | 3400701 | EDS1,EDS2,EDS6,EDT,ENT EDE2,EDE2/A,EDS,EDS1,EDS1/A,EDS2,EDS2/A,EDS3,EDS4,EDS5,EDS6,EDS6/A,EDT,EDT/A,ED7,ENT,ENT/A,ENT2,ES4,ES4/A,ETS,LHE,LHE/A,LKE,LKE/A,LWD,LWD1,LWD1/A,LXE,LXE/A,LXE2,LXE2/A,LXE4,LXE4/A,LXE6,LXE8,LXE8/A,PXE8,PXE8/A,QAE,QAE2,QAE2/A,QAE6,QAE6/A,QAPE,QHE,QHE/A,QL2,QMEO,QMEO/A,QME8,QME8/A,QNE,QNE2,QNE2/A,QNE6,QNE9,QNE9/A,QNR2,QNR2/A,QNR6,QNR6/A,QN18,QPE2,QXE,QXE/A,QXEB,QXE2,QXE4,QXE4/A,QXE6,QXE6/A,QXE8,QXE8/A,SDE,SHE,SHEZ,SKE,SKE/A,SME0,SME0/A,SME2,STJ,STJ/A,SXE,SXE/A,SXEB,SXEB/A,SXE2,SXE4,SXE4/A,SXE8,SXE8/A,VAAE,VAH2,VEB6,VHE,VH22,VH22/A,VMQ,VMT,VMT/A,VNG2,VS5,VS6,VS7,VWA,VWA2,VWE,VWE2,VWE2/A,VWS2,VWS2/A,VXE,VXE/A,VXEB,VXEB/A,VXE2,VXE2/A,VXE4,VXE6,VXE7,VXE7/A,VXE8,VXE8/A,VXU1,VXU1/A,ZK1,ZK1/A |
| 19 | 93892-05014-18 | SCREW-WASHER, 5X14 | 2 | (1) | (2) | 2630806 | EDE2,EDS,EDS1,EDS3,EDS5,ED7,ES4,ETS,LHE,LKE,LXE,LXE2,LXE4,LXE6,L1,P1,QAE,QAE2,QAE6,QAPE,QHE,QMEO,QNE,QNE2,QNE6,QNE9,QNR2,QNR6,QN18,QPE2,QXE,QXEB,QXE2,QXE4,QXE6,Q1,SDE,SHE,SHEZ,SME0,SME2,STJ,SXESXEB,SXE2,SXE4,S1,VAAE,VAH2,VEB6,VHE,VH22,VNG2,VWA,VWA2,VWE2,VWS2,VXE,VXEB,VXE2,VXE4,VXE6,VXU1,V1,ZK1 |
| | 90007-ZE2-003 | BOLT-WASHER, 5X14 | 2 | (2) | - | | EDE2/A,EDS1/A,EDS2,EDS2/A,EDS4,EDS6,EDS6/A,EDT,EDT/A,ENT,ENT/A,ENT2,ES4/A,LHE/A,LKE/A,LWD,LXE/A,LXE2/A,LXE4/A,LXE8,LXE8/A,L1/A,PXE8,PXE8/A,P1/A,QAE2/A,QAE6/A,QHE/A,QL2,QMEO/A,QME8,QME8/A,QNE2/A,QNE9/A,QNR2/A,QNR6/A,QXE/A,QXE4/A,QXE6/A,QXE8,QXE8/A,Q1/A,SKE,SKE/A,SME0/A,STJ/A,SXE/A,SXEB/A,SXE4/A,SXE8,SXE8/A,S1/A,VH22/A,VMQ,VMT,VMT/A,VS5,VS6,VS7,VWE,VWE2/A,VWS2/A,VXE/A,VXEB/A,VXE2/A,VXE7,VXE7/A,VXE8,VXE8/A,VXU1/A,ZK1/A |
| | | | 2 | (2) | - | 2630807 | EDE2,EDS,EDS1,EDS3,EDS5,ED7,ES4,ETS,LHE,LKE,LXE,LXE2,LXE4,LXE6,L1,P1,QAE,QAE2,QAE6,QAPE,QHE,QMEO,QNE,QNE2,QNE6,QNE9,QNR2,QNR6,QN18,QPE2,QXE,QXEB,QXE2,QXE4,QXE6,Q1,SDE,SHE,SHEZ,SME0,SME2,STJ,SXESXEB,SXE2,SXE4,S1,VAAE,VAH2,VEB6,VHE,VH22,VNG2,VWA,VWA2,VWE2,VWS2,VXE,VXEB,VXE2,VXE4,VXE6,VXU1,V1,ZK1 |
| 20 | 93892-05032-18 | SCREW-WASHER, 5X32 | 4 | - | - | | EDE2,EDE2/A,EDS,EDS1,EDS1/A,EDS2,EDS2/A,EDS3,EDS4,EDS5,EDS6,EDS6/A,EDT,EDT/A,ED7,ENT,ENT/A,ENT2,ES4,ES4/A,ETS,LHE,LHE/A,LKE,LKE/A,LWD,LWD1,LWD1/A,LXE,LXE/A,LXE2,LXE2/A,LXE4,LXE4/A,LXE6,LXE8,LXE8/A,PXE8,PXE8/A,QAE,QAE2,QAE2/A,QAE6,QAE6/A,QAPE,QHE,QHE/A,QL2,QMEO,QMEO/A,QME8,QME8/A,QNE,QNE2,QNE2/A,QNE6,QNE9,QNE9/A,QNR2,QNR2/A,QNR6,QNR6/A,QN18,QPE2,QXE,QXE/A,QXEB,QXE2,QXE4,QXE4/A,QXE6,QXE6/A,QXE8,QXE8/A,SDE,SHE,SHEZ,SKE,SKE/A,SME0,SME0/A,SME2,STJ,STJ/A,SXE,SXE/A,SXEB,SXEB/A,SXE2,SXE4,SXE4/A,SXE8,SXE8/A,VAAE,VAH2,VEB6,VHE,VH22,VH22/A,VMQ,VMT,VMT/A,VNG2,VS5,VS6,VS7,VWA,VWA2,VWE,VWE2,VWE2/A,VWS2,VWS2/A,VXE,VXE/A,VXEB,VXEB/A,VXE2,VXE2/A,VXE4,VXE6,VXE7,VXE7/A,VXE8,VXE8/A,VXU1,VXU1/A,ZK1,ZK1/A |
| | | | - | (4) | - | | |





| Ref. No. | Part No. | Description | Reqd. QTY | | | Serial No. | Parts catalogue code |
|----------|----------------|--------------------------|-----------|-----|-----|------------|--|
| | | | GX | (1) | (2) | | |
| 21 | 94070-06080 | NUT-WASHER, 6MM | 2 | - | - | ----- | EDE2,EDE2/A,EDS,EDS1,EDS1/A,EDS2,EDS2/A,EDS3,EDS4,EDS5,EDS6 EDS6/A,EDT,EDT/A,ED7,ENT,ENT/A,ENT2,ES4,ES4/A,ETS,LHE,LHE/A,LKE LKE/A,LWD,LXE,LXE/A,LXE2,LXE2/A,LXE4,LXE4/A,LXE6,LXE8,LXE8/A,PXE8 PXE8/A,QAE,QAE2,QAE2/A,QAE6,QAE6/A,QAPE,QHE,QHE/A,QL2,QMEO,QMEO/A QME8,QME8/A,QNE,QNE2,QNE2/A,QNE6,QNE9,QNE9/A,QNR2,QNR2/A,QNR6 QNR6/A,QN18,QPE2,QXE,QXE/A,QXEB,QXE2,QXE4,QXE4/A,QXE6,QXE6/A,QXE8 QXE8/A,SDE,SHE,SHEZ,SKE,SKE/A,SME0,SME0/A,SME2,STJ,STJ/A,SXE SXE/A,SXEB,SXEB/A,SXE2,SXE4,SXE4/A,SXE8,SXE8/A,VAAE,VAH2,VEB6,VHE VH22,VH22/A,VMQ,VMT,VMT/A,VNG2,VS5,VS6,VS7,VWA,VWA2,VWE,VWE2 VWE2/A,VWS2,VWS2/A,VXE,VXE/A,VXEB,VXEB/A,VXE2,VXE2/A,VXE4,VXE6 VXE7,VXE7/A,VXE8,VXE8/A,VXU1,VXU1/A,ZK1,ZK1/A |
| 22 | 95701-08035-08 | BOLT, FLANGE, 8X35 | 2 | (2) | - | ----- | EDE2,EDE2/A,EDS,EDS1,EDS1/A,EDS2,EDS2/A,EDS3,EDS4,EDS5,EDS6 EDS6/A,EDT,EDT/A,ED7,ENT,ENT/A,ENT2,ES4,ES4/A,ETS,LHE,LHE/A,LKE LKE/A,LWD,LWD1,LWD1/A,LXE,LXE/A,LXE2,LXE2/A,LXE4,LXE4/A,LXE6,LXE8 LXE8/A,PXE8,PXE8/A,QAE,QAE2,QAE2/A,QAE6,QAE6/A,QAPE,QHE,QHE/A,QL2 QMEO,QMEO/A,QME8,QME8/A,QNE,QNE2,QNE2/A,QNE6,QNE9,QNE9/A,QNR2 QNR2/A,QNR6,QNR6/A,QN18,QPE2,QXE,QXE/A,QXEB,QXE2,QXE4,QXE4/A,QXE6 QXE6/A,QXE8,QXE8/A,SDE,SHE,SHEZ,SKE,SKE/A,SME0,SME0/A,SME2,STJ STJ/A,SXE,SXE/A,SXEB,SXEB/A,SXE2,SXE4,SXE4/A,SXE8,SXE8/A,VAAE VAH2,VEB6,VHE,VH22,VH22/A,VMQ,VMT,VMT/A,VNG2,VS5,VS6,VS7,VWA,VWA2 VWE,VWE2,VWE2/A,VWS2,VWS2/A,VXE,VXE/A,VXEB,VXEB/A,VXE2,VXE2/A VXE4,VXE6,VXE7,VXE7/A,VXE8,VXE8/A,VXU1,VXU1/A,ZK1,ZK1/A |

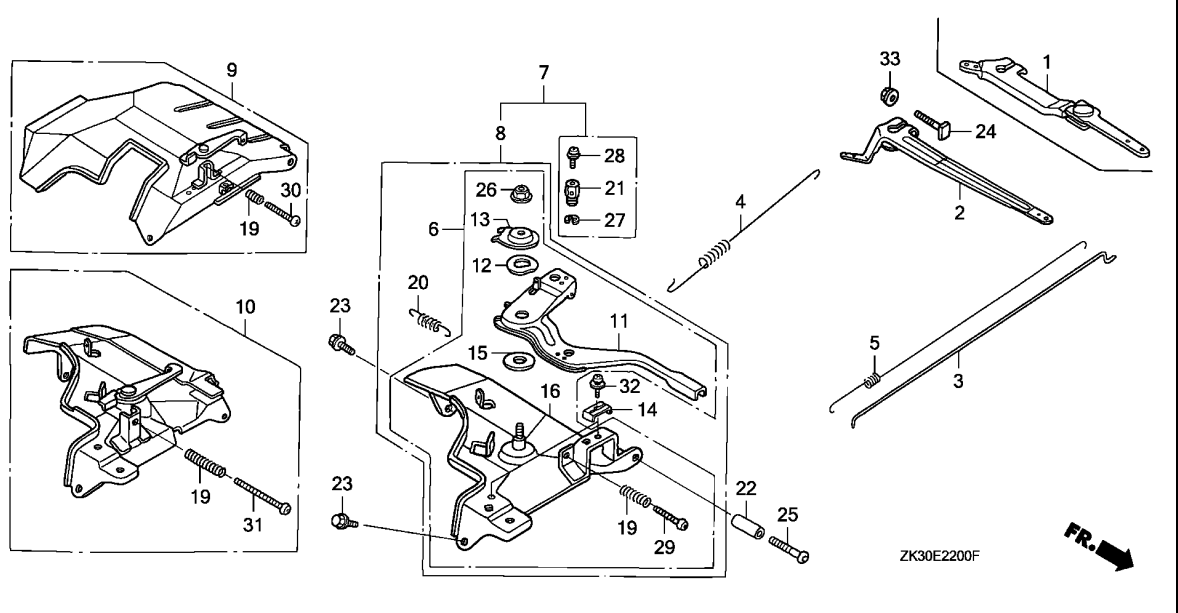
2



| Ref. No. | L.O.N. | (Relative ref. Number) Description | F.R.T. |
|----------|--------|------------------------------------|--------|
| 2 | | (1) | |
| 2 | 1161A0 | ARM, GOVERNOR | 0.2 |
| 3 | 1161B1 | ROD, GOVERNOR | 0.3 |
| 4 | 1161C5 | SPRING, GOVERNOR | 0.2 |
| 5 | 1161C2 | SPRING, THROTTLE RETURN | 0.3 |
| 7 | | (9,10) | |
| | 1161A5 | CONTROL, THROTTLE/GOVERNOR ... | 0.2 |
| 11 | 1161A8 | LEVER, CONTROL | 0.3 |
| 16 | 1161A2 | BASE, CONTROL | 0.3 |
| 20 | 1161B7 | SPRING, CABLE RETURN | 0.1 |

| Ref. No. | Part No. | Description | Reqd. QTY | | | Serial No. | Parts catalogue code |
|----------|---------------|---------------------------|-----------|-----|-----|------------|---|
| | | | GX 340K1 | (1) | (2) | | |
| 1 | 16550-ZE3-700 | ARM COMP., GOVERNOR | 1 | - | - | ----- | EDE2,EDE2/A,EDN,EDN2,EDN2/A,EDS,EDS3,EDS4,EDS5,EDS6,EDS6/A,EDT3,EDT6,EDT6/A,ED6/A,EMT,EMT/A,ENT2,EN6,EN6/A,VAH1,VAH2,VC2,VC2/A,VH12,VH12/A,VH22,VH22/A,VMQ,VMT,VMT/A,VWA,VWA2,VWC,VVE |
| 2 | 16551-ZE3-000 | ARM, GOVERNOR | 1 | - | - | 2374606 | ED6 |
| | | | 1 | - | - | ----- | EDK,EDN5,EDN5/A,ED7,ED8,ED8/A,ED9,ED9/A,EN,ES,ES1,ES1/A,ES2,ES3,ES3/A,ES4,ES4/A,ET,ETS,ETX,HA,HAQ,HA2,HA2/A,HH,HX,HX2,HX26,HX26/A,LH,LH/A,LHB1,LHB3,LHB3/A,LHB5,LHC,LHE,LHE/A,LHQ4,LHQ4/A,LHW,LJS,LJS/A,LJS1,LKE,LKE/A,LT,LT/A,LWD,LX,LX/A,LXE,LXE/A,LXE2,LXE2/A,LXE4,LXE4/A,LXE6,LXE8,LXE8/A,LXQ4,LXQ4/A,LXU,LXU/A,LX2,LX2/A,LX26,LX26/A,PKT2,PKT2/A,PKT4,PKT4/A,PKX2,PKX4,PKX4/A,PX,PX/A,PXA2,PXE8,PXE8/A,QA,QAE,QAE2,QAE2/A,QAE6,QAE6/A,QAP,QAPE,QAP2,QAP2/A,QAQ,QA2,QA2/A,QA26,QA26/A,QDW9,QDW9/A,QE,QE/A,QH,QH/A,QHB3,QHB3/A,QHB5,QHC,QHE,QHE/A,QHP1,QHP1/A,QHQ4,QHQ4/A,QH2,QKA4,QKA4/A,QMEO,QMEO/A,QME8,QME8/A,QMH,QMH/A,QMT2,QMT2/A,QNE,QNE2,QNE2/A,QNE6,QNE9,QNE9/A,QNR2,QNR2/A,QNR6,QNR6/A,QN18,QP,QP/A,QPE2,QT,QT/A,QTC2,QTC2/A,QX,QX/A,QXB,QXB/A,QXB7,QXB7/A,QXC,QXC/A,QXC4,QXC4/A,QXC6,QXC6/A,QXC9,QXC9/A,QXE,QXE/A,QXEB,QXE2,QXE4,QXE4/A,QXE6,QXE6/A,QXE8,QXE8/A,QXQ4,QXQ4/A,QXU,QXU/A,QX2,SE,SE/A,SH,SH/A,SHB1,SHB3,SHB3/A,SHE,SHEZ,SHQ4,SHQ4/A,SHT,SME0,SME0/A,SME2,SMX2,SMX2/A,SWX,SWX/A,SX,SX/A,SXB,SXB/A,SXB7,SXB7/A,SXE,SXE/A,SXEB,SXEB/A,SXE2,SXE4,SXE4/A,SXE8,SXE8/A,SXP,SXQ4,SXQ4/A,SXU,SXU/A,VA,VA,VAA,VAE,VAD2,VAD2/A,VAW1,VA2,VA2/A,VDE,VDE2,VDE2/A,VD16,VE,VEB6,VH,VHE,VMX,VNG,VNG1,VNG2,VSH7,VS2,VS3,VS4,VS5,VS6,VS7,VTE2,VWC2,VWC2/A,VWE2,VWE2/A,VWS2,VWS2/A,VW12,VW12/A,VX,VX/A,VXA,VXB,VXB/A,VXB2,VXB7,VXB7/A,VXE,VXE/A,VXEB,VXEB/A,VXE2,VXE2/A,VXE4,VXE6,VXE7,VXE7/A,VXE8,VXE8/A,VXG,VXK,VXQ4,VXQ4/A,VXU,VXU/A,VXU1,VXU1/A,VX16,VX16/A,VX8,VX8/A |
| | | | 1 | - | - | 2374605 | ED6 |
| | | | - | 1 | 1 | | |

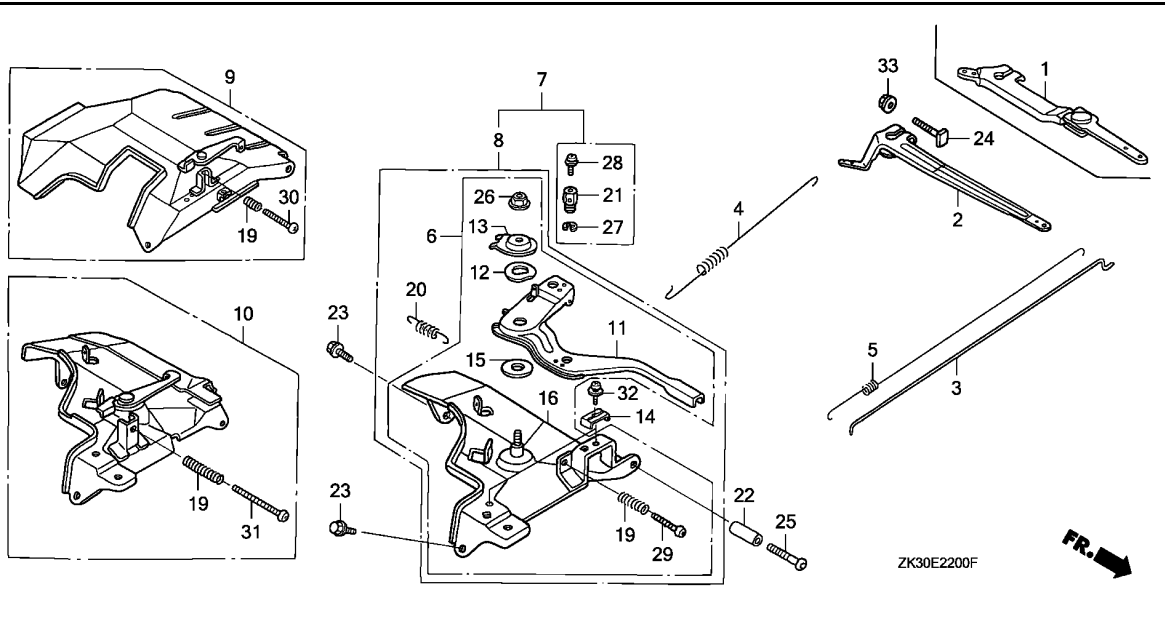




| Ref. No. | Part No. | Description | Reqd. QTY | | | Serial No. | Parts catalogue code | | | | |
|----------|---------------|---------------------|-----------|-------|-----|------------|--|--|--|--|--|
| | | | GX | 340K1 | | | | | | | |
| | | | (1) | (2) | (3) | | | | | | |
| 3 | 16555-ZE3-000 | ROD, GOVERNOR | 1 | 1 | - | 2117541 | EN,ES,ES1,ES3,ET,ETS,ETX,HA,HH,HX,LHC,LX,LXZ,L1,P1,QA,QAE,QAP QAPE,QHC,QNE,QP,QT,QXC,QXEB,Q1,SHE,SHEZ,SWX,SXP,S1,VA,VAA,VAE,VE VH,VHE,VNG,VNG1,VNG2,VX,VXA,VXB,VXE,VXEB,V1 EDE2,EDE2/A,EDK,EDN,EDN2,EDN2/A,EDN5,EDN5/A,EDS,EDS3,EDS4,EDS5 EDS6,EDS6/A,EDT3,EDT6,EDT6/A,ED6,ED6/A,ED8/A,ED9/A,EMT,EMT/A,ENT2 EN6,EN6/A,ES2,ES4,ES4/A,HA2,HA2/A,HX2,HX26,HX26/A,LH/A,LHB3/A LHB5,LHE/A,LHQ4/A,LJS,LJS/A,LJS1,LKE/A,LWD,LXE/A,LXE2,LXE2/A LXE4/A,LXE6,LXE8/A,LXQ4/A,LXU/A,LX2,LX2/A,LX26,LX26/A,PKT2/A PKT4,PKT4/A,PKX2,PKX4/A,PX/A,QAE2,QAE2/A,QAE6,QAE6/A,QAP2,QAP2/A QA2,QA2/A,QA26,QA26/A,QDW9,QDW9/A,QE/A,QH/A,QHB3/A,QHB5,QHE/A QHP1/A,QHQ4/A,QH2,QMEO/A,QMH/A,QMT2,QMT2/A,QNE2,QNE2/A,QNE6 QNE9/A,QNR2,QNR2/A,QNR6,QNR6/A,QPE2,QTC2,QTC2/A,QX/A,QXB/A,QXB7 QXB7/A,QXC6,QXC6/A,QXC9,QXC9/A,QXE/A,QXE2,QXE4/A,QXE6,QXE6/A QXE8/A,QXQ4/A,QXU/A,QX2,SE/A,SH/A,SHB3/A,SHQ4/A,SME0/A,SME2,SMX2 SMX2/A,SX/A,SXB/A,SXB7,SXB7/A,SXE/A,SXEB/A,SXE2,SXE4/A,SXE8/A SXQ4/A,SXU/A,VAD2,VAD2/A,VA2,VA2/A,VC2,VC2/A,VDE2,VDE2/A,VH12 VH12/A,VH22,VH22/A,VMQ,VMT,VMT/A,VMX,VSH7,VS2,VS3,VS4,VS5,VS6,VS7 VTE2,VWA2,VWC,VWC2,VWC2/A,VWE,VWE2,VWE2/A,VWS2,VWS2/A,VW12,VW12/A VXB2,VXB7,VXB7/A,VXE2,VXE2/A,VXE6,VXE7,VXE7/A,VXE8,VXE8/A,VXK VXQ4/A,VXU/A,VXU1/A,VX16/A,VX8,VX8/A | | | | |
| | | | 1 | - | - | 2240293 | HAQ,QAQ,QNE9 | | | | |
| | | | 1 | - | - | 2589544 | ED7,ED8,ED9,VD16,VEB6,VXE4,VXG,VXQ4,VXU,VXU1,VX16 | | | | |
| | | | 1 | - | - | 3032024 | LH,LHB3,LHE,LHQ4,LKE,LXE,LXE4,LXE8,LXQ4,LXU,PX,QE,QH,QHB3,QHE QHP1,QHQ4,QMEO,QMH,QN18,QX,QXB,QXE,QXE4,QXE8,QXQ4,QXU,SE,SH,SHB1 SHB3,SHQ4,SME0,SX,SXB,SXE,SXEB,SXE4,SXE8,SXQ4,SXU | | | | |
| | | | 1 | - | - | 3129574 | PKX4 | | | | |

| Ref. No. | Part No. | Description | Reqd. QTY | | | Serial No. | Parts catalogue code | |
|---------------|---------------|----------------------------|-----------|-----|-----|------------|---|---|
| | | | (1) | (2) | (3) | | | |
| (3) | 16555-ZE3-W00 | ROD, GOVERNOR (STD.) | 1 | 1 | - | ----- | ES1/A,ES3/A,LHB1,LHW,LT,LT/A,LX/A,L1/A,PXA2,PXE8,PXE8/A,P1/A,QKA4 | |
| | | | 1 | 1 | - | 2117542 | ----- | QKA4/A,QME8,QME8/A,QP/A,QT/A,QXC/A,QXC4,QXC4/A,Q1/A,SHT,SWX/A |
| | | | 1 | - | - | 2240292 | ----- | S1/A,VAH1,VAH2,VAW1,VDE,VWA,VX/A,VXB/A,VXB2,VXE/A,VXEB/A |
| | | | 1 | - | - | 2589543 | ----- | EN,ES,ES1,ES3,ET,ETS,ETX,HA,HH,HX,LHC,LX,LXZ,L1,P1,QA,QAE,QAP |
| | | | 1 | - | - | 3032023 | ----- | QAPE,QHC,QNE,QP,QT,QXC,QXEB,Q1,SHE,SHEZ,SWX,SXP,S1,VA,VAA,VAAE,VE |
| | | | 1 | - | - | 3129573 | ----- | VH,VHE,VNG,VNG1,VNG2,VX,VXA,VXB,VXE,VXEB,V1 |
| 4 | 16561-ZE3-000 | SPRING, GOVERNOR | 1 | - | - | ----- | HAQ,QAQ,QNE9 | |
| | | | 1 | - | - | ----- | ED7,ED8,ED9,VD16,VEB6,VXE4,VXG,VXQ4,VXU,VXU1,VX16 | |
| | | | 1 | - | - | ----- | LH,LHB3,LHE,LHQ4,LKE,LXE,LXE4,LXE8,LXQ4,LXU,PX,QE,QH,QHB3,QHE | |
| | | | 1 | - | - | ----- | QHP1,QHQ4,QMEO,QMH,QN18,QX,QXB,QXE,QXE4,QXE8,QXQ4,QXU,SE,SH,SHB1 | |
| | | | 1 | - | - | ----- | SHB3,SHQ4,SME0,SX,SXB,SXE,SXEB,SXE4,SXE8,SXQ4,SXU | |
| | | | 1 | - | - | ----- | PKX4 | |
| 16561-ZE3-710 | | | 1 | - | - | ----- | EDE2,EDE2/A,EDN,EDN2,EDN2/A,EDS,EDS3,EDS4,EDS5,EDS6,EDS6/A,EDT3 | |
| | | | 1 | 1 | 1 | ----- | EDT6,EDT6/A,ED6,ED6/A,EMT,EMT/A,ENT2,EN6,EN6/A,ES3,ES3/A,ES4 | |
| | | | 1 | - | - | ----- | ES4/A,HA,HAQ,HA2,HA2/A,HH,HX,HX2,HX26,HX26/A,LH,LH/A,LHB1,LHB3 | |
| | | | 1 | - | - | ----- | LHB3/A,LHB5,LHC,LHE,LHE/A,LHQ4,LHQ4/A,LHW,LJS,LJS/A,LJS1,LKE | |
| | | | 1 | - | - | ----- | LKE/A,LT,LT/A,LWD,LX,LX/A,LXE,LXE/A,LXE2,LXE2/A,LXE4,LXE4/A,LXE6 | |
| | | | 1 | - | - | ----- | LXE8,LXE8/A,LXQ4,LXQ4/A,LXU,LXU/A,LXZ,LX2,LX2/A,LX26,LX26/A,PKT2 | |

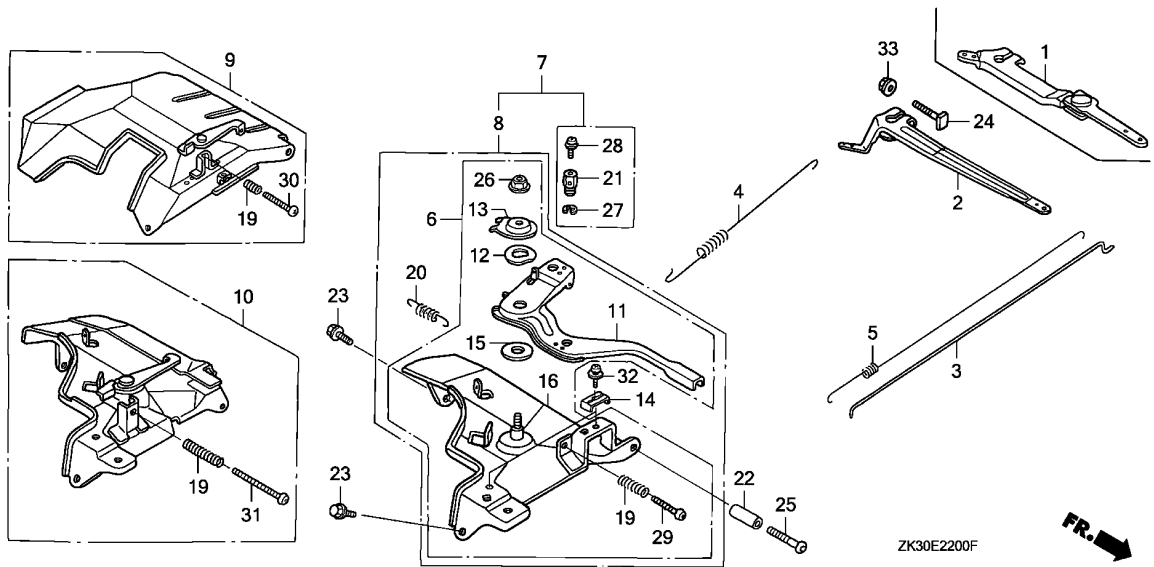




| Ref. No. | Part No. | Description | Reqd. QTY | | | Serial No. | Parts catalogue code | | | | | | |
|----------|---------------|-------------------------------|-----------|-------|-----|------------|--|---|---|---|-------|---------|-----|
| | | | GX | 340K1 | | | | | | | | | |
| | | | (1) | (2) | (3) | | | | | | | | |
| 5 | 16562-ZE3-000 | SPRING, THROTTLE RETURN | 1 | - | - | ----- | EDK,EDN5,EDN5/A,ED7,ED8,ED8/A,ED9,ED9/A,EN,ES,ES1,ES1/A,ES2,ES3,ES3/A,ES4,ES4/A,ET,ETS,ETX,HA,HAQ,HA2,HA2/A,HH,HX,HX2,HX26,HX26/A,LH,LH/A,LHB1,LHB3,LHB3/A,LHB5,LHC,LHE,LHE/A,LHQ4,LHQ4/A,LHW,LJS,LJS/A,LJS1,LKE,LKE/A,LT,LT/A,LWD,LX,LX/A,LXE,LXE/A,LXE2,LXE2/A,LXE4,LXE4/A,LXE6,LXE8,LXE8/A,LXQ4,LXQ4/A,LXU,LXU/A,LX2,LX2,A,LX26,LX26/A,PKT2,PKT2/A,PKT4,PKT4/A,PKX2,PKX4,PKX4/A,PX,PX/A,PKA2,PXE8,PXE8/A,QA,QAE,QAE2,QAE2/A,QAE6,QAE6/A,QAP,QAPE,QAP2,QAP2/A,QAQ,QA2,QA2/A,QA26,QA26/A,QDW9,QDW9/A,QE,QE/A,QH,QH/A,QHB3,QHB3/A,QHB5,QHC,QHE,QHE/A,QHP1,QHP1/A,QHQ4,QHQ4/A,QH2,QKA4,QKA4/A,QMEO,QMEO/A,QME8,QME8/A,QMH,QMH/A,QMT2,QMT2/A,QNE,QNE2,QNE2/A,QNE6,QNE9,QNE9/A,QNR2,QNR2/A,QNR6,QNR6/A,QN18,QP,QP/A,QPE2,QT,QT/A,QTC2,QTC2/A,QX,QX/A,QXB,QXB/A,QXB7,QXB7/A,QXC,QXC/A,QXC4,QXC4/A,QXC6,QXC6/A,QXC9,QXC9/A,QXE,QXE/A,QXEB,QXE2,QXE4,QXE4/A,QXE6,QXE6/A,QXE8,QXE8/A,QXQ4,QXQ4/A,QXU,QXU/A,QX2,SE,SE/A,SH,SH/A,SHB1,SHB3,SHB3/A,SHE,SHEZ,SHQ4,SHQ4/A,SHT,SME0,SME0/A,SME2,SMX2,SMX2/A,SWX,SWX/A,SX,SX/A,SXB,SXB/A,SXB7,SXB7/A,SXE,SXE/A,SXEB,SXEB/A,SXE2,SXE4,SXE4/A,SXE8,SXE8/A,SXP,SXQ4,SXQ4/A,VA,VAE,VAE,VAE/A,VAD2,VAD2/A,VAW1,VA2,VA2/A,VDE,VDE2,VDE2/A,VD16,VE,VEB6,VH,VHE,VMX,VNG,VNG1,VNG2,VSH7,VS2,VS3,VS4,VS5,VS6,VS7,VTE2,VWC2,VWC2/A,VWE2,VWE2/A,VWS2,VWS2/A,VW12,VW12/A,VX,VX/A,VXA,VXB,VXB/A,VXB2,VXB7,VXB7/A,VXE,VXE/A,VXEB,VXEB/A,VXE2,VXE2/A,VXE4,VXE6,VXE7,VXE7/A,VXE8,VXE8/A,VXG,VXK,VXQ4,VXQ4/A,VXU,VXU/A,VXU1,VXU1/A,VX16,VX16/A,VX8,VX8/A | 1 | - | - | ----- | 2374605 | ED6 |
| | 16562-ZE3-700 | | 1 | - | - | ----- | EDE2,EDE2/A,EDN,EDN2,EDN2/A,EDS,EDS3,EDS4,EDS5,EDS6,EDS6/A,EDT3,EDT6,EDT6/A,ED6/A,EMT,EMT/A,ENT2,EN6,EN6/A,VAH1,VAH2,VC2,VC2/A,VH12,VH12/A,VH22,VH22/A,VMQ,VMT,VMT/A,VWA,VWA2,VWC,VWE | 1 | - | - | ----- | 2374606 | ED6 |

| Ref. No. | Part No. | Description | Reqd. QTY | | | Serial No. | Parts catalogue code |
|----------|---------------|---------------------------------|-----------|-----|-----|---|----------------------|
| | | | (1) | (2) | (3) | | |
| 6 | 16570-ZE3-W00 | CONTROL ASSY. (STD.) | 1 | - | - | PKT2,PKT2/A,PKT4,PKT4/A,PKX2,PKX4,PKX4/A,PXA2,VAA,VAE,VDE,VDE2,VDE2/A,VD16,VE,VEB6,VH,VHE,VMX,VX,VX/A,VXA,VXB,VXB/A,VXB2,VXE,VXE/A,VXEB,VXEB/A,VXE2,VXE2/A,VXE4,VXE6,VXQ4,VXQ4/A,VX16,VX16/A | |
| | | | 1 | - | - | 2540276 VAH2,VH22 | |
| | 16570-ZE3-W30 | CONTROL ASSY. (REMOTE) | - | (1) | 1 | | |
| | | | 1 | - | - | VAD2,VAD2/A,VNG,VNG1,VNG2 | |
| | 16570-ZK3-870 | CONTROL ASSY. | 1 | - | - | VXB7,VXB7/A,VXE7,VXE7/A | |
| 7 | 16570-ZE3-W10 | CONTROL ASSY. (REMOTE) | 1 | - | - | LHW,LT,LT/A,LWD,QAP,QAP2,QAP2/A,QDW9,QDW9/A,QKA4,QKA4/A,QPE2,QTC2,QTC2/A,SME2,SMX2,SMX2/A,SXP | |
| | | | 1 | - | - | 2084185 QAPE | |
| | 16570-ZE3-W40 | CONTROL ASSY. (REMOTE) (W/PLUG) | 1 | - | - | LJS,LJS/A,LJS1,LKE,LKE/A | |
| | | | 1 | - | - | 2084184 QAPE | |
| 8 | 16570-ZE3-W20 | CONTROL ASSY. (REMOTE) | 1 | - | - | HA,HAQ,HA2,HA2/A,HH,HX,HX2,HX26,HX26/A,LH,LH/A,LHB1,LHB3,LHB3/A,LHB5,LHC,LHE,LHE/A,LHQ4,LHQ4/A,LX,LX/A,LXE,LXE/A,LXE2,LXE2/A,LXE4,LXE4/A,LXE6,LXE8,LXE8/A,LXQ4,LXQ4/A,LXU,LXU/A,LXZ,LXZ/A,LX26,LX26/A,PX,PX/A,PXE8,PXE8/A,QA,QAE,QAE2,QAE2/A,QAE6,QAE6/A,QAQ,QA2,QA2/A,QA26,QA26/A,QE,QE/A,QH,QH/A,QHB3,QHB3/A,QHB5,QHC,QHE,QHE/A,QHP1,QHP1/A,QHQ4,QHQ4/A,QH2,QMEO,QMEO/A,QME8,QME8/A,QMH,QMH/A,QMT2,QMT2/A,QNE,QNE2,QNE2/A,QNE6,QNE9,QNE9/A,QNR2,QNR2/A,QNR6,QNR6/A,QN18,QP,QP/A,QT,QT/A,QX,QX/A,QXB,QXB/A,QXB7,QXB7/A,QXC,QXC/A,QXC4,QXC4/A,QXC6,QXC6/A,QXC9,QXC9/A,QXE,QXE/A,QXE6,QXE6/A,QXE8,QXE8/A,QXQ4,QXQ4/A,QXU,QXU/A,QX2,SE,SE/A,SH,SH/A,SHB1,SHB3,SHB3/A,SHE,SHE2,SHQ4,SHQ4/A,SHT,SMEO,SMEO/A,SWX,SWX/A,SX,SX/A,SXB,SXB/A,SXB7,SXB7/A,SXE,SXE/A,SXEB,SXEB/A,SXE2,SXE4,SXE4/A,SXE8,SXE8/A,SXQ4,SXQ4/A,SXU,SXU/A,VA,VA2,VA2/A | |
| | | | 1 | - | - | 2540276 VAH1,VH12 | |
| 9 | 16570-ZE3-700 | CONTROL ASSY. | 1 | - | - | EDE2,EDE2/A,EDN,EDN2,EDN2/A,EDS,EDS3,EDS4,EDS6,EDS6/A,EDT3,EDT6,EDT6/A,ED6,ED6/A,ENT2,EN6,EN6/A,ES3,ES3/A,ES4,ES4/A,VS2,VS3,VS4,VS5,VS6,VS7,VTE2,VWC,VWE | |
| | 16570-ZE3-710 | CONTROL ASSY. | 1 | - | - | EMT,EMT/A,VMQ,VMQ/A | |
| 10 | 16570-ZE3-721 | CONTROL ASSY. | 1 | - | - | EDK,EDN5,EDN5/A,ED7,ED8,ED8/A,ED9,ED9/A,EN,ES,ES1,ES1/A,ES2,ET,ETS,ETX,VAW1,VH12/A,VH22/A,VWA,VWA2,VWC2,VWC2/A,VWE2,VWE2/A,VWS2,VWS2/A,VW12,VW12/A,VXE8,VXE8/A,VXG,VXK,VXU,VXU/A,VXU1,VXU1/A,VX8/A | |
| | | | 1 | - | - | 2540277 VAH1,VAH2,VH12,VH22 | |
| | | | 1 | - | - | 3400223 VC2 | |
| | 16570-ZK3-S60 | CONTROL ASSY. | 1 | - | - | VC2/A | |
| | | | 1 | - | - | 3400224 VC2 | |
| | 16570-ZK3-D20 | CONTROL ASSY. | 1 | - | - | VSH7 | |



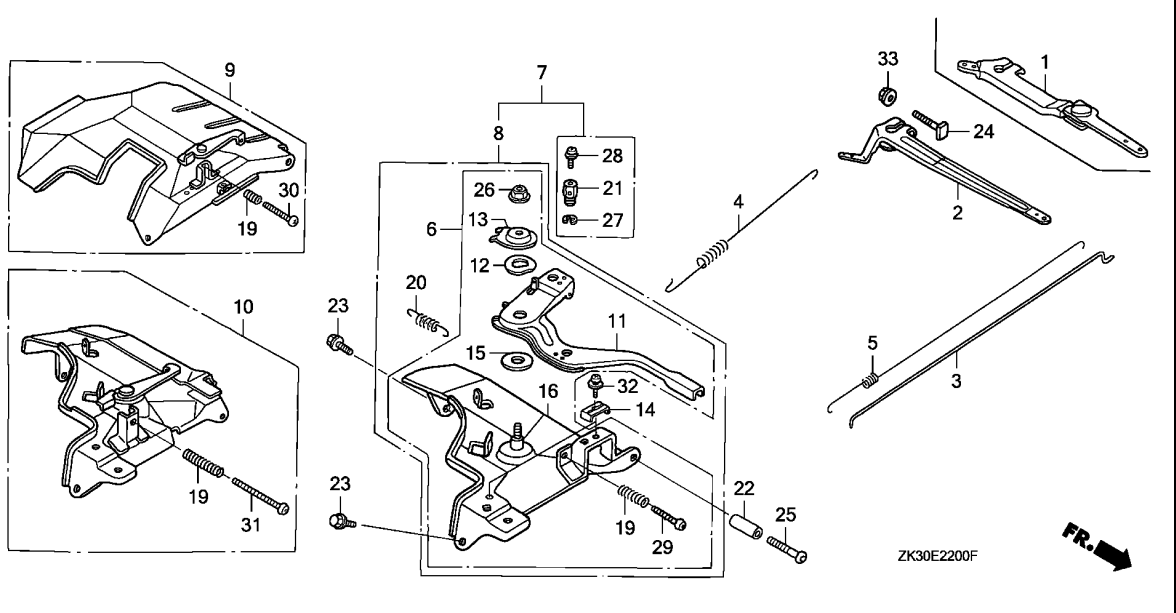


| Ref. No. | Part No. | Description | Reqd. QTY | | | Serial No. | Parts catalogue code | | | | | | |
|----------|---------------|----------------------|-----------|-------|-----|------------|---|---|---|---|-------|---------|---------------------|
| | | | GX | 340K1 | | | | | | | | | |
| | | | (1) | (2) | (3) | | | | | | | | |
| 11 | 16571-ZE3-W00 | LEVER, CONTROL | 1 | - | - | ----- | HA,HAQ,HA2,HA2/A,HH,HX,HX2,HX26,HX26/A,LH,LH/A,LHB1,LHB3,LHB3/A,LHB5,LHC,LHE,LHE/A,LHQ4,LHQ4/A,LHW,LJS,LJS/A,LJS1,LKE,LKE/A,LT,LT/A,LWD,LX,LX/A,LXE,LXE/A,LXE2,LXE2/A,LXE4,LXE4/A,LXE6,LXE8,LXE8/A,LXQ4,LXQ4/A,LXU,LXU/A,LXZ,LX2,LX2/A,LX26,LX26/A,PKT2,PKT2/A,PKT4,PKT4/A,PKX2,PKX4,PKX4/A,PX,PX/A,PXA2,PXE8,PXE8/A,QA,QA2,QA2/A,QA6,QA6/A,QAP,QAPE,QAP2,QAP2/A,QAQ,QA2,QA2/A,QA26,QA26/A,QDW9,QDW9/A,QE,QE/A,QH,QH/A,QHB3,QHB3/A,QHB5,QHC,QHE,QHE/A,QHP1,QHP1/A,QHQ4,QHQ4/A,QH2,QKA4,QKA4/A,QMEO,QMEO/A,QME8,QME8/A,QMH,QMH/A,QMT2,QMT2/A,QNE,QNE2,QNE2/A,QNE6,QNE9,QNE9/A,QNR2,QNR2/A,QNR6,QNR6/A,QN18,QP,QP/A,QPE2,QT,QT/A,QTC2,QTC2/A,QX,QX/A,QXB,QXB/A,QXB7,QXB7/A,QXC,QXC/A,QXC4,QXC4/A,QXC6,QXC6/A,QXC9,QXC9/A,QXE,QXE/A,QXEB,QXE2,QXE4,QXE4/A,QXE6,QXE6/A,QXE8,QXE8/A,QXQ4,QXQ4/A,QXU,QXU/A,QX2,SE,SE/A,SH,SH/A,SHB1,SHB3,SHB3/A,SHE,SHEZ,SHQ4,SHQ4/A,SHT,SMEO,SMEO/A,SME2,SMX2,SMX2/A,SWX,SWX/A,SX,SX/A,SXB,SXB/A,SXB7,SXB7/A,SXE,SXE/A,SXEB,SXEB/A,SXE2,SXE4,SXE4/A,SXE8,SXE8/A,SXP,SXQ4,SXQ4/A,SXU,SXU/A,VA,VAA,VAAE,VA2,VA2/A,VDE,VDE2,VDE2/A,VD16,VE,VEB6,VH,VHE,VMX,VX,VX/A,VXA,VXB,VXB/A,VXB2,VXB7,VXB7/A,VXE,VXE/A,VXEB,VXEB/A,VXE2,VXE2/A,VXE4,VXE6,VXE7,VXE7/A,VXQ4,VXQ4/A,VX16,VX16/A | 1 | - | - | ----- | 2540276 | VAH1,VAH2,VH12,VH22 |
| | 16571-ZE3-W10 | | 1 | - | - | ----- | VAD2,VAD2/A,VNG,VNG1,VNG2 | | | | | | |
| | | | - | (1) | - | ----- | | | | | | | |

2

| Ref. No. | Part No. | Description | Reqd. QTY | | | Serial No. | Parts catalogue code |
|----------|---------------|-----------------------------|-----------|-----|-----|------------|--|
| | | | (1) | (2) | (3) | | |
| 12 | 16574-ZE1-000 | SPRING, LEVER | 1 | - | - | ----- | HA,HAQ,HA2,HA2/A,HH,HX,HX2,HX26,HX26/A,LH,LH/A,LHB1,LHB3,LHB3/A,LHB5,LHC,LHE,LHE/A,LHQ4,LHQ4/A,LHW,LJS,LJS/A,LJS1,LKE,LKE/A,LT,LT/A,LWD,LX,LX/A,LXE,LXE/A,LXE2,LXE2/A,LXE4,LXE4/A,LXE6,LXE8,LXE8/A,LXQ4,LXQ4/A,LXU,LXU/A,LXZ,LX2,LX2/A,LX26,LX26/A,PKT2,PKT2/A,PKT4,PKT4/A,PKX2,PKX4,PKX4/A,PX,PX/A,PXA2,PXE8,PXE8/A,QA,QA2,QA2/A,QA26,QA26/A,QDW9,QDW9/A,QE,QE/A,QH,QH/A,QHB3,QHB3/A,QHB5,QHC,QHE,QHE/A,QHP1,QHP1/A,QHQ4,QHQ4/A,QH2,QKA4,QKA4/A,QMED,QMED/A,QME8,QME8/A,QMH,QMH/A,QMT2,QMT2/A,QNE,QNE2,QNE2/A,QNE6,QNE9,QNE9/A,QNR2,QNR2/A,QNR6,QNR6/A,QN18,QP,QP/A,QPE2,QT,QT/A,QTC2,QTC2/A,QX,QX/A,QXB,QXB/A,QXB7,QXB7/A,QXC,QXC/A,QXC4,QXC4/A,QXC6,QXC6/A,QXC9,QXC9/A,QXE,QXE/A,QXEB,QXE2,QXE4,QXE4/A,QXE6,QXE6/A,QXE8,QXE8/A,QXQ4,QXQ4/A,QXU,QXU/A,QX2,SE,SE/A,SH,SH/A,SHB1,SHB3,SHB3/A,SHE,SHEZ,SHQ4,SHQ4/A,SHT,SMED,SMED/A,SME2,SMX2,SMX2/A,SWX,SWX/A,SX,SX/A,SXB,SXB/A,SXB7,SXB7/A,SXE,SXE/A,SXEB,SXEB/A,SXE2,SXE4,SXE4/A,SXE8,SXE8/A,SXP,SXQ4,SXQ4/A,SXU,SXU/A,VA,VAA,VAAE,VAD2,VAD2/A,VA2,VA2/A,VDE,VDE2,VDE2/A,VD16,VE,VEB6,VH,VHE,VMX,VNG,VNG1,VNG2,VX,VX/A,VXA,VXB,VXB/A,VXB2,VXB7,VXB7/A,VXE,VXE/A,VXEB,VXEB/A,VXE2,VXE2/A,VXE4,VXE6,VXE7,VXE7/A,VXQ4,VXQ4/A,VX16,VX16/A |
| | | | 1 | - | - | ----- | 2540276 VAH1,VAH2,VH12,VH22 |
| | | | - | (1) | 1 | ----- | |
| 13 | 16575-ZE2-W00 | WASHER, CONTROL LEVER | 1 | - | - | ----- | HA,HAQ,HA2,HA2/A,HH,HX,HX2,HX26,HX26/A,LH,LH/A,LHB1,LHB3,LHB3/A,LHB5,LHC,LHE,LHE/A,LHQ4,LHQ4/A,LHW,LJS,LJS/A,LJS1,LKE,LKE/A,LT,LT/A,LWD,LX,LX/A,LXE,LXE/A,LXE2,LXE2/A,LXE4,LXE4/A,LXE6,LXE8,LXE8/A,LXQ4,LXQ4/A,LXU,LXU/A,LXZ,LX2,LX2/A,LX26,LX26/A,PKT2,PKT2/A,PKT4,PKT4/A,PKX2,PKX4,PKX4/A,PX,PX/A,PXA2,PXE8,PXE8/A,QA,QA2,QA2/A,QA26,QA26/A,QDW9,QDW9/A,QE,QE/A,QH,QH/A,QHB3,QHB3/A,QHB5,QHC,QHE,QHE/A,QHP1,QHP1/A,QHQ4,QHQ4/A,QH2,QKA4,QKA4/A,QMED,QMED/A,QME8,QME8/A,QMH,QMH/A,QMT2,QMT2/A,QNE,QNE2,QNE2/A,QNE6,QNE9,QNE9/A,QNR2,QNR2/A,QNR6,QNR6/A,QN18,QP,QP/A,QPE2,QT,QT/A,QTC2,QTC2/A,QX,QX/A,QXB,QXB/A,QXB7,QXB7/A,QXC,QXC/A,QXC4,QXC4/A,QXC6,QXC6/A,QXC9,QXC9/A,QXE,QXE/A,QXEB,QXE2,QXE4,QXE4/A,QXE6,QXE6/A,QXE8,QXE8/A,QXQ4,QXQ4/A,QXU,QXU/A,QX2,SE,SE/A,SH,SH/A,SHB1,SHB3,SHB3/A,SHE,SHEZ,SHQ4,SHQ4/A,SHT,SMED,SMED/A,SME2,SMX2,SMX2/A,SWX,SWX/A,SX,SX/A,SXB,SXB/A,SXB7,SXB7/A,SXE,SXE/A,SXEB,SXEB/A,SXE2,SXE4,SXE4/A,SXE8,SXE8/A,SXP,SXQ4,SXQ4/A,SXU,SXU/A,VA,VAA,VAAE,VAD2,VAD2/A,VA2,VA2/A,VDE,VDE2,VDE2/A,VD16,VE,VEB6,VH,VHE,VMX,VNG,VNG1,VNG2,VX,VX/A,VXA,VXB,VXB/A,VXB2,VXB7,VXB7/A,VXE,VXE/A,VXEB,VXEB/A,VXE2,VXE2/A,VXE4,VXE6,VXE7,VXE7/A,VXQ4,VXQ4/A,VX16,VX16/A |
| | | | 1 | - | - | ----- | 2540276 VAH1,VAH2,VH12,VH22 |
| | | | - | (1) | 1 | ----- | |



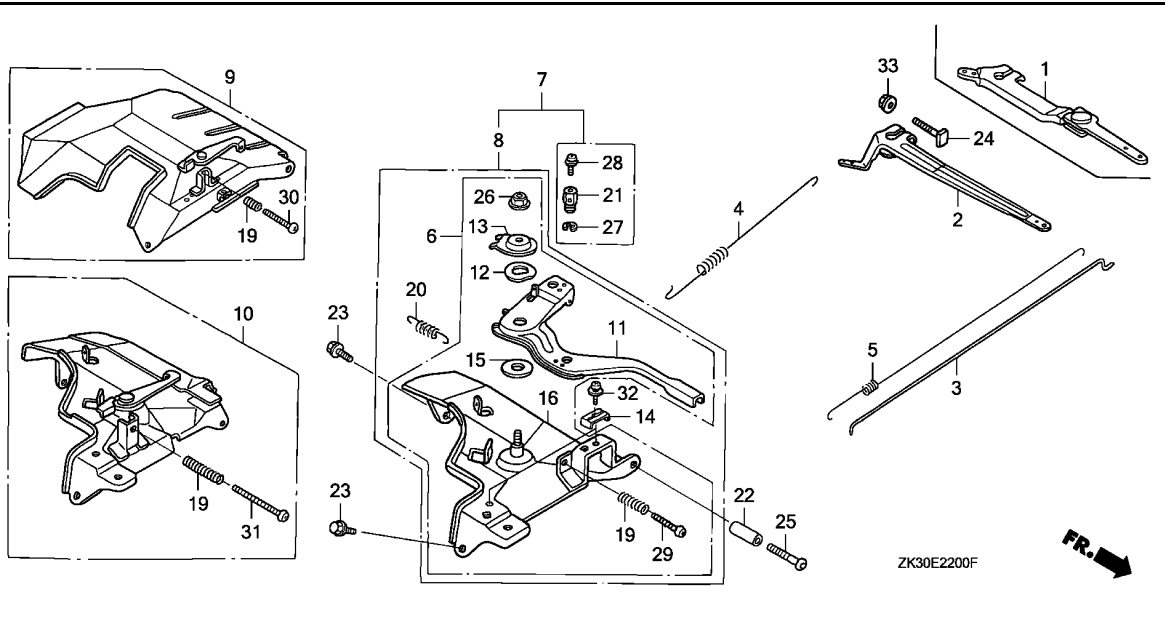


| Ref. No. | Part No. | Description | Reqd. QTY | | | Serial No. | Parts catalogue code |
|----------|---------------|---------------------|-----------|-------|-----|------------|---|
| | | | GX | 340K1 | | | |
| | | | (1) | (2) | (3) | | |
| 14 | 16576-891-000 | HOLDER, CABLE | 1 | - | - | ----- | HA,HAQ,HA2,HA2/A,HH,HX,HX2,HX26,HX26/A,LH,LH/A,LHB1,LHB3,LHB3/A,LHB5,LHC,LHE,LHE/A,LHQ4,LHQ4/A,LHW,LJS,LJS/A,LJS1,LKE,LKE/A,LT,LT/A,LWD,LX,LX/A,LXE,LXE/A,LXE2,LXE2/A,LXE4,LXE4/A,LXE6,LXE8,LXE8/A,LXQ4,LXQ4/A,LXU,LXU/A,LXZ,LX2,LX2/A,LX26,LX26/A,PX,PX/A,PXE8,PXE8/A,QA,QAE,QAE2,QAE2/A,QAE6,QAE6/A,QAP,QAPE,QAP2,QAP2/A,QAQ,QA2,QA2/A,QA26,QA26/A,QDW9,QDW9/A,QE,QE/A,QH,QH/A,QHB3,QHB3/A,QHB5,QHC,QHE,QHE/A,QHP1,QHP1/A,QHQ4,QHQ4/A,QH2,QKA4,QKA4/A,QMEO,QMEO/A,QME8,QME8/A,QMH,QMH/A,QMT2,QMT2/A,QNE,QNE2,QNE2/A,QNE6,QNE9,QNE9/A,QNR2,QNR2/A,QNR6,QNR6/A,QN18,QP,QP/A,QPE2,QT,QT/A,QTC2,QTC2/A,QX,QX/A,QXB,QXB/A,QXB7,QXB7/A,QXC,QXC/A,QXC4,QXC4/A,QXC6,QXC6/A,QXC9,QXC9/A,QXE,QXE/A,QXEB,QXE2,QXE4,QXE4/A,QXE6,QXE6/A,QXE8,QXE8/A,QXQ4,QXQ4/A,QXU,QXU/A,QX2,SE,SE/A,SH,SH/A,SHB1,SHB3,SHB3/A,SHE,SHEZ,SHQ4,SHQ4/A,SHT,SME0,SME0/A,SME2,SMX2,SMX2/A,SWX,SWX/A,SX,SX/A,SXB,SXB/A,SXB7,SXB7/A,SXE,SXE/A,SXEB,SXEB/A,SXE2,SXE4,SXE4/A,SXE8,SXE8/A,SXP,SXQ4,SXQ4/A,SXU,SXU/A,VA,VA2,VA2/A |
| | | | 1 | - | - | ----- | 2540276 VAH1,VH12 |
| | | | - | (1) | - | ----- | |

2

| Ref. No. | Part No. | Description | Reqd. QTY | | | Serial No. | Parts catalogue code |
|----------|---------------|-------------------------------|-----------|-----|-----|------------|---|
| | | | (1) | (2) | (3) | | |
| 15 | 16578-ZE1-000 | SPACER, CONTROL LEVER | 1 | - | - | ----- | HA,HAQ,HA2,HA2/A,HH,HX,HX2,HX26,HX26/A,LH,LH/A,LHB1,LHB3,LHB3/A,LHB5,LHC,LHE,LHE/A,LHQ4,LHQ4/A,LHW,LJS,LJS/A,LJS1,LKE,LKE/A,LT,LT/A,LWD,LX,LX/A,LXE,LXE/A,LXE2,LXE2/A,LXE4,LXE4/A,LXE6,LXE8,LXE8/A,LXQ4,LXQ4/A,LXU,LXU/A,LXZ,LX2,LX2/A,LX26,LX26/A,PKT2,PKT2/A,PKT4,PKT4/A,PKX2,PKX4,PKX4/A,PX,PX/A,PXA2,PXE8,PXE8/A,QA,QA2,QA2/A,QA26,QA26/A,QDW9,QDW9/A,QE,QE/A,QH,QH/A,QHB3,QHB3/A,QHB5,QHC,QHE,QHE/A,QHP1,QHP1/A,QHQ4,QHQ4/A,QH2,QKA4,QKA4/A,QMED,QMED/A,QME8,QME8/A,QMH,QMH/A,QMT2,QMT2/A,QNE,QNE2,QNE2/A,QNE6,QNE9,QNE9/A,QNR2,QNR2/A,QNR6,QNR6/A,QN18,QP,QP/A,QPE2,QT,QT/A,QTC2,QTC2/A,QX,QX/A,QXB,QXB/A,QXB7,QXB7/A,QXC,QXC/A,QXC4,QXC4/A,QXC6,QXC6/A,QXC9,QXC9/A,QXE,QXE/A,QXEB,QXE2,QXE4,QXE4/A,QXE6,QXE6/A,QXE8,QXE8/A,QXQ4,QXQ4/A,QXU,QXU/A,QX2,SE,SE/A,SH,SH/A,SHB1,SHB3,SHB3/A,SHE,SHEZ,SHQ4,SHQ4/A,SHT,SME0,SME0/A,SME2,SMX2,SMX2/A,SWX,SWX/A,SX,SX/A,SXB,SXB/A,SXB7,SXB7/A,SXE,SXE/A,SXEB,SXEB/A,SXE2,SXE4,SXE4/A,SXE8,SXE8/A,SXP,SXQ4,SXQ4/A,SXU,SXU/A,VA,VAA,VAE,VAD2,VAD2/A,VA2,VA2/A,VDE,VDE2,VDE2/A,VD16,VE,VEB6,VH,VHE,VMX,VNG,VNG1,VNG2,VX,VX/A,VXA,VXB,VXB/A,VXB2,VXB7,VXB7/A,VXE,VXE/A,VXEB,VXEB/A,VXE2,VXE2/A,VXE4,VXE6,VXE7,VXE7/A,VXQ4,VXQ4/A,VX16,VX16/A |
| | | | 1 | - | - | ----- | 2540276 VAH1,VAH2,VH12,VH22 |
| | | | - | (1) | 1 | | |
| 16 | 16581-ZE3-W00 | BASE COMP., CONTROL (###) ... | 1 | - | - | ----- | HA,HAQ,HA2,HA2/A,HH,HX,HX2,HX26,HX26/A,LH,LH/A,LHB1,LHB3,LHB3/A,LHB5,LHC,LHE,LHE/A,LHQ4,LHQ4/A,LHW,LJS,LJS/A,LJS1,LKE,LKE/A,LP,LT,LT/A,LWD,LX,LX/A,LXE,LXE/A,LXE2,LXE2/A,LXE4,LXE4/A,LXE6,LXE8,LXE8/A,LXQ4,LXQ4/A,LXU,LXU/A,LXZ,LX2,LX2/A,LX26,LX26/A,PKT2,PKT2/A,PKT4,PKT4/A,PKX2,PKX4,PKX4/A,PX,PX/A,PXA2,PXE8,PXE8/A,QA,QA2,QA2/A,QA26,QA26/A,QDW9,QDW9/A,QE,QE/A,QH,QH/A,QHB3,QHB3/A,QHB5,QHC,QHE,QHE/A,QHP1,QHP1/A,QHQ4,QHQ4/A,QH2,QKA4,QKA4/A,QMED,QMED/A,QME8,QME8/A,QMH,QMH/A,QMT2,QMT2/A,QNE,QNE2,QNE2/A,QNE6,QNE9,QNE9/A,QNR2,QNR2/A,QNR6,QNR6/A,QN18,QP,QP/A,QPE2,QT,QT/A,QTC2,QTC2/A,QX,QX/A,QXB,QXB/A,QXB7,QXB7/A,QXC,QXC/A,QXC4,QXC4/A,QXC6,QXC6/A,QXC9,QXC9/A,QXE,QXE/A,QXEB,QXE2,QXE4,QXE4/A,QXE6,QXE6/A,QXE8,QXE8/A,QXQ4,QXQ4/A,QXU,QXU/A,QX2,SE,SE/A,SH,SH/A,SHB1,SHB3,SHB3/A,SHE,SHEZ,SHQ4,SHQ4/A,SHT,SME0,SME0/A,SME2,SMX2,SMX2/A,SWX,SWX/A,SX,SX/A,SXB,SXB/A,SXB7,SXB7/A,SXE,SXE/A,SXEB,SXEB/A,SXE2,SXE4,SXE4/A,SXE8,SXE8/A,SXP,SXQ4,SXQ4/A,SXU,SXU/A,VA,VAA,VAE,VAD2,VAD2/A,VA2,VA2/A,VDE,VDE2,VDE2/A,VD16,VE,VEB6,VH,VHE,VMX,VNG,VNG1,VNG2,VX,VX/A,VXA,VXB,VXB/A,VXB2,VXE,VXE/A,VXEB,VXEB/A,VXE2,VXE2/A,VXE4,VXE6,VXQ4,VXQ4/A,VX16,VX16/A |
| | | | 1 | - | - | ----- | 2540276 VAH1,VAH2,VH12,VH22 |
| | | | - | (1) | 1 | | |

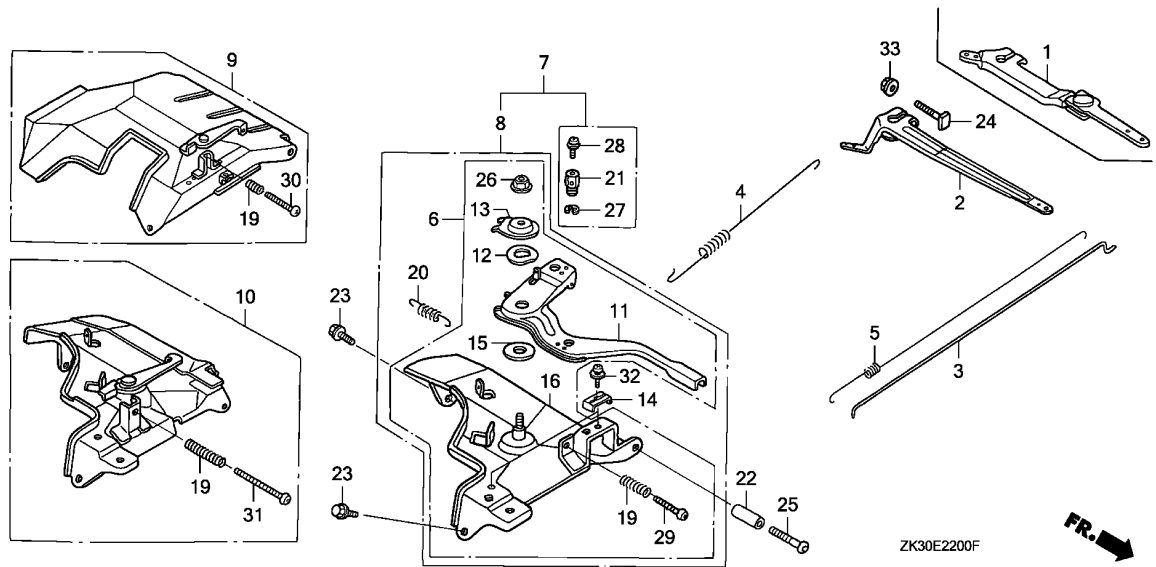




| Ref. No. | Part No. | Description | Reqd. QTY GX 340K1 (1) (2) (3) | Serial No. | Parts catalogue code |
|----------|---------------|-------------------------------|---|------------|---|
| 19 | 16584-883-300 | SPRING, CONTROL ADJUSTING ... | 1 | - | EDE2,EDE2/A,EDK,EDN,EDN2,EDN2/A,EDN5,EDN5/A,EDS,EDS3,EDS4,EDS6 EDS6/A,EDT3,EDT6,EDT6/A,ED6,ED6/A,ED7,ED8,ED8/A,ED9,ED9/A,EMT EMT/A,EN,ENT2,EN6,EN6/A,ES,ES1,ES1/A,ES2,ES3,ES3/A,ES4,ES4/A,ET ETS,ETX,HA,HAQ,HA2,HA2/A,HH,HX,HX2,HX26,HX26/A,LH,LH/A,LHB1,LHB3 LHB3/A,LHB5,LHC,LHE,LHE/A,LHQ4,LHQ4/A,LHW,LJS,LJS/A,LJS1,LKE LKE/A,LT,LT/A,LWD,LX,LX/A,LXE,LXE/A,LXE2,LXE2/A,LXE4,LXE4/A,LXE6 LXE8,LXE8/A,LXQ4,LXQ4/A,LXU,LXU/A,LXZ,LX2,LX2/A,LX26,LX26/A,PKT2 PKT2/A,PKT4,PKT4/A,PKX2,PKX4,PKX4/A,PX,PX/A,PXA2,PXE8,PXE8/A,QA QAE,QAE2,QAE2/A,QAE6,QAE6/A,QAP,QAPE,QAP2,QAP2/A,QAQ,QA2,QA2/A QA26,QA26/A,QDW9,QDW9/A,QE,QE/A,QH,QH/A,QHB3,QHB3/A,QHB5,QHC,QHE QHE/A,QHP1,QHP1/A,QHQ4,QHQ4/A,QH2,QKA4,QKA4/A,QMEO,QMEO/A,QME8 QME8/A,QMH,QMH/A,QMT2,QMT2/A,QNE,QNE2,QNE2/A,QNE6,QNE9,QNE9/A QNR2,QNR2/A,QNR6,QNR6/A,QN18,QP,QP/A,QPE2,QT,QT/A,QTC2,QTC2/A,QX QX/A,QXB,QXB/A,QXB7,QXB7/A,QXC,QXC/A,QXC4,QXC4/A,QXC6,QXC6/A,QXC9 QXC9/A,QXE,QXE/A,QXEB,QXE2,QXE4,QXE4/A,QXE6,QXE6/A,QXE8,QXE8/A QXQ4,QXQ4/A,QXU,QXU/A,QX2,SE,SE/A,SH,SH/A,SHB1,SHB3,SHB3/A,SHE SHEZ,SHQ4,SHQ4/A,SHT,SMEO,SMEO/A,SME2,SMX2,SMX2/A,SWX,SWX/A,SX SX/A,SXB,SXB/A,SXB7,SXB7/A,SXE,SXE/A,SXEB,SXEB/A,SXE2,SXE4,SXE4/A SXEB,SXEB/A,SXP,SXQ4,SXQ4/A,SXU,SXU/A,VA,VAA,VAAE,VAD2,VAD2/A VAH1,VAH2,VAW1,VA2,VA2/A,VC2,VC2/A,VDE,VDE2,VDE2/A,VD16,VE,VEB6 VH,VHE,VH12,VH12/A,VH22,VH22/A,VMQ,VMT,VMT/A,VMX,VNG,VNG1,VNG2 VSH7,VS2,VS3,VS4,VS5,VS6,VS7,VTE2,VWA,VWA2,VWC,VWC2,VWC2/A,VWE VWE2,VWE2/A,VWS2,VWS2/A,VW12,VW12/A,VX,VX/A,VXA,VXB,VXB/A,VXB2 VXB7,VXB7/A,VXE,VXE/A,VXEB,VXEB/A,VXE2,VXE2/A,VXE4,VXE6,VXE7 VXE7/A,VXE8,VXE8/A,VXG,VXK,VXQ4,VXQ4/A,VXU,VXU/A,VXU1,VXU1/A,VX16 VX16/A,VX8,VX8/A |
| | | | (1) | 1 | |

| Ref. No. | Part No. | Description | Reqd. QTY | | | Serial No. | Parts catalogue code |
|----------|---------------|-------------------------------|-----------|-----|-----|------------|--|
| | | | (1) | (2) | (3) | | |
| 20 | 16592-883-310 | SPRING, CABLE RETURN | 1 | - | - | ----- | HA,HAQ,HA2,HA2/A,HH,HX,HX2,HX26,HX26/A,LH,LH/A,LHB1,LHB3,LHB3/A,LHB5,LHC,LHE,LHE/A,LHQ4,LHQ4/A,LHW,LJS,LJS/A,LJS1,LKE,LKE/A,LT,LT/A,LWD,LX,LX/A,LXE,LXE/A,LXE2,LXE2/A,LXE4,LXE4/A,LXE6,LXE8,LXE8/A,LXQ4,LXQ4/A,LXU,LXU/A,LXZ,LX2,LX2/A,LX26,LX26/A,PX,PX/A,PXE8,PXE8/A,QA,QAE,QAE2,QAE2/A,QAE6,QAE6/A,QAP,QAPE,QAP2,QAP2/A,QAQ,QA2,QA2/A,QA26,QA26/A,QDW9,QDW9/A,QE,QE/A,QH,QH/A,QHB3,QHB3/A,QHB5,QHC,QHE,QHE/A,QHP1,QHP1/A,QHQ4,QHQ4/A,QH2,QKA4,QKA4/A,QMEO,QMEO/A,QME8,QME8/A,QMH,QMH/A,QMT2,QMT2/A,QNE,QNE2,QNE2/A,QNE6,QNE9,QNE9/A,QNR2,QNR2/A,QNR6,QNR6/A,QN18,QP,QP/A,QPE2,QT,QT/A,QTC2,QTC2/A,QX,QX/A,QXB,QXB/A,QXB7,QXB7/A,QXC,QXC/A,QXC4,QXC4/A,QXC6,QXC6/A,QXC9,QXC9/A,QXE,QXE/A,QXEB,QXE2,QXE4,QXE4/A,QXE6,QXE6/A,QXE8,QXE8/A,QXQ4,QXQ4/A,QXU,QXU/A,QX2,SE,SE/A,SH,SH/A,SHB1,SHB3,SHB3/A,SHE,SHEZ,SHQ4,SHQ4/A,SHT,SME0,SME0/A,SME2,SMX2,SMX2/A,SWX,SWX/A,SX,SX/A,SXB,SXB/A,SXB7,SXB7/A,SXE,SXE/A,SXEB,SXEB/A,SXE2,SXE4,SXE4/A,SXE8,SXE8/A,SXP,SXQ4,SXQ4/A,SXU,SXU/A,VA,VA2,VA2/A |
| | | | 1 | - | - | ----- | 2540276 VAH1,VH12 |
| | | | - | (1) | - | ----- | |
| 21 | 16594-883-010 | HOLDER, WIRE | 1 | - | - | ----- | LHW,LJS,LJS/A,LJS1,LKE,LKE/A,LT,LT/A,LWD,QAP,QAPE,QAP2,QAP2/A,QDW9,QDW9/A,QKA4,QKA4/A,QPE2,QTC2,QTC2/A,SME2,SMX2,SMX2/A,SXP |
| | | | - | (1) | - | ----- | |
| 22 | 16599-2G1-M10 | COLLAR, STOPPER | (1) | - | (1) | ----- | LHQ4,LHQ4/A,LKE/A,LXE4,LXE4/A,LXQ4,LXQ4/A,PKT4,PKT4/A,PKX4,PKX4/A,QE/A,QHQ4,QHQ4/A,QKA4,QKA4/A,QMEO,QMEO/A,QME8,QME8/A,QXB/A,QXB7,QXB7/A,QXC4,QXC4/A,QXE4,QXE4/A,QXQ4,QXQ4/A,SE/A,SHQ4,SHQ4/A,SME0,SME0/A,SXB/A,SXB7,SXB7/A,SXEB/A,SXE4,SXE4/A,SXQ4,SXQ4/A,VD16,VEB6,VSH7,VXB/A,VXB7,VXB7/A,VXEB/A,VXE4,VXE7,VXE7/A,VXQP,VXQ4,VXQ4/A,QE,QXB,SE,SXB,SXEB,VNG1,VNG2,VXB,VXEB,VXG |
| | | | (1) | - | - | ----- | 2337465 ----- |
| | | | (1) | - | - | ----- | 2398545 ----- |
| 23 | 90013-883-000 | BOLT, FLANGE, 6X12(CT200) ... | 2 | - | - | ----- | LKE EDE2,EDE2/A,EDK,EDN2,EDN2/A,EDN5,EDN5/A,EDS,EDS3,EDS4,EDS6,EDS6/A,EDT3,EDT6,EDT6/A,ED6,ED6/A,ED7,ED8,ED8/A,ED9,ED9/A,EMT,EMT/A,EN,ENT2,EN6,EN6/A,ES,ES1,ES1/A,ES2,ES3,ES3/A,ES4,ES4/A,ET,ETX,HA,HAQ,HA2,HA2/A,HH,HX,HX2,HX26,HX26/A,LH,LH/A,LHB1,LHB3,LHB3/A,LHB5,LHC,LHE,LHE/A,LHQ4,LHQ4/A,LHW,LJS,LJS/A,LJS1,LKE,LKE/A,LP,LT,LT/A,LWD,LX,LX/A,LXE,LXE/A,LXE2,LXE2/A,LXE4,LXE4/A,LXE6,LXE8,LXE8/A,LXQ4,LXQ4/A,LXU,LXU/A,LXZ,LX2,LX2/A,LX26,LX26/A,PKT2,PKT2/A,PKT4,PKT4/A,PKX2,PKX4,PKX4/A,PX,PX/A,PXA2,PXE8,PXE8/A,QA,QAE,QAE2,QAE2/A,QAE6,QAE6/A,QAP,QAPE,QAP2,QAP2/A,QAQ,QA2,QA2/A,QA26,QA26/A,QDW9,QDW9/A,QE,QE/A,QH,QH/A,QHB3,QHB3/A,QHB5,QHC,QHE,QHE/A,QHP1,QHP1/A,QHQ4,QHQ4/A,QH2,QKA4,QKA4/A,QMEO,QMEO/A,QME8,QME8/A,QMH,QMH/A,QMT2,QMT2/A,QNE,QNE2,QNE2/A,QNE6,QNE9,QNE9/A,QNR2,QNR2/A,QNR6,QNR6/A,QN18,QP,QP/A,QPE2,QT,QT/A,QTC2,QTC2/A,QX,QX/A,QXB,QXB/A,QXB7,QXB7/A,QXC,QXC/A,QXC4,QXC4/A,QXC6,QXC6/A,QXC9,QXC9/A,QXE,QXE/A,QXEB,QXE2,QXE4,QXE4/A,QXE6,QXE6/A,QXE8,QXE8/A,QXQ4,QXQ4/A,QXU,QXU/A,QX2,SE,SE/A,SH,SH/A,SHB1,SHB3,SHB3/A,SHE,SHEZ,SHQ4,SHQ4/A,SHT,SME0,SME0/A,SME2,SMX2,SMX2/A,SWX,SWX/A,SX,SX/A,SXB,SXB/A,SXB7,SXB7/A,SXE,SXE/A,SXEB,SXEB/A,SXE2,SXE4,SXE4/A,SXE8,SXE8/A,SXP,SXQ4,SXQ4/A,SXU,SXU/A,VA,VAA,VAEA,VAD2,VAD2/A,VAH1,VAH2,VAW1,VA2,VA2/A,VC2,VC2/A,VDE,VDE2,VDE2/A,VD16,VE,VEB6,VH,VHE,VH12,VH12/A,VH22,VH22/A,VMQ,VMT,VMT/A,VMX,VNG,VNG1,VNG2,VSH7,VS2,VS3,VS4,VS5,VS6,VS7,VTE2,VMA,VMA2,VWC,VWC2,VWC2/A,VWE,VWE2,VWE2/A,VWS2,VWS2/A,VW12,VW12/A,VX,VX/A,VXA,VXB,VXB/A,VXB2,VXB7,VXB7/A,VXE,VXE/A,VXEB,VXEB/A,VXE2,VXE2/A,VXE4,VXE6,VXE7,VXE7/A,VXE8,VXE8/A,VXG,VXK,VXQ4,VXQ4/A,VXU,VXU/A,VXU1,VXU1/A,VX16,VX16/A,VX8,VX8/A |
| | | | - | 2 | 2 | ----- | |

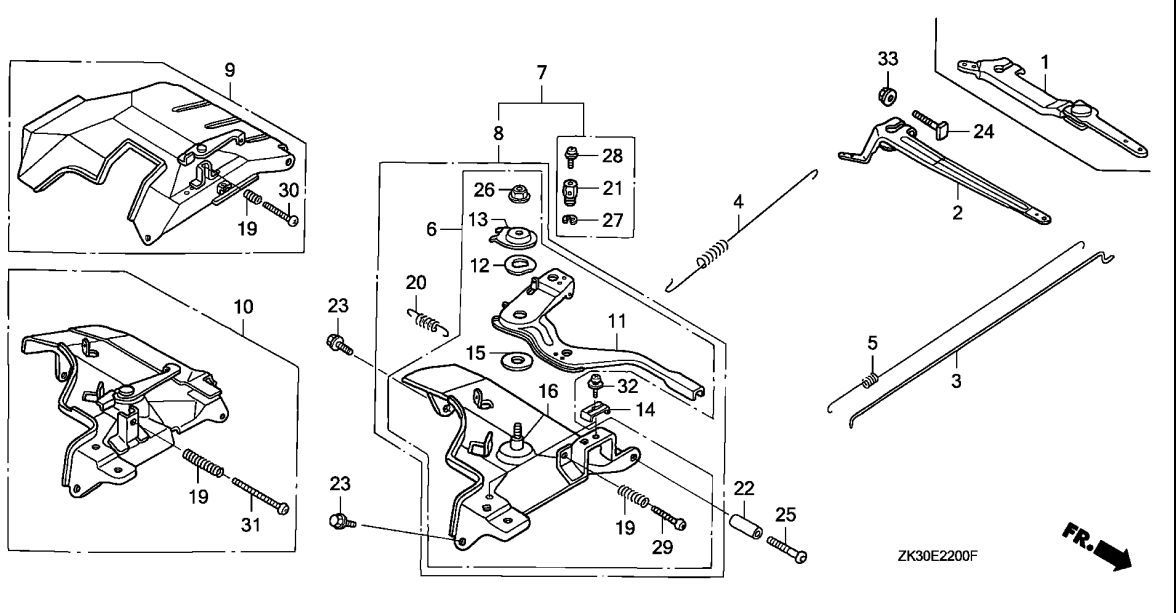




| Ref. No. | Part No. | Description | Reqd. QTY GX 340K1 (1) (2) (3) | Serial No. | Parts catalogue code |
|----------|---------------|--------------------|---|------------|---|
| 24 | 90015-ZE5-010 | BOLT, GOVERNOR ARM | 1 | - | EDE2,EDE2/A,EDK,EDN,EDN2,EDN2/A,EDN5,EDN5/A,EDS,EDS3,EDS4,EDS5 EDS6,EDS6/A,EDT3,EDT6,EDT6/A,ED6,ED6/A,ED7,ED8,ED8/A,ED9,ED9/A EMT,EMT/A,EN,ENT2,EN6,EN6/A,ES,ES1,ES1/A,ES2,ES3,ES3/A,ES4,ES4/A ET,ETS,ETX,HA,HAQ,HA2,HA2/A,HH,HX,HX2,HX26,HX26/A,LH,LH/A,LHB1 LHB3,LHB3/A,LHB5,LHC,LHE,LHE/A,LHQ4,LHQ4/A,LHW,LJS,LJS/A,LJS1,LKE LKE/A,LT,LT/A,LWD,LX,LX/A,LXE,LXE/A,LXE2,LXE2/A,LXE4,LXE4/A,LXE6 LXE8,LXE8/A,LXQ4,LXQ4/A,LXU,LXU/A,LXZ,LX2,LX2/A,LX26,LX26/A,PKT2 PKT2/A,PKT4,PKT4/A,PKX2,PKX4,PKX4/A,PX,PX/A,PXA2,PXE8,PXE8/A,QA QAE,QAE2,QAE2/A,QAE6,QAE6/A,QAP,QAPE,QAP2,QAP2/A,QAQ,QA2,QA2/A QA26,QA26/A,QDW9,QDW9/A,QE,QE/A,QH,QH/A,QHB3,QHB3/A,QHB5,QHC,QHE QHE/A,QHP1,QHP1/A,QHQ4,QHQ4/A,QH2,QKA4,QKA4/A,QMED,QMED/A,QME8 QME8/A,QMH,QMH/A,QMT2,QMT2/A,QNE,QNE2,QNE2/A,QNE6,QNE9,QNE9/A QNR2,QNR2/A,QNR6,QNR6/A,QN18,QP,QP/A,QPE2,QT,QT/A,QTC2,QTC2/A,QX QX/A,QXB,QXB/A,QXB7,QXB7/A,QXC,QXC/A,QXC4,QXC4/A,QXC6,QXC6/A,QXC9 QXC9/A,QXE,QXE/A,QXEB,QXE2,QXE4,QXE4/A,QXE6,QXE6/A,QXE8,QXE8/A QXQ4,QXQ4/A,QXU,QXU/A,QX2,SE,SE/A,SH,SH/A,SHB1,SHB3,SHB3/A,SHE SHEZ,SHQ4,SHQ4/A,SHT,SMEO,SMEO/A,SME2,SMX2,SMX2/A,SWX,SWX/A,SX SX/A,SXB,SXB/A,SXB7,SXB7/A,SXE,SXE/A,SXEB,SXEB/A,SXE2,SXE4,SXE4/A SXEB,SXEB/A,SXP,SXQ4,SXQ4/A,SXU,SXU/A,VA,VA,VA,VAE,VAD2,VAD2/A VAH1,VAH2,VAW1,VA2,VA2/A,VC2,VC2/A,VDE,VDE2,VDE2/A,VD16,VE,VEB6 VH,VHE,VH12,VH12/A,VH22,VH22/A,VMQ,VMT,VMT/A,VMX,VNG,VNG1,VNG2 VSH7,VS2,VS3,VS4,VS5,VS6,VS7,VTE2,VWA,VWA2,VWC,VWC2,VWC2/A,VWE VWE2,VWE2/A,VWS2,VWS2/A,VW12,VW12/A,VX,VX/A,VXA,VXB,VXB/A,VXB2 VXB7,VXB7/A,VXE,VXE/A,VXEB,VXEB/A,VXE2,VXE2/A,VXE4,VXE6,VXE7 VXE7/A,VXE8,VXE8/A,VXG,VXK,VXQ4,VXQ4/A,VXU,VXU/A,VXU1,VXU1/A,VX16 VX16/A,VX8,VX8/A |
| | | | - | 1 | |

| Ref. No. | Part No. | Description | Reqd. QTY | | | Serial No. | Parts catalogue code |
|----------|----------------|-----------------------|-----------|-----|-----|------------|--|
| | | | (1) | (2) | (3) | | |
| 25 | 90016-ZG9-N30 | SCREW, RECESSED, 5X25 | (1) | - | (1) | | LHQ4, LHQ4/A, LKE/A, LXE4, LXE4/A, LXQ4, LXQ4/A, PKT4, PKT4/A, PKX4, PKX4/A, QE/A, QHQ4, QHQ4/A, QKA4, QKA4/A, QMEO, QMEO/A, QME8, QME8/A, QXB/A, QXB7, QXB7/A, QXC4, QXC4/A, QXE4, QXE4/A, QXQ4, QXQ4/A, SE/A, SHQ4, SHQ4/A, SMEO, SMEO/A, SXB/A, SXB7, SXB7/A, SXEB/A, SXE4, SXE4/A, SXQ4, SXQ4/A, VD16, VEB6, VSH7, VXB/A, VXB7, VXB7/A, VXEB/A, VXE4, VXE7, VXE7/A, VXQP, VXQ4, VXQ4/A, QE, QXB, SE, SXB, SXEB, VNG1, VNG2, VXB, VXEB, VXG |
| | | | (1) | - | - | 2337465 | LKE |
| | | | (1) | - | - | 2398545 | LKE |
| 26 | 90114-SAO-000 | NUT, SELF-LOCK, 6MM | 1 | - | - | | HA, HAQ, HA2, HA2/A, HH, HX, HX2, HX26, HX26/A, LH, LH/A, LHB1, LHB3, LHB3/A, LHB5, LHC, LHE, LHE/A, LHQ4, LHQ4/A, LHW, LJS, LJS/A, LJS1, LKE, LKE/A, LT, LT/A, LWD, LX, LX/A, LXE, LXE/A, LXE2, LXE2/A, LXE4, LXE4/A, LXE6, LXE8, LXE8/A, LXQ4, LXQ4/A, LXU, LXU/A, LXZ, LX2, LX2/A, LX26, LX26/A, PKT2, PKT2/A, PKT4, PKT4/A, PKX2, PKX4, PKX4/A, PX, PX/A, PXA2, PXE8, PXE8/A, QA, QAE, QAE2, QAE2/A, QAE6, QAE6/A, QAP, QAPE, QAP2, QAP2/A, QAQ, QA2, QA2/A, QA26, QA26/A, QDW9, QDW9/A, QE, QE/A, QH, QH/A, QHB3, QHB3/A, QHB5, QHC, QHE, QHE/A, QHP1, QHP1/A, QHQ4, QHQ4/A, QH2, QKA4, QKA4/A, QMEO, QMEO/A, QME8, QME8/A, QMH, QMH/A, QMT2, QMT2/A, QNE, QNE2, QNE2/A, QNE6, QNE9, QNE9/A, QNR2, QNR2/A, QNR6, QNR6/A, QN18, QP, QP/A, QPE2, QT, QT/A, QTC2, QTC2/A, QX, QX/A, QXB, QXB/A, QXB7, QXB7/A, QXC, QXC/A, QXC4, QXC4/A, QXC6, QXC6/A, QXC9, QXC9/A, QXE, QXE/A, QXEB, QXE2, QXE4, QXE4/A, QXE6, QXE6/A, QXE8, QXE8/A, QXQ4, QXQ4/A, QXU, QXU/A, QX2, SE, SE/A, SH, SH/A, SHB1, SHB3, SHB3/A, SHE, SHEZ, SHQ4, SHQ4/A, SHT, SMEO, SMEO/A, SME2, SMX2, SMX2/A, SWX, SWX/A, SX, SX/A, SXB, SXB/A, SXB7, SXB7/A, SXE, SXE/A, SXEB, SXEB/A, SXE2, SXE4, SXE4/A, SXE8, SXE8/A, SXP, SXQ4, SXQ4/A, SXU, SXU/A, VA, VAA, VAAE, VAD2, VAD2/A, VA2, VA2/A, VDE, VDE2, VDE2/A, VD16, VE, VEB6, VH, VHE, VMX, VNG, VNG1, VNG2, VX, VX/A, VXA, VXB, VXB/A, VXB2, VXB7, VXB7/A, VXE, VXE/A, VXEB, VXEB/A, VXE2, VXE2/A, VXE4, VXE6, VXE7, VXE7/A, VXQ4, VXQ4/A, VX16, VX16/A |
| | | | 1 | - | - | 2540276 | VAH1, VAH2, VH12, VH22 |
| | | | - | (1) | 1 | | |
| 27 | 90605-230-000 | CIRCLIP, 5MM | 1 | - | - | | LHW, LJS, LJS/A, LJS1, LKE, LKE/A, LT, LT/A, LWD, QAP, QAPE, QAP2, QAP2/A, QDW9, QDW9/A, QKA4, QKA4/A, QPE2, QTC2, QTC2/A, SME2, SMX2, SMX2/A, SXP |
| 28 | 93500-04006-0H | SCREW, PAN, 4X6 | 1 | - | - | | LHW, LJS, LJS/A, LJS1, LKE, LKE/A, LT, LT/A, LWD, QAP, QAPE, QAP2, QAP2/A, QDW9, QDW9/A, QKA4, QKA4/A, QPE2, QTC2, QTC2/A, SME2, SMX2, SMX2/A, SXP |
| 29 | 93500-05032-0A | SCREW, PAN, 5X32 | 1 | - | - | | HA, HAQ, HA2, HA2/A, HH, HX, HX2, HX26, HX26/A, LH, LH/A, LHB1, LHB3, LHB3/A, LHB5, LHC, LHE, LHE/A, LHQ4, LHQ4/A, LHW, LJS, LJS/A, LJS1, LKE, LKE/A, LT, LT/A, LWD, LX, LX/A, LXE, LXE/A, LXE2, LXE2/A, LXE4, LXE4/A, LXE6, LXE8, LXE8/A, LXQ4, LXQ4/A, LXU, LXU/A, LXZ, LX2, LX2/A, LX26, LX26/A, PKT2, PKT2/A, PKT4, PKT4/A, PKX2, PKX4, PKX4/A, PX, PX/A, PXA2, PXE8, PXE8/A, QA, QAE, QAE2, QAE2/A, QAE6, QAE6/A, QAP, QAPE, QAP2, QAP2/A, QAQ, QA2, QA2/A, QA26, QA26/A, QDW9, QDW9/A, QE, QE/A, QH, QH/A, QHB3, QHB3/A, QHB5, QHC, QHE, QHE/A, QHP1, QHP1/A, QHQ4, QHQ4/A, QH2, QKA4, QKA4/A, QMEO, QMEO/A, QME8, QME8/A, QMH, QMH/A, QMT2, QMT2/A, QNE, QNE2, QNE2/A, QNE6, QNE9, QNE9/A, QNR2, QNR2/A, QNR6, QNR6/A, QN18, QP, QP/A, QPE2, QT, QT/A, QTC2, QTC2/A, QX, QX/A, QXB, QXB/A, QXB7, QXB7/A, QXC, QXC/A, QXC4, QXC4/A, QXC6, QXC6/A, QXC9, QXC9/A, QXE, QXE/A, QXEB, QXE2, QXE4, QXE4/A, QXE6, QXE6/A, QXE8, QXE8/A, QXQ4, QXQ4/A, QXU, QXU/A, QX2, SE, SE/A, SH, SH/A, SHB1, SHB3, SHB3/A, SHE, SHEZ, SHQ4, SHQ4/A, SHT, SMEO, SMEO/A, SME2, SMX2, SMX2/A, SWX, SWX/A, SX, SX/A, SXB, SXB/A, SXB7, SXB7/A, SXE, SXE/A, SXEB, SXEB/A, SXE2, SXE4, SXE4/A, SXE8, SXE8/A, SXP, SXQ4, SXQ4/A, SXU, SXU/A, VA, VAA, VAAE, VAD2, VAD2/A, VA2, VA2/A, VDE, VDE2, VDE2/A, VD16, VE, VEB6, VH, VHE, VMX, VNG, VNG1, VNG2, VX, VX/A, VXA, VXB, VXB/A, VXB2, VXB7, VXB7/A, VXE, VXE/A, VXEB, VXEB/A, VXE2, VXE2/A, VXE4, VXE6, VXE7, VXE7/A, VXQ4, VXQ4/A, VX16, VX16/A |
| | | | 1 | - | - | 2540276 | VAH1, VAH2, VH12, VH22 |
| | | | - | (1) | 1 | | |

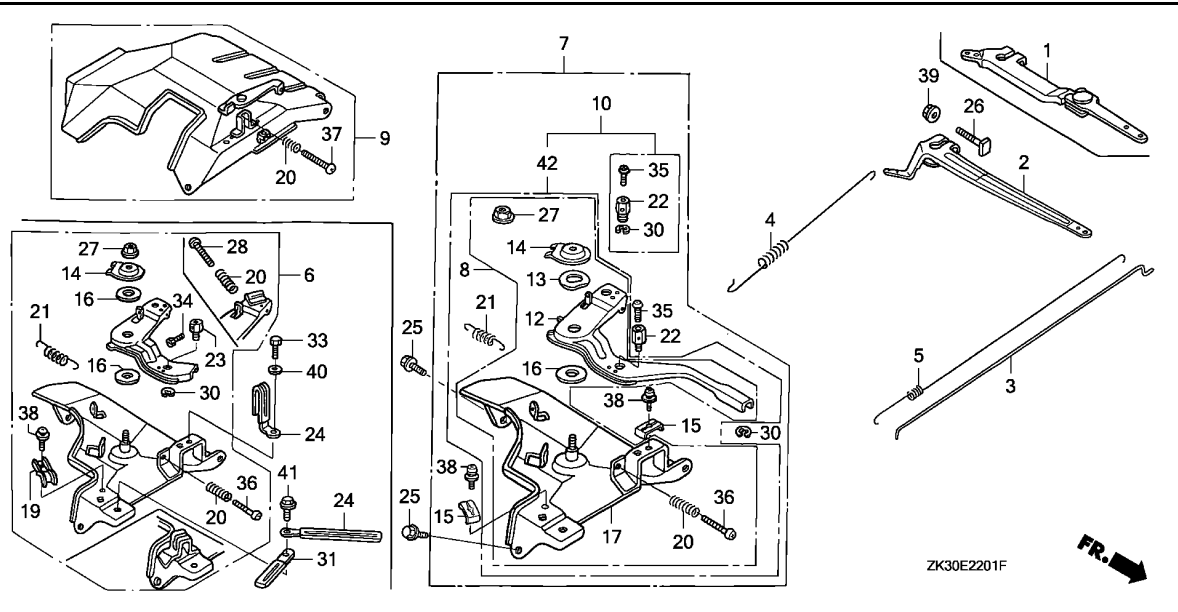




| Ref. No. | Part No. | Description | Reqd. QTY | | | Serial No. | Parts catalogue code |
|----------|----------------|--------------------|-----------|-------|-----|-----------------------------|--|
| | | | GX | 340K1 | | | |
| | | | (1) | (2) | (3) | | |
| 30 | 93500-05035-0A | SCREW, PAN, 5X35 | 1 | - | - | ----- | EDE2,EDE2/A,EDN,EDN2,EDN2/A,EDS,EDS3,EDS4,EDS6,EDS6/A,EDT3,EDT6 EDT6/A,ED6,ED6/A,EMT,EMT/A,ENT2,EN6,EN6/A,ES3,ES3/A,ES4,ES4/A,VMQ VMT,VMT/A,VS2,VS3,VS4,VS5,VS6,VS7,VTE2,VWC,VWE |
| 31 | 93500-05045-0A | SCREW, PAN, 5X45 | 1 | - | - | ----- | EDK,EDN5,EDN5/A,ED7,ED8,ED8/A,ED9,ED9/A,EN,ES,ES1,ES1/A,ES2,ET ETS,ETX,VAW1,VC2,VC2/A,VSH7,VWA,VWA2,VWC2,VWC2/A,VWE2,VWE2/A,VWS2 VWS2/A,VW12,VW12/A,VXE8,VXE8/A,VXG,VXK,VXU,VXU/A,VXU1,VXU1/A,VX8 VX8/A |
| 32 | 93893-05016-00 | SCREW-WASHER, 5X16 | 1 | (1) | - | 2540277 ----- 2206228 | VAH1,VAH2 HA,HAQ,HH,HX,LH,LHC,LHE,LKE,LX,LXE,LXZ,L1,PX,P1,QA,QAE,QAP,QAPE QAQ,QE,QH,QHC,QHE,QNE,QNE9,QP,QT,QX,QXB,QXC,QXE,QXEB,Q1,SE,SH,SHE SHEZ,SWX,SX,SXB,SXE,SXEB,SXP,S1,VA,VAH1,V1 |

| Ref. No. | Part No. | Description | Reqd. QTY | | | Serial No. | Parts catalogue code | |
|----------|----------------|------------------------|-----------|-----|-----|------------|--|---|
| | | | (1) | (2) | (3) | | | |
| 32) | 93500-05016-0A | SCREW, PAN, 5X16 | 1 | (1) | - | ----- | HA2,HA2/A,HX2,HX26,HX26/A,LH/A,LHB1,LHB3,LHB3/A,LHB5,LHE/A,LHQ4 LHQ4/A,LHW,LJS,LJS/A,LJS1,LKE/A,LT,LT/A,LWD,LX/A,LXE/A,LXE2 LXE2/A,LXE4,LXE4/A,LXE6,LXE8,LXE8/A,LXQ4,LXQ4/A,LXU,LXU/A,LX2 LX2/A,LX26,LX26/A,L1/A,PX/A,PXE8,PXE8/A,P1/A,QAE2,QAE2/A,QAE6 QAE6/A,QAP2,QAP2/A,QA2,QA2/A,QA26,QA26/A,QDW9,QDW9/A,QE/A,QH/A QHB3,QHB3/A,QHB5,QHE/A,QHP1,QHP1/A,QHQ4,QHQ4/A,QH2,QKA4,QKA4/A QME0,QME0/A,QME8,QME8/A,QMH,QMH/A,QMT2,QMT2/A,QNE2,QNE2/A,QNE6 QNE9/A,QNR2,QNR2/A,QNR6,QNR6/A,QN18,QP/A,QPE2,QT/A,QT C2,QT C2/A QX/A,QXB/A,QXB7,QXB7/A,QXC/A,QXC4,QXC4/A,QXC6,QXC6/A,QXC9,QXC9/A QXE/A,QXE2,QXE4,QXE4/A,QXE6,QXE6/A,QXE8,QXE8/A,QXQ4,QXQ4/A,QXU QXU/A,QX2,Q1/A,SE/A,SH/A,SHB1,SHB3,SHB3/A,SHQ4,SHQ4/A,SHT,SME0 SME0/A,SME2,SMX2,SMX2/A,SWX/A,SX/A,SXB/A,SXB7,SXB7/A,SXE/A,SXEB/A SXE2,SXE4,SXE4/A,SXE8,SXE8/A,SXQ4,SXQ4/A,SXU,SXU/A,S1/A,VA2,VA2/A VAH1,VAH1/A,VAW1,VAW1/A,VA2,VA2/A,VC2,VC2/A,VDE,VDE2/A,VD16,VE,VEB6 VH,VHE,VH12,VH12/A,VH22,VH22/A,VMQ,VMT,VMT/A,VMX,VNG,VNG1,VNG2 VSH7,VS2,VS3,VS4,VS5,VS6,VS7,VTE2,VWA,VWA2,VWC,VWC2,VWC2/A,VWE VWE2,VWE2/A,VWS2,VWS2/A,VW12,VW12/A,VX,VX/A,VXA,VXB,VXB/A,VXB2 VXB7,VXB7/A,VXE,VXE/A,VXEB,VXEB/A,VXE2,VXE2/A,VXE4,VXE6,VXE7 VXE7/A,VXE8,VXE8/A,VXG,VXK,VXQ4,VXQ4/A,VXU,VXU/A,VXU1,VXU1/A,VX16 VX16/A,VX8,VX8/A | |
| | | | 1 | (1) | - | 2206229 | ----- | HA,HAQ,HH,HX,LH,LHC,LHE,LKE,LX,LXE,LXZ,L1,PX,P1,QA,QAE,QAP,QAPE QAQ,QE,QH,QHC,QHE,QNE,QNE9,QP,QT,QX,QXB,QXC,QXE,QXEB,Q1,SE,SH,SHE SHEZ,SWX,SX,SXB,SXE,SXEB,SXP,S1,VA,V1 |
| | | | 1 | - | - | 2540276 | ----- | VH12 |
| | 93500-05045-0A | SCREW, PAN, 5X45 | 1 | - | - | 2206229 | ----- | VAH1 |
| | | | 1 | - | - | ----- | ----- | VH12/A |
| | | | 1 | - | - | 2540277 | ----- | VH12 |
| 33 | 94050-06000 | NUT, FLANGE, 6MM | 1 | - | - | ----- | ----- | EDE2,EDE2/A,EDK,EDN,EDN2,EDN2/A,EDN5,EDN5/A,EDS,EDS3,EDS4,EDS5 EDS6,EDS6/A,EDT3,EDT6,EDT6/A,ED6,ED6/A,ED7,ED8,ED8/A,ED9,ED9/A EMT,EMT/A,EN,ENT2,EN6,EN6/A,ES,ES1,ES1/A,ES2,ES3,ES3/A,ES4,ES4/A ET,ETS,ETX,HA,HAQ,HA2,HA2/A,HH,HX,HX2,HX26,HX26/A,LH,LH/A,LHB1 LHB3,LHB3/A,LHB5,LHC,LHE,LHE/A,LHQ4,LHQ4/A,LHW,LJS,LJS/A,LJS1,LKE LKE/A,LT,LT/A,LWD,LX,LX/A,LXE,LXE/A,LXE2,LXE2/A,LXE4,LXE4/A,LXE6 LXE8,LXE8/A,LXQ4,LXQ4/A,LXU,LXU/A,LXZ,LX2,LX2/A,LX26,LX26/A,PKT2 PKT2/A,PKT4,PKT4/A,PKX2,PKX4,PKX4/A,PX,PX/A,PXA2,PXE8,PXE8/A,QA QAE,QAE2,QAE2/A,QAE6,QAE6/A,QAP,QAPE,QAP2,QAP2/A,QAQ,QA2,QA2/A QA26,QA26/A,QDW9,QDW9/A,QE,QE/A,QH,QH/A,QHB3,QHB3/A,QHB5,QHC,QHE QHE/A,QHP1,QHP1/A,QHQ4,QHQ4/A,QH2,QKA4,QKA4/A,QME0,QME0/A,QME8 QME8/A,QMH,QMH/A,QMT2,QMT2/A,QNE,QNE2,QNE2/A,QNE6,QNE9,QNE9/A QNR2,QNR2/A,QNR6,QNR6/A,QN18,QP,QP/A,QPE2,QT,QT/A,QT C2,QT C2/A,QX QX/A,QXB,QXB/A,QXB7,QXB7/A,QXC,QXC/A,QXC4,QXC4/A,QXC6,QXC6/A,QXC9 QXC9/A,QXE,QXE/A,QXEB,QXE2,QXE4,QXE4/A,QXE6,QXE6/A,QXE8,QXE8/A QXQ4,QXQ4/A,QXU,QXU/A,QX2,SE,SE/A,SH,SH/A,SHB1,SHB3,SHB3/A,SHE SHEZ,SHQ4,SHQ4/A,SHT,SME0,SME0/A,SME2,SMX2,SMX2/A,SWX,SWX/A,SX SX/A,SXB,SXB/A,SXB7,SXB7/A,SXE,SXE/A,SXEB,SXEB/A,SXE2,SXE4,SXE4/A SXE8,SXE8/A,SXP,SXQ4,SXQ4/A,SXU,SXU/A,VA,VAA,VAAE,VAD2,VAD2/A VAH1,VAH2,VAW1,VA2,VA2/A,VC2,VC2/A,VDE,VDE2/A,VD16,VE,VEB6 VH,VHE,VH12,VH12/A,VH22,VH22/A,VMQ,VMT,VMT/A,VMX,VNG,VNG1,VNG2 VSH7,VS2,VS3,VS4,VS5,VS6,VS7,VTE2,VWA,VWA2,VWC,VWC2,VWC2/A,VWE VWE2,VWE2/A,VWS2,VWS2/A,VW12,VW12/A,VX,VX/A,VXA,VXB,VXB/A,VXB2 VXB7,VXB7/A,VXE,VXE/A,VXEB,VXEB/A,VXE2,VXE2/A,VXE4,VXE6,VXE7 VXE7/A,VXE8,VXE8/A,VXG,VXK,VXQ4,VXQ4/A,VXU,VXU/A,VXU1,VXU1/A,VX16 VX16/A,VX8,VX8/A |
| | | | - | 1 | 1 | | | |





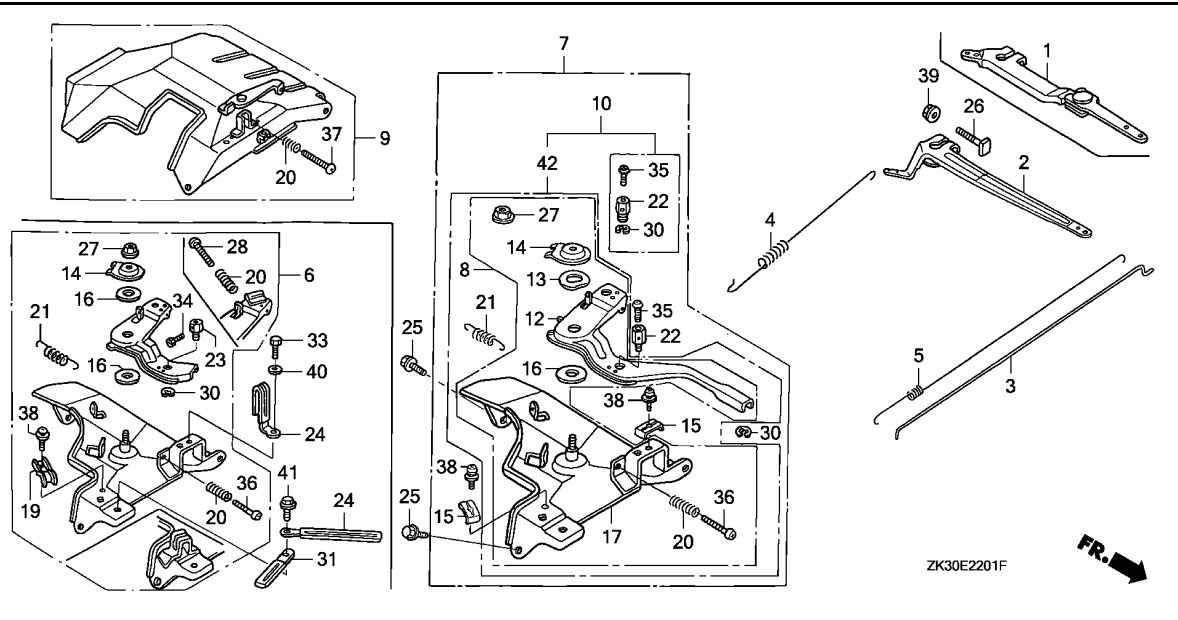
| Ref. No. | L.O.N. | (Relative ref. Number) Description | F.R.T. |
|----------|--------|------------------------------------|--------|
| 2 | | (1) | |
| 2 | 1161A0 | ARM, GOVERNOR | 0.2 |
| 3 | 1161B1 | ROD, GOVERNOR | 0.3 |
| 4 | 1161C5 | SPRING, GOVERNOR | 0.2 |
| 5 | 1161C2 | SPRING, THROTTLE RETURN | 0.3 |
| 7 | | (6,9,10,42) | |
| | 1161A5 | CONTROL, THROTTLE/GOVERNOR ... | 0.2 |
| 12 | 1161A8 | LEVER, CONTROL | 0.3 |
| 17 | 1161A2 | BASE, CONTROL | 0.3 |
| 21 | 1161B7 | SPRING, CABLE RETURN | 0.1 |



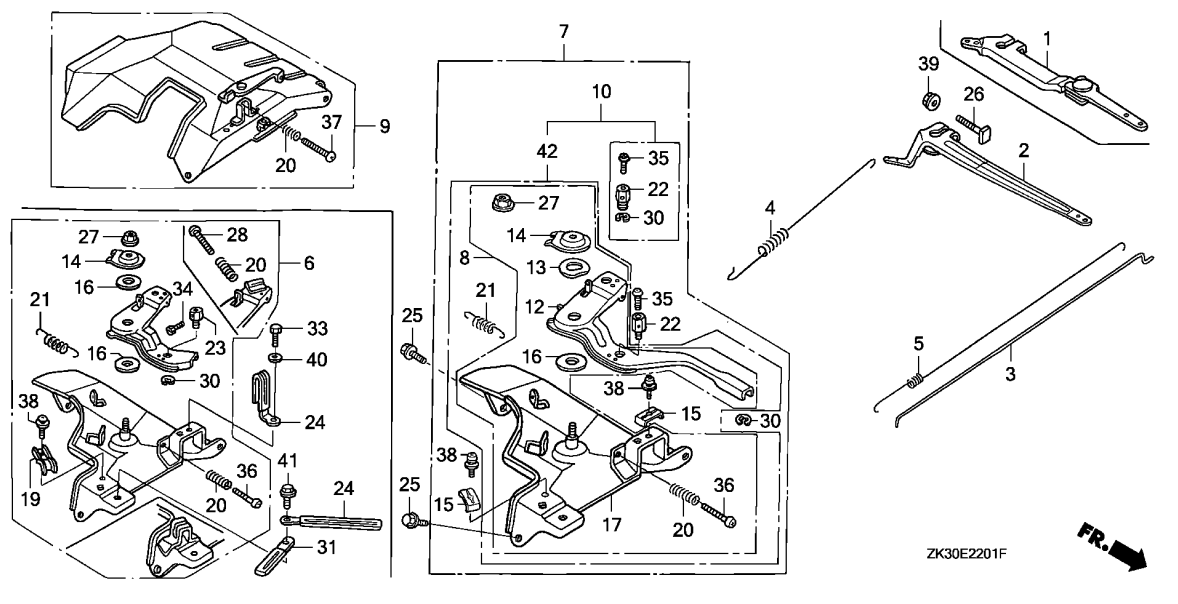
| Ref. No. | Part No. | Description | Reqd. QTY | | | Serial No. | Parts catalogue code |
|----------|---------------|-------------------------------|-----------|-----|-----|---|--|
| | | | GX 340K1 | (1) | (2) | | |
| 1 | 16550-ZE3-700 | ARM COMP., GOVERNOR | 1 | - | - | EDS1,EDS1/A,EDS2,EDS2/A,EDT,EDT/A,EDT1/A,EDT2,ENT,ENT/A | |
| 2 | 16551-ZE3-000 | ARM, GOVERNOR | 1 | - | - | EDT1 | |
| | | | 1 | - | - | 2297187 | BJ,LJ,LJ/A,LJG,LJG/A,LSX,QAB2,QAB2/A,QAC2,QAC2/A,QAG,QAG/A,QAH2,QAH2/A,QL2,QMX2,QWH2,QWH2/A,SDE,SJ,SJ/A,SJG,SJG/A,SKE,SKE/A,SKZ,SKZ/A,STJ,STJ/A,STP,STP/A,STQ,STQ/A,STR,STR/A,YJ,ZK1,ZK1/A |
| | | | 1 | - | - | 2297186 | EDT1 |
| 3 | 16555-ZE3-000 | ROD, GOVERNOR | 1 | 1 | - | 2117541 | BJ,LJ,L1,P1,Q1,SJ,STJ,STP,STQ,S1,V1,YJ |
| | | | 1 | - | - | | EDS1,EDS1/A,EDS2,EDS2/A,EDT,EDT/A,EDT1,EDT1/A,EDT2,ENT,ENT/A |
| | 16555-ZE3-W00 | ROD, GOVERNOR (STD.) | 1 | 1 | - | 3032024 | LJG,SDE,SJG,SKE,SKZ,STR |
| | | | 1 | 1 | - | | LJ/A,LSX,L1/A,P1/A,Q1/A,SJ/A,STJ/A,STP/A,STQ/A,S1/A |
| | | | 1 | 1 | - | 2117542 | BJ,LJ,L1,P1,Q1,SJ,STJ,STP,STQ,S1,V1,YJ |
| 4 | 16561-ZE3-000 | SPRING, GOVERNOR | 1 | - | - | 3032023 | LJG,SDE,SJG,SKE,SKZ,STR |
| | | | 1 | - | - | | BJ,EDS1,EDS1/A,EDS2,EDS2/A,EDT,EDT/A,EDT1,EDT1/A,EDT2,ENT,ENT/A |
| | | | 1 | - | - | | LJ,LJ/A,LJG,LJG/A,LSX,QAB2,QAB2/A,QAC2,QAC2/A,QAG,QAG/A,QAH2,QAH2/A,QL2,QMX2,QWH2,QWH2/A,SDE,SJ,SJ/A,SJG,SJG/A,SKE,SKE/A,SKZ,SKZ/A,STJ,STJ/A,STP,STP/A,STQ,STQ/A,STR,STR/A,YJ,ZK1,ZK1/A |
| 5 | 16562-ZE3-000 | SPRING, THROTTLE RETURN | 1 | - | - | | BJ,LJ,LJ/A,LJG,LJG/A,LSX,QAB2,QAB2/A,QAC2,QAC2/A,QAG,QAG/A,QAH2,QAH2/A,QL2,QMX2,QWH2,QWH2/A,SDE,SJ,SJ/A,SJG,SJG/A,SKE,SKE/A,SKZ,SKZ/A,STJ,STJ/A,STP,STP/A,STQ,STQ/A,STR,STR/A,YJ,ZK1,ZK1/A |
| | | | 1 | - | - | 2297186 | EDT1 |
| | | | 1 | - | - | | EDT1 |
| | 16562-ZE3-700 | | 1 | - | - | | EDS1,EDS1/A,EDS2,EDS2/A,EDT,EDT/A,EDT1/A,ENT,ENT/A |
| | | | 1 | - | - | 2297187 | EDT1 |
| 6 | 16570-ZE3-L60 | CONTROL ASSY. (REMOTE) | 1 | - | - | 2375015 | ZK1 |

| Ref. No. | Part No. | Description | Reqd. QTY | | | Serial No. | Parts catalogue code | | |
|----------|---------------|-------------------------------|-----------|-----|-----|------------|----------------------|---|-----|
| | | | (1) | (2) | (3) | | | | |
| (6) | 16570-ZE3-L61 | CONTROL ASSY. (REMOTE) | 1 | - | - | ----- | ZK1/A | | |
| | | | 1 | - | - | 2375016 | ----- | ZK1 | |
| 7 | 16570-ZE3-R90 | CONTROL ASSY. (DELICA) | 1 | - | - | ----- | ----- | SDE | |
| 8 | 16570-ZE3-W00 | CONTROL ASSY. (STD.) | - | (1) | - | ----- | ----- | | |
| | 16570-ZE3-W30 | CONTROL ASSY. (REMOTE) | - | (1) | - | ----- | ----- | | |
| 9 | 16570-ZE3-700 | CONTROL ASSY. | 1 | - | - | ----- | ----- | EDS1,EDS1/A,EDS2,EDS2/A,EDT,EDT/A,EDT1,EDT1/A,EDT2,ENT,ENT/A | |
| 10 | 16570-ZE3-W10 | CONTROL ASSY. (REMOTE) | 1 | - | - | ----- | ----- | BJ,LJ,LJ/A,LJG,LJG/A,SJ,SJ/A,SJG,SJG/A,SKE,SKE/A,SKZ,SKZ/A,STJ,STJ/A,STP,STP/A,STQ,STQ/A,STR,STR/A,YJ | |
| | | | - | (1) | - | ----- | ----- | | |
| 12 | 16571-ZE3-W00 | LEVER, CONTROL | 1 | - | - | ----- | ----- | BJ,LJ,LJ/A,LJG,LJG/A,LSX,QAB2,QAB2/A,QAC2,QAC2/A,QAG,QAG/A,QAQ2,QAQ2/A,QL2,QMX2,QWH2,QWH2/A,SDE,SJ,SJ/A,SJG,SJG/A,SKE,SKE/A,SKZ,SKZ/A,STJ,STJ/A,STP,STP/A,STQ,STQ/A,STR,STR/A,YJ | |
| | | | - | (1) | - | ----- | ----- | | |
| | 16571-ZE3-W10 | | - | (1) | - | ----- | ----- | | |
| 13 | 16574-ZE1-000 | SPRING, LEVER | 1 | - | - | ----- | ----- | BJ,LJ,LJ/A,LJG,LJG/A,LSX,QAB2,QAB2/A,QAC2,QAC2/A,QAG,QAG/A,QAQ2,QAQ2/A,QL2,QMX2,QWH2,QWH2/A,SDE,SJ,SJ/A,SJG,SJG/A,SKE,SKE/A,SKZ,SKZ/A,STJ,STJ/A,STP,STP/A,STQ,STQ/A,STR,STR/A,YJ | |
| | | | - | (1) | - | ----- | ----- | | |
| 14 | 16575-ZE2-W00 | WASHER, CONTROL LEVER | 1 | - | - | ----- | ----- | BJ,LJ,LJ/A,LJG,LJG/A,LSX,QAB2,QAB2/A,QAC2,QAC2/A,QAG,QAG/A,QAQ2,QAQ2/A,QL2,QMX2,QWH2,QWH2/A,SDE,SJ,SJ/A,SJG,SJG/A,SKE,SKE/A,SKZ,SKZ/A,STJ,STJ/A,STP,STP/A,STQ,STQ/A,STR,STR/A,YJ,ZK1,ZK1/A | |
| | | | - | (1) | - | ----- | ----- | | |
| 15 | 16576-891-000 | HOLDER, CABLE | 1 | - | - | ----- | ----- | BJ,LJ,LJ/A,LJG,LJG/A,LSX,QAB2,QAB2/A,QAC2,QAC2/A,QAG,QAG/A,QAQ2,QAQ2/A,QL2,QMX2,QWH2,QWH2/A,SDE,SJ,SJ/A,SJG,SJG/A,SKE,SKE/A,SKZ,SKZ/A,STJ,STJ/A,STP,STP/A,STQ,STQ/A,STR,STR/A,YJ | |
| | | | - | (1) | - | ----- | ----- | | |
| 16 | 16578-ZE1-000 | SPACER, CONTROL LEVER | 1 | - | - | ----- | ----- | BJ,LJ,LJ/A,LJG,LJG/A,LSX,QAB2,QAB2/A,QAC2,QAC2/A,QAG,QAG/A,QAQ2,QAQ2/A,QL2,QMX2,QWH2,QWH2/A,SDE,SJ,SJ/A,SJG,SJG/A,SKE,SKE/A,SKZ,SKZ/A,STJ,STJ/A,STP,STP/A,STQ,STQ/A,STR,STR/A,YJ | |
| | | | 2 | - | - | ----- | ----- | ZK1,ZK1/A | |
| | | | - | (1) | - | ----- | ----- | | |
| 17 | 16581-ZE3-W00 | BASE COMP., CONTROL (###) ... | 1 | - | - | ----- | ----- | BJ,LJ,LJ/A,LJG,LJG/A,LSX,QAB2,QAB2/A,QAC2,QAC2/A,QAG,QAG/A,QAQ2,QAQ2/A,QL2,QMX2,QWH2,QWH2/A,SDE,SJ,SJ/A,SJG,SJG/A,SKE,SKE/A,SKZ,SKZ/A,STJ,STJ/A,STP,STP/A,STQ,STQ/A,STR,STR/A,YJ | |
| | | | - | (1) | - | ----- | ----- | | |
| 19 | 16582-883-300 | HOLDER, CONTROL CABLE | 1 | - | - | ----- | 2375015 | ZK1 | |
| 20 | 16584-883-300 | SPRING, CONTROL ADJUSTING ... | 1 | - | - | ----- | ----- | BJ,EDS1,EDS1/A,EDS2,EDS2/A,EDT,EDT/A,EDT1,EDT1/A,EDT2,ENT,ENT/A,LJ,LJ/A,LJG,LJG/A,LSX,QAB2,QAB2/A,QAC2,QAC2/A,QAG,QAG/A,QAQ2,QAQ2/A,QL2,QMX2,QWH2,QWH2/A,SDE,SJ,SJ/A,SJG,SJG/A,SKE,SKE/A,SKZ,SKZ/A,STJ,STJ/A,STP,STP/A,STQ,STQ/A,STR,STR/A,YJ | |
| | | | 1 | - | - | ----- | 2375015 | ZK1 | |
| | | | - | (1) | - | ----- | ----- | | |
| | | | 2 | - | - | ----- | ----- | ZK1/A | |
| | | | 2 | - | - | ----- | 2375016 | ----- | ZK1 |
| 21 | 16592-883-310 | SPRING, CABLE RETURN | 1 | - | - | ----- | ----- | BJ,LJ,LJ/A,LJG,LJG/A,LSX,QAB2,QAB2/A,QAC2,QAC2/A,QAG,QAG/A,QAQ2,QAQ2/A,QL2,QMX2,QWH2,QWH2/A,SDE,SJ,SJ/A,SJG,SJG/A,SKE,SKE/A,SKZ,SKZ/A,STJ,STJ/A,STP,STP/A,STQ,STQ/A,STR,STR/A,YJ,ZK1,ZK1/A | |
| | | | - | (1) | - | ----- | ----- | | |
| 22 | 16594-883-010 | HOLDER, WIRE | 1 | - | - | ----- | ----- | BJ,LJ,LJ/A,LJG,LJG/A,QMX2,SJ,SJ/A,SJG,SJG/A,SKE,SKE/A,SKZ,SKZ/A,STJ,STJ/A,STP,STP/A,STQ,STQ/A,STR,STR/A,YJ | |
| | | | 2 | - | - | ----- | ----- | SDE | |
| | | | - | (1) | - | ----- | ----- | | |
| 23 | 16617-ZE3-H00 | HOLDER, WIRE | 1 | - | - | ----- | ----- | ZK1,ZK1/A | |
| 24 | 32170-KR5-000 | CLIP, WIRE HARNESS | 3 | - | - | ----- | 2767218 | ZK1 | |



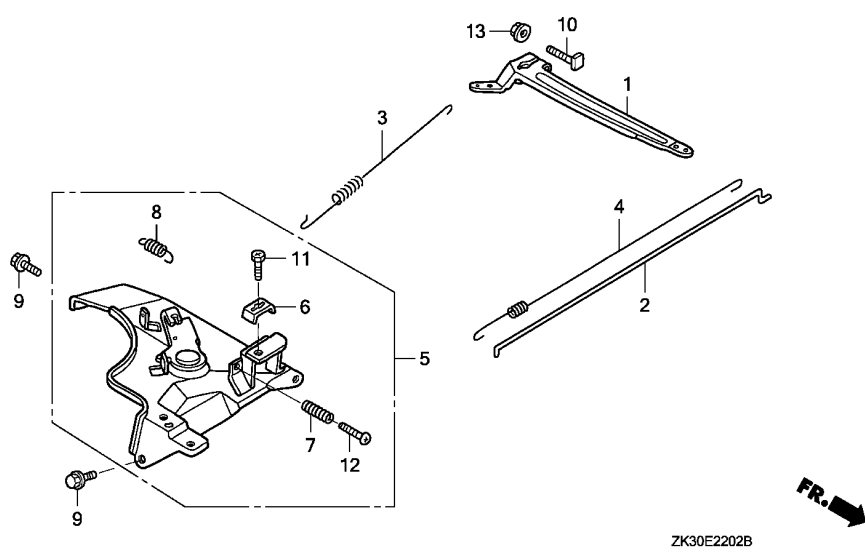


| Ref. No. | Part No. | Description | Reqd. QTY | | | Serial No. | Parts catalogue code |
|----------|----------------|-------------------------------|-----------|-----|-----|------------|---|
| | | | GX | (1) | (2) | | |
| 25 | 90013-883-000 | BOLT, FLANGE, 6X12(CT200) ... | 2 | - | - | ----- | BJ,EDS1,EDS1/A,EDS2,EDS2/A,EDT,EDT/A,EDT1,EDT1/A,EDT2,ENT,ENT/A,LJ,LJ/A,LJG,LJG/A,LSX,QAB2,QAB2/A,QAC2,QAC2/A,QAG,QAG/A,QAH2,QAH2/A,QL2,QMX2,QWH2,QWH2/A,SDE,SJ,SJ/A,SJG,SJG/A,SKE,SKE/A,SKZ,SKZ/A,STJ,STJ/A,STP,STP/A,STQ,STQ/A,STR,STR/A,YJ,ZK1,ZK1/A |
| | | | - | 2 | - | | |
| 26 | 90015-ZE5-010 | BOLT, GOVERNOR ARM | 1 | - | - | ----- | BJ,EDS1,EDS1/A,EDS2,EDS2/A,EDT,EDT/A,EDT1,EDT1/A,EDT2,ENT,ENT/A,LJ,LJ/A,LJG,LJG/A,LSX,QAB2,QAB2/A,QAC2,QAC2/A,QAG,QAG/A,QAH2,QAH2/A,QL2,QMX2,QWH2,QWH2/A,SDE,SJ,SJ/A,SJG,SJG/A,SKE,SKE/A,SKZ,SKZ/A,STJ,STJ/A,STP,STP/A,STQ,STQ/A,STR,STR/A,YJ,ZK1,ZK1/A |
| 27 | 90114-SAO-000 | NUT, SELF-LOCK, 6MM | 1 | - | - | ----- | BJ,LJ,LJ/A,LJG,LJG/A,LSX,QAB2,QAB2/A,QAC2,QAC2/A,QAG,QAG/A,QAH2,QAH2/A,QL2,QMX2,QWH2,QWH2/A,SDE,SJ,SJ/A,SJG,SJG/A,SKE,SKE/A,SKZ,SKZ/A,STJ,STJ/A,STP,STP/A,STQ,STQ/A,STR,STR/A,YJ,ZK1,ZK1/A |
| 28 | 90122-735-000 | SCREW, PAN, 5X35 | 1 | - | - | 2375016 | 2492684 ZK1 |
| | 93500-05032-0A | SCREW, PAN, 5X32 | 1 | - | - | ----- | ZK1/A |
| | | | 1 | - | - | 2492685 | ZK1 |
| 30 | 90605-230-000 | CIRCLIP, 5MM | 1 | - | - | ----- | BJ,LJ,LJ/A,LJG,LJG/A,QMX2,SJ,SJ/A,SJG,SJG/A,SKE,SKE/A,SKZ,SKZ/A,STJ,STJ/A,STP,STP/A,STQ,STQ/A,STR,STR/A,YJ,ZK1,ZK1/A |
| | | | 2 | - | - | ----- | SDE |
| | | | - | (1) | - | | |
| 31 | 91406-657-671 | CLIP, WIRE HARNESS | 1 | - | - | ----- | ZK1,ZK1/A |
| 33 | 92101-05012-0A | BOLT, HEX., 5X12 | 1 | - | - | ----- | ZK1,ZK1/A |
| 34 | 92301-04006-0A | BOLT, RECESSED, 4X6 | 1 | - | - | ----- | ZK1,ZK1/A |



| Ref. No. | Part No. | Description | Reqd. QTY | | | Serial No. | Parts catalogue code | |
|----------|----------------|------------------------|-----------|-----|-----|------------|--|--|
| | | | GX | (1) | (2) | | | (3) |
| 35 | 93500-04006-0H | SCREW, PAN, 4X6 | 1 | - | - | ----- | BJ,LJ,LJ/A,LJG,LJG/A,QMX2,SJ,SJ/A,SJG,SJG/A,SKE,SKE/A,SKZ,SKZ/A STJ,STJ/A,STP,STP/A,STQ,STQ/A,STR,STR/A,YJ | |
| | | | 2 | - | - | ----- | SDE | |
| | | | - | (1) | - | ----- | | |
| 36 | 93500-05032-0A | SCREW, PAN, 5X32 | 1 | - | - | ----- | BJ,LJ,LJ/A,LJG,LJG/A,LSX,QAB2,QAB2/A,QAC2,QAC2/A,QAG,QAG/A,QAH2 QAH2/A,QL2,QMX2,QWH2,QWH2/A,SDE,SJ,SJ/A,SJG,SJG/A,SKE,SKE/A,SKZ SKZ/A,STJ,STJ/A,STP,STP/A,STQ,STQ/A,STR,STR/A,YJ,ZK1/A | |
| | | | 1 | - | - | 2375016 | ----- | ZK1 |
| | | | - | (1) | - | ----- | | |
| 37 | 93500-05035-0A | SCREW, PAN, 5X35 | 1 | - | - | ----- | EDS1,EDS1/A,EDS2,EDS2/A,EDT,EDT/A,EDT1,EDT1/A,EDT2,ENT,ENT/A | |
| 38 | 93893-05016-00 | SCREW-WASHER, 5X16 | 1 | (1) | - | 2206228 | ----- | BJ,LJ,L1,P1,Q1,SJ,STJ,STP,STQ,S1,V1,YJ |
| | 93500-05016-0A | SCREW, PAN, 5X16 | 1 | (1) | - | ----- | LJ/A,LJG,LJG/A,LSX,L1/A,P1/A,QAB2,QAB2/A,QAC2,QAC2/A,QAG,QAG/A QAH2,QAH2/A,QL2,QMX2,QWH2,QWH2/A,Q1/A,SJ/A,SJG,SJG/A,SKE,SKE/A SKZ,SKZ/A,STJ/A,STP/A,STQ/A,STR,STR/A,S1/A | |
| | | | 1 | (1) | - | 2206229 | ----- | BJ,LJ,L1,P1,Q1,SJ,STJ,STP,STQ,S1,V1,YJ |
| | | | 1 | - | - | 2375015 | ----- | ZK1 |
| | | | 2 | - | - | ----- | SDE | |
| 39 | 94050-06000 | NUT, FLANGE, 6MM | 1 | - | - | ----- | BJ,EDS1,EDS1/A,EDS2,EDS2/A,EDT,EDT/A,EDT1,EDT1/A,EDT2,ENT,ENT/A LJ,LJ/A,LJG,LJG/A,LSX,QAB2,QAB2/A,QAC2,QAC2/A,QAG,QAG/A,QAH2 QAH2/A,QL2,QMX2,QWH2,QWH2/A,SDE,SJ,SJ/A,SJG,SJG/A,SKE,SKE/A,SKZ SKZ/A,STJ,STJ/A,STP,STP/A,STQ,STQ/A,STR,STR/A,YJ,ZK1,ZK1/A | |
| | | | - | 1 | - | ----- | | |
| 40 | 94101-05000 | WASHER, PLAIN, 5MM | 1 | - | - | 2767218 | ----- | ZK1 |
| | 94103-05000 | | 1 | - | - | ----- | ZK1/A | |
| | | | 1 | - | - | 2767219 | ----- | ZK1 |
| 41 | 95701-06016-00 | BOLT, FLANGE, 6X16 | 1 | - | - | ----- | ZK1,ZK1/A | |
| 42 | 16570-ZE3-W20 | CONTROL ASSY. (REMOTE) | 1 | - | - | ----- | LSX,QAB2,QAB2/A,QAC2,QAC2/A,QAG,QAG/A,QAH2,QAH2/A,QL2,QWH2,QWH2/A | |
| | | | - | (1) | - | ----- | | |

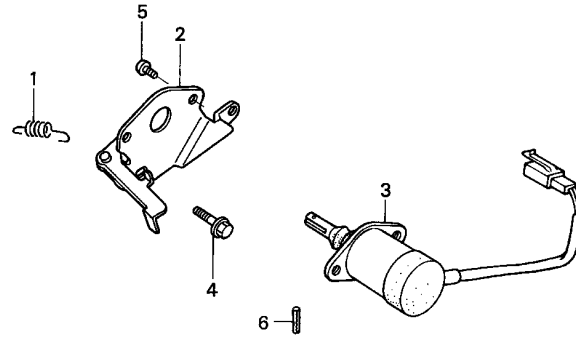




| Ref. No. | L.O.N. | (Relative ref. Number) Description | F.R.T. |
|----------|--------|------------------------------------|--------|
| 1 | 1161A0 | ARM, GOVERNOR | 0.2 |
| 2 | 1161B1 | ROD, GOVERNOR | 0.3 |
| 3 | 1161C5 | SPRING, GOVERNOR | 0.2 |
| 4 | 1161C2 | SPRING, THROTTLE RETURN | 0.3 |
| 5 | 1161A5 | CONTROL, THROTTLE/GOVERNOR ... | 0.2 |
| 8 | 1161B8 | SPRING, CONTROL LEVER RETURN - | 0.1 |

| Ref. No. | Part No. | Description | Reqd. QTY | | | Serial No. | Parts catalogue code |
|----------|----------------|-------------------------------|-----------|-------|-----|------------|----------------------|
| | | | GX | 340K1 | | | |
| | | | (1) | (2) | (3) | | |
| 1 | 16551-ZE3-000 | ARM, GOVERNOR | 1 | - | - | ----- | LWD1,LWD1/A |
| 2 | 16555-ZE3-000 | ROD, GOVERNOR | 1 | - | - | ----- | LWD1,LWD1/A |
| 3 | 16561-ZE3-000 | SPRING, GOVERNOR | 1 | - | - | ----- | LWD1,LWD1/A |
| 4 | 16562-ZE3-000 | SPRING, THROTTLE RETURN | 1 | - | - | ----- | LWD1,LWD1/A |
| 5 | 16570-ZE3-H02 | CONTROL ASSY. | 1 | - | - | ----- | LWD1,LWD1/A |
| 6 | 16576-891-000 | HOLDER, CABLE | 1 | - | - | ----- | LWD1,LWD1/A |
| 7 | 16584-883-300 | SPRING, CONTROL ADJUSTING ... | 1 | - | - | ----- | LWD1,LWD1/A |
| 8 | 16593-ZG1-700 | SPRING, CONTROL LEVER RETURN | 1 | - | - | ----- | LWD1,LWD1/A |
| 9 | 90013-883-000 | BOLT, FLANGE, 6X12(CT200) ... | 2 | - | - | ----- | LWD1,LWD1/A |
| 10 | 90015-ZE5-010 | BOLT, GOVERNOR ARM | 1 | - | - | ----- | LWD1,LWD1/A |
| 11 | 92301-05016-0A | BOLT, RECESSED, 5X16 | 1 | - | - | ----- | LWD1,LWD1/A |
| 12 | 93500-05032-0A | SCREW, PAN, 5X32 | 1 | - | - | ----- | LWD1,LWD1/A |
| 13 | 94050-06000 | NUT, FLANGE, 6MM | 1 | - | - | ----- | LWD1,LWD1/A |

2

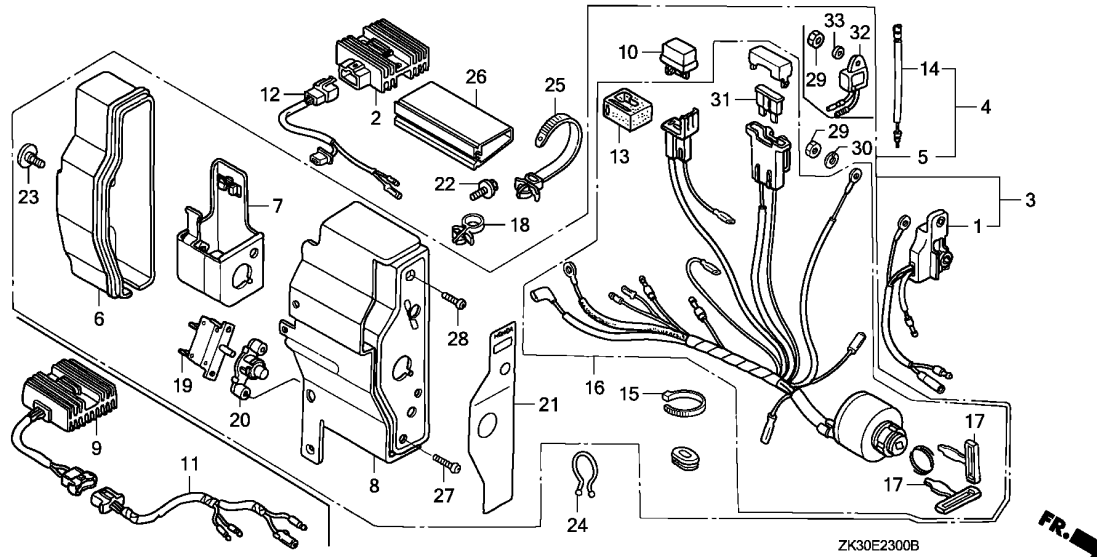


ZK30-E2220A **FR.** →

| Ref. No. | L.O.N. | (Relative ref. Number) Description | F.R.T. |
|----------|--------|------------------------------------|--------|
| 1 | 8101Q9 | SPRING, CHOKE RETURN | 0.1 |
| 2 | 8101H1 | LEVER, THROTTLE | 0.2 |
| 3 | 6211C5 | SOLENOID, AUTO THROTTLE | 0.2 |

| Ref. No. | Part No. | Description | Reqd. QTY | | | Serial No. | Parts catalogue code |
|----------|----------------|-------------------------------|-----------|-----|-----|------------|---|
| | | | (1) | (2) | (3) | | |
| 1 | 16268-893-000 | SPRING, CHOKE RETURN | 1 | - | - | ----- | EDE2,EDE2/A,EDN,EDN2,EDN2/A,EDS,EDS2,EDS2/A,EDS5,EDS6,EDS6/A,EDT EDT/A,EDT6,EDT6/A,ED6,ED6/A,EMT,EMT/A,ENT,ENT/A,ENT2,EN6,EN6/A VC2,VC2/A,VMQ,VMT,VMT/A,VWC,VWE |
| 2 | 17850-ZD1-E30 | LEVER COMP., THROTTLE | 1 | - | - | 2321344 | EDS1 EDE2,EDE2/A,EDN,EDN2,EDN2/A,EDS,EDS2,EDS2/A,EDS5,EDS6,EDS6/A,EDT EDT/A,EDT6,EDT6/A,ED6,ED6/A,EMT,EMT/A,ENT,ENT/A,ENT2,EN6,EN6/A VC2,VC2/A,VMQ,VMT,VMT/A,VWC,VWE |
| 3 | 36160-ZB4-003 | SOLENOID ASSY. | 1 | - | - | 2321344 | EDS1 EDE2,EDE2/A,EDN,EDN2,EDN2/A,EDS,EDS2,EDS2/A,EDS5,EDS6,EDS6/A,EDT EDT/A,EDT6,EDT6/A,ED6,ED6/A,EMT,ENT,ENT/A,ENT2,EN6,EN6/A,VC2 VC2/A,VMT,VWC,VWE |
| | 36160-ZB4-013 | | 1 | - | - | 2321344 | EDS1 |
| | 4082960 | | 1 | - | - | 4082960 | EMT/A,VMQ,VMT/A |
| 4 | 90013-883-000 | BOLT, FLANGE, 6X12(CT200) ... | 1 | - | - | 4082961 | EMT/A,VMQ,VMT/A |
| | | | 1 | - | - | ----- | EDE2,EDE2/A,EDN,EDN2,EDN2/A,EDS,EDS2,EDS2/A,EDS5,EDS6,EDS6/A,EDT EDT/A,EDT6,EDT6/A,ED6,ED6/A,EMT,EMT/A,ENT,ENT/A,ENT2,EN6,EN6/A VC2,VC2/A,VMQ,VMT,VMT/A,VWC,VWE |
| 5 | 93500-05008-0A | SCREW, PAN, 5X8 | 1 | - | - | 2321344 | EDS1 |
| | | | 2 | - | - | ----- | EDE2,EDE2/A,EDN,EDN2,EDN2/A,EDS,EDS2,EDS2/A,EDS5,EDS6,EDS6/A,EDT EDT/A,EDT6,EDT6/A,ED6,ED6/A,EMT,EMT/A,ENT,ENT/A,ENT2,EN6,EN6/A VC2,VC2/A,VMQ,VMT,VMT/A,VWC,VWE |
| | | | 2 | - | - | 2321344 | EDS1 |
| 6 | 94305-20062 | PIN, SPRING, 2X6 | 1 | - | - | ----- | EDE2,EDE2/A,EDN,EDN2,EDN2/A,EDS,EDS2,EDS2/A,EDS5,EDS6,EDS6/A,EDT EDT/A,EDT6,EDT6/A,ED6,ED6/A,EMT,EMT/A,ENT,ENT/A,ENT2,EN6,EN6/A VC2,VC2/A,VMQ,VMT,VMT/A,VWC,VWE |
| | | | 1 | - | - | 2321344 | EDS1 |





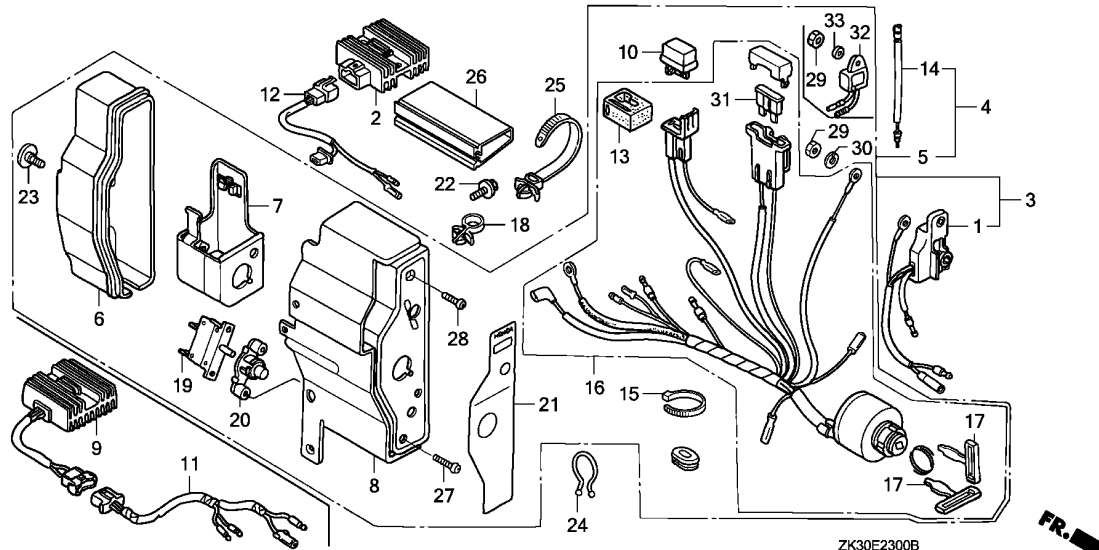
| Ref. No. | L.O.N. | (Relative ref. Number) Description | F.R.T. |
|----------|--------|------------------------------------|--------|
| 1 | | (32) | |
| 1 | 6151K4 | ALERT UNIT, ENGINE CONTROL OIL | 0.2 |
| 2 | 6131B7 | RECTIFIER, REGULATOR | 0.2 |
| 3 | 6221N7 | BOX, ENGINE CONTROL | 0.1 |
| 4 | 6221N7 | BOX, ENGINE CONTROL | 0.1 |
| 8 | 6151K5 | PANEL, ENGINE CONTROL | 0.2 |
| 9 | 6131B7 | RECTIFIER, REGULATOR | 0.2 |
| 10 | 6131B8 | RECTIFIER, SILICON | 0.1 |
| 11 | 6111E6 | HARNESS, REGULATOR RECTIFIER | 0.2 |
| 12 | 6111E6 | HARNESS, REGULATOR RECTIFIER | 0.2 |
| 16 | 6151E1 | SWITCH, COMBINATION | 0.2 |
| 19 | 6221D4 | PROTECTOR, CIRCUIT | 0.2 |
| 31 | 8121A7 | FUSE, BLADE | 0.1 |

| Ref. No. | Part No. | Description | Reqd. QTY | | | Serial No. | Parts catalogue code |
|----------|-----------------|--|-----------|-------|-----|------------|--|
| | | | GX | 340K1 | | | |
| | | | (1) | (2) | (3) | | |
| 1 | 15520-ZE2-822 | ALERT UNIT, OIL (SEL) | 1 | (1) | - | 2143683 | ETS,LKE,LXE,QXE,QXEB,SXE,SXEB,S1,VAAE,VNG2,VXEB |
| 2 | 31600-ZE2-861 | RECTIFIER ASSY., REGULATOR (10A) | 1 | (1) | - | ----- | LKE,LKE/A,QMEO,QMEO/A,QME8,QME8/A,QNE6,SME0,SME0/A,S1,S1/A |
| 3 | 31610-ZE3-W11ZB | BOX ASSY., CONTROL (ALERT) *R8*.....BRIGHT RED | 1 | (1) | - | 2143683 | LXE,QXE,QXEB,SXE,SXEB,S1,VAAE,VXEB |
| | 31610-ZE3-W11ZC | *T39*.....GEKO BLUE | 1 | - | - | 2143683 | VXEB |
| | 31610-ZE3-W21ZB | BOX ASSY., CONTROL (ALERT) (3A) *R8*.....BRIGHT RED | - | (1) | - | 2143683 | S1 |
| | 31610-ZE3-W21ZC | *T39*.....GEKO BLUE | 1 | - | - | 2143683 | VNG2 |
| | 31610-ZE3-W31ZB | BOX ASSY., CONTROL (ALERT) (10A) *R8*.....BRIGHT RED | 1 | (1) | - | 2143683 | LKE,S1 |
| 4 | 31610-ZE3-W12ZB | BOX ASSY., CONTROL *R8*.....BRIGHT RED | 1 | (1) | - | ----- | S1/A,VXE6 |
| | | | 1 | (1) | - | 2143684 | ----- QXEB,S1,VAAE |
| | | | 1 | - | - | 2801237 | LXE6,QXE6,VXU1 |
| | | | 1 | - | - | 2143684 | 2337496 SXEB,VXEB |
| | | | 1 | - | - | 2143684 | 2801237 LXE,QXE,SXE |
| | | | 1 | - | - | 2143684 | 2337496 VXEB |
| | 31610-ZE3-W12ZC | *T39*.....GEKO BLUE | 1 | - | - | 2143684 | 2337496 VXEB |
| | 31610-ZE3-W22ZB | BOX ASSY., CONTROL (3A) *R8*.....BRIGHT RED | 1 | - | - | 2801237 | QAE6 |
| | | | - | (1) | - | ----- | S1/A |
| | | | - | (1) | - | 2143684 | ----- S1 |
| | 31610-ZE3-W22ZC | *T39*.....GEKO BLUE | 1 | - | - | 2143684 | 2337496 VNG2 |
| | 31610-ZE3-W32ZB | BOX ASSY., CONTROL (10A) *R8*.....BRIGHT RED | 1 | (1) | - | ----- | QNE6,S1/A |
| | | | 1 | - | - | 2143684 | 2398544 LKE |
| | | | - | (1) | - | 2143684 | ----- S1 |

2

| Ref. No. | Part No. | Description | Reqd. QTY | | | Serial No. | Parts catalogue code |
|----------|-----------------|--------------------------------------|-----------|-----|-----|------------|---|
| | | | (1) | (2) | (3) | | |
| (4) | 31610-ZE3-W41ZB | BOX ASSY., CONTROL (18A) | | | | | |
| | | *R8*.....BRIGHT RED | 1 | - | - | 2801237 | QNR6 |
| | 31610-ZE3-W13ZB | BOX ASSY., CONTROL (ALERT) | | | | | |
| | | *R8*.....BRIGHT RED | 1 | - | - | | LXE8,PXE8,QXE8,SXE8,VMT,VXE8 |
| | | | 1 | - | - | 2801238 | LXE,LXE6,QXE,QXE6,SXE,VXU1 |
| | | | 1 | - | - | 3662261 | LXE/A,LXE8/A,PXE8/A,QXE/A,QXE6/A,QXE8/A,SXE/A,SXE8/A,VMT/A,VXE8/A VXU1/A |
| | 31610-ZE3-W23ZB | BOX ASSY., CONTROL (ALERT) (3A) | | | | | |
| | | *R8*.....BRIGHT RED | 1 | - | - | 2801238 | QAE6 |
| | | | 1 | - | - | 3667984 | QAE6/A |
| | 31610-ZE3-W33ZB | BOX ASSY., CONTROL (EXP-ALERT) (10A) | | | | | |
| | | *R8*.....BRIGHT RED | 1 | - | - | | QME8 |
| | | | 1 | - | - | 3690533 | QME8/A |
| | 31610-ZE3-W42ZB | BOX ASSY., CONTROL (EXP-ALERT) (18A) | | | | | |
| | | *R8*.....BRIGHT RED | 1 | - | - | 2801238 | QNR6 |
| | | | 1 | - | - | 3675839 | QNR6/A |
| | 31610-ZF6-W41ZA | BOX ASSY., CONTROL (ALERT) | | | | | |
| | | *R8*.....BRIGHT RED | 1 | - | - | | VEB6 |
| | | | 1 | - | - | 2801237 | LXE4,QXE4,SXE4,VXE4 |
| | | | 1 | - | - | 2337497 | SXEB,VXEB |
| | | | 1 | - | - | 2398545 | 2566230 LKE |
| | 31610-ZF6-W41ZB | *T39*.....GEKO BLUE | 1 | - | - | 2801237 | VXE4 |
| | | | 1 | - | - | 2337497 | 2801237 VXEB |
| | 31610-ZF6-W51ZB | BOX ASSY., CONTROL (ALERT) (3A) | | | | | |
| | | *T39*.....GEKO BLUE | 1 | - | - | 2337497 | VNG2 |
| | 31610-ZE3-W13ZE | BOX ASSY., CONTROL | | | | | |
| | | *R280*.....POWER RED | 1 | - | - | | VMQ |
| | | | 1 | - | - | 3662262 | LXE/A,LXE8/A,PXE8/A,QXE/A,QXE6/A,QXE8/A,SXE/A,SXE8/A,VMT/A,VXE8/A VXU1/A |
| | 31610-ZE3-W23ZD | BOX ASSY., CONTROL (EXP-ALERT) (3A) | | | | | |
| | | *R280*.....POWER RED | 1 | - | - | 3667985 | QAE6/A |
| | 31610-ZE3-W33ZD | BOX ASSY., CONTROL (EXP-ALERT) (10A) | | | | | |
| | | *R280*.....POWER RED | 1 | - | - | 3690534 | QME8/A |
| | 31610-ZE3-W42ZD | BOX ASSY., CONTROL (EXP-ALERT) (18A) | | | | | |
| | | *R280*.....POWER RED | 1 | - | - | 3675840 | QNR6/A |
| | 31610-ZF6-W42ZA | BOX ASSY., CONTROL (ALERT) | | | | | |
| | | *R8*.....BRIGHT RED | 1 | - | - | | VXE7 |
| | | | 1 | - | - | 2801238 | LXE4,QXE4,SXEB,SXE4,VXEB,VXE4 |
| | | | 1 | - | - | 3664509 | LXE4/A,QXE4/A,SXEB/A,SXE4/A,VXEB/A,VXE7/A |
| | 31610-ZF6-W42ZB | *T39*.....GEKO BLUE | 1 | - | - | | VXEB/A |
| | | | 1 | - | - | 2801238 | VXEB,VXE4 |
| | | | 1 | - | - | | VXE7,VXE7/A |
| | 31610-ZF6-W42ZC | *NH105*...MAT BLACK (#15-#20) | | | | | |
| | 31610-ZK6-W41ZA | BOX ASSY., CONTROL (10A) | | | | | |
| | | *NH1*.....BLACK | 1 | - | - | 2801237 | QME0,SMEO |
| | 31610-ZK6-W41ZB | *R8*.....BRIGHT RED | 1 | - | - | 2801237 | QME0,SMEO |
| | | | 1 | - | - | 2566231 | 2801237 LKE |
| | 31610-ZF6-W42ZE | BOX ASSY., CONTROL (EXP-ALERT) | | | | | |
| | | *R280*.....POWER RED | 1 | - | - | 3664510 | LXE4/A,QXE4/A,SXEB/A,SXE4/A,VXEB/A,VXE7/A |
| | 31610-ZK6-W42ZA | BOX ASSY., CONTROL (ALERT) (10A) | | | | | |
| | | *NH1*.....BLACK | 1 | - | - | | QME0/A,SMEO/A |
| | | | 1 | - | - | 2801238 | QME0,SMEO |

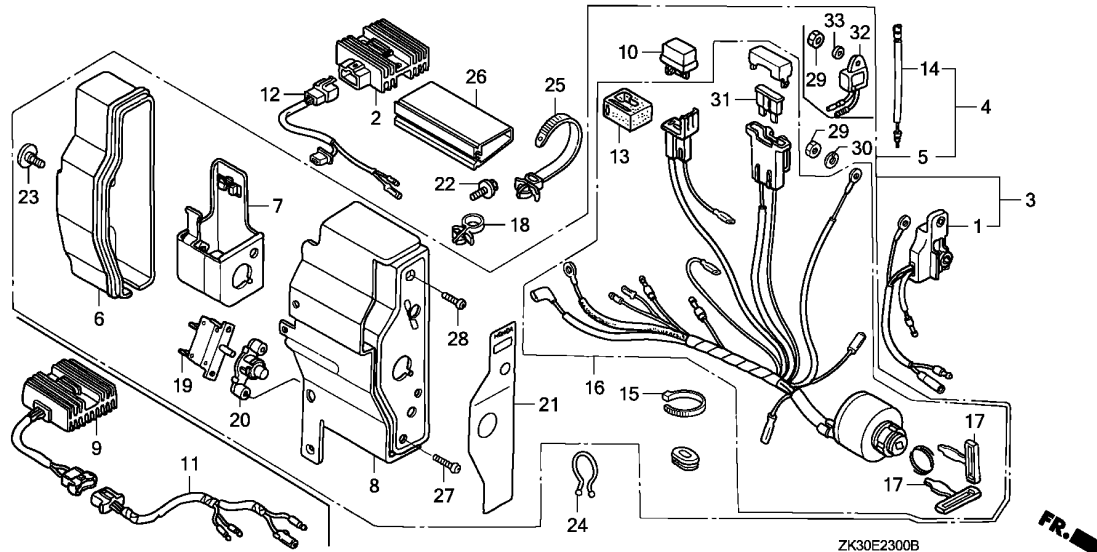




| Ref. No. | Part No. | Description | Reqd. QTY | | | Serial No. | Parts catalogue code |
|----------|-----------------|---|-----------|-----|-----|------------|---|
| | | | GX | (1) | (2) | | |
| (4) | 31610-ZK6-W42ZB | BOX ASSY., CONTROL (ALERT) (10A) *R8*.....BRIGHT RED | 1 | - | - | 2801238 | ----- LKE,QMEO,SMEO 3682105 LKE/A,QMEO/A,SMEO/A |
| | 31610-ZK6-W42ZC | BOX ASSY., CONTROL (EXP-ALERT) (10A) *R280*.....POWER RED | 1 | - | - | 3682106 | ----- LKE/A,QMEO/A,SMEO/A |
| 5 | 31610-ZE3-812ZB | BOX ASSY., CONTROL *R8*.....BRIGHT RED | 1 | (1) | - | - | ----- LHE,QHE,SHEZ,S1,VHE 3662149 ED7,LHE/A,QHE/A,SHE,S1/A |
| | 31610-ZE3-842ZB | BOX ASSY., CONTROL (ALERT) (3A) *R8*.....BRIGHT RED | - | (1) | - | - | ----- S1,S1/A |
| | 31610-ZE3-862ZB | BOX ASSY., CONTROL (10A) *R8*.....BRIGHT RED | - | (1) | - | - | ----- S1,S1/A |
| | 31610-ZE3-812ZD | BOX ASSY., CONTROL *R280*.....POWER RED | 1 | 1 | - | 3662150 | ----- ED7,LHE/A,QHE/A,SHE,S1/A |
| 6 | 31612-ZE2-003 | CASE, CONTROL | 1 | (1) | - | - | ----- ED7,LHE,LHE/A,LKE,LKE/A,LXE,LXE/A,LXE4,LXE4/A,LXE6,LXE8,LXE8/A PXE8,PXE8/A,QAE6,QAE6/A,QHE,QHE/A,QMEO,QMEO/A,QME8,QME8/A,QNE6 QNR6,QNR6/A,QXE,QXE/A,QXEB,QXE4,QXE4/A,QXE6,QXE6/A,QXE8,QXE8/A SHE,SHEZ,SMEO,SMEO/A,SXE,SXE/A,SXEB,SXEB/A,SXE4,SXE4/A,SXE8 SXE8/A,S1,S1/A,VAAE,VEB6,VHE,VMQ,VMT,VMT/A,VNG2,VXEB,VXEB/A,VXE4 VXE6,VXE7,VXE7/A,VXE8,VXE8/A,VXU1,VXU1/A |
| 7 | 31614-ZE2-003 | BRACKET, CASE MOUNTING | 1 | (1) | - | - | ----- ED7,ETS,LHE,LHE/A,LKE,LKE/A,LXE,LXE/A,LXE4,LXE4/A,LXE6,LXE8 LXE8/A,PXE8,PXE8/A,QAE6,QAE6/A,QHE,QHE/A,QMEO,QMEO/A,QME8,QME8/A QNE6,QNR6,QNR6/A,QXE,QXE/A,QXEB,QXE4,QXE4/A,QXE6,QXE6/A,QXE8 QXE8/A,SHE,SHEZ,SMEO,SMEO/A,SXE,SXE/A,SXEB,SXEB/A,SXE4,SXE4/A SXE8,SXE8/A,S1,S1/A,VAAE,VEB6,VHE,VMQ,VMT,VMT/A,VNG2,VXEB,VXEB/A VXE4,VXE6,VXE7,VXE7/A,VXE8,VXE8/A,VXU1,VXU1/A |

| Ref. No. | Part No. | Description | Reqd. QTY | | | Serial No. | Parts catalogue code |
|----------|-----------------|---|-----------|-----|-----|-----------------|---|
| | | | GX | (1) | (2) | | |
| 8 | 31615-ZE3-003ZA | PANEL COMP., CONTROL | | | | | |
| | | *NH1*.....BLACK | 1 | - | - | ----- | QME0,QME0/A,SME0,SME0/A |
| | 31615-ZE3-003ZB | *R8*.....BRIGHT RED | 1 | (1) | - | ----- | ED7,LHE,LKE,LXE,LXE4,LXE6,LXE8,PXE8,QAE6,QHE,QME0,QME8,QNE6,QNR6 QXE,QXEB,QXE4,QXE6,QXE8,SHE,SHEZ,SME0,SXE,SXEB,SXE4,SXE8,S1,VAAE VEB6,VHE,VMT,VXEB,VXE4,VXE6,VXE7,VXE8,VXU1 |
| | | | 1 | (1) | - | 3662149 | LHE/A,LKE/A,LXE/A,LXE4/A,LXE8/A,PXE8/A,QAE6/A,QME0/A,QME8/A QNR6/A,QXE/A,QXE4/A,QXE6/A,QXE8/A,SME0/A,SXE/A,SXEB/A,SXE4/A SXE8/A,S1/A,VMT/A,VXEB/A,VXE7/A,VXE8/A,VXU1/A |
| | 31615-ZE3-003ZC | *T39*.....GEKO BLUE | 1 | - | - | ----- | VNG2,VXEB,VXEB/A,VXE4 |
| | 31615-ZE3-003ZD | *NH105*...MAT BLACK (#15-#20) | 1 | - | - | ----- | VXE7,VXE7/A |
| | 31615-ZE3-003ZE | *R280*.....POWER RED | 1 | (1) | - | 3662150 | LHE/A,LKE/A,LXE/A,LXE4/A,LXE8/A,PXE8/A,QAE6/A,QME0/A,QME8/A QNR6/A,QXE/A,QXE4/A,QXE6/A,QXE8/A,SME0/A,SXE/A,SXEB/A,SXE4/A SXE8/A,S1/A,VMT/A,VXEB/A,VXE7/A,VXE8/A,VXU1/A |
| | | | 1 | - | - | ----- | QHE/A,VMQ |
| 9 | 31620-ZG5-003 | RECTIFIER ASSY., REGULATOR (20A) | 1 | - | - | ----- | QAH2,QNR6 |
| | 31620-ZG5-013 | | 1 | - | - | ----- | QAH2/A,QNR6/A |
| 10 | 31700-124-008 | RECTIFIER ASSY., SILICON (SHINDENGEN) | 1 | (1) | - | ----- | ED7,ETS,LHE,LHE/A,LXE,LXE/A,LXE4,LXE4/A,LXE6,LXE8,LXE8/A,PXE8 PXE8/A,QAE6,QAE6/A,QHE,QHE/A,QXE,QXE/A,QXEB,QXE4,QXE4/A,QXE6 QXE6/A,QXE8,QXE8/A,SHE,SHEZ,SXE,SXE/A,SXEB,SXEB/A,SXE4,SXE4/A SXE8,SXE8/A,S1,S1/A,VAAE,VEB6,VHE,VMQ,VMT,VMT/A,VNG2,VXEB,VXEB/A VXE4,VXE6,VXE7,VXE7/A,VXE8,VXE8/A,VXU1,VXU1/A |
| | | | 1 | - | - | 2398545 2566230 | LKE |
| 11 | 32110-ZE2-W00 | HARNESS ASSY., SUB WIRE | 1 | - | - | ----- | QAH2,QAH2/A,QNR6,QNR6/A |
| 12 | 32110-ZE2-860 | HARNESS ASSY., SUB WIRE | 1 | (1) | - | ----- | LKE,LKE/A,QME0,QME0/A,QME8,QME8/A,QNE6,SME0,SME0/A,S1,S1/A |
| 13 | 32127-738-700 | SUSPENSION, COUPLER | 1 | (1) | - | ----- | ED7,ETS,LHE,LHE/A,LXE,LXE/A,LXE4,LXE4/A,LXE6,LXE8,LXE8/A,PXE8 PXE8/A,QAE6,QAE6/A,QHE,QHE/A,QXE,QXE/A,QXEB,QXE4,QXE4/A,QXE6 QXE6/A,QXE8,QXE8/A,SHE,SHEZ,SXE,SXE/A,SXEB,SXEB/A,SXE4,SXE4/A SXE8,SXE8/A,S1,S1/A,VAAE,VEB6,VHE,VMQ,VMT,VMT/A,VNG2,VXEB,VXEB/A VXE4,VXE6,VXE7,VXE7/A,VXE8,VXE8/A,VXU1,VXU1/A |
| | | | 1 | - | - | 2398545 2566230 | LKE |
| 14 | 32197-ZE1-003 | SUB HARNESS | 1 | (1) | - | ----- | LKE/A,LXE/A,LXE4,LXE4/A,LXE6,LXE8,LXE8/A,PXE8,PXE8/A,QAE6,QAE6/A QME0,QME0/A,QME8,QME8/A,QNE6,QNR6,QNR6/A,QXE/A,QXE4,QXE4/A,QXE6 QXE6/A,QXE8,QXE8/A,SME0,SME0/A,SXE/A,SXEB/A,SXE4,SXE4/A,SXE8 SXE8/A,S1/A,VEB6,VMQ,VMT,VMT/A,VXEB/A,VXE4,VXE6,VXE7,VXE7/A,VXE8 VXE8/A,VXU1,VXU1/A |
| | | | 1 | (1) | - | 2143684 | LKE,LXE,QXE,QXEB,SXE,SXEB,S1,VAAE,VNG2,VXEB |
| 15 | 32902-892-003 | BAND | 1 | (1) | - | ----- | ED7,LHE,LHE/A,LKE,LKE/A,LXE,LXE/A,LXE4,LXE4/A,LXE6,LXE8,LXE8/A PXE8,PXE8/A,QAE6,QAE6/A,QHE,QHE/A,QME0,QME0/A,QME8,QME8/A,QNE6 QNR6,QNR6/A,QXE,QXE/A,QXEB,QXE4,QXE4/A,QXE6,QXE6/A,QXE8,QXE8/A SHE,SHEZ,SME0,SME0/A,SXE,SXE/A,SXEB,SXEB/A,SXE4,SXE4/A,SXE8 SXE8/A,S1,S1/A,VAAE,VEB6,VHE,VMQ,VMT,VMT/A,VNG2,VXEB,VXEB/A,VXE4 VXE6,VXE7,VXE7/A,VXE8,VXE8/A,VXU1,VXU1/A |
| 16 | 35100-ZE2-W01 | SWITCH ASSY., COMBINATION (18A-CHARGE) | 1 | - | - | ----- | QNR6,QNR6/A |
| | 35100-ZE2-023 | SWITCH ASSY., COMBINATION ... | 1 | (1) | - | ----- | ED7,ETS,LHE,LHE/A,LXE,LXE4,LXE4/A,LXE6,LXE8,LXE8/A,PXE8,PXE8/A QHE,QHE/A,QXE,QXEB,QXE4,QXE4/A,QXE6,QXE6/A,QXE8,QXE8/A,SHE,SHEZ SXE,SXEB,SXEB/A,SXE4,SXE4/A,SXE8,SXE8/A,S1,VAAE,VEB6,VHE,VMT,VXEB VXEB/A,VXE4,VXE6,VXE7,VXE7/A,VXE8,VXE8/A,VXU1,VXU1/A |
| | | | 1 | (1) | - | 4077286 | LXE/A,QXE/A,SXE/A,S1/A,VMQ,VMT/A |
| | | | 1 | - | - | 2398545 2566230 | LKE |
| | 35100-ZE2-842 | SWITCH ASSY., COMBINATION (3A-CHARGE) | 1 | (1) | - | ----- | QAE6,QAE6/A,S1,VNG2 |





ZK30E2300B

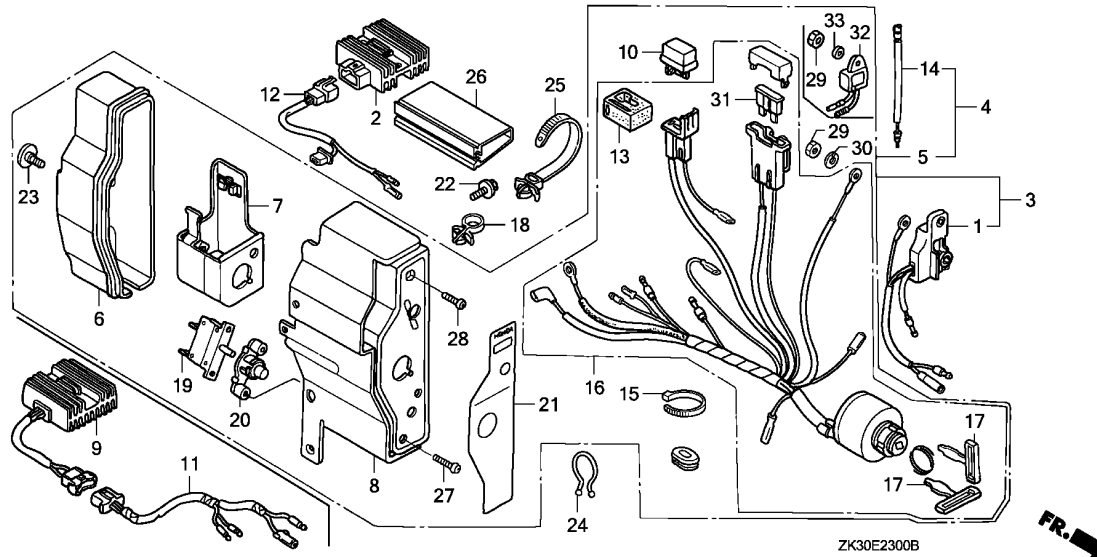
FR. →

| Ref. No. | Part No. | Description | Reqd. QTY | | | Serial No. | Parts catalogue code |
|----------|---------------|---|-----------|-----|-----|------------|---|
| | | | GX | (1) | (2) | | |
| 16) | 35100-ZE2-862 | SWITCH ASSY., COMBINATION (10A-CHARGE) | 1 | (1) | - | ----- | QME0,QME0/A,QME8,QME8/A,QNE6,SMEO,SMEO/A,S1,S1/A |
| | 35100-ZE2-033 | SWITCH ASSY., COMBINATION ... | 1 | (1) | - | 2398544 | LKE |
| | 35100-ZE2-843 | SWITCH ASSY., COMBINATION (3A-CHARGE) | - | (1) | - | 4077287 | LXE/A,QXE/A,SXE/A,S1/A,VMQ,VMT/A |
| | 35100-ZE2-862 | SWITCH ASSY., COMBINATION (10A-CHARGE) | 1 | - | - | ----- | S1/A |
| | | | 1 | - | - | ----- | LKE/A |
| 17 | 35111-880-003 | KEY COMP. | 1 | - | - | 2566231 | LKE |
| | | | 2 | (2) | - | ----- | ETS,LHE,LKE,LXE,LXE4,LXE8,PXE8,QAE6,QHE,QME0,QME8,QNE6,QNR6,QXE QXEB,QXE4,QXE6,QXE8,SHEZ,SMEO,SXE,SXEB,SXE4,SXE8,S1,VAAE,VEB6,VHE VMT,VNG2,VXEB,VXE6,VXE7,VXE8,VXU1 |
| | | | 2 | (2) | - | 3792398 | LHE/A,LKE/A,LXE/A,LXE4/A,LXE8/A,PXE8/A,QAE6/A,QHE/A,QME0/A,QME8/A QNR6/A,QXE/A,QXE4/A,QXE6/A,QXE8/A,SMEO/A,SXE/A,SXEB/A,SXE4/A SXEB/A,S1/A,VMT/A,VXEB/A,VXE7/A,VXE8/A,VXU1/A |
| | | | 2 | - | - | ----- | ED7,LXE6,SHE,VXE4 |
| | 35111-880-013 | | 2 | (2) | - | 3792399 | LHE/A,LKE/A,LXE/A,LXE4/A,LXE8/A,PXE8/A,QAE6/A,QHE/A,QME0/A,QME8/A QNR6/A,QXE/A,QXE4/A,QXE6/A,QXE8/A,SMEO/A,SXE/A,SXEB/A,SXE4/A SXEB/A,S1/A,VMT/A,VXEB/A,VXE7/A,VXE8/A,VXU1/A |
| | | | 2 | - | - | ----- | VMQ |
| | | | 2 | - | - | 3838383 | ED7,LXE6,SHE,VXE4 |
| 18 | 36103-ZE1-000 | HOLDER, STOP SWITCH CORD | 1 | (1) | - | ----- | ED7,LHE,LHE/A,LKE,LKE/A,LXE,LXE/A,LXE4,LXE4/A,LXE6,LXE8,LXE8/A PXE8,PXE8/A,QAE6,QAE6/A,QHE,QHE/A,QME0,QME0/A,QME8,QME8/A,QNE6 QNR6,QNR6/A,QXE,QXE/A,QXEB,QXE4,QXE4/A,QXE6,QXE6/A,QXE8,QXE8/A SHE,SHEZ,SMEO,SMEO/A,SXE,SXE/A,SXEB,SXEB/A,SXE4,SXE4/A,SXE8 SXEB/A,S1,S1/A,VAAE,VEB6,VHE,VMQ,VMT,VMT/A,VNG2,VXEB,VXEB/A,VXE4 VXE6,VXE7,VXE7/A,VXE8,VXE8/A,VXU1,VXU1/A |

2

| Ref. No. | Part No. | Description | Reqd. QTY | | | Serial No. | Parts catalogue code | |
|----------|---------------|--|-----------|-----|-----|------------|--|---|
| | | | (1) | (2) | (3) | | | |
| 19 | 38240-VA3-900 | PROTECTOR, CIRCUIT (1.0A) ... | 1 | (1) | - | ----- | ED7,ETS,LHE,LHE/A,LXE,LXE/A,LXE4,LXE4/A,LXE6,LXE8,LXE8/A,PXE8 PXE8/A,QHE,QHE/A,QXE,QXE/A,QXEB,QXE4,QXE4/A,QXE6,QXE6/A,QXE8 QXE8/A,SHE,SHEZ,SXE,SXE/A,SXEB,SXEB/A,SXE4,SXE4/A,SXE8,SXE8/A,S1 S1/A,VAAE,VEB6,VHE,VMQ,VMT,VMT/A,VXEB,VXEB/A,VXE4,VXE6,VXE7 VXE7/A,VXE8,VXE8/A,VXU1,VXU1/A | |
| | 38240-ZE2-840 | PROTECTOR, CIRCUIT (3.5A) ... | 1 | - | - | 2398545 | 2566230 | LKE QAE6,QAE6/A,S1,S1/A,VNG2 |
| 20 | 38250-ZA8-701 | LENS ASSY., PROTECTOR | 1 | (1) | - | ----- | ----- | ED7,ETS,LHE,LHE/A,LXE,LXE/A,LXE4,LXE4/A,LXE6,LXE8,LXE8/A,PXE8 PXE8/A,QAE6,QAE6/A,QHE,QHE/A,QXE,QXE/A,QXEB,QXE4,QXE4/A,QXE6 QXE6/A,QXE8,QXE8/A,SHE,SHEZ,SXE,SXE/A,SXEB,SXEB/A,SXE4,SXE4/A SXE8,SXE8/A,S1,S1/A,VAAE,VEB6,VHE,VMQ,VMT,VMT/A,VNG2,VXEB,VXEB/A VXE4,VXE6,VXE7,VXE7/A,VXE8,VXE8/A,VXU1,VXU1/A |
| | | | 1 | - | - | 2398545 | 2566230 | LKE |
| 21 | 87529-ZE2-831 | PANEL, CONTROL BOX (EXTERNAL-ALERT) | 1 | (1) | - | ----- | 2143683 | LXE,QXE,QXEB,SXE,SXEB,S1,VAAE,VNG2,VXEB |
| | 87529-ZE2-870 | MARK, CONTROL BOX (EXTERNAL-ALERT)(REGULATOR) | 1 | (1) | - | ----- | 2143683 | LKE,S1 |
| | 87529-ZE2-811 | MARK, CONTROL BOX (EXTERNAL) | 1 | (1) | - | ----- | ----- | ED7,LHE,LXE6,LXE8,PXE8,QAE6,QHE,QXE6,QXE8,SHE,SHEZ,SXE8,S1,VHE VMT,VXE6,VXE8,VXU1 |
| | | | 1 | (1) | - | ----- | 3723964 | LHE/A,LXE/A,LXE8/A,PXE8/A,QAE6/A,QHE/A,QXE/A,QXE6/A,QXE8/A,SXE/A SXE8/A,S1/A,VMT/A,VXE8/A,VXU1/A |
| | | | 1 | - | - | 2143684 | ----- | LXE,QXE,QXEB,SXE,VAAE |
| | | | 1 | - | - | 2143684 | 2337496 | SXEB,VNG2,VXEB |
| | 87529-ZE2-860 | MARK, CONTROL BOX (EXTERNAL-REGULATOR) | 1 | (1) | - | ----- | ----- | QME8,QNE6,QNR6,S1 |
| | | | 1 | (1) | - | ----- | 3724889 | QME8/A,QNR6/A,S1/A |
| | | | 1 | - | - | 2143684 | 2398544 | LKE |
| | 87529-ZE2-812 | MARK, CONTROL BOX (EXP) | 1 | (1) | - | 3723965 | ----- | LHE/A,LXE/A,LXE8/A,PXE8/A,QAE6/A,QHE/A,QXE/A,QXE6/A,QXE8/A,SXE/A SXE8/A,S1/A,VMT/A,VXE8/A,VXU1/A |
| | | | 1 | - | - | ----- | ----- | VMQ |
| | 87529-ZE2-861 | MARK, CONTROL BOX (EXTERNAL-REGULATOR) | 1 | (1) | - | 3724890 | ----- | QME8/A,QNR6/A,S1/A |
| | 87529-ZH9-W40 | MARK, CONTROL BOX (ENGLISH) . | 1 | - | - | ----- | ----- | LXE4,QXE4,SXE4,VEB6,VXE4,VXE7 |
| | | | 1 | - | - | 2337497 | ----- | SXEB,VNG2,VXEB |
| | | | 1 | - | - | ----- | 3746667 | LXE4/A,QXE4/A,SXEB/A,SXE4/A,VXEB/A,VXE7/A |
| | | | 1 | - | - | 2398545 | 2566230 | LKE |
| | 87529-ZH8-W40 | | 1 | - | - | ----- | ----- | QME0,SMEO |
| | | | 1 | - | - | 2566231 | ----- | LKE |
| | | | 1 | - | - | ----- | 3746683 | LKE/A,QME0/A,SMEO/A |
| | 87529-ZH9-W41 | | 1 | - | - | 3746668 | ----- | LXE4/A,QXE4/A,SXEB/A,SXE4/A,VXEB/A,VXE7/A |
| | 87529-ZH8-W41 | | 1 | - | - | 3746684 | ----- | LKE/A,QME0/A,SMEO/A |
| 22 | 90013-883-000 | BOLT, FLANGE, 6X12(CT200) ... | 2 | (2) | - | ----- | ----- | ED7,LHE,LHE/A,LKE,LKE/A,LXE,LXE/A,LXE4,LXE4/A,LXE6,LXE8,LXE8/A PXE8,PXE8/A,QAE6,QAE6/A,QHE,QHE/A,QME0,QME0/A,QME8,QME8/A,QNE6 QNR6,QNR6/A,QXE,QXE/A,QXEB,QXE4,QXE4/A,QXE6,QXE6/A,QXE8,QXE8/A SHE,SHEZ,SMEO,SMEO/A,SXE,SXE/A,SXEB,SXEB/A,SXE4,SXE4/A,SXE8 SXE8/A,S1,S1/A,VAAE,VEB6,VHE,VMQ,VMT,VMT/A,VNG2,VXEB,VXEB/A,VXE4 VXE6,VXE7,VXE7/A,VXE8,VXE8/A,VXU1,VXU1/A |
| 23 | 90380-MA6-010 | SCREW, SPECIAL, 6X12 | 1 | (1) | - | ----- | ----- | ED7,LHE,LHE/A,LKE,LKE/A,LXE,LXE/A,LXE4,LXE4/A,LXE6,LXE8,LXE8/A PXE8,PXE8/A,QAE6,QAE6/A,QHE,QHE/A,QME0,QME0/A,QME8,QME8/A,QNE6 QNR6,QNR6/A,QXE,QXE/A,QXEB,QXE4,QXE4/A,QXE6,QXE6/A,QXE8,QXE8/A SHE,SHEZ,SMEO,SMEO/A,SXE,SXE/A,SXEB,SXEB/A,SXE4,SXE4/A,SXE8 SXE8/A,S1,S1/A,VAAE,VEB6,VHE,VMQ,VMT,VMT/A,VNG2,VXEB,VXEB/A,VXE4 VXE6,VXE7,VXE7/A,VXE8,VXE8/A,VXU1,VXU1/A |





| Ref. No. | Part No. | Description | Reqd. QTY | | | Serial No. | Parts catalogue code |
|----------|----------------|-------------------------------|-----------|-------|-----|-----------------|---|
| | | | GX | 340K1 | | | |
| | | | (1) | (2) | (3) | | |
| 24 | 90630-751-000 | CLIP, PURSE LOCK | 1 | (1) | - | ----- | ED7,LHE,LHE/A,LKE,LKE/A,LXE,LXE/A,LXE4,LXE4/A,LXE6,LXE8,LXE8/A PXE8,PXE8/A,QAE6,QAE6/A,QHE,QHE/A,QME0,QME0/A,QME8,QME8/A,QNE6 QNR6,QNR6/A,QXE,QXE/A,QXEB,QXE4,QXE4/A,QXE6,QXE6/A,QXE8,QXE8/A SHE,SHEZ,SMEO,SMEO/A,SXE,SXE/A,SXEB,SXEB/A,SXE4,SXE4/A,SXE8 SXE8/A,S1,S1/A,VAAE,VEB6,VHE,VMQ,VMT,VMT/A,VNG2,VXEB,VXEB/A,VXE4 VXE6,VXE7,VXE7/A,VXE8,VXE8/A,VXU1,VXU1/A |
| 25 | 90672-SA0-003 | STRAP, CABLE, 118MM(BLACK) .. | 1 | (1) | - | ----- | ED7,LHE,LHE/A,LKE,LKE/A,LXE,LXE/A,LXE4,LXE4/A,LXE6,LXE8,LXE8/A PXE8,PXE8/A,QAE6,QAE6/A,QHE,QHE/A,QME0,QME0/A,QME8,QME8/A,QNE6 QNR6,QNR6/A,QXE,QXE/A,QXEB,QXE4,QXE4/A,QXE6,QXE6/A,QXE8,QXE8/A SHE,SHEZ,SMEO,SMEO/A,SXE,SXE/A,SXEB,SXEB/A,SXE4,SXE4/A,SXE8 SXE8/A,S1,S1/A,VAAE,VEB6,VHE,VMQ,VMT,VMT/A,VNG2,VXEB,VXEB/A,VXE4 VXE6,VXE7,VXE7/A,VXE8,VXE8/A,VXU1,VXU1/A |
| 26 | 91406-ZE2-003 | TUBE, FASTENER, 30MM | 1 | (1) | - | ----- | ED7,LHE,LHE/A,LKE,LKE/A,LXE,LXE/A,LXE4,LXE4/A,LXE6,LXE8,LXE8/A PXE8,PXE8/A,QAE6,QAE6/A,QHE,QHE/A,QME0,QME0/A,QME8,QME8/A,QNE6 QNR6,QNR6/A,QXE,QXE/A,QXEB,QXE4,QXE4/A,QXE6,QXE6/A,QXE8,QXE8/A SHE,SHEZ,SMEO,SMEO/A,SXE,SXE/A,SXEB,SXEB/A,SXE4,SXE4/A,SXE8 SXE8/A,S1,S1/A,VAAE,VEB6,VHE,VMQ,VMT,VMT/A,VNG2,VXEB,VXEB/A,VXE4 VXE6,VXE7,VXE7/A,VXE8,VXE8/A,VXU1,VXU1/A |
| 27 | 93500-03012-0H | SCREW, PAN, 3X12 | 2 | (2) | - | ----- | ED7,LHE,LHE/A,LXE,LXE/A,LXE4,LXE4/A,LXE6,LXE8,LXE8/A,PXE8,PXE8/A QAE6,QAE6/A,QHE,QHE/A,QXE,QXE/A,QXEB,QXE4,QXE4/A,QXE6,QXE6/A,QXE8 QXE8/A,SHE,SHEZ,SXE,SXE/A,SXEB,SXEB/A,SXE4,SXE4/A,SXE8,SXE8/A,S1 S1/A,VAAE,VEB6,VHE,VMQ,VMT,VMT/A,VNG2,VXEB,VXEB/A,VXE4,VXE6,VXE7 VXE7/A,VXE8,VXE8/A,VXU1,VXU1/A |
| | | | 2 | - | - | 2398545 2566230 | LKE |



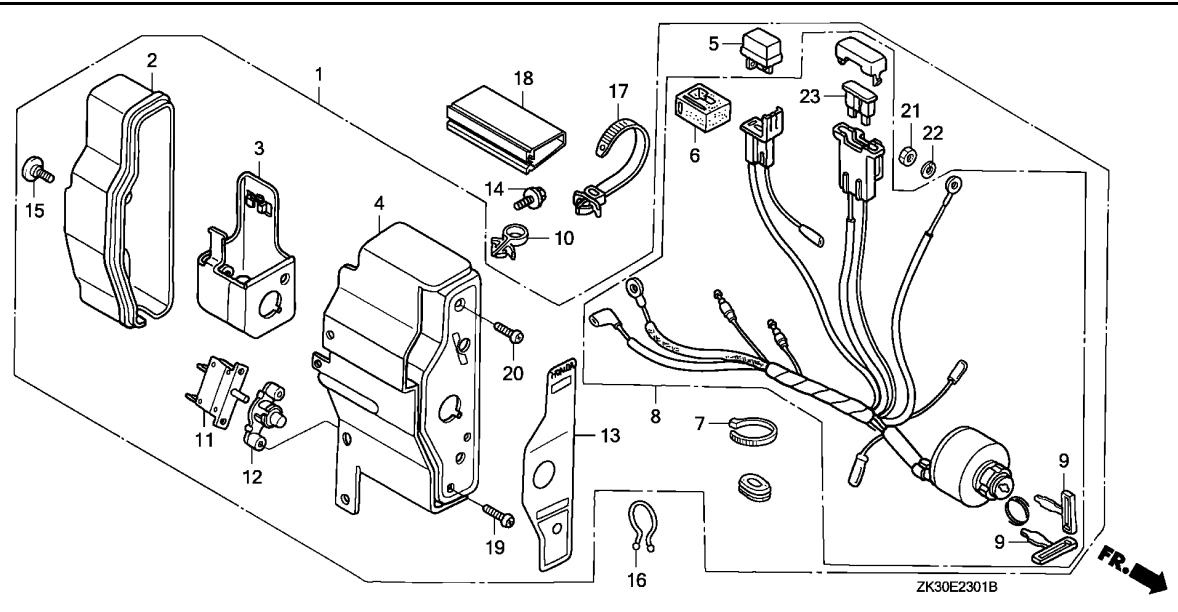
| Ref. No. | Part No. | Description | Reqd. QTY | | | Serial No. | Parts catalogue code |
|-------------|-------------------------|---------------------------|-----------|-----|---------|------------|---|
| | | | (1) | (2) | (3) | | |
| 28 | 93500-04012-0H | SCREW, PAN, 4X12 | 1 | (1) | - | | ED7,LHE,LHE/A,LKE,LKE/A,LXE,LXE/A,LXE4,LXE4/A,LXE6,LXE8,LXE8/A PXE8,PXE8/A,QAE6,QAE6/A,QHE,QHE/A,QMEO,QMEO/A,QME8,QME8/A,QNE6 QNR6,QNR6/A,QXE,QXE/A,QXEB,QXE4,QXE4/A,QXE6,QXE6/A,QXE8,QXE8/A SHE,SHEZ,SMEO,SMEO/A,SXE,SXE/A,SXEB,SXEB/A,SXE4,SXE4/A,SXE8 SXE8/A,S1,S1/A,VAAE,VEB6,VHE,VMQ,VMT,VMT/A,VNG2,VXEB,VXEB/A,VXE4 VXE6,VXE7,VXE7/A,VXE8,VXE8/A,VXU1,VXU1/A |
| 29 | 94001-04390-0S | NUT, HEX., 4MM | 1 | (1) | - | | ED7,LHE,LHE/A,QHE,QHE/A,QNE6,QXEB,SHE,SHEZ,S1,S1/A,VAAE,VEB6,VHE VNG2,VXE6 |
| | | | 1 | - | - | 2801237 | LKE,LXE,LXE4,LXE6,QAE6,QMEO,QNR6,QXE,QXE4,QXE6,SMEO,SXE,SXEB,SXE4 VXEB,VXE4,VXU1 |
| | | | 2 | - | - | | LKE/A,LXE/A,LXE4/A,LXE8,LXE8/A,PXE8,PXE8/A,QAE6/A,QMEO/A,QME8 QME8/A,QNR6/A,QXE/A,QXE4/A,QXE6/A,QXE8,QXE8/A,SMEO/A,SXE/A,SXEB/A SXE4/A,SXE8,SXE8/A,VMQ,VMT,VMT/A,VXEB/A,VXE7/VXE7/A,VXE8,VXE8/A VXU1/A |
| 30 | 94111-04800 | WASHER, SPRING, 4MM | 2 | - | - | 2801238 | LKE,LXE,LXE4,LXE6,QAE6,QMEO,QNR6,QXE,QXE4,QXE6,SMEO,SXE,SXEB,SXE4 VXEB,VXE4,VXU1 |
| | | | 1 | (1) | - | | ED7,LHE,LHE/A,LKE,LKE/A,LXE,LXE/A,LXE4,LXE4/A,LXE6,LXE8,LXE8/A PXE8,PXE8/A,QAE6,QAE6/A,QHE,QHE/A,QMEO,QMEO/A,QME8,QME8/A,QNE6 QNR6,QNR6/A,QXE,QXE/A,QXEB,QXE4,QXE4/A,QXE6,QXE6/A,QXE8,QXE8/A SHE,SHEZ,SMEO,SMEO/A,SXE,SXE/A,SXEB,SXEB/A,SXE4,SXE4/A,SXE8 SXE8/A,S1,S1/A,VAAE,VEB6,VHE,VMQ,VMT,VMT/A,VNG2,VXEB,VXEB/A,VXE4 VXE6,VXE7,VXE7/A,VXE8,VXE8/A,VXU1,VXU1/A |
| 31 | 98200-31500 | FUSE, BLADE (15A) | 1 | (1) | - | | QAE6,QAE6/A,QMEO,QMEO/A,QME8,QME8/A,QNE6,SMEO,SMEO/A,S1,S1/A,VNG2 |
| | | | 1 | - | - | 2398544 | LKE |
| | | | 1 | - | - | | QNR6,QNR6/A |
| | | | 1 | (1) | - | | ED7,ETS,LHE,LHE/A,LXE,LXE/A,LXE4,LXE4/A,LXE6,LXE8,LXE8/A,PXE8 PXE8/A,QHE,QHE/A,QXE,QXE/A,QXEB,QXE4,QXE4/A,QXE6,QXE6/A,QXE8 QXE8/A,SHE,SHEZ,SXE,SXE/A,SXEB,SXEB/A,SXE4,SXE4/A,SXE8,SXE8/A,S1 S1/A,VAAE,VEB6,VHE,VMQ,VMT,VMT/A,VXEB,VXEB/A,VXE4,VXE6,VXE7 VXE7/A,VXE8,VXE8/A,VXU1,VXU1/A |
| | | | 1 | - | - | 2398545 | 2566230 |
| 98200-31500 | FUSE, BLADE (15A) | 1 | - | - | | LKE/A | |
| | | 1 | - | - | 2566231 | LKE | |
| 32 | 34150-ZH7-003 | ALERT UNIT, OIL | 1 | - | - | | LKE/A,LXE4/A,LXE8,LXE8/A,PXE8,PXE8/A,QAE6/A,QMEO/A,QME8,QME8/A QNR6/A,QXE4/A,QXE6/A,QXE8,QXE8/A,SMEO/A,SXEB/A,SXE4/A,SXE8,SXE8/A VMT,VXEB/A,VXE7,VXE7/A,VXE8,VXE8/A,VXU1/A |
| | | | 1 | - | - | 2801238 | LKE,LXE,LXE4,LXE6,QAE6,QMEO,QNR6,QXE,QXE4,QXE6,SMEO,SXE,SXEB,SXE4 VXEB,VXE4,VXU1 |
| | | | 1 | - | - | 4074558 | LXE/A,QXE/A,SXE/A,VMQ,VMT/A |
| | | | 1 | - | - | 4074559 | LXE/A,QXE/A,SXE/A,VMQ,VMT/A |
| 33 | 94101-04800 | WASHER, PLAIN, 4MM | 1 | - | - | | LKE/A,LXE/A,LXE4/A,LXE8,LXE8/A,PXE8,PXE8/A,QAE6/A,QMEO/A,QME8 QME8/A,QNR6/A,QXE/A,QXE4/A,QXE6/A,QXE8,QXE8/A,SMEO/A,SXE/A,SXEB/A SXE4/A,SXE8,SXE8/A,VMQ,VMT,VMT/A,VXEB/A,VXE7,VXE7/A,VXE8,VXE8/A VXU1/A |
| | | | 1 | - | - | 2801238 | LKE,LXE,LXE4,LXE6,QAE6,QMEO,QNR6,QXE,QXE4,QXE6,SMEO,SXE,SXEB,SXE4 VXEB,VXE4,VXU1 |



E-23-1

CONTROL BOX(2)

2-G16



| Ref. No. | L.O.N. | (Relative ref. Number) Description | F.R.T. |
|----------|--------|------------------------------------|--------|
| 1 | 6221N7 | BOX, ENGINE CONTROL | 0.1 |
| 4 | 6221P7 | PANEL, ENGINE CONTROL | 0.2 |
| 5 | 6131B8 | RECTIFIER, SILICON | 0.1 |
| 8 | 6151E1 | SWITCH, COMBINATION | 0.2 |
| 11 | 6221D4 | PROTECTOR, CIRCUIT | 0.2 |
| 23 | 8121A7 | FUSE, BLADE | 0.1 |

| Ref. No. | Part No. | Description | Reqd. QTY | | | Serial No. | Parts catalogue code |
|----------|-----------------|--|-----------|-----|-----|------------|---------------------------|
| | | | GX | (1) | (2) | | |
| 1 | 31610-ZE3-013ZB | BOX ASSY., CONTROL (INTERNAL) *R8*.....BRIGHT RED | 1 | (1) | - | ----- | L1,P1,Q1,SDE,SKE,S1,V1 |
| | | | 1 | - | - | 3672611 | SKE/A |
| | | | - | (1) | - | 3663624 | L1/A,P1/A,Q1/A,S1/A |
| | 31610-ZE3-013ZD | *R280*.....POWER RED | 1 | - | - | 3672612 | SKE/A |
| | | | - | (1) | - | 3663625 | L1/A,P1/A,Q1/A,S1/A |
| 2 | 31612-ZE2-003 | CASE, CONTROL | 1 | - | - | ----- | SDE,SKE,SKE/A |
| | | | - | (1) | - | ----- | ----- |
| 3 | 31614-ZE2-003 | BRACKET, CASE MOUNTING | 1 | - | - | ----- | SDE,SKE,SKE/A |
| | | | - | (1) | - | ----- | ----- |
| 4 | 31615-ZE3-003ZB | PANEL COMP., CONTROL *R8*.....BRIGHT RED | 1 | (1) | - | ----- | L1,P1,Q1,SDE,SKE,S1,V1 |
| | | | 1 | (1) | - | 3662149 | L1/A,P1/A,Q1/A,SKE/A,S1/A |
| | 31615-ZE3-003ZE | *R280*.....POWER RED | 1 | (1) | - | 3662150 | L1/A,P1/A,Q1/A,SKE/A,S1/A |
| 5 | 31700-124-008 | RECTIFIER ASSY., SILICON (SHINDENGEN) | 1 | - | - | ----- | SDE,SKE,SKE/A |
| | | | - | (1) | - | ----- | ----- |
| 6 | 32127-738-700 | SUSPENSION, COUPLER | 1 | - | - | ----- | SDE,SKE,SKE/A |
| | | | - | (1) | - | ----- | ----- |
| 7 | 32902-892-003 | BAND | 1 | - | - | ----- | SDE,SKE,SKE/A |
| | | | - | (1) | - | ----- | ----- |
| 8 | 35100-ZE2-023 | SWITCH ASSY., COMBINATION ... | 1 | (1) | - | ----- | L1,P1,Q1,SDE,SKE,S1,V1 |
| | | | 1 | (1) | - | 4077286 | L1/A,P1/A,Q1/A,SKE/A,S1/A |
| | 35100-ZE2-033 | | 1 | (1) | - | 4077287 | L1/A,P1/A,Q1/A,SKE/A,S1/A |
| | 35111-880-003 | KEY COMP. | 2 | (2) | - | ----- | L1,P1,Q1,SKE,S1,V1 |
| | | | 2 | (2) | - | 3792398 | L1/A,P1/A,Q1/A,SKE/A,S1/A |
| | | | 2 | - | - | 3838382 | SDE |

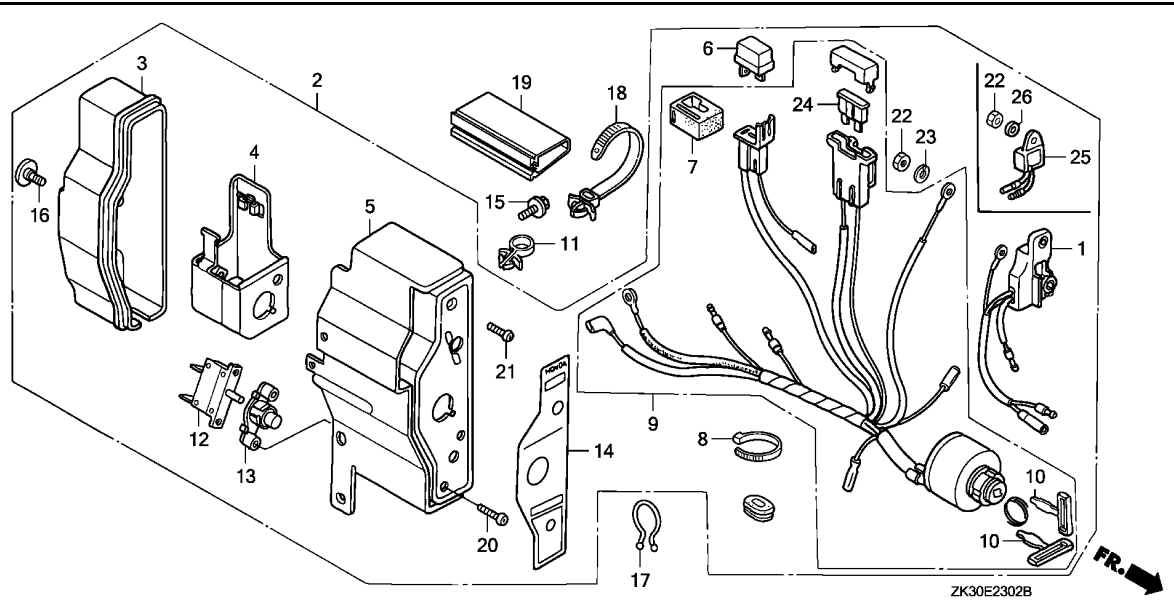
E-23-1

CONTROL BOX(2)

2-H 1

| Ref. No. | Part No. | Description | Reqd. QTY | | | Serial No. | Parts catalogue code |
|----------|----------------|-------------------------------|-----------|-----|-----|---------------|----------------------------------|
| | | | (1) | (2) | (3) | | |
| (9) | 35111-880-013 | KEY COMP. | 2 | (2) | - | 3792399 ----- | L1/A,P1/A,Q1/A,SKE/A,S1/A |
| | | | 2 | - | - | 3838383 ----- | SDE |
| 10 | 36103-ZE1-000 | HOLDER, STOP SWITCH CORD | 1 | - | - | ----- | SDE,SKE,SKE/A |
| | | | - | (1) | - | | |
| 11 | 38240-VA3-900 | PROTECTOR, CIRCUIT (1.0A) ... | 1 | - | - | ----- | SDE,SKE,SKE/A |
| | | | - | (1) | - | | |
| 12 | 38250-ZA8-701 | LENS ASSY., PROTECTOR | 1 | - | - | ----- | SDE,SKE,SKE/A |
| | | | - | (1) | - | | |
| 13 | 87529-ZE2-010 | PANEL, CONTROL BOX (INTERNAL) | 1 | (1) | - | ----- | L1,P1,P1/A,Q1,Q1/A,SDE,SKE,S1,V1 |
| | 87529-ZE2-020 | | 1 | (1) | - | 3735552 ----- | L1/A,SKE/A,S1/A |
| 14 | 90013-883-000 | BOLT, FLANGE, 6X12(CT200) ... | 2 | - | - | ----- | SDE,SKE,SKE/A |
| | | | - | (2) | - | | |
| 15 | 90380-MA6-010 | SCREW, SPECIAL, 6X12 | 1 | - | - | ----- | SDE,SKE,SKE/A |
| | | | - | (1) | - | | |
| 16 | 90630-751-000 | CLIP, PURSE LOCK | 1 | - | - | ----- | SDE,SKE,SKE/A |
| | | | - | (1) | - | | |
| 17 | 90672-SAO-003 | STRAP, CABLE, 118MM(BLACK) .. | 1 | - | - | ----- | SDE,SKE,SKE/A |
| | | | - | (1) | - | | |
| 18 | 91406-ZE2-003 | TUBE, FASTENER, 30MM | 1 | - | - | ----- | SDE,SKE,SKE/A |
| | | | - | (1) | - | | |
| 19 | 93500-03012-0H | SCREW, PAN, 3X12 | 2 | - | - | ----- | SDE,SKE,SKE/A |
| | | | - | (2) | - | | |
| 20 | 93500-04012-0H | SCREW, PAN, 4X12 | 1 | - | - | ----- | SDE,SKE,SKE/A |
| | | | - | (1) | - | | |
| 21 | 94001-04390-0S | NUT, HEX., 4MM | 1 | - | - | ----- | SDE,SKE,SKE/A |
| | | | - | (1) | - | | |
| 22 | 94111-04800 | WASHER, SPRING, 4MM | 1 | - | - | ----- | SDE,SKE,SKE/A |
| | | | - | (1) | - | | |
| 23 | 98200-30500 | FUSE, BLADE (5A) | 1 | - | - | ----- | SDE,SKE,SKE/A |
| | | | - | (1) | - | | |

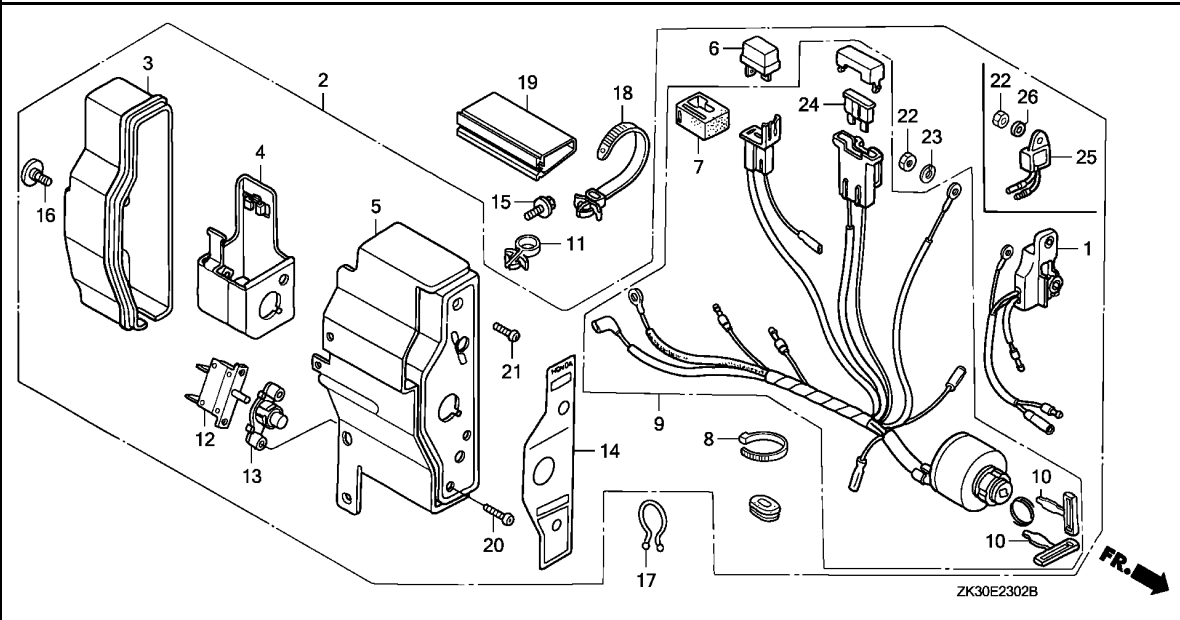
2



| Ref. No. | L.O.N. | (Relative ref. Number) Description | F.R.T. |
|----------|--------|------------------------------------|--------|
| 1 | | (25) | |
| 1 | 6151K4 | ALERT UNIT, ENGINE CONTROL OIL | 0.2 |
| 2 | 6221N7 | BOX, ENGINE CONTROL | 0.1 |
| 5 | 6221P7 | PANEL, ENGINE CONTROL | 0.2 |
| 6 | 6131B8 | RECTIFIER, SILICON | 0.1 |
| 9 | 6151E1 | SWITCH, COMBINATION | 0.2 |
| 12 | 6221D4 | PROTECTOR, CIRCUIT | 0.2 |
| 24 | 8121A7 | FUSE, BLADE | 0.1 |

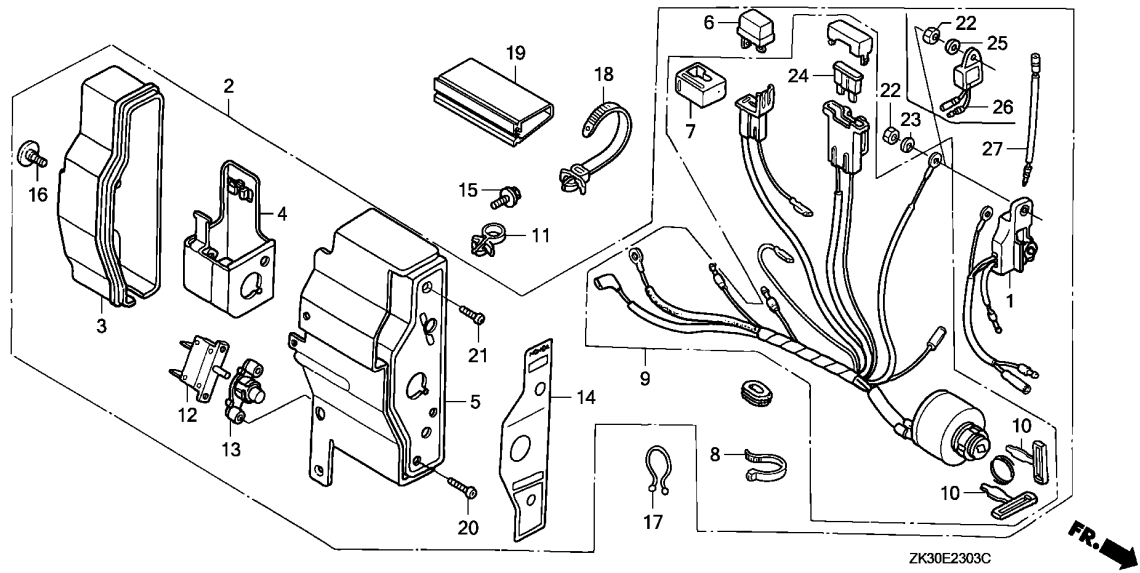


| Ref. No. | Part No. | Description | Reqd. QTY | | | Serial No. | Parts catalogue code |
|----------|-----------------|---------------------------------------|-----------|-------|-----|------------|----------------------|
| | | | GX | 340K1 | | | |
| | | | (1) | (2) | (3) | | |
| 1 | 15520-ZE2-822 | ALERT UNIT, OIL (SEL) | - | (1) | - | 2143683 | L1,P1,Q1,S1,V1 |
| 2 | 31610-ZE3-W01ZB | BOX ASSY., CONTROL (INTERNAL-ALERT) | - | (1) | - | 2143683 | L1,P1,Q1,S1,V1 |
| | | *R8*.....BRIGHT RED | - | (1) | - | 2143684 | V1 |
| | 31610-ZE3-W02ZB | *R8*.....BRIGHT RED | - | (1) | - | 2143684 | 2801237 L1,P1,Q1,S1 |
| | 31610-ZE3-W33ZA | BOX ASSY., CONTROL (EXP-ALERT) (10A) | - | (1) | - | | S1/A |
| | | *NH1*.....BLACK | - | (1) | - | 2801238 | S1 |
| | 31610-ZE3-W33ZB | *R8*.....BRIGHT RED | - | (1) | - | 2801238 | L1,P1,Q1,S1 |
| | | | - | (1) | - | 3663624 | L1/A,P1/A,Q1/A,S1/A |
| | 31610-ZE3-W33ZD | *R280*.....POWER RED | - | (1) | - | 3663625 | L1/A,P1/A,Q1/A,S1/A |
| 3 | 31612-ZE2-003 | CASE, CONTROL | - | (1) | - | | |
| 4 | 31614-ZE2-003 | BRACKET, CASE MOUNTING | - | (1) | - | | |
| 5 | 31615-ZE3-003ZB | PANEL COMP., CONTROL | - | (1) | - | | |
| | | *R8*.....BRIGHT RED | - | (1) | - | 3662149 | L1,P1,Q1,S1,V1 |
| | | | - | (1) | - | 3662150 | L1/A,P1/A,Q1/A,S1/A |
| | 31615-ZE3-003ZE | *R280*.....POWER RED | - | (1) | - | 3662150 | L1/A,P1/A,Q1/A,S1/A |
| 6 | 31700-124-008 | RECTIFIER ASSY., SILICON (SHINDENGEN) | - | (1) | - | | |
| 7 | 32127-738-700 | SUSPENSION, COUPLER | - | (1) | - | | |
| 8 | 32902-892-003 | BAND | - | (1) | - | | |
| 9 | 35100-ZE2-023 | SWITCH ASSY., COMBINATION | - | (1) | - | | L1,P1,P1/A,Q1,S1,V1 |
| | | | - | (1) | - | 4077286 | L1/A,Q1/A,S1/A |
| | 35100-ZE2-033 | | - | (1) | - | 4077287 | L1/A,Q1/A,S1/A |
| 10 | 35111-880-003 | KEY COMP. | - | (2) | - | | L1,P1,Q1,S1,V1 |
| | | | - | (2) | - | 3792398 | L1/A,P1/A,Q1/A,S1/A |



| Ref. No. | Part No. | Description | Reqd. QTY | | | Serial No. | Parts catalogue code |
|----------|---------------|-------------------------------|--|-----|-----|------------|--------------------------------|
| | | | GX | (1) | (2) | | |
| 10) | 35111-880-013 | KEY COMP. | - | (2) | - | 3792399 | ----- L1/A,P1/A,Q1/A,S1/A |
| | 11 | 36103-ZE1-000 | HOLDER, STOP SWITCH CORD | - | (1) | - | |
| | 12 | 38240-VA3-900 | PROTECTOR, CIRCUIT (1.0A) ... | - | (1) | - | |
| | 13 | 38250-ZA8-701 | LENS ASSY., PROTECTOR | - | (1) | - | |
| | 14 | 87529-ZE2-821 | PANEL, CONTROL BOX (INTERNAL-ALERT) | - | (1) | - | 2143683 L1,P1,Q1,S1,V1 |
| | 87529-ZE2-010 | PANEL, CONTROL BOX (INTERNAL) | - | (1) | - | 2143684 | ----- P1/A,Q1/A |
| | | | - | (1) | - | 3735552 | ----- L1,P1,Q1,S1,V1 |
| | 87529-ZE2-020 | | - | (1) | - | 3735553 | ----- L1/A,S1/A |
| | 15 | 90013-883-000 | BOLT, FLANGE, 6X12(CT200) ... | - | (1) | - | |
| | 16 | 90380-MA6-010 | SCREW, SPECIAL, 6X12 | - | (1) | - | |
| | 17 | 90630-751-000 | CLIP, PURSE LOCK | - | (1) | - | |
| | 18 | 90672-SA0-003 | STRAP, CABLE, 118MM(BLACK) .. | - | (1) | - | |
| | 19 | 91406-ZE2-003 | TUBE, FASTENER, 30MM | - | (1) | - | |
| | 20 | 93500-03012-0H | SCREW, PAN, 3X12 | - | (2) | - | |
| | 21 | 93500-04012-0H | SCREW, PAN, 4X12 | - | (1) | - | |
| | 22 | 94001-04390-0S | NUT, HEX., 4MM | - | (2) | - | |
| | 23 | 94111-04800 | WASHER, SPRING, 4MM | - | (1) | - | |
| | 24 | 98200-30500 | FUSE, BLADE (5A) | - | (1) | - | |
| | 25 | 34150-ZH7-003 | ALERT UNIT, OIL | - | (1) | - | ----- L1,P1,P1/A,Q1,Q1/A,S1,V1 |
| | | | - | (1) | - | 4074558 | ----- L1/A,S1/A |
| | 34150-ZH7-013 | | - | (1) | - | 4074559 | ----- L1/A,S1/A |
| | 26 | 94101-04800 | WASHER, PLAIN, 4MM | - | (1) | - | |





| Ref. No. | L.O.N. | (Relative ref. Number) Description | F.R.T. |
|----------|--------|------------------------------------|--------|
| 1 | | (26) | |
| 1 | 6151K4 | ALERT UNIT, ENGINE CONTROL OIL | 0.2 |
| 2 | 6221N7 | BOX, ENGINE CONTROL | 0.1 |
| 5 | 6221P7 | PANEL, ENGINE CONTROL | 0.2 |
| 6 | 6131B8 | RECTIFIER, SILICON | 0.1 |
| 9 | 6151E1 | SWITCH, COMBINATION | 0.2 |
| 12 | 6221D4 | PROTECTOR, CIRCUIT | 0.2 |
| 24 | 8121A7 | FUSE, BLADE | 0.1 |

2

| Ref. No. | Part No. | Description | Reqd. QTY | | | Serial No. | Parts catalogue code |
|----------|-----------------|---|-----------|-------|-----|------------|----------------------|
| | | | GX | 340K1 | (3) | | |
| 1 | 15520-ZE2-822 | ALERT UNIT, OIL (SEL) | 1 | - | - | 2143683 | QAE,VAH2,VXE |
| 2 | 31610-ZE3-W11ZB | BOX ASSY., CONTROL (ALERT) *R8*.....BRIGHT RED | 1 | - | - | 2143683 | VAH2,VXE |
| | 31610-ZE3-W12ZB | BOX ASSY., CONTROL *R8*.....BRIGHT RED | 1 | - | - | 2143684 | VAH2 |
| | 31610-ZE3-W21ZB | BOX ASSY., CONTROL (ALERT)(3A) *R8*.....BRIGHT RED | 1 | - | - | 2801237 | VXE |
| | 31610-ZE3-W22ZB | BOX ASSY., CONTROL (3A) *R8*.....BRIGHT RED | 1 | - | - | 2143684 | QAE |
| | 31610-ZE3-W13ZB | BOX ASSY., CONTROL (ALERT) *R8*.....BRIGHT RED | 1 | - | - | 2801238 | VXE |
| | | | 1 | - | - | 3662261 | VXE/A |
| | 31610-ZE3-W13ZC | *T39*.....GEKO BLUE | 1 | - | - | | VXE/A |
| | | | 1 | - | - | 2801238 | VXE |
| | 31610-ZE3-W13ZD | *NH105*...MAT BLACK (#15-#20) | 1 | - | - | | VXE/A |
| | | | 1 | - | - | 2801238 | VXE |
| | 31610-ZE3-W13ZE | BOX ASSY., CONTROL *R280*.....POWER RED | 1 | - | - | 3662262 | VXE/A |
| 3 | 31612-ZE2-003 | CASE, CONTROL | 1 | - | - | | QAE,VAH2,VXE,VXE/A |
| 4 | 31614-ZE2-003 | BRACKET, CASE MOUNTING | 1 | - | - | | QAE,VAH2,VXE,VXE/A |
| 5 | 31615-ZE3-003ZB | PANEL COMP., CONTROL *R8*.....BRIGHT RED | 1 | - | - | | QAE,VAH2,VXE |
| | | | 1 | - | - | 3662149 | VXE/A |
| | 31615-ZE3-003ZC | *T39*.....GEKO BLUE | 1 | - | - | | VXE/A |
| | | | 1 | - | - | 2801238 | VXE |
| | 31615-ZE3-003ZD | *NH105*...MAT BLACK (#15-#20) | 1 | - | - | | VXE/A |
| | | | 1 | - | - | 2801238 | VXE |
| | 31615-ZE3-003ZE | *R280*.....POWER RED | 1 | - | - | 3662150 | VXE/A |

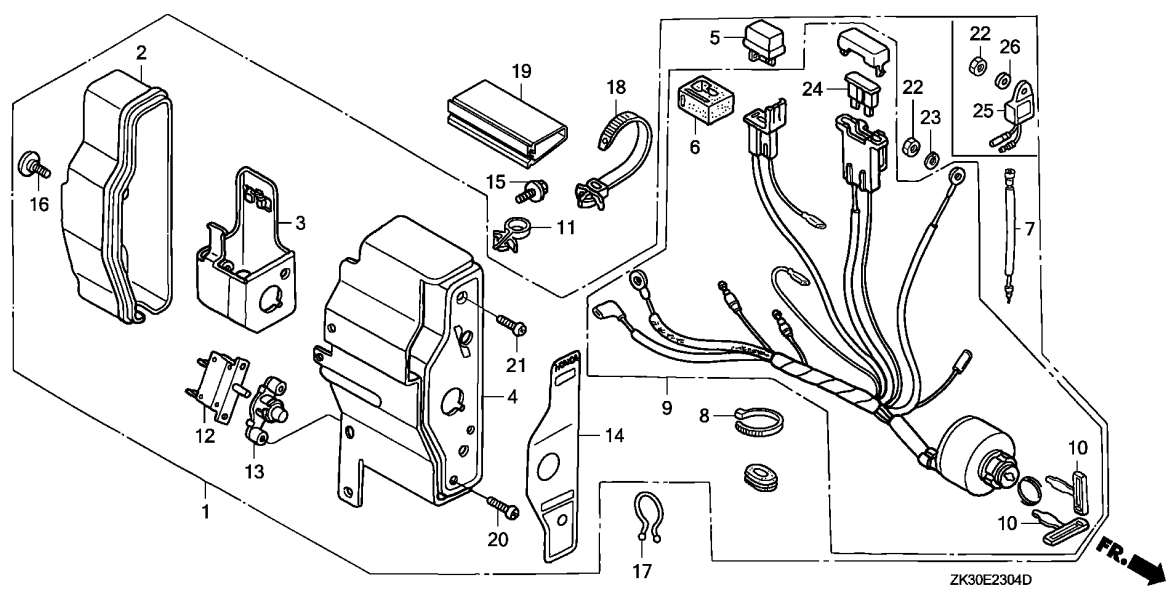
| Ref. No. | Part No. | Description | Reqd. QTY | | | Serial No. | Parts catalogue code |
|----------|----------------|--|-----------|-----|-----|------------|----------------------|
| | | | (1) | (2) | (3) | | |
| 6 | 31700-124-008 | RECTIFIER ASSY., SILICON (SHINDENGEN) | 1 | - | - | ----- | QAE,VAH2,VXE,VXE/A |
| 7 | 32127-738-700 | SUSPENSION, COUPLER | 1 | - | - | ----- | QAE,VAH2,VXE,VXE/A |
| 8 | 32902-892-003 | BAND | 1 | - | - | ----- | QAE,VAH2,VXE,VXE/A |
| 9 | 35100-ZE2-023 | SWITCH ASSY., COMBINATION ... | 1 | - | - | ----- | VAH2,VXE |
| | 35100-ZE2-842 | SWITCH ASSY., COMBINATION (3A-CHARGE) | 1 | - | - | 4077286 | VXE/A |
| | 35100-ZE2-033 | SWITCH ASSY., COMBINATION ... | 1 | - | - | 4077287 | VXE/A |
| 10 | 35111-880-003 | KEY COMP. | 2 | - | - | ----- | QAE,VAH2,VXE |
| | 35111-880-013 | | 2 | - | - | 3792398 | VXE/A |
| | 35111-880-013 | | 2 | - | - | 3792399 | VXE/A |
| 11 | 36103-ZE1-000 | HOLDER, STOP SWITCH CORD | 1 | - | - | ----- | QAE,VAH2,VXE,VXE/A |
| 12 | 38240-VA3-900 | PROTECTOR, CIRCUIT (1.0A) ... | 1 | - | - | ----- | VAH2,VXE,VXE/A |
| | 38240-ZE2-840 | PROTECTOR, CIRCUIT (3.5A) ... | 1 | - | - | ----- | QAE |
| 13 | 38250-ZA8-701 | LENS ASSY., PROTECTOR | 1 | - | - | ----- | QAE,VAH2,VXE,VXE/A |
| 14 | 87529-ZE2-831 | PANEL, CONTROL BOX (EXTERNAL-ALERT) | 1 | - | - | 2143683 | QAE,VAH2,VXE |
| | 87529-ZE2-811 | MARK, CONTROL BOX (EXTERNAL) | 1 | - | - | 2143684 | QAE,VAH2,VXE |
| | 87529-ZE2-812 | MARK, CONTROL BOX (EXP) | 1 | - | - | 3723964 | VXE/A |
| 15 | 90013-883-000 | BOLT, FLANGE, 6X12(CT200) ... | 2 | - | - | 3723965 | VXE/A |
| | 90013-883-000 | | 2 | - | - | ----- | QAE,VAH2,VXE,VXE/A |
| 16 | 90380-MA6-010 | SCREW, SPECIAL, 6X12 | 1 | - | - | ----- | QAE,VAH2,VXE,VXE/A |
| 17 | 90630-751-000 | CLIP, PURSE LOCK | 1 | - | - | ----- | QAE,VAH2,VXE,VXE/A |
| 18 | 90672-SA0-003 | STRAP, CABLE, 118MM(BLACK) .. | 1 | - | - | ----- | QAE,VAH2,VXE,VXE/A |
| 19 | 91406-ZE2-003 | TUBE, FASTENER, 30MM | 1 | - | - | ----- | QAE,VAH2,VXE,VXE/A |
| 20 | 93500-03012-OH | SCREW, PAN, 3X12 | 2 | - | - | ----- | QAE,VAH2,VXE,VXE/A |
| 21 | 93500-04012-OH | SCREW, PAN, 4X12 | 1 | - | - | ----- | QAE,VAH2,VXE,VXE/A |
| 22 | 94001-04390-OS | NUT, HEX., 4MM | 1 | - | - | ----- | QAE,VAH2 |
| | 94001-04390-OS | | 1 | - | - | 2801237 | VXE |
| | 94001-04390-OS | | 2 | - | - | ----- | VXE/A |
| | 94001-04390-OS | | 2 | - | - | 2801238 | VXE |
| 23 | 94111-04800 | WASHER, SPRING, 4MM | 1 | - | - | ----- | QAE,VAH2,VXE,VXE/A |
| 24 | 98200-30500 | FUSE, BLADE (5A) | 1 | - | - | ----- | VAH2,VXE,VXE/A |
| | 98200-31500 | FUSE, BLADE (15A) | 1 | - | - | ----- | QAE |
| 25 | 94101-04800 | WASHER, PLAIN, 4MM | 1 | - | - | ----- | VXE/A |
| | 94101-04800 | | 1 | - | - | 2801238 | VXE |
| 26 | 34150-ZH7-003 | ALERT UNIT, OIL | 1 | - | - | 2801238 | VXE |
| | 34150-ZH7-003 | | 1 | - | - | 4074558 | VXE/A |
| | 34150-ZH7-013 | | 1 | - | - | 4074559 | VXE/A |
| 27 | 32197-ZE1-003 | SUB HARNESS | 1 | - | - | ----- | VXE/A |
| | 32197-ZE1-003 | | 1 | - | - | 2143684 | QAE,VAH2,VXE |



E-23-4

CONTROL BOX(5)

2-H 6



| Ref. No. | L.O.N. | (Relative ref. Number) Description | F.R.T. |
|----------|--------|------------------------------------|--------|
| 1 | 6221N7 | BOX, ENGINE CONTROL | 0.1 |
| 4 | 6151K5 | PANEL, ENGINE CONTROL. | 0.2 |
| 5 | 6131B8 | RECTIFIER, SILICON | 0.1 |
| 9 | 6151E1 | SWITCH, COMBINATION | 0.2 |
| 12 | 6221D4 | PROTECTOR, CIRCUIT | 0.2 |
| 24 | 8121A7 | FUSE, BLADE | 0.1 |
| 25 | 6151K4 | ALERT UNIT, ENGINE CONTROL OIL | 0.2 |

2

| Ref. No. | Part No. | Description | Reqd. QTY | | | Serial No. | Parts catalogue code |
|----------|-----------------|-------------------------------------|-----------|-----|-----|------------|--|
| | | | GX | (1) | (2) | | |
| 1 | 31610-ZE3-W12ZA | BOX ASSY., CONTROL | 1 | - | - | - | SME2 |
| | *NH1* |BLACK | 1 | - | - | - | SME2,SXE2 |
| | 31610-ZE3-W12ZB | *R8*.....BRIGHT RED | 1 | - | - | 2801237 | LXE2,QXE2,VH22,VXE2 |
| | 31610-ZE3-W12ZD | *NH105*...MAT BLACK (#15-#20) | 1 | - | - | 2801237 | VWE2,VXE2 |
| | 31610-ZE3-W13ZB | BOX ASSY., CONTROL (ALERT) | 1 | - | - | 2801238 | LXE2,QXE2,VH22,VXE2 |
| | *R8* |BRIGHT RED | 1 | - | - | 3671095 | LXE2/A,VH22/A,VXE2/A |
| | 31610-ZE3-W22ZB | BOX ASSY., CONTROL (3A) | 1 | - | - | 2801237 | QAE2 |
| | *R8* |BRIGHT RED | 1 | - | - | - | VWE2/A,VXE2/A |
| | 31610-ZE3-W13ZD | BOX ASSY., CONTROL (ALERT) | 1 | - | - | 2801238 | VWE2,VXE2 |
| | *NH105* | ...MAT BLACK (#15-#20) | 1 | - | - | - | VWE2,VXE2 |
| | 31610-ZE3-W13ZE | BOX ASSY., CONTROL | 1 | - | - | 3671096 | LXE2/A,VH22/A,VXE2/A |
| | *R280* |POWER RED | 1 | - | - | - | QAE2/A |
| | 31610-ZE3-W23ZA | BOX ASSY., CONTROL (ALERT) (3A) | 1 | - | - | 2801238 | QAE2 |
| | *NH1* |BLACK | 1 | - | - | 2801238 | QAE2 |
| | 31610-ZE3-W23ZB | *R8*.....BRIGHT RED | 1 | - | - | 3662149 | QAE2/A |
| | 31610-ZE3-W23ZD | BOX ASSY., CONTROL (EXP-ALERT) (3A) | 1 | - | - | 3662150 | QAE2/A |
| | *R280* |POWER RED | 1 | - | - | - | LXE2,LXE2/A,QAE2,QAE2/A,QXE2,SME2,SXE2,VH22,VH22/A,VWE2,VWE2/A |
| 2 | 31612-ZE2-003 | CASE, CONTROL | 1 | - | - | - | VXE2,VXE2/A |
| 3 | 31614-ZE2-003 | BRACKET, CASE MOUNTING | 1 | - | - | - | LXE2,LXE2/A,QAE2,QAE2/A,QXE2,SME2,SXE2,VH22,VH22/A,VWE2,VWE2/A |
| 4 | 31615-ZE3-003ZA | PANEL COMP., CONTROL | 1 | - | - | - | VXE2,VXE2/A |
| | *NH1* |BLACK | 1 | - | - | - | ENT,ENT/A,SME2 |

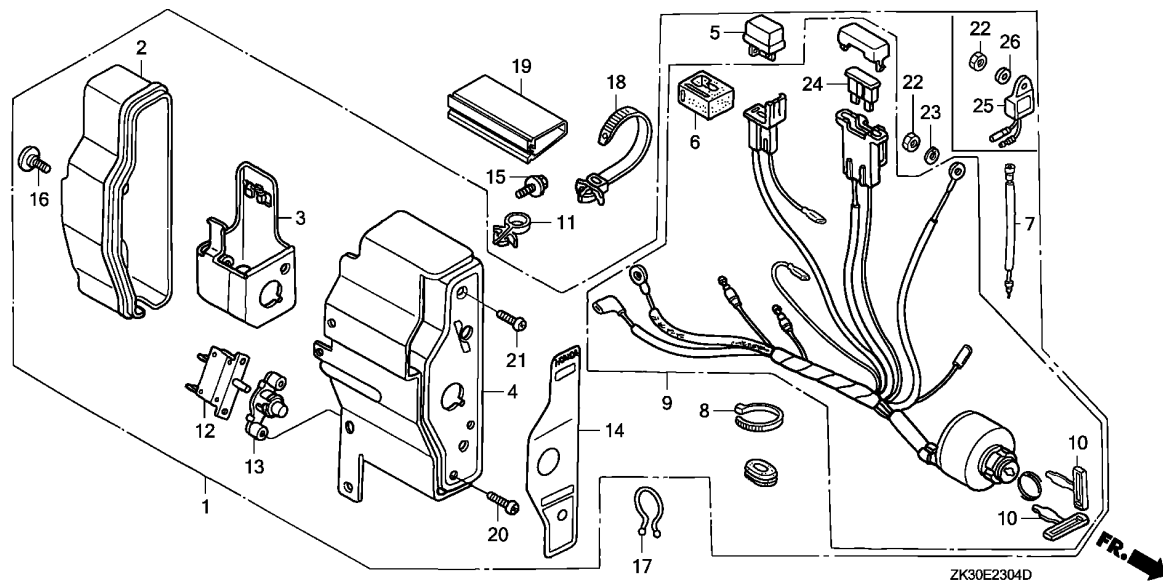
| Ref. No. | Part No. | Description | Reqd. QTY | | | Serial No. | Parts catalogue code |
|----------|-----------------|--|-----------|-----|-----|------------|---|
| | | | (1) | (2) | (3) | | |
| (4) | 31615-ZE3-003ZB | PANEL COMP., CONTROL | | | | | |
| | | *R8*.....BRIGHT RED | 1 | - | - | ----- | LXE2,QAE2,QXE2,SME2,SXE2,VH22,VXE2 |
| | | | 1 | - | - | ----- | 3662149 LXE2/A,QAE2/A,VH22/A,VXE2/A |
| | 31615-ZE3-003ZD | *NH105*...MAT BLACK (#15-#20) | 1 | - | - | ----- | VWE2,VWE2/A,VXE2,VXE2/A |
| | 31615-ZE3-003ZE | *R280*.....POWER RED | 1 | - | - | ----- | 3662150 LXE2/A,QAE2/A,VH22/A,VXE2/A |
| 5 | 31700-124-008 | RECTIFIER ASSY., SILICON (SHINDENGEN) | 1 | - | - | ----- | LXE2,LXE2/A,QAE2,QAE2/A,QXE2,SME2,SXE2,VH22,VH22/A,VWE2,VWE2/A VXE2,VXE2/A |
| 6 | 32127-738-700 | SUSPENSION, COUPLER | 1 | - | - | ----- | LXE2,LXE2/A,QAE2,QAE2/A,QXE2,SME2,SXE2,VH22,VH22/A,VWE2,VWE2/A VXE2,VXE2/A |
| 7 | 32197-ZE1-003 | SUB HARNESS | 1 | - | - | ----- | LXE2,LXE2/A,QAE2,QAE2/A,QXE2,SME2,SXE2,VH22,VH22/A,VWE2,VWE2/A VXE2,VXE2/A |
| 8 | 32902-892-003 | BAND | 1 | - | - | ----- | LXE2,LXE2/A,QAE2,QAE2/A,QXE2,SME2,SXE2,VH22,VH22/A,VWE2,VWE2/A VXE2,VXE2/A |
| 9 | 35100-ZE2-023 | SWITCH ASSY., COMBINATION ... | 1 | - | - | ----- | LXE2,LXE2/A,QXE2,SME2,SXE2,VH22,VH22/A,VWE2,VWE2/A,VXE2,VXE2/A |
| | 35100-ZE2-842 | SWITCH ASSY., COMBINATION (3A-CHARGE) | 1 | - | - | ----- | QAE2,QAE2/A |
| 10 | 35111-880-003 | KEY COMP. | 2 | - | - | ----- | LXE2,QAE2,SME2,SXE2,VH22,VWE2,VXE2 |
| | | | 2 | - | - | ----- | 3792398 LXE2/A,QAE2/A,VH22/A,VWE2/A,VXE2/A |
| | | | 2 | - | - | ----- | 3838382 QXE2 |
| | 35111-880-013 | | 2 | - | - | ----- | 3792399 LXE2/A,QAE2/A,VH22/A,VWE2/A,VXE2/A |
| | | | 2 | - | - | ----- | 3838383 QXE2 |
| 11 | 36103-ZE1-000 | HOLDER, STOP SWITCH CORD | 1 | - | - | ----- | LXE2,LXE2/A,QAE2,QAE2/A,QXE2,SME2,SXE2,VH22,VH22/A,VWE2,VWE2/A VXE2,VXE2/A |
| 12 | 38240-VA3-900 | PROTECTOR, CIRCUIT (1.0A) ... | 1 | - | - | ----- | LXE2,LXE2/A,QXE2,SME2,SXE2,VH22,VH22/A,VWE2,VWE2/A,VXE2,VXE2/A |
| | 38240-ZE2-840 | PROTECTOR, CIRCUIT (3.5A) ... | 1 | - | - | ----- | QAE2,QAE2/A |
| 13 | 38250-ZA8-701 | LENS ASSY., PROTECTOR | 1 | - | - | ----- | LXE2,LXE2/A,QAE2,QAE2/A,QXE2,SME2,SXE2,VH22,VH22/A,VWE2,VWE2/A VXE2,VXE2/A |
| 14 | 87529-ZE2-811 | MARK, CONTROL BOX (EXTERNAL) | 1 | - | - | ----- | LXE2,QAE2,QXE2,SME2,SXE2,VH22,VWE2,VXE2 |
| | | | 1 | - | - | ----- | 3723964 LXE2/A,QAE2/A,VH22/A,VWE2/A,VXE2/A |
| | 87529-ZE2-812 | MARK, CONTROL BOX (EXP) | 1 | - | - | ----- | 3723965 LXE2/A,QAE2/A,VH22/A,VWE2/A,VXE2/A |
| 15 | 90013-883-000 | BOLT, FLANGE, 6X12(CT200) ... | 1 | - | - | ----- | QAE2,QAE2/A,QXE2,VXE2,VXE2/A |
| | | | 2 | - | - | ----- | LXE2,VH22,VWE2 |
| | | | 2 | - | - | ----- | 2644833 SME2,SXE2 |
| 16 | 90380-MA6-010 | SCREW, SPECIAL, 6X12 | 1 | - | - | ----- | LXE2,LXE2/A,QAE2,QAE2/A,QXE2,SME2,SXE2,VH22,VH22/A,VWE2,VWE2/A VXE2,VXE2/A |
| 17 | 90630-751-000 | CLIP, PURSE LOCK | 1 | - | - | ----- | LXE2,LXE2/A,QAE2,QAE2/A,QXE2,SME2,SXE2,VH22,VH22/A,VWE2,VWE2/A VXE2,VXE2/A |
| 18 | 90672-SA0-003 | STRAP, CABLE, 118MM(BLACK) .. | 1 | - | - | ----- | LXE2,LXE2/A,QAE2,QAE2/A,QXE2,SME2,SXE2,VH22,VH22/A,VWE2,VWE2/A VXE2,VXE2/A |
| 19 | 91406-ZE2-003 | TUBE, FASTENER, 30MM | 1 | - | - | ----- | LXE2,LXE2/A,QAE2,QAE2/A,QXE2,SME2,SXE2,VH22,VH22/A,VWE2,VWE2/A VXE2,VXE2/A |
| 20 | 93500-03012-OH | SCREW, PAN, 3X12 | 2 | - | - | ----- | LXE2,LXE2/A,QAE2,QAE2/A,QXE2,SME2,SXE2,VH22,VH22/A,VWE2,VWE2/A VXE2,VXE2/A |
| 21 | 93500-04012-OH | SCREW, PAN, 4X12 | 1 | - | - | ----- | LXE2,LXE2/A,QAE2,QAE2/A,QXE2,SME2,SXE2,VH22,VH22/A,VWE2,VWE2/A VXE2,VXE2/A |
| 22 | 94001-04390-0S | NUT, HEX., 4MM | 1 | - | - | ----- | SME2,SXE2 |
| | | | 1 | - | - | ----- | 2801237 LXE2,QAE2,QXE2,VH22,VWE2,VXE2 |
| | | | 2 | - | - | ----- | LXE2/A,QAE2/A,VH22/A,VWE2/A,VXE2/A |
| | | | 2 | - | - | ----- | 2801238 LXE2,QAE2,QXE2,VH22,VWE2,VXE2 |
| 23 | 94111-04800 | WASHER, SPRING, 4MM | 1 | - | - | ----- | LXE2,LXE2/A,QAE2,QAE2/A,QXE2,SME2,SXE2,VH22,VH22/A,VWE2,VWE2/A VXE2,VXE2/A |
| 24 | 98200-30500 | FUSE, BLADE (5A) | 1 | - | - | ----- | LXE2,LXE2/A,QXE2,SME2,SXE2,VH22,VH22/A,VWE2,VWE2/A,VXE2,VXE2/A |
| | 98200-31500 | FUSE, BLADE (15A) | 1 | - | - | ----- | QAE2,QAE2/A |



E-23-4

CONTROL BOX(5)

2-H 8



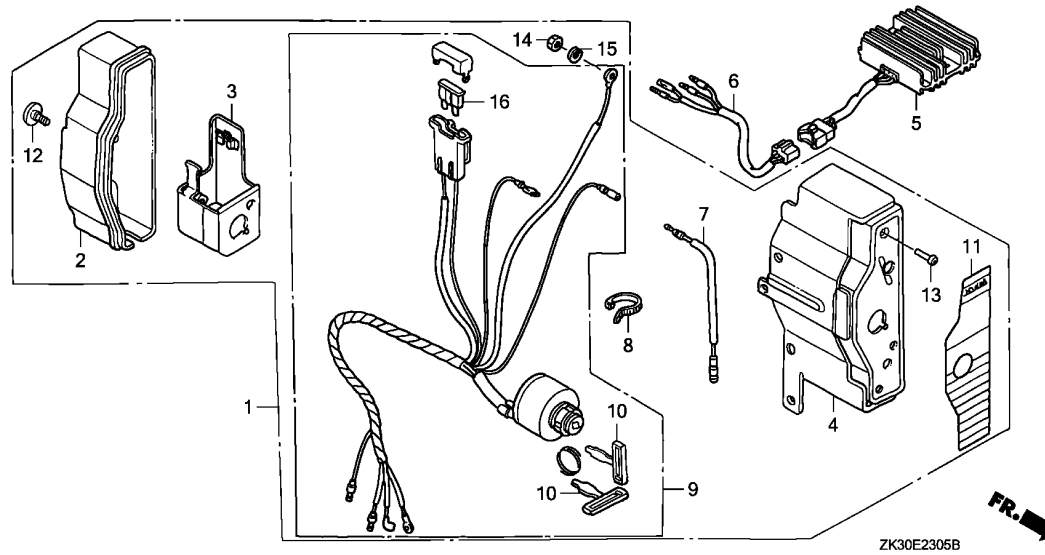
| Ref. No. | Part No. | Description | Reqd. QTY | | | Serial No. | Parts catalogue code |
|----------|---------------|--------------------------|-----------|-------|-----|---|----------------------|
| | | | GX | 340K1 | | | |
| | | | (1) | (2) | (3) | | |
| 25 | 34150-ZH7-003 | ALERT UNIT, OIL | 1 | - | - | ----- LXE2/A,QAE2/A,VH22/A,VWE2/A,VXE2/A | |
| | | | 1 | - | - | 2801238 ----- LXE2,QAE2,QXE2,VH22,VWE2,VXE2 | |
| 26 | 94101-04800 | WASHER, PLAIN, 4MM | 1 | - | - | ----- LXE2/A,QAE2/A,VH22/A,VWE2/A,VXE2/A | |
| | | | 1 | - | - | 2801238 ----- LXE2,QAE2,QXE2,VH22,VWE2,VXE2 | |

2

E-23-5

CONTROL BOX(6)

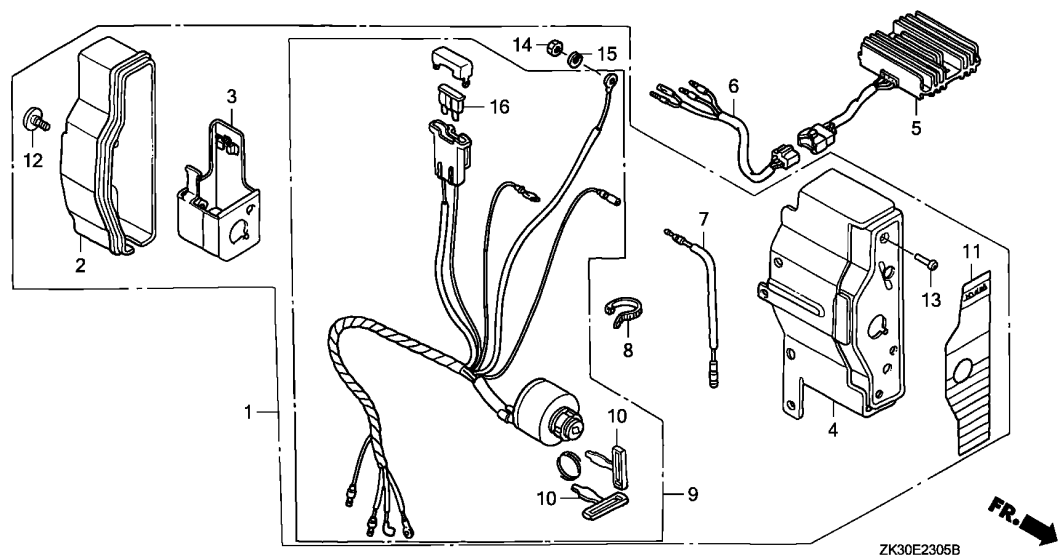
2-H 9



| Ref. No. | L.O.N. | (Relative ref. Number) Description | F.R.T. |
|----------|--------|------------------------------------|--------|
| 1 | 6221N7 | BOX, ENGINE CONTROL | 0.1 |
| 4 | 6221P7 | PANEL, ENGINE CONTROL | 0.2 |
| 5 | 6131B7 | RECTIFIER, REGULATOR | 0.2 |
| 6 | 6111E6 | HARNESS, REGULATOR RECTIFIER | 0.2 |
| 9 | 6151E1 | SWITCH, COMBINATION | 0.2 |
| 16 | 8121A7 | FUSE, BLADE | 0.1 |

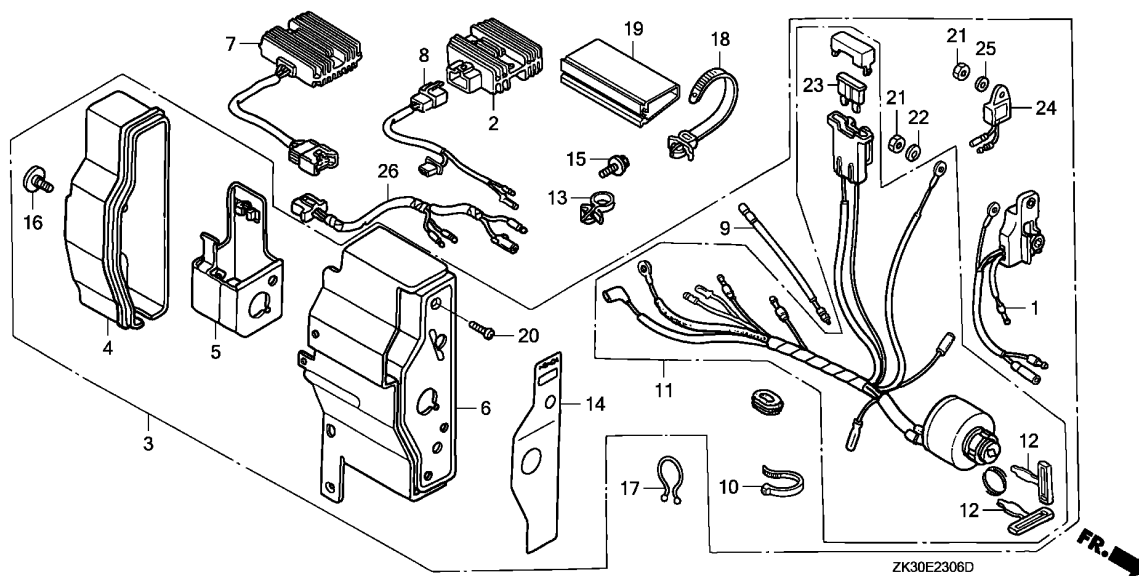
| Ref. No. | Part No. | Description | Reqd. QTY | | | Serial No. | Parts catalogue code |
|----------|-----------------|--|-----------|-----|-----|------------|----------------------|
| | | | GX | (1) | (2) | | |
| 1 | 31610-ZE3-W41ZB | BOX ASSY., CONTROL (18A) | - | (1) | - | | |
| | | *R8*.....BRIGHT RED | - | (1) | - | | |
| | 31610-ZE3-W42ZD | BOX ASSY., CONTROL (EXP-ALERT) (18A) | - | (1) | - | | |
| | | *R280*.....POWER RED | - | (1) | - | 3663625 | L1/A,P1/A,Q1/A,S1/A |
| 2 | 31612-ZE2-003 | CASE, CONTROL | - | (1) | - | | |
| 3 | 31614-ZE2-003 | BRACKET, CASE MOUNTING | - | (1) | - | | |
| 4 | 31615-ZE3-003ZA | PANEL COMP., CONTROL | - | (1) | - | | |
| | | *NH1*.....BLACK | - | (1) | - | | L1,P1,Q1,S1,V1 |
| | 31615-ZE3-003ZB | *R8*.....BRIGHT RED | - | (1) | - | 3662149 | L1/A,P1/A,Q1/A,S1/A |
| | 31615-ZE3-003ZE | *R280*.....POWER RED | - | (1) | - | 3662150 | L1/A,P1/A,Q1/A,S1/A |
| 5 | 31620-ZG5-003 | RECTIFIER ASSY., REGULATOR (20A) | - | (1) | - | | |
| 6 | 32110-ZE2-W00 | HARNESS ASSY., SUB WIRE | - | (1) | - | | |
| 7 | 32197-ZE1-003 | SUB HARNESS | - | (1) | - | | |
| 8 | 32902-892-003 | BAND | - | (1) | - | | |
| 9 | 35100-ZE2-W01 | SWITCH ASSY., COMBINATION (18A-CHARGE) | - | (1) | - | | |
| 10 | 35111-880-003 | KEY COMP. | - | (2) | - | | L1,P1,Q1,S1,V1 |
| | | | - | (2) | - | 3792398 | L1/A,P1/A,Q1/A,S1/A |
| | 35111-880-013 | | - | (2) | - | 3792399 | L1/A,P1/A,Q1/A,S1/A |
| 11 | 87529-ZE2-860 | MARK, CONTROL BOX (EXTERNAL-REGULATOR) | - | (1) | - | | L1,P1,P1/A,Q1,S1,V1 |
| | | | - | (1) | - | 3724889 | L1/A,Q1/A,S1/A |
| | 87529-ZE2-861 | | - | (1) | - | 3724890 | L1/A,Q1/A,S1/A |
| 12 | 90380-MA6-010 | SCREW, SPECIAL, 6X12 | - | (1) | - | | |

2



2

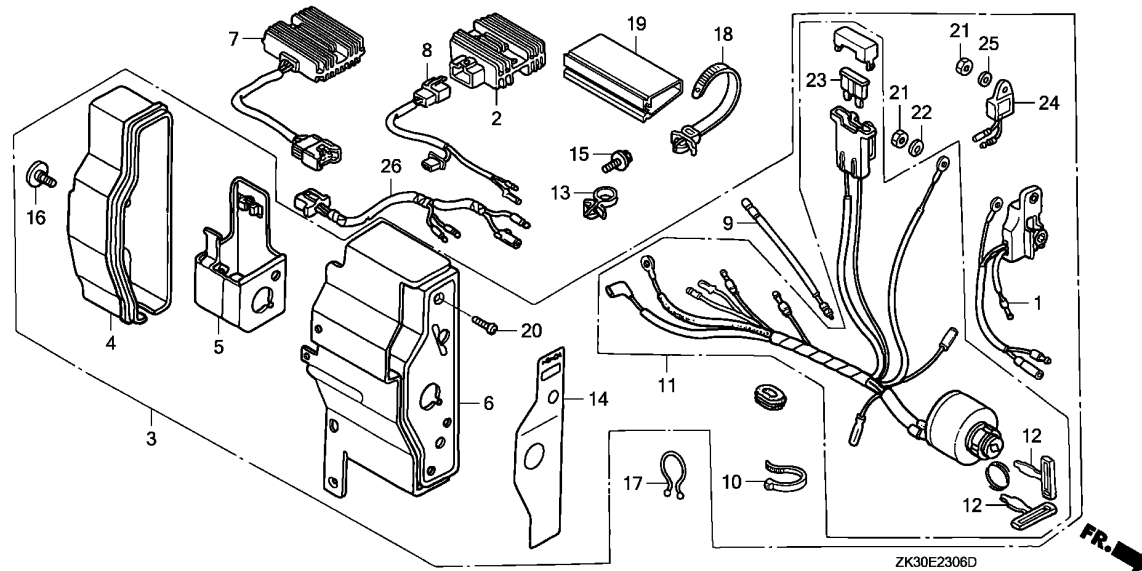
| Ref. No. | Part No. | Description | Reqd. QTY | | | Serial No. | Parts catalogue code |
|----------|----------------|---------------------------|-----------|-------|-----|------------|----------------------|
| | | | GX | 340K1 | | | |
| | | | (1) | (2) | (3) | | |
| 13 | 93500-04012-0H | SCREW, PAN, 4X12 | - | (1) | - | | |
| 14 | 94001-04390-OS | NUT, HEX., 4MM | - | (1) | - | | |
| 15 | 94111-04800 | WASHER, SPRING, 4MM | - | (1) | - | | |
| 16 | 98200-32500 | FUSE, BLADE (25A) | - | (1) | - | | |



| Ref. No. | L.O.N. | (Relative ref. Number) Description | F.R.T. |
|----------|--------|------------------------------------|--------|
| 1 | | (24) | |
| 1 | 6151K4 | ALERT UNIT, ENGINE CONTROL OIL | 0.2 |
| 2 | 6131B7 | RECTIFIER, REGULATOR | 0.2 |
| 3 | 6221N7 | BOX, ENGINE CONTROL | 0.1 |
| 6 | 6151K5 | PANEL, ENGINE CONTROL | 0.2 |
| 7 | 6131B7 | RECTIFIER, REGULATOR | 0.2 |
| 11 | 6151E1 | SWITCH, COMBINATION | 0.2 |
| 23 | 8121A7 | FUSE, BLADE | 0.1 |

| Ref. No. | Part No. | Description | Reqd. QTY | | | Serial No. | Parts catalogue code |
|----------|-----------------|--------------------------------------|-----------|-------|-----|------------|---------------------------------------|
| | | | GX | 340K1 | | | |
| | | | (1) | (2) | (3) | | |
| 1 | 15520-ZE2-822 | ALERT UNIT, OIL (SEL) | 1 | - | - | 2143683 | QAPE,QNE |
| 2 | 31600-ZE2-861 | RECTIFIER ASSY., REGULATOR (10A) | 1 | - | - | | QAPE,QNE,QNE2,QNE2/A,QNE9,QNE9/A,QPE2 |
| 3 | 31610-ZE3-W31ZB | BOX ASSY., CONTROL (ALERT) (10A) | 1 | - | - | | QAPE,QNE |
| | *R8* | BRIGHT RED | 1 | - | - | 2143683 | QAPE,QNE |
| | 31610-ZE3-W32ZA | BOX ASSY., CONTROL (10A) | 1 | - | - | | QNE9,QNE9/A |
| | *NH1* | BLACK | 1 | - | - | 2801237 | QPE2 |
| | 31610-ZE3-W32ZB | *R8* BRIGHT RED | 1 | - | - | 2143684 | QAPE,QNE |
| | | | 1 | - | - | 2801237 | QNE2 |
| | 31610-ZE3-W41ZB | BOX ASSY., CONTROL (18A) | 1 | - | - | | QNR2,QN18 |
| | *R8* | BRIGHT RED | 1 | - | - | 2801237 | QNR2,QN18 |
| | 31610-ZE3-W33ZA | BOX ASSY., CONTROL (EXP-ALERT) (10A) | 1 | - | - | | QPE2 |
| | *NH1* | BLACK | 1 | - | - | 2801238 | QNE9 |
| | 31610-ZE3-W33ZB | *R8* BRIGHT RED | 1 | - | - | 2801238 | QNE2 |
| | | | 1 | - | - | 3664906 | QNE2/A,QNE9/A |
| | 31610-ZE3-W42ZA | BOX ASSY., CONTROL (EXP-ALERT) (18A) | 1 | - | - | | QL2,QNR2/A |
| | *NH1* | BLACK | 1 | - | - | 2801238 | QNR2 |
| | 31610-ZE3-W42ZB | *R8* BRIGHT RED | 1 | - | - | 2801238 | QNR2,QN18 |
| | | | 1 | - | - | 3663867 | QNR2/A |
| | 31610-ZE3-W33ZD | BOX ASSY., CONTROL (EXP-ALERT) (10A) | 1 | - | - | | QNE2/A,QNE9/A |
| | *R280* | POWER RED | 1 | - | - | 3664907 | QNE2/A,QNE9/A |

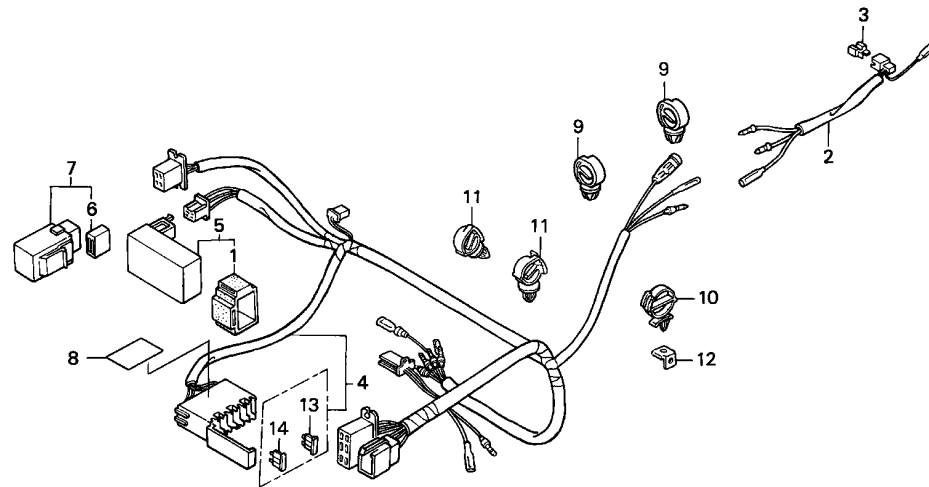




| Ref. No. | Part No. | Description | Reqd. QTY | | | Serial No. | Parts catalogue code |
|----------|-----------------|---|-----------|-----|-----|------------|--|
| | | | GX | (1) | (2) | | |
| (3) | 31610-ZE3-W42ZD | BOX ASSY., CONTROL (EXP-ALERT) (18A) | | | | | |
| | | *R280*.....POWER RED | 1 | - | - | 3663868 | ----- QNR2/A |
| 4 | 31612-ZE2-003 | CASE, CONTROL | 1 | - | - | ----- | QAPE,QL2,QNE,QNE2,QNE2/A,QNE9,QNE9/A,QNR2,QNR2/A,QN18,QPE2 |
| 5 | 31614-ZE2-003 | BRACKET, CASE MOUNTING | 1 | - | - | ----- | QAPE,QL2,QNE,QNE2,QNE2/A,QNE9,QNE9/A,QNR2,QNR2/A,QN18,QPE2 |
| 6 | 31615-ZE3-003ZA | PANEL COMP., CONTROL | | | | | |
| | | *NH1*.....BLACK | 1 | - | - | ----- | QAE2,QAE2/A,QL2,QNE9,QNE9/A,QNR2,QNR2/A,QPE2 |
| | 31615-ZE3-003ZB | *R8*.....BRIGHT RED | 1 | - | - | ----- | QAPE,QNE,QNE2,QNE9,QNR2,QN18 |
| | | | 1 | - | - | 3662149 | ----- QNE2/A,QNE9/A,QNR2/A |
| | 31615-ZE3-003ZE | *R280*.....POWER RED | 1 | - | - | 3662150 | ----- QNE2/A,QNE9/A,QNR2/A |
| 7 | 31620-ZG5-003 | RECTIFIER ASSY., REGULATOR (20A) | 1 | - | - | ----- | QNR2,QN18 |
| | 31620-ZG5-013 | | 1 | - | - | ----- | QNR2/A |
| 8 | 32110-ZE2-860 | HARNESS ASSY., SUB WIRE | 1 | - | - | ----- | QAPE,QNE,QNE2,QNE2/A,QNE9,QNE9/A,QPE2 |
| 9 | 32197-ZE1-003 | SUB HARNESS | 1 | - | - | ----- | QL2,QNE2,QNE2/A,QNE9,QNE9/A,QNR2,QNR2/A,QN18,QPE2 |
| 10 | 32902-892-003 | BAND | 1 | - | - | ----- | QAPE,QL2,QNE,QNE2,QNE2/A,QNE9,QNE9/A,QNR2,QNR2/A,QN18,QPE2 |
| 11 | 35100-ZE2-862 | SWITCH ASSY., COMBINATION (10A-CHARGE) | 1 | - | - | ----- | QAPE,QNE,QNE2,QNE2/A,QNE9,QNE9/A,QPE2 |
| | 35100-ZE2-W01 | SWITCH ASSY., COMBINATION (18A-CHARGE) | 1 | - | - | ----- | QL2,QNR2,QNR2/A,QN18 |
| 12 | 35111-880-003 | KEY COMP. | 2 | - | - | ----- | QAPE,QL2,QNE,QNE2,QNE9,QNR2 |
| | | | 2 | - | - | 3792398 | ----- QNE2/A,QNE9/A,QNR2/A |
| | | | 2 | - | - | 3838382 | ----- QN18,QPE2 |
| | 35111-880-013 | | 2 | - | - | 3792399 | ----- QNE2/A,QNE9/A,QNR2/A |
| | | | 2 | - | - | 3838383 | ----- QN18,QPE2 |
| 13 | 36103-ZE1-000 | HOLDER, STOP SWITCH CORD | 1 | - | - | ----- | QAPE,QL2,QNE,QNE2,QNE2/A,QNE9,QNE9/A,QNR2,QNR2/A,QN18,QPE2 |

| Ref. No. | Part No. | Description | Reqd. QTY | | | Serial No. | Parts catalogue code |
|----------|----------------|--|-----------|-----|-----|------------|--|
| | | | (1) | (2) | (3) | | |
| 14 | 87529-ZE2-870 | MARK, CONTROL BOX (EXTERNAL-ALERT)(REGULATOR) | 1 | - | - | 2143683 | QAPE,QNE |
| | 87529-ZE2-860 | MARK, CONTROL BOX (EXTERNAL-REGULATOR) | 1 | - | - | | QL2,QNE2,QNE9,QNR2,QN18,QPE2 |
| | | | 1 | - | - | 2143684 | QAPE,QNE |
| | | | 1 | - | - | 3724889 | QNE2/A,QNE9/A,QNR2/A |
| | 87529-ZE2-861 | | 1 | - | - | 3724890 | QNE2/A,QNE9/A,QNR2/A |
| 15 | 90013-883-000 | BOLT, FLANGE, 6X12(CT200) ... | 2 | - | - | | QAPE,QL2,QNE,QNR2,QNR2/A,QN18 |
| | | | 2 | - | - | 2644833 | QNE2,QNE9,QPE2 |
| 16 | 90380-MA6-010 | SCREW, SPECIAL, 6X12 | 1 | - | - | | QAPE,QL2,QNE,QNE2,QNE2/A,QNE9,QNE9/A,QNR2,QNR2/A,QN18,QPE2 |
| 17 | 90630-751-000 | CLIP, PURSE LOCK | 1 | - | - | | QAPE,QL2,QNE,QNE2,QNE2/A,QNE9,QNE9/A,QNR2,QNR2/A,QN18,QPE2 |
| 18 | 90672-SAO-003 | STRAP, CABLE, 118MM(BLACK) .. | 1 | - | - | | QAPE,QL2,QNE,QNE2,QNE2/A,QNE9,QNE9/A,QNR2,QNR2/A,QN18,QPE2 |
| 19 | 91406-ZE2-003 | TUBE, FASTENER, 30MM | 1 | - | - | | QAPE,QL2,QNE,QNE2,QNE2/A,QNE9,QNE9/A,QNR2,QNR2/A,QN18,QPE2 |
| 20 | 93500-04012-OH | SCREW, PAN, 4X12 | 1 | - | - | | QAPE,QL2,QNE,QNE2,QNE2/A,QNE9,QNE9/A,QNR2,QNR2/A,QN18,QPE2 |
| 21 | 94001-04390-0S | NUT, HEX., 4MM | 1 | - | - | 2801237 | QNE2,QNR2,QN18,QPE2 |
| | | | 2 | - | - | | QL2,QNE2/A,QNE9,QNE9/A,QNR2/A |
| | | | 2 | - | - | 2143683 | QAPE,QNE |
| | | | 1 | - | - | 2143684 | QAPE,QNE |
| | | | 2 | - | - | 2801238 | QNE2,QNR2,QN18,QPE2 |
| 22 | 94111-04800 | WASHER, SPRING, 4MM | 1 | - | - | | QAPE,QL2,QNE,QNE2,QNE2/A,QNE9,QNE9/A,QNR2,QNR2/A,QN18,QPE2 |
| 23 | 98200-31500 | FUSE, BLADE (15A) | 1 | - | - | | QAPE,QNE,QNE2,QNE2/A,QNE9,QNE9/A,QPE2 |
| | 98200-32500 | FUSE, BLADE (25A) | 1 | - | - | | QL2,QNR2,QNR2/A,QN18 |
| 24 | 34150-ZH7-003 | ALERT UNIT, OIL | 1 | - | - | | QL2,QNE2/A,QNE9,QNE9/A,QNR2/A |
| | | | 1 | - | - | 2801238 | QNE2,QNR2,QN18,QPE2 |
| | | | 1 | - | - | 2143683 | QAPE,QNE |
| 25 | 94101-04800 | WASHER, PLAIN, 4MM | 1 | - | - | | QL2,QNE2/A,QNE9,QNE9/A,QNR2/A |
| | | | 1 | - | - | 2801238 | QNE2,QNR2,QN18,QPE2 |
| | | | 1 | - | - | 2143683 | QAPE,QNE |
| 26 | 32110-ZE2-W00 | HARNESS ASSY., SUB WIRE | 1 | - | - | | QNR2,QNR2/A,QN18 |



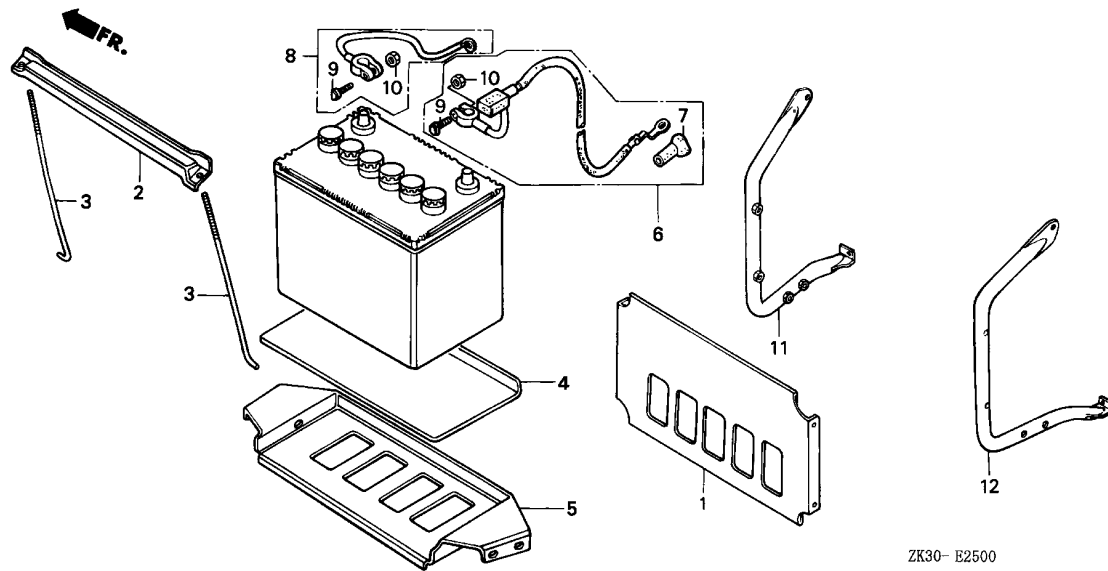


ZK30-E2320A

| Ref. No. | L.O.N. | (Relative ref. Number) Description | F.R.T. |
|----------|--------|------------------------------------|--------|
| 2 | 6211C6 | DIODE, SOLENOID | 0.1 |
| 4 | 6111D3 | HARNESS, SUB WIRE | 0.4 |
| 5 | 6211C7 | CONTROL UNIT, SOLENOID | 0.2 |
| 7 | 6151F6 | TIMER UNIT | 0.2 |
| 13 | | (14) | |
| | 8121A7 | FUSE, BLADE | 0.1 |

.NOTE: Same time for two units

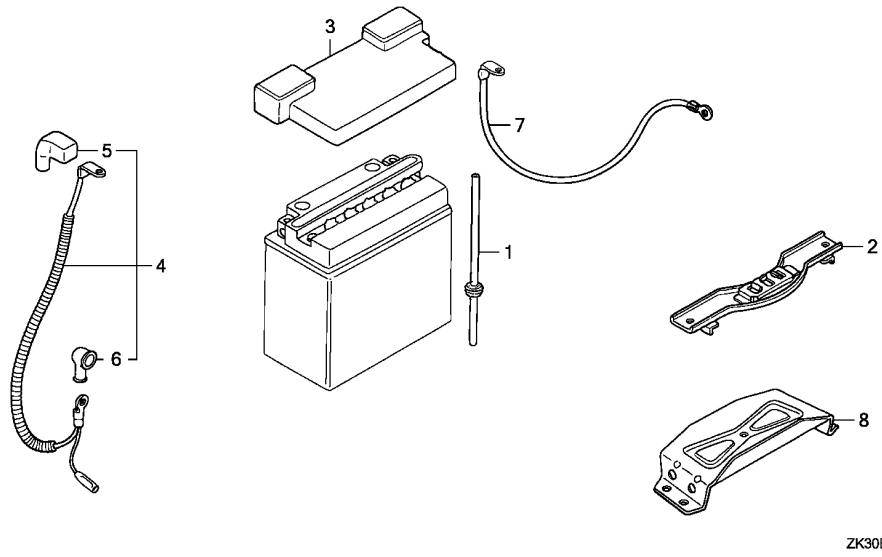
| Ref. No. | Part No. | Description | Reqd. QTY | | | Serial No. | Parts catalogue code |
|----------|---------------|---------------------------------------|-----------|-------|-----|------------|----------------------|
| | | | GX | 340K1 | | | |
| | | | (1) | (2) | (3) | | |
| 1 | 30401-HA0-000 | CUSHION, C.D.I. UNIT | 1 | - | - | ----- | EDS5 |
| 2 | 31700-ZB7-003 | DIODE ASSY., SOLENOID | 1 | - | - | ----- | EDS5 |
| 3 | 31700-166-008 | RECTIFIER COMP., SILICON | 1 | - | - | ----- | EDS5 |
| 4 | 32100-ZB7-A00 | HARNESS ASSY., SUB WIRE | 1 | - | - | 2639737 | EDS5 |
| | 32100-ZB7-A01 | | 1 | - | - | 2639738 | EDS5 |
| 5 | 36150-ZB7-A01 | CONTROL UNIT, SOLENOID | 1 | - | - | ----- | EDS5 |
| 6 | 38306-KK4-000 | SUSPENSION, WINKER RELAY (MITSUBA) | 1 | - | - | ----- | EDS5 |
| 7 | 39500-ZB7-003 | TIMER UNIT | 1 | - | - | ----- | EDS5 |
| 8 | 87117-ZB7-A30 | LABEL, FUSE | 1 | - | - | ----- | EDS5 |
| 9 | 90683-SA0-003 | CLIP, WIRE HARNESS, 25MM | 2 | - | - | ----- | EDS5 |
| 10 | 90690-SA0-003 | STRAP, WIRE HARNESS, 25MM (BLACK) | 1 | - | - | ----- | EDS5 |
| 11 | 90691-ZB7-003 | CLIP, HARNESS | 2 | - | - | ----- | EDS5 |
| 12 | 90700-ZB7-000 | BASE, CORD CLIP | 1 | - | - | ----- | EDS5 |
| 13 | 98200-30500 | FUSE, BLADE (5A) | 1 | - | - | ----- | EDS5 |
| 14 | 98200-31000 | FUSE, BLADE (10A) | 1 | - | - | ----- | EDS5 |



| Ref. No. | L.O.N. | (Relative ref. Number) Description | F.R.T. |
|----------|--------|------------------------------------|--------|
| 5 | 4101T4 | TRAY, BATTERY | 0.2 |
| 6 | 610115 | CABLE, BATTERY STARTER | 0.2 |
| 8 | 6101A8 | CABLE, BATTERY EARTH | 0.2 |
| 11 | 6101A9 | GUARD, BATTERY :FRONT | 0.1 |
| 12 | 6101B0 | GUARD, BATTERY :REAR | 0.1 |

| Ref. No. | Part No. | Description | Reqd. QTY | | | Serial No. | Parts catalogue code |
|----------|-----------------|-------------------------------|-----------|-------|-----|-----------------------|----------------------|
| | | | GX | 340K1 | | | |
| | | | (1) | (2) | (3) | | |
| 1 | 31511-ZB4-000 | PLATE, BATTERY GUARD | 1 | - | - | ES4,ES4/A,VS5,VS6,VS7 | |
| 2 | 31512-880-810 | PLATE, BATTERY SETTING | 1 | - | - | ES4,ES4/A,VS5,VS6,VS7 | |
| 3 | 31513-634-000 | BOLT, BATTERY SETTING, 220MM | 2 | - | - | ES4,ES4/A,VS5,VS6,VS7 | |
| 4 | 31521-880-000 | PLATE, BATTERY | 1 | - | - | ES4,ES4/A,VS5,VS6,VS7 | |
| 5 | 31550-899-000 | BASE, BATTERY TRAY | 1 | - | - | ES4,ES4/A,VS5,VS6,VS7 | |
| 6 | 32410-ZB4-620 | CABLE ASSY., STARTING | 1 | - | - | ES4,ES4/A,VS5,VS6,VS7 | |
| 7 | 32411-253-000 | COVER, STARTER MOTOR TERMINAL | 1 | - | - | ES4,ES4/A,VS5,VS6,VS7 | |
| 8 | 32430-ZB4-620 | CABLE ASSY., EARTH | 1 | - | - | ES4,ES4/A,VS5,VS6,VS7 | |
| 9 | 32601-SK7-900 | BOLT, BATTERY TERMINAL | 2 | - | - | ES4,ES4/A,VS5,VS6,VS7 | |
| 10 | 32602-SK7-900 | NUT, BATTERY TERMINAL | 2 | - | - | ES4,ES4/A,VS5,VS6,VS7 | |
| 11 | 50365-ZD1-E30ZA | GUARD, FR. BATTERY | 1 | - | - | ES4,ES4/A | |
| | | *NH105*...MAT BLACK (#15-#20) | 1 | - | - | ES4,ES4/A | |
| | 50365-ZD1-E30ZB | *NH1*.....BLACK | 1 | - | - | ES4,ES4/A | |
| 12 | 50375-ZD1-E30ZA | GUARD, RR. BATTERY | 1 | - | - | ES4,ES4/A | |
| | | *NH105*...MAT BLACK (#15-#20) | 1 | - | - | ES4,ES4/A | |
| | 50375-ZD1-E30ZB | *NH1*.....BLACK | 1 | - | - | ES4,ES4/A | |

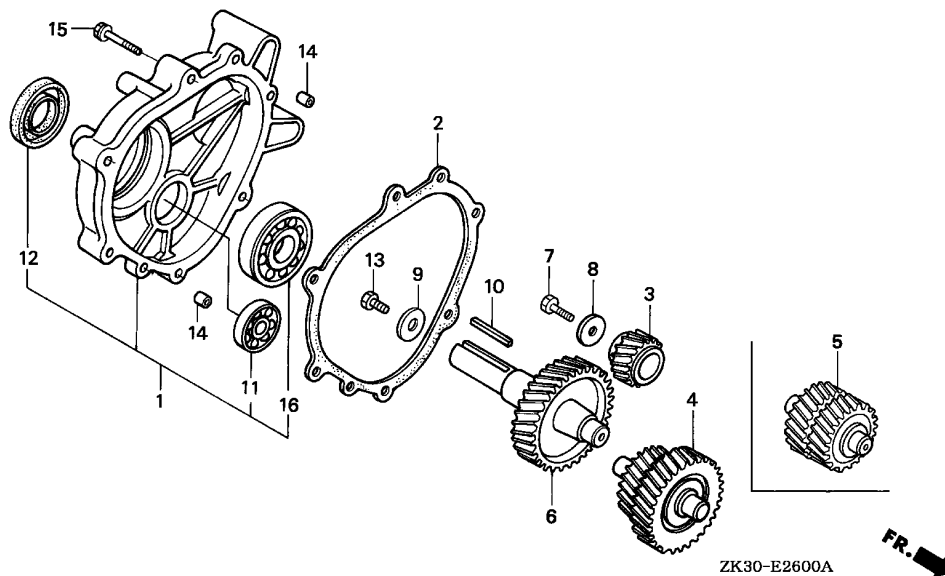




FR.

| Ref. No. | L.O.N. | (Relative ref. Number) Description | F.R.T. |
|----------|--------|---------------------------------------|--------|
| 2 | 6101B5 | PLATE, BATTERY SETTING | 0.1 |
| 4 | 6101B1 | CABLE, BATTERY STARTER(A) | 0.1 |
| 7 | 6101B2 | CABLE, BATTERY EARTH(A) | 0.1 |

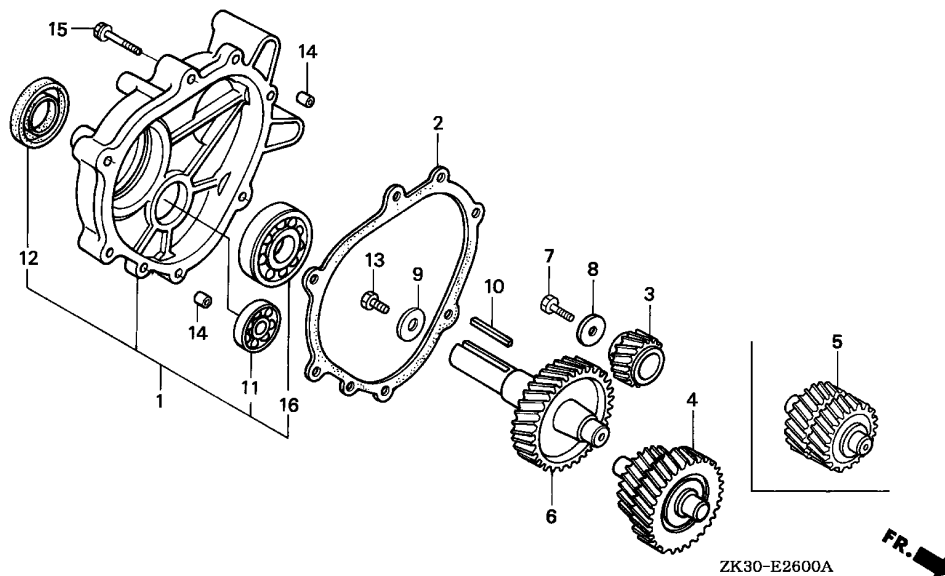
| Ref. No. | Part No. | Description | Reqd. QTY | | | Serial No. | Parts catalogue code |
|----------|---------------|--------------------------------|-----------|-------|-----|------------|----------------------|
| | | | GX | 340K1 | | | |
| | | | (1) | (2) | (3) | | |
| 1 | 31507-ZB7-000 | TUBE, BATTERY BREATHER | 1 | - | - | ----- | EDS5 |
| 2 | 31512-ZB7-000 | PLATE, BATTERY SETTING | 1 | - | - | ----- | EDS5 |
| 3 | 31513-ZB7-000 | COVER, BATTERY | 1 | - | - | ----- | EDS5 |
| 4 | 32410-ZB7-A00 | CABLE ASSY., STARTING | 1 | - | - | ----- | EDS5 |
| 5 | 32412-471-000 | COVER, BATTERY TERMINAL | 1 | - | - | ----- | EDS5 |
| 6 | 32416-460-000 | COVER B, MAGNETIC SWITCH | 1 | - | - | ----- | EDS5 |
| 7 | 32430-ZB7-000 | CABLE ASSY., EARTH | 1 | - | - | ----- | EDS5 |
| 8 | 50319-ZB7-000 | BASE, BATTERY | 1 | - | - | ----- | EDS5 |



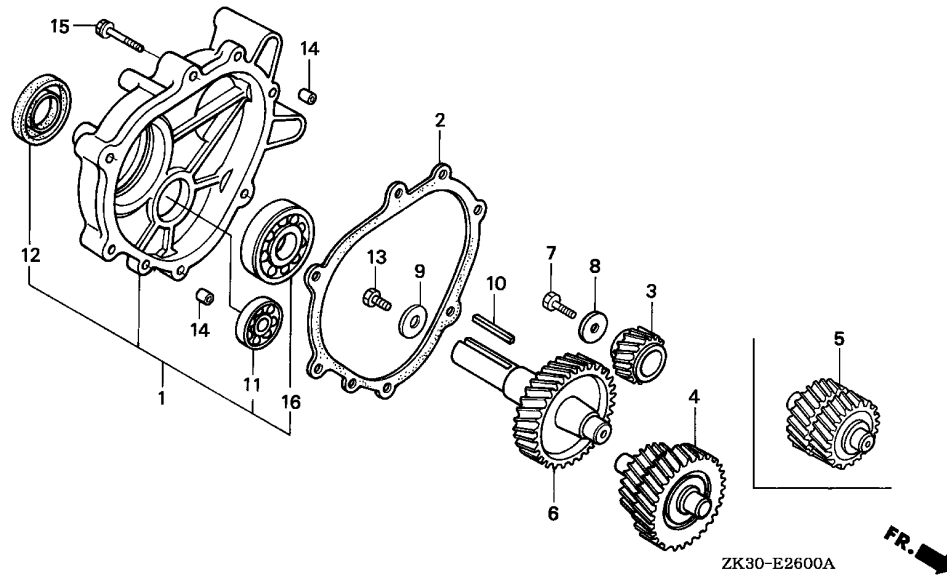
| Ref. No. | L.O.N. | (Relative ref. Number) Description | F.R.T. |
|----------|--------|---|--------|
| 1 | | (2) | |
| 2141L1 | | COVER, REDUCTION GEAR CASE ... | 0.2 |
| 3 | 2141L2 | GEAR, PRIMARY DRIVE | 0.2 |
| 4 | | (5) | |
| 2091A2 | | COUNTERSHAFT | 0.3 |
| 6 | 2141H4 | SHAFT, POWER TAKE OFF | 0.3 |
| 11 | 2101U4 | BEARING, COUNTERSHAFT :REAR .. | 0.3 |
| 12 | 2141F2 | OIL SEAL, POWER TAKE OFF SHAFT | 0.3 |
| 16 | 2141L0 | BEARING, POWER TAKE OFF SHAFT :REAR | 0.3 |

| Ref. No. | Part No. | Description | Reqd. QTY | | | Serial No. | Parts catalogue code |
|----------|---------------|-------------------------------|-----------|-----|-----|------------|---|
| | | | GX | (1) | (2) | | |
| 1 | 11500-ZE3-611 | COVER ASSY., GEAR CASE | 1 | 1 | - | | LH,LH/A,LHB1,LHB3,LHB3/A,LHB5,LHC,LHE,LHE/A,LHQ4,LHQ4/A,LHW,LJ LJ/A,LJG,LJG/A,LJS,LJS/A,LJS1,LKE,LKE/A,LP,LSX,LWD,LWD1/A,LX LX/A,LXE,LXE/A,LXE2,LXE2/A,LXE4,LXE4/A,LXE6,LXE8,LXE8/A,LXQ4 LXQ4/A,LXU,LXU/A,LXZ,LX2,LX2/A,LX26,LX26/A,L1,L1/A,ZK1,ZK1/A |
| | 11500-ZE3-620 | | 1 | - | - | | BJ |
| | 11500-ZK3-800 | | 1 | - | - | | LT,LT/A |
| 2 | 11521-ZE2-610 | PACKING, CHAIN CASE COVER ... | 1 | (1) | - | 2178372 | BJ,LJ,LP,LXZ,L1 |
| | 11521-ZE2-800 | | 1 | 1 | - | | LH,LH/A,LHB1,LHB3,LHB3/A,LHB5,LHC,LHE,LHE/A,LHQ4,LHQ4/A,LHW,LJ/A LJG,LJG/A,LJS,LJS/A,LJS1,LKE,LKE/A,LSX,LT,LT/A,LWD,LWD1,LWD1/A,LX LX/A,LXE,LXE/A,LXE2,LXE2/A,LXE4,LXE4/A,LXE6,LXE8,LXE8/A,LXQ4 LXQ4/A,LXU,LXU/A,LX2,LX2/A,LX26,LX26/A,L1/A,ZK1,ZK1/A |
| 3 | 22103-ZE3-610 | GEAR, PRIMARY DRIVE (22T) ... | 1 | 1 | - | 2178373 | BJ,LJ,LP,LXZ,L1 |
| | 22103-ZE3-W00 | GEAR, PRIMARY DRIVE (BANKA) . | 1 | - | - | | BJ,LH,LH/A,LHB1,LHB3,LHB3/A,LHB5,LHC,LHE,LHE/A,LHQ4,LHQ4/A,LHW,LJ LJ/A,LJG,LJG/A,LJS,LJS/A,LJS1,LKE,LKE/A,LSX,LT,LT/A,LWD,LWD1 LWD1/A,LX,LX/A,LXE,LXE/A,LXE2,LXE2/A,LXE4,LXE4/A,LXE6,LXE8,LXE8/A LXQ4,LXQ4/A,LXU,LXU/A,LXZ,LX2,LX2/A,LX26,LX26/A,L1,L1/A,ZK1,ZK1/A |
| 4 | 23220-ZE3-610 | COUNTERSHAFT COMP. | 1 | 1 | - | | LP |
| | 23222-ZE3-W00 | GEAR, COUNTER (BANKA) | 1 | - | - | | BJ,LH,LH/A,LHB1,LHB3,LHB3/A,LHB5,LHC,LHE,LHE/A,LHQ4,LHQ4/A,LHW,LJ LJ/A,LJG,LJG/A,LJS,LJS/A,LJS1,LKE,LKE/A,LSX,LT,LT/A,LWD,LWD1 LWD1/A,LX,LX/A,LXE,LXE/A,LXE2,LXE2/A,LXE4,LXE4/A,LXE6,LXE8,LXE8/A LXQ4,LXQ4/A,LXU,LXU/A,LXZ,LX2,LX2/A,LX26,LX26/A,L1,L1/A,ZK1,ZK1/A |
| 5 | 23222-ZE3-W00 | GEAR, COUNTER (BANKA) | 1 | - | - | | LP |
| 6 | 23710-ZE3-610 | SHAFT, P.T.O. (33T) | 1 | 1 | - | | LH,LH/A,LHB1,LHB3,LHB3/A,LHB5,LHC,LHE,LHE/A,LHQ4,LHQ4/A,LHW,LJ LJ/A,LJG,LJG/A,LJS,LJS/A,LJS1,LKE,LKE/A,LP,LSX,LWD,LWD1,LWD1/A,LX LX/A,LXE,LXE/A,LXE2,LXE2/A,LXE4,LXE4/A,LXE6,LXE8,LXE8/A,LXQ4 LXQ4/A,LXU,LXU/A,LXZ,LX2,LX2/A,LX26,LX26/A,L1,L1/A,ZK1,ZK1/A |
| | 23710-ZE3-620 | | 1 | - | - | | BJ |
| | 23710-ZK3-800 | | 1 | - | - | | LT,LT/A |



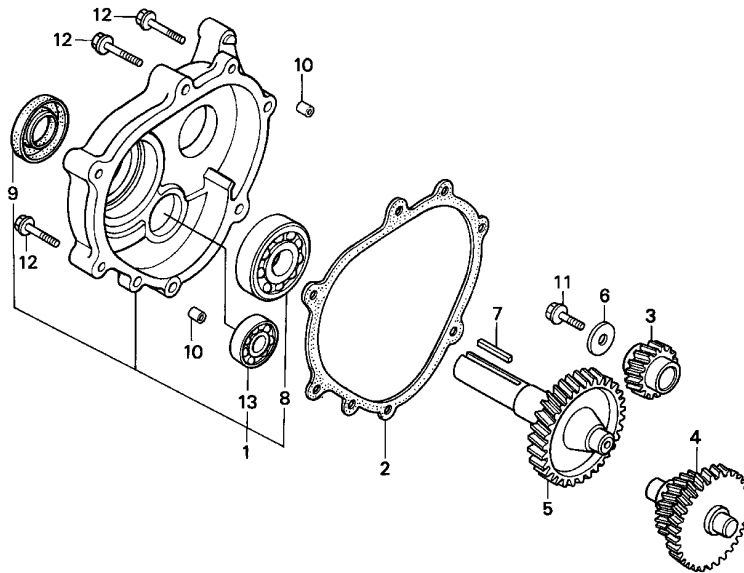


| Ref. No. | Part No. | Description | Reqd. QTY | | | Serial No. | Parts catalogue code |
|----------|---------------|----------------------------------|-----------|-----|-----|---|----------------------|
| | | | (1) | (2) | (3) | | |
| 7 | 90107-959-003 | BOLT, HEX., 8X25 | 1 | 1 | - | BJ, LH, LH/A, LHB1, LHB3, LHB3/A, LHB5, LHC, LHE, LHE/A, LHQ4, LHQ4/A, LHW, LJ, LJ/A, LJG, LJG/A, LJS, LJS/A, LJS1, LKE, LKE/A, LP, LSX, LT, LT/A, LWD, LWD1, LWD1/A, LX, LX/A, LXE, LXE/A, LXE2, LXE2/A, LXE4, LXE4/A, LXE6, LXE8, LXE8/A, LXQ4, LXQ4/A, LXU, LXU/A, LXZ, LX2, LX2/A, LX26, LX26/A, L1, L1/A, ZK1, ZK1/A | |
| 8 | 90473-ZE3-010 | WASHER, 8MM | 1 | 1 | - | BJ, LH, LH/A, LHB1, LHB3, LHB3/A, LHB5, LHC, LHE, LHE/A, LHQ4, LHQ4/A, LHW, LJ, LJ/A, LJG, LJG/A, LJS, LJS/A, LJS1, LKE, LKE/A, LP, LSX, LT, LT/A, LWD, LWD1, LWD1/A, LX, LX/A, LXE, LXE/A, LXE2, LXE2/A, LXE4, LXE4/A, LXE6, LXE8, LXE8/A, LXQ4, LXQ4/A, LXU, LXU/A, LXZ, LX2, LX2/A, LX26, LX26/A, L1, L1/A, ZK1, ZK1/A | |
| 9 | 90471-ZE3-000 | WASHER, 10.5X40X4 | 1 | - | - | BJ | |
| | 90534-706-010 | WASHER, LOCK, 8MM | 1 | (1) | - | LJ, LJ/A, LJG, LJG/A, LJS, LJS/A, LJS1, LWD, L1, L1/A | |
| 10 | 90741-805-000 | KEY, 7X7X33 | 1 | (1) | - | BJ, LH, LH/A, LHB1, LHB3, LHB3/A, LHB5, LHC, LHE, LHE/A, LHQ4, LHQ4/A, LHW, LJ, LJ/A, LJG, LJG/A, LJS, LJS/A, LJS1, LKE, LKE/A, LP, LSX, LWD, LX, LX/A, LXE, LXE/A, LXE2, LXE2/A, LXE4, LXE4/A, LXE6, LXE8, LXE8/A, LXQ4, LXQ4/A, LXU, LXU/A, LXZ, LX2, LX2/A, LX26, LX26/A, L1, L1/A | |
| | 90741-889-810 | KEY, 7X7X33(YELLOW) | (1) | - | - | LWD1, LWD1/A | |
| | 90745-ZK2-800 | KEY, 6.3X6.3X33 | (1) | (1) | - | BJ, LH, LH/A, LHB1, LHB3, LHB3/A, LHB5, LHC, LHE, LHE/A, LHQ4, LHQ4/A, LHW, LJ, LJ/A, LJG, LJG/A, LJS, LJS/A, LJS1, LKE, LKE/A, LP, LSX, LT, LT/A, LWD, LWD1, LWD1/A, LX, LX/A, LXE, LXE/A, LXE2, LXE2/A, LXE4, LXE4/A, LXE6, LXE8, LXE8/A, LXQ4, LXQ4/A, LXU, LXU/A, LXZ, LX2, LX2/A, LX26, LX26/A, L1, L1/A | |
| | 90741-ZE3-L60 | KEY, 7X7X40 | 1 | - | - | LT, LT/A | |
| | | | 1 | - | - | ZK1, ZK1/A | |
| 11 | 91009-KJ1-003 | BEARING, RADIAL BALL, 6202 (NTN) | 1 | 1 | - | BJ, LH, LH/A, LHB1, LHB3, LHB3/A, LHB5, LHC, LHE, LHE/A, LHQ4, LHQ4/A, LHW, LJ, LJ/A, LJG, LJG/A, LJS, LJS/A, LJS1, LKE, LKE/A, LP, LSX, LT, LT/A, LWD, LWD1, LWD1/A, LX, LX/A, LXE, LXE/A, LXE2, LXE2/A, LXE4, LXE4/A, LXE6, LXE8, LXE8/A, LXQ4, LXQ4/A, LXU, LXU/A, LXZ, LX2, LX2/A, LX26, LX26/A, L1, L1/A, ZK1, ZK1/A | |



| Ref. No. | Part No. | Description | Reqd. QTY | | | Serial No. | Parts catalogue code |
|----------|----------------|-------------------------------|-----------|-----|-----|------------|--|
| | | | (1) | (2) | (3) | | |
| 12 | 91201-890-003 | OIL SEAL, 30X46X8 | 1 | 1 | - | ----- | LH,LH/A,LHB1,LHB3,LHB3/A,LHB5,LHC,LHE,LHE/A,LHQ4,LHQ4/A,LHW,LJ LJ/A,LJG,LJG/A,LJS,LJS/A,LJS1,LKE,LKE/A,LP,LSX,LT,LT/A,LWD,LWD1 LWD1/A,LX,LX/A,LXE,LXE/A,LXE2,LXE2/A,LXE4,LXE4/A,LXE6,LXE8,LXE8/A LXQ4,LXQ4/A,LXU,LXU/A,LXZ,LX2,LX2/A,LX26,LX26/A,L1,L1/A,ZK1,ZK1/A |
| | 91201-ZE3-004 | OIL SEAL, 35X52X8 | 1 | - | - | ----- | BJ |
| 13 | 92000-08025-0A | BOLT, HEX., 8X25 | - | (1) | - | ----- | L1 |
| | 92000-10025-0A | BOLT, HEX., 10X25 | 1 | - | - | ----- | L1/A,S1/A |
| | 92101-08025-0A | BOLT, HEX., 8X25 | 1 | - | - | ----- | BJ |
| | | | - | (1) | - | 4077287 | LJ,LJ/A,LJG,LJG/A,LJS,LJS/A,LJS1,LWD L1/A,S1/A |
| 14 | 94301-08140 | DOWEL PIN, 8X14 | 2 | 2 | - | ----- | BJ,LH,LH/A,LHB1,LHB3,LHB3/A,LHB5,LHC,LHE,LHE/A,LHQ4,LHQ4/A,LHW,LJ LJ/A,LJG,LJG/A,LJS,LJS/A,LJS1,LKE,LKE/A,LP,LSX,LT,LT/A,LWD,LWD1 LWD1/A,LX,LX/A,LXE,LXE/A,LXE2,LXE2/A,LXE4,LXE4/A,LXE6,LXE8,LXE8/A LXQ4,LXQ4/A,LXU,LXU/A,LXZ,LX2,LX2/A,LX26,LX26/A,L1,L1/A,ZK1,ZK1/A |
| 15 | 95701-08040-00 | BOLT, FLANGE, 8X40 | 6 | 6 | - | ----- | BJ,LH,LH/A,LHB1,LHB3,LHB3/A,LHB5,LHC,LHE,LHE/A,LHQ4,LHQ4/A,LHW,LJ LJ/A,LJG,LJG/A,LJS,LJS/A,LJS1,LKE,LKE/A,LP,LSX,LT,LT/A,LWD,LWD1 LWD1/A,LX,LX/A,LXE,LXE/A,LXE2,LXE2/A,LXE4,LXE4/A,LXE6,LXE8,LXE8/A LXQ4,LXQ4/A,LXU,LXU/A,LXZ,LX2,LX2/A,LX26,LX26/A,L1,L1/A,ZK1,ZK1/A |
| 16 | 96100-62060-00 | BEARING, RADIAL BALL, 6206 .. | 1 | 1 | - | ----- | LH,LH/A,LHB1,LHB3,LHB3/A,LHB5,LHC,LHE,LHE/A,LHQ4,LHQ4/A,LHW,LJ LJ/A,LJG,LJG/A,LJS,LJS/A,LJS1,LKE,LKE/A,LP,LSX,LT,LT/A,LWD,LWD1 LWD1/A,LX,LX/A,LXE,LXE/A,LXE2,LXE2/A,LXE4,LXE4/A,LXE6,LXE8,LXE8/A LXQ4,LXQ4/A,LXU,LXU/A,LXZ,LX2,LX2/A,LX26,LX26/A,L1,L1/A,ZK1,ZK1/A |
| | 96100-62070-00 | BEARING, RADIAL BALL, 6207 .. | 1 | - | - | ----- | BJ |

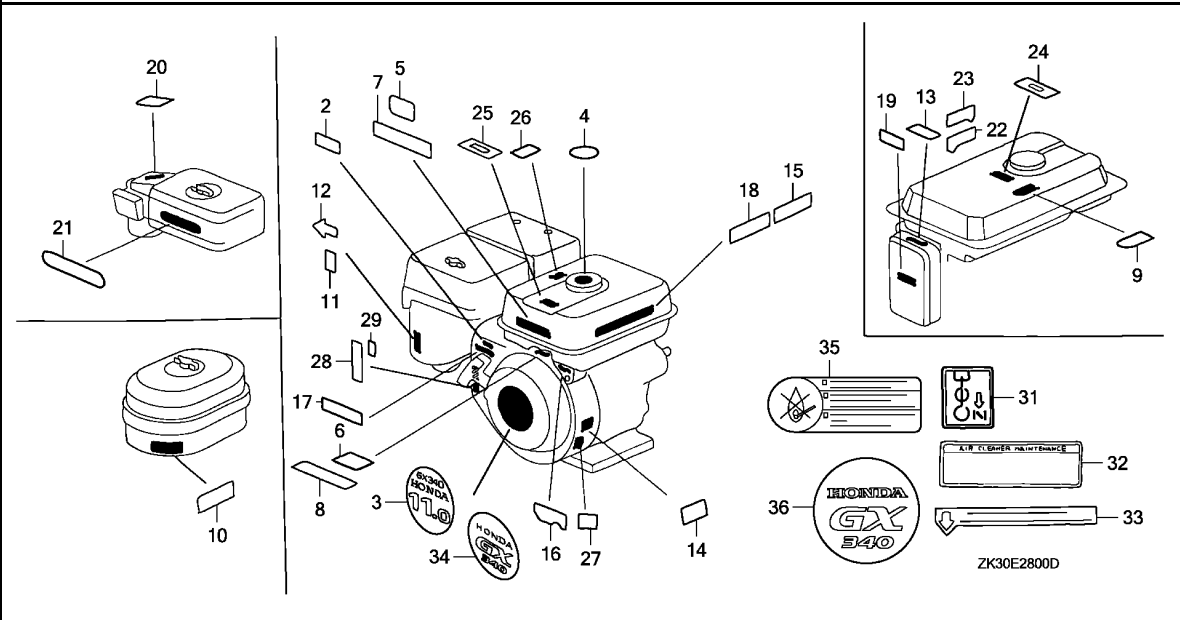




ZK30-E2601

| Ref. No. | L.O.N. | (Relative ref. Number) Description | F.R.T. |
|----------|--------|--|--------|
| 1 | (2) | | |
| 2141L1 | | COVER, REDUCTION GEAR CASE ... | 0.2 |
| 3 | 2141L2 | GEAR, PRIMARY DRIVE | 0.2 |
| 4 | 2091A2 | COUNTERSHAFT | 0.3 |
| 5 | 2141H4 | SHAFT, POWER TAKE OFF | 0.3 |
| 8 | 2141L0 | BEARING, POWER TAKE OFF SHAFT :REAR | 0.3 |
| 9 | 2141L5 | OIL SEAL, POWER TAKE OFF SHAFT :REAR | 0.3 |
| 13 | 2101U4 | BEARING, COUNTERSHAFT :REAR .. | 0.3 |

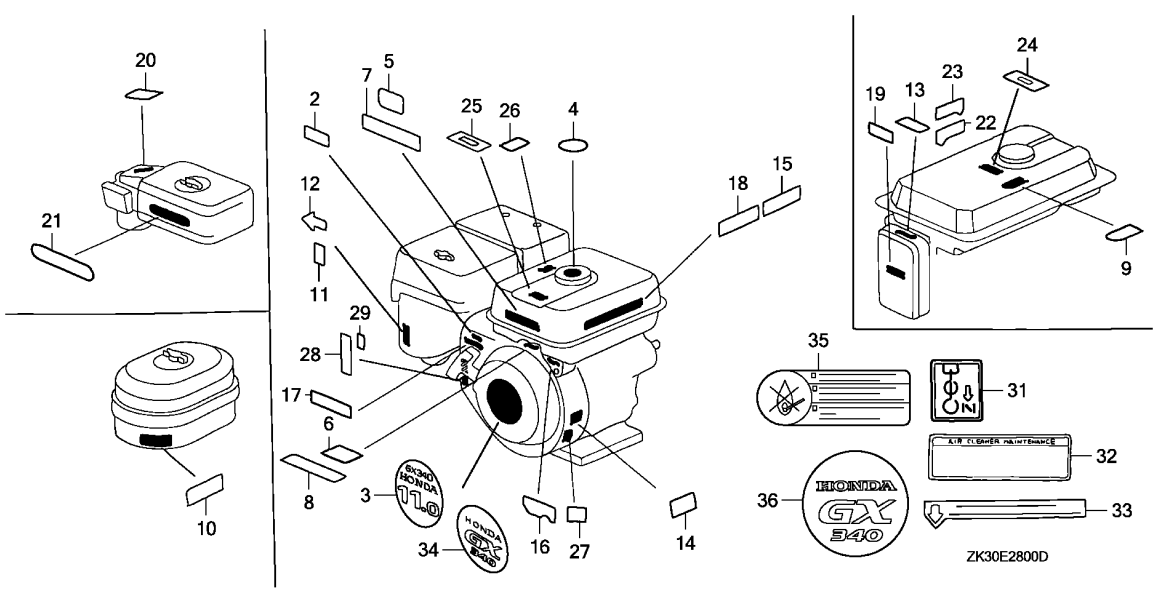
| Ref. No. | Part No. | Description | Reqd. QTY | | | Serial No. | Parts catalogue code |
|----------|----------------|----------------------------------|-----------|-----|-----|--|----------------------|
| | | | (1) | (2) | (3) | | |
| 1 | 11500-ZE3-640 | COVER ASSY., GEAR CASE | 1 | - | - | HA,HAQ,HA2,HA2/A,HH,HX,HX2,HX26,HX26/A | |
| 2 | 11521-ZE2-800 | PACKING, CHAIN CASE COVER ... | 1 | - | - | HA,HAQ,HA2,HA2/A,HH,HX,HX2,HX26,HX26/A | |
| 3 | 22103-ZE3-640 | GEAR, PRIMARY DRIVE (12T) ... | 1 | - | - | HA,HAQ,HA2,HA2/A,HH,HX,HX2,HX26,HX26/A | |
| 4 | 23220-ZE3-640 | COUNTERSHAFT COMP. | 1 | - | - | HA,HAQ,HA2,HA2/A,HH,HX,HX2,HX26,HX26/A | |
| 5 | 23710-ZE3-640 | SHAFT, P.T.O. (34T) | 1 | - | - | HA,HAQ,HA2,HA2/A,HH,HX,HX2,HX26,HX26/A | |
| 6 | 90473-842-000 | WASHER, 8MM | 1 | - | - | HA,HAQ,HA2,HA2/A,HH,HX,HX2,HX26,HX26/A | |
| 7 | 90745-ZK2-800 | KEY, 6.3X6.3X33 | 1 | - | - | HA,HAQ,HA2,HA2/A,HH,HX,HX2,HX26,HX26/A | |
| 8 | 91006-MT3-003 | BEARING, RADIAL BALL, 6206 (NTN) | 1 | - | - | HA,HAQ,HA2,HA2/A,HH,HX,HX2,HX26,HX26/A | |
| 9 | 91201-890-003 | OIL SEAL, 30X46X8 | 1 | - | - | HA,HAQ,HA2,HA2/A,HH,HX,HX2,HX26,HX26/A | |
| 10 | 94301-08140 | DOWEL PIN, 8X14 | 2 | - | - | HA,HAQ,HA2,HA2/A,HH,HX,HX2,HX26,HX26/A | |
| 11 | 95701-08025-00 | BOLT, FLANGE, 8X25 | 1 | - | - | HA,HAQ,HA2,HA2/A,HX2,HX26,HX26/A | |
| | 95900-08025-00 | | 1 | - | - | HH,HX | |
| 12 | 95701-08040-00 | BOLT, FLANGE, 8X40 | 6 | - | - | HA,HAQ,HA2,HA2/A,HH,HX,HX2,HX26,HX26/A | |
| 13 | 96100-63020-00 | BEARING, RADIAL BALL, 6302 .. | 1 | - | - | HA,HAQ,HA2,HA2/A,HH,HX,HX2,HX26,HX26/A | |



| Ref. No. | L.O.N. | (Relative ref. Number) | Description | F.R.T. |
|----------------------|--------|------------------------|-------------|--------|
| NO INFORMATION | | | | |

| Ref. No. | Part No. | Description | Reqd. QTY | | | Serial No. | Parts catalogue code |
|----------|---------------|---|-----------|-------|-----|---------------|--|
| | | | GX | 340K1 | (3) | | |
| 2 | 87124-ZV3-010 | MARK, EMERGENCY SWITCH INDICATION | - | - | 1 | | |
| 3 | 87521-ZE3-W10 | EMBLEM (GX340 HONDA 11.0HP) (ELECTRONIC IGNITION) | 1 | (1) | - | ----- 2143835 | ED6,ED7,EN,ES,ES1,ES3,ET,ETS,ETX,HH,HX,LH,LHC,LHE,LKE,LXE,LXZ,L1 PX,P1,QE,QH,QHC,QHE,QP,QT,QX,QXB,QXE,QXEB,Q1,SE,SH,SHE,SHEZ,SWX SX,SXB,SXE,SXEB,S1,VAA,VAE,VE,VH,VHE,VNG,VNG1,VNG2,VX,VXB,VXEB V1 |
| | 87521-ZE3-W01 | EMBLEM (GX340 HONDA 11.0) (ELECTRONIC IGNITION) | 1 | (1) | - | 2143836 | 3449599 ED6,ES1,ES3,LH,LHE,LXE,L1,PX,QE,QH,QHE,QP,QT,QX,QXB,QXE,SE,SH,SWX SX,SXB,SXE,SXEB,VX,VXB,VXEB |
| | | | 1 | - | - | ----- 3449599 | EDN5,EDS6,EDT6,ED8,ED9,EN6,ES4,HX26,LHB3,LHQ4,LT,LXE4,LXE8,LXQ4 LXU,LX26,PKT4,PKX4,PXE8,QAE6,QA26,QHB3,QHP1,QHQ4,QKA4,QME0,QME8 QMH,QNR6,QXC4,QXC6,QXE4,QXE6,QXE8,QXQ4,QXU,SHB3,SHQ4,SME0,SXE4 SXE8,SXQ4,SXU,VMT,VXE8,VXQ4,VXU,VXU1,VX16,VX8 |



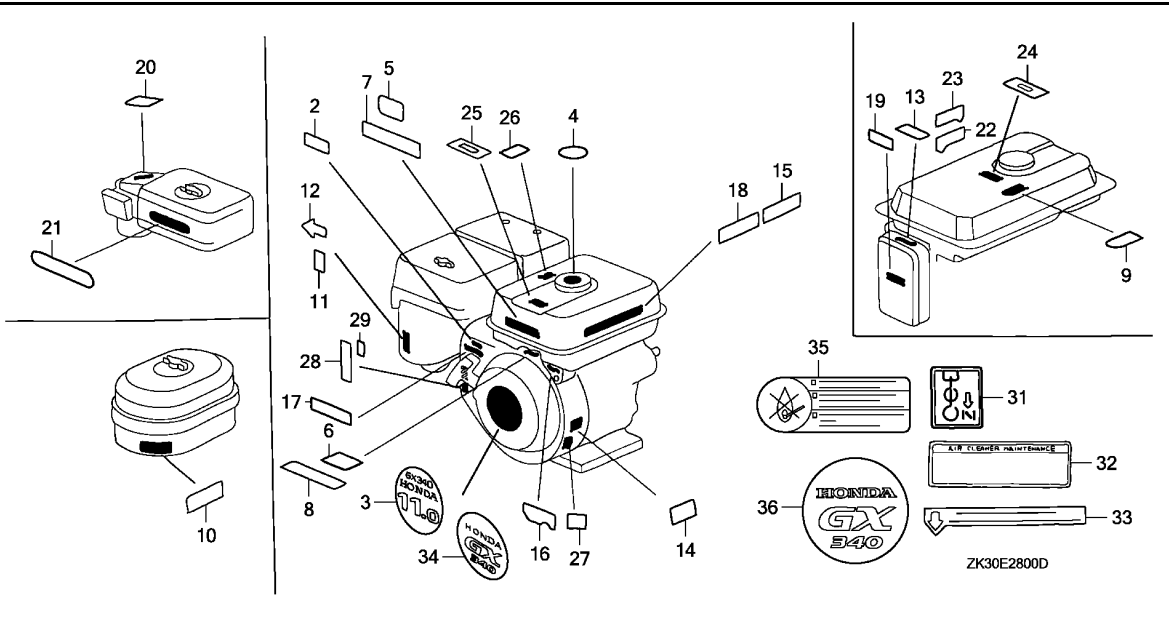


| Ref. No. | Part No. | Description | Reqd. QTY | | | Serial No. | Parts catalogue code |
|----------|---------------|-------------------------------|-----------|-----|-----|---------------|---|
| | | | GX 340K1 | (1) | (2) | | |
| (3) | 87521-ZE3-W02 | EMBLEM (GX340 HONDA 11.0) ... | 1 | (1) | - | 2143836 ----- | ED7,EN,ES,ET,ETS,ETX,HH,HX,LHC,LXZ,P1,QHC,QXEB,Q1,SHE,SHEZ,S1,VAA VAAE,VE,VH,VHE,VNG,VNG1,VNG2,V1 |
| | | | 1 | (1) | - | 3449600 ----- | EDN5,EDS6,EDT6,ED6,ED8,ED9,EN6,ES1,ES3,ES4,HX26,LH,LHB3,LHE,LHQ4 LT,LXE,LXE4,LXE8,LXQ4,LXU,LX26,L1,PKT4,PKX4,PX,PXE8,QAE6,QA26,QE QH,QHB3,QHE,QHP1,QHQ4,QKA4,QME0,QME8,QMH,QNR6,QP,QT,QX,QXB,QXC4 QXC6,QXE,QXE4,QXE6,QXE8,QXQ4,QXU,SE,SH,SHB3,SHQ4,SMEO,SWX,SX,SXB SXE,SXEB,SXE4,SXE8,SXQ4,SXU,VMT,VX,VXB,VXEB,VXE8,VXQ4,VXU,VXU1 VX16,VX8 |
| | | | 1 | (1) | - | 3663825 ----- | EDN5/A,EDS6/A,EDT6/A,ED6/A,ED8/A,ED9/A,EMT/A,EN6/A,ES1/A,ES3/A ES4/A,HX26/A,LH/A,LHB3/A,LHB5,LHE/A,LHQ4/A,LT/A,LXE/A,LXE4/A LXE8/A,LXQ4/A,LXU/A,LX26/A,L1/A,PKT4/A,PKX4/A,PX/A,PXE8/A,P1/A QAE6/A,QA26/A,QE/A,QH/A,QHB3/A,QHB5,QHE/A,QHP1/A,QHQ4/A,QKA4/A QME0/A,QME8/A,QMH/A,QNR6/A,QP/A,QT/A,QX/A,QXB/A,QXB7/A,QXC4/A QXC6/A,QXE/A,QXE4/A,QXE6/A,QXE8/A,QXQ4/A,QXU/A,Q1/A,SE/A,SH/A SHB3/A,SHQ4/A,SMEO/A,SWX/A,SX/A,SXB/A,SXB7/A,SXE/A,SXEB/A,SXE4/A SXE8/A,SXQ4/A,SXU/A,S1/A,VMT/A,VX/A,VXB/A,VXB7/A,VXEB/A,VXE7/A VXE8/A,VXQ4/A,VXU/A,VXU1/A,VX16/A,VX8/A |
| | | | 1 | - | - | ----- | EDN,EDS,EDS3,EMT,LHB1,LHW,LXE6,QNE6,QXB7,SHB1,SHT,SXB7,VD16,VEB6 VMX,VTE2,VXB2,VXB7,VXE4,VXE6,VXE7,VXG |
| | | | - | - | 1 | | |



| Ref. No. | Part No. | Description | Reqd. QTY | | | Serial No. | Parts catalogue code |
|----------|---------------|--------------------------------|-----------|-----|-----|-----------------|--|
| | | | (1) | (2) | (3) | | |
| (3) | 87521-ZE3-W03 | EMBLEM (GX340 HONDA 11.0) ... | 1 | (1) | - | 3663826 4072394 | EDN5/A,ED8/A,ED9/A,EMT/A,ES1/A,ES3/A,ES4/A,LH/A,LHB3/A,LHB5,LHE/A,LT/A,LXE/A,L1/A,PX/A,P1/A,QH/A,QHB3/A,QHB5,QHP1/A,QMH/A,QP/A,QT/A,QX/A,QXE/A,Q1/A,SH/A,SA/A,SXE/A,S1/A,VMT/A,VX/A,VXE/A,VXU/A,VXU1/A |
| | | | 1 | - | - | ----- | VSH7 |
| | | | 1 | - | - | 3663826 | EDS6/A,EDT6/A,ED6/A,EN6/A,HX26/A,LHQ4/A,LXE4/A,LXE8/A,LXQ4/A,LXU/A,LX26/A,PKT4/A,PKX4/A,PXE8/A,QAE6/A,QA26/A,QE/A,QHE/A,QHQ4/A,QKA4/A,QMEO/A,QME8/A,QNR6/A,QXB/A,QXB7/A,QXC4/A,QXC6/A,QXE4/A,QXE6/A,QXE8/A,QXQ4/A,QXU/A,SE/A,SHB3/A,SHQ4/A,SMEO/A,SWX/A,SWB/A,SWB7/A,SXEB/A,SXE4/A,SXE8/A,SXQ4/A,SXU/A,VXB/A,VXB7/A,VXE7/A,VXE8/A,VXQ4/A,VX16/A,VX8/A |
| 4 | 87522-ZE1-010 | LABEL, FUEL WARNING | 1 | - | - | 4072394 | EDK,EDS4,VMQ,VXK |
| | | | 1 | - | - | ----- | EN,ET |
| | | | 1 | - | - | 2205608 | ETS,ETX |
| | 87522-ZE1-810 | MARK, CAUTION | 1 | (1) | - | 2302949 | ED7,ED8,ED9,EN,ES,ES1,ET,HH,HX,LH,LHC,LHE,LKE,LP,LXE,LXZ,L1,PX,P1,QE,QH,QHC,QHE,QP,QX,QXB,QXE,QXEB,Q1,SE,SH,SHE,SHEZ,SWX,SP,SXB,SXE,SXEB,S1,VE,VH,VHE,VNG,VX,VXB,VXEB,VXU,VXU1,V1 |
| | | | 1 | - | - | ----- | LHB1,LHB3,LHB3/A,LHB5,LT,LT/A,QHB3,QHB3/A,QHB5,QT,QT/A,SHB1,SHB3,SHB3/A,VXG |
| | | | 1 | - | - | 2205609 | ETS,ETX |
| 5 | 87522-ZH8-W40 | MARK, CAUTION (PICTOGRAPH) .. | 1 | - | - | ----- | LHQ4,LXE4,LXQ4,PKT4,PKX4,QHQ4,QKA4,QMEO,QXB7,QXC4,QXE4,QXQ4,SHQ4,SMEO,SXB7,SXE4,SXQ4,VD16,VEB6,VXB7,VXE4,VXE7,VXQ4 |
| | | | 1 | - | - | 2337465 | QE,QXB,SE,SXB,SXEB,VXB,VXEB,VXG |
| | | | 1 | - | - | 2398545 | LKE |
| | | | 1 | - | - | 3727690 | LHQ4/A,LKE/A,LXE4/A,LXQ4/A,PKT4/A,PKX4/A,QE/A,QHQ4/A,QKA4/A,QMEO/A,QXB/A,QXB7/A,QXC4/A,QXE4/A,QXQ4/A,SE/A,SHQ4/A,SMEO/A,SXB/A,SXB7/A,SXEB/A,SXE4/A,SXQ4/A,VXB/A,VXB7/A,VXEB/A,VXE7/A,VXQ4/A |
| | 87522-ZH8-W41 | | 1 | - | - | 3727691 | LHQ4/A,LKE/A,LXE4/A,LXQ4/A,PKT4/A,PKX4/A,QE/A,QHQ4/A,QKA4/A,QMEO/A,QXB/A,QXB7/A,QXC4/A,QXE4/A,QXQ4/A,SE/A,SHQ4/A,SMEO/A,SXB/A,SXB7/A,SXEB/A,SXE4/A,SXQ4/A,VXB/A,VXB7/A,VXEB/A,VXE7/A,VXQ4/A |
| 6 | 87522-ZH8-W40 | MARK, CAUTION (PICTOGRAPH) .. | 1 | - | - | 3727690 | VSH7 |
| | | | - | - | 1 | 1000021 | VXQP |
| | 87522-ZH8-W41 | | 1 | - | - | 3727691 | VSH7 |
| | 87516-Z0D-800 | MARK, OPERATOR CAUTION | 1 | - | - | ----- | EDT3,ES2,VS2,VS7 |
| 7 | 87522-ZH9-000 | LABEL, CAUTION (ENGLISH, ETC.) | 1 | (1) | - | ----- | ED7,ES,HH,HX,LHB1,LHC,LHW,LP,LXE6,LXZ,P1,P1/A,QHC,QNE6,QXEB,Q1,Q1/A,SHB1,SHE,SHEZ,S1,S1/A,VE,VH,VHE,VMX,VXB2,VXE6,V1 |
| | | | 1 | - | - | 2337464 | QE,QXB,SE,SXB,SXEB,VXB,VXEB,VXG |
| | | | 1 | - | - | 2398544 | LKE |
| | 87522-ZH9-820 | LABEL, CAUTION (THAI) | 1 | - | - | ----- | LT,QT |
| | | | 1 | - | - | 3732694 | LT/A,QT/A |
| | 87522-ZH9-010 | LABEL, CAUTION (ENGLISH, ETC.) | 1 | (1) | - | ----- | ED8,ED8/A,ED9,ED9/A,ES1,ES1/A,HA2,HA2/A,HX26,HX26/A,LH,LH/A,LHB3,LHB3/A,LHB5,LHE,LHE/A,LXE,LXE/A,LXE2,LXE2/A,LXE8,LXE8/A,LXU,LXU/A,LX26,LX26/A,L1,L1/A,PX,PX/A,PXA2,PXE8,PXE8/A,QAB2,QAB2/A,QAC2,QAC2/A,QAE2,QAE2/A,QAE6,QAE6/A,QAG,QAG/A,QA2,QA2/A,QAP2,QAP2/A,QA2,QA2/A,QA26,QA26/A,QDW9,QDW9/A,QH,QH/A,QHB3,QHB3/A,QHB5,QHE,QHE/A,QHP1,QHP1/A,QME8,QME8/A,QMH,QMH/A,QMT2,QMT2/A,QNE2,QNE2/A,QNE9,QNE9/A,QNR2,QNR2/A,QNR6,QNR6/A,QP,QP/A,QT2,QT2/A,QWH2,QWH2/A,QX,QX/A,QXC6,QXC6/A,QXC9,QXC9/A,QXE,QXE/A,QXE6,QXE6/A,QXE8,QXE8/A,QXU,QXU/A,SH,SH/A,SHB3,SHB3/A,SMX2,SMX2/A,STP,STP/A,STQ,STQ/A,SWX,SWX/A,SX,SX/A,SXE,SXE/A,SXE8,SXE8/A,SXU,SXU/A,VAD2,VAD2/A,VA2,VA2/A,VDE2,VDE2/A,VWC2,VWC2/A,VWS2,VWS2/A,VX,VX/A,VXE2,VXE2/A,VXE8,VXE8/A,VXU,VXU/A,VXU1,VXU1/A,VX16,VX16/A,VX8,VX8/A |
| | | | 1 | - | - | 3732695 | LT/A,QT/A |
| | 87516-ZM7-801 | MARK, OPERATOR CAUTION | 1 | - | - | ----- | EDK,EDS4,VS4,VS6,VXK |
| 8 | 87522-ZH9-000 | LABEL, CAUTION (ENGLISH, ETC.) | - | - | 1 | 1000020 | VXQP |



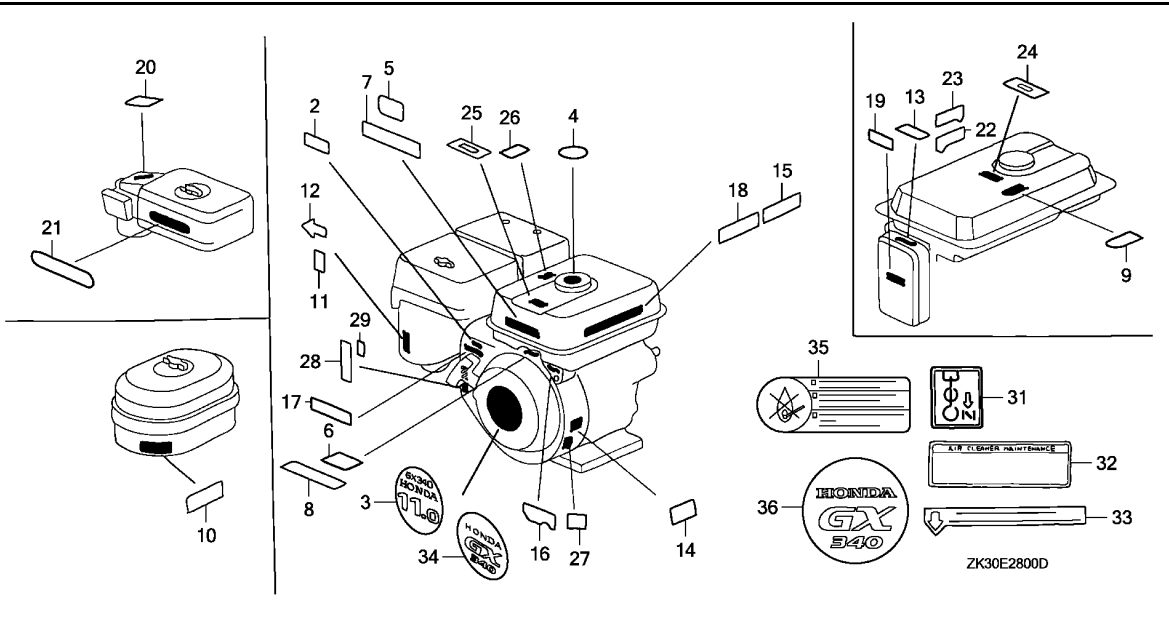


| Ref. No. | Part No. | Description | Reqd. QTY | | | Serial No. | Parts catalogue code |
|----------|---------------|--|-----------|-----|-----|------------|--|
| | | | GX 340K1 | (1) | (2) | | |
| 9 | 87522-883-660 | MARK, CAUTION (ENGLISH/FRENCH/SPANISH) | 1 | - | - | ----- | EDS3,EDS5,EDS6,EDS6/A,EDT6,EDT6/A,ED6,ED6/A,EN6,EN6/A,VTE2 |
| 10 | 87524-883-690 | MARK, AIR CLEANER CAUTION (OIL BATH)(ARABIC) | 1 | - | - | 2186194 | ----- EDS |
| 11 | 87528-ZE2-810 | MARK, CHOKE (ORANGE) | 1 | - | - | ----- | LT,LT/A,QP,QP/A,QT,QT/A,SWX,SWX/A |
| | | | | | | ----- | EDK,EDN5,EDN5/A,ED7,ED8,ED8/A,ED9,ED9/A,EN,ES,ES1,ES1/A,ES2,ET,ETS,ETX,HH,HX,HX26,HX26/A,LH,LH/A,LHB1,LHB3,LHB3/A,LHB5,LHC,LHE,LHE/A,LHW,LXE,LXE/A,LXE6,LXE8,LXE8/A,LXU,LXU/A,LXZ,LX26,LX26/A,PX,PX/A,PXA2,PXE8,PXE8/A,QAE6,QAE6/A,QA26,QA26/A,QH,QH/A,QHB3,QHB3/A,QHB5,QHC,QHE,QHE/A,QHP1,QHP1/A,QME8,QME8/A,QMH,QMH/A,QNE6,QNR6,QNR6/A,QP,QP/A,QX,QX/A,QXC6,QXC6/A,QXE,QXE/A,QXEB,QXE6,QXE6/A,QXE8,QXE8/A,QXU,QXU/A,SH,SH/A,SHB1,SHB3,SHB3/A,SHE,SHEZ,SHT,SWX,SWX/A,SX,SX/A,SXE,SXE/A,SXE8,SXE8/A,SXU,SXU/A,VAA,VAAE,VE,VH,VHE,VMX,VNG,VX,VX/A,VXB2,VXE6,VXE8,VXE8/A,VXK,VXU,VXU/A,VXU1,VXU1/A,VX16,VX16/A,VX8,VX8/A |
| | | | 1 | - | - | 2602235 | ----- VD16,VEB6 |
| | | | 1 | - | - | 2337464 | ----- QE,QXB,SE,SXB,SXEB,VNG1,VNG2,VXB,VXEB,VXG |
| | | | 1 | - | - | 2398544 | ----- LKE |
| | | | - | (1) | - | ----- | |
| | 87528-ZE1-690 | MARK, CHOKE (THAI) | 1 | - | - | ----- | LT,LT/A,QP,QP/A,QT,QT/A |
| | 87528-ZF6-W40 | MARK, CHOKE (BLACK) | 1 | - | - | ----- | LHQ4,LHQ4/A,LKE/A,LXE4,LXE4/A,LXQ4,LXQ4/A,PKT4,PKT4/A,PKX4,PKX4/A,QE/A,QHQ4,QHQ4/A,QKA4,QKA4/A,QMED,QMED/A,QXB/A,QXB7/A,QXC4,QXC4/A,QXE4,QXE4/A,QXQ4,QXQ4/A,SE/A,SHQ4,SHQ4/A,SMED,SMED/A,SXB/A,SXB7,SXB7/A,SXEB/A,SXE4,SXE4/A,SXQ4,SXQ4/A,VSH7,VXB/A,VXB7,VXB7/A,VXE7/A,VXE7,A,VXQ4,VXQ4/A |
| | | | 1 | - | - | 2337465 | ----- QE,QXB,SE,SXB,SXEB,VNG1,VNG2,VXB,VXEB,VXG |
| | | | 1 | - | - | 2398545 | ----- LKE |
| | | | 1 | - | - | 2602234 | ----- VD16,VEB6 |

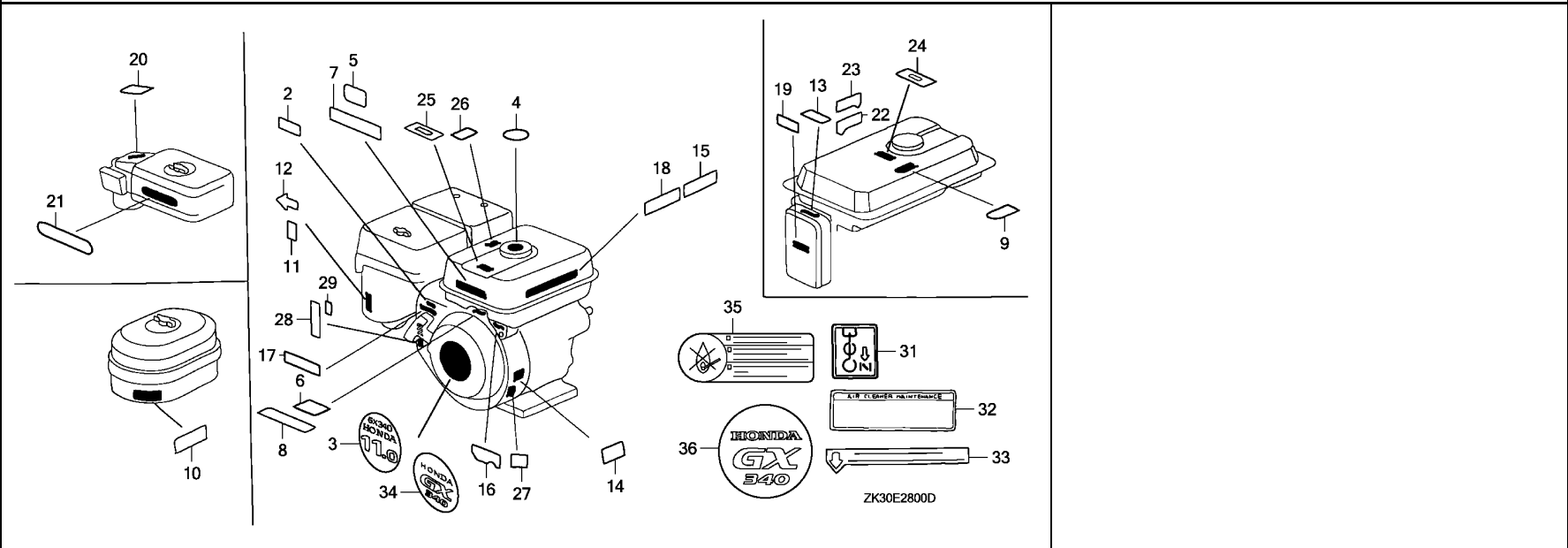


| Ref. No. | Part No. | Description | Reqd. QTY | | | Serial No. | Parts catalogue code | |
|----------|---------------|------------------------------------|-----------|-----|-----|------------|--|---|
| | | | (1) | (2) | (3) | | | |
| 12 | 87528-883-661 | MARK, CHOKE | - | - | 1 | | | |
| 13 | 87528-898-620 | MARK, CHOKE | 1 | - | - | ----- | EDN,EDS,EDS3,EDS4,EDS6,EDS6/A,EDT6,EDT6/A,ED6,ED6/A,EMT,EMT/A,EN6 EN6/A,ES3,ES3/A,ES4,ES4/A,VMQ,VMT,VMT/A,VS4,VS6,VTE2 | |
| 14 | 87530-ZE3-W10 | LABEL, SPECIFICATION (EXTERNAL) | 1 | (1) | - | ----- | 2205609 EDN,EDS,ED6,ED7,ED8,ED9,ES,ES1,ETS,ETX,HH,HX,LH,LHC,LHE,LKE,LXE LXZ,L1,PX,P1,QE,QH,QHC,QHE,QP,QT,QX,QXB,QXE,QXEB,Q1,SE,SH,SHE SHEZ,SWX,SX,SXB,SXE,SXEB,S1,VAA,VAE,VE,VH,VHE,VNG1,VNG2,VX VXB,VXEB,V1 | |
| 15 | 87532-ZB4-G60 | MARK, OIL ALERT (GERMAN) | 1 | (1) | - | ----- | EN,ES3,ES3/A,ES4,ES4/A,ET ED9/A,ES1/A,LXE/A,LXE6,LXE8,LXE8/A,LXU,LXU/A,L1/A,PX/A,P1/A,QNR6 QNR6/A,QX/A,QXB/A,QXC6,QXC6/A,QXE/A,QXE8,QXE8/A,QXU,QXU/A,Q1/A SHT,SWX/A,SX/A,SXB/A,SXE/A,SXEB/A,SXE8,SXE8/A,SXU,SXU/A,S1/A,VX/A VXB/A,VXB2,VXEB/A,VXE8,VXE8/A,VXG,VXU,VXU/A,VXU1,VXU1/A,VX16 VX16/A,VX8,VX8/A | |
| | | | 1 | (1) | - | 2215598 | ----- | ED9,ES1,HX,LXE,LXZ,L1,PX,P1,QX,QXB,QXE,QXEB,Q1,SWX,SX,SXB,SXE SXEB,S1,VAA,VAE,VNG,VNG1,VNG2,VX,VXB,VXEB,V1 |
| | 87532-ZB4-H50 | MARK, OIL ALERT (FRENCH) | 1 | (1) | - | 2215598 | 2398544 | LKE ED9/A,ES1/A,HX26/A,LKE/A,LXE/A,LXE6,LXE8,LXE8/A,LXU,LXU/A,LX26 LX26/A,L1/A,PX/A,P1/A,QAE6,QAE6/A,QA26,QA26/A,QNR6,QNR6/A,QX/A QXC6,QXC6/A,QXE/A,QXE6,QXE6/A,QXE8,QXE8/A,QXU,QXU/A,Q1/A,SHT SWX/A,SX/A,SXE/A,SXE8,SXE8/A,SXU,SXU/A,S1/A,VX/A,VXB2,VXE8,VXE8/A VXU,VXU/A,VXU1,VXU1/A,VX16,VX16/A,VX8,VX8/A |
| | | | 1 | (1) | - | 2215598 | ----- | ED9,ES1,HX,LKE,LXE,LXZ,L1,PX,P1,QX,QXE,QXEB,Q1,SWX,SX,SXE,S1,VAA VAE,VNG,VX,V1 |
| | | | 1 | - | - | 2602235 | ----- | HX26,VD16,VEB6 |
| | | | 1 | - | - | 2338523 | ----- | VXG |
| | | | 1 | - | - | 2215598 | 2338523 | QXB,SXB,SXEB,VNG1,VNG2,VXB,VXEB |
| 16 | 87532-ZE1-810 | MARK, OIL ALERT (EXTERNAL) .. | 1 | (1) | - | ----- | 2143683 | ES1,HX,LXZ,L1,PX,P1,QX,QXB,Q1,SWX,SX,SXB,S1,VAA,VNG,VNG1,VX,VXB V1 |
| 17 | 87532-ZH8-W40 | MARK, THROTTLE INDICATION ... | 1 | - | - | ----- | LHQ4,LHQ4/A,LKE/A,LXE4,LXE4/A,LXQ4,LXQ4/A,PKT4,PKT4/A,PKX4,PKX4/A QE/A,QHQ4,QHQ4/A,QKA4,QKA4/A,QMED,QMED/A,QXB/A,QXB7,QXB7/A,QXC4 QXC4/A,QXE4,QXE4/A,QXQ4,QXQ4/A,SE/A,SHQ4,SHQ4/A,SMED,SMED/A,SXB/A SXB7,SXB7/A,SXEB/A,SXE4,SXE4/A,SXQ4,SXQ4/A,VD16,VEB6,VSHT,VXB/A VXB7,VXB7/A,VXEB/A,VXE4,VXE7,VXE7/A,VXQ4,VXQ4/A | |
| | | | 1 | - | - | 2337465 | ----- | QE,QXB,SE,SXB,SXEB,VNG1,VNG2,VXB,VXEB |
| | | | 1 | - | - | 2398545 | ----- | LKE |
| 18 | 87532-ZH8-810 | MARK, OIL ALERT (EXTERNAL) .. | 1 | 1 | 1 | ----- | EDN5,EDN5/A,ED9,ED9/A,ES1/A,ES2,HX26,HX26/A,LKE/A,LXE/A,LXE6,LXE8 LXE8/A,LXU,LXU/A,LX26,LX26/A,L1/A,PX/A,PXE8,PXE8/A,P1/A,QAE6 QAE6/A,QA26,QA26/A,QME8,QME8/A,QNE6,QNR6,QNR6/A,QX/A,QXC6,QXC6/A QXE/A,QXE6,QXE6/A,QXE8,QXE8/A,QXU,QXU/A,Q1/A,SHT,SWX/A,SX/A,SXE/A SXE8,SXE8/A,SXU,SXU/A,S1/A,VD16,VEB6,VMX,VX/A,VXB2,VXE6,VXE8 VXE8/A,VXP,VXU,VXU/A,VXU1,VXU1/A,VX16,VX16/A,VX8,VX8/A | |
| | | | 1 | 1 | - | 2143684 | ----- | ES1,HX,LKE,LXE,LXZ,L1,PX,P1,QX,QXE,QXEB,Q1,SWX,SX,SXE,S1,VAA,VAE VNG,VX,V1 |
| | | | 1 | - | - | 2338523 | ----- | VXG |
| | | | 1 | - | - | 2143684 | 2338523 | QXB,SXB,SXEB,VNG1,VNG2,VXB,VXEB |
| 19 | 87533-ZC0-630 | MARK, AIR CLEANER | 1 | - | - | ----- | EDN,EDS,EDS3,EDS6,EDS6/A,EDT6,EDT6/A,ED6,ED6/A,EMT,EMT/A,EN6 EN6/A,ES3,ES3/A,ES4,ES4/A,VMQ,VMT,VMT/A,VTE2 | |
| | 87533-ZB6-750 | | 1 | - | - | ----- | EDS5 | |
| 20 | 87534-ZE1-841 | LABEL, AIR CLEANER CAUTION .. | - | (1) | - | ----- | LHC,QHC,QXC6,QXC6/A,SHT | |
| 21 | 87535-ZE1-840 | MARK, AIR CLEANER SALES POINT | 1 | (1) | - | ----- | LHC,L1,P1,QHC,QXC4,QXC6,Q1,SHT,S1,V1 | |
| | 87535-ZE1-841 | | 1 | (1) | - | 3670223 | ----- | L1/A,P1/A,QXC4/A,QXC6/A,Q1/A,S1/A |
| 22 | 87539-ZB2-630 | MARK, EX. CAUTION | 1 | - | - | ----- | L1/A,P1/A,QXC4/A,QXC6/A,Q1/A,S1/A EDS5 | |



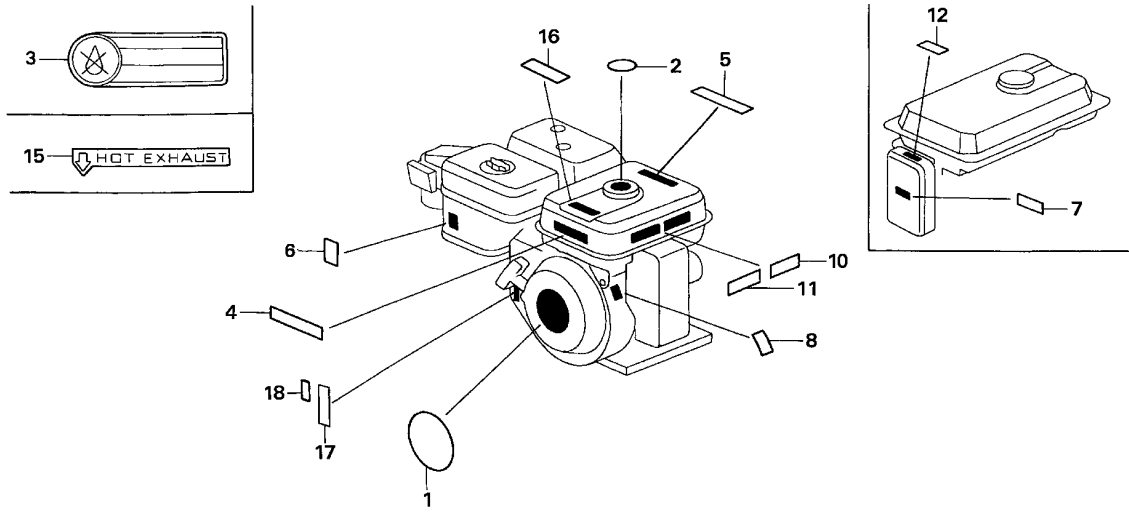


| Ref. No. | Part No. | Description | Reqd. QTY | | | Serial No. | Parts catalogue code | |
|----------|---------------|---|-----------|-------|-----|------------|---|---|
| | | | GX | 340K1 | (3) | | | |
| 23 | 87539-898-620 | MARK, EX. CAUTION (ENGLISH/FRENCH) | 1 | - | - | ----- | EDS,EDS3,EDS6,EDS6/A,EDT6,EDT6/A,ED6,ED6/A,EMT,EMT/A,EN6,EN6/A | |
| 24 | 87565-ZB4-A00 | PLATE, FUEL INDICATION | 1 | - | - | ----- | ES3,ES3/A,ES4,ES4/A,VMQ,VMT,VMT/A,VTE2 | |
| 25 | 87565-ZE2-810 | MARK, FUEL INDICATION (ENGLISH) | 1 | - | - | 2160982 | ----- | ED6 |
| | 87565-ZE2-A01 | MARK, FUEL INDICATION (PICTOGRAPH) | 1 | (1) | - | 2337464 | ----- | VXG |
| 26 | 87586-ZH7-W00 | LABEL, FUEL CAUTION | 2 | - | - | ----- | ED6/A | |
| | 87532-ZH8-810 | MARK, OIL ALERT (EXTERNAL) .. | 2 | - | - | 2374606 | ----- | ED6 |
| 27 | 87594-ZB4-A00 | MARK, OIL CAUTION | 1 | - | - | ----- | PXA2 | |
| 28 | 87135-ZE2-010 | LABEL, E-SPEC (EPA STANDARD) (15.5X60.0) | 1 | 1 | - | 3334264 | ----- | EDN,EDN5,EDN5/A,EDS,EDS3,EDS4,EDS5,EDS6,EDS6/A,EDT3,EDT6,EDT6/A |
| | | | 1 | - | - | ----- | ED6,ED6/A,EN6,EN6/A,ES,ES1,ES1/A,ES2,VTE2 | |
| | | | 1 | - | - | ----- | EDN5,EDS6,EDT6,ED8,ED9,ES1,ES3,ES4,LH,LHB3,LHE,LHQ4,LKE,LT,LXE | |
| | | | 1 | - | - | ----- | LXE4,LXE8,LXQ4,LXU,L1,PKT4,PKX4,PX,PXE8,QE,QH,QHB3,QHE,QHP1,QHQ4 | |
| | | | 1 | - | - | ----- | QKA4,QME0,QME8,QMH,QP,QX,QXB,QXC4,QXE,QXE4,QXE8,QXQ4,QXU,Q1,SE,SH | |
| | | | 1 | - | - | ----- | SHB1,SHB3,SHQ4,SMEO,SWX,SX,SXB,SXE,SXEB,SXE4,SXE8,SXQ4,SXU,VMT,VX | |
| | | | 1 | - | - | ----- | VXB,VXEB,VXE8,VXQ4,VXU,VXU1,VX8 | |
| | | | 1 | - | - | ----- | EMT,QXB7,SXB7,VXB7,VXE7 | |



| Ref. No. | Part No. | Description | Reqd. QTY | | | Serial No. | Parts catalogue code |
|----------|---------------|--|--------------------|-----|-----|------------|--|
| | | | GX 340K1 (1) | (2) | (3) | | |
| 28) | 87135-ZE2-020 | LABEL, E-SPEC (15.5X27.5) ... | 1 | 1 | - | 3989217 | EDN5/A,ED8/A,ED9/A,EMT/A,ES1/A,ES3/A,ES4/A,LH/A,LHB3/A,LHB5,LHE/A,LT/A,LXE/A,LXE8/A,LXU/A,L1/A,PX/A,PXE8/A,P1/A,QH/A,QHB3/A,QHB5,QHE/A,QHP1/A,QME8/A,QMH/A,QP/A,QX/A,QXE/A,QXE8/A,QXU/A,Q1/A,SH/A,SHB3/A,SKE/A,SKZ/A,STR/A,SWX/A,SX/A,SXE/A,SXE8/A,SXU/A,S1/A,VMQ,VMT/A,VS3,VS5,VX/A,VXE8/A,VXU/A,VXU1/A,VX8/A |
| | | | 1 | - | - | 3851715 | EDS6/A,EDT6/A,LHQ4/A,LKE/A,LXE4/A,LXQ4/A,PKT4/A,PKX4/A,QE/A,QHQ4/A,QKA4/A,QMEO/A,QXB/A,QXB7/A,QXC4/A,QXE4/A,QXQ4/A,SE/A,SHQ4/A,SME0/A,SXB/A,SXB7/A,SXEB/A,SXE4/A,SXQ4/A,VSH7,VXB/A,VXB7/A,VXEB/A,VXE7/A,VXQ4/A |
| 29 | 87114-ZH7-000 | LABEL, WARNING (NOT CERTIFIED FOR SALE) | 1 | 1 | - | 3912093 | LH/A,LHB3/A,LHB5,LHE/A,LT/A,LXE/A,P1/A,QH/A,QHB3/A,QHB5,QHE/A,QHP1/A,QMH/A,QP/A,QT/A,QX/A,QXE/A,SH/A,SHB3/A,SWX/A,SX/A,SXE/A,VMQ,VMT/A,VX/A |
| | | | 1 | 1 | - | 3982175 | EDN5/A,ED8/A,ED9/A,EMT/A,ES1/A,ES3/A,ES4/A,L1/A,PX/A,Q1/A,S1/A,VXU/A,VXU1/A |
| | | | 1 | - | - | 3970135 | EDK,EDS4,EDT3,ES2,VS2,VS4,VS6,VS7,VXK |
| | | | 1 | - | - | | VS3,VS5 |
| 31 | 87528-898-620 | MARK, CHOKE | 1 | - | - | | EDS4,EDT3,VS2,VS3,VS4,VS5,VS6,VS7 |
| 32 | 87533-ZC0-630 | MARK, AIR CLEANER | 1 | - | - | | EDS4,EDT3,VS2,VS3,VS4,VS5,VS6,VS7 |
| 33 | 87539-898-620 | MARK, EX. CAUTION (ENGLISH/FRENCH) | 1 | - | - | | EDS4,EDT3,VS2,VS3,VS4,VS5,VS6,VS7 |
| 34 | 87521-ZE3-W04 | EMBLEM (GX340) | 1 | (1) | - | 4072395 | EDS4,EDT3,VS2,VS3,VS4,VS5,VS6,VS7 |
| | | | 1 | - | - | | EDK,EDN5/A,EDS4,ED8/A,ED9/A,EMT/A,ES1/A,ES3/A,ES4/A,LH/A,LHB3/A,LHB5,LHE/A,LT/A,LXE/A,L1/A,PX/A,P1/A,QH/A,QHB3/A,QHB5,QHP1/A,QMH/A,QP/A,QT/A,QX/A,QXE/A,Q1/A,SH/A,SX/A,SXE/A,S1/A,VMQ,VMT/A,VS3,VS4,VS5,VS6,VX/A,VXEB/A,VXK,VXU/A,VXU1/A |
| | | | 1 | - | - | | EDT3,ES2 |
| 35 | 87522-883-660 | MARK, CAUTION (ENGLISH/FRENCH/SPANISH) | 1 | - | - | | EDT3 |
| 36 | 87521-ZE3-W04 | EMBLEM (GX340) | 1 | - | - | | VS2,VS7 |





ZK30-E2801A

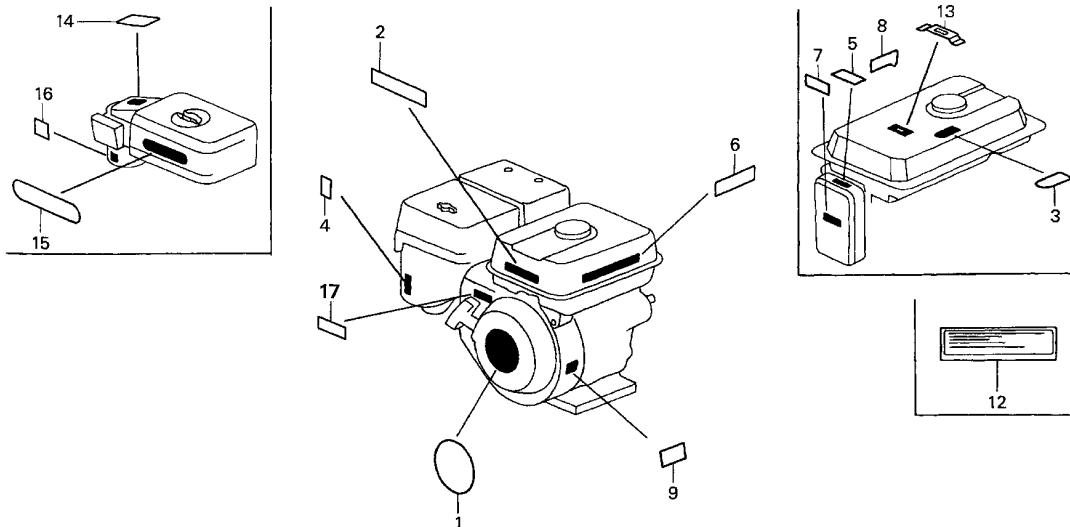
| Ref. No. | L.O.N. | (Relative ref. Number) Description | F.R.T. |
|----------|--------|------------------------------------|--------|
|----------|--------|------------------------------------|--------|

NO INFORMATION

| Ref. No. | Part No. | Description | Reqd. QTY | | | Serial No. | Parts catalogue code |
|----------|---------------|--|-----------|-----|-----|------------|---|
| | | | GX 340K1 | (1) | (2) | | |
| 1 | 87521-ZE3-W02 | EMBLEM (GX340 HONDA 11.0) ... | 1 | - | - | ----- | BJ,EDS1,EDT1,LJ,LJG,LJS,LSX,SJ,SJG,SKE,SKZ,STJ,STP,STQ,STR,YJ |
| | | | 1 | - | - | 3663825 | EDS1/A,EDT1/A,ENT2,LJ/A,LJG/A,LJS/A,SJ/A,SJG/A,SKE/A,SKZ/A,STJ/A |
| | 87521-ZE3-W03 | | 1 | - | - | 3663826 | STP/A,STQ/A,STR/A |
| | | | 1 | - | - | 4072394 | ENT2 |
| | | | 1 | - | - | 3663826 | LJS1 |
| | | | 1 | - | - | 4072394 | EDS1/A,EDT1/A,LJ/A,LJG/A,LJS/A,SJ/A,SJG/A,SKE/A,SKZ/A,STJ/A,STP/A |
| | 87521-ZE3-W04 | EMBLEM (GX340) | 1 | - | - | 4072395 | STQ/A,STR/A |
| | | | 1 | - | - | 4072395 | EDS1/A,EDT1/A,LJ/A,LJG/A,LJS/A,LJS1,SJ/A,SJG/A,SKE/A,SKZ/A,STJ/A |
| | | | 1 | - | - | 4072395 | STP/A,STQ/A,STR/A |
| 2 | 87522-ZE1-010 | LABEL, FUEL WARNING | 1 | - | - | 2205608 | BJ,LJ,SJ,STJ,YJ |
| | 87522-ZE1-810 | MARK, CAUTION | 1 | - | - | 2205609 | BJ,LJ,SJ,STJ,YJ |
| 3 | 87522-883-660 | MARK, CAUTION (ENGLISH/FRENCH/SPANISH) | 1 | - | - | ----- | EDS1,EDS1/A,EDT1,EDT1/A |
| 4 | 87520-ZH8-000 | MARK A, COMBINATION | 1 | - | - | ----- | LJ/A,LJG/A,LJS,LJS/A,LJS1,LSX,LWD,SJ/A,SJG/A,SKE,SKE/A,SKZ,SKZ/A |
| | | | 1 | - | - | 2448575 | STJ/A,STP,STP/A,STQ,STQ/A,STR,STR/A |
| | | | 1 | - | - | 2448575 | BJ,LJ,LJG,SDE,SJ,SJG,STJ,YJ |
| 5 | 87526-ZH8-000 | MARK B, COMBINATION | 1 | - | - | ----- | LJ/A,LJG/A,LJS,LJS/A,LJS1,LSX,LWD,SJ/A,SJG/A,SKE,SKE/A,SKZ,SKZ/A |
| | | | 1 | - | - | 2448575 | STJ/A,STR,STR/A |
| | | | 1 | - | - | 2448575 | BJ,LJ,LJG,SDE,SJ,SJG,STJ,YJ |
| 6 | 87528-ZE2-000 | MARK, CHOKE (INTERNAL) | 1 | - | - | 2209470 | BJ,LJ,SJ,STJ,YJ |
| | 87528-ZE2-810 | MARK, CHOKE (ORANGE) | 1 | - | - | ----- | LJ/A,LJG,LJG/A,LJS,LJS/A,LJS1,LSX,SDE,SJ/A,SJG,SJG/A,SKE,SKE/A |
| | | | 1 | - | - | 2209471 | SKZ,SKZ/A,STJ/A,STP,STP/A,STQ,STQ/A,STR,STR/A |
| | | | 1 | - | - | 2209471 | BJ,LJ,SJ,STJ,YJ |
| 7 | 87528-898-620 | MARK, CHOKE | 1 | - | - | ----- | EDS1,EDS1/A,EDT1,EDT1/A,ENT2 |
| 8 | 87530-ZE3-W00 | LABEL, SPECIFICATION (INTERNAL) | 1 | - | - | ----- | SDE,YJ |
| | | | 1 | - | - | 3611393 | SJ,SJG,SKE,SKZ,STJ,STR |

| Ref. No. | Part No. | Description | Reqd. QTY | | | Serial No. | Parts catalogue code |
|----------|---------------|---|-----------|-----|-----|------------|--|
| | | | (1) | (2) | (3) | | |
| (8) | 87530-ZE3-W40 | LABEL, SPECIFICATION (INTERNAL-L TYPE) | 1 | (1) | - | ----- | BJ,LJ,LJG,L1 |
| | | | 1 | - | - | ----- | 3610644 LJG/A |
| | | | 1 | - | - | ----- | 3618032 LJ/A |
| | | | - | (1) | - | ----- | 3611390 L1/A |
| | 87594-ZB4-A00 | MARK, OIL CAUTION | 1 | - | - | ----- | EDS1,EDS1/A,EDT1,EDT1/A,ENT2 |
| | 87530-ZE3-W01 | LABEL, SPECIFICATION | 1 | - | - | ----- | SJ/A,SJG/A,SKE/A,SKZ/A,STJ/A,STR/A |
| | | | 1 | - | - | 3611394 | SJ,SJG,SKE,SKZ,STJ,STR |
| | 87530-ZE3-W41 | | 1 | - | - | ----- | LJS,LJS/A,LJS1,LWD |
| | | | 1 | - | - | 3610645 | LJG/A |
| | | | 1 | - | - | 3618033 | LJ/A |
| | | | - | 1 | - | 3611391 | L1/A |
| 10 | 87532-ZB4-G60 | MARK, OIL ALERT (GERMAN) | 1 | - | - | ----- | STP/A |
| | | | 1 | - | - | 2215598 | STP |
| 11 | 87532-ZH8-000 | MARK, OIL ALERT (INTERNAL) .. | 1 | - | - | ----- | LSX |
| 12 | 87533-ZC0-630 | MARK, AIR CLEANER | 1 | - | - | ----- | EDS1,EDS1/A,EDT1,EDT1/A,ENT2 |
| 15 | 87539-898-620 | MARK, EX. CAUTION (ENGLISH/FRENCH) | 1 | - | - | ----- | EDS1,EDS1/A,EDT1,EDT1/A |
| 16 | 87565-ZB4-A00 | PLATE, FUEL INDICATION | 1 | - | - | ----- | STR,STR/A |
| | 87565-ZE2-000 | MARK, FUEL INDICATION (JAPANESE) | 1 | - | - | ----- | LJG,LJG/A,LJS,LJS/A,LJS1,LWD,LWD1,LWD1/A,SDE,SJG,SJG/A,SKE,SKE/A,SKZ,SKZ/A,STJ,STJ/A |
| 17 | 87135-ZE2-010 | LABEL, E-SPEC (EPA STANDARD) (15.5X60.0) | 1 | - | - | ----- | LJS |
| | | | 1 | - | - | 3334264 | EDS1,EDT1,LJ,LJG,LWD1,SJ,SJG,SKE,SKZ,STJ,STP,STQ,STR,ZK1 |
| | 87135-ZE2-020 | LABEL, E-SPEC (15.5X27.5) ... | 1 | - | - | ----- | LJ/A,LJG/A,LJS/A,LJS1,LWD,LWD1/A,SJ/A,SJG/A,SKE/A,SKZ/A,STJ/A |
| | | | 1 | - | - | 3334264 | 3989217 STP/A,STQ/A,STR/A,ZK1/A |
| | | | 1 | - | - | 3334264 | 3989217 EDS1/A,EDT1/A |
| 18 | 87114-ZH7-000 | LABEL, WARNING (NOT CERTIFIED FOR SALE) | 1 | - | - | 3912093 | LJ/A,LJG/A,LJS/A,LJS1,LWD,LWD1/A,SJ/A,SJG/A,SKE/A,SKZ/A,STJ/A |
| | | | 1 | - | - | 3982175 | STR/A |
| | | | 1 | - | - | 3982175 | EDS1/A,EDT1/A,STP/A,STQ/A,ZK1/A |



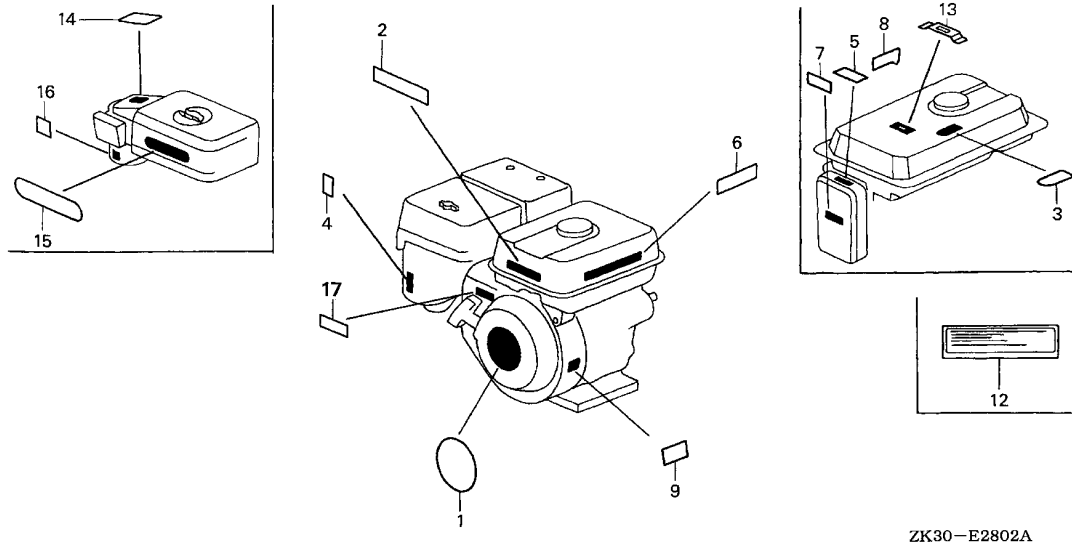


ZK30-E2802A

Ref. (Relative ref. Number)
No. L.O.N. Description F.R.T.

NO INFORMATION

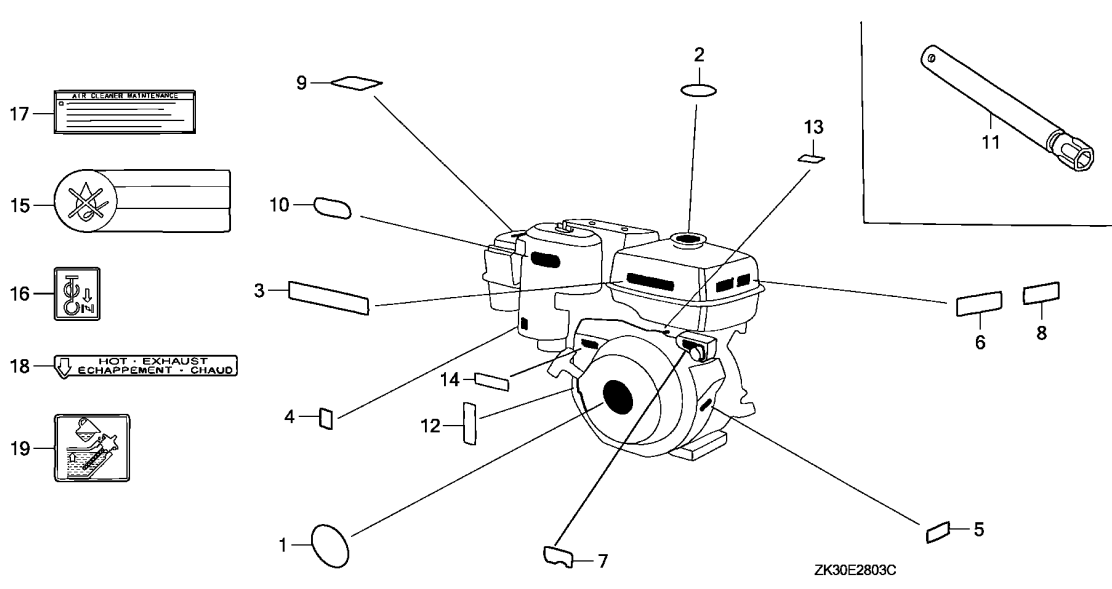
| Ref. No. | Part No. | Description | Reqd. QTY | | | Serial No. | Parts catalogue code |
|----------|---------------|--------------------------------|--------------------|-----|-----|--|----------------------|
| | | | GX 340K1 (1) | (2) | (3) | | |
| 1 | 87521-ZE3-W02 | EMBLEM (GX340 HONDA 11.0) ... | 1 | - | - | EDS2,EDT,EDT2,ENT,QAB2,QAC2,QAG,QA2,QL2,QMX2,QWH2,VC2,VWC2,VWS2 | |
| | 87521-ZE3-W03 | | 1 | - | - | 3663825 EDS2/A,EDT/A,ENT/A,QAB2/A,QAC2/A,QAG/A,QA2/A,QWH2/A,VC2/A,VWC2/A | |
| | 87521-ZE3-W03 | | 1 | - | - | VWS2/A | |
| | 87521-ZE3-W03 | | 1 | - | - | 3663826 VWC | |
| | 87521-ZE3-W03 | | 1 | - | - | EDS2/A,EDT/A,ENT/A,QAB2/A,QAC2/A,QAG/A,QA2/A,QWH2/A,VC2/A,VWC2/A | |
| 2 | 87522-ZH8-W41 | MARK, CAUTION (PICTOGRAPH) .. | 1 | - | - | VWS2/A | |
| | 87522-ZH8-W41 | | 1 | - | - | 3930788 VWC | |
| | 87522-ZH8-W41 | | 1 | - | - | QAG/A,VWC2/A,VWS2/A | |
| | 87522-ZH9-000 | LABEL, CAUTION (ENGLISH, ETC.) | 1 | - | - | 3930787 QAB2,QAB2/A,QAG,QA2,QA2/A,QL2,QMX2,QWH2,QWH2/A,VWC2,VWS2 | |
| | 87522-ZH9-000 | | 1 | - | - | 3930787 QAG/A,VWC2/A,VWS2/A | |
| | 87522-ZH9-010 | | 1 | - | - | VWC | |
| | 87522-ZH9-010 | | 1 | - | - | 3930788 QAG/A,VWC2/A,VWS2/A | |
| 3 | 87522-883-660 | MARK, CAUTION | 1 | - | - | EDS2,EDS2/A,EDT,EDT/A,EDT2,ENT,ENT/A,VC2,VC2/A,VWC | |
| 4 | 87528-ZE2-810 | MARK, CHOKE (ORANGE) | 1 | - | - | QAB2,QAB2/A,QAC2,QAC2/A,QAG,QAG/A,QA2,QA2/A,QL2,QMX2,QWH2 | |
| | 87528-ZE2-810 | | 1 | - | - | QWH2/A,VWC2,VWC2/A,VWS2,VWS2/A | |
| | 87528-ZH7-000 | MARK, CHOKE (GRAY) | 1 | - | - | 3930788 QAG/A,VWC2/A,VWS2/A | |
| 5 | 87528-898-620 | MARK, CHOKE | 1 | - | - | EDS2,EDS2/A,EDT,EDT/A,EDT2,ENT,ENT/A,VC2,VC2/A,VWC | |
| 6 | 87532-ZB4-G60 | MARK, OIL ALERT (GERMAN) | 1 | - | - | VWC2,VWC2/A,VWS2,VWS2/A | |
| | 87532-ZB4-H50 | MARK, OIL ALERT (FRENCH) | 1 | - | - | VWC2,VWC2/A,VWS2,VWS2/A | |
| | 87532-ZH8-810 | MARK, OIL ALERT (EXTERNAL) .. | 1 | - | - | QAB2,QAB2/A,QAC2,QAC2/A,QAG,QA2,QA2/A,QL2,QMX2,QWH2,QWH2/A,VWC | |
| | 87532-ZH8-810 | | 1 | - | - | VWC2,VWS2 | |
| | 87532-ZH8-810 | | 1 | - | - | 3930787 QAG/A,VWC2/A,VWS2/A | |
| 7 | 87533-ZC0-630 | MARK, AIR CLEANER | 1 | - | - | EDS2,EDS2/A,EDT,EDT/A,EDT2,ENT,ENT/A,VC2,VC2/A,VWC | |
| 8 | 87539-898-620 | MARK, EX. CAUTION | 1 | - | - | EDS2,EDS2/A,EDT,EDT/A,EDT2,ENT,ENT/A,VC2,VC2/A,VWC | |
| | 87539-898-620 | (ENGLISH/FRENCH) | 1 | - | - | EDS2,EDS2/A,EDT,EDT/A,EDT2,ENT,ENT/A,VC2,VC2/A,VWC | |
| 9 | 87594-ZB4-A00 | MARK, OIL CAUTION | 1 | - | - | EDS2,EDS2/A,EDT,EDT/A,EDT2,ENT,ENT/A,VC2,VC2/A,VWC | |



ZK30-E2802A

| Ref. No. | Part No. | Description | Reqd. QTY | | | Serial No. | Parts catalogue code |
|----------|---------------|--------------------------------|-----------|-----|-----|------------|---|
| | | | (1) | (2) | (3) | | |
| (9) | 87532-ZH8-810 | MARK, OIL ALERT (EXTERNAL) .. | 1 | - | - | ----- | QAB2,QAB2/A,QAC2,QAC2/A,QAG,QAG/A,QAH2,QAH2/A,QWH2,QWH2/A,VWC |
| 12 | 87522-ZH9-000 | LABEL, CAUTION (ENGLISH, ETC.) | 1 | - | - | ----- | VWC2,VWC2/A,VWS2,VWS2/A |
| 13 | 87565-ZB4-A00 | PLATE, FUEL INDICATION | 1 | - | - | ----- | QAC2,QAC2/A |
| 14 | 87534-ZE1-841 | LABEL, AIR CLEANER CAUTION .. | 1 | - | - | ----- | EDT,EDT/A,ENT,ENT/A |
| 15 | 87535-ZE1-840 | MARK, AIR CLEANER SALES POINT | 1 | - | - | ----- | QWH2,QWH2/A |
| | 87535-ZE1-841 | | 1 | - | - | 3807628 | QWH2 |
| | 87535-ZE1-841 | | 1 | - | - | 3807629 | QWH2/A |
| 16 | 87528-ZE2-810 | MARK, CHOKE (ORANGE) | 1 | - | - | ----- | QWH2,QWH2/A |
| 17 | 87532-ZH8-W40 | MARK, THROTTLE INDICATION ... | 1 | - | - | 3930681 | QAG/A,VWC2/A,VWS2/A |



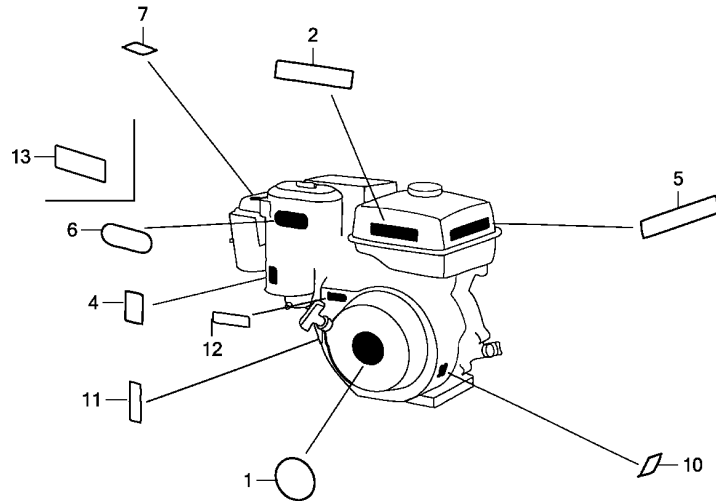


| Ref. No. | L.O.N. | (Relative ref. Number) Description | F.R.T. |
|----------|--------|------------------------------------|--------|
| | | NO INFORMATION | |

| Ref. No. | Part No. | Description | Reqd. QTY | | | Serial No. | Parts catalogue code |
|----------|---------------|---|-----------|-----|-----|------------|--|
| | | | GX 340K1 | (1) | (2) | | |
| 1 | 87521-ZE3-W10 | EMBLEM (GX340 HONDA 11.OHP) (ELECTRONIC IGNITION) | 1 | - | - | 2143835 | HA, LX, QA, QAE, QAP, QAPE, QNE, QXC, SXP, VA, VAH1, VAH2, VXA, VXE |
| | 87521-ZE3-W02 | EMBLEM (GX340 HONDA 11.0) ... | 1 | - | - | ----- | HAQ, HA2, HX2, LX2, QAE2, QAP2, QAQ, QA2, QH2, QNE2, QNE9, QN18, QPE2, QXC9, QXE2, QX2, VAW1, VA2, VDE, VH12, VWA, VXE2 |
| | | | 1 | - | - | 2143836 | HA, LX, QA, QAE, QAP, QAPE, QNE, QXC, SXP, VA, VAH1, VAH2, VXA, VXE |
| | | | 1 | - | - | 3663825 | HA2/A, LX/A, LX2/A, QAE2/A, QAP2/A, QA2/A, QNE2/A, QNE9/A, QXC/A, QXC9/A, VA2/A, VH12/A, VXE/A, VXE2/A |
| | 87521-ZE3-W03 | | 1 | - | - | ----- | VWE |
| | | | 1 | - | - | 3663826 | HA2/A, LX2/A, QAE2/A, QAP2/A, QA2/A, QNE2/A, QNE9/A, QXC9/A, VA2/A, VH12/A, VXE2/A |
| | | | 1 | - | - | 3663826 | LX/A, QXC/A, VXE/A |
| | 87521-ZE3-W04 | EMBLEM (GX340) | 1 | - | - | 4072395 | LX/A, QXC/A, VXE/A |
| 2 | 87522-ZE1-810 | MARK, CAUTION | 1 | - | - | 2302949 | HA, HAQ, LX, QA, QAE, QAP, QAPE, QAQ, QNE, QNE9, QXC, SXP, VA, VXE |
| 3 | 87522-ZH8-W41 | MARK, CAUTION (PICTOGRAPH) .. | 1 | - | - | ----- | VWE |
| | | | 1 | - | - | 3930788 | QAE2/A, QAP2/A, QA2/A, QNE2/A, QXC9/A |
| | 87522-ZH9-000 | LABEL, CAUTION (ENGLISH, ETC.) | 1 | - | - | ----- | HA, HAQ, HA2, HA2/A, HX2, LX, LX/A, LX2, LX2/A, QA, QAE, QAE2, QAP, QAPE, QAP2, QAQ, QA2, QH2, QNE, QNE2, QNE9, QNE9/A, QN18, QPE2, QXC, QXC/A, QXC9, QXE2, QX2, SXP, VA, VA2, VA2/A, VDE, VH12, VH12/A, VXE, VXE/A, VXE2, VXE2/A |
| | | | 1 | - | - | 3930787 | QAE2/A, QAP2/A, QA2/A, QNE2/A, QXC9/A |
| | 87522-ZH9-010 | | 1 | - | - | ----- | VWE |
| | | | 1 | - | - | 3930788 | QAE2/A, QAP2/A, QA2/A, QNE2/A, QXC9/A |
| 4 | 87528-ZE2-810 | MARK, CHOKE (ORANGE) | 1 | - | - | ----- | HA, HAQ, HA2, HA2/A, HX2, LX, LX/A, LX2, LX2/A, QA, QAE, QAE2, QAE2/A, QAP, QAPE, QAP2, QAP2/A, QAQ, QA2, QA2/A, QH2, QNE, QNE2, QNE2/A, QNE9, QNE9/A, QN18, QPE2, QXC, QXC/A, QXC9, QXC9/A, QXE2, QX2, SXP, VA, VAH1, VAH2, VAW1, VA2, VA2/A, VDE, VH12, VH12/A, VWA, VXA, VXE, VXE/A, VXE2, VXE2/A |
| | 87528-ZH7-000 | MARK, CHOKE (GRAY) | 1 | - | - | 3930788 | QAE2/A, QAP2/A, QA2/A, QNE2/A, QXC9/A |

| Ref. No. | Part No. | Description | Reqd. QTY | | | Serial No. | Parts catalogue code |
|----------|---------------|--|-----------|-----|-----|------------|--|
| | | | (1) | (2) | (3) | | |
| 5 | 87530-ZE3-W10 | LABEL, SPECIFICATION (EXTERNAL) | 1 | - | - | ----- | VWA |
| | | | 1 | - | - | ----- | 2205609 HA,HAQ,LX,QA,QAE,QAP,QAPE,QAQ,QNE,QNE9,QXC,SXP,VA,VAH1,VAH2,VXA VXE |
| 6 | 87532-ZB4-G60 | MARK, OIL ALERT (GERMAN) | 1 | - | - | ----- | LX/A,QNE9/A,QN18,QXC/A,QXC9,QXC9/A,VAW1,VDE,VXE/A |
| | 87532-ZB4-H50 | MARK, OIL ALERT (FRENCH) | 1 | - | - | ----- | 2215598 HA,HAQ,LX,QA,QAE,QAP,QAPE,QAQ,QNE,QNE9,QXC,SXP,VA,VXA,VXE |
| | | | 1 | - | - | ----- | LX/A,QNE9/A,QN18,QXC/A,QXC9,QXC9/A,VAW1,VDE,VXE/A |
| | | | 1 | - | - | ----- | 2215598 HA,HAQ,LX,QA,QAE,QAP,QAPE,QAQ,QNE,QNE9,QXC,SXP,VA,VXA,VXE |
| 7 | 87532-ZE1-810 | MARK, OIL ALERT (EXTERNAL) .. | 1 | - | - | ----- | 2143683 HA,LX,QA,QAP,QXC,SXP,VA,VAH1,VXA |
| 8 | 87532-ZH8-810 | MARK, OIL ALERT (EXTERNAL) .. | 1 | - | - | ----- | HAQ,HA2,HA2/A,HX2,LX/A,LX2,LX2/A,QAE2,QAP2,QAQ,QA2,QNE2,QNE9 QNE9/A,QN18,QPE2,QXC/A,QXC9,QXE2,QX2,VAW1,VA2,VA2/A,VDE,VWE,VXE/A VXE2,VXE2/A |
| | | | 1 | - | - | ----- | 2143684 HA,LX,QA,QAE,QAP,QAPE,QNE,QXC,SXP,VA,VXA,VXE |
| | | | 1 | - | - | ----- | 3930787 QAE2/A,QAP2/A,QA2/A,QNE2/A,QXC9/A |
| 9 | 87534-ZE1-841 | LABEL, AIR CLEANER CAUTION .. | 1 | - | - | ----- | QXC,QXC/A,QXC9,QXC9/A |
| 10 | 87535-ZE1-840 | MARK, AIR CLEANER SALES POINT | 1 | - | - | ----- | QXC,QXC9 |
| | | | 1 | - | - | ----- | 3670223 QXC/A,QXC9/A |
| | 87535-ZE1-841 | | 1 | - | - | ----- | 3670224 QXC/A,QXC9/A |
| 11 | 89218-ZE1-000 | WRENCH COMP., SPARK PLUG | 1 | - | - | ----- | HA,HAQ,HA2,HA2/A,QA,QAE,QAE2,QAE2/A,QAP,QAPE,QAP2,QAP2/A,QAQ,QA2 QA2/A,QNE,QNE2,QNE2/A,QNE9,QNE9/A,QPE2,VA,VA2,VA2/A,VDE |
| | | | (1) | - | - | ----- | QN18,VAW1 |
| 12 | 87135-ZE2-000 | LABEL, E-SPEC (HONDA) (EPA STANDARD)(15.5X60.0) | 1 | - | - | ----- | 3334264 3461747 LX,QXC,VXE |
| | 87135-ZE2-010 | LABEL, E-SPEC (EPA STANDARD) (15.5X60.0) | 1 | - | - | ----- | 3461748 LX,QXC,VXE |
| | 87135-ZE2-020 | LABEL, E-SPEC (15.5X27.5) ... | 1 | - | - | ----- | 3989217 LX/A,QXC/A,VXE/A |
| 13 | 87586-ZH7-W00 | LABEL, FUEL CAUTION | 1 | - | - | ----- | HAQ,QAQ,QNE9,QNE9/A |
| 14 | 87532-ZH8-W40 | MARK, THROTTLE INDICATION ... | 1 | - | - | ----- | 3930681 QAE2/A,QAP2/A,QA2/A,QNE2/A,QXC9/A |
| 15 | 87522-883-660 | MARK, CAUTION (ENGLISH/FRENCH/SPANISH) | 1 | - | - | ----- | VWE |
| 16 | 87528-898-620 | MARK, CHOKE | 1 | - | - | ----- | VWE |
| 17 | 87533-ZC0-630 | MARK, AIR CLEANER | 1 | - | - | ----- | VWE |
| 18 | 87539-898-620 | MARK, EX. CAUTION (ENGLISH/FRENCH) | 1 | - | - | ----- | VWE |
| 19 | 87594-ZB4-A00 | MARK, OIL CAUTION | 1 | - | - | ----- | VWE |



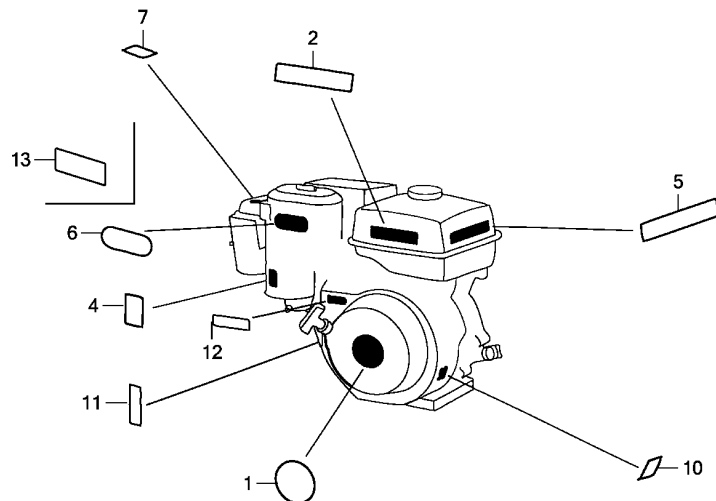


ZK30E2804C

Ref. L.O.N. (Relative ref. Number) F.R.T.
No. Description

NO INFORMATION

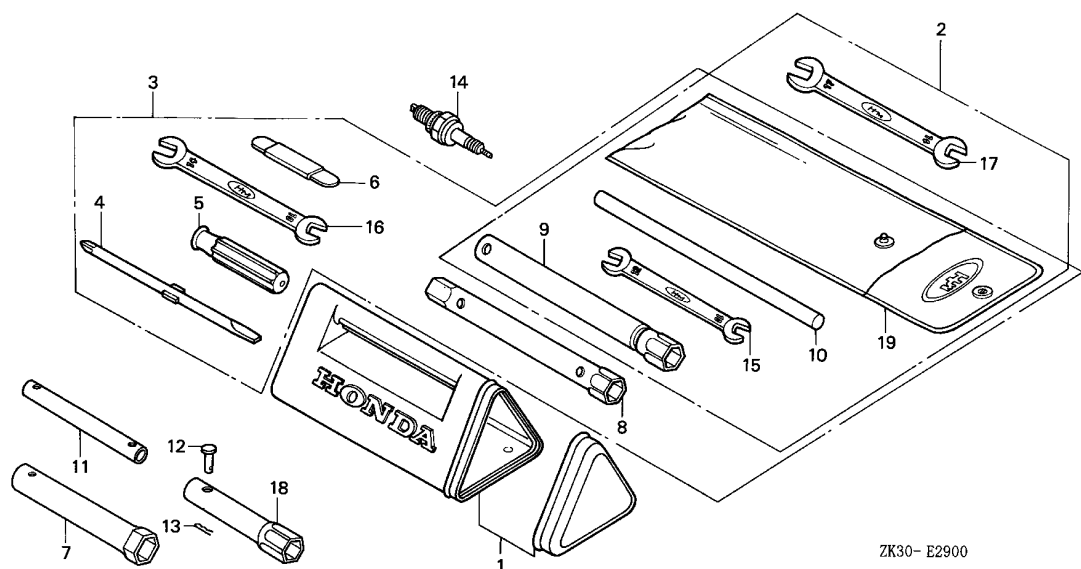
| Ref. No. | Part No. | Description | Reqd. QTY | | | Serial No. | Parts catalogue code |
|----------|---------------|--------------------------------|-----------|-------|-----|------------|---|
| | | | GX | 340K1 | | | |
| | | | (1) | (2) | (3) | | |
| 1 | 87521-ZE3-W02 | EMBLEM (GX340 HONDA 11.0) ... | 1 | - | - | ----- | EDE2,EDN2,LXE2,PKT2,QDW9,QMT2,QNR2,QTC2,SME2,SMX2,SXE2,VAD2,VDE2,VH22,VWA2,VWE2,VW12 |
| | | | 1 | - | - | 3658029 | PKX2 |
| | | | 1 | - | - | 3663825 | EDE2/A,EDN2/A,LXE2/A,PKT2/A,QDW9/A,QMT2/A,QNR2/A,QTC2/A,SMX2/A,VAD2/A,VDE2/A,VH22/A,VWE2/A,VW12/A |
| | 87521-ZE3-W03 | | 1 | - | - | 3658030 | PKX2 |
| | | | 1 | - | - | 3663826 | EDE2/A,EDN2/A,LXE2/A,PKT2/A,QDW9/A,QMT2/A,QNR2/A,QTC2/A,SMX2/A,VAD2/A,VDE2/A,VH22/A,VWE2/A,VW12/A |
| 2 | 87522-ZH9-010 | LABEL, CAUTION (ENGLISH, ETC.) | 1 | - | - | ----- | LXE2,LXE2/A,PKT2,PKT2/A,PKX2,QDW9,QDW9/A,QMT2,QMT2/A,QNR2,QNR2/A,QTC2,QTC2/A,SME2,SMX2,SMX2/A,SXE2,VAD2,VAD2/A,VDE2,VDE2/A,QDW9/A |
| | 87522-ZH8-W41 | MARK, CAUTION (PICTOGRAPH) .. | 1 | - | - | 3930788 | ----- |
| 4 | 87528-ZE2-810 | MARK, CHOKE (ORANGE) | 1 | - | - | ----- | LXE2,LXE2/A,PKT2,PKT2/A,PKX2,QDW9,QDW9/A,QMT2,QMT2/A,QNR2,QNR2/A,QTC2,QTC2/A,SME2,SMX2,SMX2/A,SXE2,VAD2,VAD2/A,VDE2,VDE2/A,VH22,VH22/A,VWA2,VWE2,VWE2/A,VW12,VW12/A |
| | 87528-ZH7-000 | MARK, CHOKE (GRAY) | 1 | - | - | 3930788 | ----- |
| | 87528-898-620 | MARK, CHOKE | 1 | - | - | ----- | EDE2,EDE2/A,EDN2,EDN2/A |
| 5 | 87532-ZB4-G60 | MARK, OIL ALERT (GERMAN) | 1 | - | - | ----- | LXE2,LXE2/A,PKT2,PKT2/A,QDW9,QDW9/A,QMT2,QMT2/A,QNR2,QNR2/A,QTC2,QTC2/A,SME2,SMX2,SMX2/A,SXE2,VAD2,VAD2/A,VDE2,VDE2/A,VW12,VW12/A |
| | 87532-ZB4-H50 | MARK, OIL ALERT (FRENCH) | 1 | - | - | ----- | LXE2,LXE2/A,PKT2,PKT2/A,QDW9,QDW9/A,QMT2,QMT2/A,QNR2,QNR2/A,QTC2,QTC2/A,SME2,SMX2,SMX2/A,SXE2,VAD2,VAD2/A,VDE2,VDE2/A,VW12,VW12/A |
| | 87532-ZH8-810 | MARK, OIL ALERT (EXTERNAL) .. | 1 | - | - | ----- | LXE2,LXE2/A,PKT2,PKT2/A,PKX2,QDW9,QMT2,QMT2/A,QNR2,QNR2/A,QTC2,QTC2/A,SME2,SMX2,SMX2/A,SXE2,VAD2,VAD2/A,VDE2,VDE2/A,VWE2,VWE2/A,VW12,VW12/A |
| | | | 1 | - | - | 3930787 | QDW9/A |
| 6 | 87535-ZE1-840 | MARK, AIR CLEANER SALES POINT | 1 | - | - | ----- | QDW9 |
| | | | 1 | - | - | 3600223 | QDW9/A |
| | 87535-ZE1-841 | | 1 | - | - | 3600224 | QDW9/A |
| 7 | 87534-ZE1-841 | LABEL, AIR CLEANER CAUTION .. | 1 | - | - | ----- | QDW9,QDW9/A |



ZK30E2804C

| Ref. No. | Part No. | Description | Reqd. QTY | | | Serial No. | Parts catalogue code |
|----------|---------------|--|--------------------|-----|-----|-----------------|-------------------------|
| | | | GX 340K1 (1) | (2) | (3) | | |
| 10 | 87594-ZB4-A00 | MARK, OIL CAUTION | 1 | - | - | ----- | EDE2,EDE2/A,EDN2,EDN2/A |
| 11 | 87135-ZE2-000 | LABEL, E-SPEC (HONDA) (EPA STANDARD)(15.5X60.0) | 1 | - | - | 3334264 3461747 | QMT2 |
| | 87135-ZE2-010 | LABEL, E-SPEC (EPA STANDARD) (15.5X60.0) | 1 | - | - | ----- | QMT2/A |
| | | | 1 | - | - | 3461748 | QMT2 |
| 12 | 87532-ZH8-W40 | MARK, THROTTLE INDICATION ... | 1 | - | - | 3930681 | QDW9/A |
| 13 | 87533-ZC0-630 | MARK, AIR CLEANER | 1 | - | - | ----- | EDE2,EDE2/A,EDN2,EDN2/A |





ZK30-E2900

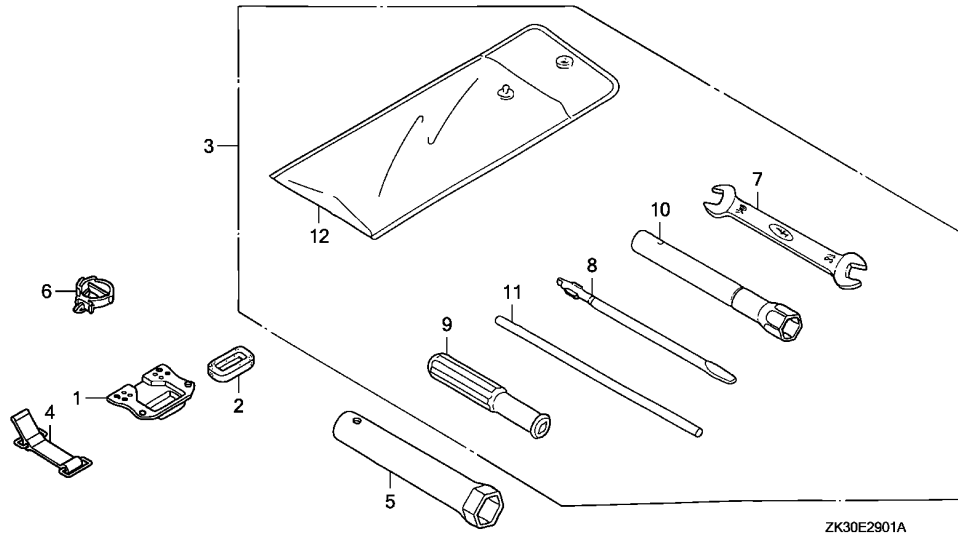
Ref. L.O.N. (Relative ref. Number) F.R.T.
No. Description

NO INFORMATION

| Ref. No. | Part No. | Description | Reqd. QTY | | | Serial No. | Parts catalogue code |
|----------|---------------|-------------------------------|-----------|-----|-----|------------|---|
| | | | GX | (1) | (2) | | |
| 1 | 83501-ZF1-000 | BOX, TOOL | 1 | - | - | ----- | LT,LT/A,QHB3,QHB3/A,QT,QT/A,SWX,SWX/A |
| 2 | 89000-ZE1-000 | TOOL KIT | 1 | - | - | 2667055 | QP |
| | | | 1 | - | - | 2667056 | EDN,LHW,QHP1,QHP1/A,QMH,QMH/A,QP/A,VMX QP |
| 3 | 89001-ZF1-000 | BAG SET, TOOL | 1 | (1) | - | ----- | LT,LT/A,QHB3,QHB3/A,QT,QT/A,SWX,SWX/A |
| | | | 1 | - | - | 2667055 | QP |
| 4 | 89102-538-000 | DRIVER, SCREW (NO.2 + -) | 1 | - | - | ----- | LT,LT/A,QHB3,QHB3/A,QT,QT/A,SWX,SWX/A |
| | | | 1 | - | - | 2667055 | QP |
| 5 | 89103-538-000 | GRIP | 1 | - | - | ----- | LT,LT/A,QHB3,QHB3/A,QT,QT/A,SWX,SWX/A |
| | | | 1 | - | - | 2667055 | QP |
| 6 | 89210-ZF1-000 | GAUGE ASSY., THICKNESS | 1 | - | - | ----- | LT,LT/A,QHB3,QHB3/A,QT,QT/A,SWX,SWX/A |
| | | | 1 | - | - | 2667055 | QP |
| 7 | 89216-ZB4-000 | WRENCH, PLUG | 1 | - | - | ----- | EDS,EDS1,EDS1/A,EDS2,EDS2/A,EDS4,EDS6,EDS6/A,EDT,EDT/A,EDT1 EDT1/A,EDT2,EDT3,EDT6,EDT6/A,ED6,ED6/A,ENT,ENT/A,EN6,EN6/A,ES3 ES3/A,ES4,ES4/A,VC2,VC2/A,VMQ,VMT,VMT/A,VS2,VS3,VS4,VS5,VS6,VS7 VTE2 |
| 8 | 89216-ZF1-000 | WRENCH, BOX | 1 | - | - | ----- | LT,LT/A,QHB3,QHB3/A,QT,QT/A,SWX,SWX/A |
| | | | 1 | - | - | 2667055 | QP |
| 9 | 89218-ZE1-000 | WRENCH COMP., SPARK PLUG | 1 | - | - | ----- | EDK,EDN,EDN5,EDN5/A,ED7,ED8,ED8/A,ED9,ED9/A,EN,ES,ES1,ES1/A,ES2 ET,ETS,ETX,LHW,LP,LT,LT/A,PKT4,PKT4/A,PKX4,PKX4/A,QAB2,QAB2/A QAC2,QAC2/A,QAE6,QAE6/A,QA2,QA2/A,QA26,QA26/A,QE,QE/A,QHB3 QHB3/A,QHP1,QHP1/A,QKA4,QKA4/A,QME8,QME8/A,QMH,QMH/A,QMX2,QNE6,QP QP/A,QT,QT/A,SE,SE/A,SHT,SWX,SWX/A,VMX,VNG,VNG1,VNG2 PXA2,QL2,QNR6,QNR6/A |
| | | | (1) | - | - | ----- | |
| | | | - | (1) | - | ----- | |

| Ref. No. | Part No. | Description | Reqd. QTY | | | Serial No. | Parts catalogue code |
|----------|---------------|-------------------------------|-----------|-----|-----|------------|--|
| | | | (1) | (2) | (3) | | |
| 10 | 89219-805-000 | HANDLE, BOX WRENCH | 1 | - | - | ----- | EDN,LHW,LT,LT/A,QHB3,QHB3/A,QHP1,QHP1/A,QMH,QMH/A,QP,QP/A,QT,QT/A SWX,SWX/A,VMX |
| | | | - | (1) | - | | |
| 11 | 89220-ZE2-000 | PIPE, BOX WRENCH EXTENSION .. | - | (1) | - | | |
| 12 | 90755-758-L00 | PIN, ROLLER ARM, 8X22 | - | (1) | - | | |
| 13 | 94252-08000 | PIN, LOCK, 8MM | - | (1) | - | | |
| 14 | 98079-55846 | PLUG, SPARK (BPR5ES)(NGK) ... | 1 | - | - | ----- | VS2,VS7 |
| | 98079-56841 | PLUG, SPARK (BP6ES)(NGK) | 1 | - | - | ----- | 3032023 QHB3 |
| | 98079-56854 | PLUG, SPARK (W20EP-U)(DENSO) | 1 | - | - | ----- | LP |
| | | | 1 | - | - | ----- | 2085033 QT |
| | | | - | (1) | - | | |
| | 98079-56855 | PLUG, SPARK (W20EPR-U)(DENSO) | 1 | - | - | ----- | HX26,HX26/A,LHW,LXE6,LX26,LX26/A,QAE6,QAE6/A,QA26,QA26/A,QHP1 QHP1/A,QNE6,QNR6,QNR6/A,QXC6,QXC6/A,QXE6,QXE6/A,SWX,SWX/A,VD16 VEB6,VXE6,VXK,VX16,VX16/A |
| | | | - | (1) | - | | |
| | 98079-56846 | PLUG, SPARK (BPR6ES)(NGK) ... | 1 | - | - | ----- | ED8,ED8/A,ED9,ED9/A,ES2,HX26,HX26/A,LHW,LXE6,LX26,LX26/A,PKX2 QAE6,QAE6/A,QA26,QA26/A,QHP1,QHP1/A,QNE6,QNR6,QNR6/A,QXC6,QXC6/A QXE6,QXE6/A,SWX,SWX/A,VD16,VEB6,VX,VX/A,VXB2,VXE6,VXK,VX16,VX16/A |
| | | | (1) | - | - | ----- | QHB3/A |
| | | | (1) | - | - | ----- | 3032024 QHB3 |
| | | | - | (1) | - | | |
| 15 | 99001-10120 | SPANNER, 10X12 | 1 | - | - | ----- | EDN,LHW,LT,LT/A,QHB3,QHB3/A,QHP1,QHP1/A,QMH,QMH/A,QP,QP/A,QT,QT/A SWX,SWX/A,VMX |
| | | | - | (1) | - | | |
| 16 | 99001-10140 | SPANNER, 10X14 | 1 | - | - | ----- | LT,LT/A,QHB3,QHB3/A,QT,QT/A,SWX,SWX/A |
| | | | 1 | - | - | ----- | 2667055 QP |
| 17 | 99001-14170 | SPANNER, 14X17 | 1 | - | - | ----- | EDN,LHW,QHP1,QHP1/A,QMH,QMH/A,VMX |
| | | | - | (1) | - | | |
| 18 | 99004-21003 | WRENCH, BOX (P21) | - | (1) | - | | |
| 19 | 99008-02300 | BAG, TOOL, 230MM | 1 | - | - | ----- | EDN,LHW,LT,LT/A,QHB3,QHB3/A,QHP1,QHP1/A,QMH,QMH/A,QP,QP/A,QT,QT/A SWX,SWX/A,VMX |
| | | | - | (1) | - | | |



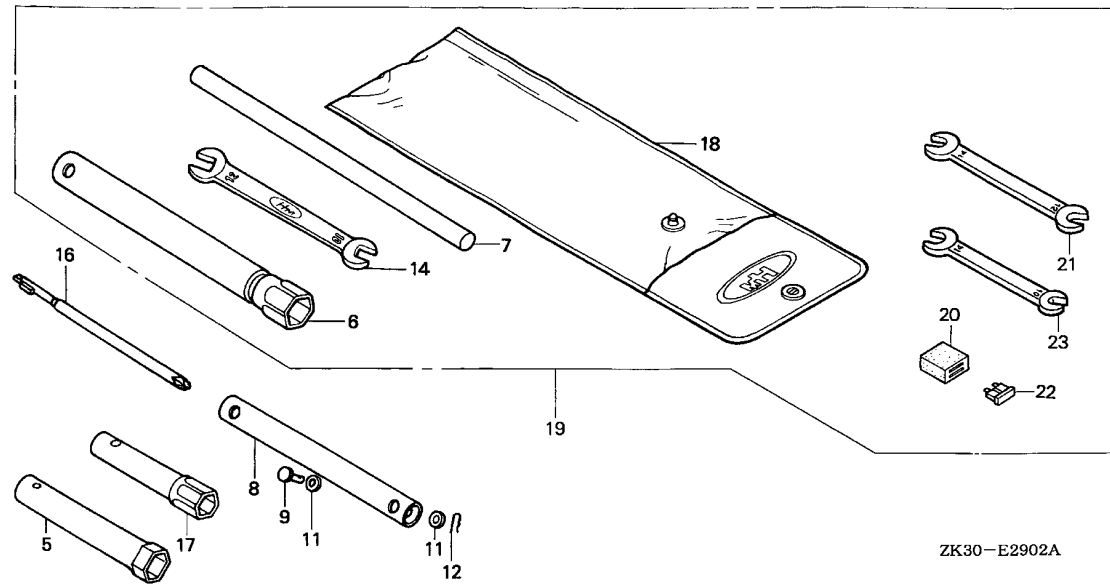


ZK30E2901A

| Ref. No. | L.O.N. | (Relative ref. Number) | Description | F.R.T. |
|----------|--------|------------------------|-------------|--------|
|----------|--------|------------------------|-------------|--------|

NO INFORMATION

| Ref. No. | Part No. | Description | Reqd. QTY | | | Serial No. | Parts catalogue code |
|----------|---------------|--------------------------------------|-----------|-------|-----|------------|----------------------|
| | | | GX | 340K1 | | | |
| | | | (1) | (2) | (3) | | |
| 1 | 68310-ZB7-000 | GUIDE, UNDER AIR | 1 | - | - | ----- | EDS5 |
| 2 | 68312-ZB7-000 | SEAL, UNDER AIR GUIDE | 1 | - | - | ----- | EDS5 |
| 3 | 89000-ZB6-000 | TOOL KIT | 1 | - | - | ----- | EDS5,LHB5,QHB5 |
| 4 | 89011-192-700 | BAND, TOOL SETTING | 1 | - | - | ----- | EDS5 |
| 5 | 89216-ZB4-000 | WRENCH, PLUG | 1 | - | - | ----- | EDS3 |
| 6 | 90690-SA0-003 | STRAP, WIRE HARNESS, 25MM (BLACK) | 2 | - | - | ----- | EDS5 |
| 7 | 99001-10120 | SPANNER, 10X12 | 1 | - | - | ----- | EDS5,LHB5,QHB5 |
| 8 | 99003-30000 | DRIVER MINUS SCREW 3,(NO.2) - | 1 | - | - | ----- | EDS5,LHB5,QHB5 |
| 9 | 99003-50000 | GRIP, SCREW DRIVER | 1 | - | - | ----- | EDS5,LHB5,QHB5 |
| 10 | 99004-21003 | WRENCH, BOX (P21) | 1 | - | - | ----- | EDS5,LHB5,QHB5 |
| 11 | 99005-01000 | BAR A, HANDLE | 1 | - | - | ----- | EDS5,LHB5,QHB5 |
| 12 | 99008-02000 | BAG, TOOL, 200MM | 1 | - | - | ----- | EDS5,LHB5,QHB5 |



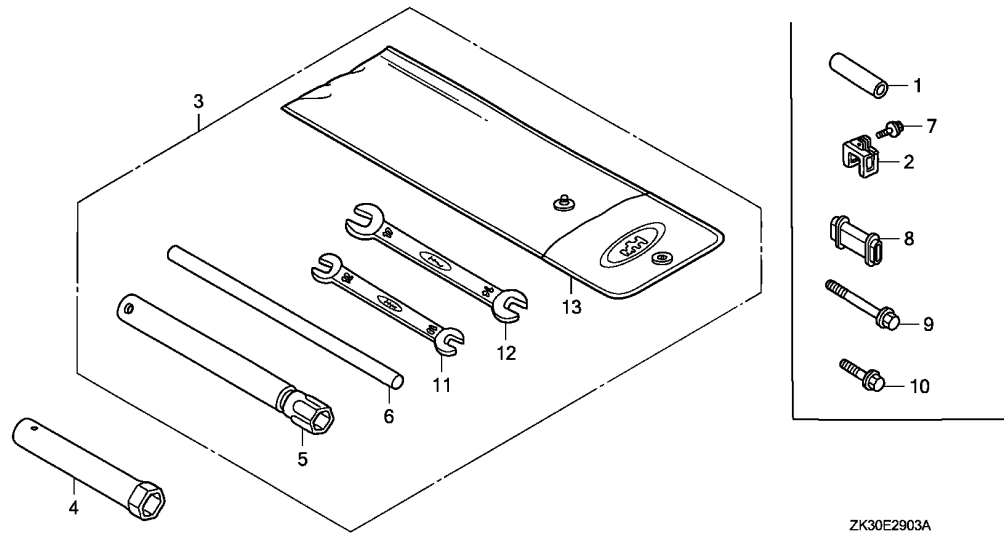
ZK30-E2902A

Ref. No. L.O.N. (Relative ref. Number) Description F.R.T.

NO INFORMATION

| Ref. No. | Part No. | Description | Reqd. QTY | | | Serial No. | Parts catalogue code |
|----------|---------------|---------------------------------------|-----------|-------|-----|------------|--|
| | | | GX | 340K1 | | | |
| | | | (1) | (2) | (3) | | |
| 5 | 89216-ZB4-000 | WRENCH, PLUG | 1 | - | - | ----- | EDS1,EDS1/A,EDT1,EDT1/A |
| 6 | 89218-ZE1-000 | WRENCH COMP., SPARK PLUG | 1 | - | - | ----- | BJ,LJ,LJ/A,LJG,LJG/A,LJS,LJS/A,LJS1,LSX,LWD,LWD1,LWD1/A,SDE,SJ SJ/A,SJG,SJG/A,SKE,SKE/A,SKZ,SKZ/A,STJ,STJ/A,STP,STP/A,STQ,STQ/A STR,STR/A,YJ |
| 7 | 89219-805-000 | HANDLE, BOX WRENCH | 1 | - | - | ----- | LWD,LWD1,LWD1/A |
| 8 | 89220-ZE3-L60 | PIPE, BOX WRENCH EXTENSION .. | 1 | - | - | ----- | ZK1,ZK1/A |
| 9 | 90752-752-000 | PIN, FLAT, 6X27.5 | 1 | - | - | ----- | ZK1,ZK1/A |
| 11 | 94101-06000 | WASHER, PLAIN, 6MM | 2 | - | - | ----- | ZK1,ZK1/A |
| 12 | 94251-06000 | PIN, LOCK, 6MM | 1 | - | - | ----- | ZK1,ZK1/A |
| 14 | 99001-10120 | SPANNER, 10X12 | 1 | - | - | ----- | LWD,LWD1,LWD1/A |
| 16 | 99003-20000 | DRIVER PLUS SCREW 2,(NO.3) .. | 1 | - | - | ----- | ZK1,ZK1/A |
| 17 | 99004-21003 | WRENCH, BOX (P21) | 1 | - | - | ----- | ZK1,ZK1/A |
| 18 | 99008-02300 | BAG, TOOL, 230MM | 1 | - | - | ----- | LWD,LWD1,LWD1/A |
| 19 | 89000-766-800 | TOOL SET | 1 | - | - | ----- | LWD,LWD1,LWD1/A |
| 20 | 38306-KK4-000 | SUSPENSION, WINKER RELAY (MITSUBA) | 1 | - | - | ----- | LWD,LWD1,LWD1/A |
| 21 | 89216-KB7-000 | SPANNER, 12X14 | 1 | - | - | ----- | LWD,LWD1,LWD1/A |
| 22 | 98200-32000 | FUSE, BLADE (20A) | 2 | - | - | ----- | LWD,LWD1,LWD1/A |
| 23 | 99001-10140 | SPANNER, 10X14 | 1 | - | - | ----- | LWD,LWD1,LWD1/A |





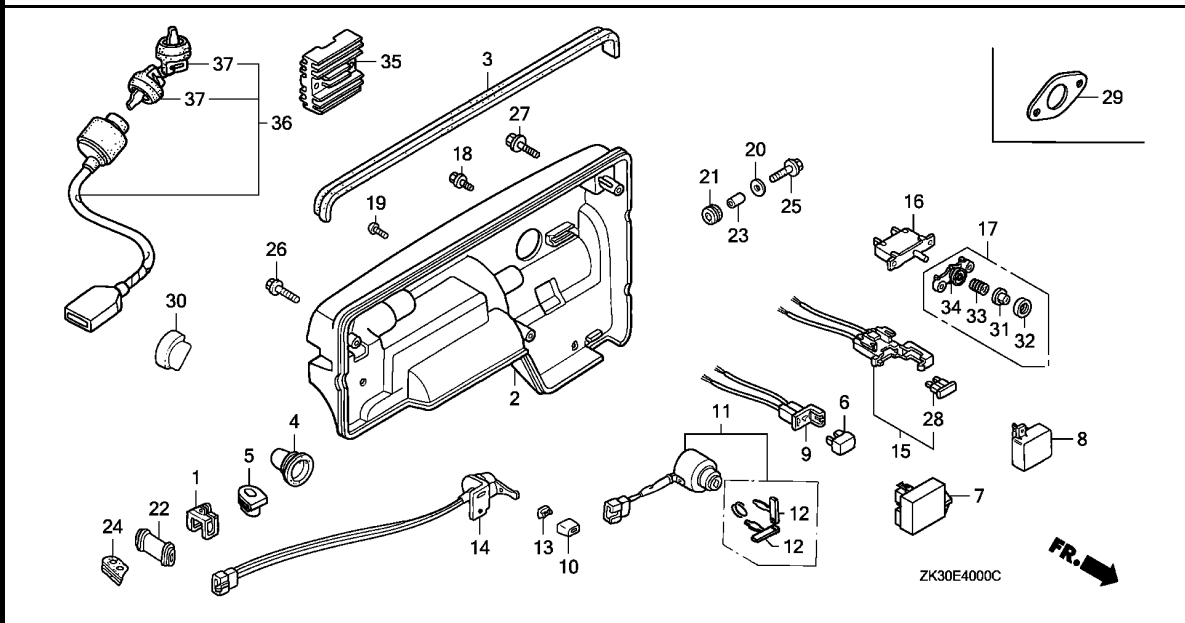
ZK30E2903A

Ref. L.O.N. (Relative ref. Number) F.R.T.
No. Description

NO INFORMATION

2

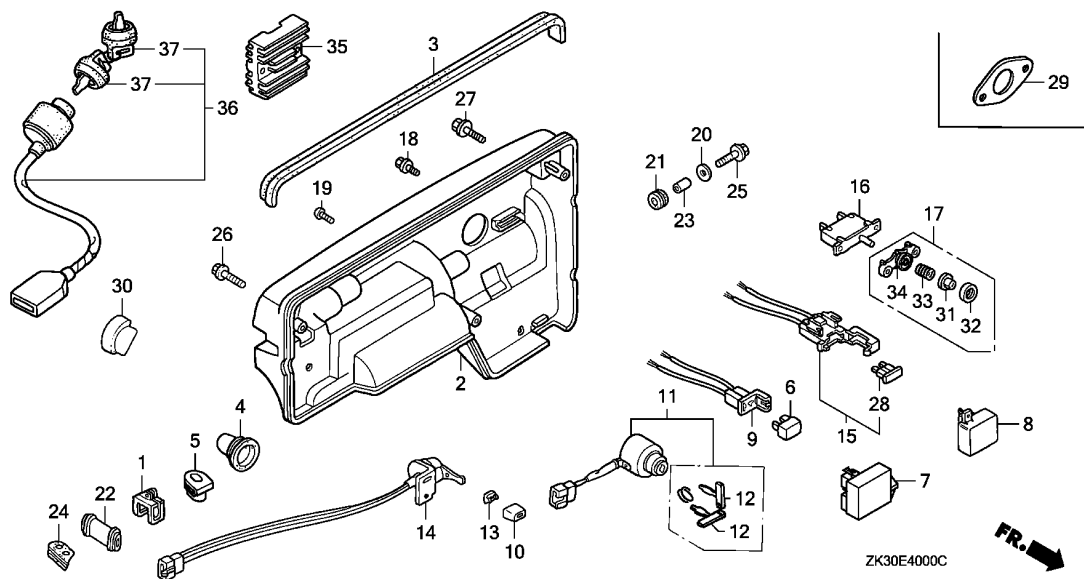
| Ref. No. | Part No. | Description | Reqd. QTY | | | Serial No. | Parts catalogue code |
|----------|----------------|-------------------------------|-----------|-------|-----|---|----------------------|
| | | | GX | 340K1 | | | |
| | | | (1) | (2) | (3) | | |
| 1 | 18301-ZE2-V60 | COLLAR, 10X16X53 | 1 | - | - | ----- ED6,ED6/A | |
| 2 | 30561-ZB4-000 | CLIP, WIRE | 1 | - | - | 3659637 ----- ENT/A | |
| 3 | 89000-ZE1-000 | TOOL KIT | 1 | - | - | 2764578 ----- EDE2,EDN2 | |
| 4 | 89216-ZB4-000 | WRENCH, PLUG | 1 | - | - | ----- ED6,ED6/A | |
| 5 | 89218-ZE1-000 | WRENCH COMP., SPARK PLUG | 1 | - | - | ----- PKT2,PKT2/A,PKX2,QTC2,QTC2/A,SME2,SMX2,SMX2/A | |
| | | | 1 | - | - | 2764578 ----- EDE2,EDN2 | |
| | | | (1) | - | - | ----- QNR2,QNR2/A,VDE2,VDE2/A,VW12,VW12/A | |
| 6 | 89219-805-000 | HANDLE, BOX WRENCH | 1 | - | - | 5165563 ----- EDE2,EDN2 | |
| 7 | 90013-883-000 | BOLT, FLANGE, 6X12(CT200) ... | 1 | - | - | ----- ED6,ED6/A | |
| | | | 1 | - | - | 3659637 ----- ENT/A | |
| 8 | 91406-ZB4-000 | TUBE, CORD | 1 | - | - | ----- ED6,ED6/A | |
| 9 | 95701-08070-00 | BOLT, FLANGE, 8X70 | 1 | - | - | ----- ED6,ED6/A | |
| | | | 1 | - | - | 3659637 ----- ENT/A | |
| 10 | 95801-08020-18 | BOLT, FLANGE, 8X20 | 1 | - | - | ----- ED6,ED6/A | |
| 11 | 99001-10120 | SPANNER, 10X12 | 1 | - | - | 2764578 ----- EDE2,EDN2 | |
| 12 | 99001-14170 | SPANNER, 14X17 | 1 | - | - | 2764578 ----- EDE2,EDN2 | |
| 13 | 99008-02300 | BAG, TOOL, 230MM | 1 | - | - | 2764578 ----- EDE2,EDN2 | |



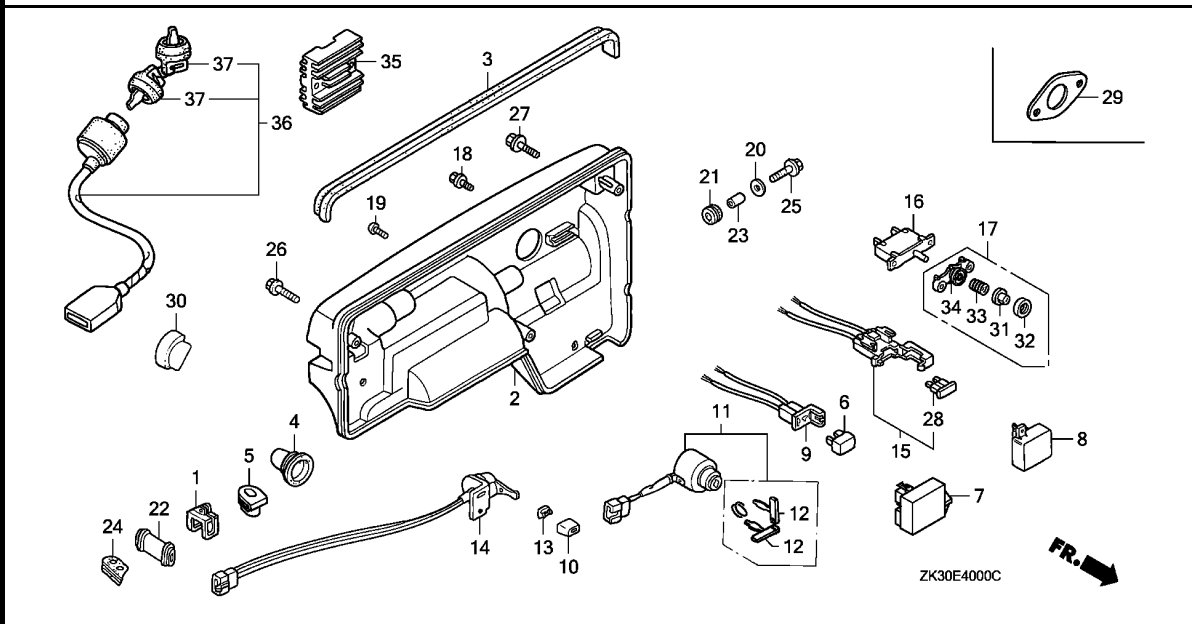
| Ref. No. | L.O.N. | (Relative ref. Number) Description | F.R.T. |
|----------------------|--------|------------------------------------|--------|
| NO INFORMATION | | | |

| Ref. No. | Part No. | Description | Reqd. QTY | | | Serial No. | Parts catalogue code |
|----------|-----------------|--|-----------|-------|-----|------------|---|
| | | | GX | 340K1 | | | |
| | | | (1) | (2) | (3) | | |
| 1 | 30561-ZB4-000 | CLIP, WIRE | 1 | - | - | ----- | EDS,EDS1,EDS1/A,EDS2,EDS2/A,EDS3,EDS4,EDS6,EDS6/A,EDT,EDT/A,EDT1,EDT1/A,EDT2,EDT6,EDT6/A,ED6,ED6/A,ENT,ENT/A,EN6,EN6/A,VTE2 |
| 2 | 31425-ZB4-010ZA | CASE, CONTROL *R8*.....BRIGHT RED | 1 | - | - | ----- | EDS,ED6,ENT |
| | 31425-ZB4-010ZB | *NH1*.....BLACK | 1 | - | - | ----- | ED6/A,ENT/A |
| | 31425-ZB4-010ZC | *T68*.....TSURUMI BLUE | 1 | - | - | ----- | ENT,ENT/A |
| | 31425-ZB4-010ZD | *R280*.....POWER RED | 1 | - | - | ----- | EDT,EDT/A |
| 3 | 31462-ZB4-000 | RUBBER, CONTROL | 1 | - | - | ----- | ED6/A,ENT/A |
| | | | 1 | - | - | ----- | EDS,EDT,EDT/A |
| 4 | 31482-ZB4-003 | GROMMET, MAIN CORD | 1 | - | - | ----- | ED6 |
| | | | 1 | - | - | ----- | EDS,EDT,EDT/A |
| 5 | 31483-ZB4-003 | GROMMET, SWITCH CORD | 1 | - | - | ----- | ED6 |
| | | | 1 | - | - | ----- | EDS,EDT,EDT/A |
| 6 | 31700-124-008 | RECTIFIER ASSY., SILICON (SHINDENGEN) | 1 | - | - | ----- | ED6 |
| | | | 1 | - | - | ----- | EDS,EDS1,EDS1/A,EDS2,EDS2/A,EDS4,EDS6,EDS6/A,EDT,EDT/A,ENT,ENT/A |
| 7 | 31710-ZB4-003 | DIODE ASSY. | 1 | - | - | ----- | ENT2 |
| 8 | 31710-ZB7-A01 | DIODE ASSY. | 1 | - | - | ----- | EDS3 |
| 9 | 32130-ZE1-000 | COUPLER COMP. | 1 | - | - | ----- | EDS5 |
| | | | 1 | - | - | ----- | EDS,EDS1,EDS1/A,EDS2,EDS2/A,EDS4,EDS6,EDS6/A,EDT,EDT/A,ENT,ENT/A |
| 10 | 32343-892-003 | KNOB, COCK LEVER | 1 | - | - | ----- | ENT2 |
| | | | 1 | - | - | ----- | EDT1,EDT1/A,EDT2,EDT6,EDT6/A |
| | | | 1 | - | - | ----- | ED6 |
| 11 | 35100-ZB4-013 | SWITCH ASSY., COMBINATION ... | 1 | - | - | ----- | EDS,EDS1,EDS2,EDS2/A,EDS3,EDS6,EDS6/A,EDT,EDT/A,ENT,ENT/A,ENT2 |
| | | | 1 | - | - | ----- | ES4 |
| | 35100-ZA0-013 | | 1 | - | - | ----- | EDS1/A,EDS4,ES4/A,VS5,VS6 |
| | | | 1 | - | - | ----- | EDS5 |

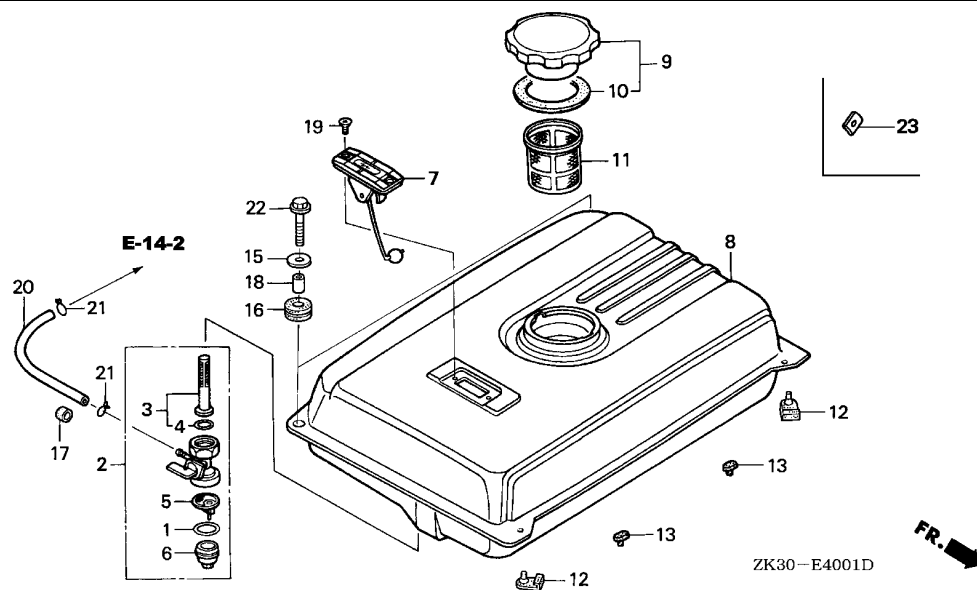




| Ref. No. | Part No. | Description | Reqd. QTY | | | Serial No. | Parts catalogue code |
|----------|---------------|-------------------------------|-----------|-------|-----|------------|--|
| | | | GX | 340K1 | (3) | | |
| 11) | 35100-ZB4-023 | SWITCH ASSY., COMBINATION ... | 1 | - | - | VS7 | |
| 12 | 35111-880-003 | KEY COMP. | 2 | - | - | 4074661 | EDS1/A,EDS4,ES4/A,VS5,VS6 |
| | | | 2 | - | - | 3792398 | EDS1,EDS2,EDS6,EDT,ENT,ES4 |
| | 35111-880-013 | | 2 | - | - | 3838382 | EDS1/A,EDS2/A,EDS6/A,EDT/A,ENT/A,ENT2,ES4/A |
| | | | 2 | - | - | | EDS,EDS3,EDS5 |
| | | | 2 | - | - | 3792399 | EDS4,VS5,VS6,VS7 |
| | | | 2 | - | - | 3838383 | EDS1/A,EDS2/A,EDS6/A,EDT/A,ENT/A,ENT2,ES4/A |
| 13 | 36106-892-003 | BUSH, CONTROL KNOB | 1 | - | - | | EDS,EDS3,EDS5 |
| | | | 1 | - | - | 2392334 | EDT1,EDT1/A,EDT2,EDT6,EDT6/A |
| 14 | 36110-ZB4-701 | SWITCH ASSY., ENGINE KILL ... | 1 | - | - | | ED6 |
| | | | 1 | - | - | 2392334 | EDT1,EDT2,EDT6,EDT6/A |
| | 36110-ZB4-702 | | 1 | - | - | 4080332 | ED6 |
| 15 | 38220-ZE1-000 | CASE COMP., FUSE | 1 | - | - | 4080333 | EDT1/A |
| | 38220-ZE2-R70 | | 1 | - | - | | EDS,EDS1,EDS1/A,EDS2,EDS2/A,EDS4,EDS6,EDS6/A,EDT,EDT/A |
| | | | 1 | - | - | | EDS3,ENT,ENT/A,ENT2 |
| 16 | 38240-VA3-900 | PROTECTOR, CIRCUIT (1.0A) ... | 1 | - | - | | EDS,EDS1,EDS1/A,EDS2,EDS2/A,EDS3,EDS4,EDS5,EDT,EDT/A,VXE7,VXE7/A |
| | 38240-ZE2-840 | PROTECTOR, CIRCUIT (3.5A) ... | 1 | - | - | | EDS6,EDS6/A,ENT,ENT/A |
| 17 | 38250-898-000 | LENS ASSY., PROTECTOR | 1 | - | - | | EDS,EDS1,EDS1/A,EDS2,EDS2/A,EDS3,EDS4,EDS5,EDS6,EDS6/A,EDT,EDT/A |
| | | | | | | | ENT,ENT/A |
| 18 | 90013-883-000 | BOLT, FLANGE, 6X12(CT200) ... | 1 | - | - | | ENT2,VTE2 |
| 19 | 90101-692-000 | SCREW, GLOVE BOX | 1 | - | - | | EDS,EDS1,EDS1/A,EDS2,EDS2/A,EDS3,EDS4,EDS6,EDS6/A,EDT,EDT/A,EDT1 |
| | | | 1 | - | - | 2160982 | EDT1/A,EDT2,EDT3,EDT6,EDT6/A,ENT,ENT/A |
| 20 | 90506-500-000 | WASHER, AIR DUCT | 3 | - | - | 2392334 | ED6 |
| | | | 3 | - | - | | EDS,EDT,EDT/A,ENT,ENT/A |
| | | | 3 | - | - | 2392334 | ED6 |

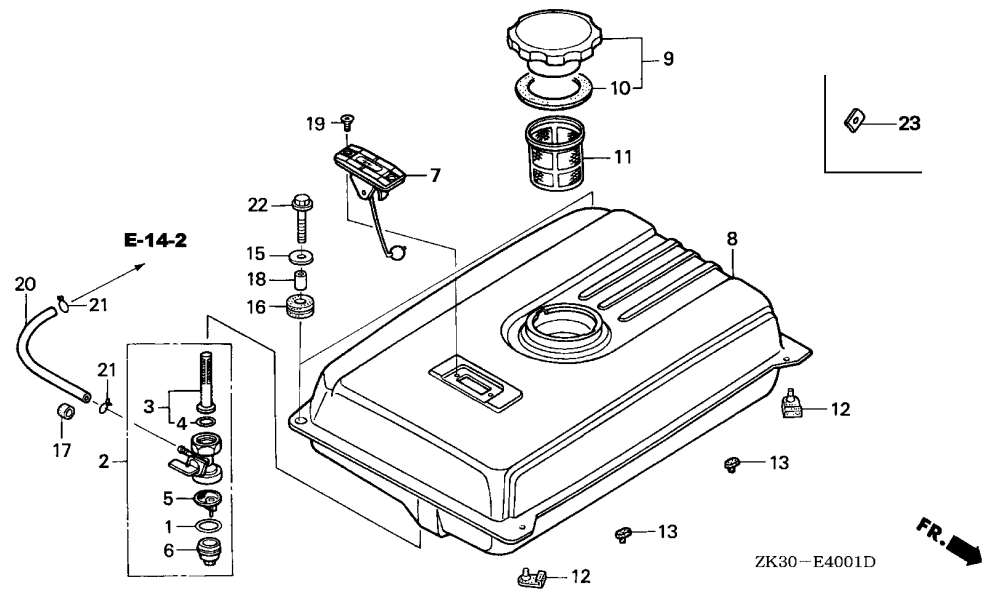


| Ref. No. | Part No. | Description | Reqd. QTY | | | Serial No. | Parts catalogue code |
|----------|----------------|-------------------------------|-----------|-----|-----|------------|--|
| | | | GX | (1) | (2) | | |
| 21 | 90852-898-000 | RUBBER, CONTROL BOX | 3 | - | - | ----- | EDS,EDT,EDT/A,ENT,ENT/A |
| 22 | 91406-ZB4-000 | TUBE, CORD | 1 | - | - | 2392334 | ED6 |
| 23 | 91552-898-000 | COLLAR, CONTROL BOX | 3 | - | - | ----- | EDS,EDT,EDT/A,ENT,ENT/A |
| 24 | 91601-ZB4-003 | GROMMET, TUBE | 1 | - | - | ----- | EDS,EDT,EDT/A,ENT,ENT/A |
| | | | 1 | - | - | 2392334 | ED6 |
| 25 | 95701-06018-00 | BOLT, FLANGE, 6X18 | 3 | - | - | ----- | ED6 |
| | 95701-06020-00 | BOLT, FLANGE, 6X20 | 3 | - | - | 2392334 | ED6 |
| | | | 3 | - | - | ----- | EDS,EDT,EDT/A,ENT,ENT/A |
| 26 | 95701-06040-08 | BOLT, FLANGE, 6X40 | 3 | - | - | ----- | EDS,EDT,EDT/A,ENT,ENT/A |
| | | | 3 | - | - | 2160982 | 2392334 |
| | | | 3 | - | - | ----- | ED6 |
| 27 | 95801-08020-18 | BOLT, FLANGE, 8X20 | 1 | - | - | ----- | ED6/A,EN6,EN6/A,VTE2 |
| | | | 1 | - | - | 2392335 | ----- |
| | | | 1 | - | - | ----- | ED6 |
| 28 | 98200-30500 | FUSE, BLADE (5A) | 1 | - | - | ----- | EDS,EDS1,EDS1/A,EDS2,EDS2/A,EDS4,EDS6,EDS6/A,EDT,EDT/A |
| | 98200-31000 | FUSE, BLADE (10A) | 1 | - | - | ----- | EDS3,ENT,ENT/A,ENT2 |
| 29 | 18333-ZE3-800 | GASKET, EX. PIPE | 1 | - | - | ----- | EDS4,EDS5,VS4,VS6 |
| 30 | 90855-ZB4-000 | GROMMET, CRANKCASE | 1 | - | - | ----- | EMT,EMT/A,VMQ,VMT,VMT/A |
| 31 | 38251-898-000 | LENS | 1 | - | - | ----- | EDS2,EDS2/A,EDS4,EDT,EDT/A,ENT,ENT/A |
| 32 | 38252-898-000 | CAP, LENS | 1 | - | - | ----- | EDS2,EDS2/A,EDS4,EDT,EDT/A,ENT,ENT/A |
| 33 | 38253-898-000 | SPRING, COIL | 1 | - | - | ----- | EDS2,EDS2/A,EDS4,EDT,EDT/A,ENT,ENT/A |
| 34 | 38254-898-000 | HOLDER, LENS | 1 | - | - | ----- | EDS2,EDS2/A,EDS4,EDT,EDT/A,ENT,ENT/A |
| 35 | 31620-762-003 | RECTIFIER COMP., REGULATOR .. | 1 | - | - | ----- | LWD |
| 36 | 35100-768-S01 | SWITCH ASSY., COMBINATION ... | 1 | - | - | ----- | LWD |
| 37 | 35110-766-003 | KEY ASSY., COMBINATION SWITCH | 2 | - | - | 3826797 | LWD |
| | 35110-736-612 | | 2 | - | - | 3826798 | LWD |



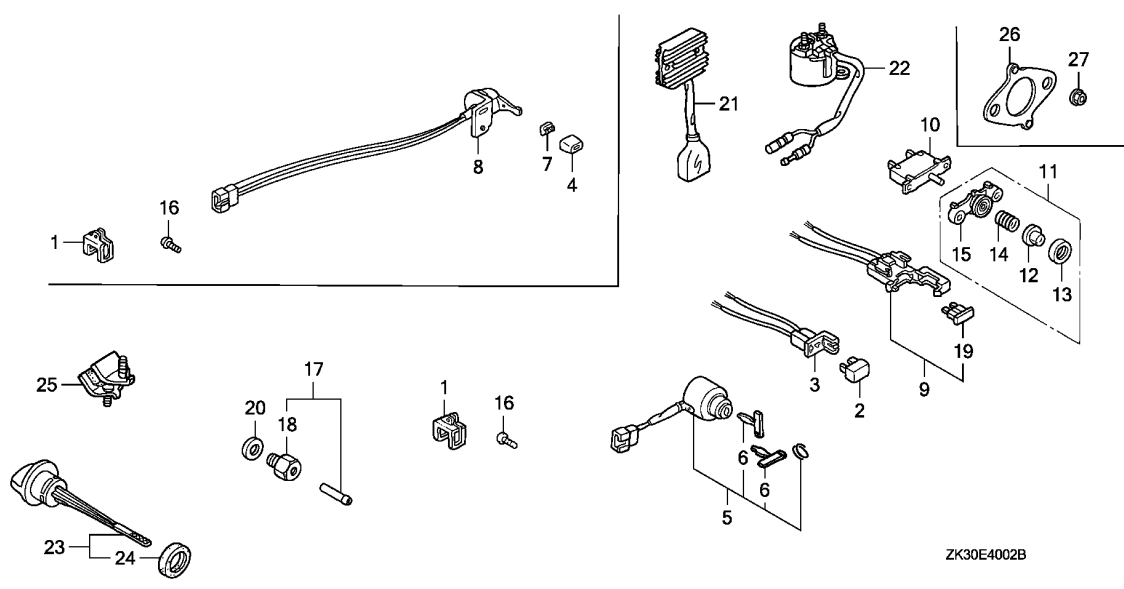
| Ref. No. | L.O.N. | (Relative ref. Number) Description | F.R.T. |
|----------|--------|------------------------------------|--------|
| 2 | 3101A3 | COCK, FUEL | 0.2 |
| 3 | 3101D5 | SCREEN, FUEL STRAINER | 0.2 |
| 5 | | (1) | |
| | 3101A7 | FILTER, FUEL TANK CUP | 0.2 |
| 7 | 6171A1 | METER/GAUGE UNIT, FUEL | 0.1 |
| 8 | 3101D0 | TANK, FUEL(A) | 0.3 |
| 11 | 3101A6 | FILTER, FUEL | 0.1 |
| 20 | 3101F2 | TUBE, FUEL COCK | 0.2 |

| Ref. No. | Part No. | Description | Reqd. QTY | | | Serial No. | Parts catalogue code |
|----------|-----------------|--------------------------------|-----------|-----|---------|---|----------------------|
| | | | GX | (1) | (2) | | |
| 1 | 16173-001-004 | PACKING, FUEL STRAINER CUP .. | 1 | - | - | EDK,EDS4,EDT,EDT/A,EDT3,ENT,ENT/A,ES2,VS2,VS3,VS4,VS5,VS6,VS7,VXK | |
| 2 | 16950-ZB4-015 | COCK ASSY., FUEL | 1 | - | - | EDS4,EDT,EDT/A,EDT3,ENT,ENT/A,VS2,VS3,VS4,VS5,VS6,VS7 | |
| 3 | 16952-ZB4-005 | SCREEN, FUEL STRAINER | 1 | - | - | EDS4,EDT,EDT/A,EDT3,ENT,ENT/A,VS2,VS3,VS4,VS5,VS6,VS7 | |
| 4 | 16958-397-771 | O-RING | 1 | - | - | EDS4,EDT,EDT/A,EDT3,ENT,ENT/A,VS2,VS3,VS4,VS5,VS6,VS7 | |
| 5 | 16959-471-831 | FILTER, CUP | 1 | - | - | EDS4,EDT,EDT/A,EDT3,ENT,ENT/A,VS2,VS3,VS4,VS5,VS6,VS7 | |
| 6 | 16967-GA6-671 | CUP, FUEL STRAINER | 1 | - | - | EDS4,EDT,EDT/A,EDT3,ENT,ENT/A,VS2,VS3,VS4,VS5,VS6,VS7 | |
| 7 | 17505-ZB2-003 | METER ASSY., FUEL | 1 | - | - | EDT,EDT/A,ENT,ENT/A,VS2,VS3,VS4,VS5,VS6,VS7 | |
| 8 | 17510-ZB4-000ZA | TANK COMP., FUEL | 1 | - | - | ENT,ENT/A | |
| | 17510-ZB4-000ZB | *NH31*.....MCKINLEY WHITE | 1 | - | - | ENT | |
| | | *R8*.....BRIGHT RED | 1 | - | 3724082 | ENT/A | |
| | 17510-ZB4-000ZC | *NH1*.....BLACK | 1 | - | - | ENT,ENT/A | |
| | 17510-ZB4-000ZE | *T68*.....TSURUMI BLUE | 1 | - | - | EDT,EDT/A | |
| | 17510-ZB4-000ZF | *Y131*.....LIGHTNING YELLOW | 1 | - | - | ENT,ENT/A | |
| | 17510-ZB4-000ZH | *R280*.....POWER RED | 1 | - | 3724083 | ENT/A | |
| 9 | 17620-899-013 | CAP COMP., FUEL FILLER | 1 | - | - | EDT,EDT/A,ENT,ENT/A,VS2,VS3,VS4,VS5,VS6,VS7 | |
| 10 | 17631-899-000 | PACKING, FUEL FILLER CAP | 1 | - | - | EDT,EDT/A,ENT,ENT/A,VS2,VS3,VS4,VS5,VS6,VS7 | |
| 11 | 17670-899-000 | FILTER COMP., FUEL | 1 | - | - | EDT,EDT/A,ENT,ENT/A,VS2,VS3,VS4,VS5,VS6,VS7 | |
| 12 | 50319-ZB2-000 | RUBBER, TANK MOUNTING | 2 | - | - | EDS4,EDT,EDT/A,EDT3,ENT,ENT/A | |
| 13 | 76122-952-000 | STOPPER, DISCHARGE GUARD | 2 | - | - | EDT,EDT/A,ENT,ENT/A | |
| | | | 4 | - | - | VS2,VS3,VS4,VS5,VS6,VS7 | |
| 15 | 90503-898-000 | WASHER, TANK CUSHION | 2 | - | - | EDT,EDT/A,ENT,ENT/A | |
| | | | 4 | - | - | VS2,VS3,VS4,VS5,VS6,VS7 | |
| 16 | 90851-898-000 | RUBBER, TANK CUSHION | 2 | - | - | EDT,EDT/A,ENT,ENT/A | |
| | | | 4 | - | - | VS2,VS3,VS4,VS5,VS6,VS7 | |
| 17 | 90854-ZB2-000 | RUBBER, FUEL (9X15X10) | 1 | - | - | EDT,EDT/A,EDT3,ENT,ENT/A,VS3,VS5 | |



| Ref. No. | Part No. | Description | Reqd. QTY | | | Serial No. | Parts catalogue code |
|----------|----------------|--|-----------|-------|-----|------------|----------------------------------|
| | | | GX | 340K1 | | | |
| | | | (1) | (2) | (3) | | |
| 18 | 91551-898-000 | COLLAR, TANK CUSHION | 2 | - | - | ----- | EDT,EDT/A,ENT,ENT/A |
| 19 | 93600-05010-0A | SCREW, FLAT, 5X10 | 4 | - | - | ----- | VS2,VS3,VS4,VS5,VS6,VS7 |
| 20 | 95001-45150-40 | TUBE, FUEL, 4.5X150 (95001-45001-60M) | 1 | - | - | ----- | EDT,EDT/A,ENT,VS3,VS5 |
| | 95001-45165 | TUBE, FUEL, 4.5X165 (95001-45001-60M) | 1 | - | - | 3659636 | ENT/A |
| | 95001-45190-40 | TUBE, FUEL, 4.5X190 (95001-45001-60M) | 1 | - | - | 3659637 | ENT/A |
| 21 | 95002-02080 | CLIP, TUBE (B8) | 2 | - | - | ----- | EDT,EDT/A,EDT3,ENT,ENT/A,VS3,VS5 |
| 22 | 95701-06022-00 | BOLT, FLANGE, 6X22 | 2 | - | - | ----- | EDT,EDT/A,ENT,ENT/A |
| 23 | 90501-898-000 | WASHER, FRAME JOINT | 8 | - | - | ----- | VS5,VS6,VS7 |



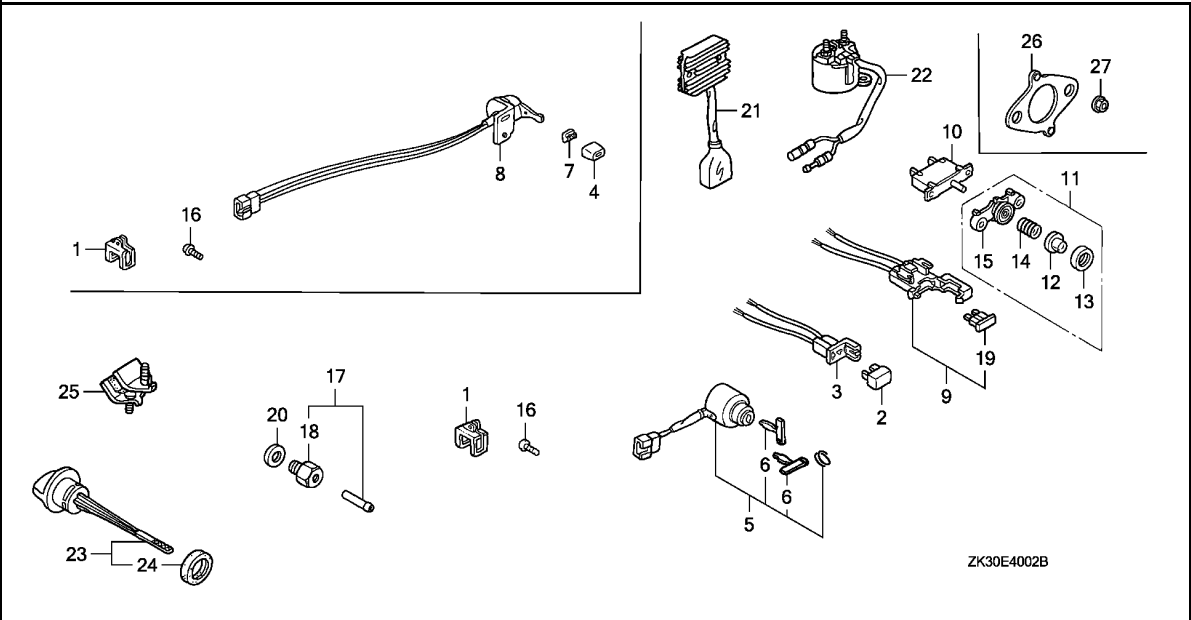


Ref. (Relative ref. Number)
No. L.O.N. Description F.R.T.

NO INFORMATION

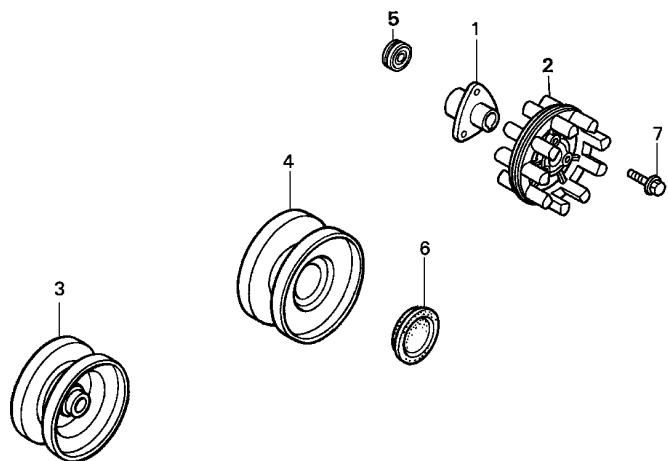
ZK30E4002B

| Ref. No. | Part No. | Description | Reqd. QTY | | | Serial No. | Parts catalogue code |
|----------|---------------|---------------------------------------|-----------|-------|-----|------------|------------------------------|
| | | | GX | 340K1 | (3) | | |
| 1 | 30561-ZB4-000 | CLIP, WIRE | 1 | - | - | ----- | EDS1,EDS1/A,EDT1,EDT1/A,EDT3 |
| 2 | 31700-124-008 | RECTIFIER ASSY., SILICON (SHINDENGEN) | 1 | - | - | ----- | EDS1,EDS1/A,VWE |
| 3 | 32130-ZE1-000 | COUPLER COMP. | 1 | - | - | ----- | EDS1,EDS1/A |
| 4 | 32343-892-003 | KNOB, COCK LEVER | 1 | - | - | ----- | EDT1,EDT1/A,EDT3 |
| 5 | 35100-ZB4-013 | SWITCH ASSY., COMBINATION | 1 | - | - | ----- | EDS1,EDS1/A |
| | 35100-766-013 | | 1 | - | - | ----- | LWD1,LWD1/A |
| 6 | 35111-880-003 | KEY COMP. | 2 | - | - | ----- | EDS1 |
| | | | 2 | - | - | 3792398 | EDS1/A |
| | 35110-766-003 | KEY ASSY., COMBINATION SWITCH | 2 | - | - | ----- | LWD1 |
| | | | 2 | - | - | 3826797 | LWD1/A |
| | 35111-880-013 | KEY COMP. | 2 | - | - | 3792399 | EDS1/A |
| | 35110-736-612 | KEY ASSY., COMBINATION SWITCH | 2 | - | - | 3826798 | LWD1/A |
| 7 | 36106-892-003 | BUSH, CONTROL KNOB | 1 | - | - | ----- | EDT1,EDT1/A,EDT3 |
| 8 | 36110-ZB4-701 | SWITCH ASSY., ENGINE KILL ... | 1 | - | - | ----- | EDT1 |
| | | | 1 | - | - | 4080332 | EDT1/A |
| | 36110-ZB4-702 | | 1 | - | - | ----- | EDT3 |
| | | | 1 | - | - | 4080333 | EDT1/A |
| 9 | 38220-ZE1-000 | CASE COMP., FUSE | 1 | - | - | ----- | EDS1,EDS1/A |
| 10 | 38240-VA3-900 | PROTECTOR, CIRCUIT (1.0A) ... | 1 | - | - | ----- | EDS1,EDS1/A |
| 11 | 38250-898-000 | LENS ASSY., PROTECTOR | 1 | - | - | ----- | EDS1,EDS1/A |
| 12 | 38251-898-000 | LENS | 1 | - | - | ----- | EDS1,EDS1/A |
| 13 | 38252-898-000 | CAP, LENS | 1 | - | - | ----- | EDS1,EDS1/A |
| 14 | 38253-898-000 | SPRING, COIL | 1 | - | - | ----- | EDS1,EDS1/A |
| 15 | 38254-898-000 | HOLDER, LENS | 1 | - | - | ----- | EDS1,EDS1/A |
| 16 | 90101-692-000 | SCREW, GLOVE BOX | 1 | - | - | ----- | EDS1,EDS1/A,EDT1,EDT1/A,EDT3 |



| Ref. No. | Part No. | Description | Reqd. QTY | | | Serial No. | Parts catalogue code |
|----------|---------------|--------------------------------|-----------|-------|-----|------------|-----------------------|
| | | | GX | 340K1 | | | |
| | | | (1) | (2) | (3) | | |
| 17 | 90131-ZE3-790 | PLUG, OIL DRAIN | 2 | - | - | ----- | SKE,SKE/A,SKZ/A |
| 18 | 92800-12000 | BOLT, DRAIN PLUG, 12MM | 2 | - | - | 2673112 | ----- SKZ |
| 19 | 98200-30500 | FUSE, BLADE (5A) | 1 | - | - | ----- | ----- EDS1,EDS1/A |
| 20 | 94109-12000 | WASHER, DRAIN PLUG, 12MM | 2 | - | - | ----- | ----- SKE,SKE/A,SKZ/A |
| | | | 2 | - | - | 2673112 | ----- SKZ |
| 21 | 31750-769-751 | RECTIFIER ASSY., REGULATOR .. | 1 | - | - | ----- | ----- LWD1,LWD1/A |
| 22 | 35850-766-003 | SWITCH ASSY., STARTER MAGNETIC | 1 | - | - | ----- | ----- LWD1,LWD1/A |
| 23 | 15600-ZE3-791 | CAP ASSY., OIL FILLER | 1 | - | - | ----- | ----- STJ,STJ/A |
| 24 | 15625-ZE8-000 | PACKING, OIL FILLER CAP | 1 | - | - | ----- | ----- STJ,STJ/A |
| 25 | 68325-899-000 | RUBBER, BOTTOM | 2 | - | - | ----- | ----- VS4,VS6 |
| | | | 4 | - | - | ----- | ----- STR,STR/A |
| 26 | 18333-ZF6-W01 | GASKET, EX. PIPE | 1 | - | - | ----- | ----- VVC,VVE |
| 27 | 94050-08000 | NUT, FLANGE, 8MM | 2 | - | - | ----- | ----- VVC,VVE |



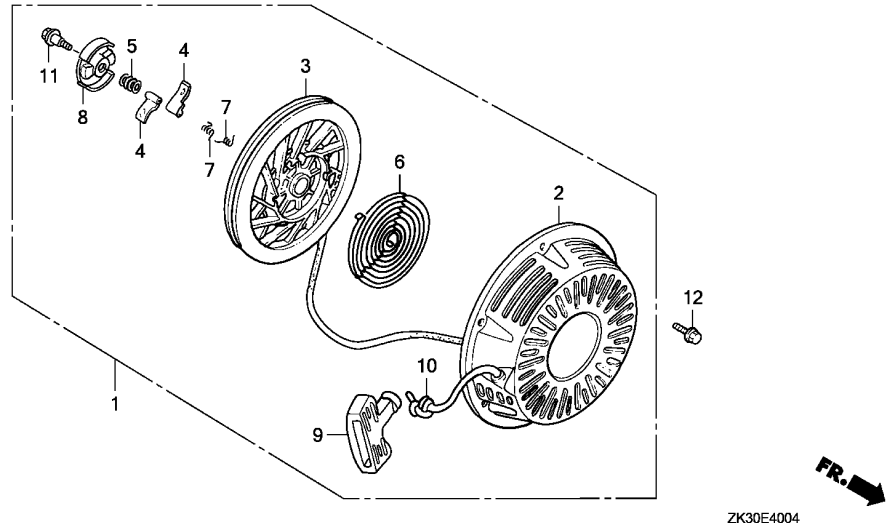


ZK30-E4003A

Ref. (Relative ref. Number)
No. L.O.N. Description F.R.T.

NO INFORMATION

| Ref. No. | Part No. | Description | Reqd. QTY | | | Serial No. | Parts catalogue code |
|----------|----------------|-----------------------------|-----------|-------|-----|------------|----------------------|
| | | | GX | 340K1 | | | |
| | | | (1) | (2) | (3) | | |
| 1 | 42703-740-000 | HUB, CRAWLER SPROCKET | 2 | - | - | ----- | LJS1 |
| 2 | 42756-740-C00 | WHEEL, DRIVE SPROCKET | 2 | - | - | ----- | LJS1 |
| 3 | 42757-740-C00 | WHEEL, DRIVEN | 2 | - | - | ----- | LJS1 |
| 4 | 42758-740-010 | WHEEL, INDUCTION | 4 | - | - | ----- | LJS1 |
| 5 | 91256-740-003 | OIL SEAL, 24X47X15 | 6 | - | - | ----- | LJS1 |
| 6 | 91261-740-003 | PLUG, SEAL, 47X10 | 6 | - | - | ----- | LJS1 |
| 7 | 95701-10032-00 | BOLT, FLANGE, 10X32 | 6 | - | - | ----- | LJS1 |

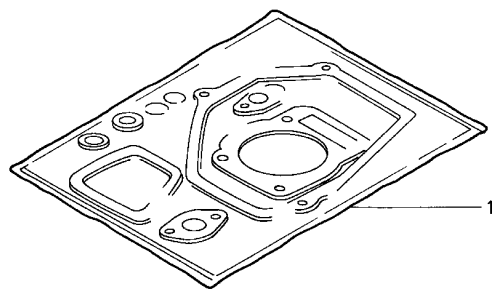


ZK30E4004

| Ref. No. | L.O.N. | (Relative ref. Number) Description | F.R.T. |
|--------------------------------|--------|---|--------|
| 1 | 1121B9 | STARTER, RECOIL | 0.1 |
| 3 | 1121B1 | REEL, RECOIL STARTER | 0.3 |
| 4 | 1121B0 | RATCHET, STARTER AND/OR SPRING, RATCHET | 0.2 |
| .NOTE: Same time for two units | | | |
| 6 | 1121B7 | SPRING, RECOIL STARTER RETURN (5) | 0.3 |
| 8 | 1121B2 | RETAINER, SPRING | 0.2 |
| 10 | 1121B3 | ROPE, RECOIL STARTER | 0.3 |

| Ref. No. | Part No. | Description | Reqd. QTY | | | Serial No. | Parts catalogue code |
|----------|-----------------|-------------------------------|-----------|-----|-----|------------|-----------------------------|
| | | | GX | (1) | (2) | | |
| 1 | 28400-ZE3-W01ZH | STARTER ASSY., RECOIL | 1 | - | - | - | VS2,VS3,VS4,VS5,VS6,VS7 |
| | | *NH105*...MAT BLACK (#15-#20) | 1 | - | - | - | ES2 |
| | 28400-ZE3-W01ZL | *Y131*...LIGHTNING YELLOW | 1 | - | - | - | ES2 |
| | 28400-ZE3-W01ZM | *T77*...SEC WINE RED | 1 | - | - | - | ES2 |
| | 28400-ZE3-W01ZP | *R280*...POWER RED | 1 | - | - | - | ES2 |
| 2 | 28410-ZE3-W01ZH | CASE COMP., RECOIL STARTER | 1 | - | - | - | VS2,VS3,VS4,VS5,VS6,VS7 |
| | | *NH105*...MAT BLACK (#15-#20) | 1 | - | - | - | ES2 |
| | 28410-ZE3-W01ZL | *Y131*...LIGHTNING YELLOW | 1 | - | - | - | ES2 |
| | 28410-ZE3-W01ZM | *T77*...SEC WINE RED | 1 | - | - | - | ES2 |
| | 28410-ZE3-W01ZP | *R280*...POWER RED | 1 | - | - | - | ES2 |
| 3 | 28421-ZE3-W01 | PULLEY, RECOIL STARTER | 1 | - | - | - | ES2,VS2,VS3,VS4,VS5,VS6,VS7 |
| 4 | 28422-ZE2-W01 | RATCHET, STARTER | 2 | - | - | - | ES2,VS2,VS3,VS4,VS5,VS6,VS7 |
| 5 | 28441-ZE2-W01 | SPRING, FRICTION | 1 | - | - | - | ES2,VS2,VS3,VS4,VS5,VS6,VS7 |
| 6 | 28442-ZE2-W01 | SPRING, STARTER RETURN | 1 | - | - | - | ES2,VS2,VS3,VS4,VS5,VS6,VS7 |
| 7 | 28443-ZE2-W01 | SPRING, RATCHET | 2 | - | - | - | ES2,VS2,VS3,VS4,VS5,VS6,VS7 |
| 8 | 28444-ZE2-W01 | RETAINER, SPRING | 1 | - | - | - | ES2,VS2,VS3,VS4,VS5,VS6,VS7 |
| 9 | 28461-ZE2-W02 | GRIP, STARTER | 1 | - | - | - | ES2,VS2,VS3,VS4,VS5,VS6,VS7 |
| 10 | 28462-ZE3-W01 | ROPE, RECOIL STARTER | 1 | - | - | - | ES2,VS2,VS3,VS4,VS5,VS6,VS7 |
| 11 | 90004-ZE2-W01 | SCREW, CENTER | 1 | - | - | - | ES2,VS2,VS3,VS4,VS5,VS6,VS7 |
| 12 | 90008-ZE2-003 | BOLT, FLANGE, 6X10 | 3 | - | - | - | ES2,VS2,VS3,VS4,VS5,VS6,VS7 |





HENG-X0003

Ref. L.O.N. (Relative ref. Number) F.R.T.
No. Description

NO INFORMATION

| Ref. No. | Part No. | Description | Reqd. QTY | | | Serial No. | Parts catalogue code |
|----------|---------------|------------------|-----------|-----|-----|------------|--|
| | | | (1) | (2) | (3) | | |
| 1 | 061A1-ZE3-G00 | GASKET KIT | 1 | - | - | ----- | QNE9,QNE9/A |
| | 061A1-ZE3-G50 | | 1 | - | - | ----- | QAQ |
| | 061A1-ZE3-G80 | | 1 | - | - | ----- | HAQ |
| | 061A1-ZE3-851 | | 1 | - | - | ----- | 2582468 STR |
| | 061B1-ZE3-010 | | 1 | 1 | - | ----- | 3032023 LHB3,SHB3 |
| | | | 1 | - | - | ----- | 2179883 BJ,LJ,L1,P1,Q1,SJ,STJ,STP,STQ,S1,V1,YJ |
| | | | 1 | - | - | ----- | EDN,EDS,EDS3,EDS5,EN,ES,ET,ETS,ETX,HA,HH,HX,LHC,LP,LXZ,QA,QAE,QAP |
| | | | 1 | - | - | ----- | QAPE,QHC,QNE,QXEB,SHEZ,SHT,SXP,VA,VAA,VAAE,VAH1,VAH2,VDE,VE,VHE |
| | | | 1 | - | - | ----- | VNG,VNG1,VNG2,VWA,VXA,VXG |
| | | | 1 | - | - | ----- | 3032023 ED7,ED8,ES1,LH,LHE,LHQ4,LKE,LX,LXE,LXE4,LXE8,LXQ4,LXU,PX,QE,QH |
| | | | 1 | - | - | ----- | QHB3,QHE,QHQ4,QMEO,QX,QXB,QXC,QXE,QXE4,QXE8,QXQ4,QXU,SE,SH,SHE |
| | | | 1 | - | - | ----- | SHQ4,SME0,SX,SXB,SXE,SXEB,SXE4,SXE8,SXQ4,SXU,VH,VX,VXB,VXE,VXEB |
| | | | 1 | - | - | ----- | VXE4,VXE8,VXQ4,VXU,VXU1,VX8 |
| | | | 1 | - | - | ----- | 3129573 PKX4 |
| | | | 1 | - | - | ----- | 3279758 EDS1,EDT1,ED6,ED9,ES3,ES4,PKT4,PXE8,QME8,QP,QT,QXC4,SWX |
| | 061C1-ZE3-820 | | 1 | - | - | ----- | VXB2 |
| | 06111-ZK3-U60 | | 1 | - | - | ----- | 2563594 QMX2 |
| | | | 1 | - | - | ----- | 2563594 3279758 QAH2,VWC2,VWS2 |
| | 06111-ZK3-U61 | | 1 | - | - | ----- | QAH2/A,VWC2/A,VWS2/A |
| | | | 1 | - | - | ----- | 3279759 QAH2,VWC2,VWS2 |
| | 06111-ZK3-W00 | | 1 | - | - | ----- | EDT2 |
| | | | 1 | - | - | ----- | 3279758 EDS2 |
| | 06111-ZK3-W01 | | 1 | - | - | ----- | EDS2/A,EDT,EDT/A,ENT,ENT/A,ENT2,VC2,VC2/A |
| | | | 1 | - | - | ----- | 3279759 EDS2 |

PART NO. INDEX

| Part Number | Address | Page | Ref. | Part Number | Address | Page | Ref. | Part Number | Address | Page | Ref. | Part Number | Address | Page | Ref. | Part Number | Address | Page | Ref. |
|---------------|---------|------|------|---------------|---------|------|------|---------------|---------|------|------|---------------|---------|------|------|---------------|---------|------|------|
| 87528-898-620 | 2-I12 | 330 | 7 | 87532-ZH8-810 | 2-I9 | 327 | 18 | | | | | | | | | | | | |
| | 2-I14 | 332 | 5 | | 2-I10 | 328 | 26 | 89001-ZF1-000 | 2-J8 | 342 | 3 | | 2-G13 | 299 | 22 | | | | |
| | 2-J1 | 335 | 16 | | 2-I14 | 332 | 6 | | 2-J4 | 338 | 3 | | 2-H1 | 303 | 14 | | | | |
| | 2-J2 | 336 | 4 | | 2-I15 | 333 | 9 | 89011-192-700 | 2-J6 | 340 | 4 | | 2-H3 | 305 | 15 | 90203-ZA0-800 | N11 | 201 | 11 |
| 87528-ZE1-690 | 2-I8 | 326 | 11 | | 2-J1 | 335 | 8 | 89102-538-000 | 2-J4 | 338 | 4 | | 2-H5 | 307 | 15 | | N15 | 205 | 9 |
| 87528-ZE2-000 | 2-I12 | 330 | 6 | | 2-J2 | 336 | 5 | 89103-538-000 | 2-J4 | 338 | 5 | | 2-H7 | 309 | 15 | | 2-B1 | 207 | 15 |
| 87528-ZE2-810 | 2-I8 | 326 | 11 | 87532-ZH8-W40 | 2-I9 | 327 | 17 | 89210-ZF1-000 | 2-J4 | 338 | 6 | | 2-H13 | 315 | 15 | | 2-B2 | 208 | 11 |
| | 2-I12 | 330 | 6 | | 2-I9 | 327 | 17 | 89216-KB7-000 | 2-J7 | 341 | 21 | | 2-J8 | 342 | 7 | 90206-ZE1-000 | I9 | 119 | 16 |
| | 2-I14 | 332 | 4 | | 2-I15 | 333 | 17 | 89216-ZB4-000 | 2-J4 | 338 | 7 | | 2-J10 | 344 | 18 | 90302-KF9-900 | 2-B11 | 217 | 19 |
| | 2-I15 | 333 | 16 | | 2-J1 | 335 | 14 | | 2-J6 | 340 | 5 | 90014-ZE2-000 | E6 | 52 | 11 | | 2-C5 | 227 | 25 |
| | 2-I16 | 334 | 4 | 87533-ZB6-750 | 2-I9 | 327 | 19 | | 2-J7 | 341 | 5 | 90014-ZE6-000 | 2-E6 | 260 | 17 | 90325-044-000 | N12 | 202 | 12 |
| | 2-J2 | 336 | 4 | 87533-ZC0-630 | 2-I9 | 327 | 19 | 89216-ZF1-000 | 2-J8 | 342 | 4 | | 2-E9 | 263 | 15 | | N13 | 203 | 12 |
| 87528-ZF6-W40 | 2-I8 | 326 | 11 | | 2-I11 | 329 | 32 | 89218-ZE1-000 | 2-J4 | 338 | 8 | 90015-883-000 | 2-E11 | 265 | 18 | | N15 | 205 | 10 |
| 87528-ZH7-000 | 2-I14 | 332 | 4 | | 2-I13 | 331 | 12 | | 2-J1 | 335 | 11 | | 2-E7 | 261 | 18 | | 2-B1 | 207 | 16 |
| | 2-I16 | 334 | 4 | | 2-I14 | 332 | 7 | | 2-J4 | 338 | 9 | | 2-E9 | 263 | 16 | | 2-B2 | 208 | 12 |
| | 2-J2 | 336 | 4 | | 2-J1 | 335 | 17 | | 2-J7 | 341 | 6 | | 2-E11 | 265 | 20 | | 2-B6 | 212 | 11 |
| 87529-ZE2-010 | 2-H1 | 303 | 13 | | 2-J3 | 337 | 13 | 89219-805-000 | 2-J8 | 342 | 5 | 90015-ZE5-010 | 2-F14 | 284 | 24 | | 2-B8 | 214 | 11 |
| | 2-H3 | 305 | 14 | 87534-ZE1-841 | 2-I9 | 327 | 20 | | 2-J5 | 339 | 10 | | 2-G4 | 290 | 26 | 90380-MA6-010 | 2-G13 | 299 | 23 |
| 87529-ZE2-020 | 2-H1 | 303 | 13 | | 2-I15 | 333 | 14 | | 2-J7 | 341 | 7 | | 2-G6 | 292 | 10 | | 2-H1 | 303 | 15 |
| | 2-H3 | 305 | 14 | | 2-J1 | 335 | 9 | 89220-ZE2-000 | 2-J8 | 342 | 6 | 90016-ZG9-N30 | 2-F15 | 285 | 25 | | 2-H3 | 305 | 16 |
| 87529-ZE2-811 | 2-G13 | 299 | 21 | | 2-J2 | 336 | 7 | 89220-ZE3-L60 | 2-J5 | 339 | 11 | 90019-883-000 | H2 | 96 | 20 | | 2-H5 | 307 | 16 |
| | 2-H5 | 307 | 14 | 87535-ZE1-840 | 2-I9 | 327 | 21 | | 2-J7 | 341 | 8 | 90042-ZB7-000 | E7 | 53 | 12 | | 2-H7 | 309 | 16 |
| | 2-H7 | 309 | 14 | | 2-I15 | 333 | 15 | 90000 | | | | 90042-ZE2-700 | E6 | 52 | 12 | | 2-H9 | 311 | 12 |
| 87529-ZE2-812 | 2-G13 | 299 | 21 | | 2-J1 | 335 | 10 | | | | | 90042-ZE3-700 | E7 | 53 | 12 | | 2-H13 | 315 | 16 |
| | 2-H5 | 307 | 14 | 87535-ZE1-841 | 2-J2 | 336 | 6 | 90001-ZE8-000 | I5 | 115 | 5 | 90042-ZE8-000 | E6 | 52 | 12 | 90431-ZE2-700 | M10 | 184 | 33 |
| | 2-H7 | 309 | 14 | | 2-I9 | 327 | 21 | 90002-ZE2-U91 | 2-C11 | 233 | 9 | 90047-ZE2-000 | E7 | 53 | 13 | 90432-ZE2-700 | M10 | 184 | 34 |
| 87529-ZE2-821 | 2-H3 | 305 | 14 | | 2-I15 | 333 | 15 | 90003-ZE3-600 | H5 | 99 | 9 | 90047-ZE3-791 | E7 | 53 | 13 | 90433-ZE2-700 | M10 | 184 | 35 |
| 87529-ZE2-831 | 2-G13 | 299 | 21 | | 2-J1 | 335 | 10 | 90004-ZE2-W01 | J7 | 133 | 13 | 90050-ZE1-000 | 2-B10 | 216 | 15 | 90434-ZE2-700 | M10 | 184 | 36 |
| | 2-H5 | 307 | 14 | | 2-J2 | 336 | 6 | | 2-K1 | 351 | 11 | | 2-B11 | 217 | 18 | 90441-ZE2-010 | E7 | 53 | 14 |
| 87529-ZE2-860 | 2-G13 | 299 | 21 | 87539-898-620 | 2-I10 | 328 | 23 | 90006-ZE2-000 | 2-B11 | 217 | 22 | | 2-C3 | 225 | 20 | 90446-KE1-000 | F6 | 68 | 9 |
| | 2-H9 | 311 | 11 | | 2-I11 | 329 | 33 | 90007-ZE2-003 | 2-F1 | 271 | 19 | | 2-C4 | 226 | 22 | 90471-ZE3-000 | H5 | 99 | 10 |
| | 2-H13 | 315 | 14 | | 2-I13 | 331 | 15 | 90008-ZE2-003 | J8 | 134 | 14 | | 2-C9 | 231 | 9 | | 2-I2 | 320 | 9 |
| 87529-ZE2-861 | 2-G13 | 299 | 21 | | 2-I14 | 332 | 8 | 90009-ZE2-003 | 2-K1 | 351 | 12 | 90050-ZE3-H00 | 2-C9 | 231 | 15 | 90473-147-000 | G7 | 85 | 18 |
| | 2-H9 | 311 | 11 | 87539-ZB2-630 | 2-I9 | 327 | 22 | | N13 | 203 | 13 | 90050-ZH8-W40 | 2-B11 | 217 | 16 | | G15 | 93 | 18 |
| | 2-H13 | 315 | 14 | 87565-ZB4-A00 | 2-I10 | 328 | 24 | | N15 | 205 | 11 | | 2-C4 | 226 | 23 | 90473-842-000 | 2-I4 | 322 | 6 |
| 87529-ZE2-870 | 2-G13 | 299 | 21 | | 2-I13 | 331 | 16 | | 2-B1 | 207 | 17 | 90055-ZE1-000 | 2-B11 | 217 | 17 | 90473-ZE3-010 | 2-I2 | 320 | 8 |
| | 2-H13 | 315 | 14 | | 2-I15 | 333 | 13 | 90011-883-630 | 2-B2 | 208 | 13 | | | | 18 | 90501-898-000 | 2-J13 | 347 | 23 |
| 87529-ZH8-W40 | 2-G13 | 299 | 21 | | 2-I13 | 331 | 16 | | G7 | 85 | 17 | | 2-C4 | 226 | 24 | 90503-898-000 | 2-D10 | 248 | 14 |
| 87529-ZH8-W41 | 2-G13 | 299 | 21 | 87565-ZE2-000 | 2-I13 | 331 | 16 | | G15 | 93 | 17 | | 2-C9 | 231 | 13 | | 2-J12 | 346 | 15 |
| 87529-ZH9-W40 | 2-G13 | 299 | 21 | 87565-ZE2-810 | 2-I10 | 328 | 25 | 90012-888-000 | 2-E5 | 259 | 14 | 90101-692-000 | 2-J10 | 344 | 19 | 90506-500-000 | 2-D12 | 250 | 13 |
| 87529-ZH9-W41 | 2-G13 | 299 | 21 | 87565-ZE2-A01 | 2-I10 | 328 | 25 | | 2-E6 | 260 | 17 | | 2-J14 | 348 | 16 | | 2-J10 | 344 | 20 |
| 87530-ZE3-W00 | 2-I12 | 330 | 8 | 87586-ZH7-W00 | 2-I10 | 328 | 26 | | 2-E9 | 263 | 12 | 90107-959-003 | 2-I2 | 320 | 7 | 90534-706-010 | H5 | 99 | 11 |
| 87530-ZE3-W01 | 2-I13 | 331 | 8 | | 2-J1 | 335 | 13 | | | | | 90110-ZE2-003 | 2-F1 | 271 | 16 | | 2-I2 | 320 | 9 |
| 87530-ZE3-W10 | 2-I9 | 327 | 14 | 87594-ZB4-A00 | 2-I10 | 328 | 27 | | | | | 90114-SA0-000 | 2-F15 | 285 | 26 | 90601-ZE3-000 | I5 | 115 | 6 |
| | 2-J1 | 335 | 5 | | 2-I13 | 331 | 8 | 90012-KM9-000 | 2-E11 | 265 | 16 | | 2-G4 | 290 | 27 | 90602-ZE1-000 | G8 | 86 | 19 |
| 87530-ZE3-W40 | 2-I13 | 331 | 8 | | 2-I14 | 332 | 9 | 90012-ZE0-010 | E7 | 53 | 13 | | 2-G4 | 290 | 28 | | G15 | 93 | 19 |
| 87530-ZE3-W41 | 2-I13 | 331 | 8 | | 2-J1 | 335 | 19 | 90013-883-000 | I9 | 119 | 15 | | F5 | 67 | 8 | | H1 | 95 | 11 |
| 87532-ZB4-G60 | 2-I9 | 327 | 15 | | 2-J3 | 337 | 10 | | F13 | 75 | 22 | 90131-ZE3-790 | F13 | 75 | 23 | 90603-ZV4-000 | 2-D6 | 244 | 17 |
| | 2-I13 | 331 | 10 | | | | | | J16 | 142 | 13 | | 2-J15 | 349 | 17 | 90605-230-000 | L9 | 167 | 31 |
| | 2-I14 | 332 | 6 | 88000 | | | | | K1 | 143 | 23 | 90142-MB0-000 | 2-B1 | 207 | 13 | | M5 | 179 | 26 |
| | 2-J1 | 335 | 6 | | | | | | K2 | 144 | 8 | 90201-415-000 | N11 | 201 | 10 | | N1 | 191 | 18 |
| 87532-ZB4-H50 | 2-J2 | 336 | 5 | 88911-MJ3-000 | M9 | 183 | 32 | | 2-C3 | 225 | 19 | | N15 | 205 | 8 | | N3 | 193 | 30 |
| | 2-I9 | 327 | 15 | | 2-B4 | 210 | 13 | | 2-E6 | 260 | 16 | | 2-B1 | 207 | 14 | | 2-F15 | 285 | 27 |
| | 2-I14 | 332 | 6 | | | | | | 2-E9 | 263 | 14 | | 2-B2 | 208 | 10 | | 2-G4 | 290 | 30 |
| | 2-J1 | 335 | 6 | 89000 | | | | | 2-E11 | 265 | 17 | 90201-ZE3-790 | 2-D16 | 254 | 9 | 90624-SB0-003 | 2-B4 | 210 | 14 |
| | 2-J2 | 336 | 5 | | | | | | 2-F13 | 283 | 23 | | 2-E1 | 255 | 9 | 90630-751-000 | 2-F1 | 271 | 17 |
| 87532-ZE1-810 | 2-I9 | 327 | 16 | 89000-766-800 | 2-J7 | 341 | 19 | | 2-G4 | 290 | 25 | 90201-ZE3-V00 | 2-E1 | 255 | 9 | | 2-G14 | 300 | 24 |
| | 2-J1 | 335 | 7 | 89000-ZB6-000 | 2-J6 | 340 | 3 | | 2-G6 | 292 | 9 | 90203-PB2-000 | N11 | 201 | 11 | | 2-H1 | 303 | 16 |
| 87532-ZH8-000 | 2-I13 | 331 | 11 | 89000-ZE1-000 | 2-J4 | 338 | 2 | | 2-G7 | 293 | 4 | | N15 | 205 | 9 | | 2-H3 | 305 | 17 |

3

PART NO. INDEX

| Part Number | Address | Page | Ref. | Part Number | Address | Page | Ref. | Part Number | Address | Page | Ref. | Part Number | Address | Page | Ref. |
|----------------|---------|------|------|----------------|---------|------|------|----------------|---------|------|------|----------------|---------|------|------|
| 95701-06010-00 | 2-C11 | 233 | 13 | | | | | | | | | | | | |
| | | | 19 | 98079-55854 | 2-J5 | 339 | 14 | | M5 | 179 | 31 | | | | |
| | | | 19 | | E11 | 57 | 19 | | M11 | 185 | 50 | 99204-ZE2-0380 | M12 | 186 | 51 |
| 95701-06012-00 | F11 | 73 | 19 | 98079-55855 | E12 | 58 | 19 | 99101-ZH7-0880 | L15 | 173 | 36 | 99204-ZE2-0400 | M14 | 188 | 30 |
| | G15 | 93 | 24 | | E13 | 59 | 19 | 99101-ZH7-0900 | L15 | 173 | 36 | | M3 | 177 | 37 |
| | 2-C11 | 233 | 13 | 98079-56841 | E13 | 59 | 19 | 99101-ZH7-0920 | L14 | 172 | 36 | | | | |
| | | | 19 | | 2-J5 | 339 | 14 | | L15 | 173 | 36 | | | | |
| 95701-06016-00 | 2-G5 | 291 | 41 | 98079-56846 | E14 | 60 | 19 | | M1 | 175 | 36 | | | | |
| 95701-06018-00 | 2-J11 | 345 | 25 | | 2-J5 | 339 | 14 | 99101-ZH7-0950 | L14 | 172 | 36 | | | | |
| 95701-06020-00 | 2-J11 | 345 | 25 | 98079-56854 | E15 | 61 | 19 | | M1 | 175 | 36 | | | | |
| 95701-06022-00 | 2-D11 | 249 | 21 | | 2-J5 | 339 | 14 | | M11 | 185 | 50 | | | | |
| | 2-J13 | 347 | 22 | 98079-56855 | E15 | 61 | 19 | | N1 | 191 | 23 | | | | |
| 95701-06025-00 | 2-E11 | 265 | 23 | | 2-J5 | 339 | 14 | 99101-ZH7-0980 | L14 | 172 | 36 | | | | |
| 95701-06035-08 | 2-B8 | 214 | 16 | 98200-30500 | 2-G15 | 301 | 31 | | M1 | 175 | 36 | | | | |
| 95701-06040-08 | 2-J11 | 345 | 26 | | 2-H1 | 303 | 23 | | M11 | 185 | 50 | | | | |
| 95701-08016-08 | 2-C11 | 233 | 14 | | 2-H3 | 305 | 24 | | N1 | 191 | 23 | | | | |
| 95701-08020-00 | 2-C11 | 233 | 15 | | 2-H5 | 307 | 24 | 99101-ZH7-1000 | M1 | 175 | 36 | | | | |
| 95701-08025-00 | 2-D7 | 245 | 18 | | 2-H7 | 309 | 24 | | M11 | 185 | 50 | | | | |
| | 2-D12 | 250 | 19 | | 2-H14 | 316 | 13 | 99101-ZH8-0880 | L15 | 173 | 36 | | | | |
| | 2-I4 | 322 | 11 | | 2-J11 | 345 | 28 | 99101-ZH8-0900 | L14 | 172 | 36 | | | | |
| 95701-08028-00 | 2-D7 | 245 | 18 | | 2-J15 | 349 | 19 | | L15 | 173 | 36 | | | | |
| 95701-08030-00 | 2-B6 | 212 | 17 | 98200-31000 | 2-H14 | 316 | 14 | | L16 | 174 | 36 | | | | |
| 95701-08035-08 | 2-F2 | 272 | 22 | | 2-J11 | 345 | 28 | 99101-ZH8-0920 | L13 | 171 | 36 | | | | |
| 95701-08040-00 | G11 | 89 | 23 | 98200-31500 | 2-G15 | 301 | 31 | | L14 | 172 | 36 | | | | |
| | G15 | 93 | 25 | | 2-H5 | 307 | 24 | | L15 | 173 | 36 | | | | |
| | G16 | 94 | 26 | | 2-H7 | 309 | 24 | | M1 | 175 | 36 | | | | |
| | H2 | 96 | 16 | | 2-H13 | 315 | 23 | | M5 | 179 | 31 | | | | |
| | 2-I3 | 321 | 15 | 98200-32000 | 2-J7 | 341 | 22 | | M14 | 188 | 29 | | | | |
| | 2-I4 | 322 | 12 | 98200-32500 | 2-G15 | 301 | 31 | | N3 | 193 | 34 | | | | |
| 95701-08045-00 | G15 | 93 | 25 | | 2-H10 | 312 | 16 | 99101-ZH8-0950 | L13 | 171 | 36 | | | | |
| 95701-08070-00 | 2-C11 | 233 | 16 | | 2-H13 | 315 | 23 | | L14 | 172 | 36 | | | | |
| | 2-J8 | 342 | 9 | | | | | | L15 | 173 | 36 | | | | |
| 95701-10032-00 | 2-J16 | 350 | 7 | 99000 | | | | | M1 | 175 | 36 | | | | |
| 95701-10080-00 | E9 | 55 | 18 | | | | | | M5 | 179 | 31 | | | | |
| 95725-10080-00 | E9 | 55 | 18 | 99001-10120 | 2-J5 | 339 | 15 | | M11 | 185 | 50 | | | | |
| 95801-08020-18 | 2-J8 | 342 | 10 | | 2-J6 | 340 | 7 | | M14 | 188 | 29 | | | | |
| | 2-J11 | 345 | 27 | | 2-J7 | 341 | 14 | | N3 | 193 | 34 | | | | |
| 95900-08025-00 | 2-I4 | 322 | 11 | | 2-J8 | 342 | 11 | 99101-ZH8-0980 | L13 | 171 | 36 | | | | |
| | | | | 99001-10140 | 2-J5 | 339 | 16 | | L14 | 172 | 36 | | | | |
| 96000 | | | | | 2-J7 | 341 | 23 | | M1 | 175 | 36 | | | | |
| | | | | 99001-14170 | 2-J5 | 339 | 17 | | M5 | 179 | 31 | | | | |
| 96100-62020-00 | F11 | 73 | 20 | | 2-J8 | 342 | 12 | | M12 | 186 | 50 | | | | |
| | G11 | 89 | 24 | 99003-20000 | 2-J7 | 341 | 16 | | M14 | 188 | 29 | | | | |
| | G16 | 94 | 27 | 99003-30000 | 2-J6 | 340 | 8 | | N3 | 193 | 34 | | | | |
| | H2 | 96 | 17 | 99003-50000 | 2-J6 | 340 | 9 | 99101-ZH8-1000 | M1 | 175 | 36 | | | | |
| 96100-62040-00 | G16 | 94 | 28 | 99004-21003 | 2-J5 | 339 | 18 | | M12 | 186 | 50 | | | | |
| 96100-62060-00 | 2-I3 | 321 | 16 | | 2-J6 | 340 | 10 | 99101-ZH8-1020 | L12 | 170 | 36 | | | | |
| 96100-62070-00 | G12 | 90 | 25 | | 2-J7 | 341 | 17 | 99101-ZH8-1050 | L13 | 171 | 36 | | | | |
| | G16 | 94 | 29 | 99005-01000 | 2-J6 | 340 | 11 | 99101-ZH8-1080 | L13 | 171 | 36 | | | | |
| | H2 | 96 | 18 | 99008-02000 | 2-J6 | 340 | 12 | 99104-ZE0-0450 | M15 | 189 | 11 | | | | |
| | H5 | 99 | 13 | 99008-02300 | 2-J5 | 339 | 19 | 99204-ZA0-0400 | M1 | 175 | 37 | | | | |
| | 2-I3 | 321 | 16 | | 2-J7 | 341 | 18 | | N1 | 191 | 24 | | | | |
| 96100-63020-00 | 2-I4 | 322 | 13 | | 2-J8 | 342 | 13 | 99204-ZA0-0450 | M1 | 175 | 37 | | | | |
| | | | | 99101-ZF5-0920 | L13 | 171 | 36 | | M5 | 179 | 32 | | | | |
| | | | | | M5 | 179 | 31 | 99204-ZE0-0350 | M2 | 176 | 37 | | | | |
| | | | | | M11 | 185 | 50 | | M12 | 186 | 51 | | | | |
| 98079-55154 | E9 | 55 | 19 | 99101-ZF5-0950 | L13 | 171 | 36 | | N1 | 191 | 24 | | | | |
| 98079-55841 | E9 | 55 | 19 | | M5 | 179 | 31 | | N3 | 193 | 35 | | | | |
| 98079-55846 | E10 | 56 | 19 | | M11 | 185 | 50 | 99204-ZE0-0450 | M3 | 177 | 37 | | | | |
| | E11 | 57 | 19 | 99101-ZF5-0980 | L13 | 171 | 36 | | M5 | 179 | 32 | | | | |

3

PART NAME INDEX

| Part name | Address | Page | Ref. | Part name | Address | Page | Ref. | Part name | Address | Page | Ref. |
|---------------------------|---------|------|------|----------------------------------|---------|------|------|-----------------------------|---------|------|------|
| [A] | | | | | | | | | | | |
| ALERT UNIT, OIL | F12 | 74 | 21 | BEARING, RADIAL BALL, 6202 | H2 | 96 | 17 | BOLT, FLANGE, 6X18 | 2-J11 | 345 | 25 |
| | J9 | 135 | 1 | | 2-I2 | 320 | 11 | BOLT, FLANGE, 6X20 | 2-J11 | 345 | 25 |
| | K1 | 143 | 21 | BEARING, RADIAL BALL, 6204 | G16 | 94 | 28 | BOLT, FLANGE, 6X22 | 2-D11 | 249 | 21 |
| | 2-G8 | 294 | 1 | BEARING, RADIAL BALL, 6206 | 2-I3 | 321 | 16 | | 2-J13 | 347 | 22 |
| | 2-G15 | 301 | 32 | | 2-I4 | 322 | 8 | BOLT, FLANGE, 6X25 | 2-E11 | 265 | 23 |
| | 2-H2 | 304 | 1 | BEARING, RADIAL BALL, 6207 | G12 | 90 | 25 | BOLT, FLANGE, 6X28 | 2-E7 | 261 | 18 |
| | 2-H3 | 305 | 25 | | G16 | 94 | 29 | | 2-E9 | 263 | 16 |
| | 2-H4 | 306 | 1 | | H2 | 96 | 18 | | 2-E11 | 265 | 20 |
| | 2-H5 | 307 | 26 | | H5 | 99 | 13 | BOLT, FLANGE, 6X35 | 2-B8 | 214 | 16 |
| | 2-H8 | 310 | 25 | BEARING, RADIAL BALL, 6302 | 2-I3 | 321 | 16 | | 2-E6 | 260 | 17 |
| | 2-H11 | 313 | 1 | | 2-I4 | 322 | 13 | | 2-E9 | 263 | 15 |
| | 2-H13 | 315 | 24 | BEARING, RADIAL BALL, 6302 | 2-I4 | 322 | 13 | | 2-E11 | 265 | 18 |
| ARMATURE COMP. | 2-E12 | 266 | 2 | BOLT-WASHER, 5X14 | 2-F1 | 271 | 19 | BOLT, FLANGE, 6X40 | 2-E5 | 259 | 14 |
| ARM COMP., GOVERNOR | 2-F3 | 273 | 1 | BOLT-WASHER, 6X20 | N13 | 203 | 13 | | 2-E5 | 259 | 14 |
| | 2-G2 | 288 | 1 | | N15 | 205 | 11 | | 2-E6 | 260 | 17 |
| ARM, GOVERNOR | 2-F3 | 273 | 2 | BOLT-WASHER, 6X22 | 2-B1 | 207 | 17 | | 2-E9 | 263 | 12 |
| | 2-G2 | 288 | 2 | | 2-B2 | 208 | 13 | | | | |
| | 2-G6 | 292 | 1 | | N13 | 203 | 13 | | 2-E11 | 265 | 16 |
| ARM, VALVE ROCKER | I8 | 118 | 3 | | N15 | 205 | 11 | BOLT, FLANGE, 6X8 | 2-J11 | 345 | 26 |
| ARRESTER, SPARK | 2-B10 | 216 | 7 | BOLT, BATTERY SETTING, 220MM .. | 2-H15 | 317 | 3 | | J7 | 133 | 14 |
| | 2-C1 | 223 | 9 | BOLT, BATTERY TERMINAL | 2-H15 | 317 | 9 | | K2 | 144 | 11 |
| | 2-C8 | 230 | 6 | BOLT, CONNECTING ROD | I5 | 115 | 5 | BOLT, FLANGE, 8X16 | 2-C11 | 233 | 14 |
| | 2-C11 | 233 | 8 | BOLT, DRAIN PLUG, 12MM | F13 | 75 | 24 | BOLT, FLANGE, 8X20 | 2-C11 | 233 | 15 |
| | | | | | 2-J15 | 349 | 18 | | 2-J8 | 342 | 10 |
| | | | | | | | | | 2-J11 | 345 | 27 |
| | | | | BOLT, DRAIN PLUG, 12X15 | F5 | 67 | 8 | BOLT, FLANGE, 8X25 | 2-D7 | 245 | 18 |
| | | | | BOLT, FLANGE, 10X32 | 2-J16 | 350 | 7 | | 2-D12 | 250 | 19 |
| | | | | BOLT, FLANGE, 10X80 | E9 | 55 | 18 | | 2-I4 | 322 | 11 |
| | | | | BOLT, FLANGE, 5X10 | H2 | 96 | 20 | BOLT, FLANGE, 8X28 | 2-D7 | 245 | 18 |
| | | | | BOLT, FLANGE, 6X10 | J8 | 134 | 14 | BOLT, FLANGE, 8X30 | 2-B6 | 212 | 17 |
| | | | | | 2-C11 | 233 | 13 | BOLT, FLANGE, 8X35 | 2-F2 | 272 | 22 |
| | | | | | | | 19 | BOLT, FLANGE, 8X40 | G11 | 89 | 23 |
| | | | | | | | | | G15 | 93 | 25 |
| | | | | BOLT, FLANGE, 6X12 | 2-K1 | 351 | 12 | | G16 | 94 | 26 |
| | | | | | F5 | 67 | 7 | | H2 | 96 | 16 |
| | | | | | F11 | 73 | 19 | | 2-I3 | 321 | 15 |
| | | | | | F13 | 75 | 22 | BOLT, FLANGE, 8X45 | 2-I4 | 322 | 12 |
| | | | | | G15 | 93 | 24 | | G15 | 93 | 25 |
| | | | | | J16 | 142 | 13 | BOLT, FLANGE, 8X70 | 2-C11 | 233 | 16 |
| | | | | | K1 | 143 | 23 | | 2-J8 | 342 | 9 |
| | | | | | K2 | 144 | 8 | BOLT, GOVERNOR ARM | 2-F14 | 284 | 24 |
| | | | | | 2-C3 | 225 | 19 | | 2-G4 | 290 | 26 |
| | | | | | 2-C11 | 233 | 13 | | 2-G6 | 292 | 10 |
| | | | | | | | | BOLT, HEAD COVER | E6 | 52 | 11 |
| | | | | | | | | BOLT, HEX., 10X25 | H5 | 99 | 9 |
| | | | | | | | | | 2-I3 | 321 | 13 |
| | | | | | | | | BOLT, HEX., 3/8-24UNF | H5 | 99 | 9 |
| | | | | | | | | BOLT, HEX., 5X12 | 2-G4 | 290 | 33 |
| | | | | | | | | BOLT, HEX., 8X25 | H5 | 99 | 9 |
| | | | | | | | | | 2-I2 | 320 | 7 |
| | | | | | | | | | 2-I3 | 321 | 13 |
| | | | | | | | | BOLT, HEX., 8X28 | 2-C12 | 234 | 6 |
| | | | | | | | | BOLT, PIVOT, 8MM | I9 | 119 | 15 |
| | | | | | | | | BOLT, RECESSED, 4X6 | N1 | 191 | 19 |
| | | | | | | | | | 2-G4 | 290 | 34 |
| | | | | | | | | BOLT, RECESSED, 5X16 | 2-G6 | 292 | 11 |
| | | | | | | | | BOLT, STUD, 8X106 | E7 | 53 | 12 |
| | | | | | | | | BOLT, STUD, 8X111 | E7 | 53 | 12 |
| | | | | | | | | BOLT, STUD, 8X131.5 | E6 | 52 | 12 |
| | | | | BOLT, FLANGE, 6X16 | 2-G5 | 291 | 41 | | | | |



PART NAME INDEX

| Part name | Address | Page | Ref. | Part name | Address | Page | Ref. | Part name | Address | Page | Ref. |
|--------------------------------|---------|------|------|----------------------------------|---------|------|------|--------------------------------|---------|------|------|
| BOLT, STUD, 8X22 | E7 | 53 | 13 | CAP COMP., FUEL FILLER | 2-D12 | 250 | 5 | CIRCLIP, 5MM | M5 | 179 | 26 |
| BOLT, STUD, 8X32 | E7 | 53 | 13 | | | | 6 | | N1 | 191 | 18 |
| BOLT, STUD, 8X34 | E7 | 53 | 13 | | 2-J12 | 346 | 9 | | N3 | 193 | 30 |
| BOLT, STUD, 8X40 | E7 | 53 | 13 | CAP COMP., OIL | G1 | 79 | 7 | | 2-F15 | 285 | 27 |
| BOLT, STUD, 8X47 | E7 | 53 | 13 | CAP, CHOKE DUST | M7 | 181 | 11 | | 2-G4 | 290 | 30 |
| BOLT, STUD, 8X98 | E6 | 52 | 12 | | M13 | 187 | 10 | CLAMPER, CORD | J13 | 139 | 8 |
| BOX ASSY., CONTROL | 2-G8 | 294 | 3 | | N2 | 192 | 10 | | 2-E3 | 257 | 5 |
| | | | 4 | CAP, CHOKE LEVER | N2 | 192 | 17 | | | | 6 |
| | 2-G9 | 295 | 4 | CAP, LENS | 2-J11 | 345 | 32 | | 2-E9 | 263 | 4 |
| | 2-G10 | 296 | 4 | | 2-J14 | 348 | 13 | | | | 5 |
| | | | 5 | CAP, LEVER | N3 | 193 | 25 | | 2-E11 | 265 | 9 |
| | 2-G16 | 302 | 1 | CAP, MUFFLER | 2-B9 | 215 | 5 | | | | 27 |
| | 2-H2 | 304 | 2 | | 2-B15 | 221 | 6 | CLAMP, TUBE | M11 | 185 | 46 |
| | 2-H4 | 306 | 2 | | 2-C9 | 231 | 11 | CLIP A, AIR CLEANER WIRE | 2-B4 | 210 | 9 |
| | 2-H6 | 308 | 1 | CAP, OIL FILLER | G1 | 79 | 6 | CLIP B, AIR CLEANER WIRE | 2-B4 | 210 | 10 |
| | 2-H9 | 311 | 1 | | G15 | 93 | 16 | CLIP, BREATHER TUBE | E5 | 51 | 10 |
| | 2-H11 | 313 | 3 | | H1 | 95 | 4 | | E15 | 61 | 21 |
| | 2-H12 | 314 | 3 | CAP, PRE AIR CLEANER | 2-B1 | 207 | 11 | | 2-B3 | 209 | 2 |
| BOX, TOOL | 2-J4 | 338 | 1 | CARBURETOR ASSY. | K11 | 153 | 11 | CLIP, GOVERNOR HOLDER | G8 | 86 | 19 |
| BRACKET, CASE MOUNTING | 2-G10 | 296 | 7 | | K12 | 154 | 11 | | G15 | 93 | 19 |
| | 2-G16 | 302 | 3 | | K13 | 155 | 11 | | H1 | 95 | 11 |
| | 2-H2 | 304 | 4 | | M4 | 178 | 10 | CLIP, HARNESS | K1 | 143 | 16 |
| | 2-H4 | 306 | 4 | | M7 | 181 | 9 | | 2-D13 | 251 | 16 |
| | 2-H6 | 308 | 3 | | M12 | 186 | 53 | | 2-E7 | 261 | 19 |
| | 2-H9 | 311 | 3 | | M13 | 187 | 8 | | 2-E11 | 265 | 21 |
| | 2-H12 | 314 | 5 | | M15 | 189 | 2 | | 2-H14 | 316 | 11 |
| BRACKET, CENTER | 2-E13 | 267 | 5 | | M16 | 190 | 8 | CLIP, HEAD | F9 | 71 | 15 |
| BRACKET, FR. | 2-E13 | 267 | 6 | | N2 | 192 | 8 | CLIP, HIGH TENSION CORD | J13 | 139 | 7 |
| BRACKET, STRAINER CUP SETTING | 2-D13 | 251 | 15 | CASE COMP., AIR CLEANER | 2-B3 | 209 | 5 | | 2-E9 | 263 | 3 |
| BRUSH | 2-E14 | 268 | 8 | | 2-B6 | 212 | 4 | | 2-E10 | 264 | 6 |
| BUSH, ARM PIVOT | M9 | 183 | 31 | CASE COMP., FUSE | 2-J10 | 344 | 15 | CLIP, PISTON PIN, 20MM | I5 | 115 | 6 |
| BUSH, CHOKE LEVER | N3 | 193 | 31 | | 2-J14 | 348 | 9 | CLIP, PURSE LOCK | 2-F1 | 271 | 17 |
| BUSH, CONTROL KNOB | 2-J10 | 344 | 13 | CASE COMP., PRE AIR CLEANER ... | 2-B1 | 207 | 10 | | 2-G14 | 300 | 24 |
| | 2-J14 | 348 | 7 | CASE COMP., RECOIL STARTER | I13 | 123 | 2 | | 2-H1 | 303 | 16 |
| | | | | | I14 | 124 | 2 | | 2-H3 | 305 | 17 |
| [C] | | | | | 2-K1 | 351 | 2 | | 2-H5 | 307 | 17 |
| CABLE ASSY., EARTH | 2-H15 | 317 | 8 | CASE, CONTROL | 2-G10 | 296 | 6 | | 2-H7 | 309 | 17 |
| | 2-H16 | 318 | 7 | | 2-G16 | 302 | 2 | CLIP, TUBE | 2-H13 | 315 | 17 |
| CABLE ASSY., STARTING | 2-H15 | 317 | 6 | | 2-H2 | 304 | 3 | | J10 | 136 | 2 |
| | 2-H16 | 318 | 4 | | 2-H4 | 306 | 3 | | M11 | 185 | 45 |
| CAMSHAFT ASSY. | I6 | 116 | 1 | | 2-H6 | 308 | 2 | | N1 | 191 | 22 |
| | I7 | 117 | 1 | | 2-H9 | 311 | 2 | | 2-B5 | 211 | 17 |
| | I8 | 118 | 1 | | 2-H12 | 314 | 4 | | 2-D6 | 244 | 17 |
| CAP ASSY., NOISE SUPPRESSOR .. | 2-E7 | 261 | 21 | CHAMBER SET, FLOAT | 2-J9 | 343 | 2 | | 2-D11 | 249 | 20 |
| | 2-E8 | 262 | 22 | | K5 | 147 | 4 | | 2-D12 | 250 | 18 |
| | | | 22 | | K6 | 148 | 5 | | 2-D13 | 251 | 17 |
| | 2-E9 | 263 | 2 | | K7 | 149 | 5 | | | | 18 |
| | 2-E10 | 264 | 5 | | M4 | 178 | 4 | | | | 19 |
| CAP ASSY., OIL FILLER | F16 | 78 | 4 | | | | 5 | CLIP, VALVE GUIDE | 2-J13 | 347 | 21 |
| | G1 | 79 | 5 | | M6 | 180 | 4 | CLIP, WIRE | E2 | 48 | 4 |
| | G13 | 91 | 4 | | M13 | 187 | 4 | | F9 | 71 | 14 |
| | G14 | 92 | 5 | | M16 | 190 | 4 | | K1 | 143 | 17 |
| | 2-J15 | 349 | 23 | CHOKE SET | N2 | 192 | 4 | | 2-E11 | 265 | 22 |
| CAP COMP., AIR CLEANER | N15 | 205 | 7 | | K9 | 151 | 10 | | 2-J8 | 342 | 2 |
| CAP COMP., FUEL FILLER | 2-D1 | 239 | 6 | | K10 | 152 | 10 | | 2-J9 | 343 | 1 |
| | | | 7 | | K11 | 153 | 10 | | 2-J14 | 348 | 1 |
| | 2-D7 | 245 | 29 | | M4 | 178 | 9 | CLIP, WIRE HARNESS | E7 | 53 | 15 |
| | 2-D10 | 248 | 9 | CIRCLIP, 5MM | M15 | 189 | 1 | | F9 | 71 | 14 |
| | | | | | L9 | 167 | 31 | | M10 | 184 | 37 |



PART NAME INDEX

| Part name | Address | Page | Ref. | Part name | Address | Page | Ref. | Part name | Address | Page | Ref. |
|---------------------------------|---------|------|------|-------------------------------------|---------|------|------|---------------------------------|---------|------|------|
| CLIP, WIRE HARNESS | 2-B4 | 210 | 14 | CONTROL ASSY. | 2-F7 | 277 | 8 | CRANKSHAFT COMP. | H4 | 98 | 6 |
| | 2-G3 | 289 | 24 | | | | 9 | | H5 | 99 | 7 |
| | 2-G4 | 290 | 31 | | | | 10 | | | | 14 |
| CLIP, WIRE HARNESS, 25MM | K1 | 143 | 15 | | 2-G2 | 288 | 6 | CUP ASSY., FUEL STRAINER | 2-D13 | 251 | 10 |
| | 2-H14 | 316 | 9 | | 2-G3 | 289 | 6 | CUP, FUEL STRAINER | L9 | 167 | 30 |
| CLIP, WIRE HARNESS, 6MM | K1 | 143 | 14 | | | | 7 | | N3 | 193 | 28 |
| | K2 | 144 | 9 | | | | 8 | | 2-D7 | 245 | 24 |
| CLUTCH COMP., OVERRUNNING | 2-E13 | 267 | 3 | | | | 9 | | 2-D9 | 247 | 6 |
| COCK ASSY., ELECTRIC FUEL | 2-D13 | 251 | 5 | | 2-G5 | 291 | 42 | | 2-D13 | 251 | 9 |
| COCK ASSY., FUEL | 2-D7 | 245 | 20 | | 2-G6 | 292 | 5 | CUSHION, C.D.I. UNIT | 2-J12 | 346 | 6 |
| | 2-D9 | 247 | 2 | CONTROL UNIT, SOLENOID | 2-H14 | 316 | 5 | | 2-H14 | 316 | 1 |
| | 2-J12 | 346 | 2 | CORD, EARTH | | | 4 | | | | |
| COIL ASSY., CHARGE | 2-E5 | 259 | 8 | CORD, STOP SWITCH | F5 | 67 | 4 | [D] | | | |
| | | | 9 | | 2-E5 | 259 | 12 | DEFLECTOR COMP., MUFFLER | 2-C2 | 224 | 12 |
| | | | 10 | | 2-E9 | 263 | 11 | DIAPHRAGM ASSY. | M9 | 183 | 25 |
| | | | 11 | COUNTERSHAFT COMP. | 2-E11 | 265 | 15 | DIODE ASSY. | 2-J9 | 343 | 7 |
| | 2-E9 | 263 | 8 | | 2-I1 | 319 | 4 | | | | 8 |
| | | | 9 | COUPLER COMP. | 2-I4 | 322 | 4 | DIODE ASSY., SOLENOID | 2-H14 | 316 | 2 |
| | | | 10 | | 2-J9 | 343 | 9 | DOWEL PIN, 12X20 | E7 | 53 | 16 |
| | | | 17 | | 2-J14 | 348 | 3 | DOWEL PIN, 8X12 | G9 | 87 | 20 |
| | 2-E11 | 265 | 12 | COVER ASSY., CRANKCASE | F14 | 76 | 2 | | G15 | 93 | 23 |
| | | | 13 | | F15 | 77 | 2 | | H1 | 95 | 12 |
| | | | 26 | | G13 | 91 | 2 | DOWEL PIN, 8X14 | 2-I3 | 321 | 14 |
| COIL ASSY., IGNITION | 2-E2 | 256 | 1 | COVER ASSY., GEAR CASE | H1 | 95 | 2 | | 2-I4 | 322 | 10 |
| | 2-E3 | 257 | 1 | | 2-I1 | 319 | 1 | DRIVER 2, PLUS SCREW | 2-J7 | 341 | 16 |
| | 2-E9 | 263 | 1 | COVER B, MAGNETIC SWITCH | 2-I4 | 322 | 1 | DRIVER 3, MINUS SCREW | 2-J6 | 340 | 8 |
| | 2-E10 | 264 | 2 | COVER COMP., AIR CLEANER | 2-H16 | 318 | 6 | DRIVER, SCREW | 2-J4 | 338 | 4 |
| COIL ASSY., LAMP | 2-E3 | 257 | 3 | | N15 | 205 | 2 | [E] | | | |
| | | | 4 | | N16 | 206 | 5 | ELBOW COMP., AIR CLEANER | N11 | 201 | 9 |
| | 2-E10 | 264 | 7 | | 2-B3 | 209 | 7 | | N15 | 205 | 6 |
| | | | 8 | COVER COMP., FAN | 2-B4 | 210 | 8 | | N16 | 206 | 9 |
| COLLAR B, AIR CLEANER | N10 | 200 | 8 | | J11 | 137 | 3 | | 2-B2 | 208 | 9 |
| | N15 | 205 | 4 | | J12 | 138 | 3 | | 2-B6 | 212 | 10 |
| | N16 | 206 | 8 | | J13 | 139 | 3 | ELEMENT, AIR CLEANER | 2-B8 | 214 | 10 |
| | 2-B2 | 208 | 8 | | K1 | 143 | 18 | | N5 | 195 | 2 |
| | 2-B8 | 214 | 9 | COVER COMP., HEAD | K2 | 144 | 4 | | N16 | 206 | 2 |
| COLLAR, 10X16X53 | 2-J8 | 342 | 1 | | E3 | 49 | 6 | | 2-B2 | 208 | 2 |
| COLLAR, AIR CLEANER | N9 | 199 | 7 | | E4 | 50 | 6 | | 2-B3 | 209 | 3 |
| | N15 | 205 | 3 | | E5 | 51 | 6 | EMBLEM | 2-I5 | 323 | 3 |
| | N16 | 206 | 7 | COVER COMP., MUFFLER | 2-B10 | 216 | 9 | | 2-I6 | 324 | 3 |
| | 2-B2 | 208 | 7 | | 2-C2 | 224 | 13 | | 2-I7 | 325 | 3 |
| | 2-B6 | 212 | 8 | COVER COMP., RR. MUFFLER | 2-B10 | 216 | 10 | | 2-I11 | 329 | 34 |
| | 2-B7 | 213 | 20 | | 2-C3 | 225 | 14 | | 2-I12 | 330 | 1 |
| | 2-B8 | 214 | 7 | COVER, AIR CLEANER | N6 | 196 | 4 | | 2-I14 | 332 | 1 |
| | | | 8 | | N7 | 197 | 4 | | 2-I16 | 334 | 1 |
| COLLAR, AIR CLEANER CASE | 2-B9 | 215 | 1 | | 2-B2 | 208 | 4 | | 2-J2 | 336 | 1 |
| | 2-B12 | 218 | 1 | | 2-B6 | 212 | 6 | E-RING, 2MM | M11 | 185 | 42 |
| COLLAR, CONTROL BOX | 2-J11 | 345 | 23 | | 2-B8 | 214 | 4 | E-RING, 4MM | M11 | 185 | 43 |
| COLLAR, LEVER | M10 | 184 | 36 | COVER, BATTERY | 2-H16 | 318 | 3 | | N3 | 193 | 29 |
| COLLAR, SETTING | K15 | 157 | 15 | COVER, BATTERY TERMINAL | 2-H16 | 318 | 5 | | M11 | 185 | 44 |
| | M12 | 186 | 52 | COVER, CONTROL | 2-B8 | 214 | 2 | EXTENSION COMP., OIL FILLER ... | G14 | 92 | 9 |
| | M15 | 189 | 4 | COVER, DUCT | H2 | 96 | 19 | | | | |
| | N2 | 192 | 12 | COVER, STARTER MOTOR TERMINAL | 2-H15 | 317 | 7 | | | | |
| COLLAR, STOPPER | 2-F13 | 283 | 22 | CRANKSHAFT COMP. | H3 | 97 | 1 | | | | |
| COLLAR, TANK CUSHION | 2-D10 | 248 | 17 | | | | 2 | | | | |
| | 2-J13 | 347 | 18 | | | | 3 | | | | |
| CONTACTOR ASSY. | 2-E12 | 266 | 1 | | | | 4 | | | | |
| CONTROL ASSY. | 2-F7 | 277 | 6 | | | | 5 | | | | |
| | | | 7 | | | | 5 | | | | |



PART NAME INDEX

2-M 4

| Part name | Address | Page | Ref. | Part name | Address | Page | Ref. | Part name | Address | Page | Ref. |
|-----------------------------|---------|------|------|------------------------------|---------|------|------|--------------------------------|---------|------|------|
| [F] | | | | | | | | [H] | | | |
| FAN, COOLING | 2-D14 | 252 | 1 | GASKET, EX. PIPE | 2-B15 | 221 | 7 | HANDLE, BOX WRENCH | 2-J5 | 339 | 10 |
| FILTER COMP., FUEL | 2-D10 | 248 | 11 | | 2-B16 | 222 | 7 | | 2-J7 | 341 | 7 |
| | 2-J12 | 346 | 11 | | 2-C9 | 231 | 12 | | 2-J8 | 342 | 6 |
| FILTER, CUP | 2-D7 | 245 | 23 | | 2-C10 | 232 | 6 | HARNESS ASSY., ENGINE | 2-E11 | 265 | 14 |
| | 2-D9 | 247 | 5 | | 2-C11 | 233 | 17 | HARNESS ASSY., SUB WIRE | 2-G11 | 297 | 11 |
| | 2-J12 | 346 | 5 | | | | | | | | |
| FILTER, DRAIN TUBE | 2-B4 | 210 | 12 | | 2-C12 | 234 | 2 | | 2-H9 | 311 | 6 |
| FILTER, FUEL | 2-D3 | 241 | 10 | GASKET, MUFFLER | 2-B10 | 216 | 8 | | 2-H12 | 314 | 8 |
| | | | | | 2-C1 | 223 | 10 | | 2-H13 | 315 | 26 |
| | 2-D10 | 248 | 11 | | 2-C2 | 224 | 11 | | 2-H14 | 316 | 4 |
| | 2-D12 | 250 | 9 | | 2-C9 | 231 | 7 | HEAD COMP., CYLINDER | E1 | 47 | 1 |
| | | | | | | | | | E2 | 48 | 1 |
| | 2-D13 | 251 | 12 | GUAGE ASSY., FUEL | 2-C15 | 237 | 4 | HOLDER, BRUSH | 2-E15 | 269 | 12 |
| FILTER, OUTER | N5 | 195 | 3 | GUAGE ASSY., THICKNESS | 2-J4 | 338 | 6 | HOLDER, CABLE | L4 | 162 | 21 |
| | N16 | 206 | 3 | GUAGE COMP., OIL LEVEL | G14 | 92 | 6 | | M5 | 179 | 17 |
| | 2-B2 | 208 | 3 | GEAR, COUNTER | 2-I1 | 319 | 5 | | 2-F10 | 280 | 14 |
| FLANGE COMP., BAFFLE | 2-C1 | 223 | 8 | GEAR, DRIVE PINION | 2-E14 | 268 | 7 | | 2-G3 | 289 | 15 |
| | 2-C8 | 230 | 5 | GEAR, PRIMARY DRIVE | 2-I1 | 319 | 3 | | 2-G6 | 292 | 6 |
| FLOAT SET | K5 | 147 | 3 | | 2-I4 | 322 | 3 | HOLDER, CONTROL CABLE | 2-B8 | 214 | 1 |
| | M4 | 178 | 3 | GEAR, REDUCTION | 2-E15 | 269 | 11 | | 2-G3 | 289 | 19 |
| | M6 | 180 | 3 | GOVERNOR ASSY. | G3 | 81 | 12 | HOLDER, FUEL FILTER | 2-D3 | 241 | 12 |
| | M13 | 187 | 3 | | G14 | 92 | 11 | | 2-D12 | 250 | 11 |
| | M16 | 190 | 2 | GRID, AIR CLEANER | H1 | 95 | 5 | HOLDER, GOVERNOR WEIGHT | G5 | 83 | 14 |
| | N2 | 192 | 3 | GRIP | 2-B6 | 212 | 3 | | G15 | 93 | 13 |
| FLYWHEEL COMP. | 2-D15 | 253 | 5 | GRIP, REINFORCEMENT | 2-J4 | 338 | 5 | | H1 | 95 | 7 |
| | | | | GRIP, SCREW DRIVER | J7 | 133 | 12 | HOLDER, LENS | 2-J11 | 345 | 34 |
| | | | | GRIP, STARTER | 2-J6 | 340 | 9 | | 2-J14 | 348 | 15 |
| | 2-D16 | 254 | 7 | | J5 | 131 | 10 | HOLDER, STOP SWITCH CORD | 2-E5 | 259 | 13 |
| | | | | GROMMET, AIR CLEANER | 2-K1 | 351 | 9 | | 2-E10 | 264 | 6 |
| | 2-E1 | 255 | 11 | | N7 | 197 | 5 | | 2-G12 | 298 | 18 |
| | | | | | N16 | 206 | 6 | | 2-H1 | 303 | 10 |
| FUSE, BLADE | 2-G15 | 301 | 31 | GROMMET, CHOKE ROD | 2-B2 | 208 | 5 | | 2-H3 | 305 | 11 |
| | 2-H1 | 303 | 23 | GROMMET, CORD | M9 | 183 | 27 | | 2-H5 | 307 | 11 |
| | 2-H3 | 305 | 24 | | 2-E4 | 258 | 7 | | 2-H7 | 309 | 11 |
| | 2-H5 | 307 | 24 | | 2-E9 | 263 | 6 | | 2-H12 | 314 | 13 |
| | 2-H7 | 309 | 24 | | | | | HOLDER, WIRE | L5 | 163 | 23 |
| | 2-H10 | 312 | 16 | | 2-E11 | 265 | 24 | | M5 | 179 | 19 |
| | 2-H13 | 315 | 23 | GROMMET, CRANKCASE | 2-J11 | 345 | 30 | | M16 | 190 | 17 |
| | 2-H14 | 316 | 13 | GROMMET, DRAIN HOLE | J15 | 141 | 11 | | N2 | 192 | 22 |
| | | | | GROMMET, FENDER | K2 | 144 | 7 | | 2-F13 | 283 | 21 |
| | 2-J7 | 341 | 22 | | M9 | 183 | 32 | | 2-G3 | 289 | 22 |
| | 2-J11 | 345 | 28 | GROMMET, MAIN CORD | 2-B4 | 210 | 13 | HOSE, AIR CLEANER | 2-B6 | 212 | 7 |
| | 2-J15 | 349 | 19 | GROMMET, SWITCH CORD | 2-J9 | 343 | 4 | | | | |
| | | | | GROMMET, TUBE | 2-J9 | 343 | 5 | HUB, CRAWLER SPROCKET | 2-J16 | 350 | 1 |
| | | | | GROMMET, WIRE CORD | 2-J11 | 345 | 24 | | | | |
| [G] | | | | | | | | [I] | | | |
| GASKET | 2-D13 | 251 | 8 | GUARD, FR. BATTERY | 2-D13 | 251 | 13 | INSULATOR | 2-E16 | 270 | 15 |
| GASKET KIT | 2-K2 | 352 | 1 | GUARD, RR. BATTERY | 2-H15 | 317 | 11 | INSULATOR, CARBURETOR | K16 | 158 | 17 |
| GASKET SET | K3 | 145 | 1 | GUIDE, CHOKE ROD | 2-H15 | 317 | 12 | | L1 | 159 | 17 |
| | M4 | 178 | 1 | GUIDE, EX. VALVE | 2-H15 | 317 | 12 | | M4 | 178 | 13 |
| | M6 | 180 | 1 | GUIDE, IN. VALVE | M9 | 183 | 28 | | M7 | 181 | 13 |
| | M13 | 187 | 1 | GUIDE, PRE AIR CLEANER | E2 | 48 | 3 | | M13 | 187 | 12 |
| | M16 | 190 | 7 | GUIDE, UNDER AIR | E2 | 48 | 2 | | M15 | 189 | 5 |
| GASKET, CYLINDER HEAD | N2 | 192 | 1 | | 2-B1 | 207 | 12 | | M16 | 190 | 12 |
| | E2 | 48 | 5 | | 2-J6 | 340 | 1 | | N2 | 192 | 14 |
| | E3 | 49 | 5 | | | | | | | | |
| GASKET, EX. PIPE | 2-B9 | 215 | 6 | | | | | | | | |

4

PART NAME INDEX

| Part name | Address | Page | Ref. | Part name | Address | Page | Ref. | Part name | Address | Page | Ref. |
|--------------------------------|---------|------|------|---------------------------------|---------|------|------|---------------------------------|---------|------|------|
| [J] | | | | LABEL, CAUTION | 2-I7 | 325 | 7 | MARK, AIR CLEANER SALES POINT · | 2-I15 | 333 | 15 |
| JET SET, PILOT, | M1 | 175 | 37 | | | | | | 2-J1 | 335 | 10 |
| | M2 | 176 | 37 | | 2-I14 | 332 | 2 | | 2-J2 | 336 | 6 |
| | M3 | 177 | 37 | | 2-I15 | 333 | 12 | MARK, CAUTION | 2-I7 | 325 | 4 |
| | M5 | 179 | 32 | | 2-I16 | 334 | 3 | | | | 5 |
| | M12 | 186 | 51 | LABEL, E-SPEC | 2-J2 | 336 | 2 | | | | 6 |
| | M14 | 188 | 30 | | 2-I10 | 328 | 28 | | 2-I8 | 326 | 9 |
| | N1 | 191 | 24 | | 2-I11 | 329 | 28 | | 2-I11 | 329 | 35 |
| JET, MAIN, | N3 | 193 | 35 | | 2-I13 | 331 | 17 | | 2-I12 | 330 | 2 |
| | L12 | 170 | 36 | | 2-J1 | 335 | 12 | | | | 3 |
| | L13 | 171 | 36 | LABEL, FUEL CAUTION | 2-J3 | 337 | 11 | | 2-I14 | 332 | 2 |
| | L14 | 172 | 36 | | 2-I10 | 328 | 26 | | | | 3 |
| | L15 | 173 | 36 | LABEL, FUEL WARNING | 2-J1 | 335 | 13 | | 2-I16 | 334 | 2 |
| | L16 | 174 | 36 | | 2-I7 | 325 | 4 | | | | 3 |
| | M1 | 175 | 36 | LABEL, FUSE | 2-I12 | 330 | 2 | | 2-J1 | 335 | 15 |
| | M5 | 179 | 31 | LABEL, SPECIFICATION | 2-H14 | 316 | 8 | MARK, CHOKE | 2-J2 | 336 | 2 |
| | M11 | 185 | 50 | | 2-I9 | 327 | 14 | | 2-I8 | 326 | 11 |
| | M12 | 186 | 50 | | 2-I12 | 330 | 8 | | 2-I9 | 327 | 12 |
| | M14 | 188 | 29 | | 2-I13 | 331 | 8 | | | | 13 |
| | N1 | 191 | 23 | LABEL, WARNING | 2-J1 | 335 | 5 | | 2-I11 | 329 | 31 |
| JET, PILOT, | N3 | 193 | 34 | | 2-I11 | 329 | 29 | | 2-I12 | 330 | 6 |
| JOINT, FUEL | M15 | 189 | 11 | LENS | 2-I13 | 331 | 18 | | | | 7 |
| JOINT, FUEL TANK | 2-D12 | 250 | 2 | | 2-J11 | 345 | 31 | | 2-I14 | 332 | 4 |
| JOINT, ROD | 2-C14 | 236 | 2 | LENS ASSY., PROTECTOR | 2-J14 | 348 | 12 | | | | 5 |
| | M9 | 183 | 20 | | 2-G13 | 299 | 20 | | 2-I15 | 333 | 16 |
| | M13 | 187 | 19 | | 2-H1 | 303 | 12 | | 2-I16 | 334 | 4 |
| | | | | | 2-H3 | 305 | 13 | | 2-J1 | 335 | 16 |
| | | | | | 2-H5 | 307 | 13 | | 2-J2 | 336 | 4 |
| | | | | | 2-H7 | 309 | 13 | MARK, CONTROL BOX | 2-G13 | 299 | 21 |
| | | | | | 2-J10 | 344 | 17 | | 2-H5 | 307 | 14 |
| | | | | | 2-J14 | 348 | 11 | | 2-H7 | 309 | 14 |
| | | | | | L5 | 163 | 24 | | 2-H9 | 311 | 11 |
| | | | | LEVER COMP., CHOKE | M5 | 179 | 20 | | 2-H13 | 315 | 14 |
| | | | | | M15 | 189 | 9 | MARK, EMERGENCY SWITCH | | | |
| | | | | LEVER COMP., THROTTLE | 2-G7 | 293 | 2 | INDICATION | 2-I5 | 323 | 2 |
| | | | | LEVER, CHOKE | M8 | 182 | 19 | MARK, EX. CAUTION | 2-I9 | 327 | 22 |
| | | | | LEVER, CHOKE SOLENOID | N2 | 192 | 21 | | 2-I10 | 328 | 23 |
| | | | | LEVER, COCK | M13 | 187 | 18 | | 2-I11 | 329 | 33 |
| | | | | | L5 | 163 | 26 | | 2-I13 | 331 | 15 |
| | | | | | L6 | 164 | 26 | | 2-I14 | 332 | 8 |
| | | | | | L7 | 165 | 26 | | 2-J1 | 335 | 18 |
| | | | | | M5 | 179 | 22 | MARK, FUEL INDICATION | 2-I10 | 328 | 25 |
| | | | | | N2 | 192 | 23 | | 2-I13 | 331 | 16 |
| KEY, 6.3X6.3X33 | 2-I2 | 320 | 10 | LEVER, CONTROL | 2-F8 | 278 | 11 | MARK, OIL ALERT | 2-I9 | 327 | 15 |
| | 2-I4 | 322 | 7 | | 2-G3 | 289 | 12 | | | | 16 |
| KEY, 6.3X6.3X43 | H5 | 99 | 12 | LIFTER, VALVE | 18 | 118 | 4 | | | | 18 |
| KEY, 7X7X33 | H5 | 99 | 12 | | | | | | 2-I10 | 328 | 26 |
| | 2-I2 | 320 | 10 | | | | | | 2-I13 | 331 | 10 |
| KEY, 7X7X40 | 2-I2 | 320 | 10 | | | | | | | | 11 |
| KEY, SPECIAL WOODRUFF, 25X18 · | 2-E1 | 255 | 10 | [M] | | | | MARK A, COMBINATION | 2-I12 | 330 | 4 |
| KNOB, COCK LEVER | 2-J9 | 343 | 10 | MARK B, COMBINATION | 2-I12 | 330 | 5 | | 2-I14 | 332 | 6 |
| | 2-J14 | 348 | 4 | MARK, AIR CLEANER | 2-I9 | 327 | 19 | | 2-I15 | 333 | 9 |
| | | | | | 2-I11 | 329 | 32 | | 2-J1 | 335 | 6 |
| | | | | | 2-I13 | 331 | 12 | | | | 7 |
| | | | | | 2-I14 | 332 | 7 | | | | 8 |
| | | | | | 2-J1 | 335 | 17 | | 2-J2 | 336 | 5 |
| LABEL, AIR CLEANER CAUTION ... | 2-I9 | 327 | 20 | MARK, AIR CLEANER CAUTION | 2-I8 | 326 | 10 | MARK, OIL CAUTION | 2-I10 | 328 | 27 |
| | 2-I15 | 333 | 14 | | 2-I9 | 327 | 21 | | 2-I13 | 331 | 8 |
| | 2-J1 | 335 | 9 | | | | | | 2-I14 | 332 | 9 |
| | 2-J2 | 336 | 7 | | | | | | 2-J1 | 335 | 19 |



PART NAME INDEX

2-M 6

| Part name | Address | Page | Ref. | Part name | Address | Page | Ref. | Part name | Address | Page | Ref. |
|---------------------------------|---------|------|------|-----------------------------|---------|------|------|----------------------------------|---------|------|------|
| MARK, OIL CAUTION | 2-J3 | 337 | 10 | NUT, FLANGE, 8MM | 2-C11 | 233 | 11 | PACKING, AIR CLEANER..... | 2-B6 | 212 | 1 |
| MARK, OPERATOR CAUTION | 2-I7 | 325 | 6 | | 2-D4 | 242 | 15 | PACKING, AIR CLEANER COVER | N16 | 206 | 4 |
| | | | | | 2-D12 | 250 | 15 | PACKING, CARBURETOR | L2 | 160 | 19 |
| MARK, THROTTLE INDICATION | 2-I9 | 327 | 17 | | 2-J15 | 349 | 27 | | L3 | 161 | 19 |
| | 2-I15 | 333 | 17 | NUT, HEX., 3MM | M14 | 188 | 26 | | M4 | 178 | 15 |
| | 2-J1 | 335 | 14 | NUT, HEX., 4MM | 2-G15 | 301 | 29 | | M7 | 181 | 14 |
| | 2-J3 | 337 | 12 | | 2-H1 | 303 | 21 | | M13 | 187 | 13 |
| METER ASSY., FUEL | 2-D9 | 247 | 7 | | 2-H3 | 305 | 22 | | M15 | 189 | 7 |
| | 2-J12 | 346 | 7 | | 2-H5 | 307 | 22 | | M16 | 190 | 13 |
| MOTOR UNIT, STARTER | 2-E13 | 267 | 4 | | 2-H7 | 309 | 22 | | N2 | 192 | 15 |
| MUFFLER COMP. | 2-B9 | 215 | 2 | | 2-H10 | 312 | 14 | PACKING, CASE COVER | F15 | 77 | 3 |
| | 2-B12 | 218 | 2 | | 2-H13 | 315 | 21 | | G13 | 91 | 3 |
| | 2-C8 | 230 | 1 | NUT, HEX., 5MM | 2-B11 | 217 | 19 | | H1 | 95 | 3 |
| | 2-C10 | 232 | 1 | | 2-C5 | 227 | 25 | PACKING, CHAIN CASE COVER | 2-I1 | 319 | 2 |
| | 2-C12 | 234 | 1 | NUT, HEX., 8MM | 2-C12 | 234 | 7 | | 2-I4 | 322 | 2 |
| | | | | NUT, OIL FILLER | G7 | 85 | 17 | PACKING, ELBOW | N4 | 194 | 1 |
| [N] | | | | | G15 | 93 | 17 | | N15 | 205 | 1 |
| | | | | NUT, PIVOT ADJUSTING | I9 | 119 | 16 | | N16 | 206 | 1 |
| NOSE, SILENCER | N8 | 198 | 6 | NUT, RING | 2-D13 | 251 | 7 | | 2-B2 | 208 | 1 |
| | N9 | 199 | 6 | NUT, SELF-LOCK, 6MM | 2-F15 | 285 | 26 | PACKING, FUEL COCK | L9 | 167 | 29 |
| | 2-B2 | 208 | 6 | | 2-G4 | 290 | 27 | | M5 | 179 | 25 |
| NOZZLE, MAIN | K13 | 155 | 14 | NUT, SPECIAL, 16MM | 2-D16 | 254 | 9 | | N3 | 193 | 27 |
| | K14 | 156 | 14 | | 2-E1 | 255 | 9 | PACKING, FUEL FILLER CAP | 2-D2 | 240 | 8 |
| | K15 | 157 | 14 | NUT, TOOL BOX SETTING | N12 | 202 | 12 | | 2-D3 | 241 | 9 |
| | M4 | 178 | 12 | | N13 | 203 | 12 | | 2-D8 | 246 | 30 |
| | M7 | 181 | 12 | | N15 | 205 | 10 | | 2-D10 | 248 | 10 |
| | M13 | 187 | 11 | | 2-B1 | 207 | 16 | | 2-D12 | 250 | 7 |
| | M16 | 190 | 10 | | 2-B2 | 208 | 12 | | | | 8 |
| | N2 | 192 | 11 | | 2-B6 | 212 | 11 | | 2-J12 | 346 | 10 |
| NUT-WASHER, 6MM | 2-F2 | 272 | 21 | | 2-B8 | 214 | 11 | PACKING, FUEL STRAINER CUP | K16 | 158 | 16 |
| NUT, AIR CLEANER COVER | N11 | 201 | 11 | NUT, WING, 6MM | N11 | 201 | 11 | | N2 | 192 | 13 |
| | N15 | 205 | 9 | | N15 | 205 | 9 | | 2-D7 | 245 | 19 |
| | 2-B1 | 207 | 15 | | 2-B1 | 207 | 15 | | 2-D9 | 247 | 1 |
| | 2-B2 | 208 | 11 | | 2-B2 | 208 | 11 | | 2-J12 | 346 | 1 |
| NUT, BATTERY TERMINAL | 2-H15 | 317 | 10 | | | | | PACKING, HEAD COVER | E5 | 51 | 7 |
| NUT, CAP, 6MM | N11 | 201 | 10 | [O] | | | | PACKING, INSULATOR | L3 | 161 | 20 |
| | N15 | 205 | 8 | OIL SEAL, 24X47X15 | 2-J16 | 350 | 5 | | L4 | 162 | 20 |
| | 2-B1 | 207 | 14 | OIL SEAL, 30X46X8 | 2-I3 | 321 | 12 | | M4 | 178 | 16 |
| | 2-B2 | 208 | 10 | | 2-I4 | 322 | 9 | | M5 | 179 | 16 |
| NUT, FLANGE, 10MM | F9 | 71 | 16 | OIL SEAL, 35X52X8 | F7 | 69 | 11 | | M8 | 182 | 15 |
| NUT, FLANGE, 5MM | 2-B4 | 210 | 15 | | G9 | 87 | 21 | | M13 | 187 | 14 |
| NUT, FLANGE, 6MM | M11 | 185 | 40 | | H1 | 95 | 13 | | M15 | 189 | 8 |
| | M14 | 188 | 27 | | 2-I3 | 321 | 12 | | M16 | 190 | 14 |
| | N14 | 204 | 14 | OIL SEAL, 8X14X5 | F8 | 70 | 12 | PACKING, OIL FILLER CAP | N2 | 192 | 16 |
| | N15 | 205 | 12 | O-RING | 2-D7 | 245 | 22 | | G1 | 79 | 8 |
| | 2-B1 | 207 | 18 | | 2-D9 | 247 | 4 | | G2 | 80 | 9 |
| | 2-B2 | 208 | 10 | O-RING, 14MM | 2-J12 | 346 | 4 | | G3 | 81 | 10 |
| | 2-B5 | 211 | 16 | | F9 | 71 | 13 | | G14 | 92 | 7 |
| | 2-B6 | 212 | 14 | | 2-D3 | 241 | 13 | | | | 8 |
| | 2-B8 | 214 | 15 | O-RING, 16MM | 2-D12 | 250 | 14 | | G16 | 94 | 30 |
| | 2-G1 | 287 | 33 | O-RING, 26X2.7 | G15 | 93 | 21 | PANEL COMP., CONTROL | 2-J15 | 349 | 24 |
| | 2-G5 | 291 | 39 | | H1 | 95 | 14 | | 2-G11 | 297 | 8 |
| | 2-G6 | 292 | 13 | | | | | | 2-G16 | 302 | 4 |
| NUT, FLANGE, 8MM | 2-B6 | 212 | 15 | | | | | | 2-H2 | 304 | 5 |
| | 2-B11 | 217 | 23 | [P] | | | | | 2-H4 | 306 | 5 |
| | 2-C6 | 228 | 29 | PACKING | 2-F1 | 271 | 18 | | 2-H6 | 308 | 4 |
| | 2-C9 | 231 | 10 | PACKING, AIR CLEANER | M9 | 183 | 24 | | 2-H7 | 309 | 4 |
| | | | | | M13 | 187 | 24 | | 2-H9 | 311 | 4 |
| | 2-C11 | 233 | 10 | | | | | | 2-H12 | 314 | 6 |

4

PART NAME INDEX

| Part name | Address | Page | Ref. | Part name | Address | Page | Ref. | Part name | Address | Page | Ref. |
|----------------------------------|---------|------|------|----------------------------------|---------|------|------|---------------------------------|---------|------|------|
| PANEL, CONTROL BOX | 2-G13 | 299 | 21 | PLUG, SPARK | E13 | 59 | 19 | ROD ASSY., CONNECTING..... | I3 | 113 | 4 |
| | 2-H1 | 303 | 13 | | E14 | 60 | 19 | | I4 | 114 | 4 |
| | 2-H3 | 305 | 14 | | E15 | 61 | 19 | | I5 | 115 | 4 |
| | 2-H5 | 307 | 14 | | 2-J5 | 339 | 14 | ROD, CHOKE | M9 | 183 | 21 |
| PAN, CLEANER OIL | N15 | 205 | 5 | PLUG, USELESS HOLE | K1 | 143 | 22 | | N2 | 192 | 18 |
| PIN, FLAT, 6X27.5 | 2-J7 | 341 | 9 | PROTECTOR COMP., FAN COVER | J13 | 139 | 4 | ROD, CHOKE CONTROL | M9 | 183 | 26 |
| PIN, GOVERNOR WEIGHT | G5 | 83 | 15 | | K2 | 144 | 5 | ROD, CHOKE SOLENOID | M13 | 187 | 20 |
| | G15 | 93 | 14 | PROTECTOR COMP., MUFFLER | 2-B9 | 215 | 3 | ROD, GOVERNOR | 2-F4 | 274 | 3 |
| | H1 | 95 | 8 | | 2-B13 | 219 | 3 | | 2-F5 | 275 | 3 |
| PIN, LOCK, 10MM | F11 | 73 | 18 | PROTECTOR, CIRCUIT | 2-G13 | 299 | 19 | | 2-G2 | 288 | 3 |
| PIN, LOCK, 6MM | 2-J7 | 341 | 12 | | 2-H1 | 303 | 11 | | 2-G6 | 292 | 2 |
| PIN, LOCK, 8MM | F10 | 72 | 18 | | 2-H3 | 305 | 12 | ROD, PUSH | I8 | 118 | 2 |
| | 2-D12 | 250 | 16 | | 2-H5 | 307 | 12 | ROPE, RECOIL STARTER | J6 | 132 | 11 |
| | 2-J5 | 339 | 13 | | 2-H7 | 309 | 12 | | 2-K1 | 351 | 10 |
| PIN, PISTON | I3 | 113 | 3 | | 2-J10 | 344 | 16 | ROTATOR, VALVE | I9 | 119 | 13 |
| PIN, ROLLER ARM, 8X22 | 2-J5 | 339 | 12 | | 2-J14 | 348 | 10 | RUBBER, AIR CLEANER COVER | 2-B8 | 214 | 6 |
| PIN, SPRING, 2X12 | L12 | 170 | 35 | PROTECTOR, EX. PIPE | 2-B13 | 219 | 4 | RUBBER, BOTTOM | F5 | 67 | 5 |
| | M5 | 179 | 30 | PROTECTOR, L. MUFFLER | 2-C8 | 230 | 3 | | | | 6 |
| | M15 | 189 | 10 | PROTECTOR, MUFFLER INNER | 2-C10 | 232 | 3 | RUBBER, CONTROL | 2-J15 | 349 | 25 |
| PIN, SPRING, 2X6 | 2-G7 | 293 | 6 | PROTECTOR, MUFFLER OUTER | 2-C10 | 232 | 2 | | 2-J9 | 343 | 3 |
| PIPE COMP., OIL | G3 | 81 | 11 | PROTECTOR, R. MUFFLER | 2-C8 | 230 | 2 | RUBBER, CONTROL BOX | 2-J11 | 345 | 21 |
| PIPE, BOX WRENCH EXTENSION | 2-J5 | 339 | 11 | PULLEY COMP., STARTER | 2-D14 | 252 | 3 | RUBBER, FUEL | 2-D7 | 245 | 27 |
| | 2-J7 | 341 | 8 | PULLEY, RECOIL STARTER | I15 | 125 | 3 | | 2-D10 | 248 | 16 |
| PIPE, EX. | 2-B9 | 215 | 4 | | 2-K1 | 351 | 3 | | 2-J12 | 346 | 17 |
| | 2-B14 | 220 | 5 | PULLEY, STARTER | 2-D15 | 253 | 4 | RUBBER, SUPPORTER | 2-C13 | 235 | 1 |
| | 2-C8 | 230 | 4 | | | | | | 2-D11 | 249 | 22 |
| | 2-C10 | 232 | 5 | [R] | | | | | 2-D12 | 250 | 1 |
| PISTON | H15 | 109 | 2 | RATCHET, STARTER | I16 | 126 | 4 | RUBBER, TANK CUSHION | 2-D10 | 248 | 15 |
| | H16 | 110 | 2 | | 2-K1 | 351 | 4 | | 2-D12 | 250 | 12 |
| | I1 | 111 | 2 | RECTIFIER ASSY., REGULATOR | 2-E11 | 265 | 11 | RUBBER, TANK MOUNTING | 2-J12 | 346 | 16 |
| | I2 | 112 | 2 | | 2-G8 | 294 | 2 | | 2-D7 | 245 | 26 |
| | I3 | 113 | 2 | | 2-G11 | 297 | 9 | | 2-D10 | 248 | 12 |
| PIVOT, ROCKER ARM | I8 | 118 | 5 | | 2-H9 | 311 | 5 | | 2-J12 | 346 | 12 |
| PLATE SET, AIR CLEANER | 2-B7 | 213 | 19 | | 2-H11 | 313 | 2 | [S] | | | |
| PLATE, BATTERY | 2-H15 | 317 | 4 | | 2-H12 | 314 | 7 | SCREEN SET | 2-D12 | 250 | 3 |
| PLATE, BATTERY GUARD | 2-H15 | 317 | 1 | | 2-J15 | 349 | 21 | SCREEN, FUEL STRAINER | 2-D7 | 245 | 21 |
| PLATE, BATTERY SETTING | 2-H15 | 317 | 2 | RECTIFIER ASSY., SILICON | 2-G11 | 297 | 10 | | 2-D9 | 247 | 3 |
| | 2-H16 | 318 | 2 | | 2-G16 | 302 | 5 | | 2-J12 | 346 | 3 |
| PLATE, COOLING FAN SETTING | 2-D14 | 252 | 2 | | 2-H2 | 304 | 6 | SCREW-WASHER, 4X6 | 2-F1 | 271 | 16 |
| PLATE, EXTENSION | G14 | 92 | 10 | | 2-H5 | 307 | 6 | SCREW-WASHER, 5X12 | M10 | 184 | 39 |
| PLATE, FUEL INDICATION | 2-I10 | 328 | 24 | | 2-H7 | 309 | 5 | | M11 | 185 | 39 |
| | 2-I13 | 331 | 16 | | 2-J9 | 343 | 6 | | M13 | 187 | 25 |
| | 2-I15 | 333 | 13 | | 2-J14 | 348 | 2 | | N1 | 191 | 20 |
| PLATE, FUEL TANK HANGER | 2-D13 | 251 | 14 | RECTIFIER COMP., REGULATOR | 2-J11 | 345 | 35 | | 2-B11 | 217 | 20 |
| PLATE, LEVER SETTING | L7 | 165 | 27 | RECTIFIER COMP., SILICON | 2-H14 | 316 | 3 | | 2-C5 | 227 | 27 |
| | M5 | 179 | 23 | RETAINER, EX. VALVE SPRING | I9 | 119 | 11 | SCREW-WASHER, 5X14 | 2-F1 | 271 | 19 |
| | N3 | 193 | 24 | RETAINER, IN. VALVE SPRING | I9 | 119 | 10 | SCREW-WASHER, 5X16 | L11 | 169 | 34 |
| PLATE, PUSH ROD GUIDE | I9 | 119 | 14 | RETAINER, SPRING | J4 | 130 | 8 | | M5 | 179 | 29 |
| PLATE, SET | 2-B10 | 216 | 13 | | 2-K1 | 351 | 8 | | 2-B8 | 214 | 14 |
| | 2-C3 | 225 | 17 | RING SET, PISTON | H6 | 100 | 1 | | 2-F16 | 286 | 32 |
| PLUG, CONE TYPE | 2-B8 | 214 | 12 | | H7 | 101 | 1 | | 2-G5 | 291 | 38 |
| PLUG, OIL DRAIN | F13 | 75 | 23 | | H8 | 102 | 1 | SCREW-WASHER, 5X32 | 2-F1 | 271 | 20 |
| | 2-J15 | 349 | 17 | | H9 | 103 | 1 | SCREW-WASHER, 6X20 | 2-B11 | 217 | 21 |
| PLUG, SEALING | F7 | 69 | 10 | | H10 | 104 | 1 | | 2-C5 | 227 | 28 |
| PLUG, SEAL, 47X10 | 2-J16 | 350 | 6 | | H11 | 105 | 1 | SCREW SET | K7 | 149 | 6 |
| PLUG, SPARK | E9 | 55 | 19 | | H12 | 106 | 1 | | K9 | 151 | 9 |
| | E10 | 56 | 19 | | H13 | 107 | 1 | | M4 | 178 | 8 |
| | E11 | 57 | 19 | | H14 | 108 | 1 | | | | |
| | E12 | 58 | 19 | | | | | | | | |



PART NAME INDEX

2-M 8

| Part name | Address | Page | Ref. | Part name | Address | Page | Ref. | Part name | Address | Page | Ref. |
|--------------------------|---------|------|------|-------------------------------|---------|------|------|---------------------------------|---------|------|------|
| SCREW SET | M7 | 181 | 8 | SCREW, PAN, 5X35 | 2-G5 | 291 | 37 | SOLENOID ASSY. | 2-G7 | 293 | 3 |
| | M13 | 187 | 7 | SCREW, PAN, 5X45 | 2-F16 | 286 | 31 | SOLENOID ASSY., CHOKE | M13 | 187 | 21 |
| | M16 | 190 | 6 | | 2-G1 | 287 | 32 | SOLENOID, ROTARY CHOKE | M13 | 187 | 23 |
| | N2 | 192 | 7 | SCREW, PAN, 5X8 | 2-G7 | 293 | 5 | SPACER COMP., CARBURETOR | L2 | 160 | 18 |
| SCREW SET, DRAIN | K9 | 151 | 8 | SCREW, PAN, 6X6 | 2-C5 | 227 | 26 | | M4 | 178 | 14 |
| | M4 | 178 | 7 | SCREW, PAN, 6X8 | 2-B8 | 214 | 13 | | M15 | 189 | 6 |
| | M7 | 181 | 7 | SCREW, RECESSED, 5X25 | 2-F15 | 285 | 25 | SPACER, CHOKE SOLENOID | M13 | 187 | 22 |
| | M13 | 187 | 6 | SCREW, SPECIAL, 6X12 | 2-G13 | 299 | 23 | SPACER, CONTROL LEVER | 2-F11 | 281 | 15 |
| | M16 | 190 | 5 | | 2-H1 | 303 | 15 | | 2-G3 | 289 | 16 |
| | N2 | 192 | 6 | | 2-H3 | 305 | 16 | SPACER, MUFFLER COVER | 2-B10 | 216 | 14 |
| SCREW SET, PILOT | K7 | 149 | 6 | | 2-H5 | 307 | 16 | | 2-C3 | 225 | 18 |
| | K8 | 150 | 7 | | 2-H7 | 309 | 16 | SPANNER, 10X12 | 2-J5 | 339 | 15 |
| | M4 | 178 | 6 | | 2-H9 | 311 | 12 | | 2-J6 | 340 | 7 |
| | M6 | 180 | 5 | | 2-H13 | 315 | 16 | | 2-J7 | 341 | 14 |
| | | | 6 | SCREW, TAPPING, 4X6 | 2-B11 | 217 | 17 | | 2-J8 | 342 | 11 |
| | M13 | 187 | 5 | | | | 18 | SPANNER, 10X14 | 2-J5 | 339 | 16 |
| | M16 | 190 | 3 | | 2-C4 | 226 | 24 | | 2-J7 | 341 | 23 |
| | N2 | 192 | 5 | | 2-C9 | 231 | 13 | SPANNER, 12X14 | 2-J7 | 341 | 21 |
| SCREW, CENTER | J7 | 133 | 13 | SCREW, TAPPING, 4X8 | 2-C11 | 233 | 9 | SPANNER, 14X17 | 2-J5 | 339 | 17 |
| | 2-K1 | 351 | 11 | SCREW, TAPPING, 5X25 | 2-B11 | 217 | 16 | | 2-J8 | 342 | 12 |
| SCREW, FLAT, 5X10 | 2-D3 | 241 | 14 | | 2-C4 | 226 | 23 | SPRING, BRUSH RETURN | 2-E15 | 269 | 10 |
| | 2-D11 | 249 | 18 | SCREW, TAPPING, 5X8 | 2-B10 | 216 | 15 | SPRING, CABLE RETURN | 2-F13 | 283 | 20 |
| | 2-J13 | 347 | 19 | | 2-B11 | 217 | 18 | | 2-G3 | 289 | 21 |
| SCREW, GLOVE BOX | 2-J10 | 344 | 19 | | 2-C3 | 225 | 20 | SPRING, CHOKE RETURN | 2-G7 | 293 | 1 |
| | 2-J14 | 348 | 16 | | 2-C4 | 226 | 22 | SPRING, COCK LEVER | L8 | 166 | 28 |
| SCREW, PAN, 3X12 | 2-G14 | 300 | 27 | | 2-C9 | 231 | 9 | | M5 | 179 | 24 |
| | 2-H1 | 303 | 19 | | | | 15 | | N3 | 193 | 26 |
| | 2-H3 | 305 | 20 | SCREW, TAPPING, 6X10 | 2-B11 | 217 | 22 | SPRING, COIL | 2-J11 | 345 | 33 |
| | 2-H5 | 307 | 20 | SCREW, THROTTLE STOP | K13 | 155 | 13 | | 2-J14 | 348 | 14 |
| | 2-H7 | 309 | 20 | | M4 | 178 | 11 | SPRING, CONTROL ADJUSTING | K2 | 144 | 2 |
| SCREW, PAN, 3X6 | L11 | 169 | 32 | | M7 | 181 | 10 | | 2-F12 | 282 | 19 |
| | M5 | 179 | 27 | | M13 | 187 | 9 | | 2-G3 | 289 | 20 |
| | N3 | 193 | 32 | | M15 | 189 | 3 | SPRING, CONTROL LEVER RETURN .. | 2-G6 | 292 | 7 |
| SCREW, PAN, 3X8 | L10 | 168 | 32 | | M16 | 190 | 9 | SPRING, FRICTION | 2-G6 | 292 | 8 |
| | M5 | 179 | 27 | | N2 | 192 | 9 | | J1 | 127 | 5 |
| SCREW, PAN, 4X12 | 2-G15 | 301 | 28 | SCROLL, GENERATOR FAN | K2 | 144 | 1 | SPRING, GOVERNOR | 2-K1 | 351 | 5 |
| | 2-H1 | 303 | 20 | SEAL, AIR CLEANER | 2-B4 | 210 | 11 | | 2-F5 | 275 | 4 |
| | 2-H3 | 305 | 21 | SEAL, CHOKE LEVER | M10 | 184 | 34 | SPRING, LEVER | 2-G2 | 288 | 4 |
| | 2-H5 | 307 | 21 | SEAL, FAN COVER | K1 | 143 | 19 | | 2-G6 | 292 | 3 |
| | 2-H7 | 309 | 21 | SEAL, FUEL FILLER NECK | 2-D13 | 251 | 11 | SPRING, MANUAL CHOKE | 2-F9 | 279 | 12 |
| | 2-H10 | 312 | 13 | SEAL, MUFFLER DUCT | 2-C12 | 234 | 3 | SPRING, RATCHET | 2-G3 | 289 | 13 |
| | 2-H13 | 315 | 20 | | | | 4 | | M9 | 183 | 23 |
| SCREW, PAN, 4X25 | 2-B6 | 212 | 13 | SEAL, MUFFLER PROTECTOR | 2-C10 | 232 | 4 | SPRING, RETURN | J3 | 129 | 7 |
| SCREW, PAN, 4X6 | L11 | 169 | 33 | SEAL, RECOIL | K1 | 143 | 20 | | 2-K1 | 351 | 7 |
| | M5 | 179 | 28 | SEAL, UNDER AIR GUIDE | 2-J6 | 340 | 2 | SPRING, STARTER RETURN | L5 | 163 | 25 |
| | N3 | 193 | 33 | SEAL, VALVE STEM | I10 | 120 | 17 | | M5 | 179 | 21 |
| | 2-F15 | 285 | 28 | SEAT, VALVE SPRING | I9 | 119 | 12 | SPRING, THROTTLE RETURN | M16 | 190 | 16 |
| | 2-G5 | 291 | 35 | SEPARATOR, AIR CLEANER | 2-B3 | 209 | 4 | | J2 | 128 | 6 |
| SCREW, PAN, 5X12 | M10 | 184 | 38 | SHAFT, GOVERNOR ARM | F4 | 66 | 3 | | 2-K1 | 351 | 6 |
| SCREW, PAN, 5X16 | 2-G1 | 287 | 32 | SHAFT, P.T.O. | 2-I1 | 319 | 6 | SPRING, VALVE | N2 | 192 | 19 |
| | 2-G5 | 291 | 38 | | 2-I4 | 322 | 5 | | 2-F6 | 276 | 5 |
| SCREW, PAN, 5X16.5 | 2-B1 | 207 | 13 | SHROUD | J13 | 139 | 5 | SPRING, WEIGHT RETURN | 2-G2 | 288 | 5 |
| SCREW, PAN, 5X32 | K2 | 144 | 10 | SHROUD ASSY., UPPER | K2 | 144 | 3 | | 2-G6 | 292 | 4 |
| | 2-F15 | 285 | 29 | SHROUD COMP., LOWER | K2 | 144 | 6 | STARTER ASSY., RECOIL | I9 | 119 | 9 |
| | 2-G4 | 290 | 28 | SLIDER, GOVERNOR | G6 | 84 | 16 | | I11 | 121 | 1 |
| | 2-G5 | 291 | 36 | | G7 | 85 | 16 | | I12 | 122 | 1 |
| | 2-G6 | 292 | 12 | | G15 | 93 | 15 | | I13 | 123 | 1 |
| SCREW, PAN, 5X35 | 2-F16 | 286 | 30 | | H1 | 95 | 9 | | 2-K1 | 351 | 1 |
| | 2-G4 | 290 | 28 | | | | | | | | |

PART NAME INDEX

| Part name | Address | Page | Ref. | Part name | Address | Page | Ref. | Part name | Address | Page | Ref. |
|--------------------------------|---------|------|------|---------------------------------|---------|------|------|-------------------------------|---------|------|------|
| STAY ASSY., CHOKE CONTROL ---- | L4 | 162 | 22 | [T] | | | | TUBE, FUEL, 5.3X200..... | 2-D5 | 243 | 16 |
| | M5 | 179 | 18 | TANK ASSY., FUEL | 2-C14 | 236 | 3 | TUBE, FUEL, 5.3X240..... | 2-D5 | 243 | 16 |
| | M16 | 190 | 15 | | 2-C15 | 237 | 3 | TUBE, VINYL, 4.5X8X230..... | 2-B5 | 211 | 18 |
| | N2 | 192 | 20 | TANK COMP., FUEL | 2-C15 | 237 | 5 | TUBE, VINYL, 4.5X8X380..... | 2-B5 | 211 | 19 |
| STAY ASSY., MANUAL CHOKE | M8 | 182 | 17 | | 2-C16 | 238 | 5 | [V] | | | |
| STAY ASSY., SOLENOID | M13 | 187 | 16 | | 2-D1 | 239 | 5 | VALVE ASSY., SOLENOID..... | M8 | 182 | 16 |
| STAY A, MUFFLER | 2-C11 | 233 | 7 | | 2-D7 | 245 | 25 | | M9 | 183 | 30 |
| STAY COMP., AIR CLEANER | 2-B6 | 212 | 5 | | 2-D9 | 247 | 8 | | M13 | 187 | 15 |
| STAY COMP., CHOKE SOLENOID ... | M13 | 187 | 17 | | 2-D10 | 248 | 8 | | M16 | 190 | 11 |
| STAY COMP., SOLENOID | M8 | 182 | 18 | | 2-D12 | 250 | 4 | VALVE SET, FLOAT..... | K4 | 146 | 2 |
| STAY COMP., WIRE HOLDER | 2-B8 | 214 | 3 | | 2-J12 | 346 | 8 | | M4 | 178 | 2 |
| STAY, AIR CLEANER | 2-B3 | 209 | 6 | TERMINAL ASSY., HIGH TENSION -- | 2-E3 | 257 | 2 | | M6 | 180 | 2 |
| STAY, MUFFLER COVER | 2-B10 | 216 | 12 | | 2-E10 | 264 | 4 | | M13 | 187 | 2 |
| | 2-C3 | 225 | 16 | TIMER UNIT | 2-H14 | 316 | 7 | | M16 | 190 | 1 |
| STOPPER, CHOKE ROD | M9 | 183 | 22 | TOOL KIT | 2-J4 | 338 | 2 | | N2 | 192 | 2 |
| STOPPER, DISCHARGE GUARD | 2-D10 | 248 | 13 | | 2-J6 | 340 | 3 | VALVE, DASHPOT CHECK..... | M9 | 183 | 29 |
| | 2-J12 | 346 | 13 | TOOL SET | 2-J8 | 342 | 3 | VALVE, EX. | I9 | 119 | 8 |
| STRAINER, FUEL | 2-D13 | 251 | 6 | | 2-J7 | 341 | 19 | VALVE, IN. | I9 | 119 | 7 |
| STRAP, CABLE, 118MM | 2-G14 | 300 | 25 | TUBE, 11X105 | E8 | 54 | 17 | [W] | | | |
| | 2-H1 | 303 | 17 | TUBE, 3.5X130 | M11 | 185 | 48 | WASHER COMP., HEAD COVER..... | E7 | 53 | 14 |
| | 2-H3 | 305 | 18 | TUBE, 3.5X30 | M11 | 185 | 48 | WASHER, 10.5X40X4..... | H5 | 99 | 10 |
| | 2-H5 | 307 | 18 | TUBE, 3.5X495 | M11 | 185 | 47 | | 2-I2 | 320 | 9 |
| | 2-H7 | 309 | 18 | TUBE, 3.5X695 | M11 | 185 | 49 | WASHER, 6X16..... | G7 | 85 | 18 |
| | 2-H13 | 315 | 18 | TUBE, 3.5X75 | M11 | 185 | 47 | | G15 | 93 | 18 |
| STRAP, WIRE HARNESS, 25MM ---- | 2-H14 | 316 | 10 | TUBE, BATTERY BREATHER | 2-H16 | 318 | 1 | | H1 | 95 | 10 |
| | 2-J6 | 340 | 6 | TUBE, BREATHER | E5 | 51 | 8 | WASHER, 8MM..... | 2-I2 | 320 | 8 |
| SUB HARNESS | F5 | 67 | 4 | | E8 | 54 | 17 | WASHER, 8.2X17X0.8..... | F6 | 68 | 9 |
| | J14 | 140 | 9 | | E15 | 61 | 20 | WASHER, AIR DUCT..... | 2-D12 | 250 | 13 |
| | 2-G11 | 297 | 14 | | 2-B3 | 209 | 1 | WASHER, FRAME JOINT..... | 2-J13 | 347 | 23 |
| | 2-H5 | 307 | 27 | TUBE, CORD | 2-J8 | 342 | 8 | WASHER, LOCK, 8MM..... | H5 | 99 | 11 |
| | 2-H7 | 309 | 7 | | 2-J11 | 345 | 22 | | 2-I2 | 320 | 9 |
| | 2-H9 | 311 | 7 | TUBE, FASTENER, 30MM | 2-G14 | 300 | 26 | WASHER, PLAIN, 4MM..... | 2-G15 | 301 | 33 |
| | 2-H12 | 314 | 9 | | 2-H1 | 303 | 18 | | 2-H3 | 305 | 26 |
| SUSPENSION, COUPLER | 2-G11 | 297 | 13 | | 2-H3 | 305 | 19 | WASHER, PLAIN, 5MM..... | 2-H8 | 310 | 26 |
| | 2-G16 | 302 | 6 | | 2-H5 | 307 | 19 | | 2-H13 | 315 | 25 |
| | 2-H2 | 304 | 7 | | 2-H7 | 309 | 19 | WASHER, PLAIN, 6MM..... | G10 | 88 | 22 |
| | 2-H5 | 307 | 7 | | 2-H7 | 309 | 19 | | G15 | 93 | 22 |
| | 2-H7 | 309 | 6 | | 2-H13 | 315 | 19 | WASHER, PLAIN, 8MM..... | H1 | 95 | 15 |
| SUSPENSION, WINKER RELAY | 2-H14 | 316 | 6 | TUBE, FUEL | 2-D13 | 251 | 1 | | 2-B6 | 212 | 16 |
| | 2-J7 | 341 | 20 | | 2-D7 | 245 | 28 | WASHER, PLAIN, 3MM..... | 2-J7 | 341 | 11 |
| SWITCH ASSY., COMBINATION ---- | 2-G11 | 297 | 16 | | 2-D11 | 249 | 19 | WASHER, SPRING, 4MM..... | 2-C11 | 233 | 12 |
| | 2-G12 | 298 | 16 | | 2-D11 | 249 | 19 | | M14 | 188 | 28 |
| | 2-G16 | 302 | 8 | TUBE, FUEL SUPPORTER | 2-D11 | 249 | 19 | | 2-G15 | 301 | 30 |
| | 2-H2 | 304 | 9 | TUBE, FUEL, 4.5X150 | 2-D5 | 243 | 16 | | | | |
| | 2-H5 | 307 | 9 | | 2-D11 | 249 | 19 | | | | |
| | 2-H7 | 309 | 9 | TUBE, FUEL, 4.5X165 | 2-D11 | 249 | 19 | | | | |
| | 2-H9 | 311 | 9 | | 2-D7 | 245 | 28 | | | | |
| | 2-H12 | 314 | 11 | | 2-D11 | 249 | 19 | | | | |
| | 2-J9 | 343 | 11 | | 2-D11 | 249 | 19 | | | | |
| | 2-J10 | 344 | 11 | TUBE, FUEL, 4.5X190 | 2-D11 | 249 | 19 | | | | |
| | 2-J11 | 345 | 36 | | 2-D11 | 249 | 19 | | | | |
| | 2-J14 | 348 | 5 | TUBE, FUEL, 4.5X210 | 2-D11 | 249 | 19 | | | | |
| SWITCH ASSY., ENGINE KILL ---- | 2-J10 | 344 | 14 | TUBE, FUEL, 4.5X235 | 2-D5 | 243 | 16 | | | | |
| | 2-J14 | 348 | 8 | TUBE, FUEL, 4.5X250 | 2-D11 | 249 | 19 | | | | |
| SWITCH ASSY., ENGINE STOP ---- | J14 | 140 | 10 | TUBE, FUEL, 4.5X260 | N1 | 191 | 21 | | | | |
| | J15 | 141 | 10 | | 2-D11 | 249 | 19 | | | | |
| | F3 | 65 | 2 | TUBE, FUEL, 4.5X300 | 2-D11 | 249 | 19 | | | | |
| SWITCH ASSY., OIL LEVEL | F3 | 65 | 2 | TUBE, FUEL, 4.5X430 | 2-D5 | 243 | 16 | | | | |
| SWITCH ASSY., STARTER MAGNETIC | 2-J15 | 349 | 22 | | 2-D12 | 250 | 17 | | | | |
| SWITCH, THERMO | E5 | 51 | 9 | | | | | | | | |



PART NAME INDEX

2-M10

| Part name | Address | Page | Ref. | Part name | Address | Page | Ref. | Part name | Address | Page | Ref. |
|--------------------------------|---------|------|------|-----------|---------|------|------|-----------|---------|------|------|
| WASHER, SPRING, 4MM | 2-H1 | 303 | 22 | | | | | | | | |
| | 2-H3 | 305 | 23 | | | | | | | | |
| | 2-H5 | 307 | 23 | | | | | | | | |
| | 2-H7 | 309 | 23 | | | | | | | | |
| | 2-H10 | 312 | 15 | | | | | | | | |
| | 2-H13 | 315 | 22 | | | | | | | | |
| WASHER, SPRING, 5MM | 2-B11 | 217 | 25 | | | | | | | | |
| | 2-C7 | 229 | 31 | | | | | | | | |
| WASHER, TANK CUSHION | 2-D10 | 248 | 14 | | | | | | | | |
| | 2-J12 | 346 | 15 | | | | | | | | |
| WASHER, THRUST, 2.7X8 | M10 | 184 | 35 | | | | | | | | |
| WEIGHT, BALANCER | H5 | 99 | 8 | | | | | | | | |
| WEIGHT, GOVERNOR | G4 | 82 | 13 | | | | | | | | |
| | G14 | 92 | 12 | | | | | | | | |
| | H1 | 95 | 6 | | | | | | | | |
| WHEEL, DRIVEN | 2-J16 | 350 | 3 | | | | | | | | |
| WHEEL, DRIVE SPROCKET | 2-J16 | 350 | 2 | | | | | | | | |
| WHEEL, INDUCTION | 2-J16 | 350 | 4 | | | | | | | | |
| WIRE, WATER COVER | 2-E15 | 269 | 13 | | | | | | | | |
| | 2-E16 | 270 | 14 | | | | | | | | |
| WRENCH COMP., SPARK PLUG | 2-J1 | 335 | 11 | | | | | | | | |
| | 2-J4 | 338 | 9 | | | | | | | | |
| | 2-J7 | 341 | 6 | | | | | | | | |
| | 2-J8 | 342 | 5 | | | | | | | | |
| WRENCH, BOX | 2-J4 | 338 | 8 | | | | | | | | |
| | 2-J5 | 339 | 18 | | | | | | | | |
| | 2-J6 | 340 | 10 | | | | | | | | |
| | 2-J7 | 341 | 17 | | | | | | | | |
| WRENCH, PLUG | 2-J4 | 338 | 7 | | | | | | | | |
| | 2-J6 | 340 | 5 | | | | | | | | |
| | 2-J7 | 341 | 5 | | | | | | | | |
| | 2-J8 | 342 | 4 | | | | | | | | |
| [Y] | | | | | | | | | | | |
| YOKE COMP. | 2-E15 | 269 | 9 | | | | | | | | |

1

FOREWORD INDEX

2

ENGINE GROUP

3

PART NUMBER INDEX

4

PART NAME INDEX

HONDA
The Power of Dreams



PARTS CATALOGUE NEWS

Honda Motor Co., Ltd. Service Division

PARTS CATALOGUE - CORRECTED

Printed in Japan

| | |
|----------------------|--|
| CODE NO. | 17ZE30E9 |
| PARTS CATALOGUE NEWS | GX340K1 GX340K1 [PROPANE ENGINE] |
| NEWS NO. | 001 |

| Block No. | Ref. No. | Note | Part No. | Description | Reqd. QTY | | | Serial No. | Parts catalogue code | |
|-----------|----------|------|---------------|-----------------------------------|-----------|-----|-----|------------|---|--|
| | | | | | (1) | (2) | (3) | | | |
| E-28 | 18 | | 87532-ZH8-810 | MARK, OIL ALERT (ENGLISH) | 1 | 1 | 1 | ----- | EDN5, EDN5/A, ED9, HX26, HX26/A, LKE/A, LXE6, LXE8, LXE8/A, LXU, LXU/A, LX26, LX26/A, PXE8, PXE8/A, P1/A, QAE6, QAE6/A, QA26, QA26/A, QME8, QME8/A, QNE6, QNR6, QNR6/A, QXC6, QXC6/A, QXE6, QXE6/A, QXE8, QXE8/A, QXU, QXU/A, Q1/A, SHT, SWX/A, SXE8, SXE8/A, SXU, SXU/A, VD16, VEB6, VMX, VXB2, VXE6, VXE8, VXE8/A, VXP, VXU, VXU1, VXU1/A, VX16, VX16/A, VX8, VX8/A | |
| | | | | | 1 | 1 | - | ----- | 4110467 | ED9/A, ES1/A, ES2, LXE/A, L1/A, PX/A, QX/A, QXE/A, SX/A, SXE/A, S1/A, VX/A, VXU/A |
| | | | | | 1 | 1 | - | 2143684 | ----- | ES1, HX, LKE, LXE, LXZ, L1, PX, P1, QX, QXE, QXEB, Q1, SWX, SX, SXE, S1, VAA, VAAE, VNG, VX, V1 |
| | | | | | 1 | - | - | 2338523 | ----- | VXG |
| | | | | | 1 | - | - | 2143684 | 2338523 | ----- |
| | A | | 87530-ZL8-850 | | 1 | 1 | - | 4110468 | ----- | ED9/A, ES1/A, ES2, LXE/A, L1/A, PX/A, QX/A, QXE/A, SX/A, SXE/A, S1/A, VX/A, VXU/A |
| E-28-3 | 8 | | 87532-ZH8-810 | MARK, OIL ALERT (ENGLISH) | 1 | - | - | ----- | ----- | HAQ, HA2, HA2/A, HX2, LX2, LX2/A, QAE2, QAP2, QAQ, QA2, QNE2, QNE9, QNE9/A, QN18, QPE2, QXC/A, QXC9, QXE2, QX2, VAW1, VA2, VA2/A, VDE, VWE, VXE2, VXE2/A |
| | | | | | 1 | - | - | 3930787 | ----- | QAE2/A, QAP2/A, QA2/A, QNE2/A, QXC9/A |
| | | | | | 1 | - | - | 4110467 | ----- | LX/A, VXE/A |
| | | | | | 1 | - | - | 2143684 | ----- | HA, LX, QA, QAE, QAP, QAPE, QNE, QXC, SXP, VA, VXA, VXE |

NOTE A:PART NO. CHANGE D:NEWLY PROVIDED E:PART NO. DELETION K:REQUIRED NO. CORRECTION L:APPLICATION SERIAL NO. CORRECTION
T:APPLICATION CORRECTION Z:REMARKS CHANGE

PARTS CATALOGUE NEWS

BOOKNo. : 17ZE30E9

| Block No. | Ref. No. | Note | Part No. | Description | Reqd. QTY | | | Serial No. | Parts catalogue code |
|-----------|----------|------|---------------|-------------|-----------|-----|-----|---------------|----------------------|
| | | | | | (1) | (2) | (3) | | |
| | | A | 87530-ZL8-850 | | 1 | - | - | 4110468 ----- | LX/A, VXE/A |

NOTE A:PART NO. CHANGE D:NEWLY PROVIDED E:PART NO.DELETION K:REQUIRED NO. CORRECTION L:APPLICATION SERIAL NO. CORRECTION
 T:APPLICATION CORRECTION Z:REMARKS CHANGE



PARTS CATALOGUE NEWS

Honda Motor Co., Ltd. Service Division

PARTS CATALOGUE - CORRECTED

Printed in Japan

| | |
|----------------------|--|
| CODE NO. | 17ZE30E9 |
| PARTS CATALOGUE NEWS | GX340K1 GX340K1 [PROPANE ENGINE] |
| NEWS NO. | 002 |

| Block No. | Ref. No. | Note | Part No. | Description | Reqd. QTY | | | Serial No. | Parts catalogue code | |
|-----------|---------------|-------------------------------|---------------|-------------------------------|-----------|---------------|--------------------|------------------------------|--|-----|
| | | | | | (1) | (2) | (3) | | | |
| E-16-3 | 1 | | 18310-ZD1-E31 | MUFFLER COMP. | 1 | - | - | ----- | EDS, EDS1, EDS2, EDS2/A, EDS3, EDS6, EDS6/A, EDT, EDT/A, EDT1, EDT2, EDT6, EDT6/A, EMT, ES3, ES4, VAA, VAAE, VMT | |
| | | | | | 1 | - | - | ----- | 2374605 ED6 | |
| | | | | | 1 | - | - | ----- | 4115280 EDS1/A, EDS4, EDT1/A, EDT3, EMT/A, ES3/A, ES4/A, VMQ, VMT/A | |
| | | | 18310-ZE2-V60 | MUFFLER COMP. (TSURUMI) | 1 | - | - | ----- | ED6/A, ENT, ENT/A, ENT2, EN6, EN6/A, VTE2 | |
| | | | | | 1 | - | - | ----- | 4114698 VS2, VS3, VS4, VS5, VS6, VS7 | |
| | | | | | 1 | - | - | 2374606 | ----- | ED6 |
| | | | | | A | 18310-ZD1-E32 | MUFFLER COMP. | 1 | - | - |
| A | 18310-ZE2-V61 | MUFFLER COMP. (TSURUMI) | 1 | - | - | 4114699 | ----- | VS2, VS3, VS4, VS5, VS6, VS7 | | |

NOTE A:PART NO. CHANGE D:NEWLY PROVIDED E:PART NO. DELETION K:REQUIRED NO. CORRECTION L:APPLICATION SERIAL NO. CORRECTION
T:APPLICATION CORRECTION Z:REMARKS CHANGE



PARTS CATALOGUE NEWS

Honda Motor Co., Ltd. Service Division

PARTS CATALOGUE - CORRECTED

Printed in Japan

| | |
|----------------------|--|
| CODE NO. | 17ZE30E9 |
| PARTS CATALOGUE NEWS | GX340K1 GX340K1 [PROPANE ENGINE] |
| NEWS NO. | 003 |

| Block No. | Ref. No. | Note | Part No. | Description | Reqd. QTY | | | Serial No. | Parts catalogue code |
|-----------|----------|------|---------------|-------------------------------|-----------|-----|-----|-----------------|--|
| | | | | | (1) | (2) | (3) | | |
| E-3 | 2 | | 15510-ZE2-053 | SWITCH ASSY., OIL LEVEL | 1 | - | - | ----- 4121257 | EDT3, ES2, VS2, VS7 |
| | | | | | 1 | - | - | 4074479 4121257 | EDK, EDS1/A, EDS4, EDT1/A, ED9/A, EMT/A, ES1/A, ES3/A, ES4/A, LX/A, LXE/A, PX/A, QX/A, QXE/A, STJ/A, SX/A, SXE/A, VMQ, VMT/A, VS3, VS4, VS5, VS6, VX/A, VXE/A, VXX, VXU/A |
| | | | | | - | (1) | - | 4074479 ----- | L1/A, S1/A |
| | A | | 35480-ZF6-003 | | 1 | - | - | 4121258 ----- | EDK, EDS1/A, EDS4, EDT1/A, EDT3, ED9/A, EMT/A, ES1/A, ES2, ES3/A, ES4/A, LX/A, LXE/A, PX/A, QX/A, QXE/A, STJ/A, SX/A, SXE/A, VMQ, VMT/A, VS2, VS3, VS4, VS5, VS6, VS7, VX/A, VXE/A, VXX, VXU/A |

NOTE A:PART NO. CHANGE D:NEWLY PROVIDED E:PART NO.DELETION K:REQUIRED NO. CORRECTION L:APPLICATION SERIAL NO. CORRECTION
T:APPLICATION CORRECTION Z:REMARKS CHANGE