

GENERAL PURPOSE ENGINE

**GX630
GX660
GX690**

PARTS CATALOGUE

1

FOREWORD INDEX

1

ENGINE GROUP

2

PART NUMBER INDEX

3

PART NAME INDEX

4

Instruction for use of parts catalogue

- **This parts catalogue was prepared based on the latest information available as of June 25, 2010.**
- See the parts catalogue news for any revision that is made after June 25, 2010.
- **Always specify the part number when ordering a part.**
- Check the model, type, serial numbers, color, maker, and the size as needed before ordering a part.
- Note that the illustrations (part drawings) can differ from the actual parts in shape. They are given just to help you to refer to the parts.
- **When modifications or additions to this parts catalogue are made, a revised edition will be issued at an appropriate time, with successively progressing revision numbers on the cover. We recommend obtaining such revisions in order to keep your parts catalogue up-to-date at all times. To check whether a parts catalogue revision has been issued, please contact your Honda distributor.**

Initial version issue date **June 25, 2010**
Honda Motor Co., Ltd.

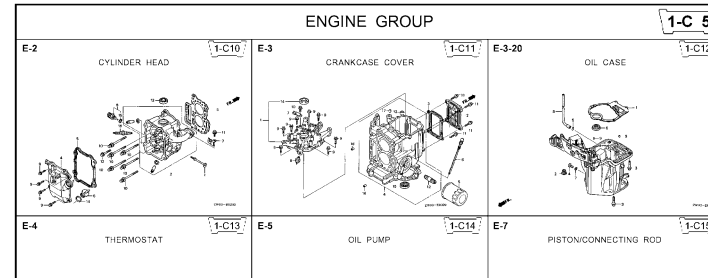
CONTENTS

	Page	Address No.	
● Instruction for use of parts catalogue	1	B 1	1
● How to refer to the part information	2	B 2	
● Part catalogue structure	3	B 3	
● When the parts were revised	4	B 4	
● Abbreviations used in the parts catalogue	4	B 4	
● How to check the part block and serial numbers	5	B 5	
● Models, parts catalogue codes and applicable serial numbers	6	B 6	
● Features of each type	7	B 7	
● Fuel hose, general purpose hoses and vinyl hose	9	B 9	
● Illustrated index	10	B10	
● ENGINE GROUP	13	C 1	2
● PART NO. INDEX	54	F 1	3
● PART NAME INDEX	56	G 1	4



How to refer to the part information

A Reference with "Illustrated index"



B Reference with "Part number index"

PART NO. INDEX					
Part Number	Address	Page	Ref.	Part Number	Address Page
06000				15212-ZW9-000	1-C14 3C
06316-ZW9-000	1-69	88	1	15220-ZW9-003	1-C14 3C
11000				15332-ZW9-000	1-E8 55
11300-ZW9-405	1-C11	27	1	15332-ZW9-A30	1-E11 5E
11300-ZW9-406	1-C11	27	1	15400-PF8-004	1-C11 27
11340-ZW9-000	1-C11	27	2	15422-ZW9-000	1-C14 3C
11342-ZW9-000	1-C11	27	3	15473-881-000	1-C14 3C
11381-ZW9-003	1-C12	28	1	15474-ZW9-000	1-C14 3C
				15611-921-000	1-C10 2E
				15655-ZW9-000	1-C11 27
12000				16000	
12000-ZW9-405ZA	1-C11	27	4	16010-ZV4-005	1-D4 3E
12155-ZV4-A00	1-C13	29	1	16011-ZV4-005	1-D4 3E
12166-ZW9-000	1-C10	26	1	16013-ZW9-003	1-D4 3E
12209-GB4-681	1-C16	32	1	16016-ZW9-003	1-D4 3E
12210-ZW9-405ZA	1-C10	26	2	16016-ZW9-721	1-D4 3E
12216-ZE2-300	1-E8	55	1	16023-ZW9-003	1-D4 3E
	1-E11	58	1	16024-ZV4-650	1-D4 3E
				16028-ZV4-650	1-D4 3E

Ref. No.	Part No.	Description	Reqd. QTY						Serial No.	Parts catalogue code
			99D1	99D1	100D1	100D1	100D1	100D1		
1	12166-ZW9-000	STOPPER, ENGINE SIDE	2	2	2	2	2	2		
2	12210-ZW9-000ZA	HEAD COMP., CYLINDER	1	1	1	1	1	1		
3	12251-ZW9-003	GASKET, CYLINDER HEAD	1	1	1	1	1	1		
4	12310-ZW9-000	COVER COMP., HEAD	1	1	1	1	1	1		
5	12312-ZW9-000	PACKING, HEAD COVER	1	1	1	1	1	1		
6	15611-921-000	CAP, OIL (NO GAUGE)	1	1	1	1	1	1		
7	16617-ZW9-000	HOLDER, CABLE	1	1	1	1	1	1	SC,SG	
	16617-ZW9-010		1	1	1	1	1	1	1001800 LHC,LHD	
			1	1	1	1	1	1	1001801 LHC,LHD	
8	35675-ZW5-003	SENSOR ASSY., WATER	1	1	1	1	1	1		
9	90003-ZW9-000	BOLT, FLANGE, 6X22	1	4	4	4	4	4		
10	90007-ZW9-003	BOLT, FLANGE, 8X83	6	6	6	6	6	6		
11	90011-ZW9-000	BOLT, FLANGE, 6X14(CT200)	1	1	1	1	1	1		
12	90020-ZW9-000	BOLT, FLANGE, 8X40	2	2	2	2	2	2		
13	91202-KJ9-003	OIL SEAL, 20X32X6	1	1	1	1	1	1		
14	91301-805-000	O-RING, 26X2.7	1	1	1	1	1	1		
15	91307-PK2-005	O-RING, 9.5X1.5(HONDA KIKAKI)	1	1	1	1	1	1		
16	98059-55916	PLUG, SPARK (CR5EH-9)	2	2	2	2	2	2		
	98059-55926	PLUG, SPARK (U16FER9)	2	2	2	2	2	2		

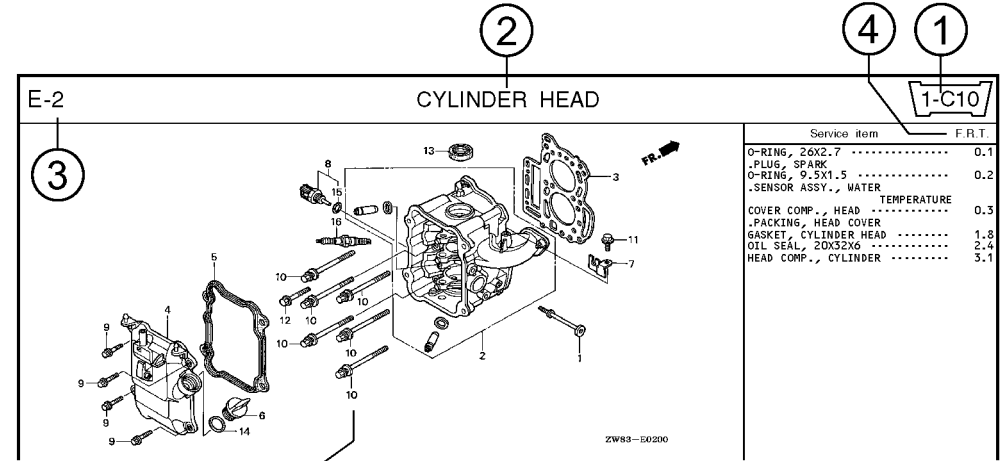
C Reference with "Part name index"

PART NAME INDEX					
Part name	Address	Page	Ref.		
[A]				BOLT,	
ABSORBER , FUEL	1-E15	62	5	BOLT,	
ARMATURE COMP.	1-D11	43	7	BOLT,	
ARM COMP. , LINK JOINT	1-G6	85	18	BOLT,	
ARM COMP. , SHIFT LINK	1-G6	85	14	BOLT,	
ARM COMP. , TILT	1-F15	79	20		
ARM , FUEL PUMP ROCKER	1-C16	32	4		
ARM , REVERSE LOCK	1-F15	79	18		
ARM , SHIFT LINK	1-F11	74	7		
ARM , STOPPER	1-D1	33	12	BOLT,	
ARM , THROTTLE REMOTE	1-F11	74	6		
ARM , VALVE ROCKER	1-C16	32	3		
[B]					
BAG , TOOL , 160MM	1-G5	84	10		
BAND	1-G6	86	37		
BAND B1 , WIRE	1-F6	69	1		
BAND , CORD	1-F3	67	18	BOLT,	
BAND , TUBE CLIP , 11MM	1-E15	63	20		
BAND , TUBE CLIP , 12.5MM	1-E15	63	19	BOLT,	

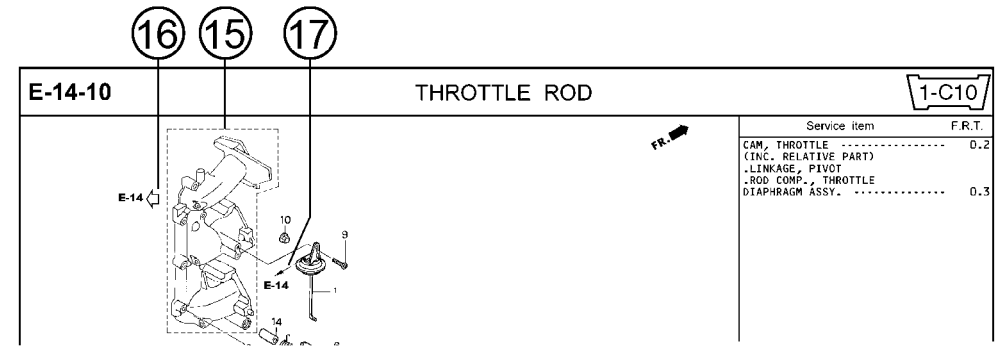
Page No.

2000.09.20 E

Part catalogue structure



Ref. No.	Part No.	Description	Reqd. QTY						Serial No.	Parts catalogue code
			BF 9/9D1	BFP 9/9D1	BF 10D1	BFP 10D1	BF 10B1	BFP 10B1		
1	12166-zw9-000	STOPPER, ENGINE SIDE	2	2	2	2	2	2		
2	12210-zw9-000ZA	HEAD COMP., CYLINDER *NHS* DARK GRAY	1	1	1	1	1	1		
3	12251-zw9-003	GASKET, CYLINDER HEAD	1	1	1	1	1	1		
4	12310-zw9-000	COVER COMP., HEAD	1	1	1	1	1	1		
5	12312-zw9-000	PACKING, HEAD COVER	1	1	1	1	1	1		
6	15611-921-000	CAP, OIL (NO GAUGE)	1	1	1	1	1	1		
7	16617-zw9-000	HOLDER, CABLE	1	1	1	1	1	1	SC,SG	
	16617-zw9-010		1	1	1	1	1	1	1001800 LHC,LHD	



- ① **Address number**
 - Address No. is provided (in place of the page No.) to help you refer to the part with the part No. or part name.
- ② **Block title** ③ **Block number**
- ④ **Service item/Flat rate time**
- ⑤ **Reference number**
 - Title number marked with the parenthesis or parentheses indicates that it continues from the previous page.
- ⑥ **Part number** ⑦ **Honda color code**
- ⑧ **Description**
- ⑨ **Assemblies**
 - Sections framed with broken lines in the exploded view drawings are available as complete assemblies. (Their individual parts can also be obtained.)
- ⑩ **Color description**
- ⑪ **Note**
 - Notes are shown with the parentheses in the part name column.
- ⑫ **Required quantity**
 - Required QTY shown in the parenthesis or parentheses indicates the optional part.
 - Required QTY marked with "N" Indicates the optional part that should be selected as needed.
 - Required QTY indicates the number of the part used in the block.
- ⑬ **Serial number**
- ⑭ **Type**
 - When the type column is blank, it indicates that the part is applicable to all types.
 - As the type of the actual unit may differ from the "parts catalogue, type" please refer to "Models, types and applicable serial numbers" for confirmation.
- ⑮
 - Parts enclosed within a dotted line are covered in a different block.
- ⑯
 - A hollow arrow indicates the block No. for the parts enclosed within a dotted line .
- ⑰
 - A solid arrow indicates the block No. the part in question is connected to.

When the parts were revised

Abbreviations used in the parts catalogue

1



Be sure to check the serial number!!



Ref. No.	Part No.	Description	Reqd. QTY						Serial No.
			BF 99D1	BFP 9.9D1	BF 10D1	BFP 10D1	BF 10B1	BFP 10B1	
1	12166-ZW9-000	STOPPER, ENGINE SIDE	2	2	2	2	2	2	
2	12210-ZW9-000ZA	HEAD COMP., CYLINDER *NHS* DARK GRAY	1	1	1	1	1	1	
3	12251-ZW9-003	GASKET, CYLINDER HEAD	1	1	1	1	1	1	
4	12310-ZW9-000	COVER COMP., HEAD	1	1	1	1	1	1	
5	12312-ZW9-000	PACKING, HEAD COVER	1	1	1	1	1	1	
6	15611-921-000	CAP, OIL (NO GAUGE)	1	1	1	1	1	1	
7	16617-ZW9-000	HOLDER, CABLE (###)	1	1	1	1	1	1	SC, SG LHC, LHD LHC, LHD
	16617-ZW9-010	1	1	1	1	1	1	

The number has been used from the initial model without revision.

When shown at the left side, it is applicable to the models of No.1001801 and the subsequent numbers.

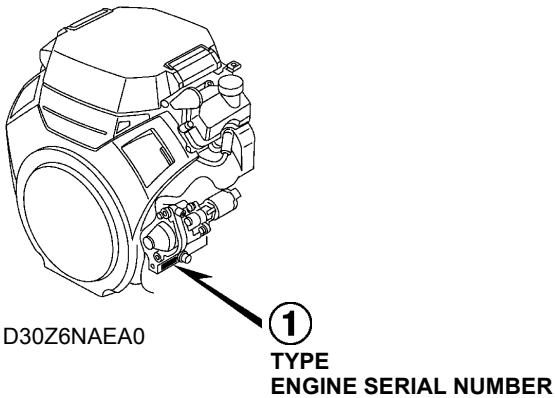
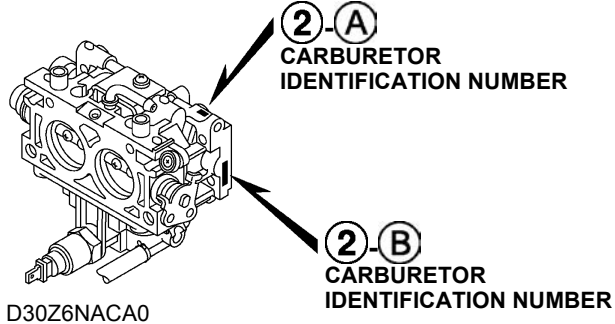
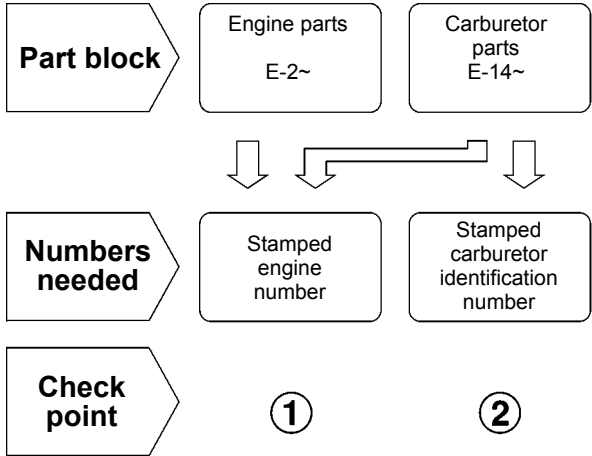
When shown at the right side, it is applicable to the models up to No.1001800.

• The parts listed with "###" at the end of the parts name have limited supply period (parts not for sale).

• The following abbreviations are used in the parts name column.

- | | |
|--|-----------------------------|
| A Ampere | FR.Front |
| A.C. Alternating current | IN.Inlet |
| ASSY. Assembly | L (100L) .Link (100 Links) |
| AT. Automatic transmission | L.Left |
| C.D.I. Capacitive discharge ignition | MMMillimeter |
| COMP. ... Complete | MT.Manual Transmission |
| D.C. Direct current | P.T.O.Power take off |
| EX. Exhaust | R.Right |
| G.F.C.I ... Ground fault circuit interruptor | RR.Rear |
| HEX. Hexagonal | STD.Standard |
| H.S.T. Hydrostatic transmission | T (22T) ...Tooth (22 Teeth) |
| | VVolt |
| | WWatt |

How to check the part block and serial numbers



Models, parts catalogue codes and applicable serial numbers

- Models, parts catalogue codes and applicable serial Nos. given in this parts catalogue can be identified as follows.

Model	Type	Parts catalogue type	Applicable engine serial No.	Applicable carburetor identification No.	Model	Type	Parts catalogue type	Applicable engine serial No.	Applicable carburetor identification No.
GX630	QAFH	QAFH	GCBBK-1000001~	BK07A A	GX660	BAFH	BAFH	GCBCK-1000001~	BK06A A
	QKF	QKF				TAFH	TAFH		
	QKW1	QKW1				TAF5	TAF5		
	QKW2	QKW2				TDW1	TDW1		
	QWD	QWD				TKW1	TKW1		
	QWF	QWF				TXF3	TXF3		
	QZK	QZK				VAY	VAY		
	SAE1	SAE1				VXEH	VXEH		
	VAY	VAY							
	VEPH	VEPH							
	VXAH	VXAH							
	VXC	VXC	GDABK-1000001~	BKL2B A	GX690	BAFH	BAFH	GCBDK-1000001~	BK05A A
	VXC2	VXC2				TAFH	TAFH		
	VYE3	VYE3	GCBBK-1000001~	BK07A A		TAF5	TAF5		
VZE1	VZE1	TDW1				TDW1			
VZE8	VZE8	TKW1				TKW1			
		TXF3				TXF3			
		VAY				VAY			
		VXC				VXC			
		VXC2				VXC2			
		VXEH				VXEH			
		VYE3	VYE3						
				GDACK-1000001~	BKL2A A				
				GCBDK-1000001~	BK05D A				
					BK05A A				

* Of carburetor identification numbers, only the portions underlined in the example below are used for registration.

BK 07A A KC ナ
 (A) (B)

Features of each type

• See the following table for the features of each type. (Items in brackets are optional)

Specifications		Model	GX630															
		Type	QAFH	QKF	QKW1	QKW2	QWD	QWF	QZK	SAE1	VAY	VEPH	VXAH	VXC	VXC2	VYE3	VZE1	VZE8
Crankshaft	25.4 mm Ø Straight (L=138)		●	●	●	●	●	●	●									
	28.575 mm Ø Straight (L=162)																	
	36.5 mm Ø Straight (L=175.2)																	
	5/16" Tapered										●	●	●	●	●	●	●	
	25 mm Ø Straight (L=129)									●								
	M10 Tapered																	●
Muffler	High-R	(●)	(●)	(●)	(●)		●	(●)		(●)	(●)	(●)	(●)	(●)		(●)	(●)	
	High-L	(●)	(●)	(●)	(●)			(●)	●	(●)	(●)	(●)	(●)	(●)	●	(●)	(●)	
	Side mount					●						(●)						
Spark arrester			(●)	(●)	(●)	(●)		(●)		(●)	(●)	(●)	(●)	(●)	●	(●)	(●)	
Deflector kit												(●)						
Control box			●		●				●		●	●	●			●		

Specifications		Model	GX660							
		Type	BAFH	TAFH	TAF5	TDW1	TKW1	TXF3	VAY	VXEH
Crankshaft	25.4 mm Ø Straight (L=138)									
	28.575 mm Ø Straight (L=162)			●	●	●	●	●		
	36.5 mm Ø Straight (L=175.2)		●							
	5/16" Tapered							●	●	
	25 mm Ø Straight (L=129)									
	M10 Tapered									
Muffler	High-R	(●)	(●)		(●)	(●)		(●)	(●)	
	High-L	(●)	(●)	●	(●)	(●)	●	(●)	(●)	
	Side mount									
Spark arrester			(●)	(●)		(●)	(●)		(●)	(●)
Deflector kit										
Control box			●	●			●	●	●	●

1

Specifications		Model	GX690										
		Type	BAFH	TAFH	TAF5	TDW1	TKW1	TXF3	VAY	VXC	VXC2	VXEH	VYE3
Crankshaft	25.4 mm Ø Straight (L=138)												
	28.575 mm Ø Straight (L=162)		●	●	●	●	●						
	36.5 mm Ø Straight (L=175.2)	●											
	5/16" Tapered							●	●	●	●	●	
	25 mm Ø Straight (L=129)												
	M10 Tapered												
Muffler	High-R	(●)	(●)		(●)	(●)		(●)	(●)	(●)	(●)		
	High-L	(●)	(●)	●	(●)	(●)	●	(●)	(●)	(●)	(●)	●	
	Side mount												
Spark arrester		(●)	(●)		(●)	(●)		(●)	(●)	(●)	(●)	●	
Deflector kit													
Control box		●	●			●	●	●				●	

Fuel hose, general purpose hoses and vinyl hose

- The standard part fuel hose, general purpose hose and vinyl hose may be substituted by the coiled bulk part.
- When ordering the standard part fuel hose, general purpose hose and vinyl hose use the bulk part number written in the parts catalog in brackets () underneath the part name.
- When exchanging the hose, cut and use at the specified length as mentioned in the part name.
(For the method of cutting the bulk part, and method of filling out orders etc., please refer to the instructions issued with the bulk part.)

Bulk part number of fuel hose, general purpose hose and vinyl hose.

Example: 9 5 0 0 1 - 7 5 0 0 1 - 5 0 M

Bulk part number:
Refers to the bulk part.

Marking code (fuel hose and general purpose hose)

Change code (Vinyl hose)

Indicates number mark or change sequence, however, the code for the bulk part must be strictly 0 (zero).

Types of code:

- | | | | | | |
|-------------|--|----------------|--|--------------|---|
| • Fuel hose | 2: Red outside braid
(3 mm inside dia. only) | • General hose | 1: Ash gray
2: Ash gray
3: Black
5: Black | • Vinyl hose | 1: Clear
2: Black
3: Light red
6: Light red
7: Pale black |
| | 5: Black inside braid | | | | |
| | 3: Red (3 mm inside dia. only) | | | | |
| | 4: Ash gray with red stripe
(3 mm inside dia. only) | | | | |
| | 6: Black | | | | |

Lengths:

- | | |
|---------------------|--|
| 001: 1 m (standard) | } Application or specification of some parts is not settled. |
| 003: 3 m | |
| 008: 8 m | |

I.D code: (fuel hose and general purpose hose)

- | | | | | |
|------------|--------------------|--------------------|-----------------------------|-----------------------------|
| 30: 3.0 mm | 50: 5.0 mm | 70: 7.0 mm | 11: 11 mm | 12: 12 (outside dia. 17) mm |
| 35: 3.5 mm | 55: 5.3 mm, 5.5 mm | 75: 7.3 mm, 7.5 mm | 91: 12 (outside dia. 15) mm | 14: 14 mm |
| 45: 4.5 mm | 65: 6.5 mm | 80: 8.0 mm | 92: 12 (outside dia. 16) mm | 17: 17 mm |

ID./OD. code: (vinyl hose)

- | | | | | |
|-------------------------|--------------------------|---------------------------|---------------------------|---------------------------|
| 01: ID. 2.9, OD. 6.8 mm | 12: ID. 5.0, OD. 7.0 mm | 21: ID. 8.0, OD. 9.0 mm | 37: ID. 11.0, OD. 15.0 mm | 50: ID. 16.0, OD. 19.0 mm |
| 03: ID. 3.0, OD. 6.0 mm | 10: ID. 5.0, OD. 8.0 mm | 23: ID. 8.0, OD. 12.0 mm | 38: ID. 12.0, OD. 13.0 mm | 55: ID. 17.5, OD. 20.5 mm |
| 05: ID. 3.5, OD. 6.5 mm | 11: ID. 5.0, OD. 9.0 mm | 25: ID. 9.0, OD. 11.0 mm | 39: ID. 12.0, OD. 14.0 mm | 60: ID. 22.0, OD. 27.0 mm |
| 07: ID. 4.0, OD. 7.0 mm | 14: ID. 6.0, OD. 9.0 mm | 27: ID. 9.0, OD. 13.0 mm | 40: ID. 12.0, OD. 16.0 mm | |
| 08: ID. 4.5, OD. 6.5 mm | 17: ID. 7.0, OD. 9.0 mm | 33: ID. 10.0, OD. 14.0 mm | 43: ID. 13.0, OD. 15.0 mm | |
| 09: ID. 4.5, OD. 8.0 mm | 19: ID. 7.0, OD. 11.0 mm | 36: ID. 11.0, OD. 13.0 mm | 45: ID. 14.0, OD. 18.0 mm | |

Hose type:

- 1: Fuel hose
3: Vinyl hose
5: General hose

⊙ **CAUTION: It is DANGEROUS to confuse the fuel hose with the general purpose hose or vinyl hose.**

Never use a general purpose hose or vinyl hose in place of a fuel hose or vice versa. Always use the correct bulk part in the parts catalogue, according to the service manual or the instructions issued with the bulk part.

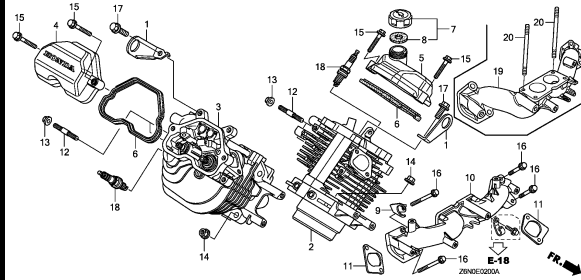
ENGINE GROUP

B10

E-2

CYLINDER HEAD

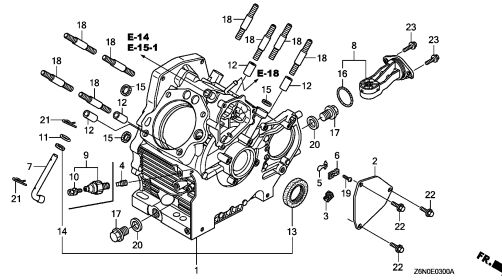
C 1



E-3

CRANKCASE

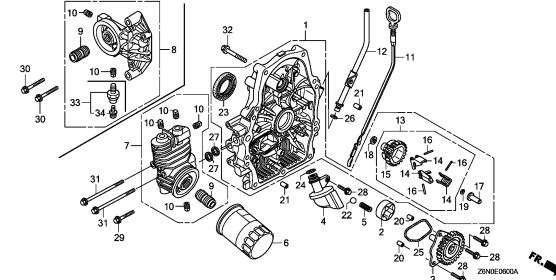
C 3



E-6

CRANKCASE COVER

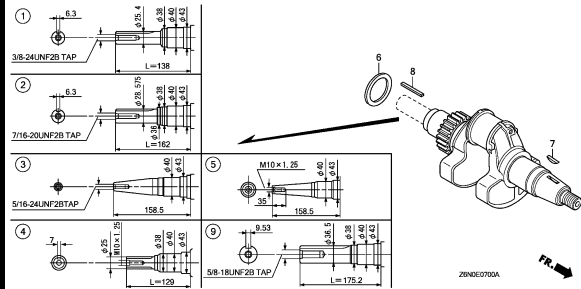
C 5



E-7

CRANKSHAFT

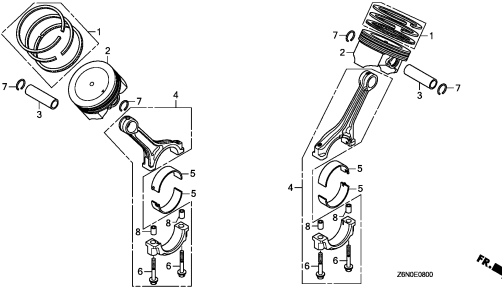
C 8



E-8

PISTON

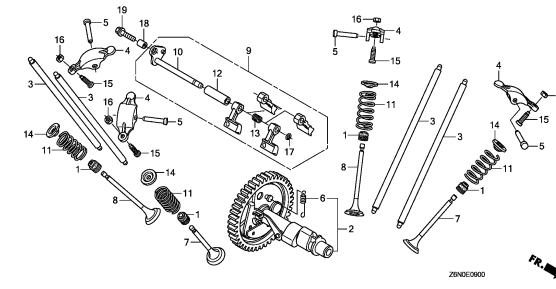
C 9



E-9

CAMSHAFT

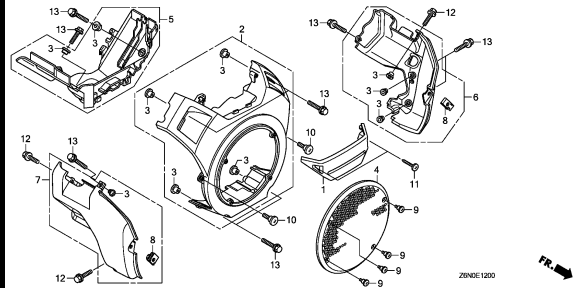
C10



E-12

FAN COVER

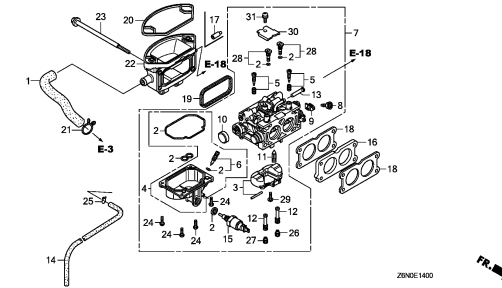
C11



E-14

CARBURETOR(1)

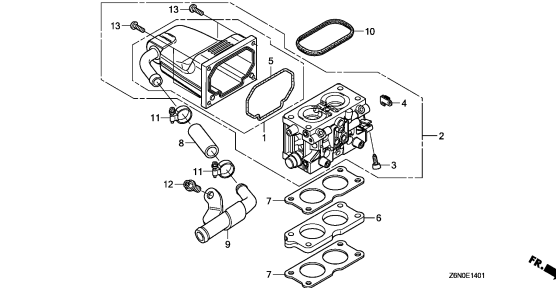
C12



E-14-1

CARBURETOR(2)

C15



2

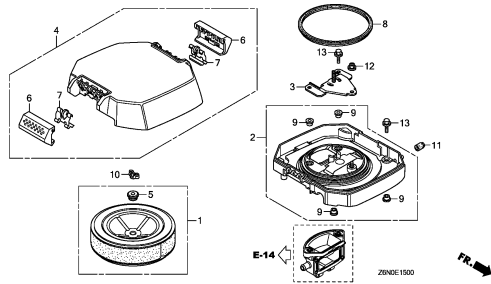
ENGINE GROUP

B11

E-15

AIR CLEANER(1)

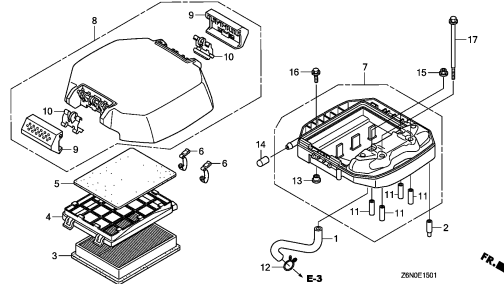
C16



E-15-1

AIR CLEANER(2)

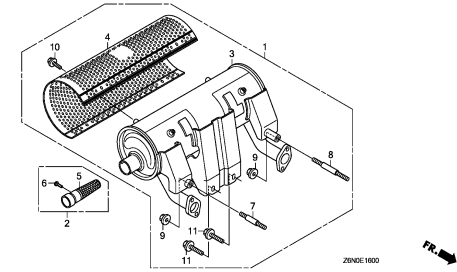
D 2



E-16

MUFFLER(HIGH-R)

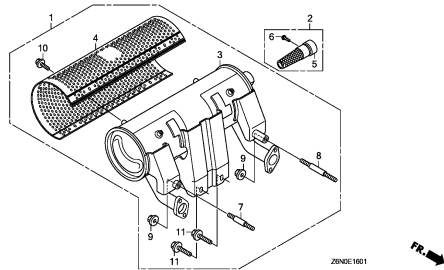
D 3



E-16-1

MUFFLER(HIGH-L)

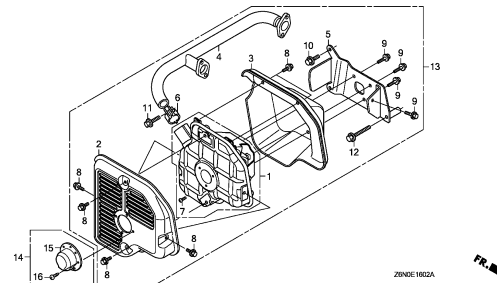
D 5



E-16-2

MUFFLER(SIDE MOUNT)

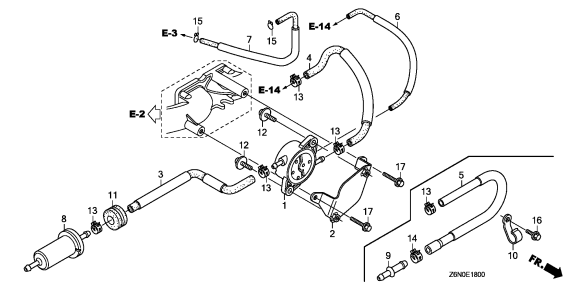
D 7



E-18

FUEL PUMP

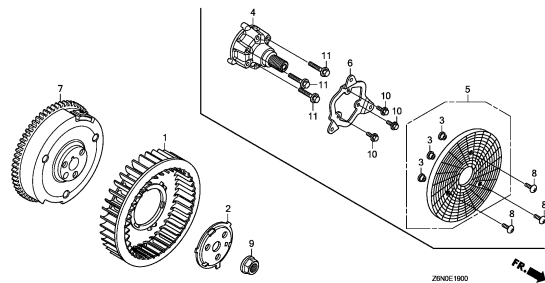
D 9



E-19

FLYWHEEL

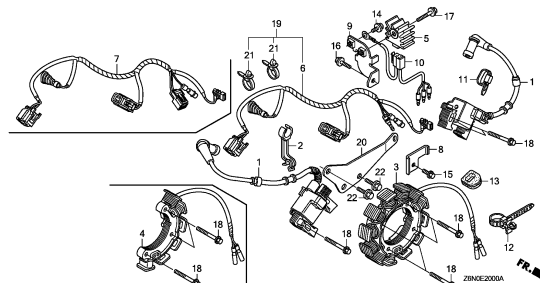
D11



E-20

IGNITION COIL

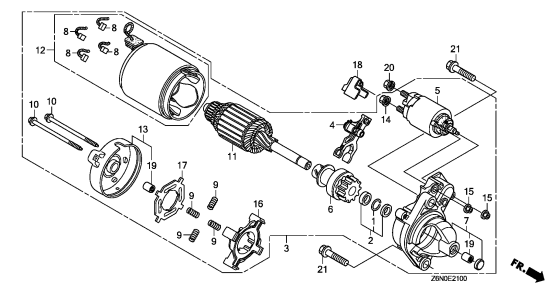
D12



E-21

STARTER MOTOR

D14



2

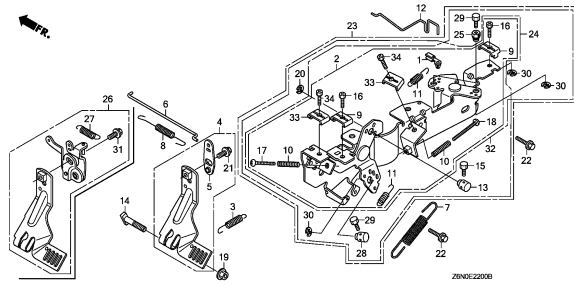
ENGINE GROUP

B12

E-22

CONTROL

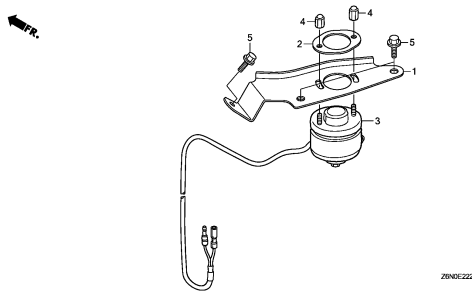
D15



E-22-20

AUTO THROTTLE

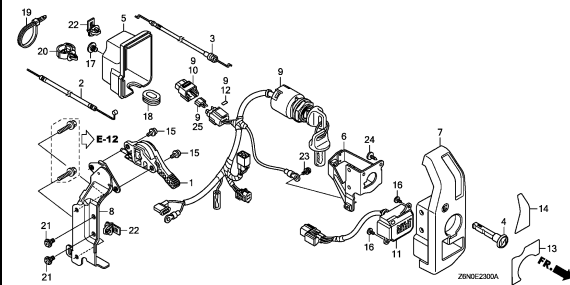
E 2



E-23

CONTROL BOX

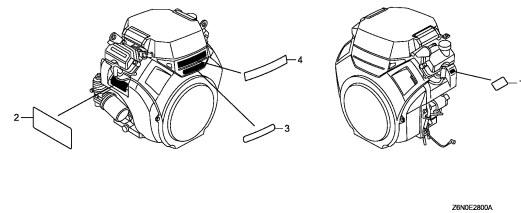
E 3



E-28

LABEL

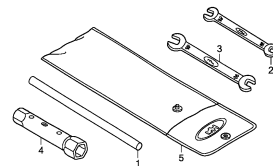
E 5



E-29

TOOL

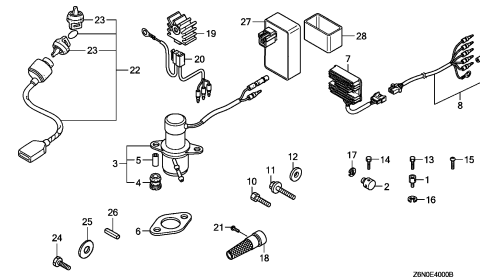
E 6



E-40

OTHER PARTS(FUEL PUMP)(REGULATOR RECTIFIER)

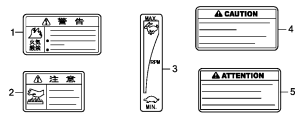
E 7



E-40-1

OTHER PARTS(LABEL)

E 9

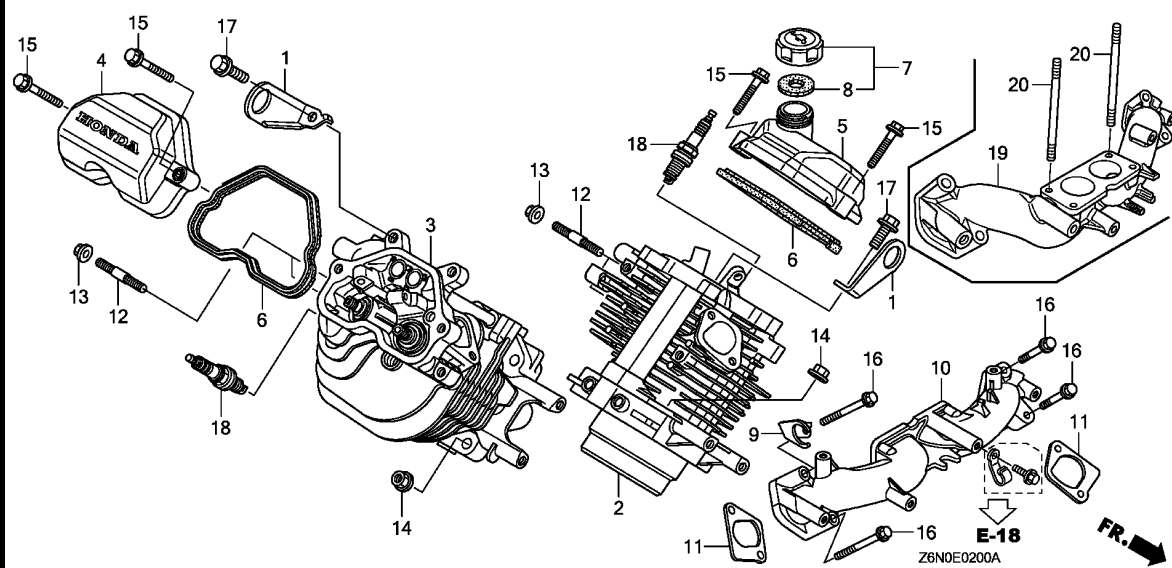


2

E-2

CYLINDER HEAD

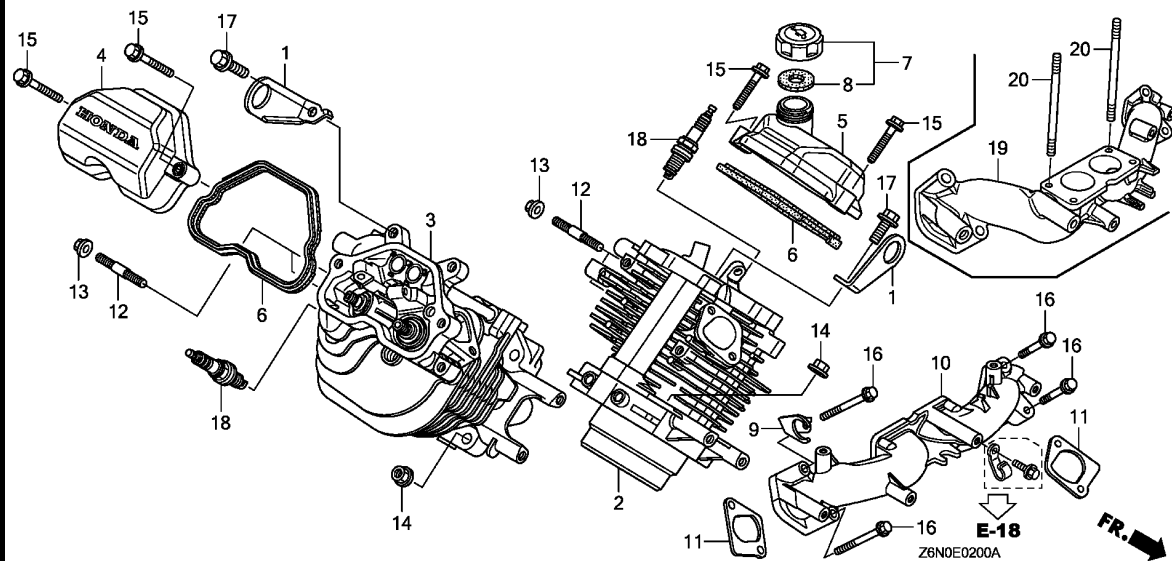
C 1



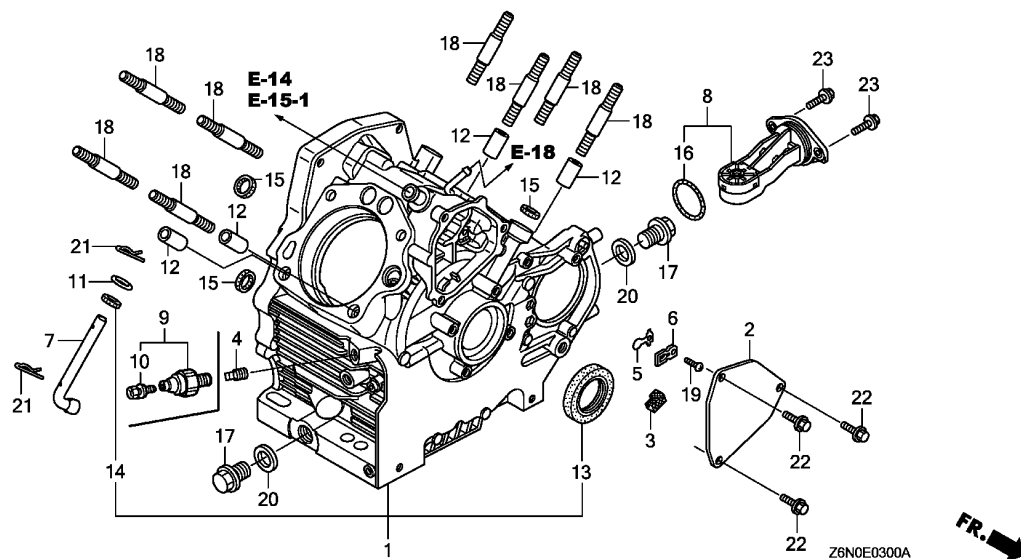
Ref. No.	L.O.N. (Relative ref. Number)	Description	F.R.T.
----------	-------------------------------	-------------	--------

Ref. No.	Part No.	Description	Reqd. QTY			Serial No.	Parts catalogue code
			GX 630	GX 660	GX 690		
1	11911-Z6L-000	HANGER, ENGINE	2	2	2		
2	12110-Z6L-000	HEAD COMP., CYLINDER (#1) ...	1	-	1	-----	BAFH,QAFH,QKF,QKW1,QKW2,QWD,QWF,QZK,SAE1,TAFH,TAF5,TDW1,TKW1,TFX3 VAY,VEPH,VXAH,VXEH,VYE3,VZE1,VZE8
	12110-Z6L-900	-	1	-	-----	VXC,VXC2
3	12120-Z6L-000	HEAD COMP., CYLINDER (#2) ...	1	-	1	-----	BAFH,QAFH,QKF,QKW1,QKW2,QWD,QWF,QZK,SAE1,TAFH,TAF5,TDW1,TKW1,TFX3 VAY,VEPH,VXAH,VXEH,VYE3,VZE1,VZE8
	12120-Z6L-900	-	1	-	-----	VXC,VXC2
4	12311-Z6L-000	COVER, CYLINDER HEAD	1	1	1		
5	12311-Z6L-800	COVER, CYLINDER HEAD	1	1	1		
6	12312-Z6L-000	PACKING, HEAD COVER	2	2	2		
7	15600-Z6L-000	CAP ASSY., OIL FILLER	1	1	1		
8	15625-Z6L-000	PACKING, OIL FILLER CAP	1	1	1		
9	16722-Z6L-000	STAY, FUEL TUBE GROMMET	1	-	1	-----	BAFH,QAFH,QKF,QKW1,QKW2,QWD,QWF,QZK,SAE1,TAFH,TAF5,TDW1,TKW1,TFX3 VAY,VEPH,VXAH,VXEH,VYE3,VZE1,VZE8
10	17101-Z6L-000	MANIFOLD, INTAKE	1	-	1	-----	BAFH,QAFH,QKF,QKW1,QKW2,QWD,QWF,QZK,SAE1,TAFH,TAF5,TDW1,TKW1,TFX3 VAY,VEPH,VXAH,VXEH,VYE3,VZE1,VZE8
			-	1	-		
11	17151-Z6L-000	PACKING, INTAKE MANIFOLD	2	2	2		
12	92900-08022-0E	BOLT, STUD, 8X22	4	4	4		
13	94050-08000	NUT, FLANGE, 8MM	4	4	4		
14	94050-10000	NUT, FLANGE, 10MM	8	8	8		
15	95701-06030-00	BOLT, FLANGE, 6X30	4	4	4		
16	95701-06050-00	BOLT, FLANGE, 6X50	4	4	4		





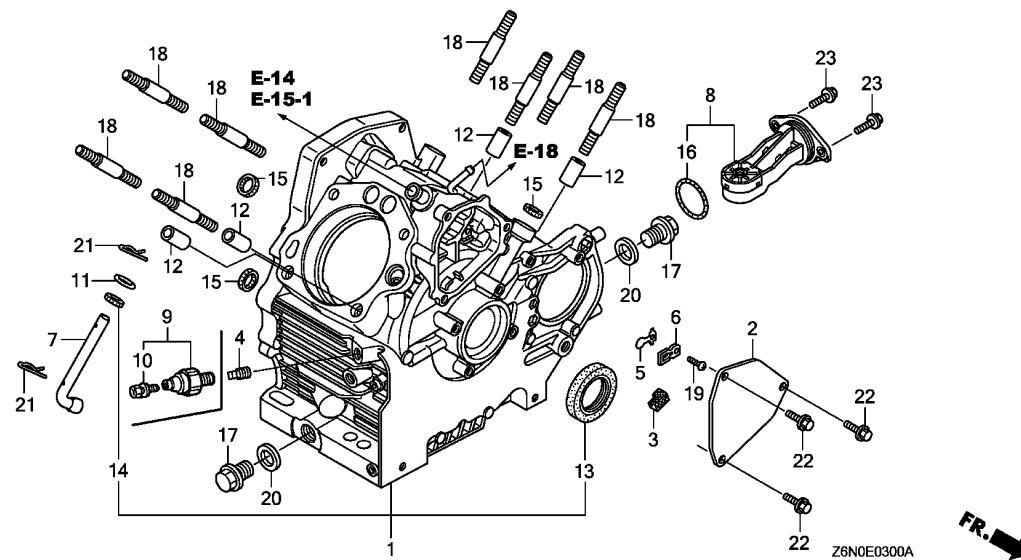
Ref. No.	Part No.	Description	Reqd. QTY			Serial No.	Parts catalogue code
			GX 630	GX 660	GX 690		
17	95701-08016-00	BOLT, FLANGE, 8X16	2	2	2		
18	98079-5547G	PLUG, SPARK (ZFR5F-4)	2	-	2	-----	VXC,VXC2
	98079-5587G	PLUG, SPARK (ZFR5F)	2	-	2	-----	BAFH,QAFH,QKF,QKW1,QKW2,QWD,QWF,QZK,SAE1,TAFH,TAF5,TDW1,TKW1,TF3 VAY,VEPH,VXAH,VXEH,VYE3,VZE1,VZE8
19	17101-Z6M-000	MANIFOLD, INTAKE	1	-	1	-----	VXC,VXC2
20	90043-Z6L-000	BOLT, STUD, 6X106	2	-	2	-----	VXC,VXC2



Ref. No.	L.O.N.	(Relative ref. Number) Description	F.R.T.
----------	--------	------------------------------------	--------

Ref. No.	Part No.	Description	Reqd. QTY			Serial No.	Parts catalogue code	
			GX 630	GX 660	GX 690			
1	11100-Z6L-000	CRANKCASE ASSY.	1	1	1	-----	BAFH,QAFH,QKF,QKW1,QKW2,QWD,QWF,SAE1,TAFH,TDW1,TKW1,VAY	
	11100-Z6L-800	1	1	1	-----	QZK,TFX3,VEPH,VXAH,VXEH,VYE3,VZE1,VZE8	
	11100-Z6L-810	1	1	1	-----	TAF5,VXC	
	11100-Z6L-820	1	-	1	-----	VXC2	
2	12356-Z6L-000	COVER, BREATHER	1	1	1	-----		
3	12367-Z6L-000	FILTER, BREATHER	1	1	1	-----		
4	15424-Z6L-000	BOLT, SEALING	1	1	1	-----	QWF,QZK,TDW1,VEPH,VXAH,VXC2,VXEH,VYE3,VZE1,VZE8	
			1	-	-	1000099	-----	QWD
5	15571-ZM7-003	VALVE, OIL OUTLET	1	1	1	-----		
6	15572-Z6L-000	PLATE, STOPPER	1	1	1	-----		
7	16541-Z6L-000	SHAFT, GOVERNOR ARM	1	-	1	-----	BAFH,QAFH,QKF,QKW1,QKW2,QWD,QWF,QZK,SAE1,TAFH,TAF5,TDW1,TKW1,TFX3,VAY,VEPH,VXAH,VXEH,VYE3,VZE1,VZE8	
	16541-Z6L-010	-	1	-	-----	VXC,VXC2	
8	35480-Z6L-003	SWITCH ASSY., OIL LEVEL	1	1	1	-----	QZK,TFX3,VEPH,VXAH,VXC2,VXEH,VYE3,VZE1,VZE8	
9	37240-ZG5-004	SWITCH, OIL PRESSURE	1	1	1	-----	BAFH,QAFH,QKF,QKW1,QKW2,SAE1,TAFH,TAF5,TKW1,TFX3,VAY,VXC	
			1	-	-	1000098	-----	QWD
10	90002-ZG5-004	SCREW-WASHER, 4X8	1	1	1	-----	BAFH,QAFH,QKF,QKW1,QKW2,SAE1,TAFH,TAF5,TKW1,TFX3,VAY,VXC	
			1	-	-	1000098	-----	QWD
11	90404-Z6L-000	WASHER, PLAIN (10MM)	1	1	1	-----		
12	90709-Z6L-000	DOWEL PIN, 12X20	4	4	4	-----		
13	91201-Z6L-003	OIL SEAL, 38X58X9	1	1	1	-----		
14	91203-Z6L-003	OIL SEAL, 10X16X5	1	1	1	-----		
15	91308-Z6L-003	PACKING, OIL PASS	3	3	3	-----		
16	91309-Z6L-000	O-RING, 37.9X2.4	1	1	1	-----	QZK,TFX3,VEPH,VXAH,VXC2,VXEH,VYE3,VZE1,VZE8	
17	92800-20000	BOLT, DRAIN PLUG, 20MM	2	2	2	-----		



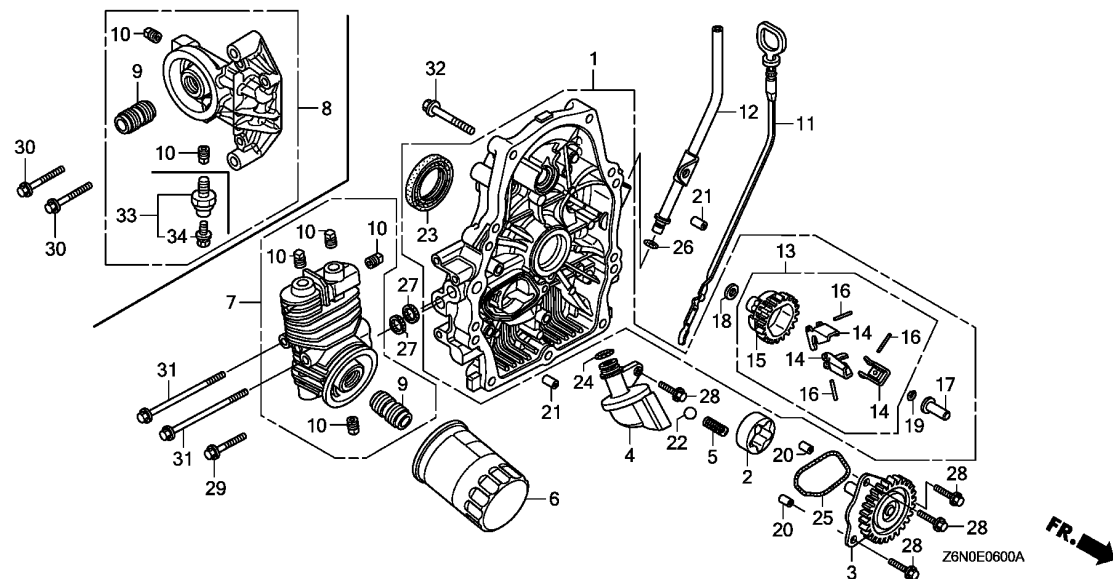


Ref. No.	Part No.	Description	Reqd. QTY			Serial No.	Parts catalogue code
			GX 630	GX 660	GX 690		
18	92900-10040-0B	BOLT, STUD, 10X40	8	8	8		
19	93500-03008-0A	SCREW, PAN, 3X8	1	1	1		
20	94109-20000	WASHER, DRAIN PLUG, 20MM	2	2	2		
21	94251-10000	PIN, LOCK, 10MM	2	2	2		
22	95701-06014-00	BOLT, FLANGE, 6X14	3	3	3		
23	95701-06016-00	BOLT, FLANGE, 6X16	2	2	2	-----	----- QZK, TXF3, VEPH, VXAH, VXC2, VXEH, VYE3, VZE1, VZE8

E-6

CRANKCASE COVER

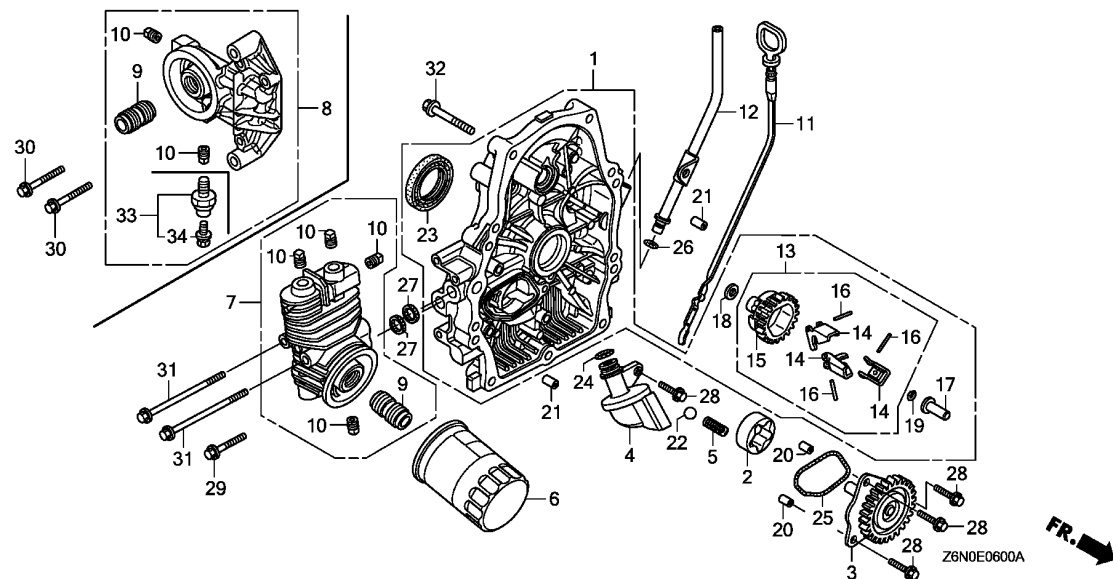
C 5



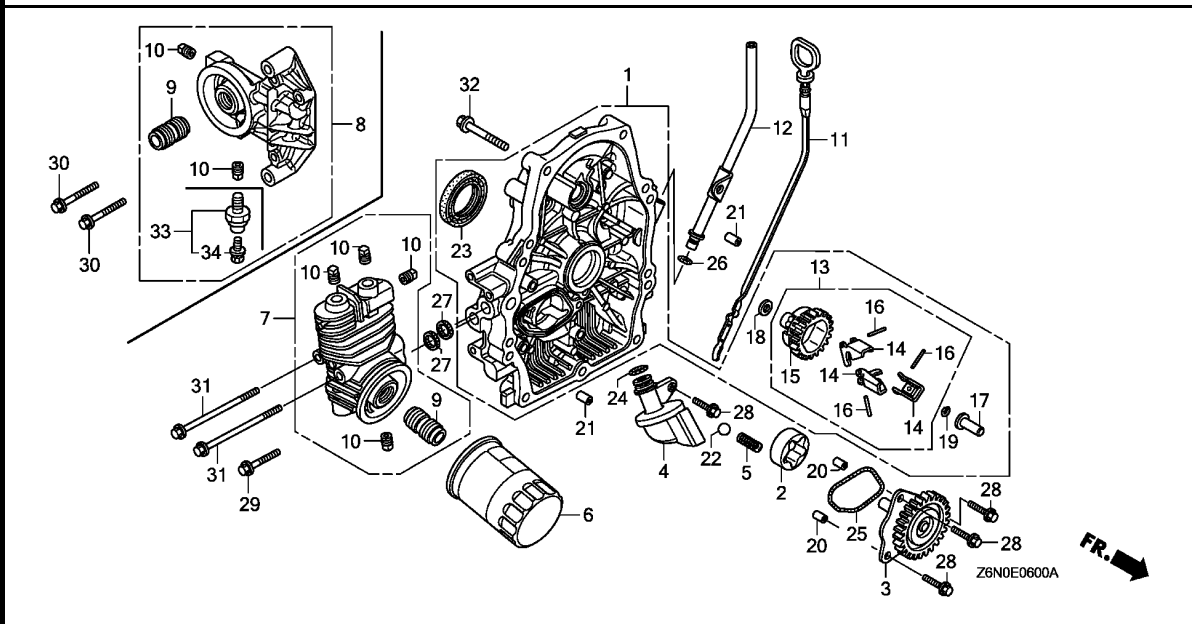
Ref. No. L.O.N. (Relative ref. Number) Description F.R.T.

Ref. No.	Part No.	Description	Reqd. QTY			Serial No.	Parts catalogue code
			GX 630	GX 660	GX 690		
1	11300-Z6L-000	COVER ASSY., CRANKCASE	1	-	1	-----	BAFH,QAFH,QKF,QKW1,QKW2,QWD,QWF,QZK,SAE1,TAFH,TAF5,TDW1,TKW1,TFX3 VAY,VEPH,VXAH,VXEH,VZE1,VZE8
	11300-Z6L-010	-	1	-	-----	VXC,VXC2,VYE3
2	15133-Z6L-000	ROTOR, OIL PUMP OUTER	1	1	1	-----	
3	15140-Z6L-000	GEAR COMP., OIL PUMP	-	1	1	-----	TAF5,TFX3,VAY
	15140-Z6L-010	1	1	1	-----	
4	15220-Z6L-000	STRAINER COMP., OIL	1	1	1	-----	
5	15232-Z6L-000	SPRING, RELIEF VALVE	1	1	1	-----	
6	15400-RTA-004	CARTRIDGE, OIL FILTER (TOYO ROKI)	1	1	1	-----	
7	15410-Z6L-000	BASE COMP., OIL FILTER	1	-	-	-----	QAFH,QKF,QKW1,QKW2,QWF,QZK,SAE1,VAY,VEPH,VXC,VXC2,VYE3,VZE1,VZE8
			-	1	1	-----	
8	15410-Z6L-800	BASE COMP., OIL FILTER	1	-	-	-----	VXAH
			1	-	-	1000098	QWD
	15410-Z6L-820	1	-	-	1000099	QWD
9	15423-Z6L-000	HOLDER, OIL FILTER	1	1	1	-----	
10	15424-Z6L-000	BOLT, SEALING	2	-	-	-----	VXAH
			2	-	-	1000098	QWD
			4	-	-	-----	QAFH,QKF,QKW1,QKW2,QWF,QZK,SAE1,VAY,VEPH,VXC,VXC2,VYE3,VZE1,VZE8
			-	4	4	-----	
			1	-	-	1000099	QWD
11	15655-Z6L-000	GAUGE COMP., OIL LEVEL	1	1	1	-----	
12	15665-Z6L-000	PIPE COMP., OIL LEVEL	1	1	1	-----	
13	16510-Z6L-000	GOVERNOR ASSY.	1	-	1	-----	BAFH,QAFH,QKF,QKW1,QKW2,QWD,QWF,QZK,SAE1,TAFH,TAF5,TDW1,TKW1,TFX3 VAY,VEPH,VXAH,VXEH,VZE1,VZE8
			-	1	-	-----	

2

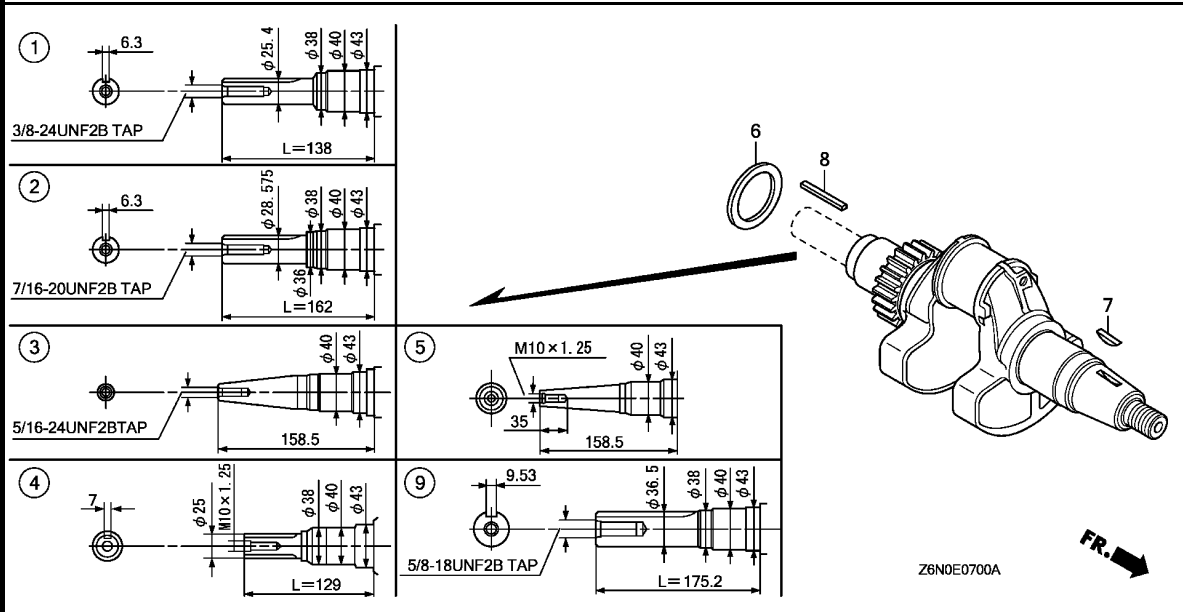


Ref. No.	Part No.	Description	Reqd. QTY			Serial No.	Parts catalogue code
			GX 630	GX 660	GX 690		
13)	16510-Z6L-010	GOVERNOR ASSY.	1	-	1	-----	VXC,VXC2,VYE3
14	16511-Z6L-300	WEIGHT, GOVERNOR	3	-	3	-----	BAFH,QAQF,QKF,QKW1,QKW2,QWD,QWF,QZK,SAE1,TAFH,TAF5,TDW1,TKW1,TFX3 VAY,VEPH,VXAH,VXE8,VZE1,VZE8
	16511-Z6L-310	-	3	-	-----	VXC,VXC2,VYE3
15	16512-Z6L-300	HOLDER, GOVERNOR WEIGHT	1	-	1	-----	BAFH,QAQF,QKF,QKW1,QKW2,QWD,QWF,QZK,SAE1,TAFH,TAF5,TDW1,TKW1,TFX3 VAY,VEPH,VXAH,VXE8,VZE1,VZE8
	16512-Z6L-310	-	1	-	-----	VXC,VXC2,VYE3
16	16513-Z6L-000	PIN, GOVERNOR WEIGHT	3	3	3		
17	16531-Z6L-000	SLIDER, GOVERNOR	1	1	1		
18	90403-Z6L-000	WASHER, 6X16	1	1	1		
19	90602-ZE1-000	CLIP, GOVERNOR HOLDER	1	1	1		
20	90707-Z6L-000	DOWEL PIN, 8X10	2	2	2		
21	90708-Z6L-000	DOWEL PIN, 8X14	2	2	2		
22	90902-Z6L-000	BALL, STEEL, #15 (15/32)	1	1	1		
23	91202-Z6L-003	OIL SEAL, 38X58X9	1	1	1		
24	91301-Z6L-003	O-RING, 14.8X2.4	1	1	1		
25	91302-Z6L-003	O-RING, OIL PUMP	1	1	1		
26	91308-PH9-000	O-RING, 8.8X1.9	1	1	1		
27	91308-Z6L-003	PACKING, OIL PASS	2	2	2		
28	95701-06020-00	BOLT, FLANGE, 6X20	4	4	4		
29	95701-06028-00	BOLT, FLANGE, 6X28	1	1	1		
30	95701-06035-00	BOLT, FLANGE, 6X35	2	-	-	-----	QWD,VXAH



Ref. No.	Part No.	Description	Reqd. QTY			Serial No.	Parts catalogue code
			GX 630	GX 660	GX 690		
31	95701-06090-00	BOLT, FLANGE, 6X90	2	-	-	-----	QAFH,QKF,QKW1,QKW2,QWF,QZK,SAE1,VAY,VEPH,VXC,VXC2,VYE3,VZE1,VZE8
32	95701-08045-00	BOLT, FLANGE, 8X45	-	2	2	-----	
33	37240-ZG5-004	SWITCH, OIL PRESSURE	1	-	-	1000099	----- QWD
34	90002-ZG5-004	SCREW-WASHER, 4X8	1	-	-	1000099	----- QWD





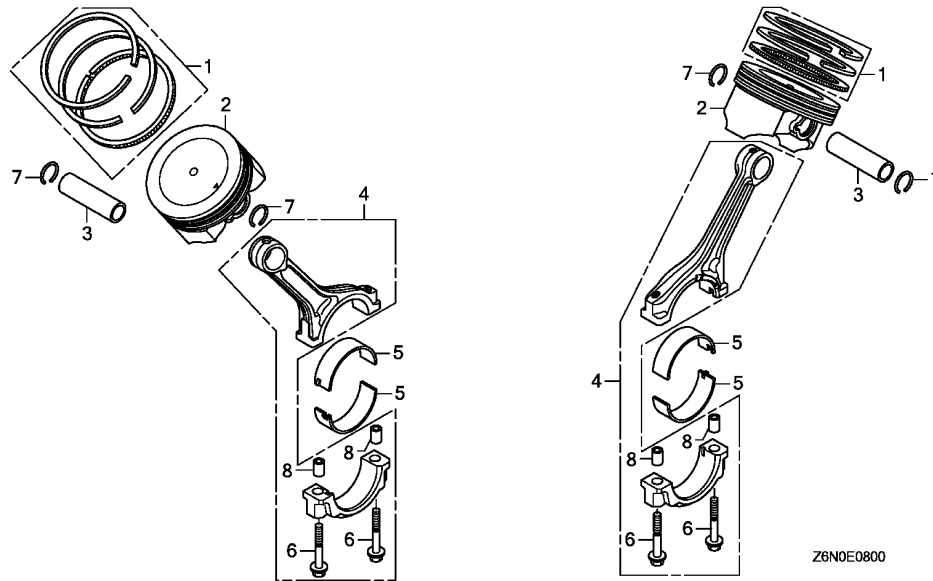
Ref. No.	L.O.N.	(Relative ref. Number) Description	F.R.T.

Ref. No.	Part No.	Description	Reqd. QTY			Serial No.	Parts catalogue code
			GX 630	GX 660	GX 690		
1	13310-Z6L-000	CRANKSHAFT COMP. (L=138)	1	-	-	-----	QAFH,QKF,QKW1,QKW2,QWD,QWF,QZK
2	13310-Z6L-600	CRANKSHAFT COMP. (L=162)	-	1	1	-----	TAFH,TAF5,TDW1,TKW1,TF3
3	13310-Z6L-620	CRANKSHAFT COMP.	1	1	1	-----	VAY,VEPH,VXAH,VXC,VXC2,VXEH,VYE3,VZE1
4	13310-Z6L-640	CRANKSHAFT COMP. (L=129)	1	-	-	-----	SAE1
5	13310-Z6L-650	CRANKSHAFT COMP.	1	-	-	-----	VZE8
6	90402-Z6L-000	WASHER, CRANKSHAFT THRUST ...	1	1	1	-----	
7	90741-ZE2-000	KEY, SPECIAL WOODRUFF, 25X18	1	1	1	-----	
8	90745-ZE2-600	KEY, 6.3X6.3X43	1	-	1	-----	QKW1,QWF,TAF5
			-	1	1	-----	TF3
9	13310-Z6L-610	CRANKSHAFT COMP. (L=175.2) ..	-	1	1	-----	BAFH

E-8

PISTON

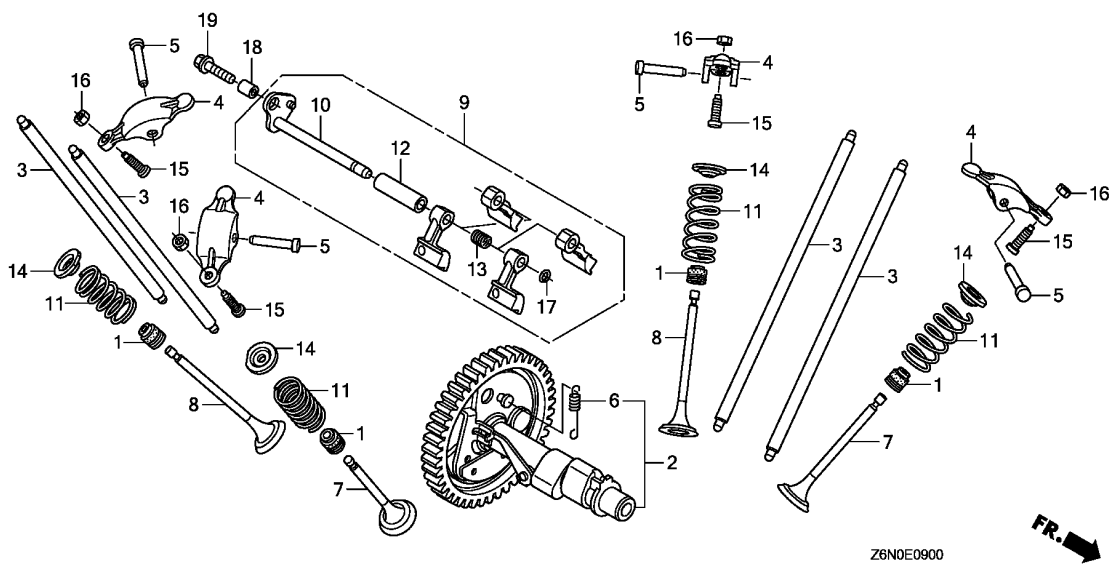
C 9



Ref. No.	L.O.N. (Relative ref. Number)	Description	F.R.T.
----------	-------------------------------	-------------	--------

Ref. No.	Part No.	Description	Reqd. QTY			Serial No.	Parts catalogue code
			GX 630	GX 660	GX 690		
1	13010-Z6L-003	RING SET, PISTON (STD.) (TEIKOKU)	2	2	2		
2	13101-Z6L-000	PISTON	2	2	2		
3	13111-Z6L-000	PIN, PISTON	2	2	2		
4	13210-Z6L-000	ROD ASSY., CONNECTING	2	2	2		
5	13211-Z6L-003	BEARING A, CONNECTING ROD ...	4	4	4		
6	90001-Z6L-000	BOLT, CONNECTING ROD, 7X38 ..	4	4	4		
7	90551-ZE1-000	CLIP, PISTON PIN, 18MM	4	4	4		
8	90705-Z6L-000	DOWEL PIN, 9X10	4	4	4		

2



Ref. L.O.N. (Relative ref. Number) F.R.T.
No. Description

Ref. No.	Part No.	Description	Reqd. QTY			Serial No.	Parts catalogue code
			GX 630	GX 660	GX 690		
1	12208-Z6L-003	SEAL, VALVE STEM	4	4	4		
2	14100-Z6L-000	CAMSHAFT ASSY.	1	1	1		
3	14410-Z6L-000	ROD COMP., PUSH	4	4	4		
4	14431-Z6L-000	ARM, VALVE ROCKER	4	4	4		
5	14461-Z6L-000	SHAFT, ROCKER ARM	4	4	4		
6	14568-Z6L-000	SPRING, WEIGHT RETURN	1	1	1		
7	14711-Z6L-000	VALVE, IN.	2	-	2	-----	BAFH,QAFH,QKF,QKW1,QKW2,QWD,QWF,QZK,SAE1,TAFH,TAF5,TDW1,TKW1,TXF3 VAY,VEPH,VXAH,VXEH,VYE3,VZE1,VZE8
	14711-Z6L-900	-	2	-	-----	VXC,VXC2
8	14721-Z6L-000	VALVE, EX.	2	-	2	-----	BAFH,QAFH,QKF,QKW1,QKW2,QWD,QWF,QZK,SAE1,TAFH,TAF5,TDW1,TKW1,TXF3 VAY,VEPH,VXAH,VXEH,VYE3,VZE1,VZE8
	14721-Z6L-900	-	2	-	-----	VXC,VXC2
9	14730-Z6L-000	LIFTER ASSY., VALVE	1	1	1		
10	14735-Z6L-000	SHAFT COMP., VALVE LIFTER ...	1	1	1		
11	14751-Z6L-000	SPRING, VALVE	4	4	4		
12	14763-Z6L-000	COLLAR, VALVE LIFTER	1	1	1		
13	14764-Z6L-000	SPRING, VALVE LIFTER	1	1	1		
14	14771-ZE1-000	RETAINER, IN. VALVE SPRING .. (IN./EX.)	4	4	4		
15	90012-Z6L-000	SCREW, TAPPET ADJUSTING	4	4	4		
16	90206-Z6L-000	NUT, TAPPET ADJUSTING	4	4	4		
17	90602-ZE1-000	CLIP, GOVERNOR HOLDER	1	1	1		
18	90707-Z6L-000	DOWEL PIN, 8X10	1	1	1		
19	95701-06022-00	BOLT, FLANGE, 6X22	1	1	1		

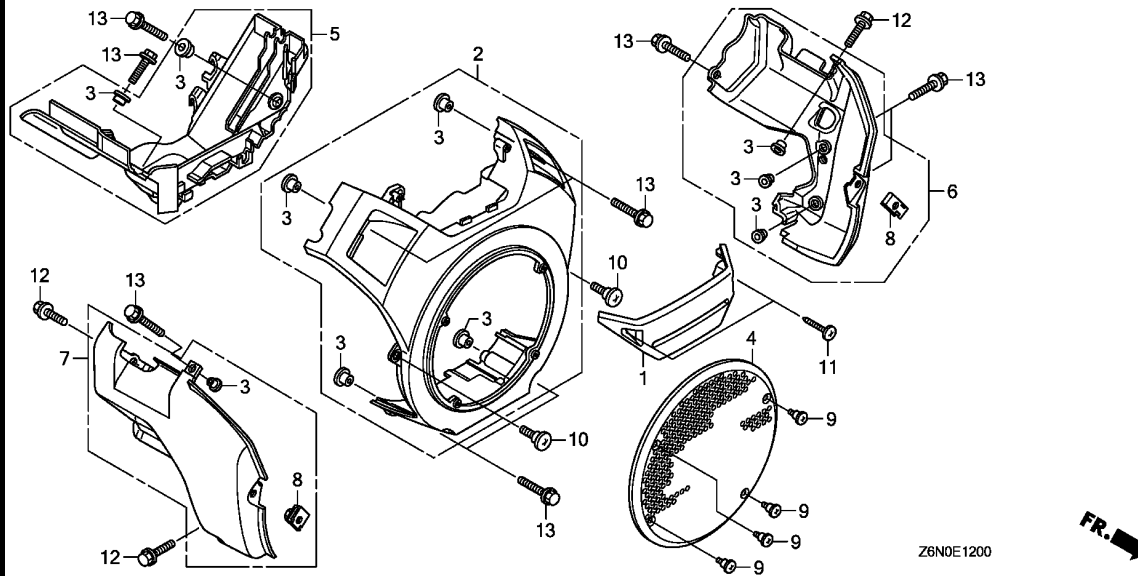
Z6N0E0900



E-12

FAN COVER

C11



Ref. No.	L.O.N.	(Relative ref. Number) Description	F.R.T.
----------	--------	------------------------------------	--------

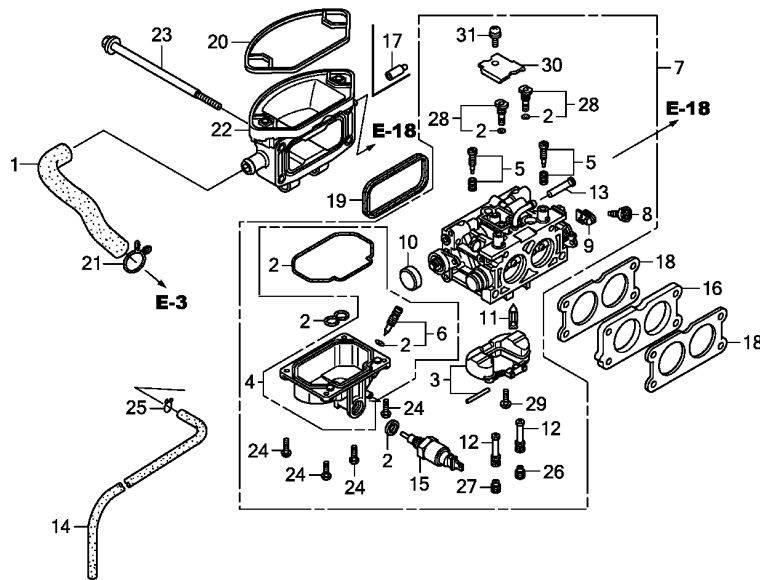
Ref. No.	Part No.	Description	Reqd. QTY			Serial No.	Parts catalogue code
			GX 630	GX 660	GX 690		
1	16715-Z6L-000	COVER, FUEL PUMP	1	1	1		
2	19610-Z6L-000ZA	COVER COMP., FAN *R280*.....POWER RED	1	-	1	-----	BAFH,QAFH,QKF,QKW1,QKW2,QWD,QWF,QZK,SAE1,TAFH,TAF5,TDW1,TKW1,TFX3 VAY,VEPH,VXAH,VXEH,VYE3,VZE1,VZE8
	19610-Z6L-000ZB	*NH1*.....BLACK	1	1	1	-----	QKF,QKW1,QKW2,TDW1,TKW1,VAY,VYE3,VZE1,VZE8
	19610-Z6M-000ZA	*R280*.....POWER RED	1	-	1	-----	VXC,VXC2
	19610-Z6M-000ZB	*NH1*.....BLACK	1	-	1	-----	VXC,VXC2
3	19619-Z0A-300	COLLAR, FAN COVER	10	10	10		
4	19621-Z6L-000	PROTECTOR, FAN COVER	1	-	-	-----	QAFH,QKF,QKW1,QKW2,QWF,QZK,SAE1,VAY,VEPH,VXAH,VXC,VXC2,VYE3,VZE1 VZE8
5	19631-Z6L-000	SHROUD, UPPER	1	1	1		
6	19641-Z6L-000	SHROUD, R. LOWER	1	1	1		
7	19642-Z6L-000	SHROUD, L. LOWER	1	-	-	-----	QAFH,QKF,QKW1,QKW2,QWF,QZK,SAE1,VAY,VEPH,VXAH,VXC,VXC2,VYE3,VZE1 VZE8
	19642-Z6L-800	1	-	1	-----	QWD
8	84601-HA7-670	NUT, FENDER SETTING	2	2	2		
9	90005-Z6L-000	SCREW, SPECIAL, 4X10	4	-	-	-----	QAFH,QKF,QKW1,QKW2,QWF,QZK,SAE1,VAY,VEPH,VXAH,VXC,VXC2,VYE3,VZE1 VZE8
10	90380-GM9-740	SCREW, SPECIAL, 6X15	2	4	4		
11	93913-25580	SCREW, TAPPING, 5X20	2	2	2		
12	95701-06016-00	BOLT, FLANGE, 6X16	3	3	3		
13	95701-06020-00	BOLT, FLANGE, 6X20	10	10	10		



E-14

CARBURETOR(1)

C12



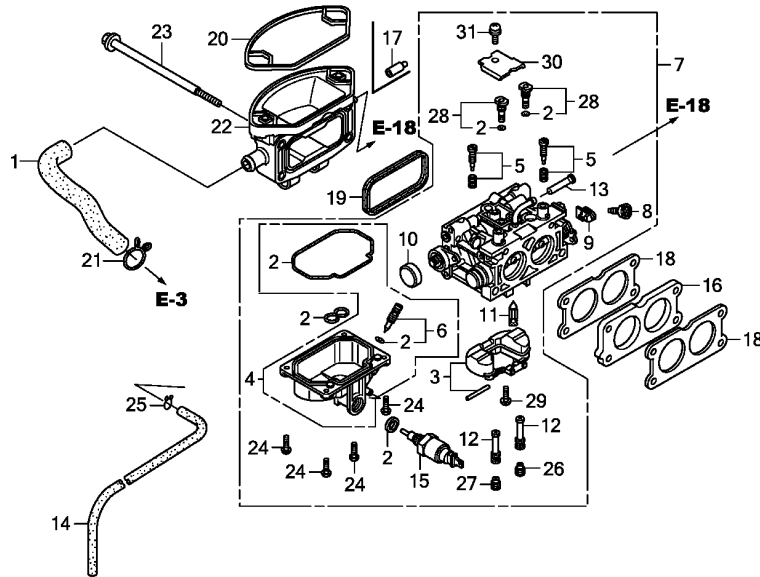
Z6N0E1400

Ref. L.O.N. (Relative ref. Number) F.R.T.
No. Description

Ref. No.	Part No.	Description	Reqd. QTY			Serial No.	Parts catalogue code
			GX 630	GX 660	GX 690		
1	15721-Z6L-000	TUBE, BREATHER	1	-	1	-----	BAFH,QAFH,QKF,QKW1,QKW2,QWD,QWF,QZK,SAE1,TAFH,TAF5,TDW1,TKW1,TFX3 VAY,VEPH,VXAH,VXEH,VYE3,VZE1,VZE8
2	16010-Z6L-003	GASKET SET	1	-	1	-----	BAFH,QAFH,QKF,QKW1,QKW2,QWD,QWF,QZK,SAE1,TAFH,TAF5,TDW1,TKW1,TFX3 VAY,VEPH,VXAH,VXEH,VYE3,VZE1,VZE8
3	16013-Z6L-003	FLOAT SET	1	-	1	-----	BAFH,QAFH,QKF,QKW1,QKW2,QWD,QWF,QZK,SAE1,TAFH,TAF5,TDW1,TKW1,TFX3 VAY,VEPH,VXAH,VXEH,VYE3,VZE1,VZE8
4	16015-Z6L-003	CHAMBER SET, FLOAT	1	-	1	-----	BAFH,QAFH,QKF,QKW1,QKW2,QWD,QWF,QZK,SAE1,TAFH,TAF5,TDW1,TKW1,TFX3 VAY,VEPH,VXAH,VXEH,VYE3,VZE1,VZE8
5	16016-Z6L-003	SCREW SET	2	-	2	-----	BAFH,QAFH,QKF,QKW1,QKW2,QWD,QWF,QZK,SAE1,TAFH,TAF5,TDW1,TKW1,TFX3 VAY,VEPH,VXAH,VXEH,VYE3,VZE1,VZE8
6	16024-124-760	SCREW SET, DRAIN	1	-	1	-----	BAFH,QAFH,QKF,QKW1,QKW2,QWD,QWF,QZK,SAE1,TAFH,TAF5,TDW1,TKW1,TFX3 VAY,VEPH,VXAH,VXEH,VYE3,VZE1,VZE8
7	16100-Z9E-003	CARBURETOR ASSY. (BK07A A) ..	1	-	-	-----	QAFH,QKF,QKW1,QKW2,QWD,QWF,QZK,SAE1,VAY,VEPH,VXAH,VYE3,VZE1,VZE8
	16100-Z8N-003	CARBURETOR ASSY. (BK06A A) ..	-	-	-	-----	BAFH,TAFH,TAF5,TDW1,TKW1,TFX3,VAY
	16100-Z6L-003	CARBURETOR ASSY. (BK05A A) ..	-	-	1	-----	BAFH,TAFH,TAF5,TDW1,TKW1,TFX3,VAY,VYE3
	16100-Z8N-851	CARBURETOR ASSY. (BK06E A) ..	-	-	1	-----	VXEH
	16100-Z6L-851	CARBURETOR ASSY. (BK05D A) ..	-	-	1	-----	VXEH
8	16124-ZE0-005	SCREW, THROTTLE STOP	1	-	1	-----	BAFH,QAFH,QKF,QKW1,QKW2,QWD,QWF,QZK,SAE1,TAFH,TAF5,TDW1,TKW1,TFX3 VAY,VEPH,VXAH,VXEH,VYE3,VZE1,VZE8
			-	1	-		

2

Ref. No.	Part No.	Description	Reqd. QTY			Serial No.	Parts catalogue code
			GX 630	GX 660	GX 690		
9	16126-Z6L-003	ARM, THROTTLE LINKAGE	1	-	1	-----	BAFH,QAFH,QKF,QKW1,QKW2,QWD,QWF,QZK,SAE1,TAFH,TAF5,TDW1,TKW1,TFX3 VAY,VEPH,VXAH,VXEH,VYE3,VZE1,VZE8
10	16148-141-881	CAP, CHOKE DUST	1	-	1	-----	BAFH,QAFH,QKF,QKW1,QKW2,QWD,QWF,QZK,SAE1,TAFH,TAF5,TDW1,TKW1,TFX3 VAY,VEPH,VXAH,VXEH,VYE3,VZE1,VZE8
11	16155-Z6L-003	VALVE COMP., FLOAT	1	-	1	-----	BAFH,QAFH,QKF,QKW1,QKW2,QWD,QWF,QZK,SAE1,TAFH,TAF5,TDW1,TKW1,TFX3 VAY,VEPH,VXAH,VXEH,VYE3,VZE1,VZE8
12	16166-Z8N-003	NOZZLE, MAIN	2	-	-	-----	QAFH,QKF,QKW1,QKW2,QWD,QWF,QZK,SAE1,VAY,VEPH,VXAH,VYE3,VZE1,VZE8
	16166-Z6L-003	-	-	2	-----	BAFH,TAFH,TAF5,TDW1,TKW1,TFX3,VAY,VXEH,VYE3
13	16176-Z2G-D51	SCREEN, FUEL STRAINER	1	-	1	-----	BAFH,QAFH,QKF,QKW1,QKW2,QWD,QWF,QZK,SAE1,TAFH,TAF5,TDW1,TKW1,TFX3 VAY,VEPH,VXAH,VXEH,VYE3,VZE1,VZE8
14	16198-Z6L-000	TUBE, DRAIN	1	-	1	-----	BAFH,QAFH,QKF,QKW1,QKW2,QWF,QZK,SAE1,TAFH,TAF5,TDW1,TKW1,TFX3,VAY VEPH,VXAH,VXEH,VYE3,VZE1,VZE8
			1	-	-	-----	1000098 QWD
	16198-ZJ1-840	1	-	-	-----	1000099 QWD
15	16200-Z6L-003	VALVE ASSY., SOLENOID	1	-	1	-----	BAFH,QAFH,QKF,QKW1,QKW2,QWD,QWF,QZK,SAE1,TAFH,TAF5,TDW1,TKW1,TFX3 VAY,VEPH,VXAH,VXEH,VYE3,VZE1,VZE8
16	16211-Z6L-000	INSULATOR, CARBURETOR	1	-	1	-----	BAFH,QAFH,QKF,QKW1,QKW2,QWD,QWF,QZK,SAE1,TAFH,TAF5,TDW1,TKW1,TFX3 VAY,VEPH,VXAH,VXEH,VYE3,VZE1,VZE8
17	16215-MV4-000	CAP, BOOST	-	1	1	-----	TAF5
18	16221-Z6L-000	PACKING, CARBURETOR	2	-	2	-----	BAFH,QAFH,QKF,QKW1,QKW2,QWD,QWF,QZK,SAE1,TAFH,TAF5,TDW1,TKW1,TFX3 VAY,VEPH,VXAH,VXEH,VYE3,VZE1,VZE8
19	17228-Z6L-000	PACKING, AIR CLEANER	1	-	1	-----	BAFH,QAFH,QKF,QKW1,QKW2,QWD,QWF,QZK,SAE1,TAFH,TAF5,TDW1,TKW1,TFX3 VAY,VEPH,VXAH,VXEH,VYE3,VZE1,VZE8
20	17229-Z6L-000	SEAL, AIR CLEANER CASE	1	-	1	-----	BAFH,QAFH,QKF,QKW1,QKW2,QWD,QWF,QZK,SAE1,TAFH,TAF5,TDW1,TKW1,TFX3 VAY,VEPH,VXAH,VXEH,VYE3,VZE1,VZE8
21	17369-KB4-670	CLIP, BREATHER TUBE	1	-	1	-----	BAFH,QAFH,QKF,QKW1,QKW2,QWD,QWF,QZK,SAE1,TAFH,TAF5,TDW1,TKW1,TFX3 VAY,VEPH,VXAH,VXEH,VYE3,VZE1,VZE8
22	17410-Z6L-000	ELBOW COMP., AIR CLEANER	1	-	1	-----	BAFH,QAFH,QKF,QKW1,QKW2,QWD,QWF,QZK,SAE1,TAFH,TAF5,TDW1,TKW1,TFX3 VAY,VEPH,VXAH,VXEH,VYE3,VZE1,VZE8
23	90003-Z6L-000	BOLT, FLANGE, 6X106	4	-	4	-----	BAFH,QAFH,QKF,QKW1,QKW2,QWD,QWF,QZK,SAE1,TAFH,TAF5,TDW1,TKW1,TFX3 VAY,VEPH,VXAH,VXEH,VYE3,VZE1,VZE8
24	93500-04012-1H	SCREW, PAN, 4X12	4	-	4	-----	BAFH,QAFH,QKF,QKW1,QKW2,QWD,QWF,QZK,SAE1,TAFH,TAF5,TDW1,TKW1,TFX3 VAY,VEPH,VXAH,VXEH,VYE3,VZE1,VZE8
25	95002-02080	CLIP, TUBE (B8)	1	-	1	-----	BAFH,QAFH,QKF,QKW1,QKW2,QWD,QWF,QZK,SAE1,TAFH,TAF5,TDW1,TKW1,TFX3 VAY,VEPH,VXAH,VXEH,VYE3,VZE1,VZE8
26	99101-ZH8-0900	JET, MAIN, #90	(1)	-	-	-----	QAFH,QKF,QKW1,QKW2,QWD,QWF,QZK,SAE1,VAY,VEPH,VXAH,VYE3,VZE1,VZE8
	99101-ZH8-0950	JET, MAIN, #95	(1)	-	-	-----	QAFH,QKF,QKW1,QKW2,QWD,QWF,QZK,SAE1,VAY,VEPH,VXAH,VYE3,VZE1,VZE8
	99101-ZH8-1000	JET, MAIN, #100	-	(1)	-	-----	



Z6N0E1400

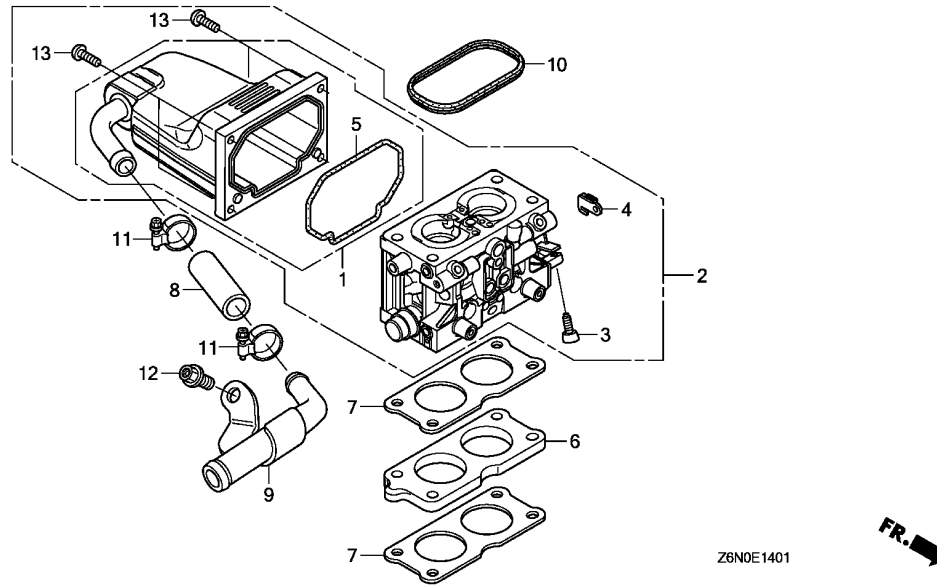


Ref. No.	Part No.	Description	Reqd. QTY			Serial No.	Parts catalogue code
			GX 630	GX 660	GX 690		
26)	99101-ZH8-1020	JET, MAIN, #102	1	-	-	-----	QAFH,QKF,QKW1,QKW2,QWD,QWF,QZK,SAE1,VAY,VEPH,VXAH,VYE3,VZE1,VZE8
	99101-ZH8-1050	JET, MAIN, #105	-	(1)	-	-----	BAFH,TAFH,TAF5,TDW1,TKW1,TFX3,VAY,VXEH,VYE3
	99101-ZH8-1100	JET, MAIN, #110	-	-	(1)	-----	BAFH,TAFH,TAF5,TDW1,TKW1,TFX3,VAY,VXEH,VYE3
	99101-ZH8-1120	JET, MAIN, #112	-	1	-	-----	BAFH,TAFH,TAF5,TDW1,TKW1,TFX3,VAY,VXEH,VYE3
	99101-ZH8-1180	JET, MAIN, #118	-	-	1	-----	BAFH,TAFH,TAF5,TDW1,TKW1,TFX3,VAY,VXEH,VYE3
27	99101-ZH8-0920	JET, MAIN, #92	(1)	-	-	-----	QAFH,QKF,QKW1,QKW2,QWD,QWF,QZK,SAE1,VAY,VEPH,VXAH,VYE3,VZE1,VZE8
	99101-ZH8-0980	JET, MAIN, #98	(1)	-	-	-----	QAFH,QKF,QKW1,QKW2,QWD,QWF,QZK,SAE1,VAY,VEPH,VXAH,VYE3,VZE1,VZE8
	99101-ZH8-1000	JET, MAIN, #100	-	(1)	-	-----	BAFH,QAFH,QKF,QKW1,QKW2,QWD,QWF,QZK,SAE1,TAFH,TAF5,TDW1,TKW1,TFX3
	99101-ZH8-1050	JET, MAIN, #105	1	-	(1)	-----	VAY,VEPH,VXAH,VXEH,VYE3,VZE1,VZE8
	99101-ZH8-1100	JET, MAIN, #110	-	(1)	-	-----	BAFH,TAFH,TAF5,TDW1,TKW1,TFX3,VAY,VXEH,VYE3
	99101-ZH8-1120	JET, MAIN, #112	-	1	-	-----	BAFH,TAFH,TAF5,TDW1,TKW1,TFX3,VAY,VXEH,VYE3
	99101-ZH8-1180	JET, MAIN, #118	-	-	1	-----	BAFH,TAFH,TAF5,TDW1,TKW1,TFX3,VAY,VXEH,VYE3
28	99204-ZE2-0400	JET SET, PILOT, #40	2	-	-	-----	QAFH,QKF,QKW1,QKW2,QWD,QWF,QZK,SAE1,VAY,VEPH,VXAH,VYE3,VZE1,VZE8
	99204-ZE2-0450	JET SET, PILOT, #45	-	-	2	-----	BAFH,TAFH,TAF5,TDW1,TKW1,TFX3,VAY,VXEH,VYE3
29	16081-Z6L-003	SCREW, FLOAT	1	-	1	-----	BAFH,QAFH,QKF,QKW1,QKW2,QWD,QWF,QZK,SAE1,TAFH,TAF5,TDW1,TKW1,TFX3
			-	1	-	-----	VAY,VEPH,VXAH,VXEH,VYE3,VZE1,VZE8
30	16113-Z6L-003	PLATE	1	-	1	-----	BAFH,QAFH,QKF,QKW1,QKW2,QWD,QWF,QZK,SAE1,TAFH,TAF5,TDW1,TKW1,TFX3
			-	1	-	-----	VAY,VEPH,VXAH,VXEH,VYE3,VZE1,VZE8
31	93892-05010-18	SCREW-WASHER, 5X10	1	-	1	-----	BAFH,QAFH,QKF,QKW1,QKW2,QWD,QWF,QZK,SAE1,TAFH,TAF5,TDW1,TKW1,TFX3
			-	1	-	-----	VAY,VEPH,VXAH,VXEH,VYE3,VZE1,VZE8

E-14-1

CARBURETOR(2)

C15



Ref. L.O.N. (Relative ref. Number) F.R.T.
No. Description

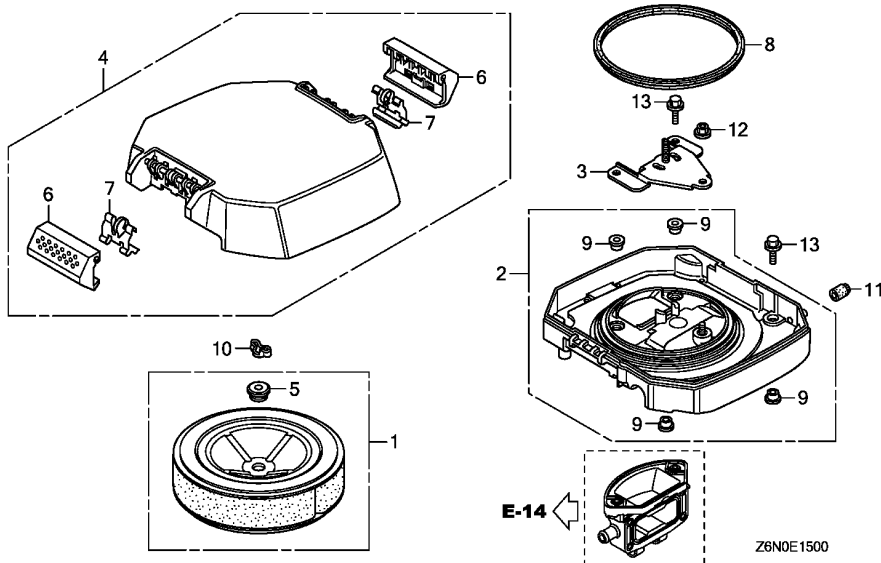
Ref. No.	Part No.	Description	Reqd. QTY			Serial No.	Parts catalogue code
			GX 630	GX 660	GX 690		
1	16015-Z6L-901	CHAMBER SET, FLOAT	1	-	1	-----	VXC,VXC2
2	16100-Z9E-901	CARBURETOR ASSY. (BKL2B A) ..	1	-	-	-----	VXC,VXC2
	16100-Z6L-901	CARBURETOR ASSY. (BKL2A A) ..	-	-	1	-----	VXC,VXC2
3	16124-ZE0-005	SCREW, THROTTLE STOP	1	-	1	-----	VXC,VXC2
4	16126-Z6L-003	ARM, THROTTLE LINKAGE	1	-	1	-----	VXC,VXC2
5	16163-Z6L-901	GASKET, FLOAT CHAMBER	1	-	1	-----	VXC,VXC2
6	16211-Z6L-000	INSULATOR, CARBURETOR	1	-	1	-----	VXC,VXC2
7	16221-Z6L-000	PACKING, CARBURETOR	2	-	2	-----	VXC,VXC2
8	16347-ZN1-820	HOSE, FUEL	1	-	1	-----	VXC,VXC2
9	16920-Z6L-900	JOINT COMP., FUEL	1	-	1	-----	VXC,VXC2
10	17228-Z6L-000	PACKING, AIR CLEANER	1	-	1	-----	VXC,VXC2
11	19505-KS6-700	CLAMP A, WATER HOSE	2	-	2	-----	VXC,VXC2
12	90649-SB0-671	BOLT, FLANGE, 8X16	1	-	1	-----	VXC,VXC2
13	93500-04014-1H	SCREW, PAN, 4X14	4	-	4	-----	VXC,VXC2

2

E-15

AIR CLEANER(1)

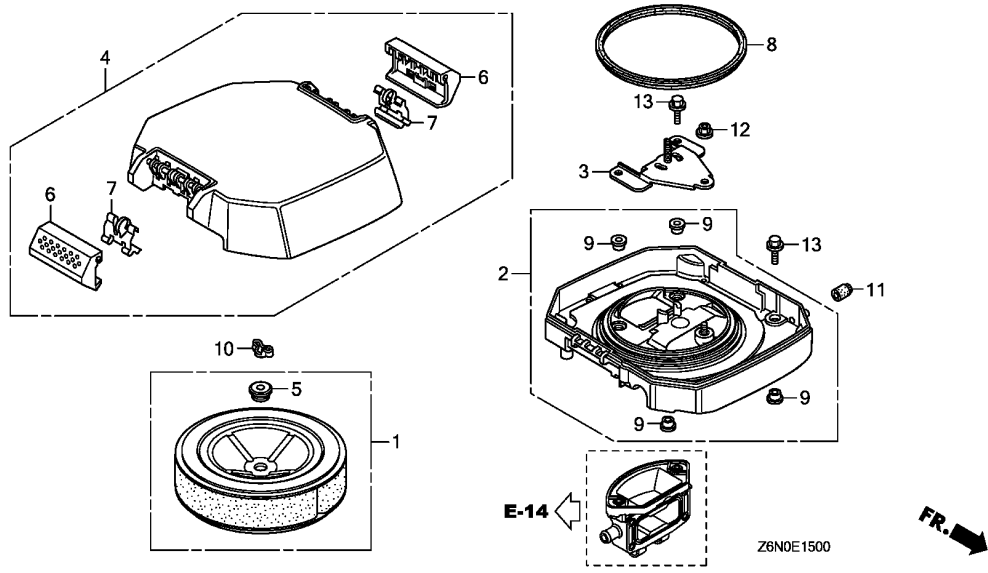
C16



Ref. L.O.N. (Relative ref. Number) F.R.T.
No. Description

Ref. No.	Part No.	Description	Reqd. QTY			Serial No.	Parts catalogue code
			GX 630	GX 660	GX 690		
1	17210-Z6L-010	ELEMENT COMP., AIR CLEANER ..	1	-	1	-----	BAFH,QAFH,QKF,QKW1,QKW2,QWD,QWF,QZK,SAE1,TAFH,TAF5,TDW1,TKW1,TFX3 VAY,VEPH,VXAH,VXEH,VYE3,VZE1,VZE8
2	17220-Z6L-000	CASE COMP., AIR CLEANER	-	1	-	-----	BAFH,QAFH,QKF,QKW1,QKW2,QWD,QWF,QZK,SAE1,TAFH,TAF5,TDW1,TKW1,TFX3 VAY,VEPH,VXAH,VXEH,VYE3,VZE1,VZE8
3	17223-Z6L-000	STAY COMP., AIR CLEANER ELEMENT	-	1	-	-----	BAFH,QAFH,QKF,QKW1,QKW2,QWD,QWF,QZK,SAE1,TAFH,TAF5,TDW1,TKW1,TFX3 VAY,VEPH,VXAH,VXEH,VYE3,VZE1,VZE8
4	17230-Z6L-000	COVER COMP., AIR CLEANER	-	1	-	-----	BAFH,QAFH,QKF,QKW1,QKW2,QWD,QWF,QZK,SAE1,TAFH,TAF5,TDW1,TKW1,TFX3 VAY,VEPH,VXAH,VXEH,VYE3,VZE1,VZE8
5	17232-Z2E-000	GROMMET, AIR CLEANER	1	-	1	-----	BAFH,QAFH,QKF,QKW1,QKW2,QWD,QWF,QZK,SAE1,TAFH,TAF5,TDW1,TKW1,TFX3 VAY,VEPH,VXAH,VXEH,VYE3,VZE1,VZE8
6	17235-Z6L-300	KNOB, AIR CLEANER COVER	-	1	-	-----	BAFH,QAFH,QKF,QKW1,QKW2,QWD,QWF,QZK,SAE1,TAFH,TAF5,TDW1,TKW1,TFX3 VAY,VEPH,VXAH,VXEH,VYE3,VZE1,VZE8
7	17236-Z6L-300	SPRING, AIR CLEANER CASE COVER	2	-	2	-----	BAFH,QAFH,QKF,QKW1,QKW2,QWD,QWF,QZK,SAE1,TAFH,TAF5,TDW1,TKW1,TFX3 VAY,VEPH,VXAH,VXEH,VYE3,VZE1,VZE8
8	17417-Z6L-000	PACKING, AIR CLEANER CASE ...	-	2	-	-----	BAFH,QAFH,QKF,QKW1,QKW2,QWD,QWF,QZK,SAE1,TAFH,TAF5,TDW1,TKW1,TFX3 VAY,VEPH,VXAH,VXEH,VYE3,VZE1,VZE8
9	19619-Z0A-300	COLLAR, FAN COVER	4	-	4	-----	BAFH,QAFH,QKF,QKW1,QKW2,QWD,QWF,QZK,SAE1,TAFH,TAF5,TDW1,TKW1,TFX3 VAY,VEPH,VXAH,VXEH,VYE3,VZE1,VZE8
			-	4	-		

2



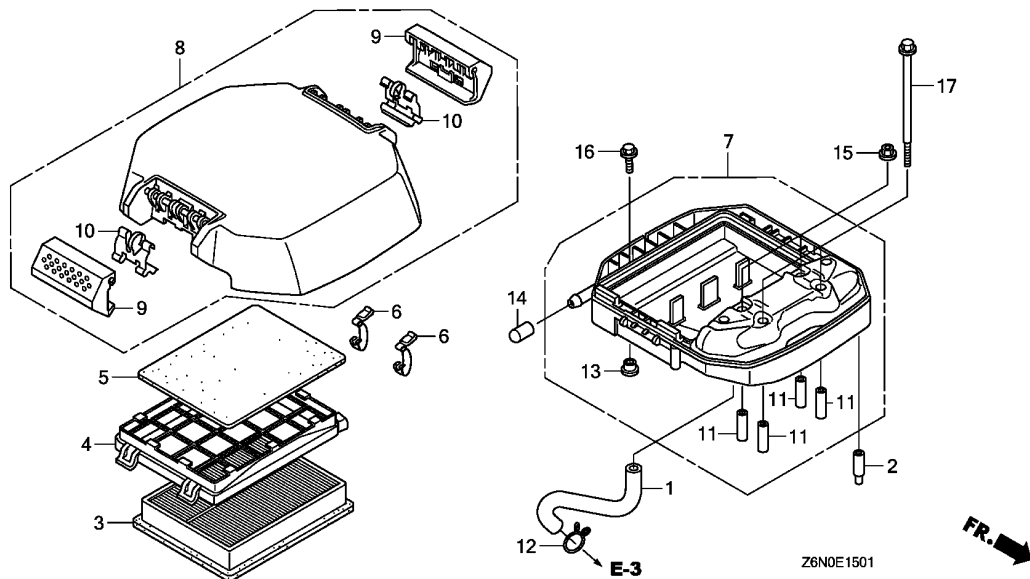
Ref. No.	Part No.	Description	Reqd. QTY			Serial No.	Parts catalogue code
			GX 630	GX 660	GX 690		
10	90325-044-000	NUT, TOOL BOX SETTING	1	-	1	-----	BAFH,QAFH,QKF,QKW1,QKW2,QWD,QWF,QZK,SAE1,TAFH,TAF5,TDW1,TKW1,TFX3 VAY,VEPH,VXAH,VXEH,VYE3,VZE1,VZE8
11	90802-Z6L-000	CAP, SEALING	1	-	1	-----	BAFH,QAFH,QKF,QKW1,QKW2,QWD,QWF,QZK,SAE1,TAFH,TAF5,TDW1,TKW1,TFX3 VAY,VEPH,VXAH,VXEH,VYE3,VZE1,VZE8
12	94050-06000	NUT, FLANGE, 6MM	1	-	1	-----	BAFH,QAFH,QKF,QKW1,QKW2,QWD,QWF,QZK,SAE1,TAFH,TAF5,TDW1,TKW1,TFX3 VAY,VEPH,VXAH,VXEH,VYE3,VZE1,VZE8
13	95701-06018-00	BOLT, FLANGE, 6X18	4	-	4	-----	BAFH,QAFH,QKF,QKW1,QKW2,QWD,QWF,QZK,SAE1,TAFH,TAF5,TDW1,TKW1,TFX3 VAY,VEPH,VXAH,VXEH,VYE3,VZE1,VZE8
			-	4	-		



E-15-1

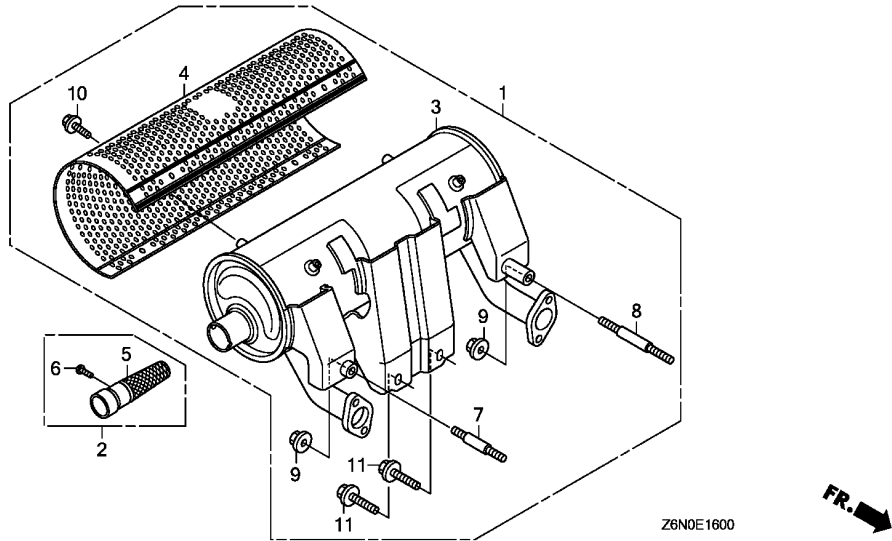
AIR CLEANER(2)

D 2



Ref. No.	L.O.N.	(Relative ref. Number) Description	F.R.T.
----------	--------	------------------------------------	--------

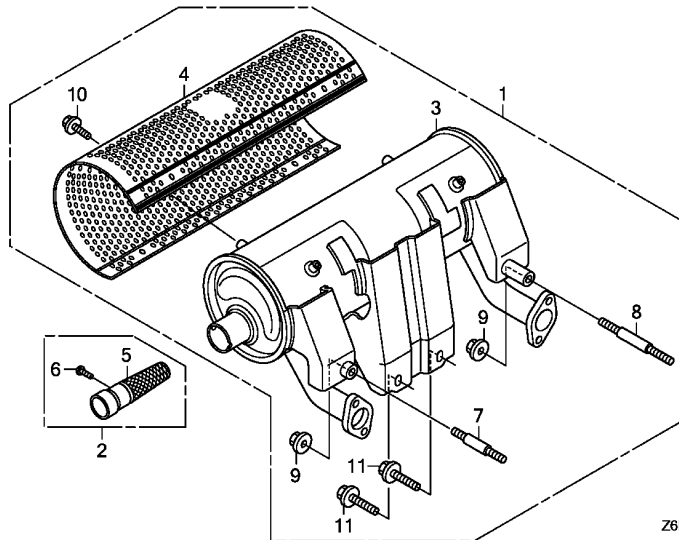
Ref. No.	Part No.	Description	Reqd. QTY			Serial No.	Parts catalogue code
			GX 630	GX 660	GX 690		
1	15721-Z6M-000	TUBE, BREATHER	1	-	1	-----	VXC,VXC2
2	16215-MV4-000	CAP, BOOST	1	-	1	-----	VXC,VXC2
3	17210-Z6L-900	ELEMENT COMP., AIR CLEANER ..	1	-	1	-----	VXC,VXC2
4	17214-Z6L-900	HOLDER, ELEMENT	1	-	1	-----	VXC,VXC2
5	17218-Z6M-000	FILTER, OUTER	1	-	1	-----	VXC,VXC2
6	17219-ZJ1-840	CLIP, AIR CLEANER	2	-	2	-----	VXC,VXC2
7	17220-Z6L-900	CASE COMP., AIR CLEANER	1	-	1	-----	VXC,VXC2
8	17230-Z6M-000	COVER COMP., AIR CLEANER	1	-	1	-----	VXC,VXC2
9	17235-Z6L-300	KNOB, AIR CLEANER COVER	2	-	2	-----	VXC,VXC2
10	17236-Z6L-300	SPRING, AIR CLEANER CASE COVER	2	-	2	-----	VXC,VXC2
11	17240-ZA0-951	COLLAR, AIR CLEANER	4	-	4	-----	VXC,VXC2
12	17369-KB4-670	CLIP, BREATHER TUBE	1	-	1	-----	VXC,VXC2
13	19619-Z0A-300	COLLAR, FAN COVER	1	-	1	-----	VXC,VXC2
14	90802-Z6L-000	CAP, SEALING	1	-	1	-----	VXC,VXC2
15	94050-06000	NUT, FLANGE, 6MM	2	-	2	-----	VXC,VXC2
16	95701-06016-00	BOLT, FLANGE, 6X16	1	-	1	-----	VXC,VXC2
17	95701-06110-00	BOLT, FLANGE, 6X110	2	-	2	-----	VXC,VXC2



Ref. No.	L.O.N.	(Relative ref. Number) Description	F.R.T.
----------	--------	---------------------------------------	--------

Ref. No.	Part No.	Description	Reqd. QTY			Serial No.	Parts catalogue code
			GX 630	GX 660	GX 690		
1	06183-Z6L-010	MUFFLER KIT (HIGH-R)	(1)	(1)	(1)	-----	BAFH,QAFH,QKF,QKW1,QKW2,QZK,TAFH,TDW1,TKW1,VAY,VEPH,VXAH,VXC,VXC2 VXEH,VZE1,VZE8
2	06185-Z6L-000	ARRESTER KIT (HIGH)	(1)	(1)	(1)	-----	BAFH,QAFH,QKF,QKW1,QKW2,QZK,TAFH,TDW1,TKW1,VAY,VEPH,VXAH,VXC,VXC2 VXEH,VZE1,VZE8
3	18310-Z6L-003	MUFFLER COMP. (HIGH-R)	1	-	-	-----	QWF
			(1)	(1)	(1)	-----	BAFH,QAFH,QKF,QKW1,QKW2,QZK,TAFH,TDW1,TKW1,VAY,VEPH,VXAH,VXC,VXC2 VXEH,VZE1,VZE8
4	18321-ZJ1-010	PROTECTOR, MUFFLER (HIGH) (FUTABA)	1	-	-	-----	QWF
			(1)	(1)	(1)	-----	BAFH,QAFH,QKF,QKW1,QKW2,QZK,TAFH,TDW1,TKW1,VAY,VEPH,VXAH,VXC,VXC2 VXEH,VZE1,VZE8
5	18355-ZJ1-000	ARRESTER, SPARK	(1)	(1)	(1)	-----	BAFH,QAFH,QKF,QKW1,QKW2,QZK,TAFH,TDW1,TKW1,VAY,VEPH,VXAH,VXC,VXC2 VXEH,VZE1,VZE8
6	93901-250J0	SCREW, TAPPING, 5X8	(1)	(1)	(1)	-----	BAFH,QAFH,QKF,QKW1,QKW2,QZK,TAFH,TDW1,TKW1,VAY,VEPH,VXAH,VXC,VXC2 VXEH,VZE1,VZE8
7	92900-08045-0B	BOLT, STUD, 8X45	1	-	-	-----	QWF
			(1)	(1)	(1)	-----	BAFH,QAFH,QKF,QKW1,QKW2,QZK,TAFH,TDW1,TKW1,VAY,VEPH,VXAH,VXC,VXC2 VXEH,VZE1,VZE8
8	92900-08060-0B	BOLT, STUD, 8X60	1	-	-	-----	QWF
			(1)	(1)	(1)	-----	BAFH,QAFH,QKF,QKW1,QKW2,QZK,TAFH,TDW1,TKW1,VAY,VEPH,VXAH,VXC,VXC2 VXEH,VZE1,VZE8
9	94050-08000	NUT, FLANGE, 8MM	2	-	-	-----	QWF
			(2)	(2)	(2)	-----	BAFH,QAFH,QKF,QKW1,QKW2,QZK,TAFH,TDW1,TKW1,VAY,VEPH,VXAH,VXC,VXC2 VXEH,VZE1,VZE8
10	95701-06008-00	BOLT, FLANGE, 6X8	6	-	-	-----	QWF
			(6)	(6)	(6)	-----	BAFH,QAFH,QKF,QKW1,QKW2,QZK,TAFH,TDW1,TKW1,VAY,VEPH,VXAH,VXC,VXC2 VXEH,VZE1,VZE8





Z6N0E1600

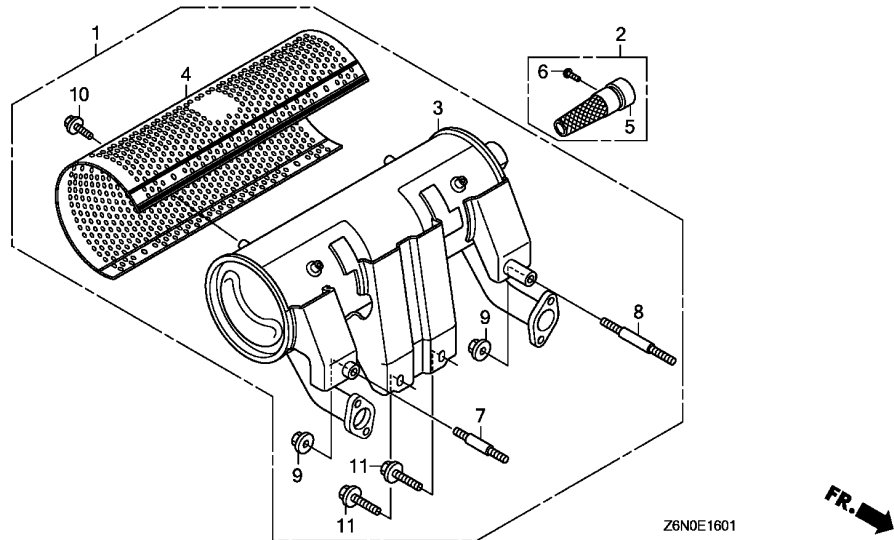


Ref. No.	Part No.	Description	Reqd. QTY			Serial No.	Parts catalogue code
			GX 630	GX 660	GX 690		
11	95701-08020-00	BOLT, FLANGE, 8X20	2	-	-	----- QWF	BAFH, QAFH, QKF, QKW1, QKW2, QZK, TAFH, TDW1, TKW1, VAY, VEPH, VXAH, VXC, VXC2, VXEH, VZE1, VZE8
			(2)	(2)	(2)	-----	

E-16-1

MUFFLER(HIGH-L)

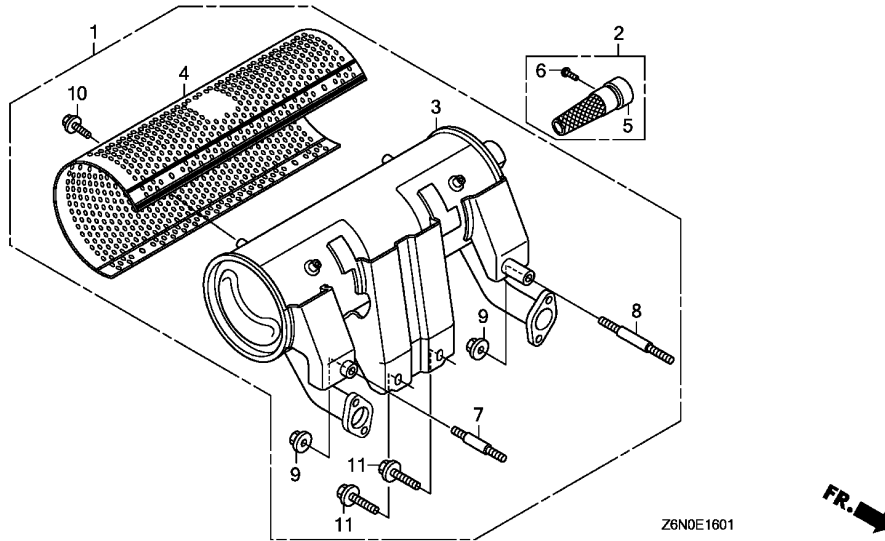
D 5



Ref. No. L.O.N. (Relative ref. Number) Description F.R.T.

Ref. No.	Part No.	Description	Reqd. QTY			Serial No.	Parts catalogue code
			GX 630	GX 660	GX 690		
1	06183-Z6L-801	MUFFLER KIT (HIGH-L)	(1)	(1)	(1)	-----	BAFH,QAFH,QKF,QKW1,QKW2,QZK,TAFH,TDW1,TKW1,VAY,VEPH,VXAH,VXC,VXC2 VXEH,VZE1,VZE8
2	06185-Z6L-000	ARRESTER KIT (HIGH)	(1)	(1)	(1)	-----	BAFH,QAFH,QKF,QKW1,QKW2,QZK,TAFH,TDW1,TKW1,VAY,VEPH,VXAH,VXC,VXC2 VXEH,VZE1,VZE8
3	18310-Z6L-801	MUFFLER COMP. (HIGH-L)	1 (1)	1 (1)	1 (1)	-----	SAE1,TAF5,TFX3,VYE3 BAFH,QAFH,QKF,QKW1,QKW2,QZK,TAFH,TDW1,TKW1,VAY,VEPH,VXAH,VXC,VXC2 VXEH,VZE1,VZE8
4	18321-ZJ1-010	PROTECTOR, MUFFLER (HIGH) (FUTABA)	1 (1)	1 (1)	1 (1)	-----	SAE1,TAF5,TFX3,VYE3 BAFH,QAFH,QKF,QKW1,QKW2,QZK,TAFH,TDW1,TKW1,VAY,VEPH,VXAH,VXC,VXC2 VXEH,VZE1,VZE8
5	18355-ZJ1-000	ARRESTER, SPARK	(1)	(1)	(1)	-----	BAFH,QAFH,QKF,QKW1,QKW2,QZK,TAFH,TDW1,TKW1,VAY,VEPH,VXAH,VXC,VXC2 VXEH,VZE1,VZE8
6	93901-250J0	SCREW, TAPPING, 5X8	(1)	(1)	(1)	-----	BAFH,QAFH,QKF,QKW1,QKW2,QZK,TAFH,TDW1,TKW1,VAY,VEPH,VXAH,VXC,VXC2 VXEH,VZE1,VZE8
7	92900-08045-0B	BOLT, STUD, 8X45	1 (1)	1 (1)	1 (1)	-----	SAE1,TAF5,TFX3,VYE3 BAFH,QAFH,QKF,QKW1,QKW2,QZK,TAFH,TDW1,TKW1,VAY,VEPH,VXAH,VXC,VXC2 VXEH,VZE1,VZE8
8	92900-08060-0B	BOLT, STUD, 8X60	1 (1)	1 (1)	1 (1)	-----	SAE1,TAF5,TFX3,VYE3 BAFH,QAFH,QKF,QKW1,QKW2,QZK,TAFH,TDW1,TKW1,VAY,VEPH,VXAH,VXC,VXC2 VXEH,VZE1,VZE8
9	94050-08000	NUT, FLANGE, 8MM	2 (2)	2 (2)	2 (2)	-----	SAE1,TAF5,TFX3,VYE3 BAFH,QAFH,QKF,QKW1,QKW2,QZK,TAFH,TDW1,TKW1,VAY,VEPH,VXAH,VXC,VXC2 VXEH,VZE1,VZE8
10	95701-06008-00	BOLT, FLANGE, 6X8	6 (6)	6 (6)	6 (6)	-----	SAE1,TAF5,TFX3,VYE3 BAFH,QAFH,QKF,QKW1,QKW2,QZK,TAFH,TDW1,TKW1,VAY,VEPH,VXAH,VXC,VXC2 VXEH,VZE1,VZE8

2



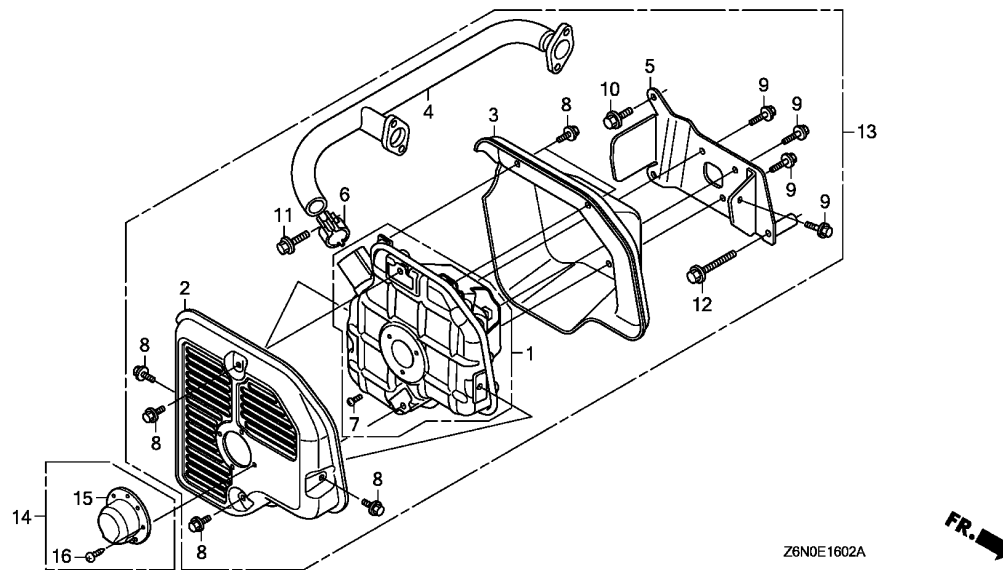
2

Ref. No.	Part No.	Description	Reqd. QTY			Serial No.	Parts catalogue code
			GX 630	GX 660	GX 690		
11	95701-08020-00	BOLT, FLANGE, 8X20	2	2	2	-----	SAE1,TAF5,TXF3,VYE3 BAFH,QAFH,QKF,QKW1,QKW2,QZK,TAFH,TDW1,TKW1,VAY,VEPH,VXAH,VXC,VXC2 VXEH,VZE1,VZE8

E-16-2

MUFFLER(SIDE MOUNT)

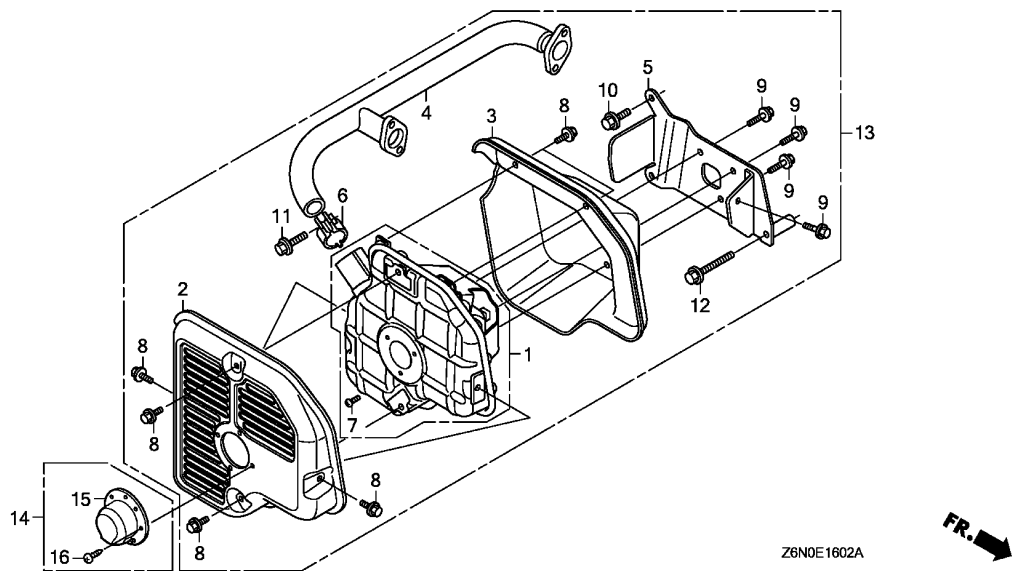
D 7



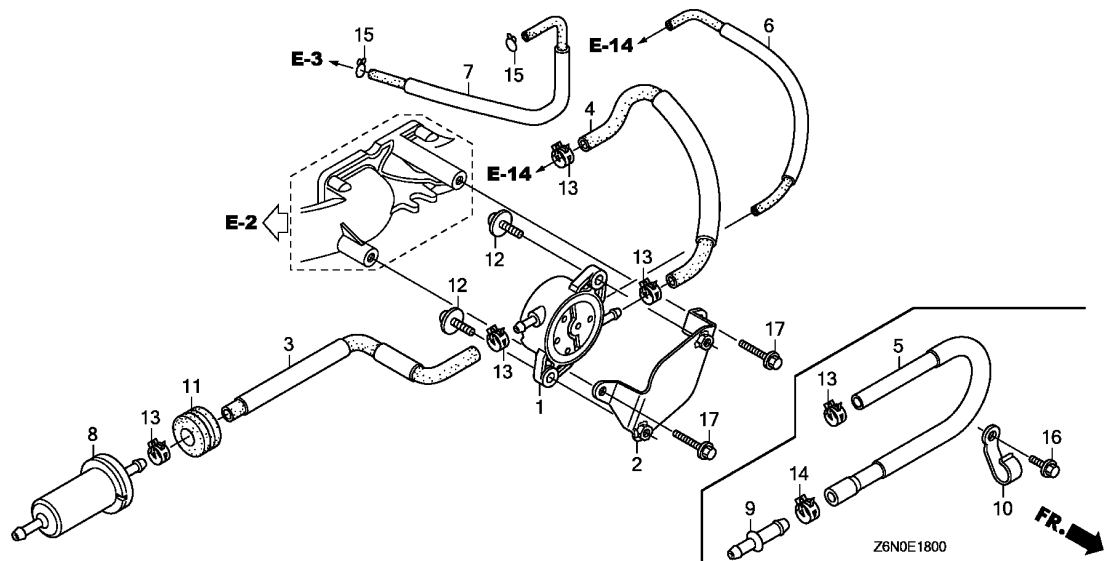
Ref. No.	L.O.N.	(Relative ref. Number) Description	F.R.T.
----------	--------	------------------------------------	--------

Ref. No.	Part No.	Description	Reqd. QTY			Serial No.	Parts catalogue code
			GX 630	GX 660	GX 690		
1	18310-Z6L-810	MUFFLER COMP.	1	-	-	----- QWD	
2	18321-Z6L-801	PROTECTOR, MUFFLER (OUTSIDE)	(1)	-	-	----- VXAH	
3	18325-Z6L-800	PROTECTOR, MUFFLER (INSIDE) -	1	-	-	----- QWD	
	18325-Z6L-801	(1)	-	-	1000098 QWD	
			1	-	-	1000099 QWD	
4	18330-Z6L-800	PIPE COMP., EX.	(1)	-	-	1000099 VXAH	
5	18338-Z6L-800	STAY, MUFFLER	1	-	-	----- QWD	
			(1)	-	-	----- VXAH	
6	18371-Z6L-000	BAND, MUFFLER	1	-	-	----- QWD	
			(1)	-	-	----- VXAH	
7	93500-04008-4J	SCREW, PAN, 4X8	3	-	-	----- QWD	
			(3)	-	-	----- VXAH	
8	95701-06008-00	BOLT, FLANGE, 6X8	6	-	-	----- QWD	
			(6)	-	-	----- VXAH	
9	95701-06012-00	BOLT, FLANGE, 6X12	4	-	-	----- QWD	
			(4)	-	-	----- VXAH	
10	95701-08020-00	BOLT, FLANGE, 8X20	2	-	-	----- QWD	
			(2)	-	-	----- VXAH	
11	95701-08030-00	BOLT, FLANGE, 8X30	1	-	-	----- QWD	
			(1)	-	-	----- VXAH	
12	95701-08060-00	BOLT, FLANGE, 8X60	1	-	-	----- QWD	
			(1)	-	-	----- VXAH	
13	06183-Z6L-811	MUFFLER KIT (SIDE)	(1)	-	-	----- VXAH	

2



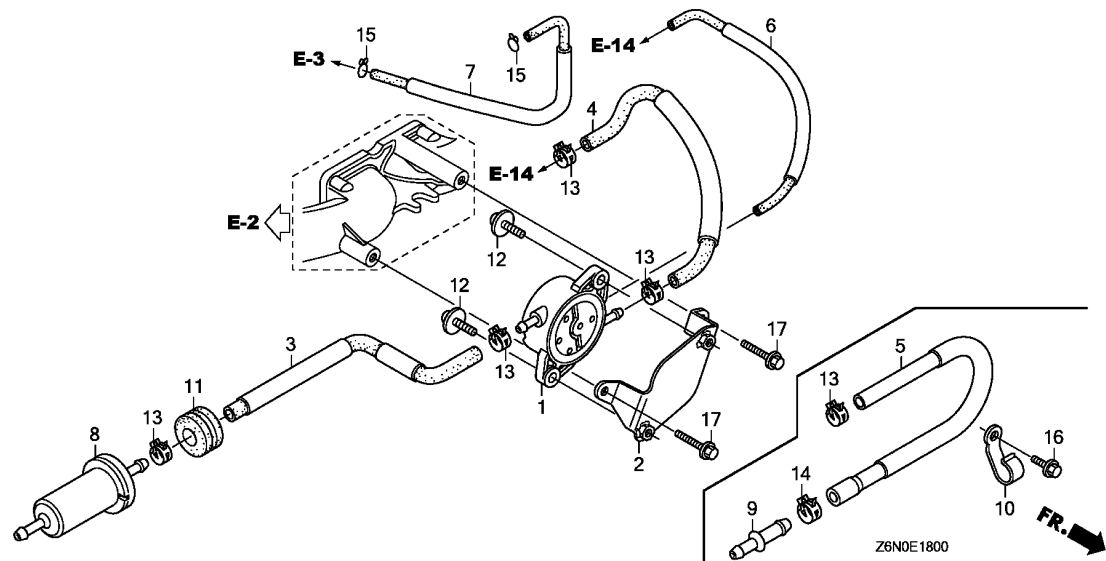
Ref. No.	Part No.	Description	Reqd. QTY			Serial No.	Parts catalogue code
			GX 630	GX 660	GX 690		
14	06184-Z6L-810	DEFLECTOR KIT. (SIDE)	(1)	-	-	-----	VXAH
15	18431-Z6L-000	DEFLECTOR, MUFFLER	(1)	-	-	-----	VXAH
16	90055-ZE1-000	SCREW, TAPPING, 4X6	(3)	-	-	-----	VXAH



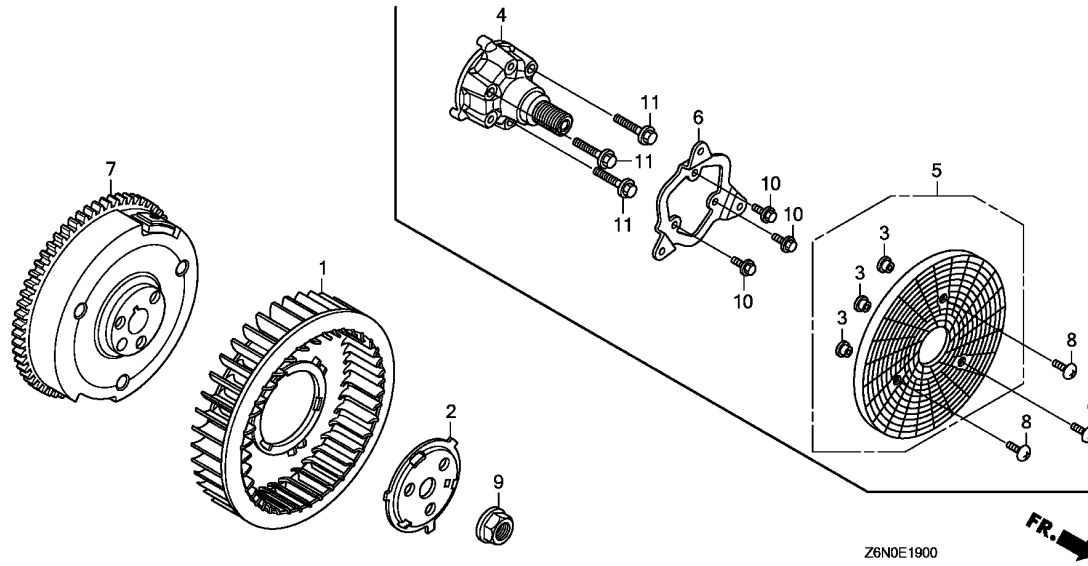
Ref. No.	L.O.N.	(Relative ref. Number) Description	F.R.T.
----------	--------	------------------------------------	--------

Ref. No.	Part No.	Description	Reqd. QTY			Serial No.	Parts catalogue code
			GX 630	GX 660	GX 690		
1	16700-Z6L-003	PUMP ASSY., FUEL	1	1	1	-----	BAFH,QAFH,QKF,QKW1,QKW2,QWD,QWF,QZK,SAE1,TAFH,TDW1,TKW1,TFX3,VAY VEPH,VXAH,VXEH,VYE3,VZE1,VZE8
2	16711-Z6L-000	STAY, FUEL PUMP	1	1	1	-----	BAFH,QAFH,QKF,QKW1,QKW2,QWD,QWF,QZK,SAE1,TAFH,TDW1,TKW1,TFX3,VAY VEPH,VXAH,VXEH,VYE3,VZE1,VZE8
3	16850-Z6L-000	TUBE COMP. A, FUEL (FKM)	1	-	1	-----	BAFH,QAFH,QKF,QKW1,QKW2,QWD,QWF,QZK,SAE1,TAFH,TAF5,TDW1,TKW1,TFX3 VAY,VEPH,VXAH,VXEH,VYE3,VZE1,VZE8
4	16860-Z6L-000	TUBE COMP. B, FUEL (FKM)	-	1	-	-----	BAFH,QAFH,QKF,QKW1,QKW2,QWD,QWF,QZK,SAE1,TAFH,TDW1,TKW1,TFX3,VAY VEPH,VXAH,VXEH,VYE3,VZE1,VZE8
5	16860-Z6L-800	TUBE COMP. B, FUEL (FKM)	1	1	1	-----	TAF5
6	16870-Z6L-000	TUBE, PURGE	1	1	1	-----	BAFH,QAFH,QKF,QKW1,QKW2,QWD,QWF,QZK,SAE1,TAFH,TDW1,TKW1,TFX3,VAY VEPH,VXAH,VXEH,VYE3,VZE1,VZE8
7	16882-Z6L-000	TUBE, DIAPHRAGM	1	1	1	-----	BAFH,QAFH,QKF,QKW1,QKW2,QWD,QWF,QZK,SAE1,TAFH,TDW1,TKW1,TFX3,VAY VEPH,VXAH,VXEH,VYE3,VZE1,VZE8
8	16910-Z6L-003	STRAINER COMP., FUEL	1	-	1	-----	BAFH,QAFH,QKF,QKW1,QKW2,QWD,QWF,QZK,SAE1,TAFH,TAF5,TDW1,TKW1,TFX3 VAY,VEPH,VXAH,VXEH,VYE3,VZE1,VZE8
9	17526-MCA-000	JOINT, FUEL RETURN	-	1	-	-----	TAF5
10	55109-GAA-000	CLAMP, OIL HOSE	-	1	1	-----	TAF5
11	80152-958-680	RUBBER, RR. FENDER	1	-	1	-----	BAFH,QAFH,QKF,QKW1,QKW2,QWD,QWF,QZK,SAE1,TAFH,TAF5,TDW1,TKW1,TFX3 VAY,VEPH,VXAH,VXEH,VYE3,VZE1,VZE8
12	93894-06016-00	SCREW-WASHER, 6X16	-	1	-	-----	BAFH,QAFH,QKF,QKW1,QKW2,QWD,QWF,QZK,SAE1,TAFH,TDW1,TKW1,TFX3,VAY VEPH,VXAH,VXEH,VYE3,VZE1,VZE8
13	95002-41000-08	CLAMP, TUBE (D10)	2	2	2	-----	BAFH,QAFH,QKF,QKW1,QKW2,QWD,QWF,QZK,SAE1,TAFH,TDW1,TKW1,TFX3,VAY VEPH,VXAH,VXEH,VYE3,VZE1,VZE8
			4	4	4	-----	BAFH,QAFH,QKF,QKW1,QKW2,QWD,QWF,QZK,SAE1,TAFH,TDW1,TKW1,TFX3,VAY VEPH,VXAH,VXEH,VYE3,VZE1,VZE8
			-	3	3	-----	TAF5





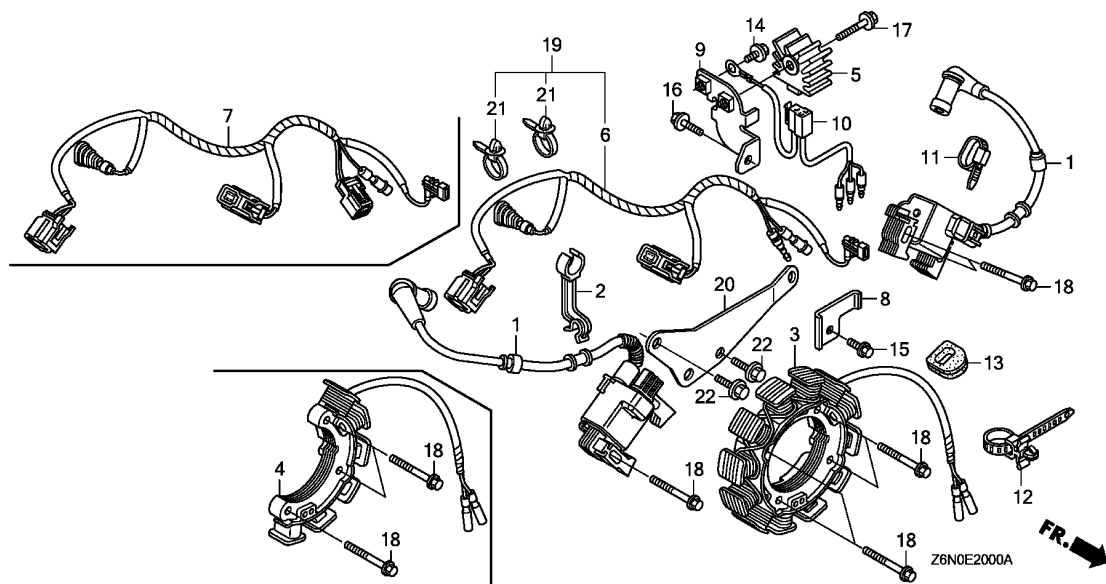
Ref. No.	Part No.	Description	Reqd. QTY			Serial No.	Parts catalogue code
			GX 630	GX 660	GX 690		
14	95002-41200-08	CLAMP, TUBE (D12)	-	1	1	-----	TAF5
15	95002-70000	CLIP, TUBE (C11)	2	2	2	-----	BAFH,QAFH,QKF,QKW1,QKW2,QWD,QWF,QZK,SAE1,TAFH,TDW1,TKW1,TFX3,VAY VEPH,VXAH,VXEH,VYE3,VZE1,VZE8
16	95701-06012-00	BOLT, FLANGE, 6X12	-	1	1	-----	TAF5
17	95701-06014-00	BOLT, FLANGE, 6X14	2	2	2	-----	BAFH,QAFH,QKF,QKW1,QKW2,QWD,QWF,QZK,SAE1,TAFH,TDW1,TKW1,TFX3,VAY VEPH,VXAH,VXEH,VYE3,VZE1,VZE8



Ref. No.	L.O.N. (Relative ref. Number)	Description	F.R.T.
----------	-------------------------------	-------------	--------

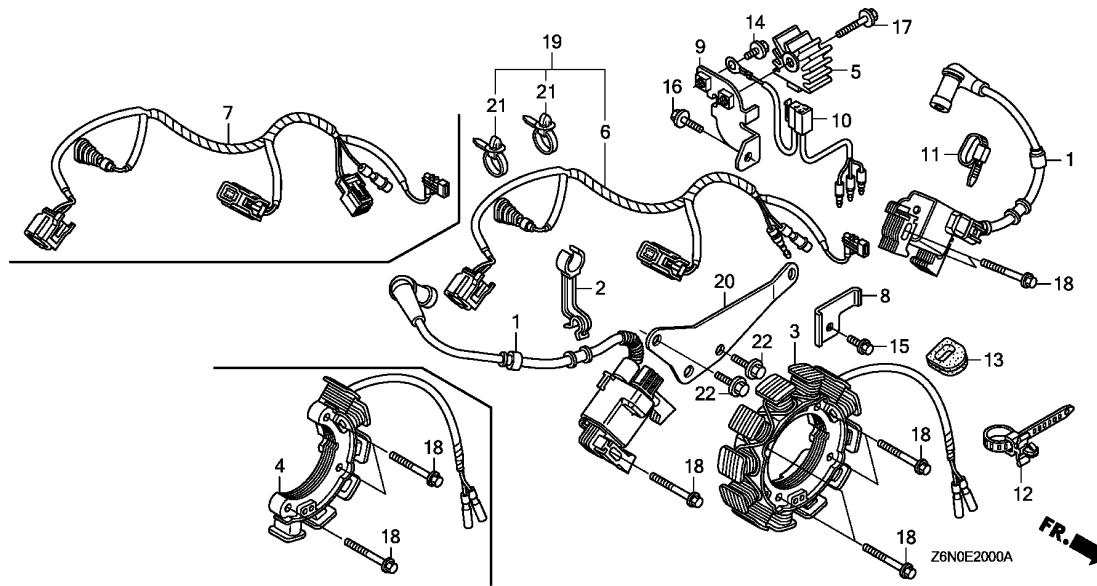
Ref. No.	Part No.	Description	Reqd. QTY			Serial No.	Parts catalogue code
			GX 630	GX 660	GX 690		
1	19511-Z6L-000	FAN, COOLING	1	1	1		
2	19513-Z6L-000	PLATE, COOLING FAN SETTING ..	1	1	1		
3	19619-Z0A-300	COLLAR, FAN COVER	3	-	-	-----	QWD
4	23311-Z6L-800	SHAFT, FR. P.T.O. (HS)	1	-	-	-----	QWD
5	28452-Z6L-810	GRID, SCREEN (P.T.O.)	1	-	-	-----	QWD
6	28454-Z6L-810	HOLDER, SCREEN GRID (P.T.O.) ..	1	-	-	-----	QWD
7	31110-Z6L-003	FLYWHEEL COMP.	1	1	1		
8	90131-S0X-A00	SCREW, TRUSS, 6X16	3	-	-	-----	QWD
9	90201-Z6L-000	NUT, SPECIAL (20MM)	1	1	1		
10	95701-06012-00	BOLT, FLANGE, 6X12	3	-	-	-----	QWD
11	95701-08050-00	BOLT, FLANGE, 8X50	3	-	-	-----	QWD





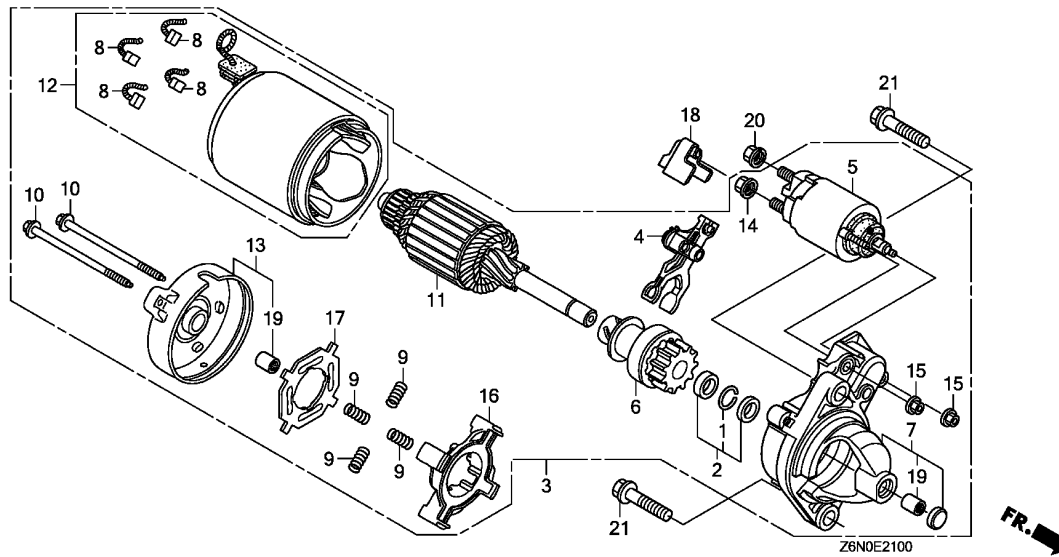
Ref. No.	L.O.N.	(Relative ref. Number)	Description	F.R.T.
----------	--------	------------------------	-------------	--------

Ref. No.	Part No.	Description	Reqd. QTY			Serial No.	Parts catalogue code
			GX 630	GX 660	GX 690		
1	30500-Z6L-003	COIL ASSY., IGNITION	2	2	2		
2	30551-Z6L-000	CLAMP, HIGH TENSION CORD	1	1	1		
3	31630-Z6L-003	COIL ASSY., CHARGE (17A)	1	1	1	-----	BAFH,QAFH,QKF,QKW2,QWD,QWF,TAFH,TAF5,TDW1
			-	1	1	-----	VAY
4	31630-Z6L-801	COIL ASSY., CHARGE (2.7A) ...	1	1	1	-----	QKW1,QZK,SAE1,TKW1,TFX3,VEPH,VXAH,VXC,VXC2,VXEH,VYE3,VZE1,VZE8
			1	-	-	-----	VAY
5	31750-735-013	RECTIFIER COMP., REGULATOR					
		(5A)	1	1	1	-----	QKW1,QZK,SAE1,TKW1,TFX3,VEPH,VXAH,VXEH,VZE1,VZE8
			1	-	-	-----	VAY
6	32110-Z6L-000	HARNESS ASSY., ENGINE WIRE ..	1	1	1	-----	QKF,QKW2,QWD,QWF,SAE1,TAF5,TDW1
	32110-Z6L-800	1	-	1	-----	VYE3,VZE8
7	32110-Z6L-810	HARNESS ASSY., ENGINE WIRE ..	1	1	1	-----	QZK,TFX3,VEPH,VXAH,VXEH,VZE1
	32110-Z6L-840	1	1	1	-----	BAFH,QAFH,TAFH
			-	1	1	-----	VAY
	32110-Z6L-850	1	1	1	-----	QKW1,TKW1
			1	-	-	-----	VAY
8	32114-Z6L-000	BRACKET, HARNESS	1	1	1		
9	32115-Z6L-000	BRACKET, REGULATOR RECTIFIER	1	1	1	-----	QKW1,QZK,TKW1,TFX3,VEPH,VXAH,VXEH,VZE1
			1	-	-	-----	VAY
			1	-	-	-----	1000001 SAE1
			1	-	-	-----	1000003 VZE8
10	32183-Z6L-000	HARNESS ASSY., REGULATOR					
		RECTIFIER	1	1	1	-----	QKW1,QZK,SAE1,TKW1,TFX3,VEPH,VXAH,VXEH,VZE1,VZE8
			1	-	-	-----	VAY
11	90650-KV6-003	BAND, WIRE, 95MM	1	1	1		
12	90672-SB2-003	STRAP, CABLE, 105MM(BLACK) ..	1	1	1	-----	QKF,QKW2,QWD,QWF,SAE1,TAF5,TDW1,VXC,VXC2,VYE3,VZE8
13	91601-Z6L-000	GROMMET, CORD	1	1	1		



Ref. No.	Part No.	Description	Reqd. QTY			Serial No.	Parts catalogue code
			GX 630	GX 660	GX 690		
14	95701-06008-00	BOLT, FLANGE, 6X8	1	1	1	----- QKW1,QZK,TKW1,TFX3,VEPH,VXAH,VXEH,VZE1	
			1	-	-	----- VAY	
			1	-	-	----- 1000001 SAE1	
			1	-	-	----- 1000003 VZE8	
15	95701-06012-00	BOLT, FLANGE, 6X12	1	1	1		
16	95701-06014-00	BOLT, FLANGE, 6X14	1	1	1	----- QKW1,QZK,TKW1,TFX3,VEPH,VXAH,VXEH,VZE1	
			1	-	-	----- VAY	
			1	-	-	----- 1000001 SAE1	
			1	-	-	----- 1000003 VZE8	
17	95701-06030-00	BOLT, FLANGE, 6X30	1	1	1	----- QKW1,QZK,TKW1,TFX3,VEPH,VXAH,VXEH,VZE1	
			1	-	-	----- VAY	
			1	-	-	----- 1000001 SAE1	
			1	-	-	----- 1000003 VZE8	
18	95701-06032-00	BOLT, FLANGE, 6X32	7	7	7	----- QKW1,QZK,SAE1,TKW1,TFX3,VEPH,VXAH,VXC,VXC2,VXEH,VYE3,VZE1,VZE8	
			7	8	8	----- VAY	
			8	8	8	----- BAFH,QKF,QKW2,QWD,QWF,TAFH,TAF5,TDW1	
			8	-	-	----- QAFH	
19	32110-Z6L-900	HARNESS ASSY., ENGINE WIRE ..	1	-	1	----- VXC2	
	32110-Z6L-910	1	-	1	----- VXC	
20	32114-Z6L-900	BRACKET, HARNESS	1	-	1	----- VXC,VXC2	
21	91541-SOA-003	CLIP, HARNESS BAND (BLACK) (145MM)	2	-	2	----- VXC,VXC2	
22	95701-06014-00	BOLT, FLANGE, 6X14	2	-	2	----- VXC,VXC2	

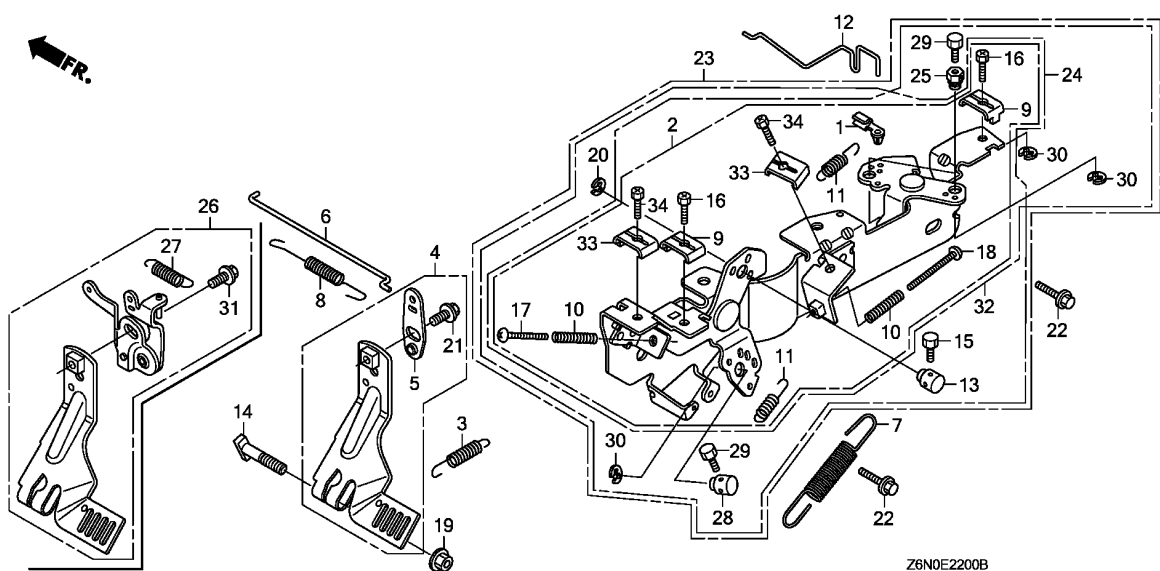




Ref. No.	L.O.N. (Relative ref. Number)	Description	F.R.T.
----------	-------------------------------	-------------	--------

2

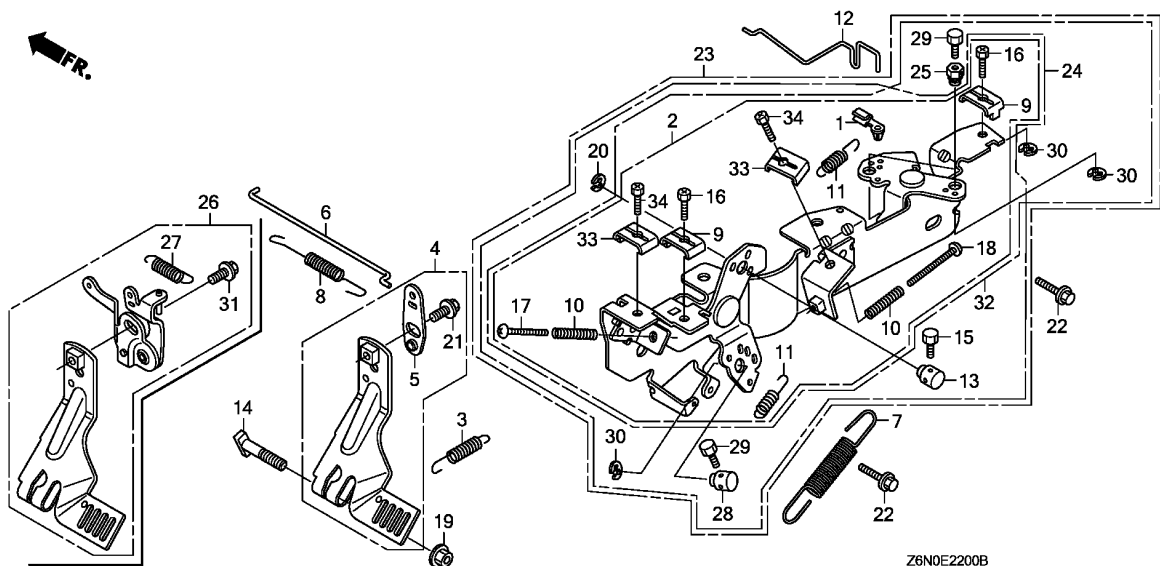
Ref. No.	Part No.	Description	Reqd. QTY			Serial No.	Parts catalogue code
			GX 630	GX 660	GX 690		
1	30201-PH9-004	RING, SNAP (DENSO)	1	1	1		
2	30202-PZ1-003	COLLAR SET, CLUTCH STOP	1	1	1		
3	31200-Z6L-003	MOTOR ASSY., STARTER	1	1	1		
4	31203-PH9-004	LEVER, PINION DRIVE	1	1	1		
5	31204-ZJ1-H02	SWITCH ASSY., MAGNET	1	1	1		
6	31207-ZE9-H01	CLUTCH COMP., OVERRUNNING ...	1	1	1		
7	31208-Z6L-003	HOUSING COMP., DRIVE SIDE ...	1	1	1		
8	31211-PH9-004	BRUSH	4	4	4		
9	31212-PH9-004	SPRING, BRUSH	4	4	4		
10	31214-PH9-004	BOLT, THROUGH	2	2	2		
11	31217-Z0A-003	ARMATURE COMP.	1	1	1		
12	31218-P64-N01	YOKE COMP.	1	1	1		
13	31219-Z6L-003	FRAME COMP., COMMUTATOR END ..	1	1	1		
14	31220-PH9-004	NUT, HEX., 8MM	1	1	1		
15	31223-PA0-006	NUT, HEX.	2	2	2		
16	31231-PH9-004	HOLDER, BRUSH	1	1	1		
17	31233-PH9-004	INSULATOR, BRUSH HOLDER	1	1	1		
18	31234-Z6L-000	COVER, TERMINAL	1	1	1		
19	91002-ZG4-801	BEARING A	2	2	2		
20	94070-08080	NUT-WASHER, 8MM	1	1	1		
21	95701-10040-00	BOLT, FLANGE, 10X40	2	2	2		



Ref. No.	L.O.N. (Relative ref. Number)	Description	F.R.T.
----------	-------------------------------	-------------	--------

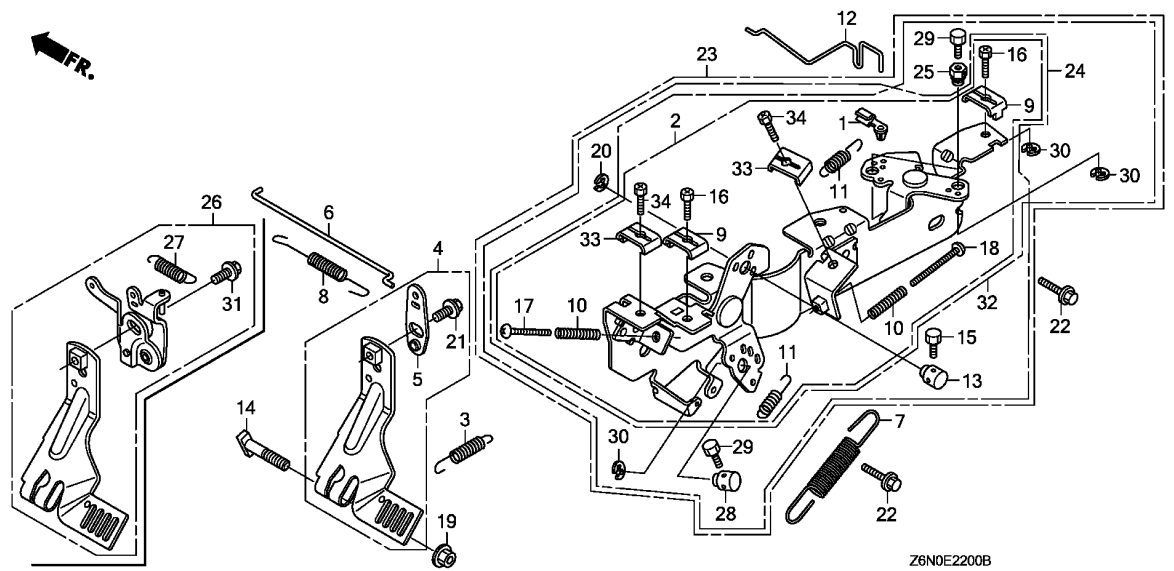
Ref. No.	Part No.	Description	Reqd. QTY			Serial No.	Parts catalogue code
			GX 630	GX 660	GX 690		
1	16263-Z0G-010	JOINT, ROD	1	1	1		
2	16500-Z6L-000	CONTROL ASSY.	1	-	-	1000254	VYE3
	16500-Z6L-010		1	-	-	1000255	TAF5, TXF3, VAY, VYE3
	16500-Z6L-800		-	1	-		VXE3
	16500-Z6L-801		-	-	1	1000090	VXEH
3	16534-Z6L-000	SPRING, STARTER	1	1	1		VXC, VXC2
4	16550-Z6L-000	ARM COMP., GOVERNOR	1	1	1	1000091	VXEH
	16550-Z6L-010		1	-	1		VXC, VXC2
5	16553-Z6L-000	ARM, SUB	1	-	-		
			-	1	1		BAFH, TAFH, TAF5, TDW1, TKW1, TXF3, VAY, VXC, VXC2, VYE3
6	16555-Z6L-000	ROD, GOVERNOR	1	-	1		BAFH, QAFH, QKF, QKW1, QKW2, QWD, QWF, QZK, SAE1, TAFH, TAF5, TDW1, TKW1, TXF3
	16555-Z6M-000		-	1	-		VAY, VEPH, VXAH, VXEH, VYE3, VZE1, VZE8
7	16561-Z6L-000	SPRING, GOVERNOR	1	1	1		VXC, VXC2
8	16562-Z6L-000	SPRING, THROTTLE RETURN	1	-	1		BAFH, QAFH, QKF, QKW1, QKW2, QWD, QWF, QZK, SAE1, TAFH, TAF5, TDW1, TKW1, TXF3
	16562-Z6M-000		-	1	-		VAY, VEPH, VXAH, VXEH, VYE3, VZE1, VZE8
			1	-	1		VXC, VXC2
9	16576-891-000	HOLDER, CABLE	2	2	2		VXC, VXC2, VXEH, VZE8
10	16584-883-300	SPRING, CONTROL ADJUSTING	1	1	1		BAFH, QAFH, QKF, QKW1, QKW2, QWD, QWF, QZK, SAE1, TAFH, TAF5, TDW1, TKW1, TXF3
			2	2	2		VAY, VEPH, VXAH, VYE3, VZE1





Z6N0E2200B

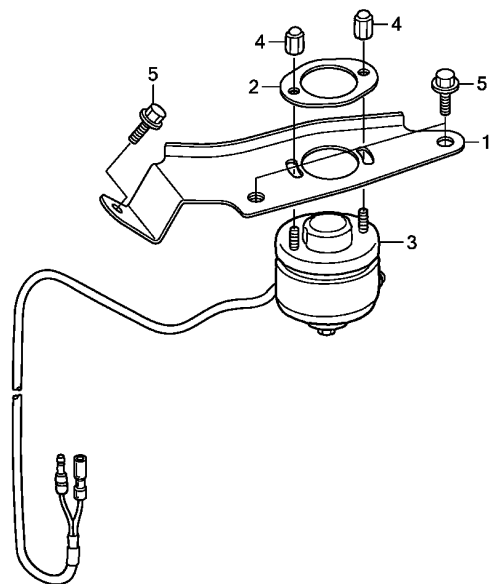
Ref. No.	Part No.	Description	Reqd. QTY			Serial No.	Parts catalogue code
			GX 630	GX 660	GX 690		
11	16592-ZJ1-000	SPRING, CABLE RETURN	2	2	2		
12	16611-Z6L-000	ROD, CHOKE CONTROL	1	-	1	-----	BAFH, QAFH, QKF, QKW1, QKW2, QWD, QWF, QZK, SAE1, TAFH, TAF5, TDW1, TKW1, TXF3 VAY, VEPH, VXAH, VXEH, VYE3, VZE1, VZE8
13	16617-Z6L-000	HOLDER, CABLE	-	1	-	-----	BAFH, QAFH, QKF, QKW1, QKW2, QWD, QWF, QZK, SAE1, TAFH, TDW1, TKW1, VEPH, VXAH VZE1
14	90015-ZE3-790	BOLT, GOVERNOR ARM	1	-	-	-----	VAY
15	92301-04006-0H	BOLT, RECESSED, 4X6	1	1	1	-----	BAFH, QAFH, QKF, QKW1, QKW2, QWD, QWF, QZK, SAE1, TAFH, TDW1, TKW1, VEPH, VXAH VZE1
			1	-	-	-----	VAY
16	92301-05016-0A	BOLT, RECESSED, 5X16	2	2	2		
17	93500-05030-0A	SCREW, PAN, 5X30	1	1	1	-----	BAFH, QAFH, QKF, QKW1, QKW2, QWD, QWF, QZK, SAE1, TAFH, TAF5, TDW1, TKW1, TXF3 VAY, VEPH, VXAH, VYE3, VZE1
	93500-05040-0A	SCREW, PAN, 5X40	1	1	1	-----	VXC, VXC2, VXEH, VZE8
18	93500-05045-0A	SCREW, PAN, 5X45	1	1	1	-----	BAFH, QAFH, QKF, QKW1, QKW2, QWD, QWF, QZK, SAE1, TAFH, TAF5, TDW1, TKW1, TXF3 VAY, VEPH, VXAH, VYE3, VZE1
19	94050-06000	NUT, FLANGE, 6MM	1	1	1		
20	94540-05018	E-RING, 5MM	1	1	1	-----	BAFH, QAFH, QKF, QKW1, QKW2, QWD, QWF, QZK, SAE1, TAFH, TDW1, TKW1, VEPH, VXAH VZE1
			1	-	-	-----	VAY
21	95701-06010-00	BOLT, FLANGE, 6X10	1	-	-	-----	
			-	1	1	-----	BAFH, TAFH, TAF5, TDW1, TKW1, TXF3, VAY, VXC, VXC2, VYE3
22	95701-06014-00	BOLT, FLANGE, 6X14	2	2	2		
23	16500-Z6L-810	CONTROL ASSY.	1	1	1	-----	QKF, QKW2, QWD, QWF, SAE1, TDW1
24	16500-Z6L-830	CONTROL ASSY.	1	1	1	-----	BAFH, QAFH, QKW1, QZK, TAFH, TKW1, VEPH, VXAH, VZE1
			1	-	-	-----	VAY



Ref. No.	Part No.	Description	Reqd. QTY			Serial No.	Parts catalogue code
			GX 630	GX 660	GX 690		
25	16594-883-010	HOLDER, WIRE	2	2	2	-----	QKF,QKW2,QWD,QWF,SAE1,TDW1,VZE8
26	16550-Z6L-800	ARM COMP., GOVERNOR	-	1	-	-----	VXEH
			-	-	1	1000154	VXEH
	16550-Z6L-801	-	-	1	1000155	VXEH
27	16592-Z6L-800	SPRING, RETURN	-	1	1	-----	VXEH
28	16617-Z6L-000	HOLDER, CABLE	1	1	1	-----	BAFH,QAFH,QKF,QKW1,QKW2,QWD,QWF,QZK,SAE1,TAFH,TDW1,TKW1,VEPH,VXAH
						-----	VZE1
			1	-	-	-----	VAY
29	92301-04006-0H	BOLT, RECESSED, 4X6	1	1	1	-----	BAFH,QAFH,QKW1,QZK,TAFH,TKW1,VEPH,VXAH,VZE1
			1	-	-	-----	VAY
			2	-	-	-----	VZE8
			3	3	3	-----	QKF,QKW2,QWD,QWF,SAE1,TDW1
30	94540-05018	E-RING, 5MM	1	1	1	-----	BAFH,QAFH,QKW1,QZK,TAFH,TKW1,VEPH,VXAH,VZE1
			1	-	-	-----	VAY
			2	-	-	-----	VZE8
			3	3	3	-----	QKF,QKW2,QWD,QWF,SAE1,TDW1
31	96001-06010-00	BOLT, FLANGE, 6X10	-	1	1	-----	VXEH
32	16500-Z6L-820	CONTROL ASSY.	1	-	-	-----	VZE8
33	16576-891-000	HOLDER, CABLE	2	2	2	-----	BAFH,QAFH,QKF,QKW1,QKW2,QWD,QWF,QZK,SAE1,TAFH,TAF5,TDW1,TKW1,TFX3
						-----	VAY,VEPH,VXAH,VYE3,VZE1
34	92301-05016-0A	BOLT, RECESSED, 5X16	2	2	2	-----	BAFH,QAFH,QKF,QKW1,QKW2,QWD,QWF,QZK,SAE1,TAFH,TAF5,TDW1,TKW1,TFX3
						-----	VAY,VEPH,VXAH,VYE3,VZE1



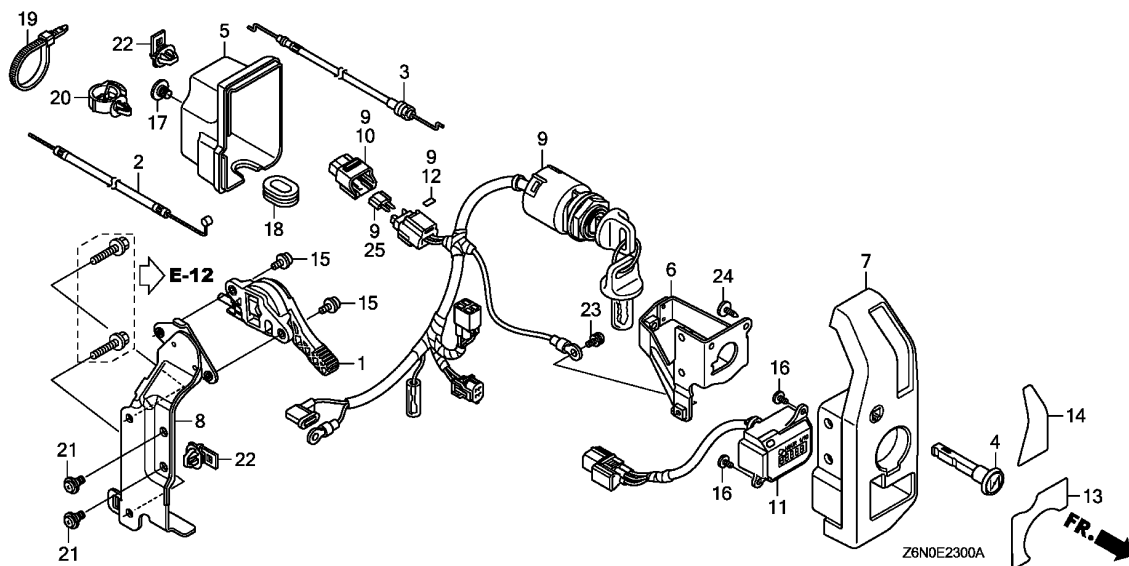
FR.



Z6N0E2220

Ref. No.	L.O.N.	(Relative ref. Number)	Description	F.R.T.
----------	--------	------------------------	-------------	--------

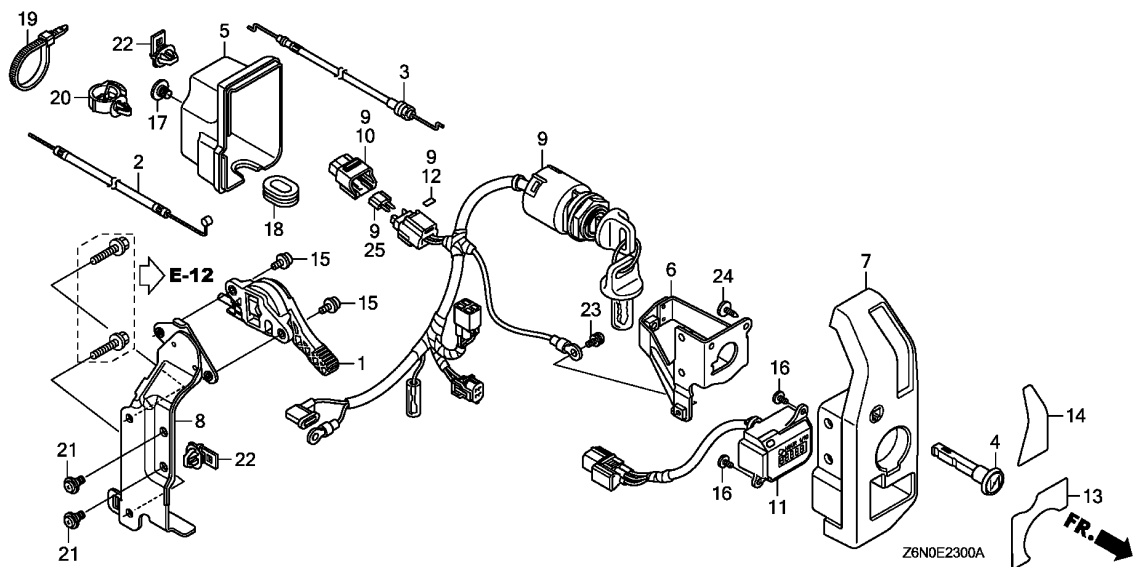
Ref. No.	Part No.	Description	Reqd. QTY			Serial No.	Parts catalogue code
			GX 630	GX 660	GX 690		
1	36335-Z6L-000	STAY, SOLENOID	-	1	1	-----	VXEH
2	36337-Z6L-000	PLATE, SOLENOID	-	1	1	-----	VXEH
3	36350-Z6L-003	SOLENOID ASSY., ROTARY	-	1	1	-----	VXEH
4	90202-ZJ1-840	NUT, SPECIAL CAP	-	2	2	-----	VXEH
5	95701-06014-00	BOLT, FLANGE, 6X14	-	3	3	-----	VXEH



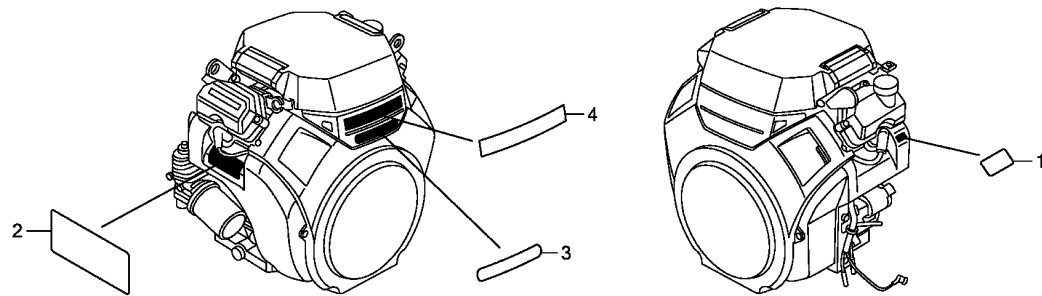
Ref. No.	L.O.N.	(Relative ref. Number) Description	F.R.T.
----------	--------	------------------------------------	--------

Ref. No.	Part No.	Description	Reqd. QTY			Serial No.	Parts catalogue code
			GX 630	GX 660	GX 690		
1	17850-Z6L-003	LEVER ASSY., THROTTLE	1	1	1	-----	BAFH,QAFH,QKW1,QZK,TAFH,TKW1,VAY,VEPH,VXAH,VZE1
2	17910-Z6L-000	CABLE COMP., THROTTLE	1	1	1	-----	BAFH,QAFH,QKW1,QZK,TAFH,TKW1,VAY,VEPH,VXAH,VZE1
3	17950-Z6L-000	CABLE COMP., CHOKE	1	1	1	-----	BAFH,QAFH,QKW1,QZK,TAFH,TKW1,TFX3,VAY,VEPH,VXAH,VXE1
4	17951-ZV1-000	KNOB, CHOKE	1	1	1	-----	BAFH,QAFH,QKW1,QZK,TAFH,TKW1,TFX3,VAY,VEPH,VXAH,VXE1
5	31612-Z6L-000	COVER, CONTROL	1	1	1	-----	BAFH,QAFH,QKW1,QZK,TAFH,TKW1,TFX3,VAY,VEPH,VXAH,VXE1
6	31614-Z6L-000	BRACKET, SWITCH BOX	1	1	1	-----	BAFH,QAFH,QKW1,QZK,TAFH,TKW1,TFX3,VAY,VEPH,VXAH,VXE1
7	32346-Z6L-000	PANEL, CONTROL	1	1	1	-----	BAFH,QAFH,QKW1,QZK,TAFH,TKW1,VAY,VEPH,VXAH,VZE1
	32346-Z6L-800	-	1	1	-----	TFX3,VXE1
8	32347-Z6L-000	BRACKET, CONTROL BOX	1	1	1	-----	BAFH,QAFH,QKW1,QZK,TAFH,TKW1,TFX3,VAY,VEPH,VXAH,VXE1
9	35100-Z6L-003	SWITCH ASSY., COMBINATION ...	1	1	1	-----	BAFH,QAFH,QKW1,QZK,TAFH,TKW1,TFX3,VAY,VEPH,VXAH,VXE1
10	38216-Z2E-003	COVER ASSY., FUSE	1	1	1	-----	BAFH,QAFH,QKW1,QZK,TAFH,TKW1,TFX3,VAY,VEPH,VXAH,VXE1
11	39700-Z6L-003	METER ASSY., HOUR	1	1	1	-----	BAFH,QAFH,QKW1,QZK,TAFH,TKW1,TFX3,VAY,VEPH,VXAH,VXE1
12	87117-Z2E-800	LABEL, FUSE (30A)	1	1	1	-----	BAFH,QAFH,QKW1,QZK,TAFH,TKW1,TFX3,VAY,VEPH,VXAH,VXE1
13	87501-Z6L-000	MARK, ENGINE SWITCH	1	1	1	-----	QZK,VEPH,VXAH,VXE1
	87501-Z6L-800	1	1	1	-----	BAFH,QAFH,QKW1,TAFH,TKW1,TFX3,VAY
14	87502-Z6L-000	MARK, THROTTLE SWITCH	1	1	1	-----	BAFH,QAFH,QKW1,QZK,TAFH,TKW1,VAY,VEPH,VXAH,VZE1
	87502-Z6L-800	-	1	1	-----	TFX3,VXE1
15	90011-Z0H-811	BOLT, SOCKET, 5X9	2	2	2	-----	BAFH,QAFH,QKW1,QZK,TAFH,TKW1,VAY,VEPH,VXAH,VZE1
16	90101-SP1-003	SCREW, TAPPING, 3X8(P0)	2	2	2	-----	BAFH,QAFH,QKW1,QZK,TAFH,TKW1,TFX3,VAY,VEPH,VXAH,VXE1
17	90380-MB2-000	SCREW, SPECIAL, 6X8	1	1	1	-----	BAFH,QAFH,QKW1,QZK,TAFH,TKW1,TFX3,VAY,VEPH,VXAH,VXE1
18	90601-Z6L-000	GROMMET, CONTROL BOX	1	1	1	-----	BAFH,QAFH,QKW1,QZK,TAFH,TKW1,TFX3,VAY,VEPH,VXAH,VXE1
19	90650-KV6-003	BAND, WIRE, 95MM	1	1	1	-----	BAFH,QAFH,QKW1,QZK,TAFH,TKW1,TFX3,VAY,VEPH,VXAH,VXE1
20	90681-763-A01	CLIP, WIRE HARNESS	1	1	1	-----	BAFH,QAFH,QKW1,QZK,TAFH,TKW1,TFX3,VAY,VEPH,VXAH,VXE1
21	91508-GN2-000	SCREW, PAN, 5X10.5	2	2	2	-----	BAFH,QAFH,QKW1,QZK,TAFH,TKW1,TFX3,VAY,VEPH,VXAH,VXE1
22	91565-SEL-003	CLIP, COUPLER (BLACK)	2	2	2	-----	BAFH,QAFH,QKW1,QZK,TAFH,TKW1,TFX3,VAY,VEPH,VXAH,VXE1





Ref. No.	Part No.	Description	Reqd. QTY			Serial No.	Parts catalogue code
			GX 630	GX 660	GX 690		
23	93893-05008-07	SCREW-WASHER, 5X8	1	1	1	-----	BAFH,QAFH,QKW1,QZK,TAFH,TKW1,TXF3,VAY,VEPH,VXAH,VXEH,VZE1
24	93913-25310	SCREW, TAPPING, 5X14(P0)	1	1	1	-----	BAFH,QAFH,QKW1,QZK,TAFH,TKW1,TXF3,VAY,VEPH,VXAH,VXEH,VZE1
25	98200-43000	FUSE, MINI (30A)	1	1	1	-----	BAFH,QAFH,QKW1,QZK,TAFH,TKW1,TXF3,VAY,VEPH,VXAH,VXEH,VZE1

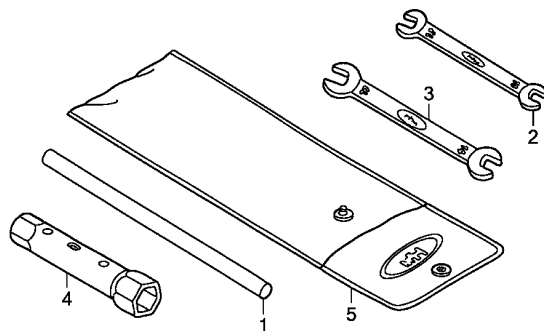


Z6N0E2800A

Ref. L.O.N. (Relative ref. Number) F.R.T.
No. Description

Ref. No.	Part No.	Description	Reqd. QTY			Serial No.	Parts catalogue code
			GX 630	GX 660	GX 690		
1	87114-ZH7-000	LABEL, WARNING (NOT CERTIFIED FOR SALE)	1	-	1	-----	BAFH,QAFH,QKF,QKW1,QKW2,QWD,QWF,QZK,SAE1,TAFH,TAF5,TDW1,TKW1,TFX3 VAY,VEPH,VXAH,VXEH,VYE3,VZE1,VZE8
	87114-ZH7-821	-	1	-	-----	VXC,VXC2
2	87516-ZH7-010	MARK, OPERATOR CAUTION (ENGLISH)(MADE IN JAPAN)	1	-	1	-----	VXC,VXC2,VZE1,VZE8
	87516-ZK6-000	MARK, OPERATOR CAUTION (CHINESE)(MADE IN JAPAN)	1	1	1	-----	BAFH,QAFH,TAFH,VAY,VEPH,VXAH,VXEH
	87516-Z2E-000	MARK, OPERATOR CAUTION	1	1	1	-----	QWD,QWF,SAE1,TAF5,TFX3
	87516-Z6L-800	1	1	1	-----	QKF,QKW1,QKW2,QZK,TDW1,TKW1
3	87521-Z6N-000	EMBLEM (GX630)	1	-	-	-----	
	87521-Z8N-000	EMBLEM (GX660)	-	1	-	-----	
	87521-Z6L-000	EMBLEM (GX690)	-	-	1	-----	
4	87531-Z6L-000	MARK, HONDA	1	1	1	-----	

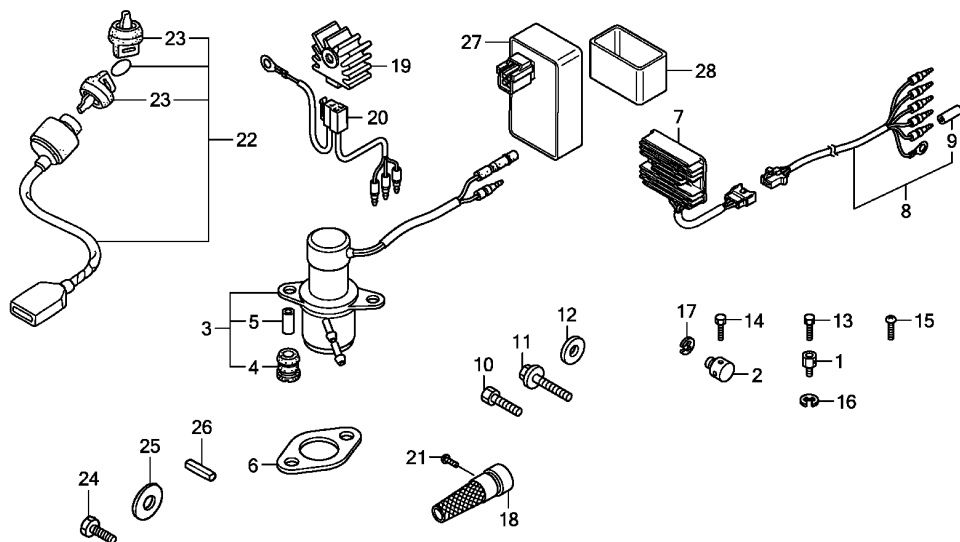




Z6N0E2900

Ref. No.	L.O.N.	(Relative ref. Number)	Description	F.R.T.
----------	--------	------------------------	-------------	--------

Ref. No.	Part No.	Description	Reqd. QTY			Serial No.	Parts catalogue code
			GX 630	GX 660	GX 690		
1	89219-805-000	HANDLE, BOX WRENCH	1	-	1	-----	VYE3
2	99001-10120	SPANNER, 10X12	1	-	1	-----	VYE3
3	99001-14170	SPANNER, 14X17	1	-	1	-----	VYE3
4	99004-16170	WRENCH, BOX (P16X17)	1	1	1	-----	QKW1,QWD,SAE1,TAF5,TKW1,TFX3,VEPH,VYE3
5	99008-02300	BAG, TOOL, 230MM	1	-	1	-----	VYE3

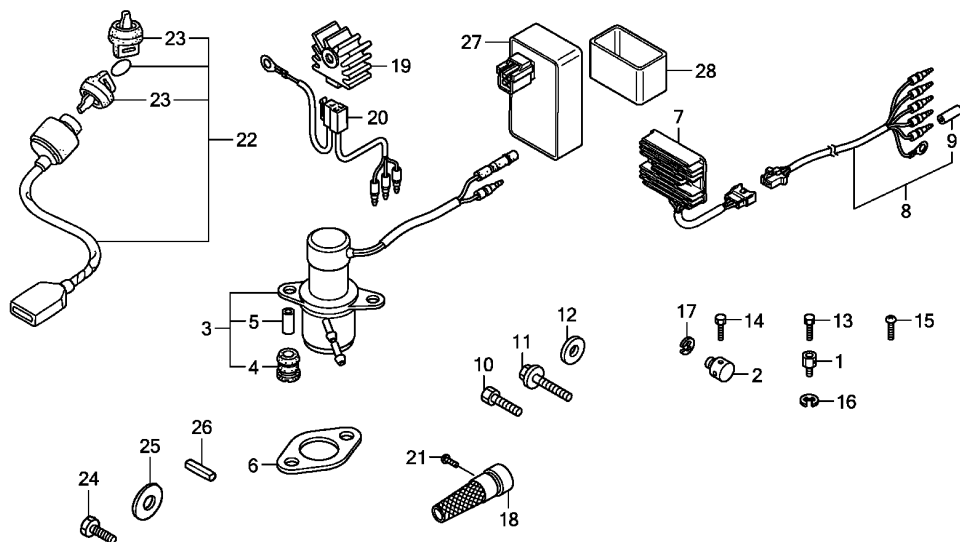


Z6N0E4000B

Ref. No.	L.O.N.	(Relative ref. Number)	Description	F.R.T.
----------	--------	------------------------	-------------	--------

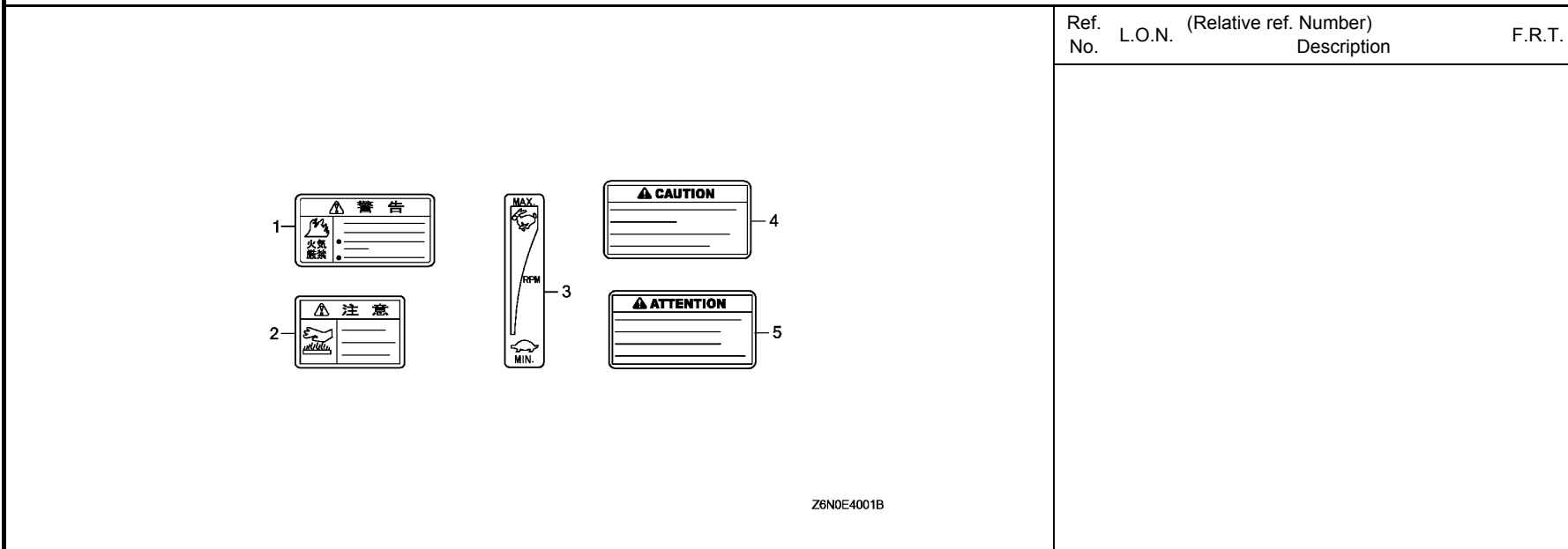
Ref. No.	Part No.	Description	Reqd. QTY			Serial No.	Parts catalogue code
			GX 630	GX 660	GX 690		
1	16594-883-010	HOLDER, WIRE	-	1	1	-----	TAF5,TXF3
2	16617-26L-000	HOLDER, CABLE	-	1	1	-----	TAF5,TXF3
3	16700-758-003	PUMP ASSY., FUEL	-	1	1	-----	TAF5
4	16711-679-000	RUBBER, FUEL PUMP MOUNTING ..	-	2	2	-----	TAF5
5	16712-657-300	COLLAR, FUEL PUMP DISTANCE ..	-	2	2	-----	TAF5
6	18333-ZE3-800	GASKET, EX. PIPE	2	-	2	-----	BAFH,QAFH,QKF,QKW1,QKW2,QWD,QWF,QZK,SAE1,TAFH,TAF5,TDW1,TKW1,TXF3 VAY,VEPH,VXAH,VXEH,VYE3,VZE1,VZE8
	18333-ZE3-801	-	2	-	-----	VXC,VXC2
7	31750-Z2E-803	RECTIFIER ASSY., REGULATOR (20A)	1	1	1	-----	BAFH,QAFH,QKF,QKW2,QWD,QWF,TAFH,TAF5,TDW1 VAY
8	32105-Z6L-000	HARNESS ASSY., SUB WIRE	1	1	1	-----	BAFH,QAFH,QKF,QKW2,QWF,TAFH,TAF5,TDW1 1000098 QWD VAY
9	32824-ZV5-003	PLUG, OUTER CONNECTOR	1	1	1	-----	BAFH,QAFH,QKF,QKW2,QWF,TAFH,TAF5,TDW1 1000098 QWD VAY
10	90003-ZE3-600	BOLT, HEX., 3/8-24UNF(25MM) ..	1	-	-	-----	QWF
11	90102-VA4-000	BOLT, ENGINE SETTING	3	-	-	-----	QWF
12	90471-ZE3-000	WASHER, 10.5X40X4	1	-	-	-----	QWF
13	92301-04006-0H	BOLT, RECESSED, 4X6	-	1	1	-----	TAF5,TXF3
14	92301-04006-0H	BOLT, RECESSED, 4X6	-	1	1	-----	TAF5,TXF3
15	93500-04008-0A	SCREW, PAN, 4X8	-	1	-	-----	TAF5
16	94540-05018	E-RING, 5MM	-	1	1	-----	TAF5,TXF3
17	94540-05018	E-RING, 5MM	-	1	1	-----	TAF5,TXF3





Z6N0E4000B

Ref. No.	Part No.	Description	Reqd. QTY			Serial No.	Parts catalogue code	
			GX 630	GX 660	GX 690			
18	18355-ZJ1-000	ARRESTER, SPARK	1	-	1	-----	VYE3	
19	31750-735-013	RECTIFIER COMP., REGULATOR (5A)	1	-	1	-----	VXC,VXC2,VYE3	
20	32183-Z6L-000	HARNESS ASSY., REGULATOR RECTIFIER	1	-	1	-----	VXC,VXC2,VYE3	
21	93901-250J0	SCREW, TAPPING, 5X8	1	-	1	-----	VYE3	
22	35100-768-S01	SWITCH ASSY., COMBINATION ...	1	-	-	1000099	-----	QWD
23	35110-736-612	KEY ASSY., COMBINATION SWITCH (BLACK)	2	-	-	1000099	-----	QWD
24	90003-ZE3-600	BOLT, HEX., 3/8-24UNF (25MM) .	1	-	-	1000099	-----	QWD
25	90534-706-010	WASHER, LOCK, 8MM	1	-	-	1000099	-----	QWD
26	90745-ZE2-600	KEY, 6.3X6.3X43	1	-	-	1000099	-----	QWD
27	34341-Z6L-003	CONTROL UNIT, VALVE	1	-	1	-----	VXC,VXC2	
28	34343-Z6L-003	CUSHION, VALVE CONTROL UNIT .	1	-	1	-----	VXC,VXC2	



Ref. L.O.N. (Relative ref. Number) F.R.T.
No. Description

Ref. No.	Part No.	Description	Reqd. QTY			Serial No.	Parts catalogue code
			GX 630	GX 660	GX 690		
1	87106-737-J00	MARK, FUEL WARNING	1	-	-	-----	QWF
2	87539-737-J00	MARK, HEAT CAUTION	1	1	1	-----	QWF,SAE1,TAF5,TF3
3	87532-ZH7-800	MARK, THROTTLE INDICATION ...	-	-	1	-----	1000098 QWD
4	87539-Z0J-000	MARK, EX. CAUTION (ENGLISH) -	(1)	-	(1)	-----	TDW1
5	87539-Z0J-810	MARK, EX. CAUTION (FRENCH) -	(1)	-	(1)	-----	VXC,VXC2



PART NO. INDEX

F 1

Part Number	Address	Page	Ref.	Part Number	Address	Page	Ref.	Part Number	Address	Page	Ref.	Part Number	Address	Page	Ref.	Part Number	Address	Page	Ref.				
06000				14751-Z6L-000	C10	22	11	C15	27	6	16920-Z6L-900	C15	27	9	19511-Z6L-000	D11	39	1	19513-Z6L-000	D11	39	2	
06183-Z6L-010	D3	31	1	14763-Z6L-000	C10	22	12	16215-MV4-000	C13	25	17	17000				19610-Z6L-000ZA	C11	23	2	19610-Z6L-000ZB	C11	23	2
06183-Z6L-801	D5	33	1	14764-Z6L-000	C10	22	13	D2	30	2	17101-Z6L-000	C1	13	10	19610-Z6M-000ZA	C11	23	2	19610-Z6M-000ZB	C11	23	2	
06183-Z6L-811	D7	35	13	14771-ZE1-000	C10	22	14	16221-Z6L-000	C13	25	18	17101-Z6M-000	C2	14	19	19619-Z0A-300	C11	23	3	C16	28	9	
06184-Z6L-810	D8	36	14	15000				16263-Z0G-010	D15	43	1	17210-Z6L-010	C16	28	1	C16	28	9		D2	30	13	
06185-Z6L-000	D3	31	2	15133-Z6L-000	C5	17	2	16347-ZN1-820	C15	27	8	17210-Z6L-900	D2	30	3	D11	39	3					
	D5	33	2	15140-Z6L-000	C5	17	3	16500-Z6L-000	D15	43	2	17218-Z6M-000	D2	30	5	19621-Z6L-000	C11	23	4				
11000				15140-Z6L-010	C5	17	3	16500-Z6L-010	D15	43	2	17219-ZJ1-840	D2	30	6	19631-Z6L-000	C11	23	5				
11100-Z6L-000	C3	15	1	15220-Z6L-000	C5	17	4	16500-Z6L-800	D15	43	2	17220-Z6L-000	C16	28	2	19641-Z6L-000	C11	23	6				
11100-Z6L-800	C3	15	1	15232-Z6L-000	C5	17	5	16500-Z6L-801	D15	43	2	17220-Z6L-900	D2	30	7	19642-Z6L-000	C11	23	7				
11100-Z6L-810	C3	15	1	15400-RTA-004	C5	17	6	16500-Z6L-810	D16	44	23	17223-Z6L-000	C16	28	3	19642-Z6L-800	C11	23	7				
11100-Z6L-820	C3	15	1	15410-Z6L-000	C5	17	7	16500-Z6L-820	E1	45	32	17228-Z6L-000	C13	25	19	23000							
11300-Z6L-000	C5	17	1	15410-Z6L-800	C5	17	8	16500-Z6L-820	E1	45	32	C15	27	10									
11300-Z6L-010	C5	17	1	15410-Z6L-820	C5	17	8	16500-Z6L-830	D16	44	24	C13	25	20									
11911-Z6L-000	C1	13	1	15423-Z6L-000	C5	17	9	16510-Z6L-000	C5	17	13	C16	28	5	23311-Z6L-800	D11	39	4					
				15424-Z6L-000	C3	15	4	16510-Z6L-010	C6	18	13	C16	28	6	28000								
12000				15571-ZM7-003	C3	15	5	16511-Z6L-300	C6	18	14	D2	30	8									
12110-Z6L-000	C1	13	2	15572-Z6L-000	C3	15	6	16511-Z6L-310	C6	18	14	D2	30	8	28452-Z6L-810	D11	39	5					
12110-Z6L-900	C1	13	2	15600-Z6L-000	C1	13	7	16512-Z6L-300	C6	18	15	D2	30	8	28454-Z6L-810	D11	39	6					
12120-Z6L-000	C1	13	3	15625-Z6L-000	C1	13	8	16512-Z6L-310	C6	18	15	C16	28	5	30000								
12120-Z6L-900	C1	13	3	15655-Z6L-000	C5	17	11	16513-Z6L-000	C6	18	16	C16	28	5									
12208-Z6L-003	C10	22	1	15665-Z6L-000	C5	17	12	16531-Z6L-000	C6	18	17	D2	30	10									
12311-Z6L-000	C1	13	4	15721-Z6L-000	C12	24	1	16534-Z6L-000	D15	43	3	D2	30	11	30201-PH9-004	D14	42	1					
12311-Z6L-800	C1	13	5	15721-Z6M-000	D2	30	1	16541-Z6L-000	C3	15	7	D2	30	10	30202-PZ1-003	D14	42	2					
12312-Z6L-000	C1	13	6	16000				16550-Z6L-000	D15	43	4	D2	30	11	30500-Z6L-003	D12	40	1					
12356-Z6L-000	C3	15	2	16010-Z6L-003	C12	24	2	16550-Z6L-010	D15	43	4	C13	25	21	30551-Z6L-000	D12	40	2					
12367-Z6L-000	C3	15	3	16013-Z6L-003	C12	24	3	16550-Z6L-800	E1	45	26	D2	30	12	31000								
13000				16015-Z6L-003	C12	24	4	16550-Z6L-801	E1	45	26	C13	25	22	31110-Z6L-003	D11	39	7					
13010-Z6L-003	C9	21	1	16015-Z6L-901	C15	27	1	16553-Z6L-000	D15	43	5	C16	28	8	31200-Z6L-003	D14	42	3					
13101-Z6L-000	C9	21	2	16016-Z6L-003	C12	24	5	16555-Z6L-000	D15	43	6	D9	37	9	31203-PH9-004	D14	42	4					
13111-Z6L-000	C9	21	3	16015-Z6L-003	C12	24	4	16555-Z6M-000	D15	43	6	E3	47	1	31204-ZJ1-H02	D14	42	5					
13210-Z6L-000	C9	21	4	16015-Z6L-901	C15	27	1	16561-Z6L-000	D15	43	7	E3	47	2	31207-ZE9-H01	D14	42	6					
13211-Z6L-003	C9	21	5	16016-Z6L-003	C12	24	5	16562-Z6L-000	D15	43	8	E3	47	3	31208-Z6L-003	D14	42	7					
13310-Z6L-000	C8	20	1	16024-124-760	C12	24	6	16562-Z6M-000	D15	43	8	E3	47	3	31211-PH9-004	D14	42	8					
13310-Z6L-600	C8	20	2	16081-Z6L-003	C14	26	29	16576-891-000	D15	43	9	E3	47	3	31212-PH9-004	D14	42	9					
13310-Z6L-610	C8	20	9	16100-Z6L-003	C12	24	7	16584-883-300	D15	43	10	E3	47	3	31214-PH9-004	D14	42	10					
13310-Z6L-620	C8	20	3	16100-Z6L-851	C12	24	7	16592-Z6L-800	E1	45	27	E3	47	3	31217-Z0A-003	D14	42	11					
13310-Z6L-640	C8	20	4	16100-Z6L-901	C15	27	2	16592-ZJ1-000	D16	44	11	E3	47	3	31218-P64-N01	D14	42	12					
13310-Z6L-650	C8	20	5	16100-Z8N-003	C12	24	7	16594-883-010	E1	45	25	E3	47	3	31219-Z6L-003	D14	42	13					
14000				16100-Z8N-851	C12	24	7	16611-Z6L-000	D16	44	12	E3	47	4	31220-PH9-004	D14	42	14					
14100-Z6L-000	C10	22	2	16100-Z9E-003	C12	24	7	16617-Z6L-000	D16	44	13	E3	47	4	31223-PA0-006	D14	42	15					
14410-Z6L-000	C10	22	3	16113-Z6L-003	C14	26	30	16617-Z6L-000	D16	44	13	E3	47	4	31231-PH9-004	D14	42	16					
14431-Z6L-000	C10	22	4	16124-ZE0-005	C12	24	8	16700-Z6L-003	D9	37	1	E3	47	4	31233-PH9-004	D14	42	17					
14461-Z6L-000	C10	22	5	16126-Z6L-003	C13	25	9	16700-Z6L-003	D9	37	1	E3	47	4	31234-Z6L-000	D14	42	18					
14568-Z6L-000	C10	22	6	16148-141-881	C13	25	10	16711-679-000	E7	51	4	E3	47	4	31612-Z6L-000	E3	47	5					
14711-Z6L-000	C10	22	7	16155-Z6L-003	C13	25	11	16711-Z6L-000	D9	37	2	E3	47	4	31614-Z6L-000	E3	47	6					
14711-Z6L-900	C10	22	7	16163-Z6L-901	C15	27	5	16712-657-300	E7	51	5	E3	47	4	31630-Z6L-003	D12	40	3					
14721-Z6L-000	C10	22	8	16166-Z6L-003	C13	25	12	16715-Z6L-000	C11	23	1	E3	47	4	31630-Z6L-801	D12	40	4					
14721-Z6L-900	C10	22	8	16166-Z8N-003	C13	25	12	16722-Z6L-000	C1	13	9	E3	47	4	31750-735-013	D12	40	5					
14730-Z6L-000	C10	22	9	16176-Z2G-D51	C13	25	13	16850-Z6L-000	D9	37	3	E3	47	4	E8	52	19						
14735-Z6L-000	C10	22	10	16176-Z6L-000	C13	25	14	16860-Z6L-000	D9	37	4	E8	52	18	E8	52	19						
				16176-Z6L-800	C13	25	14	16870-Z6L-000	D9	37	5	E8	52	18	E7	51	7						
				16176-Z6L-800	C13	25	14	16882-Z6L-000	D9	37	6	E8	52	18	E7	51	7						
				16176-Z6L-800	C13	25	14	16910-Z6L-003	D9	37	7	E8	52	18	E7	51	7						
				16176-Z6L-800	C13	25	14				8	E8	52	18	E7	51	7						
				16176-Z6L-800	C13	25	14				8	E8	52	18	E7	51	7						
				16176-Z6L-800	C13	25	14				8	E8	52	18	E7	51	7						
				16176-Z6L-800	C13	25	14				8	E8	52	18	E7	51	7						
				16176-Z6L-800	C13	25	14				8	E8	52	18	E7	51	7						

PART NO. INDEX

Part Number	Address	Page	Ref.	Part Number	Address	Page	Ref.	Part Number	Address	Page	Ref.	Part Number	Address	Page	Ref.				
32000				84000				90551-ZE1-000				93500-04012-1H				95701-06028-00			
32105-Z6L-000	E7	51	8	84601-HA7-670	C11	23	8	90601-Z6L-000	E3	47	18	93500-04014-1H	C15	27	13	95701-06030-00	C1	13	15
32110-Z6L-000	D12	40	6					90602-ZE1-000	C6	18	19	93500-05030-0A	D16	44	17		D13	41	17
32110-Z6L-800	D12	40	6	87000				90649-SB0-671	C15	27	12	93500-05040-0A	D16	44	17	95701-06032-00	D13	41	18
32110-Z6L-810	D12	40	7					90650-KV6-003	D12	40	11	93892-05010-18	C14	26	31	95701-06035-00	C6	18	30
32110-Z6L-840	D12	40	7	87106-737-J00	E9	53	1		E3	47	19	93893-05008-07	E4	48	23	95701-06050-00	C1	13	16
32110-Z6L-850	D12	40	7	87114-ZH7-000	E5	49	1	90672-SB2-003	D12	40	12	93894-06016-00	D9	37	12	95701-06090-00	C7	19	31
32110-Z6L-900	D13	41	19	87114-ZH7-821	E5	49	1	90681-763-A01	E3	47	20	93901-250J0	D3	31	6	95701-06110-00	D2	30	17
32110-Z6L-910	D13	41	19	87117-Z2E-800	E3	47	12	90705-Z6L-000	C9	21	8		D5	33	6	95701-08016-00	C2	14	17
32114-Z6L-000	D12	40	8	87501-Z6L-000	E3	47	13	90707-Z6L-000	C6	18	20		E8	52	21	95701-08020-00	D4	32	11
32114-Z6L-900	D13	41	20	87501-Z6L-800	E3	47	13		C10	22	18	93913-25310	E4	48	24		D6	34	11
32115-Z6L-000	D12	40	9	87502-Z6L-000	E3	47	14	90708-Z6L-000	C6	18	21	93913-25580	C11	23	11	95701-08030-00	D7	35	11
32183-Z6L-000	D12	40	10	87502-Z6L-800	E3	47	14	90709-Z6L-000	C3	15	12					95701-08045-00	C7	19	32
	E8	52	20	87516-Z2E-000	E5	49	2	90741-ZE2-000	C8	20	7	94000				95701-08050-00	D11	39	11
32346-Z6L-000	E3	47	7	87516-Z6L-800	E5	49	2	90745-ZE2-600	C8	20	8	94050-06000	D1	29	12	95701-08060-00	D7	35	12
32346-Z6L-800	E3	47	7	87516-ZH7-010	E5	49	2		E8	52	26		D2	30	15	95701-10040-00	D14	42	21
32347-Z6L-000	E3	47	8	87516-ZK6-000	E5	49	2	90802-Z6L-000	D1	29	11		D16	44	19	96000			
32824-ZV5-003	E7	51	9	87521-Z6L-000	E5	49	3		D2	30	14	94050-08000	C1	13	13		E1	45	31
				87521-Z6N-000	E5	49	3	90902-Z6L-000	C6	18	22		D3	31	9	98000			
				87521-Z8N-000	E5	49	3					D5	33	9	99000				
34000								91000				94050-10000	C1	13	14				
34341-Z6L-003	E8	52	27	87531-Z6L-000	E5	49	4	91002-ZG4-801	D14	42	19	94070-08080	D14	42	20				
34343-Z6L-003	E8	52	28	87532-ZH7-800	E9	53	3	91201-Z6L-003	C3	15	13	94109-20000	C4	16	20	98079-5547G	C2	14	18
				87539-737-J00	E9	53	2	91202-Z6L-003	C6	18	23	94251-10000	C4	16	21	98079-5587G	C2	14	18
				87539-Z0J-000	E9	53	4	91203-Z6L-003	C3	15	14	94540-05018	D16	44	20	98200-43000	E4	48	25
				87539-Z0J-810	E9	53	5	91301-Z6L-003	C6	18	24		E1	45	30				
35000								91302-Z6L-003	C6	18	25		E7	51	16				
35100-768-S01	E8	52	22	89000				91308-PH9-000	C6	18	26								
35100-Z6L-003	E3	47	9					91308-Z6L-003	C3	15	15	95000				99001-10120	E6	50	2
35110-736-612	E8	52	23	89219-805-000	E6	50	1		C6	18	27					99001-14170	E6	50	3
35480-Z6L-003	C3	15	8					91309-Z6L-000	C3	15	16					99004-16170	E6	50	4
				90000				91508-GN2-000	E3	47	21	95002-02080	C13	25	25	99008-02300	E6	50	5
36000				90001-Z6L-000	C9	21	6	91541-S0A-003	D13	41	21	95002-41000-08	D9	37	13	99101-ZH8-0900	C13	25	26
36335-Z6L-000	E2	46	1	90002-ZG5-004	C3	15	10	91565-SEL-003	E3	47	22	95002-41200-08	D10	38	14	99101-ZH8-0920	C14	26	27
36337-Z6L-000	E2	46	2					91601-Z6L-000	D12	40	13	95002-70000	D10	38	15	99101-ZH8-0950	C13	25	26
36350-Z6L-003	E2	46	3	90003-Z6L-000	C13	25	23					95701-06008-00	D3	31	10	99101-ZH8-0980	C14	26	27
				90003-ZE3-600	E7	51	10	92000				D5	33	10	99101-ZH8-1000	C13	25	26	
					E8	52	24					D7	35	8	99101-ZH8-1020	C14	26	27	
37000				90005-Z6L-000	C11	23	9	92301-04006-0H	D16	44	15		D13	41	14	99101-ZH8-1050	C14	26	26
37240-ZG5-004	C3	15	9	90011-Z0H-811	E3	47	15		E1	45	29	95701-06010-00	D16	44	21				
	C7	19	33	90012-Z6L-000	C10	22	15		E7	51	13	95701-06012-00	D7	35	9				
				90015-ZE3-790	D16	44	14					D10	38	16	99101-ZH8-1100	C14	26	26	
38000				90043-Z6L-000	C2	14	20					D11	39	10					
				90055-ZE1-000	D8	36	16	92301-05016-0A	D16	44	16		D13	41	15	99101-ZH8-1120	C14	26	26
38216-Z2E-003	E3	47	10	90101-SP1-003	E3	47	16		E1	45	34		D13	41	15				
				90102-VA4-000	E7	51	11	92800-20000	C3	15	17	95701-06014-00	C4	16	22				
				90131-S0X-A00	D11	39	8	92900-08022-0E	C1	13	12		D10	38	17	99101-ZH8-1180	C14	26	26
				90201-Z6L-000	D11	39	9	92900-08045-0B	D3	31	7		D13	41	16				
39700-Z6L-003	E3	47	11	90202-ZJ1-840	E2	46	4		D5	33	7				99204-ZE2-0400	C14	26	28	
				90206-Z6L-000	C10	22	16	92900-08060-0B	D3	31	8		D16	44	22	99204-ZE2-0450	C14	26	28
				90325-044-000	D1	29	10		D5	33	8		E2	46	5				
55000				90380-GM9-740	C11	23	10	92900-10040-0B	C4	16	18	95701-06016-00	C4	16	23				
55109-GAA-000	D9	37	10	90380-MB2-000	E3	47	17					C11	23	12					
				90402-Z6L-000	C8	20	6	93000				D2	30	16					
				90403-Z6L-000	C6	18	18						D1	29	13				
				90404-Z6L-000	C3	15	11	93500-03008-0A	C4	16	19	95701-06018-00	D1	29	13				
80152-958-680	D9	37	11	90471-ZE3-000	E7	51	12	93500-04008-0A	E7	51	15	95701-06020-00	C6	18	28				
				90534-706-010	E8	52	25	93500-04008-4J	D7	35	7	95701-06022-00	C11	23	13				
													C10	22	19				



PART NAME INDEX

G 2

Part name	Address	Page	Ref.	Part name	Address	Page	Ref.	Part name	Address	Page	Ref.
DOWEL PIN, 9X10	C9	21	8	HOLDER, SCREEN GRID	D11	39	6	MUFFLER KIT	D5	33	1
[E]				HOLDER, WIRE	E1	45	25		D7	35	13
ELBOW COMP., AIR CLEANER	C13	25	22		E7	51	1	[N]			
ELEMENT COMP., AIR CLEANER	C16	28	1	HOSE, FUEL	C15	27	8	NOZZLE, MAIN	C13	25	12
	D2	30	3	HOUSING COMP., DRIVE SIDE	D14	42	7	NUT-WASHER, 8MM	D14	42	20
EMBLEM	E5	49	3	[I]				NUT, FENDER SETTING	C11	23	8
E-RING, 5MM	D16	44	20	INSULATOR, BRUSH HOLDER	D14	42	17	NUT, FLANGE, 10MM	C1	13	14
	E1	45	30	INSULATOR, CARBURETOR	C13	25	16	NUT, FLANGE, 6MM	D1	29	12
	E7	51	16		C15	27	6		D2	30	15
			17	[J]					D16	44	19
[F]				JET SET, PILOT,	C14	26	28	NUT, FLANGE, 8MM	C1	13	13
FAN, COOLING	D11	39	1	JET, MAIN,	C13	25	26		D3	31	9
FILTER, BREATHER	C3	15	3		C14	26	26		D5	33	9
FILTER, OUTER	D2	30	5					NUT, HEX.	D14	42	15
FLOAT SET	C12	24	3	JOINT COMP., FUEL	C15	27	9	NUT, HEX., 8MM	D14	42	14
FLYWHEEL COMP.	D11	39	7	JOINT, FUEL RETURN	D9	37	9	NUT, SPECIAL	D11	39	9
FRAME COMP., COMMUTATOR END ..	D14	42	13	JOINT, ROD	D15	43	1	NUT, SPECIAL CAP	E2	46	4
FUSE, MINI	E4	48	25					NUT, TAPPET ADJUSTING	C10	22	16
				[K]				NUT, TOOL BOX SETTING	D1	29	10
[G]				KEY ASSY., COMBINATION SWITCH ..	E8	52	23	[O]			
GASKET SET	C12	24	2	KEY, 6.3X6.3X43	C8	20	8	OIL SEAL, 10X16X5	C3	15	14
GASKET, EX. PIPE	E7	51	6					OIL SEAL, 38X58X9	C3	15	13
GASKET, FLOAT CHAMBER	C15	27	5	KEY, SPECIAL WOODRUFF, 25X18 ..	E8	52	26		C6	18	23
GAUGE COMP., OIL LEVEL	C5	17	11	KNOB, AIR CLEANER COVER	C8	20	7	O-RING, 14.8X2.4	C6	18	24
GEAR COMP., OIL PUMP	C5	17	3		C16	28	6	O-RING, 37.9X2.4	C3	15	16
GOVERNOR ASSY.	C5	17	13	KNOB, CHOKE	D2	30	9	O-RING, 8.8X1.9	C6	18	26
	C6	18	13		E3	47	4	O-RING, OIL PUMP	C6	18	25
GRID, SCREEN	D11	39	5	[L]				[P]			
GROMMET, AIR CLEANER	C16	28	5	LABEL, FUSE	E3	47	12	PACKING, AIR CLEANER	C13	25	19
GROMMET, CONTROL BOX	E3	47	18	LABEL, WARNING	E5	49	1		C15	27	10
GROMMET, CORD	D12	40	13	LEVER ASSY., THROTTLE	E3	47	1	PACKING, AIR CLEANER CASE	C16	28	8
				LEVER, PINION DRIVE	D14	42	4	PACKING, CARBURETOR	C13	25	18
[H]				LIFTER ASSY., VALVE	C10	22	9		C15	27	7
HANDLE, BOX WRENCH	E6	50	1	[M]				PACKING, HEAD COVER	C1	13	6
HANGER, ENGINE	C1	13	1	MANIFOLD, INTAKE	C1	13	10	PACKING, INTAKE MANIFOLD	C1	13	11
HARNES ASSY., ENGINE WIRE ...	D12	40	6		C2	14	19	PACKING, OIL FILLER CAP	C1	13	8
				MARK, ENGINE SWITCH	E3	47	13	PACKING, OIL PASS	C3	15	15
HARNES ASSY., REGULATOR	D13	41	19	MARK, EX. CAUTION	E9	53	4		C6	18	27
RECTIFIER	D12	40	10	MARK, FUEL WARNING	E9	53	1	PANEL, CONTROL	E3	47	7
	E8	52	20	MARK, HEAT CAUTION	E9	53	2	PIN, GOVERNOR WEIGHT	C6	18	16
HARNES ASSY., SUB WIRE	E7	51	8	MARK, HONDA	E5	49	4	PIN, LOCK, 10MM	C4	16	21
HEAD COMP., CYLINDER	C1	13	2	MARK, OPERATOR CAUTION	E5	49	2	PIN, PISTON	C9	21	3
				MARK, THROTTLE INDICATION	E9	53	3	PIPE COMP., EX.	D7	35	4
HOLDER, BRUSH	D14	42	16	MARK, THROTTLE SWITCH	E3	47	14	PIPE COMP., OIL LEVEL	C5	17	12
HOLDER, CABLE	D15	43	9	METER ASSY., HOUR	E3	47	11	PISTON	C9	21	2
	D16	44	13	MOTOR ASSY., STARTER	D14	42	3	PLATE	C14	26	30
	E1	45	28	MUFFLER COMP.	D3	31	3	PLATE, COOLING FAN SETTING	D11	39	2
			33		D5	33	3	PLATE, SOLENOID	E2	46	2
HOLDER, ELEMENT	D2	30	4		D7	35	1	PLATE, STOPPER	C3	15	6
HOLDER, GOVERNOR WEIGHT	C6	18	15	MUFFLER KIT	D3	31	1	PLUG, OUTER CONNECTOR	E7	51	9
HOLDER, OIL FILTER	C5	17	9					PLUG, SPARK	C2	14	18
								PROTECTOR, FAN COVER	C11	23	4
								PROTECTOR, MUFFLER	D3	31	4

PART NAME INDEX

G 3

Part name	Address	Page	Ref.	Part name	Address	Page	Ref.	Part name	Address	Page	Ref.
PROTECTOR, MUFFLER	D5	33	4	SHAFT, FR. P.T.O.	D11	39	4	[W]			
	D7	35	2	SHAFT, GOVERNOR ARM	C3	15	7	WASHER, 10.5X40X4	E7	51	12
			3	SHAFT, ROCKER ARM	C10	22	5	WASHER, 6X16	C6	18	18
PUMP ASSY., FUEL	D9	37	1	SHROUD, L. LOWER	C11	23	7	WASHER, CRANKSHAFT THRUST	C8	20	6
	E7	51	3	SHROUD, R. LOWER	C11	23	6	WASHER, DRAIN PLUG, 20MM	C4	16	20
				SHROUD, UPPER	C11	23	5	WASHER, LOCK, 8MM	E8	52	25
[R]				SLIDER, GOVERNOR	C6	18	17	WASHER, PLAIN	C3	15	11
RECTIFIER ASSY., REGULATOR ...	E7	51	7	SOLENOID ASSY., ROTARY	E2	46	3	WEIGHT, GOVERNOR	C6	18	14
RECTIFIER COMP., REGULATOR ...	D12	40	5	SPANNER, 10X12	E6	50	2	WRENCH, BOX	E6	50	4
	E8	52	19	SPANNER, 14X17	E6	50	3				
RETAINER, IN. VALVE SPRING ...	C10	22	14	SPRING, AIR CLEANER CASE COVER	C16	28	7	[Y]			
RING SET, PISTON	C9	21	1		D2	30	10	YOKE COMP.	D14	42	12
RING, SNAP	D14	42	1	SPRING, BRUSH	D14	42	9				
ROD ASSY., CONNECTING	C9	21	4	SPRING, CABLE RETURN	D16	44	11				
ROD COMP., PUSH	C10	22	3	SPRING, CONTROL ADJUSTING	D15	43	10				
ROD, CHOKE CONTROL	D16	44	12	SPRING, GOVERNOR	D15	43	7				
ROD, GOVERNOR	D15	43	6	SPRING, RELIEF VALVE	C5	17	5				
ROTOR, OIL PUMP OUTER	C5	17	2	SPRING, RETURN	E1	45	27				
RUBBER, FUEL PUMP MOUNTING ...	E7	51	4	SPRING, STARTER	D15	43	3				
RUBBER, RR. FENDER	D9	37	11	SPRING, THROTTLE RETURN	D15	43	8				
				SPRING, VALVE	C10	22	11				
[S]				SPRING, VALVE LIFTER	C10	22	13				
SCREEN, FUEL STRAINER	C13	25	13	SPRING, WEIGHT RETURN	C10	22	6				
SCREW-WASHER, 4X8	C3	15	10	STAY COMP., AIR CLEANER							
	C7	19	34	STAY COMP., AIR CLEANER	ELEMENT	C16	28				
				STAY, FUEL PUMP	D9	37	2				
SCREW-WASHER, 5X10	C14	26	31	STAY, FUEL TUBE GROMMET	C1	13	9				
SCREW-WASHER, 5X8	E4	48	23	STAY, MUFFLER	D7	35	5				
SCREW-WASHER, 6X16	D9	37	12	STAY, SOLENOID	E2	46	1				
SCREW SET	C12	24	5	STRAINER COMP., FUEL	D9	37	8				
SCREW SET, DRAIN	C12	24	6	STRAINER COMP., OIL	C5	17	4				
SCREW, FLOAT	C14	26	29	STRAP, CABLE, 105MM	D12	40	12				
SCREW, PAN, 3X8	C4	16	19	SWITCH ASSY., COMBINATION	E3	47	9				
SCREW, PAN, 4X12	C13	25	24		E8	52	22				
SCREW, PAN, 4X14	C15	27	13	SWITCH ASSY., MAGNET	D14	42	5				
SCREW, PAN, 4X8	D7	35	7	SWITCH ASSY., OIL LEVEL	C3	15	8				
	E7	51	15	SWITCH, OIL PRESSURE	C3	15	9				
					C7	19	33				
SCREW, PAN, 5X10.5	E3	47	21	[T]							
SCREW, PAN, 5X30	D16	44	17	TUBE COMP. A, FUEL	D9	37	3				
SCREW, PAN, 5X40	D16	44	17	TUBE COMP. B, FUEL	D9	37	4				
SCREW, PAN, 5X45	D16	44	18								
SCREW, SPECIAL, 4X10	C11	23	9	TUBE, BREATHER	C12	24	1				
SCREW, SPECIAL, 6X15	C11	23	10		D2	30	1				
SCREW, SPECIAL, 6X8	E3	47	17	TUBE, DIAPHRAGM	D9	37	7				
SCREW, TAPPET ADJUSTING	C10	22	15	TUBE, DRAIN	C13	25	14				
SCREW, TAPPING, 3X8	E3	47	16	TUBE, PURGE	D9	37	6				
SCREW, TAPPING, 4X6	D8	36	16	[V]							
SCREW, TAPPING, 5X14	E4	48	24	VALVE ASSY., SOLENOID	C13	25	15				
SCREW, TAPPING, 5X20	C11	23	11	VALVE COMP., FLOAT	C13	25	11				
	D3	31	6	VALVE, EX.	C10	22	8				
	D5	33	6	VALVE, IN.	C10	22	7				
	E8	52	21	VALVE, OIL OUTLET	C3	15	5				
SCREW, THROTTLE STOP	C12	24	8								
	C15	27	3								
SCREW, TRUSS, 6X16	D11	39	8								
SEAL, AIR CLEANER CASE	C13	25	20								
SEAL, VALVE STEM	C10	22	1								
SHAFT COMP., VALVE LIFTER	C10	22	10								

1

FOREWORD INDEX

2

ENGINE GROUP

3

PART NUMBER INDEX

4

PART NAME INDEX

HONDA
The Power of Dreams

December 17, 2010



PARTS CATALOG NEWS

Honda Motor Co., Ltd.
Customer Service Technology Development Division

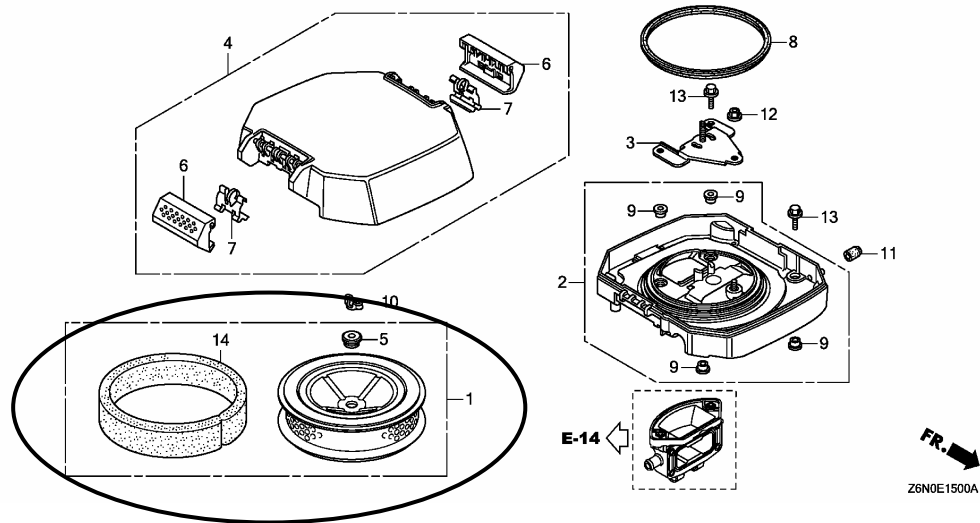
PARTS CATALOG - CORRECTED

Printed in Japan

CODE NO.	14Z6NA01
PARTS CATALOG NEWS	GXV630R GXV660R GXV690R
NEWS NO.	001

Block No.	Ref. No.	Note	Part No.	Description	Reqd. QTY			Serial No.	Parts catalog code
					GX 630	GX 660	GX 690		

E-15 AIR CLEANER(1)



E-15	14	T	17218-Z6L-000	FILTER, OUTER	1	-	-	VAY, VYE3, QAFH, QKF, QKW1, QKW2, QWD, QWF, QZK, SAE1, VEPH, VXAH, VZE1, VZE8
------	----	---	---------------	---------------------	---	---	---	---

NOTE A:PART NO. CHANGE D:NEWLY PROVIDED E:PART NO.DELETION K:REQUIRED NO. CORRECTION L:APPLICATION SERIAL NO. CORRECTION
T:APPLICATION CORRECTION Z:REMARKS CHANGE

PARTS CATALOG NEWS

BOOKNo. : 14Z6NA01

Block No.	Ref. No.	Note	Part No.	Description	Reqd. QTY			Serial No.	Parts catalog code
					GX 630	GX 660	GX 690		
					-	1	-	-----	VAY, VYE3, QAFH, QKF, QKW1, QKW2, QWD, QWF, QZK, SAE1, VEPH VXAH, VZE1, VZE8VAY, BAFH, TAF5, TAFH, TDW1, TKW1, TXF3, VXEH
					-	-	1	-----	VAY, VYE3, QAFH, QKF, QKW1, QKW2, QWD, QWF, QZK, SAE1, VEPH VXAH, VZE1, VZE8VAY, BAFH, TAF5, TAFH, TDW1, TKW1, TXF3 VXEHVAY, VYE3, BAFH, TAF5, TAFH, TDW1, TKW1, TXF3, VXEH
E-28	2	D	87516-ZN1-800	MARK, OPERATOR CAUTION.	1	-	1	-----	VXC, VXC2
E-40-1	5	D	87516-ZN1-810	MARK, OPERATOR CAUTION.	1	-	1	-----	VXC, VXC2

NOTE A:PART NO. CHANGE D:NEWLY PROVIDED E:PART NO.DELETION K:REQUIRED NO. CORRECTION L:APPLICATION SERIAL NO. CORRECTION
T:APPLICATION CORRECTION Z:REMARKS CHANGE

January 23, 2011



PARTS CATALOG NEWS

Honda Motor Co., Ltd.
Customer Service Technology Development Division

PARTS CATALOG - CORRECTED

Printed in Japan

CODE NO.	14Z6NA01
PARTS CATALOG NEWS	GXV630R GXV660R GXV690R
NEWS NO.	002

Block No.	Ref. No.	Note	Part No.	Description	Reqd. QTY			Serial No.	Parts catalog code
					GX 630	GX 660	GX 690		
E-29	4	T	99004-16170	WRENCH, BOX (P16X17).....	1	-	-	-----	SYA1

NOTE A:PART NO. CHANGE D:NEWLY PROVIDED E:PART NO.DELETION K:REQUIRED NO. CORRECTION L:APPLICATION SERIAL NO. CORRECTION
T:APPLICATION CORRECTION Z:REMARKS CHANGE