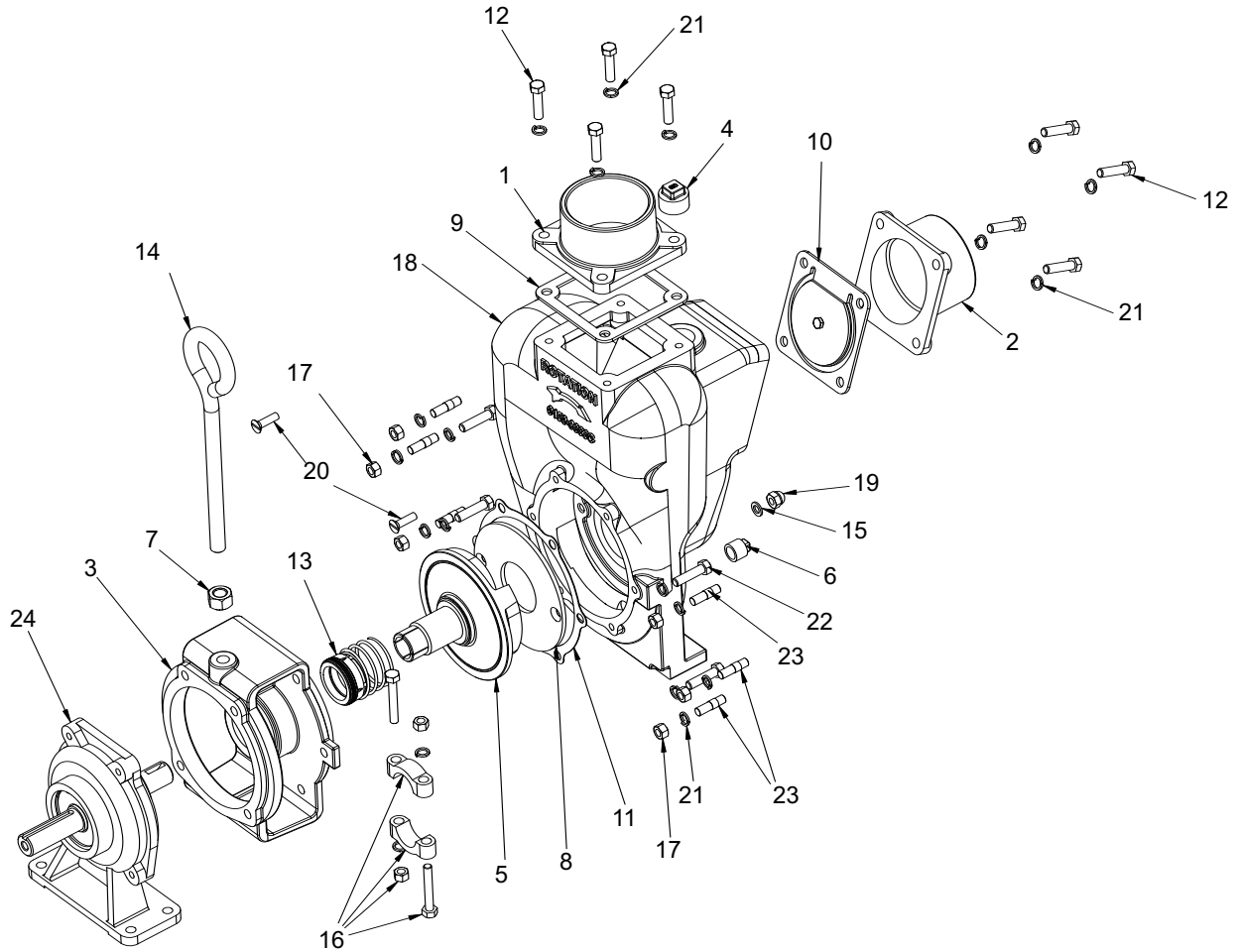




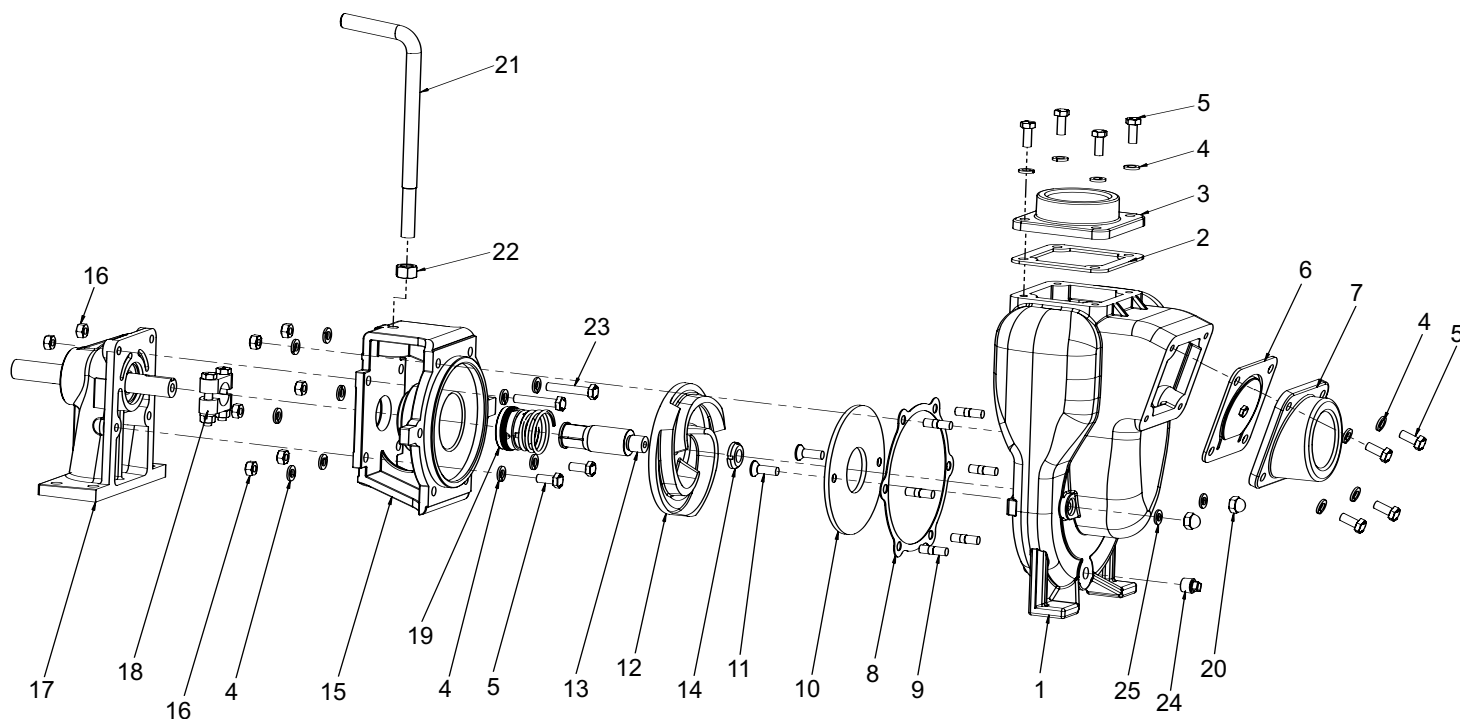
## 9233C-SP and 9733C-SPX Self-Priming Cast Iron Centrifugal Pumps



REF. NO.	QTY.	PART NO.	DESCRIPTION
1	1	2404-0361	Discharge Flange (3" NPT)
2	1	2404-0364	Inlet Flange (3" NPT)
3	1	0750-9033C	Mounting Flange (Gas Engine)
3	1	0750-9733C	Mounting Flange (NEMA C)
4	1	2406-0042	Fill Plug (1" NPT)
5	1	0400-9033C	Impeller w/shaft (1")
5	1	0400-9733C	Impeller w/shaft (1-3/8")
6	1	2406-0043	Drain Plug (1/2" NPT)
7	1	2250-0096	Nut 5/8-11 Zinc
8	1	3210-0095	Wear Plate
9	1	1700-0219	Discharge Flange Gasket (EPDM)
10	1	1700-0220	Flapper Valve Assembly (EPDM)
11	1	1710-0018	Gasket
12	8	2210-0161	Cap Screw Hex Head 3/8-16 x 1-1/8" Zinc
13	1	2120-0047	Mechanical Seal (FKM)

REF. NO.	QTY.	PART NO.	DESCRIPTION
14	1	2801-0008	Handle
15	2	1700-0221	Washer (Plastic)
16	1	1420-0024	Shaft Sleeve Clamp Assy. (1")
16	1	1420-0026	Shaft Sleeve Clamp Assy. (1.375")
17	6	2250-0097	Nut 3/8-24 SS
18	1	0150-9033C	Self Priming Chamber
19	2	2253-0011	Acorn Nut 3/8-16 SS
20	2	2215-0005	Screw Slotted Flat Head 3/8-16 x 1" SS
21	18	2260-0052	Lockwasher 3/8 Zinc
22	4	2210-0163	Cap Screw Hex Head 3/8-16 x 2-1/2" Zinc Gr 5
23	6	2205-0022	Stud 3/8-24
24	1	0550-9233	Pedestal Assembly (1")
N/S	1 pr.	1520-0099	Mounting Rails-zinc plated (std. on gas engine models; optional on other models)

## 9232C-SP and 9732C-SPX Self-Priming Cast Iron Centrifugal Pumps



REF. NO.	QTY.	PART NO.	DESCRIPTION
1	1	0150-9032C	Self-Priming Chamber
2	1	1700-0217	Discharge Flange Gasket (EPDM)
3	1	2404-0362	Discharge Flange (2" NPT)
4	18	2260-0051	Lockwasher
5	10	2210-0160	Cap Screw
6	1	1700-0218	Flapper Valve Assembly (EPDM)
7	1	2404-0363	Inlet Flange (2" NPT)
8	1	1710-0017	Gasket
9	6	2205-0021	Stud
10	1	3210-0094	Wear Plate
11	2	2215-0004	Screw
12	1	0400-9032C	Impeller
13	1	0501-9032	Shaft Sleeve (3/4")

REF. NO.	QTY.	PART NO.	DESCRIPTION
14	1	2250-0095	Impeller Nut
15	1	0750-9032C	Mounting Flange (Gas Engine)
16	8	2250-0094	Hex Nut
17	1	0550-9232	Pedestal Assembly (3/4")
18	1	1420-0023	Shaft Sleeve Clamp
19	1	2120-0046	Mechanical Seal (FKM)
20	2	2253-0012	Acom Nut 5/16-18 SS
21	1	2801-0007	Handle
22	1	2250-0093	Hex Nut
23	2	2210-0159	Cap Screw
24	1	2406-0041	External Square Drain Plug (1/4" NPT)
25	2	1700-0021	Gasket