

**Plunger Parts Kits**

**Plunger Stack Parts Kit No. 3430-0144 (Model 5321)**

Consists of two each of the following parts: No. 1440-0010 Seal Rings, No. 1440-0037 Guides, No. 1720-0064 O-rings, No. 1720-0079 O-rings, No. 2150-0027 Seal Assemblies, No. 2220-0039 Socket Head Cap Screws, and No. 2270-0042 Washers.

**Plunger Parts Kit No. 3430-0145 (Model 5321)**

Consists of one No. 3430-0144 Plunger Stack Parts Kit and two No. 3500-0021 Plungers.

**Plunger Stack Parts Kit No. 3430-0291 (Model 5322)**

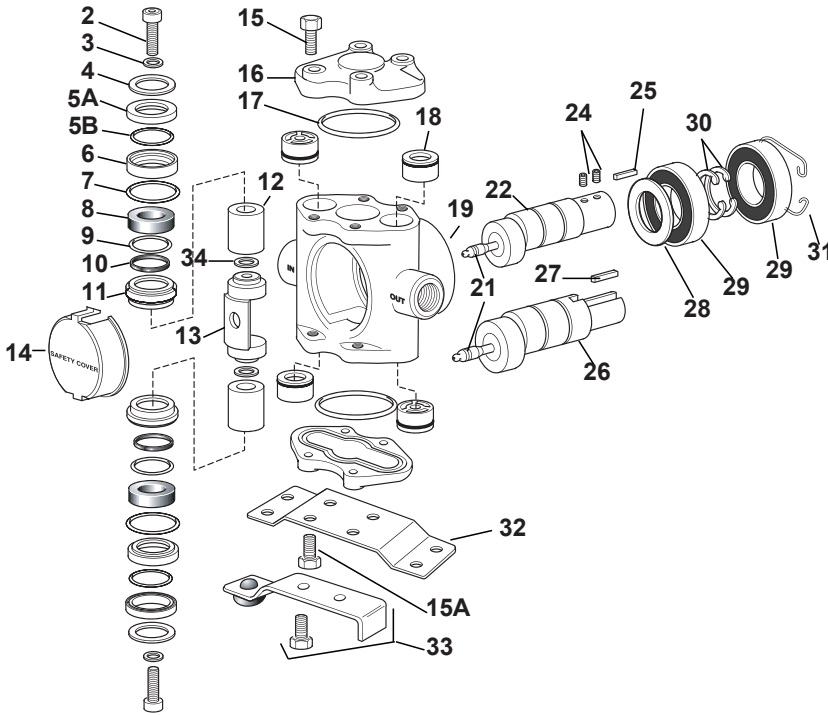
Consists of two each of the following parts: No. 1440-0010 Seal Rings, No. 1440-0037 Guides, No. 1720-0064 O-rings, No. 1720-0079 O-rings, No. 2150-0027 Seal Assemblies, No. 2220-0039 Socket Head Cap Screws, and No. 2270-0042 Washers.

**Plunger Parts Kit No. 3430-0292 (Model 5322)**

Consists of one No. 3430-0291 Plunger Stack Parts Kit and two No. 3500-0036 Plungers.

**Torque Arm Kit No. 3420-0030**

Consists (1) No. 2820-0035 Torque Arm, (1) No. 1450-0003 Bumper and (2) No. 2210-0064 Bolts.



Ref. No.	Qty. Req'd.	Part No.	Description
2	2	2220-0039	Socket Head Cap Screw
3	2	2270-0042	Washer
4	2	1830-0056	Retainer
5	2	2150-0027	Seal Assembly
5A	1	2150-0049	Seal
5B	1	1440-0061	Support Ring
6	2	1830-0054	Seal Retainer
7	2	1720-0079	O-ring for Seal Retainer
8	2	1440-0037	Guide
9	2	1720-0064	O-ring for Seal Ring
10	2	1440-0010	Seal Ring
11	2	1830-0053	Guide Retainer
12	2	3500-0021	Plunger (steel, Model 5321)
12	2	3500-0036	Plunger (ceramic, Model 5322)
13	1	0502-5300	Connecting Rod (Model 5321)
13	1	0504-5300	Connecting Rod (Model 5322)
14	1	0608-5300	Safety Cover
15	4	2210-0063	Cylinder Head Bolt
15A	4	2210-0064	Head Bolt
16	2	0201-5300CK	Cylinder Head (Cast Iron)

Ref. No.	Qty. Req'd.	Part No.	Description
17	2	1720-0038	O-ring for Cylinder Head
18	1 set	3430-0197	Valve Assemblies
19	1	0108-5300C	Body (Cast Iron)
21	1	2405-0006A	Grease Fitting
22	1	5500-5321	Hollow Shaft
24	2	2230-0017	Set Screws for Hollow Shaft
25	1	1610-0011	Spline Key for Hollow Shaft
26	1	5001-5321	Solid Shaft
27	1	1610-0007	Spline Key for Solid Shaft
28	1	2130-0007	Shield
29	2	2008-0001	Main Bearing
30	2	1810-0013	Retaining Ring (shaft)
31	1	1820-0025	Retaining Ring (housing)
32	1	1510-0041	Mounting Base for Solid Shaft Models
33	1	3420-0030	Torque Arm Kit for Hollow Shaft Models
34	2	2270-0097	Washer (Model 5322 only)