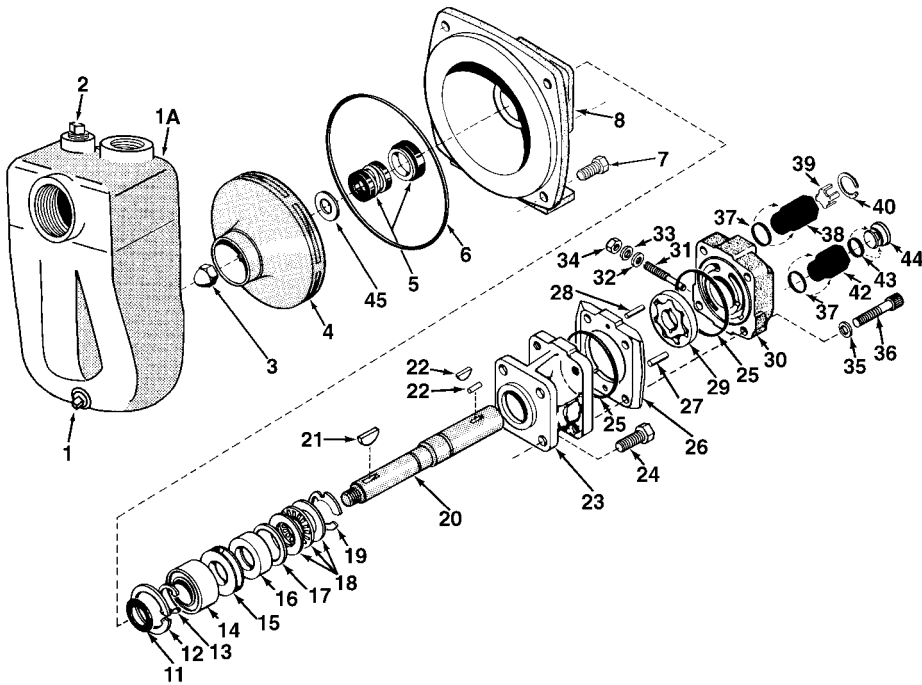


Self-Priming, Hydraulically-Driven Centrifugals



**NOTE:** When ordering parts, give QUANTITY, PART NUMBER, DESCRIPTION, and COMPLETE MODEL NUMBER. Reference numbers are used ONLY to identify parts in the drawing and are NOT to be used as order numbers.

**SP Chamber Kit No. 3430-0480SP**

Contains: One chamber with wear ring, (Ref. 1A), one o-ring (Ref. 6), one drain/vent plug (Ref. 1) and one vent plug (Ref. 2).

**Repair Parts Kit No. 3430-0332**

Contains: One mechanical seal (Ref. 5), one o-ring (Ref. 6) and one rubber gasket (Ref. 45).

**Parts Kit No. 3430-0178**

Contains: One each ball bearing (Ref. 14), motor shaft seal (Ref. 16), thread seal gasket (Ref. 32), and washer (Ref. 33), two each motor housing o-rings (Ref. 25), and port adapter o-rings (Ref. 37).

**Adapter Kit No. 3430-0187 (HM4 Models Only):**

Includes one each Ref. 37, Ref. 42, and Ref. 44, three Ref. 43, three metering orifices one No. 3373-0020 (Size #1), one No. 3373-0021 (Size #2) and one No. 3373-0022 (Size #3).

**Hydraulic Motor Part #s**

- 2500-0009C (HM1C Models)
- 2500-0010C (HM2C Models)
- 2500-0011C (HM3C Models)
- 2500-0012C (HM4C Models)
- 2500-0018C (HM5C Models)

Ref. No.	Qty. Req'd.	Part No.	Description
1A	1	0150-9070C	Pump Casing (Self Priming) (Includes a stainless steel wear ring)
1	1	2406-0007	Drain/Vent Plug
2	1	2406-0001	Vent Plug
3	1	2253-0002	Impeller Nut
4	1	0401-9100P	Impeller (Nyglass, std.)
4	1	0402-9100P	Impeller (Optional Polypropylene)
5	1	2120-0008	Mechanical Seal (Buna-N) 9301 Models
5	1	2120-0009	Mechanical Seal (Viton) 9303 Models
6	1	1720-0083	O-ring
7	4	2210-0020	Hex Head Cap Screw
8	1	0750-9300C	Mounting Flange
11	1	1410-0056	Slinger Ring
12	1	1820-0013	Retaining Ring
13	1	1810-0014	Snap Ring
14	1	2000-0010	Ball Bearing
15	1	1410-0073	Spacer
16	1	2104-0005	Shaft Seal
17	1	1410-0074	Seal Spacer
18	1	2029-0014	Thrust Bearing Assembly—Consists of: (1) Thrust Bearing & (2) Thrust Brg. Races
19	1	1810-0026	Snap Ring
20	1	0509-2500	Shaft (HM2C & HM4C Models) 6 3/4" Long
20	1	0511-2501	Shaft (HM1C & HM5C Models) 7" Long
20	1	0510-2500	Shaft (HM3C Models) 7 1/2" Long
21	1	1610-0012	Woodruff Key
22	1	1610-0032	Roll Pin (HM2C & HM4C Models)
22	1	1610-0031	Roll Pin (HM1C & HM5C Models)
22	1	1610-0030	Woodruff Key (HM3C Models)
23	1	0151-2500C	Motor Body (Includes Main Bearing)
24	4	2210-0005	Hex Head Cap Screw
25	2	1720-0110	O-ring
26	1	0701-2500C	Gerotor Housing (HM2C Models) 1/4" Wide
26	1	0700-2500C	Gerotor Housing (HM1C Models) 1/2" Wide
26	1	0703-2500C	Gerotor Housing (HM4C Models) 5/16" Wide
26	1	0702-2500C	Gerotor Housing (HM3C Models) 1" Wide
26	1	0704-2500C	Gerotor Housing (HM5C Models) 5/8" Wide

Ref. No.	Qty. Req'd.	Part No.	Description
27	1	1600-0045	Dowel Pin (HM2C & HM4C Models)
27	1	1600-0044	Dowel Pin (HM1C & HM5C Models)
27	1	1600-0052	Dowel Pin (HM3C Models)
28	1	1600-0042	Dowel Pin (HM2C & HM4C Models)
28	1	1600-0037	Dowel Pin (HM1C & HM5C Models)
28	1	1600-0068	Dowel Pin (HM3C Models)
29	1	3900-0023	Gerotor (HM2C Models)
29	1	3900-0022	Gerotor (HM1C Models)
29	1	3900-0024	Gerotor (HM3C Models)
29	1	3900-0025	Gerotor (HM4C Models)
29	1	3900-0048	Gerotor (HM5C Models)
30	1	0251-2500C	Motor End Plate (Includes Main Bearing)
31	1	3220-0029	Bypass Adjusting Screw
32	1	1700-0047	Gasket
33	1	2270-0027	Washer
34	1	2250-0038	Lock Nut
35	4	2270-0039	Washer
36	4	2220-0045	Cap Screw (HM2C & HM4C Models)
36	4	2220-0021	Cap Screw (HM1C & HM5C Models)
36	4	2220-0044	Cap Screw (HM3C Models)
37	2	1720-0108	O-ring
38	1	3320-0016	Tank Port Adapter
39	1	3260-0039	Poppet
40	1	1820-0023	Retaining Ring
42	1	3360-0021	Pressure Port Adapter
43	1	1720-0105	Orifice O-ring (HM2C & HM4C Models Only)
44	1	3373-0020	Metering Orifice (HM2C & HM4C Models Only)
	or	3373-0021	
	or	3373-0022	
45	1	1700-0100	Rubber Gasket