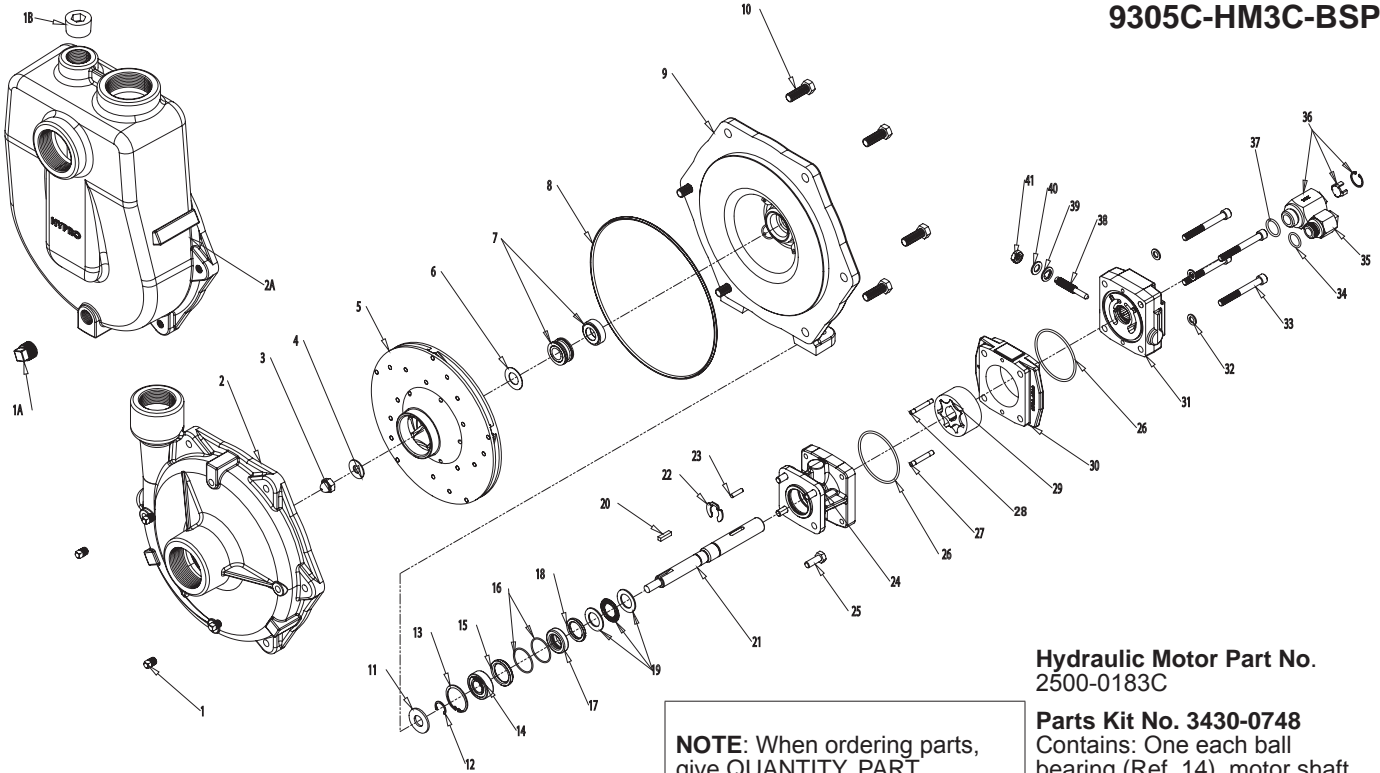


# Replacement Parts

The following drawings show the pumps and their replacement parts. **Only genuine replacement parts should be used. Failure to follow this warning can result in damage to property, serious injury or death.** If the pump malfunctions or is defective, it should be sent back to Hypro for service.

## 9305C-HM3C, 9305C-HM3C-SP, 9305C-HM3C-BSP



### Silicon Carbide Seal Kit No. 3430-0601

Contains one each:  
Mechanical seal (Ref. 7) and  
o-ring (Ref. 8).

### Repair Parts Kit No. 3430-0500

Contains one each:  
One o-ring (Ref. 8), one rubber  
gasket (Ref. 6), one mechanical  
seal (Ref. 7).

### Hydraulic Motor Part No. 2500-0183C

### Parts Kit No. 3430-0748

Contains: One each ball bearing (Ref. 14), motor shaft seal (Ref. 17), thread seal gasket (Ref. 39), two cartridge o-rings (Ref. 16), and washer (Ref. 40); two each motor housing o-rings (Ref. 26), and port adapter o-rings (Ref. 34 & 37).

**NOTE:** When ordering parts, give QUANTITY, PART NUMBER, DESCRIPTION, and COMPLETE MODEL NUMBER. Reference number are used ONLY to identify part in the drawing and are NOT to be used as order numbers.

Ref. No.	Qty. Req'd.	Part No.	Description
1	4	2406-0007	Drain/Vent Plug
1A	1	2406-0002	1/2" NPT Drain Plug (SP Model Only)
1B	1	2406-0034	1" NPT Prime Port Plug (SP Model Only)
1B	1	2406-0036	1" BSP Prime Port Plug (SP Model Only)
2	1	0152-9200C	Pump Casing
2A	1	3430-0481SP	Self-Priming Chamber (SP Model Only) Includes Stainless Wear Ring, Plugs & O-Ring
2A	1	3430-0481BSP	Self-Priming Chamber (BSP Model Only) Includes Stainless Wear Ring, Plugs & O-Ring
3	1	2253-0002	Impeller Nut
4	1	2270-0071	Washer
5	1	0403-9200P1	Impeller
6	1	1700-0100	Rubber Gasket
7	1	2120-0009	Mechanical Seal (Viton/Ceramic) (Std. 9305C)
7	1	3430-0601	Mechanical Seal (Silicon Carbide) (Optional)
8	1	1720-0180	O-Ring
9	1	0752-9200C	Mounting Flange
10	6	2210-0086	Hex Head Cap Screw
11	1	1410-0056	Slinger Ring
12	1	1810-0014	Snap Ring
13	1	1820-0013	Retaining Ring
14	1	2000-0010	Ball Bearing
15	1	1410-0131	Cartridge, Front
16	2	1720-0268	O-Ring
17	1	3430-0748	Lip Seal
18	1	1410-0130	Seal Spacer

Ref. No.	Qty. Req'd.	Part No.	Description
19	1	2029-0014	Thrust Bearing Assembly
20	1	1610-0053	Square Key
21	1	3430-0856	Shaft
22	1	1810-0026	Snap Ring
23	1	1610-0055	Roll Pin
24	1	0150-2500C	Motor Body (includes needle bearing)
25	4	2210-0005	Hex Head Cap Screw
26	2	1720-0110	O-Ring
27	1	1600-0052	Dowel Pin
28	1	1600-0068	Dowel Pin
29	1	3900-0024	Gerotor
30	1	0702-2500C1	Gerotor Housing 1" wide
31	1	0254-2500C2	Motor End Plate (includes needle bearing)
32	4	2270-0039	Washer
33	4	2220-0044	Cap Screw
34	1	1720-0108	O-Ring
35	1	3360-0021A	Pressure Port Adapter (includes o-ring)
36	1	3320-0051A	Tank Port Adapter (includes o-ring)
37	1	1720-0262	O-ring
38	1	3220-0029	Bypass adjusting Screw
39	1	1700-0047	Gasket
40	1	2270-0027	Washer
41	1	2250-0038	Lock Nut