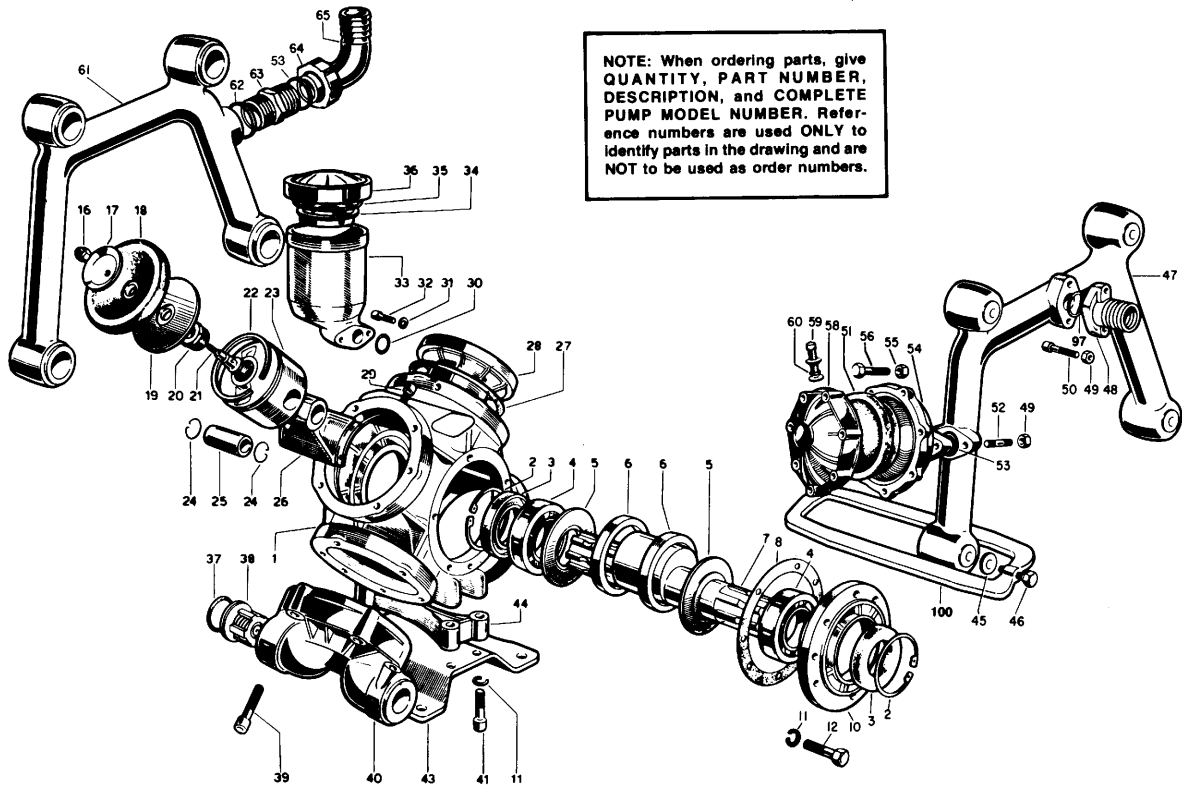


Hypro® Models 9910-D110



NOTE: When ordering parts, give QUANTITY, PART NUMBER, DESCRIPTION, and COMPLETE PUMP MODEL NUMBER. Reference numbers are used ONLY to identify parts in the drawing and are NOT to be used as order numbers.

REF. NO.	PART NUMBER	DESCRIPTION	QTY. REQ'D
1	9910-700010	Pump Body	1
2	9910-200390	Retainer Ring	2
3	9910-230380	Seal	2
4	9910-230350	Ball Bearing	2
5	9910-680160	Spacer	2
6	9910-680130	Retainer Ring	2
7	9910-680780	Crankshaft — Splined both ends	1
▲8	9910-680250	Gasket	1
10	9910-680020	Bearing Support Housing (Right Hand)	1
11	9910-200231	Lock Washer	10
12	9910-650700	Bolt (10MAx30)	6
16	9910-160311	Lock Nut	4
17	9910-650390	Retaining Washer	4
■18	9910-680085	Diaphragm	4
19	9910-650090	Diaphragm Support Washer	4
20	9910-650061	Lock Nut	4
21	9910-650320	Retaining Bolt	4
22	9910-650190	Piston Ring	4
23	9910-650121	Piston	4
24	9910-160691	Retainer Ring	8
25	9910-650071	Connecting Rod Pin	4
26	9910-680140	Connecting Rod	4
▲27	9910-320280	Gasket	4
28	9910-680110	Sleeve w/Bleed Hole	2
28A	9910-680111	Sleeve	2
29	9910-480870	Bleeder Bolt	2
▲30	9910-390180	O-Ring	1
31	9910-380241	Lock Washer	2
32	9910-680350	Bolt	2
33	9910-680030	Oil Reservoir	1
34	9910-680040	Sealing Cap	1
▲35	9910-580230	O-Ring	1
36	9910-680050	Oil Cap	1
■37	9910-680070	O-Ring	8
□38	9910-659050	Check Valve Assembly	8
39	9910-680210	Bolt (10MAx50)	24
40	9910-680101	Head Assembly (Right Hand)	2
40	9910-680102	Head Assembly (Left Hand)	2
41	9910-700020	Bolt	4
43	9910-680200	Pump Base	1

REF. NO.	PART NUMBER	DESCRIPTION	QTY. REQ'D
44	9910-700200	Pump Base Spacer	1
45	9910-680260	Washer	4
46	9910-250140	Bolt (12MAx35)	4
47	9910-700280	Discharge Manifold	1
48	9910-550391	NPT Fitting	1
49	9910-380240	Nut	6
50	9910-380410	Bolt (8MAx40)	2
■51	9910-550190	Accumulator Diaphragm	1
52	9910-390670	Accumulator Stud	2
▲53	9910-390290	O-Ring	2
54	9910-680180	Accumulator Body	1
55	9910-390270	Nut	8
56	9910-380250	Bolt (8MAx45)	8
58	9910-620230	Accumulator Head	1
59	9910-180020	Air Valve	1
▲60	9910-650542	O-Ring	1
61	9910-700220	Suction Manifold	1
▲62	9910-390290	O-Ring	1
63	9910-580300	Threaded Adapter	1
64	9910-580600	Barb Nut	1
65	9910-580040	Suction Hose Barb	1
100	9910-680271	Retainer	4

KEY TO SYMBOLS
REPAIR & MAINTENANCE KITS AVAILABLE

- ▲ O-Ring/Gasket Parts Kit No. 9910 — KIT1738 consists of: Ref. 9 (1) Gasket, Ref. 27 (4 ea.) Gaskets, Ref. 30 (1) O-Ring, Ref. 35 (1) O-Ring, Ref. 37 (8 ea.) O-Rings, Ref. 53 (2) O-Rings, Ref. 60 (1) O-Ring, Ref. 62 (1) O-Ring, Ref. 97 (1) O-Ring.
- Diaphragm Parts Kit No. 9910 — KIT1727 consists of: Ref. 18 (4 ea.) Diaphragm, Ref. 37 (8 ea.) O-Rings, Ref. 51 (1) Accumulator Diaphragm.
- Valve Parts Kit No. 9910 — KIT1935 consists of: Ref. 37 (8 ea.) O-Rings, Ref. 38 (8 ea.) Valves.