

Parts Illustrations for Model 9910-D250

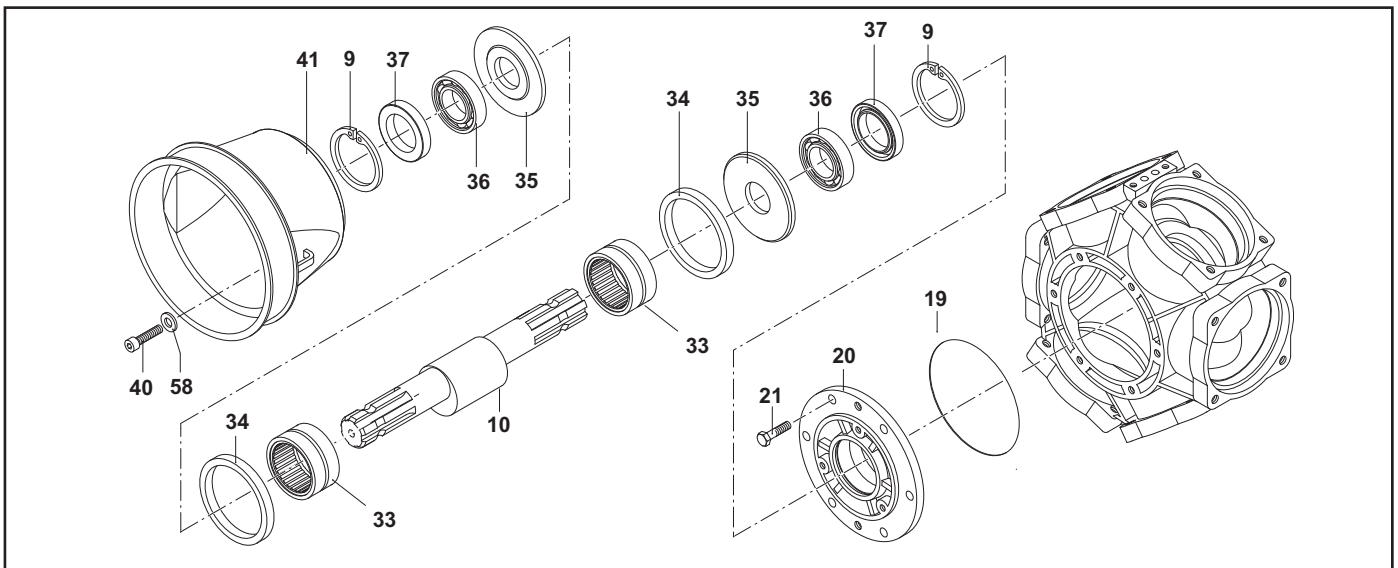
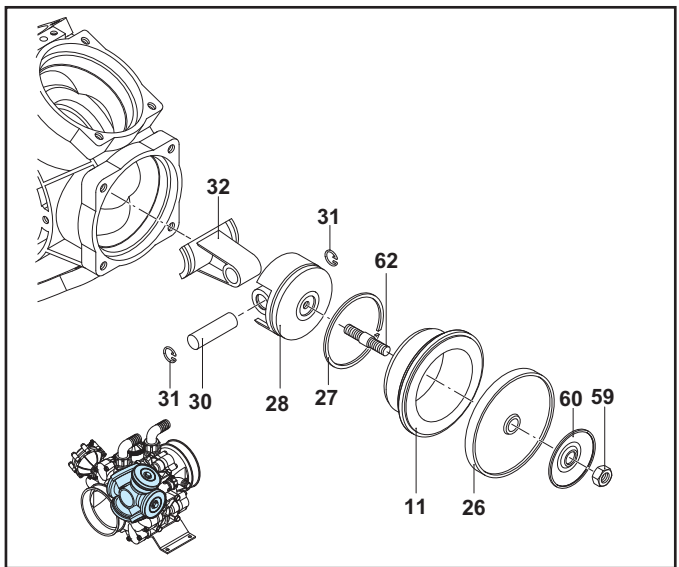
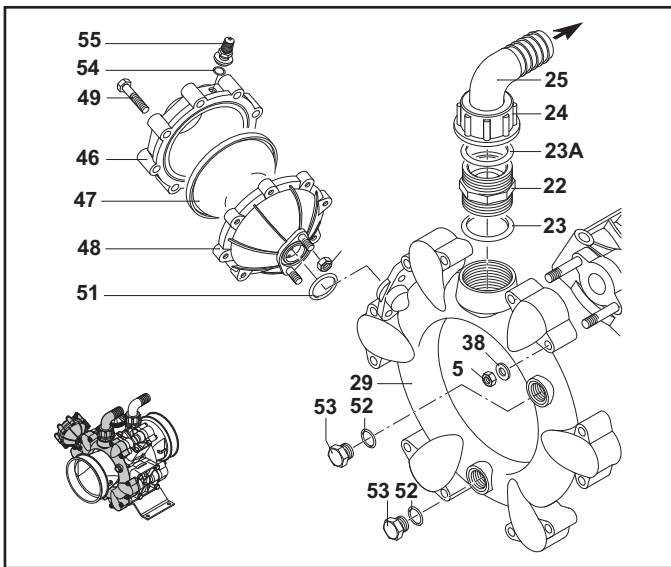
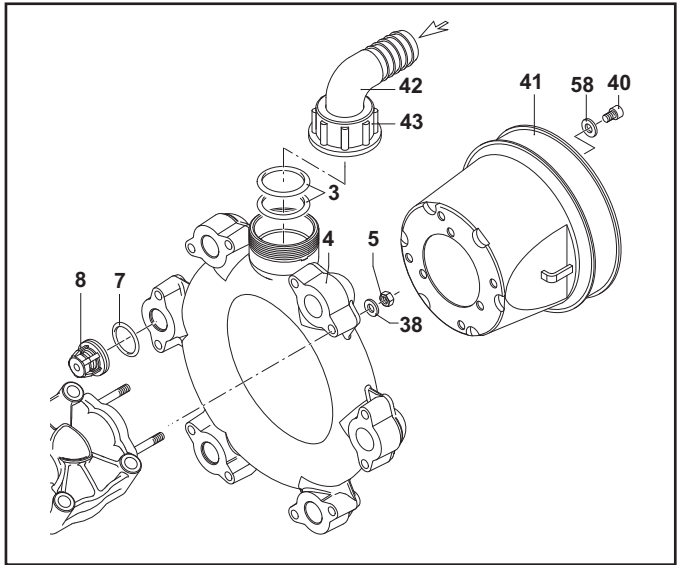
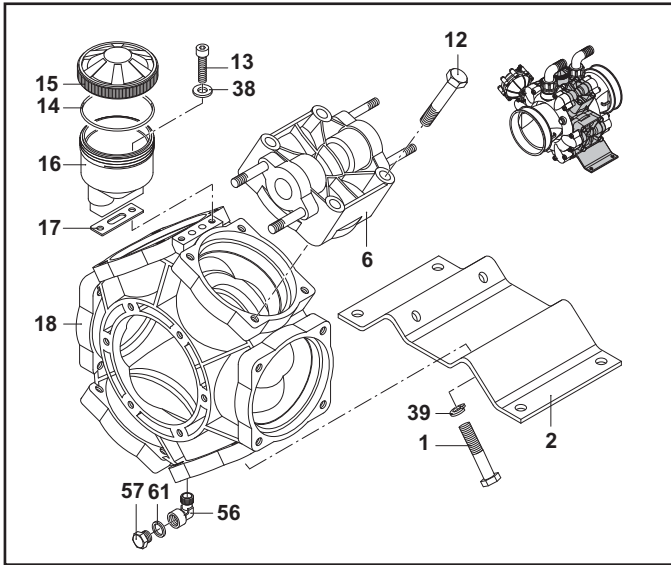


Figure 11. Parts Illustration for Model 9910-D250

Parts List for Model 9910-D250

REF. NO.	PART NUMBER	DESCRIPTION	QTY. REQ'D
1	9910-750071	Bolt	4
2	9910-750200	Base	1
3	9910-750740	O-ring	2
4	9910-751070	Suction Manifold	1
5	9910-380242	Nut	26
6	9910-751350	Head	6
7	9910-680070	O-ring	12
8	9910-759051	Complete valve	12
9	9910-200390	Retainer ring	2
10	9910-750170	Crankshaft	1
11	9910-750110	Sleeve	6
12	9910-750061	M12 x 65 Bolt	20
13	9910-680350	M8 x 35 Bolt	2
14	9910-1040060	O-ring	1
15	9910-750057	Black oil tank cap	1
16	9910-750030	Oil sight glass	1
17	9910-750040	Gasket	1
18	9910-751300	Pump body	1
19	9910-851360	O-ring	1
20	9910-680020	Shaft support	1
21	9910-160672	M10 x 25 Bolt	6
22	9910-751130	Threaded adapter	1
23	9910-751140	O-ring	1
23A	9910-390290	O-ring	1
24	9910-750670	Ring nut	1
25	9910-750660	Elbow 1 1/2" HB	1
26	9910-550085	Diaphragm (Desmopan) Standard	6
26A	9910-550080	Diaphragm (Buna) Optional	6
27	9910-500260	Piston ring	6
28	9910-750122	Piston	6
29	9910-751080	Manifold	1
30	9910-160700	Pin	6
31	9910-160691	Pin ring	2
32	9910-750140	Connecting rod	6
33	9910-750090	Roller bearing	2
34	9910-750130	Connecting rod ring	2
35	9910-540040	Spacer washer	2
36	9910-230350	Bearing	2
37	9910-160740	Seal ring	2
38	9910-380243	Washer	26
39	9910-250143	Washer	4
40	9910-850251	M8 x 12 Bolt	6
41	9910-1500350	Shield	2
42	9910-750850	Elbow 2" HB	1
43	9910-750710	Ring nut	1
46	9910-620232	Accumulator head	1
47	9910-550190	Accumulator diaphragm	1
48	9910-680180	Accumulator body	
49	9910-621781	M8 x 40 Bolt	8
51	9910-390290	O-ring	1
52	9910-180101	O-ring	2
53	9910-330173	Plug	2
54	9910-650542	Gasket	1
55	9910-180020	Air valve	1
56	9910-750370	Elbow	1
57	9910-880581	Oil drain plug	1
58	9910-390314	Washer	6
59	9910-2240110	Diaphragm nut	6
60	9910-751250	Retainer washer	6
61	9910-880820	Washer	1
62	9910-2240100	Diaphragm stud	6

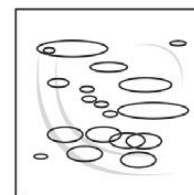
Ref. No.	Description	Tightening Torque	
		In. Lbs.	Nm
1	Bolt	440	49.7
5	Nut	175	19.8
12	Bolt	440	49.7
13	Bolt	90	10.2
21	Bolt	310	35.0
40	Bolt	90	10.2
49	Bolt	175	19.8
53	Plug	350	39.2
57	Plug	175	19.8
59	Diaphragm Nut	265	29.9



9910-KIT1722 Diaphragm Kit Desmopan	
REF. NO.	QTY.
7	12
26	6
47	1



9910-KIT2114 Valve Kit	
REF. NO.	QTY.
7	12
8	12



9910-KIT1904 O-Ring Kit	
REF. NO.	QTY.
3	1
7	12
14	1
23	2
51	1
52	1
54	1

NOTE: When ordering parts, give QUANTITY, PART NUMBER, DESCRIPTION, and COMPLETE PUMP MODEL NUMBER. Reference numbers are used ONLY to identify parts in the drawing and are NOT to be used as order numbers.