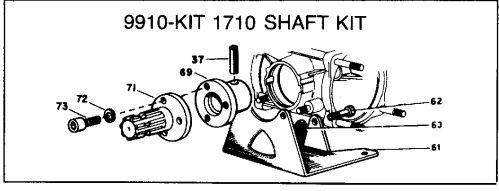
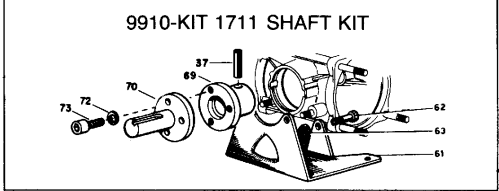
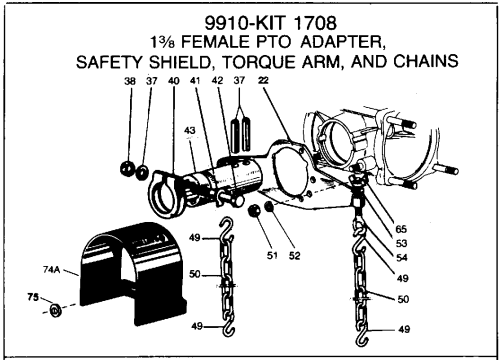
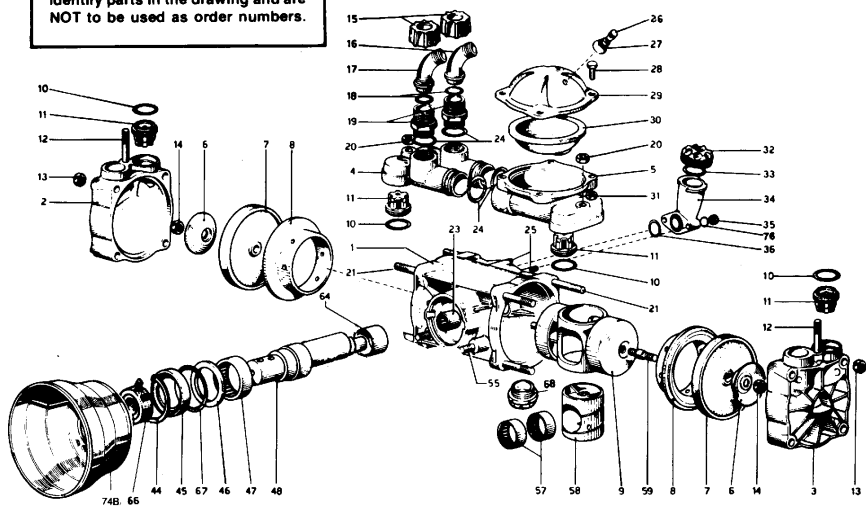


# Hypro® Model 9910-D60

**NOTE:** When ordering parts, give QUANTITY, PART NUMBER, DESCRIPTION, and COMPLETE PUMP MODEL NUMBER. Reference numbers are used ONLY to identify parts in the drawing and are NOT to be used as order numbers.



REF. NO.	PART NUMBER	DESCRIPTION	QTY. REQ'D
1	9910-550010	Pump Body	1
2	9910-550101	Head Assembly (Right Hand)	1
3	9910-550102	Head Assembly (Left Hand)	1
4	9910-550150	Manifold	1
5	9910-550180	Accumulator Pressure Assembly	1
6	9910-580090	Retaining Washer	2
■ 7	9910-550085	Diaphragm	2
8	9910-550110	Piston Sleeve	2
9	9910-550120	Piston	2
□ ■ ▲ 10	9910-320030	O-Ring	4
11	9910-759050	Check Valve Assembly (Stainless Steel)	4
□ 11	9910-559050	Check Valve Assembly (Nylon)	4
12	9910-580060	Stud	2
13	9910-180150	Nut	8
14	9910-550131	Lock Nut	2
15	9910-550242	Barb Nut	2
16	9910-550370	1" Hose Barb Inlet	1
17	9910-550380	3/4" Hose Barb Outlet	1
▲ 18	9910-550350	O-Ring	2
19	9910-550340	Threaded Adapter	2
21	9910-550200	Stud	8
22	9910-380271	Torque Arm	1
23	9910-550310	Roller Bearing	1
▲ 24	9910-390290	O-Ring	6
25	9910-550330	Stud	2
26	9910-550300	Air Valve	1
▲ 27	9910-650542	O-Ring	1
28	9910-550680	Bolt (8MAx20)	4
29	9910-550230	Accumulator Head	1
▲ 30	9910-550190	Accumulator Diaphragm	1
32	9910-550055	Cap	1
▲ 33	9910-550040	O-Ring	1
34	9910-550030	Oil Sight Glass	1
35	9910-390440	Nut	2
▲ 36	9910-180101	O-Ring	1
37	9910-550290	Roll Pin	2
38	9910-320130	Nut	1

REF. NO.	PART NUMBER	DESCRIPTION	QTY. REQ'D
39	9910-320131	Washer	1
40	9910-500160	Collar	1
41	9910-500171	Lock Retainer Washer	1
42	9910-320170	Bolt (12MAx75)	1
43	9910-550250	Female Splined Shaft	1
44	9910-200391	Retainer Ring	1
45	9910-550470	Seal Ring	1
46	9910-550070	Spacer	1
47	9910-550060	Roller Bearing	1
48	9910-550170	Crankshaft	1
49	9910-320650	Chain "S" Hook	1
50	9910-320640	Chain	2
51	9910-180150	Nut	2
52	9910-200231	Washer	5
53	9910-320620	Washer	1
54	9910-320630	Bolt	1
55	9910-580020	Stud	2
57	9910-550280	Roller Bearings	2
58	9910-550140	Piston Back-Up	1
59	9910-550270	Retaining Bolt	2
61	9910-580080	Base	1
62	9910-180160	Bolt (10MAx30)	1
63	9910-580190	Nut	2
64	9910-550160	Spacer Sleeve	1
65	9910-320610	Wing Nut	1
66	9910-550491	Oil Seal	1
67	9910-650920	Oil Seal Spacer Ring	1
68	9910-30171	Oil Drain Plug	1
69	9910-550510	Adapter	1
70	9910-621600	1" Solid Shaft	1
71	9910-620240	1 3/8" 6 Spline Male Shaft	1
73	9910-620470	Bolt	3
74A	2840-0028	Safety Shield (Std. Steel)	1
74B	9910-540660	Safety Shield (Plastic)	1
75	2270-0004	Washer	4
76	9910-550331	Washer	2

**REPAIR & MAINTENANCE KITS AVAILABLE**

- ▲ O-Ring Parts Kit No. 9910 — KIT1902 consists of: Ref. 18 (2 ea.) O-Rings, Ref. 10 (4 ea.) O-Rings, Ref. 24 (6 ea.) O-Rings, Ref. 27 (1 ea.) O-Ring, Ref. 33 (1 ea.) O-Ring, Ref. 36 (1 ea.) O-Ring.
- Diaphragm Parts Kit No. 9910 — KIT1720 consists of: Ref. 7 (2 ea.) Diaphragm, Ref. 10 (4 ea.) O-Rings, Ref. 30 (1 ea.) Damper Diaphragm.
- Valve Parts Kit No. 9910 — KIT1789 consists of: Ref. 10 (4 ea.) O-Rings, Ref. 11 (4 ea.) Valves.