



HHLF "HIGH OUTPUT"

2"x2" Self-Priming Centrifugal Pump

MP Pumps has extended the performance range of the current HHLF series by designing a larger (7.5" diameter) impeller and matching volute. The new impeller and volute will fit into the existing HHLF "HR" housing. An o-ring has also been added to the discharge port for increased sealing at the higher pressures. Total dynamic head (TDH) has increased from 190' to 250'.

The HHLF series is available close coupled to NEMA "C" Face electric motors or as PumPAKs®. The engine drive models are capable of coupling to both gasoline and diesel engines with 1" keyed drive shafts. Pedestal mounted pumps are also available.

The volute and impeller are removable and easily replaced.

The HHLF "HO" pumps are ABS type approved and meet USCG specifications for auxiliary fire control (46 CFR compliant).

ABS Type Approval for the HHLF, HHLF 1.5 & HHLF HO - [Download PDF](#)



Application

- Agricultural
- Industrial
- Marine

Drive Sleeve

- 304 Stainless Steel

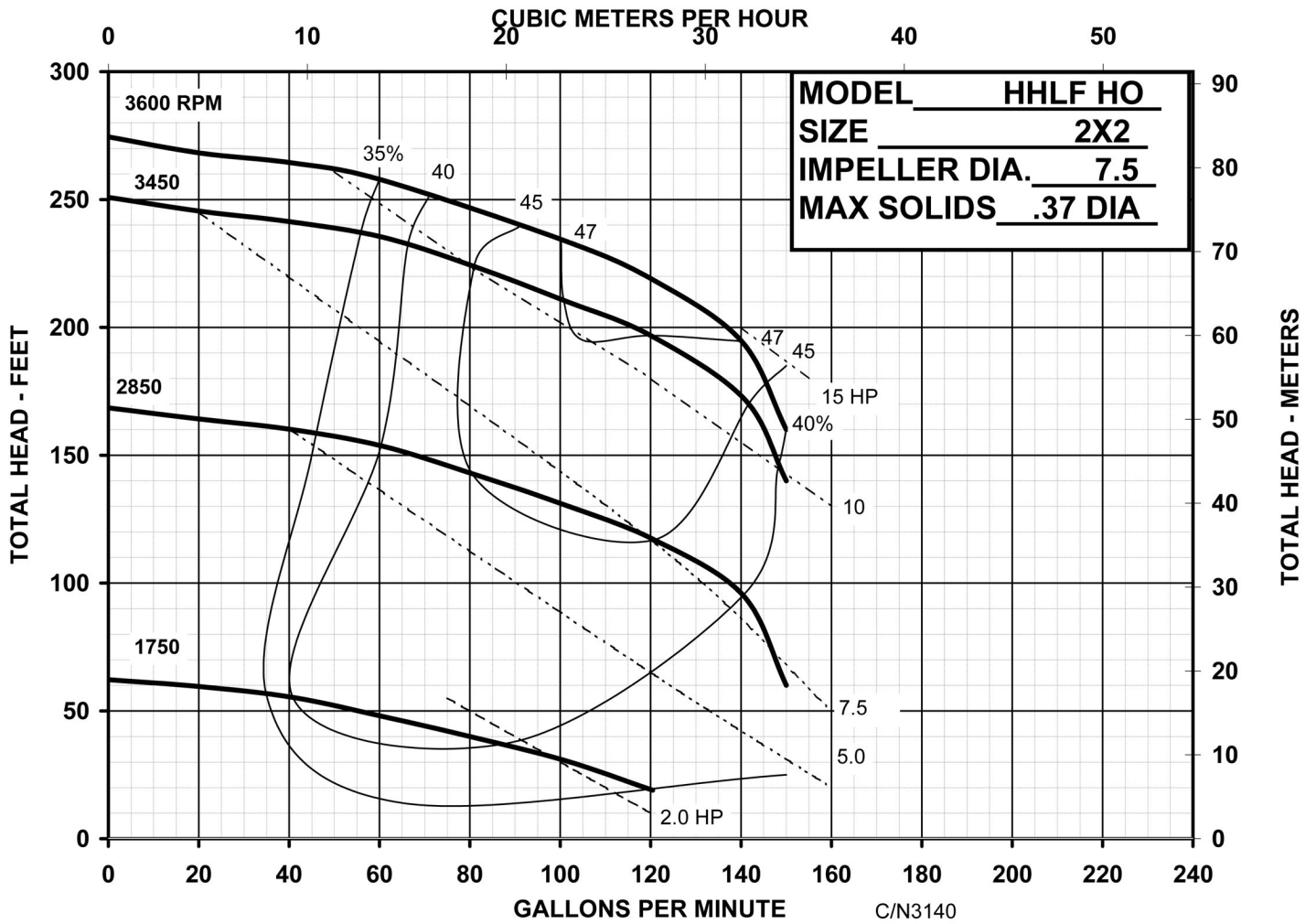
Features

- 46 CFR Compliant
- ABS Type Approved

SPECIFICATIONS:

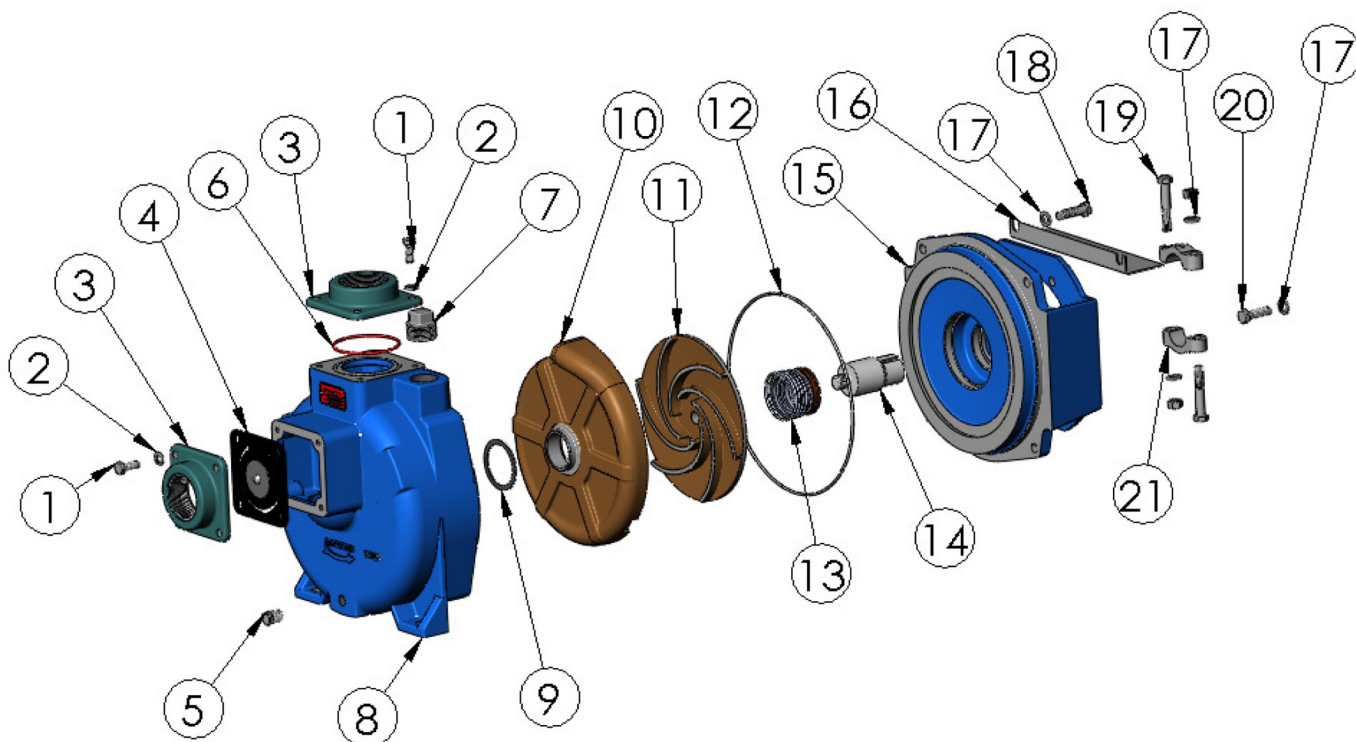
Suction And Discharge	2" x 2" NPT
Flow	Flows to 150 GPM
Head Feet	Up to 250 TDH
Impeller	Silicon Bronze CA 875
Drive Options	Close coupled 184TC, Close coupled 215TC, Engine Drive, Hydraulic Drive
Seal	Carbon/Ceramic/Viton-Type 21, Other Seals Available
Housing	Cast Iron Class 30 or Silicon Bronze CA 875
Abs Type Approved	Yes
46 Cfr Compliant	Yes
Mounting Options	Close Coupled to NEMA "C" Face Motor Frame, Pedestal, PumPak®
Adaptor	Cast Iron Class 30 or Silicon Bronze CA 875

HHLF "HIGH OUTPUT"



34800 BENNETT - FRASER, MI 48026-1686
 (586) 293-8240 - FAX (586) 293-8469
 (800) 563-8006 - www.mppumps.com

HHLF "HIGH OUTPUT"

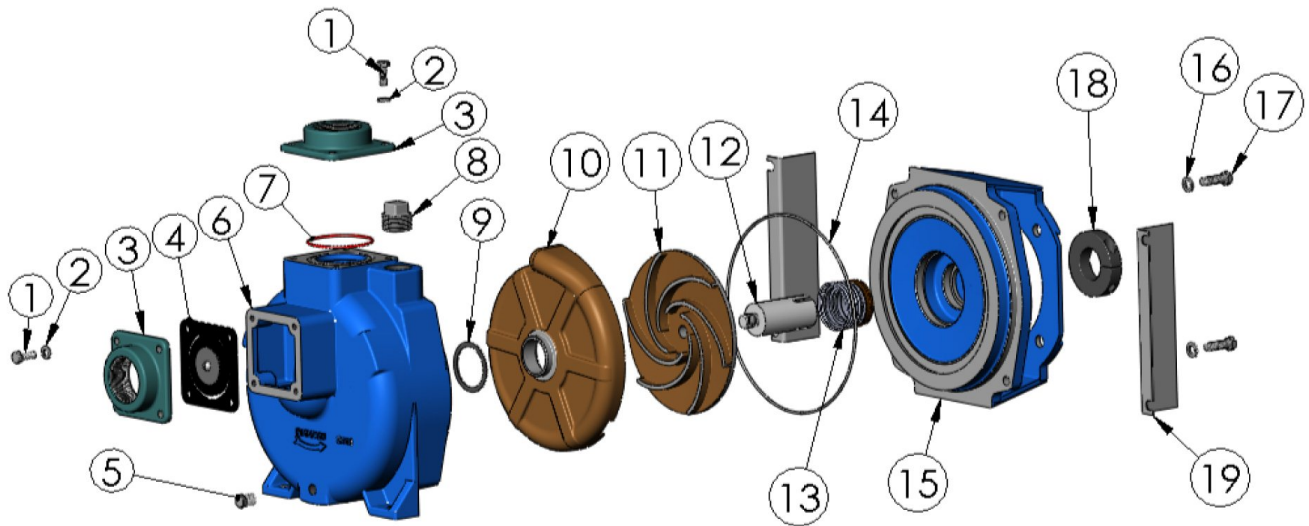


ITEM NO.	PART NO.	DESCRIPTION	QTY.		ITEM NO.	PART NO.	DESCRIPTION	QTY.
1	21242	CAPSCREW - 5/16"-18 X 7/8" - S.S.	8	*	12	28907	O-RING - AS-568-175 - VITON	1
2	21238	LOCKWASHER - 5/16" - S.S.	8	*	13	29533	SEAL - Ø1.5 T-21	1
3	22311	FLANGES- 2" N.P.T. - CAST	2		14	38825	DRIVE SLEEVE S.S. - Ø1.0"	1
*	4	23022	FLAPPER ASSEMBLY	1	15	38094	ADAPTER C.I. - PEM	1
5	41475	PIPE PLUG - 1/4" N.P.T. - STL	1	16	29192	CLAMP GUARD - STEEL	1	
*	6	37141	O-RING - VITON	1	17	21266	LOCKWASHER - 3/8" - S.S.	10
7	41483	PIPE PLUG - 1" N.P.T.	1	18	21259	HEX HD. CAPSCREW S.S. - 3/8-16 X	4	
8	35109	HOUSING - CAST	1	19	21269	HEX HD. CAPSCREW S.S. - 3/8-16 X	2	
*	9	28908	GASKET - VITON	1	20	21274	CAPSCREW S.S. - 3/8"-16 X 1.25	4
10	38051	VOLUTE B	1	21	22356	CLAMP S.S. - 1"	2	
11	38049	IMPELLER B - Ø7.50	1					

* SUGGESTED REPLACEMENT PARTS



34800 BENNETT - FRASER, MI 48026-1686
 (586) 293-8240 - FAX (586) 293-8469
 (800) 563-8006 - www.mppumps.com

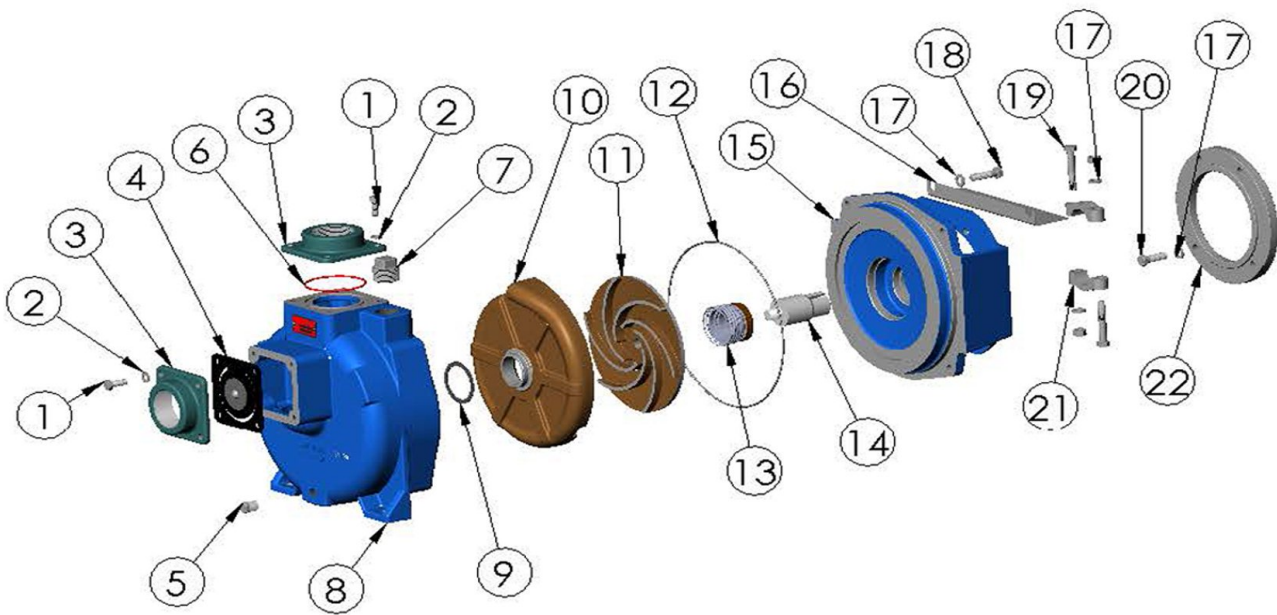


ITEM NO.	PART NO.	DESCRIPTION	QTY.	ITEM NO.	PART NO.	DESCRIPTION	QTY.
1	21242	CAPSCREW - 5/16"-18 X 7/8" - S.S.	8	11	38049	IMPELLER B - Ø7.50	1
2	21238	LOCKWASHER - 5/16" - S.S.	8	12	38090	DRIVE SLEEVE S.S. - Ø1.38"	1
3	22311	FLANGES- 2" N.P.T. - CAST	2	* 13	29533	SEAL - Ø1.5 T-21	1
* 4	23022	FLAPPER ASSEMBLY	1	* 14	28907	O-RING - AS-568-175 - VITON	1
5	41475	PIPE PLUG - 1/4" N.P.T. - STL	1	15	38091	ADAPTER C.I. - CC MTR	1
6	35109	HOUSING - CAST	1	16	21266	LOCKWASHER - 3/8" - S.S.	6
* 7	37141	O-RING - VITON	1	17	21274	CAPSCREW - 3/8"-16 X 1.25 - S.S.	4
8	41483	PIPE PLUG - 1" N.P.T.	1	18	31312	CLAMP STL. - 1.5 I.D.	1
* 9	28908	GASKET - VITON	1	19	29192	CLAMP GUARD - STEEL	2
10	38051	VOLUTE B	1				

* SUGGESTED REPLACEMENT PARTS



38088



ITEM NO.	PART NO.	DESCRIPTION	QTY.		ITEM NO.	PART NO.	DESCRIPTION	QTY.
1	21242	CAPSCREW - 5/16"-18 X 7/8" - S.S.	8	*	12	28907	O-RING - AS-568-175 - VITON	1
2	21238	LOCKWASHER - 5/16" - S.S.	8	*	13	29533	SEAL - Ø1.5 T-21	1
3	22311	FLANGES- 2" N.P.T. - CAST	2		14	28825	DRIVE SLEEVE S.S. - Ø1.0"	1
*	4	23022	FLAPPER ASSEMBLY	1	15	38094	ADAPTER C.I. - PEM	1
5	41475	PIPE PLUG - 1/4" N.P.T. - STL	1		16	29192	CLAMP GUARD - STEEL	1
*	6	37141	O-RING - VITON	1	17	21266	LOCKWASHER - 3/8" - S.S.	10
7	41483	PIPE PLUG - 1" N.P.T.	1		18	21259	HEX HD. CAPSCREW S.S. - 3/8-16 X	4
8	35109	HOUSING - CAST	1		19	21269	HEX HD. CAPSCREW S.S. - 3/8-16 X	2
*	9	28908	GASKET - VITON	1	20	21274	CAPSCREW S.S. - 3/8"-16 X 1.25	4
10	38051	VOLUTE B	1		21	22356	CLAMP S.S. - 1"	2
11	38049	IMPELLER B - Ø7.50	1		22	29339	ADAPTER PLATE STL - W/ENGINE	1
					NOT SHOWN	22655	HEX HD. JAM NUT - S.S.	1
					NOT SHOWN	39530	METRIC LWASHER - S.S.	1

* SUGGESTED REPLACEMENT PARTS



34800 BENNETT - FRASER, MI 48026-1686
 (586) 293-8240 - FAX (586) 293-8469
 (800) 563-8006 - www.mppumps.com

HHLF "HIGH OUTPUT"