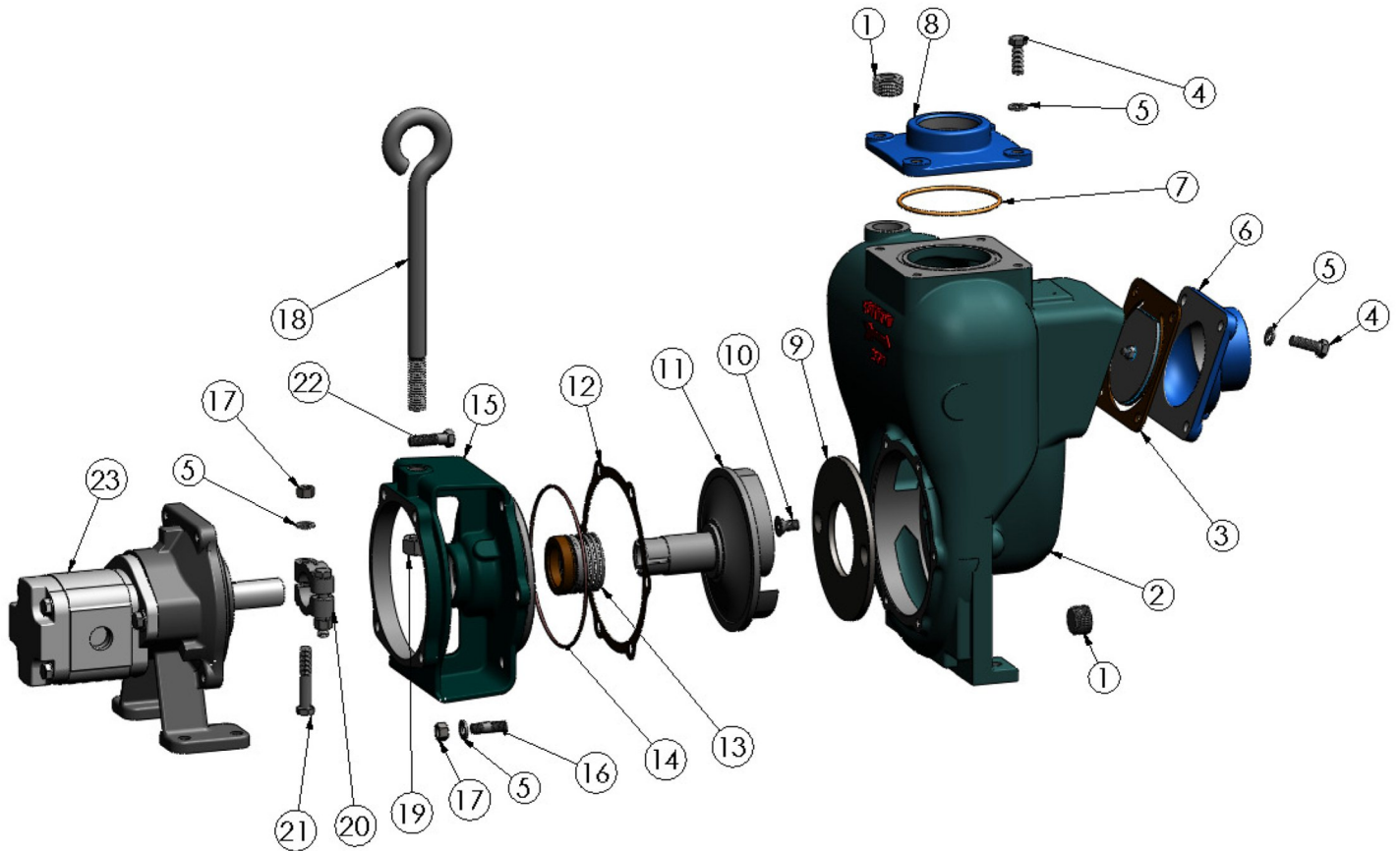


28552



ITEM NO.	PART NO.	DESCRIPTION	QTY.	ITEM NO.	PART NO.	DESCRIPTION	QTY.
1	41481	PIPE PLUG C.I. - 3/4" NPT	2	13	22361	SEAL ASSY 1.5 TYPE 21 - VITON	1
2	22351	HOUSING C.I.	1	14	29715	O RING - VITON	1
3	23040	FLAPPER ASSY. BUNA	1	AA	22348	ADAPTER C.I.	1
4	21291	CAPSCREW S.S. - 3/8-16 X 1.13	8	16	21260	STUD 3/8-16 X 1.32 S.S.	6
5	21266	LOCKWASHER S.S. - 3/8	8	17	21268	HEXNUT S.S. - 3/8-16	6
6	22369	SUCTION FLANGE - C.I.	1	18	22460	LIFTEYE ZPS. - 5/8-11 X 10"	1
7	37138	O RING	1	19	22461	HEXNUT S.S. - 5/8-11	1
8	22372	DISCHARGE FLANGE - C.I.	1	20	22356	CLAMP S.S. - 1"	2
9	22244	WEAR PLATE STEEL	1	21	21269	CAPSCREW S.S. - 3/8-16 X 2.25	2
10	37115	FLAT HD SCREW S.S. - 3/8-16	2	22	21259	HEX HEAD S.S. - 3/8-16	4
11	24721	IMPELLER DUCTILE - 5.75 DIA.	1	23	28551	PEDESTAL ASSY. - ULTRA	1
12	22240	GASKET .032 - NI-2085	1				

*RECOMMENDED REPLACEMENT PARTS



34800 BENNETT • FRASER, MI 48026-1686
 (586) 293-8240 • FAX (586) 293-8469
 (800) 563-8006 • www.mppumps.com