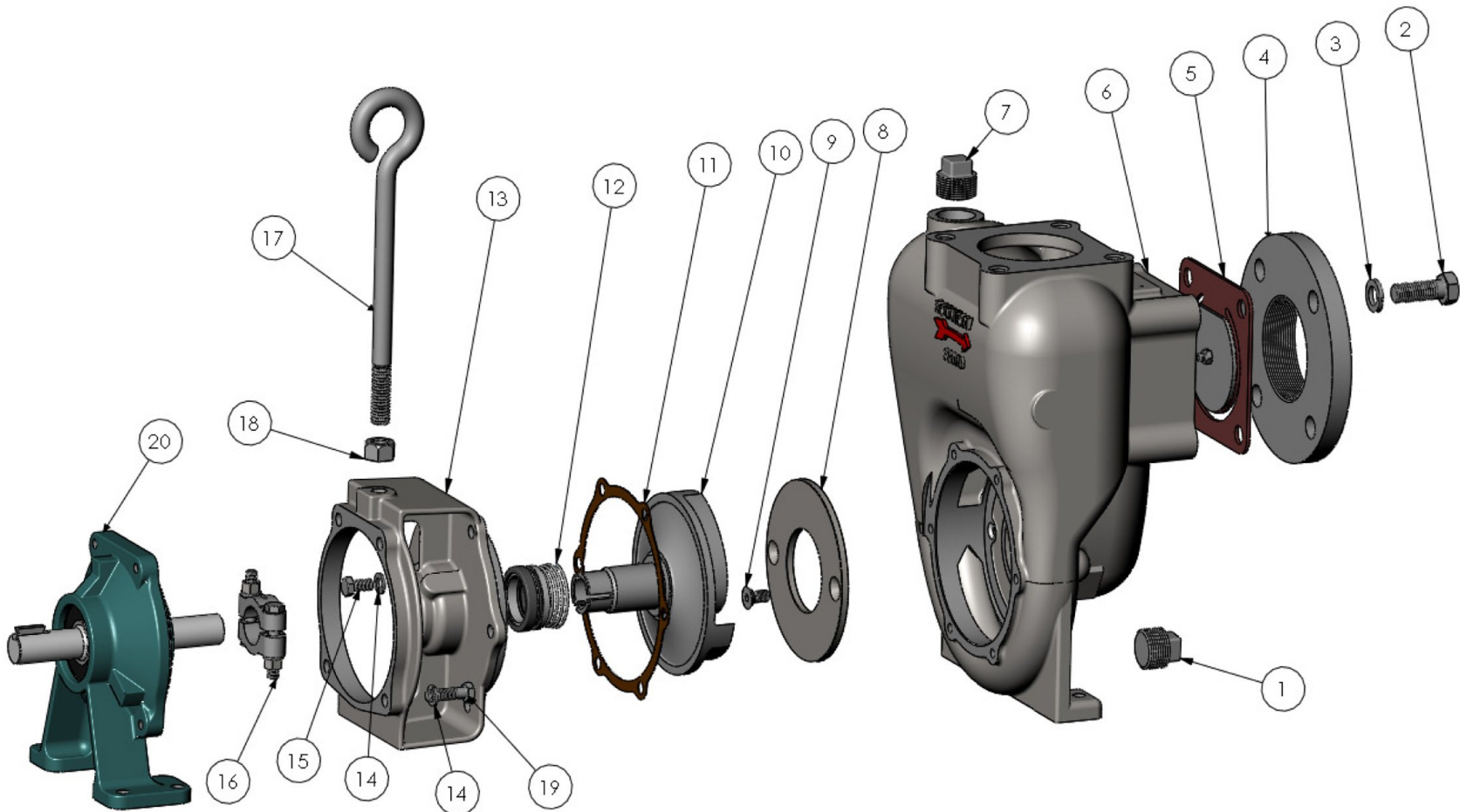


34793



ITEM NO.	PART NO.	DESCRIPTION	QTY.		ITEM NO.	PART NO.	DESCRIPTION	QTY.
1	34780	PIPE PLUG- 1" NPT	1	*	11	22240	GASKET - NI-2085	1
2	36606	H.H. CAPSCREW S.S. - 5/8-11 X 1.75"	4	*	12	22361	SEAL ASSY. - 1.5" VITON TYPE 21	1
3	26853	LOCK WASHER S.S. - 5/8	4		13	38038	ADAPTER- S.S.	1
4	38027	FLANGE SUCTION S.S. - 150# CLASS	1		14	21266	LOCK WASHER S.S. - 3/8	12
*	5	38077	FLAPPER ASS'Y - VITON	1	15	25663	H.H. CAPSCREW S.S. - 3/8-16 X .75"	6
6	38011	HOUSING S.S.	1		16	23039	CLAMP ASSY. S.S. - 1"	1
7	34780	PIPE PLUG- 1" NPT	1		17	22460	LIFT EYE ZPS - 5/8-11 X 10"	1
*	8	27979	WEAR PLATE S.S.	1	18	22461	HEX NUT STL. - 5/8-11	1
9	37115	FLAT HD. SCR. S.S. - 3/8-16 X .75"	2		19	21291	H.H. CAPSCREW S.S. - 3/8-16 X .75"	4
10	38070	IMPELLER - 6.0" S.S. 3 BLADE	1		20	26163	PEDESTAL ASSY. C. - LARGE H. DUTY	1

* - RECOMMENDED REPLACEMENT PARTS